

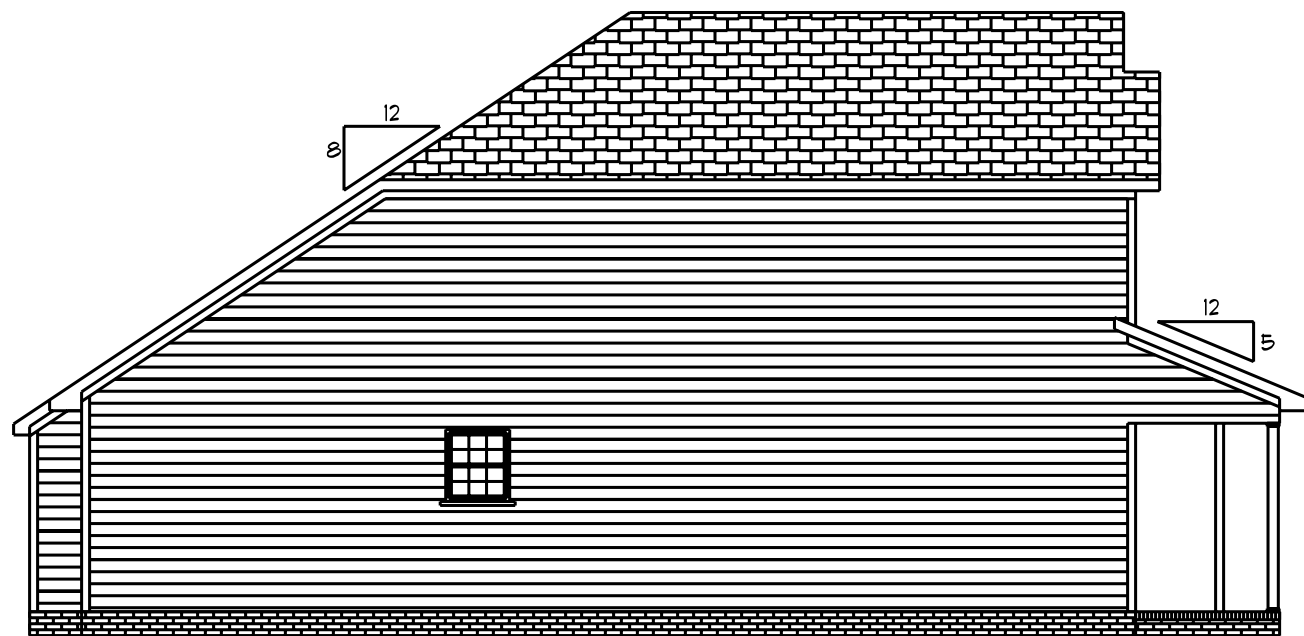
Front Elevation

Scale: 1/4" = 1'0"



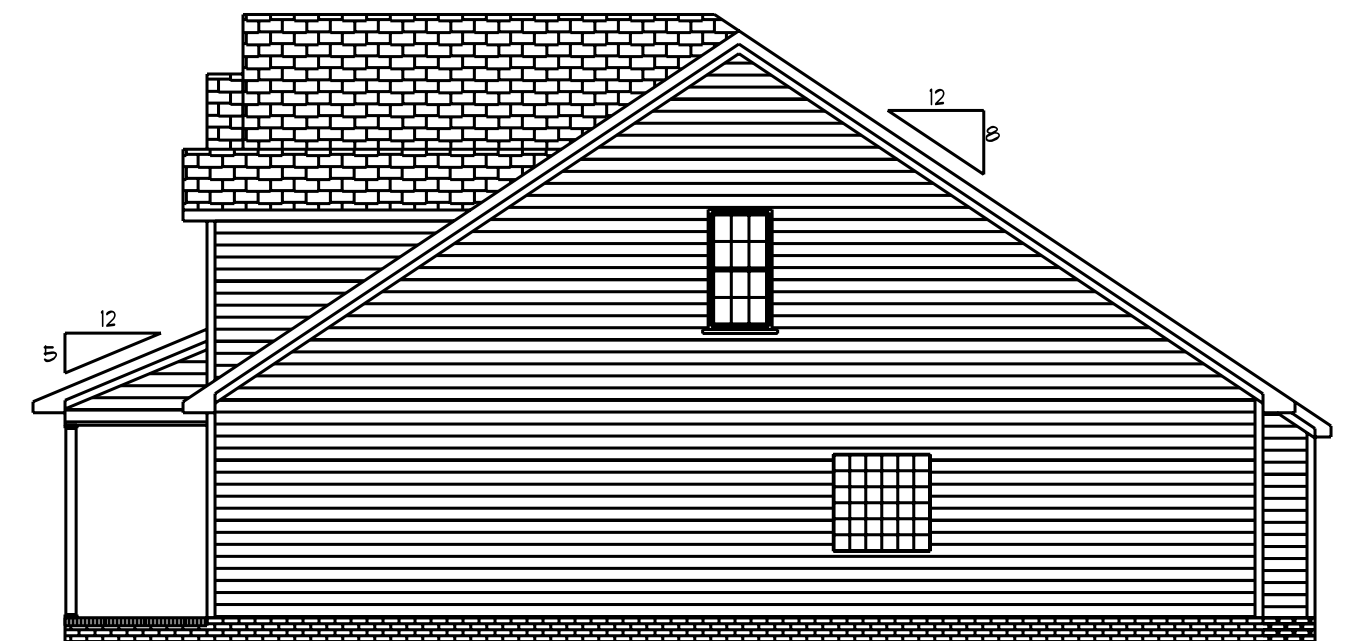
Rear Elevation

Scale: 1/8" = 1'0"



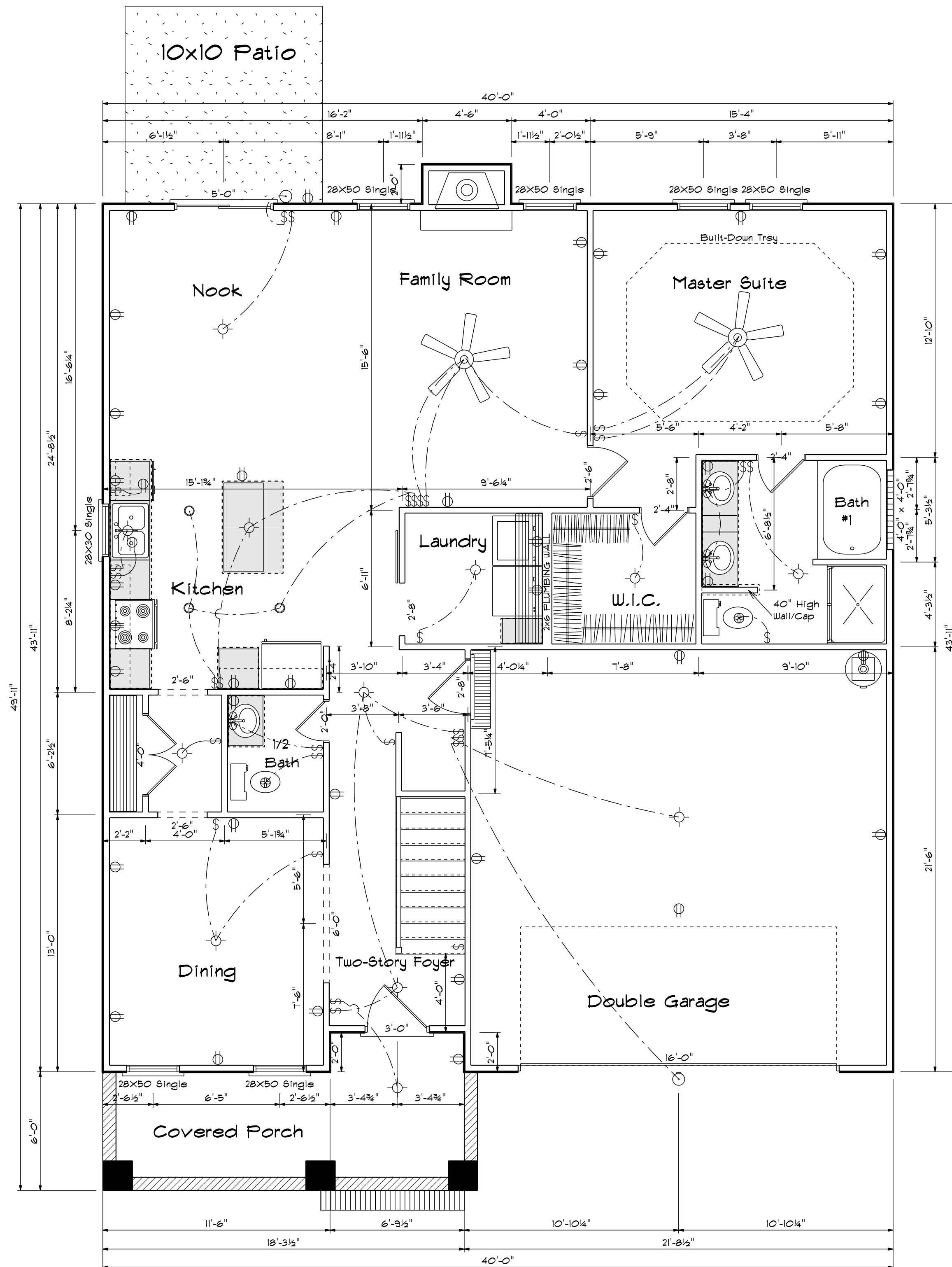
Left Elevation

Scale: 1/8" = 1'0"

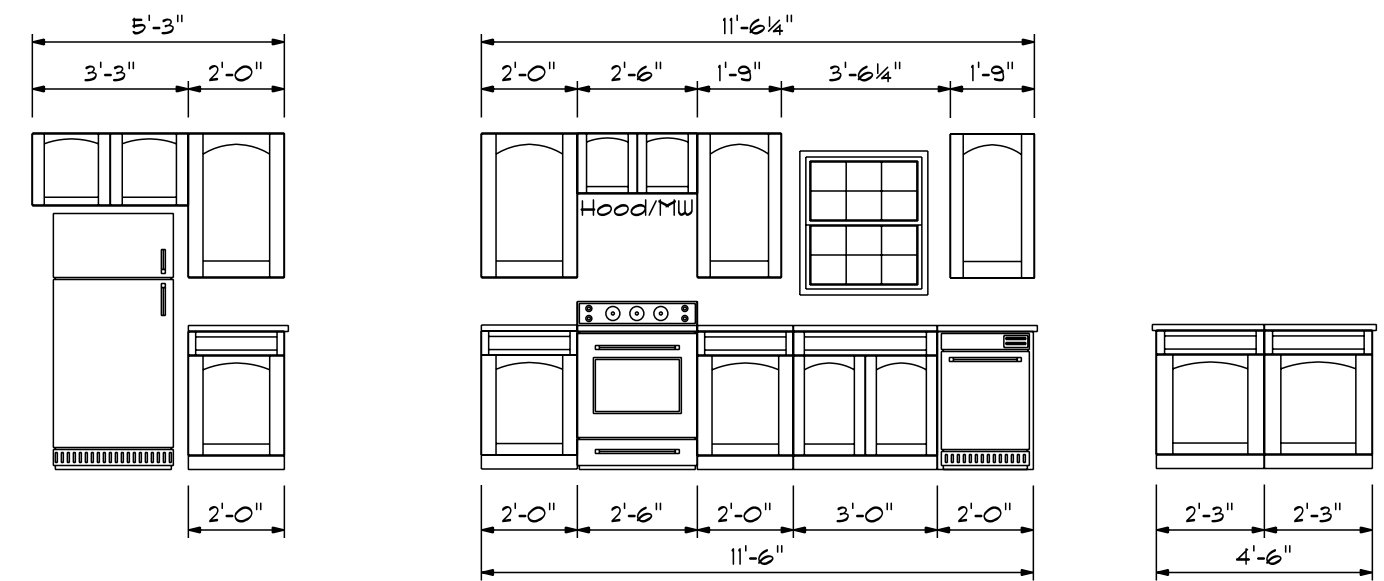


Right Elevation

Scale: 1/8" = 1'0"



### Kitchen Cabinets



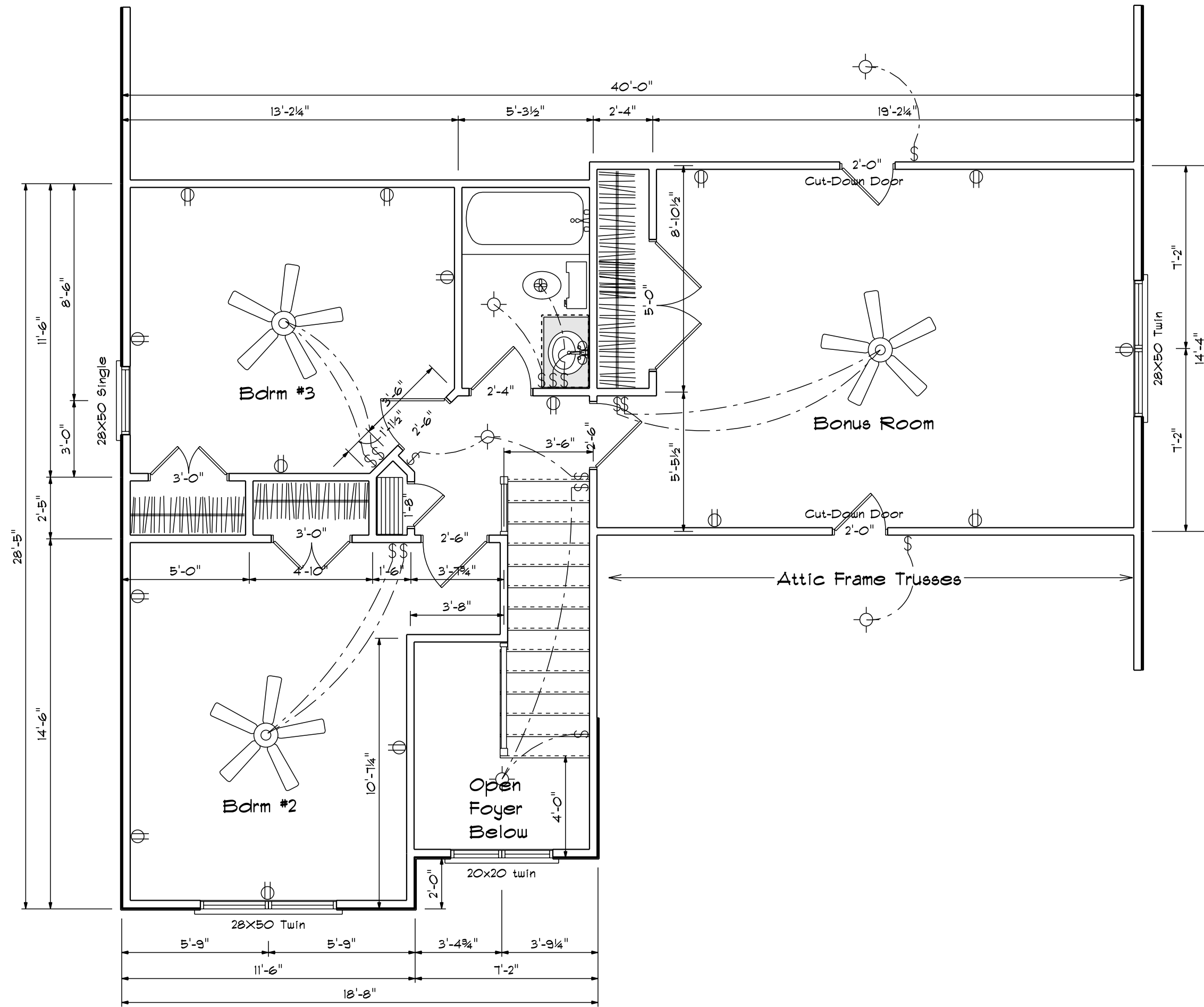
FIRST FLOOR OPENING SCHEDULE			
PRODUCT CODE	SIZE	HINGE	COUNT
36X80 COLONIAL A 1	3'-0"	R	1
192X84 - 2 PANEL	16'-0"	U	1
60X80 SLIDING FRENCH 2	5'-0"	NN	1
4-0 DBL HUNG DOOR UNIT	4'-0"	LR	1
2-0 DOOR UNIT	2'-0"	R	1
2-4 DOOR UNIT	2'-4"	L	2
2-4 DOOR UNIT	2'-4"	R	1
2-0 DOOR UNIT	2'-6"	R	1
2-8 DOOR UNIT	2'-8"	L	1
2-8 DOOR UNIT	2'-8"	R	1
2-8X3-0 Single Window unit	2'-8" x 3'-0"	N	1
2-8X5-0 Single Window unit	2'-8" x 5'-0"	N	6
8X8 GLASS BLOCK	4'-0" x 4'-0"	N	1

### Areas

First Floor 9' Ceiling  
 Second Floor 8' Ceiling  
 First Floor 1283+  
 Second Floor 751+  
 =====  
 Total Heated 2034+  
 Garage 458+  
 Porch 132+

## First Floor Plan

Scale: 1/4" = 1'-0"

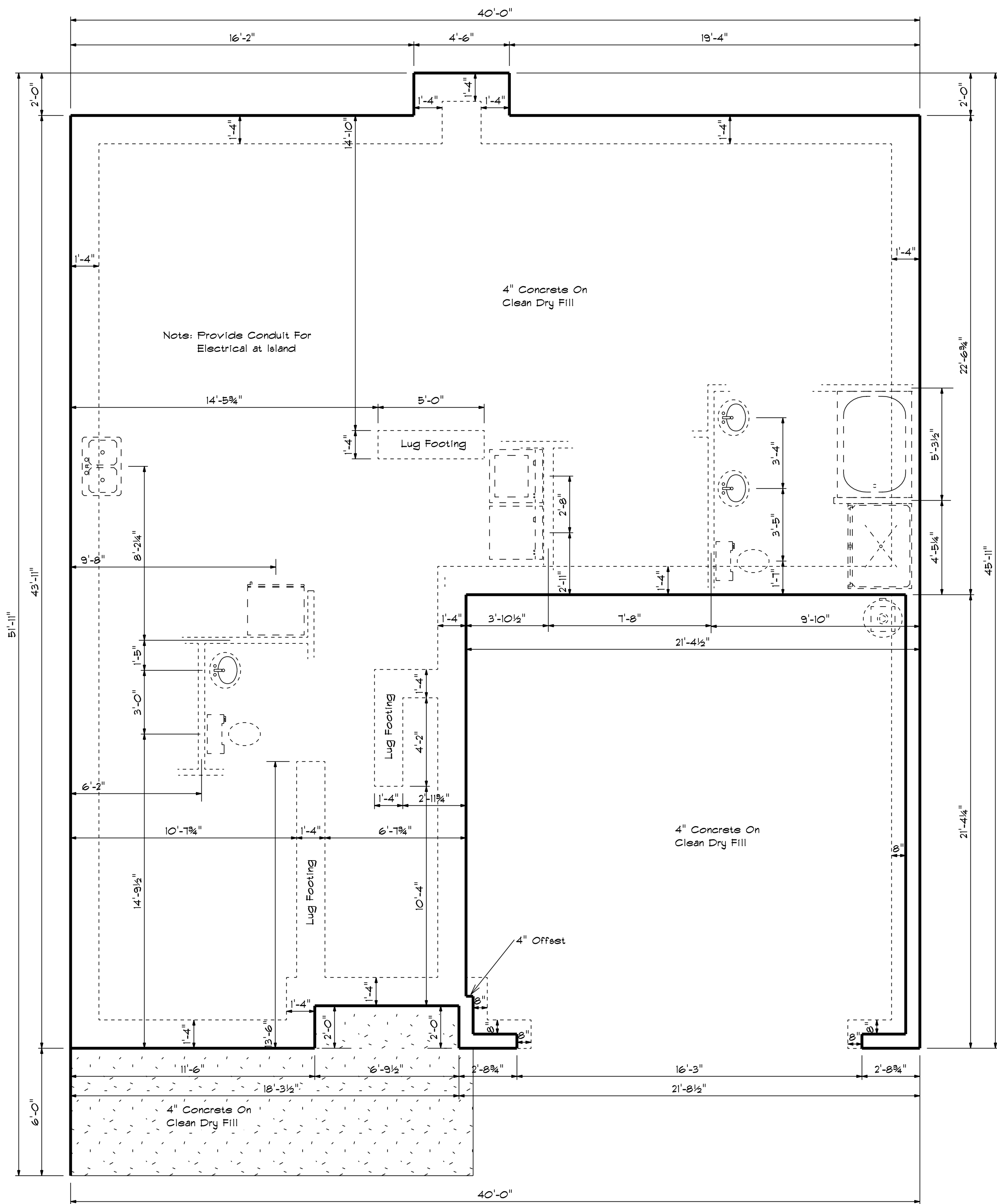


## Second Floor Plan

Scale: 1/4" = 1'-0"

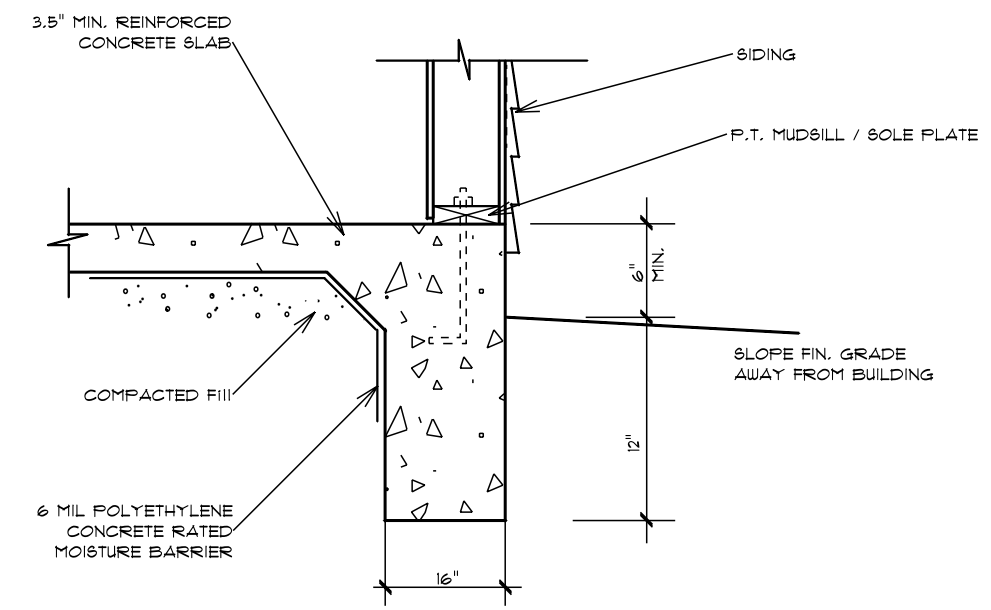
### Second Floor Openings

PRODUCT CODE	SIZE	HINGE DIRECTION	COUNT	R.O. WIDTH
1-8 DOOR UNIT	1'-8"	R	1	1'-10"
2-4 DOOR UNIT	2'-4"	L	1	2'-6"
2-6 DOOR UNIT	2'-6"	L	1	2'-8"
2-6 DOOR UNIT	2'-6"	R	2	2'-8"
3-0 doublehung unit	3'-0"	LR	2	3'-2"
2-0X2-0 Twin Window	4'-0" x 3'-0"	NA	1	4'-0"
2-8X5-0 Single Window	2'-8" x 5'-0"	N	1	2'-8"
2-8X5-0 Twin Window	5'-4" x 5'-0"	NA	2	5'-4"

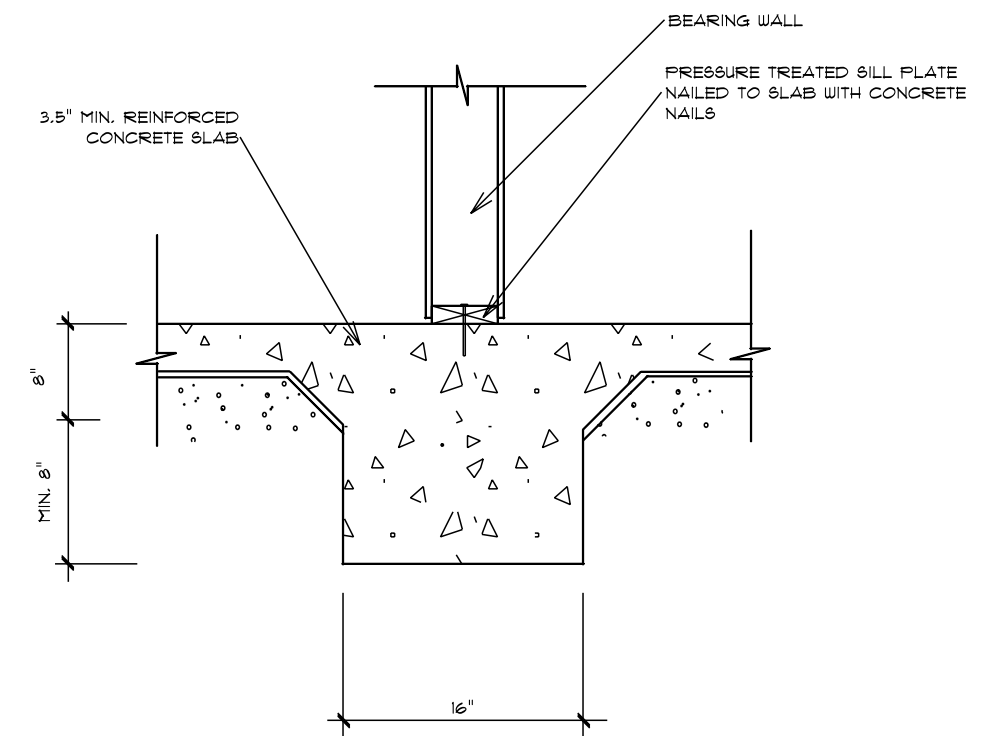


## Foundation Plan

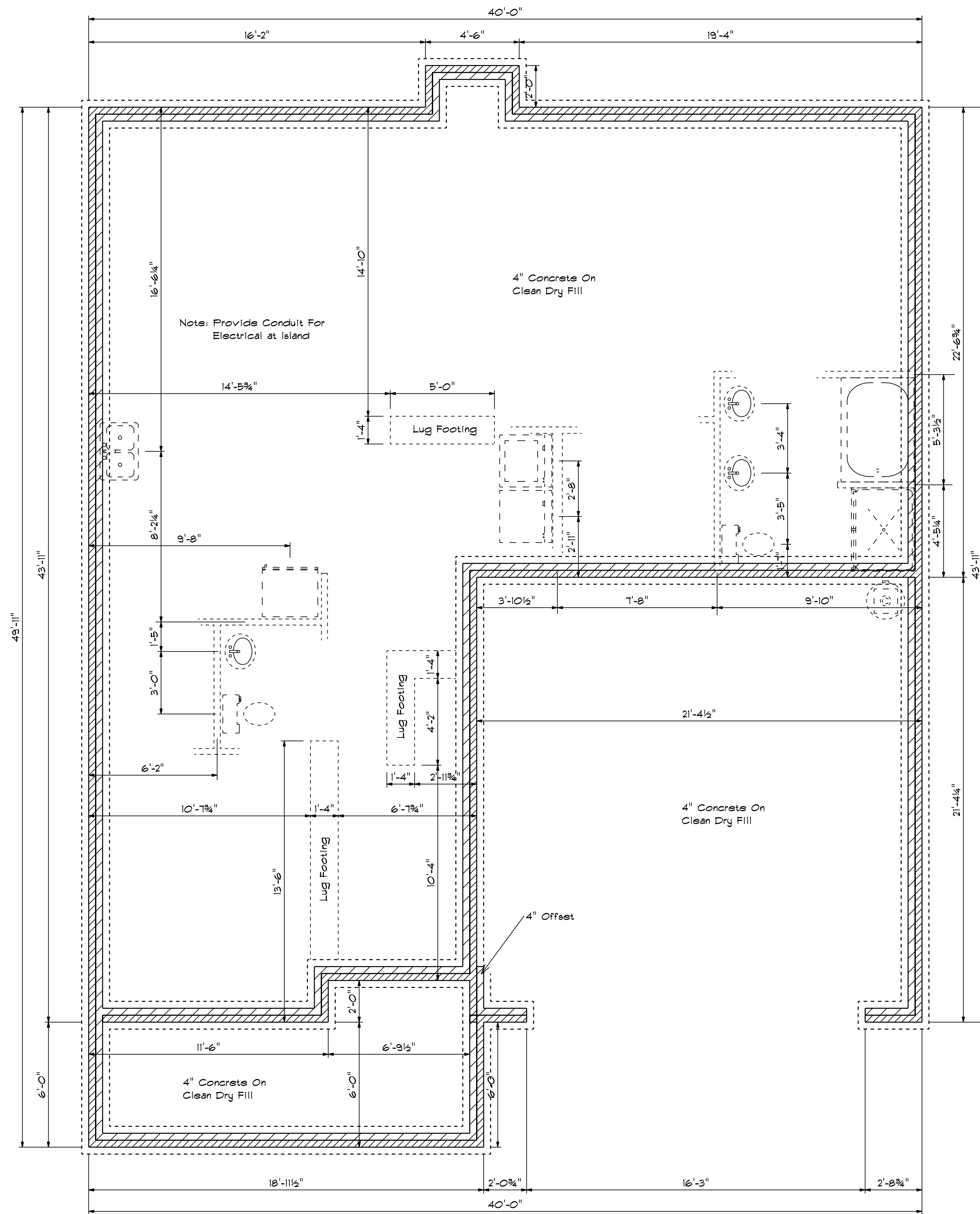
Scale: 1/4" = 1'-0"



TURN-DOWN FOOTING DETAIL



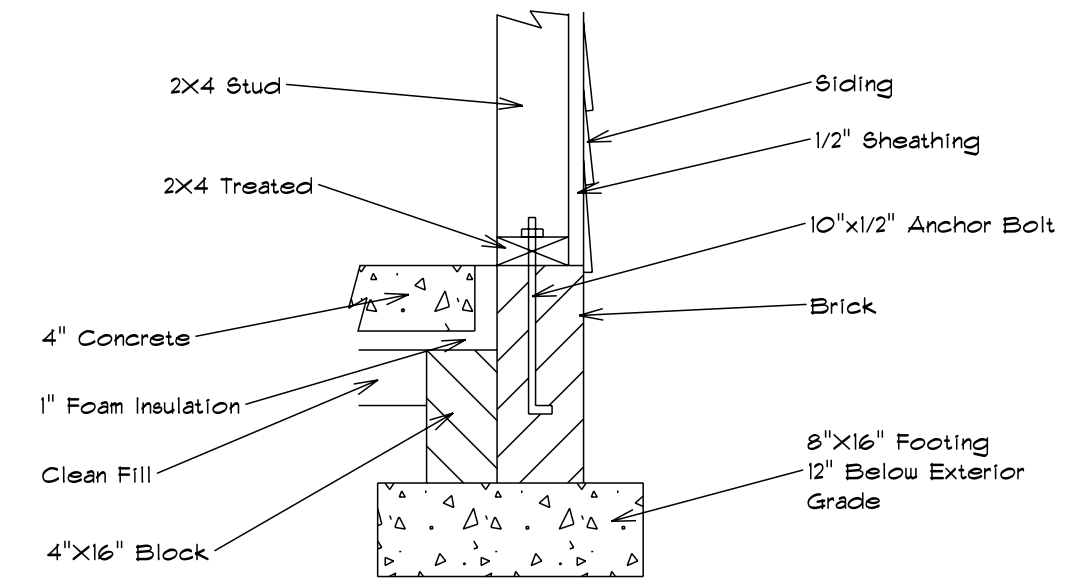
INTEGRAL SLAB FOOTING DETAIL AT BEARING WALL



### Foundation Plan

Scale: 1/4" = 1'-0"

### Foundation Detail Siding



### Lug Footing Detail

