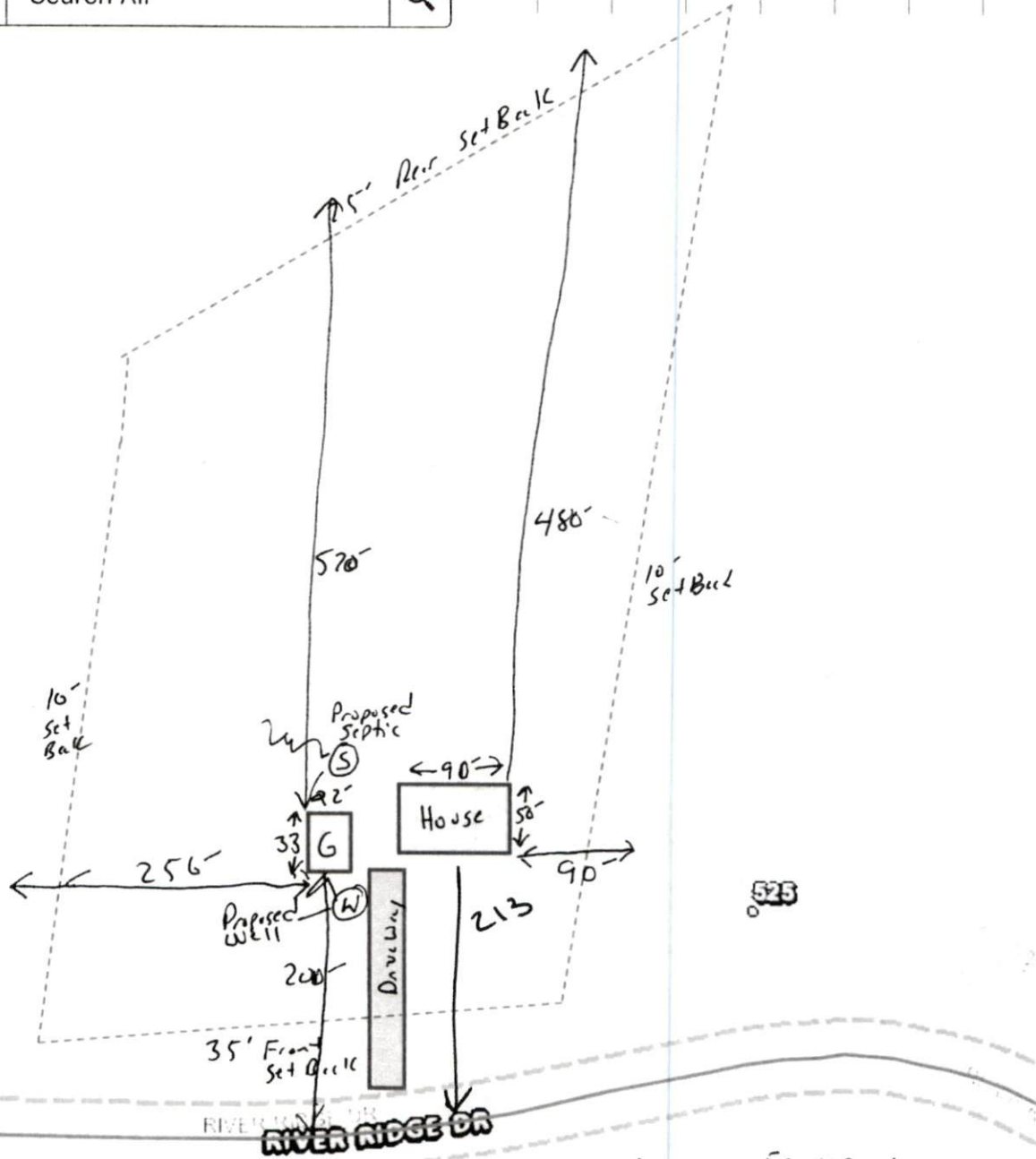


Search All [Q]



SITE PLAN APPROVAL

DISTRICT RA30 USE SFD

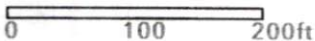
#BEDROOMS 3

5-1-20 K.A.G.

ADMINISTRATOR

Mabus Farm +
 General Contracting LLC
 910-992-8180
 PIN: 0612-39-5861
 Lot 425 River Ridge Dr.
 Broadway NC 27505

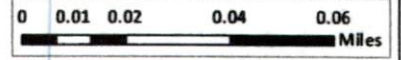
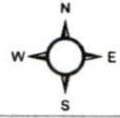
Setn Mabus



Harnett GIS

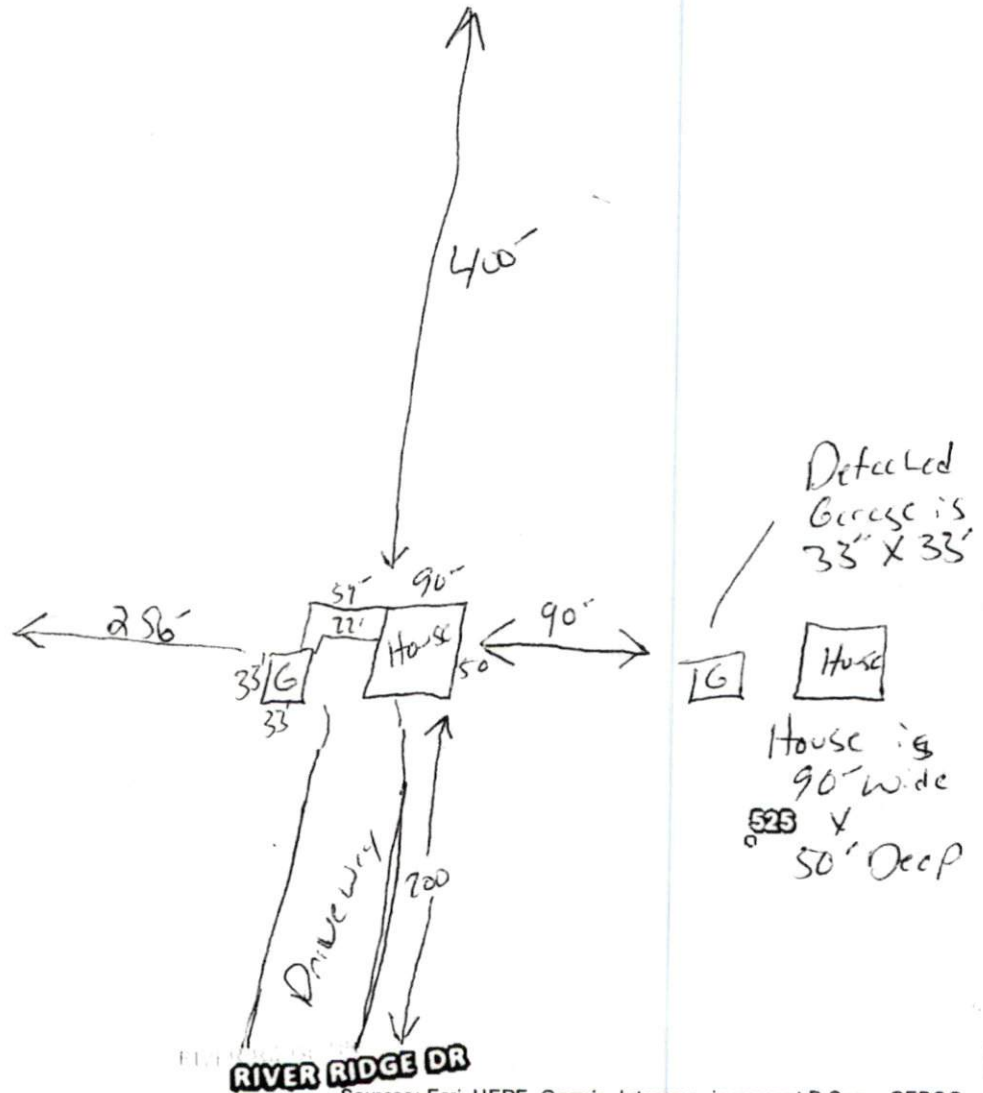


GIS/E-911 Addressing
April 28, 2020



1 inch = 188 feet

NOT FOR LEGAL USE



Sources: Esri, HERE, Garmin, Intermap, increment P Corp., GEBCO, USGS, FAO, NPS, NRCAN, GeoBase, IGN, Kadaster NL, Ordnance Survey, Esri Japan, METI, Esri China (Hong Kong), (c) OpenStreetMap contributors, and the GIS User Community

LEGEND

Landfills	Address Numbers	US	CapeFearRiver
Surrounding County Boundaries	Airport	Roads	
Federal Property	MajorRoads	Mile_Markers	
City Limits	Interstate	Railroad	
Harnett County Boundary	NC	Parcels	