

All Walls Shown Are Considered Load Bearing

- Dimension Notes
1. All exterior wall to wall dimensions are to the exterior face of the wall.
 2. All interior wall dimensions are to the face of the wall unless noted otherwise.
 3. All truss to truss dimensions are to the centerline of the truss unless noted otherwise.

Product	Box Storage	2nd Floor Layout	Drop Beam
HUS26	USP	11	NA

Product	Supported Member	Header	Truss
HUS26	USP	11	NA

Product	Product	Piles	Net Qty
BM1	16'0" 1-3/4" x 16" LVL Keris-S	2	2
BM2	8'0" 2x10 SPF No.2	2	2
GDN	22'0" 1-3/4" x 18" LVL Keris-S	3	3

1 Truss Placement Plan
Scale: 1/4"=1'

△ = Indicates Left End of Truss (Reference Engineered Truss Drawing)
Do NOT Erect Truss Backwards

Reilly Road Industrial Park
Fayetteville, N.C. 28309
Phone: (910) 864-8787
Fax: (910) 864-4444

Signature: *David Landry*
David Landry

LOAD CHART FOR JACK STUDS

MEMBER OR JOINT NUMBER	REACTION (k)	REACTION (lb)
1700 1	2950	3400
1700 2	3100	3600
5100 3	7500	8800
6800 4	10200	12000
8200 5	12750	15000
10200 6	15300	18000
11500 7	15300	18000
13300 9	15300	18000

BUILDER	Ben Stout Real Estate	CITY / CO.	Harnett County / Harnett
JOB NAME	Lot 39 Blackberry Manor	ADDRESS	39 Kotata Ave
PLAN	Appleton / BBH-2034	MODEL	Roof
SEAL DATE	N/A	DATE REV.	03/13/20
QUOTE #	Quote #	DRAWN BY	David Landry
JOB #	J0320-1189	SALES REP.	Marshall Naylor

Action Summary of Order



ROOF & FLOOR TRUSSES & BEAMS
 1000 Highway Road Industrial Park P.O. Box 40408
 Fayetteville, N.C. 28309 (910) 864-TRUS
 My Office: (919) 816-0105

REQ. QUOTE DATE	/ /	ORDER #	J0320-1189
ORDER DATE	03/13/20	QUOTE #	
DELIVERY DATE	/ /	CUSTOMER ACCT #	0000007060
DATE OF INVOICE	/ /	CUSTOMER PO #	
ORDERED BY	Ben Stout	INVOICE #	
COUNTY	Harnett	TERMS	
SUPERINTENDANT	Ben Stout	SALES REP	Marshall Naylor
JOBSITE PHONE #	(910) 476-4502	SALES AREA	David Landry

Benjamin Stout Real Estate PO Box 53798 Fayetteville, NC 28305 (910) 476-4502	JOB NAME: Lot 39 Blackberry Manor MODEL: Roof DELIVERY INSTRUCTIONS:	LOT # 39 SUBDIV: Blackberry Manor TAG: Appleton / BBH-2034 JOB CATEGORY: Residential - Roof
	Ben Stout Real Estate 39 Kotata Ave Harnett County, NC	SPECIAL INSTRUCTIONS: Lot 8 Barrington Place

BUILDING DEPARTMENT of Order	OVERHANG INFO END CUT RETURN	HEEL HEIGHT 00-06-08	REQ. LAYOUTS	REQ. ENGINEERING	QUOTE DTL DATE LAYOUT DTL 03/13/20 CUTTING DTL 03/13/20
	GABLE STUDS 16 IN. OC	20.0,10.0,0.0,10.0	JOBSITE 1	JOBSITE 1	

ROOF TRUSSES **LOADING INFORMATION** **ROOF TRUSS SPACING: 24.0 IN. O.C. (TYP.)**

TCLL-TCDL-BCLL-BCDL STRESS INCR. 20.0,10.0,0.0,10.0 1.15

PROFILE	QTY	PITCH		TYPE ID	BASE O/A	LUMBER		OVERHANG		REACTIONS
		TOP	BOT			TOP	BOT	LEFT	RIGHT	
	10	8.00	0.00	ATTIC A1	43-10-00 43-10-00	2 X 6	2 X 10	00-11-00	00-11-00	Joint 2 Joint 12 Joint 16 Joint 18 2229.8 lbs. 2093.6 lbs. 678.5 lbs. 1036.8 lbs. -20.5 lbs. 10.1 lbs. -355.8 lbs. 108.9 lbs.
	1	8.00	0.00	GABLE A1GE	43-10-00 43-10-00	2 X 6	2 X 10	00-11-00	00-11-00	Joint 2 Joint 28 Joint 38 Joint 40 2227.5 lbs. 2094.4 lbs. 669.6 lbs. 1051.9 lbs. -313.1 lbs. -251.5 lbs. -469.6 lbs. 72.0 lbs.
	2	8.00	0.00	MONOPITCH A2	15-03-12 15-03-12	2 X 6	2 X 6	00-11-00	00-03-08	Joint 2 Joint 7 667.8 lbs. 639.4 lbs. 39.0 lbs. -178.2 lbs.
	7	8.00	0.00	MONOPITCH A3	15-03-12 15-03-12	2 X 6	2 X 6	00-11-00		Joint 2 Joint 8 651.3 lbs. 654.3 lbs. 44.0 lbs. -184.9 lbs.
	1	8.00	0.00	HALF HIP A3GE	15-03-12 15-03-12	2 X 6	2 X 6	00-11-00		Joint 2 Joint 13 Joint 14 Joint 15 Joint 16 360.1 lbs. 33.2 lbs. 67.2 lbs. 252.8 lbs. 277.2 lbs. -87.8 lbs. -21.7 lbs. -9.8 lbs. -69.7 lbs. -92.2 lbs.
	5	8.00	0.00	COMMON B1	18-07-00 18-07-00	2 X 6	2 X 6	00-11-00	00-11-00	Joint 2 Joint 4 785.6 lbs. 785.6 lbs. -50.3 lbs. -50.3 lbs.
	1	8.00	0.00	GABLE B1SG	18-07-00 18-07-00	2 X 6	2 X 6	00-11-00	00-11-00	Joint 2 Joint 10 Joint 14 Joint 15 Joint 16 188.1 lbs. 564.3 lbs. 256.6 lbs. 225.0 lbs. 220.6 lbs. -8.3 lbs. -115.6 lbs. 74.9 lbs. -180.9 lbs. -105.2 lbs.
	4	8.00	0.00	COMMON B2	18-07-00 18-07-00	2 X 6	2 X 6		00-11-00	Joint 1 Joint 3 730.3 lbs. 787.0 lbs. -37.5 lbs. -50.4 lbs.
	1	-8.00	0.00	ROOF B3	18-03-08 18-03-08	2 X 6	2 X 6		00-11-00	Joint 4 Joint 8 766.9 lbs. 738.9 lbs. -28.2 lbs. -87.0 lbs.
	1	-8.00	0.00	ROOF B4	18-03-08 18-03-08	2 X 6	2 X 6		00-11-00	Joint 5 Joint 9 766.9 lbs. 738.9 lbs. -26.0 lbs. -86.3 lbs.
	1	-8.00	0.00	ROOF B5	18-03-08 18-03-08	2 X 6	2 X 6		00-11-00	Joint 5 Joint 10 766.9 lbs. 738.9 lbs. -46.0 lbs. -85.7 lbs.

Transaction Summary of Order



ROOF & FLOOR
TRUSSES & BEAMS

1111 Highway Road Industrial Park P.O. Box 40408
Fayetteville, N.C. 28309 (910) 864-TRUS
Fax Office: (919) 816-0105

REQ. QUOTE DATE	/ /	ORDER #	J0320-1189
ORDER DATE	03/13/20	QUOTE #	
DELIVERY DATE	/ /	CUSTOMER ACCT #	0000007060
DATE OF INVOICE	/ /	CUSTOMER PO #	
ORDERED BY	Ben Stout	INVOICE #	
COUNTY	Harnett	TERMS	
SUPERINTENDANT	Ben Stout	SALES REP	Marshall Naylor
JOBSITE PHONE #	(910) 476-4502	SALES AREA	David Landry

Benjamin Stout Real Estate PO Box 53798 Fayetteville, NC 28305 (910) 476-4502	JOB NAME: Lot 39 Blackberry Manor MODEL: Roof TAG: Appleton / BBH-2034 DELIVERY INSTRUCTIONS:	LOT # 39 SUBDIV: Blackberry Manor JOB CATEGORY: Residential - Roof
	SPECIAL INSTRUCTIONS: Lot 8 Barrington Place	

PLAN SEAL DATE: N/A
BY DATE

BUILDING DEPARTMENT of Order	OVERHANG INFO	HEEL HEIGHT	00-06-08	REQ. LAYOUTS	REQ. ENGINEERING	QUOTE	DTL	03/13/20
	END CUT	RETURN				LAYOUT	DTL	03/13/20
	GABLE STUDS	16 IN. OC		JOBSITE 1	JOBSITE 1	CUTTING	DTL	03/13/20

ROOF TRUSSES

LOADING INFORMATION

TCLL-TCDL-BCLL-BCDL	STRESS INCR.
20.0,10.0,0.0,10.0	1.15

ROOF TRUSS SPACING: 24.0 IN. O.C. (TYP.)

PROFILE	QTY PLY	PITCH		TYPE ID	BASE O/A	LUMBER		OVERHANG		REACTIONS				
		TOP	BOT			TOP	BOT	LEFT	RIGHT					
	1	-8.00	0.00	ROOF B6	18-03-08 18-03-08	2 X 6	2 X 6		00-11-00	Joint 5 766.7 lbs. -56.0 lbs.	Joint 10 738.9 lbs. -85.5 lbs.			
	1	8.00	0.00	COMMON C1GE	11-05-00 11-05-00	2 X 6	2 X 6	00-11-00	00-11-00	Joint 2 130.1 lbs. -26.2 lbs.	Joint 8 130.0 lbs. -1.1 lbs.	Joint 10 170.9 lbs. -98.6 lbs.	Joint 11 182.5 lbs. -83.0 lbs.	Joint 12 126.0 lbs. 28.0 lbs.
	6	5.00	0.00	MONOPITCH M1	06-00-00 06-00-00	2 X 6	2 X 6	00-11-00		Joint 2 276.9 lbs. -72.4 lbs.	Joint 4 222.5 lbs. -74.0 lbs.			
	1	5.00	0.00	MONOPITCH M1GE	06-00-00 06-00-00	2 X 6	2 X 6	00-11-00		Joint 2 111.9 lbs. -3.3 lbs.	Joint 6 15.4 lbs. -11.3 lbs.	Joint 7 54.5 lbs. -21.1 lbs.	Joint 8 162.2 lbs. -62.5 lbs.	Joint 9 170.9 lbs. -71.7 lbs.
	3	5.00	0.00	MONOPITCH M2	08-00-00 08-00-00	2 X 6	2 X 6	00-11-00		Joint 2 354.2 lbs. -88.8 lbs.	Joint 6 312.7 lbs. -99.0 lbs.			
	1	5.00	0.00	MONOPITCH M2GE	08-00-00 08-00-00	2 X 6	2 X 6	00-11-00		Joint 2 107.1 lbs. 10.3 lbs.	Joint 10 293.4 lbs. -118.1 lbs.	Joint 11 81.5 lbs. -28.5 lbs.	Joint 12 187.3 lbs. -80.3 lbs.	
	10	8.00	0.00	PIGGYBACK PB	09-11-12 09-11-12	2 X 4	2 X 4			Joint 2 228.5 lbs. -31.6 lbs.	Joint 4 228.5 lbs. -40.1 lbs.	Joint 6 401.0 lbs. 6.9 lbs.		
	1	8.00	0.00	GABLE PBGE	09-11-12 09-11-12	2 X 4	2 X 4			Joint 2 138.0 lbs. -22.9 lbs.	Joint 6 138.0 lbs. -23.7 lbs.	Joint 8 276.6 lbs. -136.7 lbs.	Joint 9 103.9 lbs. 20.4 lbs.	Joint 10 277.5 lbs. -137.5 lbs.

TEMS

QTY	ITEM TYPE	SIZE	LENGTH FT-IN-16	PART NUMBER	NOTES
11	Hangers, USP	HUS 26			SIMPSON (HUS26)

RE: J0320-1189
 Lot 39 Blackberry Manor

Trenco
 818 Soundside Rd
 Edenton, NC 27932

Site Information:

Customer: Project Name: J0320-1189
 Lot/Block: Model:
 Address: Subdivision:
 City: State:

General Truss Engineering Criteria & Design Loads (Individual Truss Design Drawings Show Special Loading Conditions):

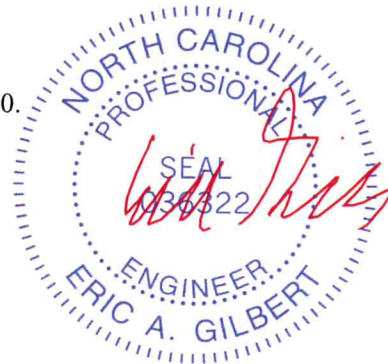
Design Code: IRC2015/TPI2014 Design Program: MiTek 20/20 8.1
 Wind Code: ASCE 7-10 Wind Speed: 130 mph
 Roof Load: 40.0 psf Floor Load: N/A psf

This package includes 19 individual, dated Truss Design Drawings and 0 Additional Drawings.

No.	Seal#	Truss Name	Date
1	E13912794	a1	1/2/2020
2	E13912795	a1ge	1/2/2020
3	E13912796	a2	1/2/2020
4	E13912797	a3	1/2/2020
5	E13912798	a3ge	1/2/2020
6	E13912799	b1	1/2/2020
7	E13912800	b1sg	1/2/2020
8	E13912801	b2	1/2/2020
9	E13912802	b3	1/2/2020
10	E13912803	b4	1/2/2020
11	E13912804	b5	1/2/2020
12	E13912805	b6	1/2/2020
13	E13912806	c1ge	1/2/2020
14	E13912807	m1	1/2/2020
15	E13912808	m1ge	1/2/2020
16	E13912809	m2	1/2/2020
17	E13912810	m2ge	1/2/2020
18	E13912811	pb	1/2/2020
19	E13912812	pbge	1/2/2020

The truss drawing(s) referenced above have been prepared by Truss Engineering Co. under my direct supervision based on the parameters provided by Comtech, Inc - Fayetteville. Truss Design Engineer's Name: Gilbert, Eric
 My license renewal date for the state of North Carolina is December 31, 2020.
 North Carolina COA: C-0844

IMPORTANT NOTE: The seal on these truss component designs is a certification that the engineer named is licensed in the jurisdiction(s) identified and that the designs comply with ANSI/TPI 1. These designs are based upon parameters shown (e.g., loads, supports, dimensions, shapes and design codes), which were given to TRENCO. Any project specific information included is for TRENCO customers file reference purpose only, and was not taken into account in the preparation of these designs. TRENCO has not independently verified the applicability of the design parameters or the designs for any particular building. Before use, the building designer should verify applicability of design parameters and properly incorporate these designs into the overall building design per ANSI/TPI 1, Chapter 2.



Job J0320-1189	Truss A1	Truss Type ATTIC	Qty 10	Ply 1	Lot 39 Blackberry Manor E13912794
Comtech, Inc., Fayetteville, NC 28309					Job Reference (optional)

8.130 s Mar 11 2018 MiTek Industries, Inc. Thu Jan 2 07:31:37 2020 Page 1

ID:KHiM10Q_9dy0362zxkFfqAyJzV8-2cUa6B8d1Ow8SNITPzsp0q6l_7y0p0LIC7foJWzzT74

-0-11-0	8-3-8	14-8-4	16-2-0	21-11-0	27-8-0	29-1-12	35-6-8	43-10-0	44-9-0
0-11-0	8-3-8	6-4-12	1-5-12	5-9-0	5-9-0	1-5-12	6-4-12	8-3-8	0-11-0

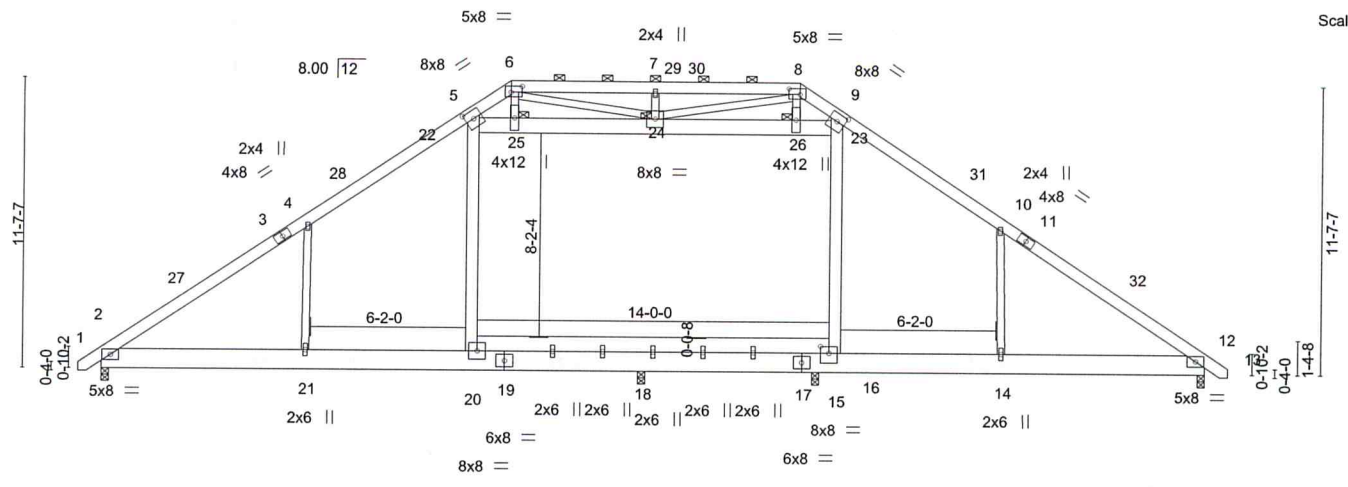


Plate Offsets (X,Y) -	[5:0-4-0,0-3-12], [6:0-5-4,0-2-12], [8:0-5-4,0-2-12], [9:0-4-0,0-3-12], [15:0-4-0,0-3-4], [22:0-2-0,0-3-0], [23:0-2-0,0-3-0]
-----------------------	------------------------------------------------------------------------------------------------------------------------------

LOADING (psf)	SPACING-	CSI.	DEFL.	PLATES	GRIP
TCLL 20.0	2-0-0	TC 0.37	in (loc) l/defl L/d	MT20	244/190
TCDL 10.0	Plate Grip DOL 1.15	BC 0.84	Vert(LL) -0.31 20-21 >818 360		
BCLL 0.0 *	Lumber DOL 1.15	WB 0.65	Vert(CT) -0.56 20-21 >454 240		
BCDL 10.0	Rep Stress Incr YES	Matrix-S	Horz(CT) 0.05 12 n/a n/a		
	Code IRC2015/TPI2014		Wind(LL) 0.25 21 >999 240	Weight: 462 lb	FT = 20%

LUMBER-	BRACING-
TOP CHORD 2x6 SP No.1	TOP CHORD Structural wood sheathing directly applied or 4-2-0 oc purlins, except 2-0-0 oc purlins (6-0-0 max.): 6-8.
BOT CHORD 2x10 SP No.1 *Except* 15-20: 2x8 SP No.1	BOT CHORD Rigid ceiling directly applied or 10-0-0 oc bracing, Except: 8-1-14 oc bracing: 2-21 8-6-8 oc bracing: 20-21.
WEBS 2x4 SP No.3 *Except* 5-20,9-15: 2x6 SP No.1, 22-23: 2x8 SP No.1	JOINTS 1 Brace at Jt(s): 24, 25, 26

REACTIONS. All bearings 0-3-8.
 (lb) - Max Horz 2=272(LC 11)
 Max Uplift All uplift 100 lb or less at joint(s) 2 except 16=356(LC 8)
 Max Grav All reactions 250 lb or less at joint(s) except 2=2229(LC 20), 12=2093(LC 20), 18=1038(LC 18), 16=678(LC 25)

FORCES. (lb) - Max. Comp./Max. Ten. - All forces 250 (lb) or less except when shown.
 TOP CHORD 2-4=-2880/257, 4-5=-2819/467, 5-6=-1834/368, 6-7=-1283/215, 7-8=-1283/215, 8-9=-1520/356, 9-10=-2854/494, 10-12=-3028/293
 BOT CHORD 2-21=-69/2413, 20-21=-72/2417, 18-20=-85/2463, 16-18=-85/2463, 15-16=-85/2463, 14-15=-72/2397, 12-14=-68/2395
 WEBS 20-22=-91/889, 5-22=0/419, 15-23=-157/926, 9-23=-221/482, 22-25=-858/241, 24-25=-794/234, 24-26=-1174/247, 23-26=-1227/252, 6-24=-956/181, 7-24=-324/196, 8-24=-567/355, 6-25=-170/952, 8-26=-150/809, 4-21=-414/295, 10-14=-388/291

- NOTES-**
- Unbalanced roof live loads have been considered for this design.
 - Wind: ASCE 7-10; Vult=130mph (3-second gust) Vasd=103mph; TC DL=6.0psf; BCDL=6.0psf; h=15ft; Cat. II; Exp C; enclosed; MWFRS (envelope) and C-C Exterior(2) -0-9-1 to 3-7-12, Interior(1) 3-7-12 to 16-2-0, Exterior(2) 16-2-0 to 33-10-11, Interior(1) 33-10-11 to 44-7-1 zone; C-C for members and forces & MWFRS for reactions shown; Lumber DOL=1.60 plate grip DOL=1.60
 - Provide adequate drainage to prevent water ponding.
 - This truss has been designed for a 10.0 psf bottom chord live load nonconcurrent with any other live loads.
 - * This truss has been designed for a live load of 30.0psf on the bottom chord in all areas with a clearance greater than 6-0-0 between the bottom chord and any other members, with BCDL = 10.0psf.
 - Ceiling dead load (10.0 psf) on member(s). 22-25, 24-25, 24-26, 23-26; Wall dead load (5.0psf) on member(s).20-22, 15-23
 - Bottom chord live load (40.0 psf) and additional bottom chord dead load (10.0 psf) applied only to room. 18-20, 16-18, 15-16
 - Provide mechanical connection (by others) of truss to bearing plate capable of withstanding 100 lb uplift at joint(s) 2 except (j=1b) 16=356.
 - See Standard Industry Piggyback Truss Connection Detail for Connection to base truss as applicable, or consult qualified building designer.
 - Graphical purlin representation does not depict the size or the orientation of the purlin along the top and/or bottom chord.
 - Attic room checked for L/360 deflection.



WARNING - Verify design parameters and READ NOTES ON THIS AND INCLUDED MITEK REFERENCE PAGE MII-7473 rev. 10/03/2015 BEFORE USE.
 Design valid for use only with MiTek® connectors. This design is based only upon parameters shown, and is for an individual building component, not a truss system. Before use, the building designer must verify the applicability of design parameters and properly incorporate this design into the overall building design. Bracing indicated is to prevent buckling of individual truss web and/or chord members only. Additional temporary and permanent bracing is always required for stability and to prevent collapse with possible personal injury and property damage. For general guidance regarding the fabrication, storage, delivery, erection and bracing of trusses and truss systems, see **ANSI/TPI1 Quality Criteria, DSB-89 and BCSI Building Component Safety Information** available from Truss Plate Institute, 218 N. Lee Street, Suite 312, Alexandria, VA 22314.

ENGINEERING BY
TRENCO
 A MiTek Affiliate
 818 Soundside Road
 Edenton, NC 27932

Job J0320-1189	Truss A1GE	Truss Type GABLE	Qty 1	Ply 1	Lot 39 Blackberry Manor	E13912795
-------------------	---------------	---------------------	----------	----------	-------------------------	-----------

Comtech, Inc., Fayetteville, NC 28309 8.130 s Mar 11 2018 MiTek Industries, Inc. Thu Jan 2 07:31:39 2020 Page 1

0-11-0 14-8-4 16-2-0 21-11-0 27-8-0 29-1-12 43-10-0 44-9-0
 0-11-0 14-8-4 1-5-12 5-9-0 5-9-0 1-5-12 14-8-4 0-11-0

Scale = 1:91.5

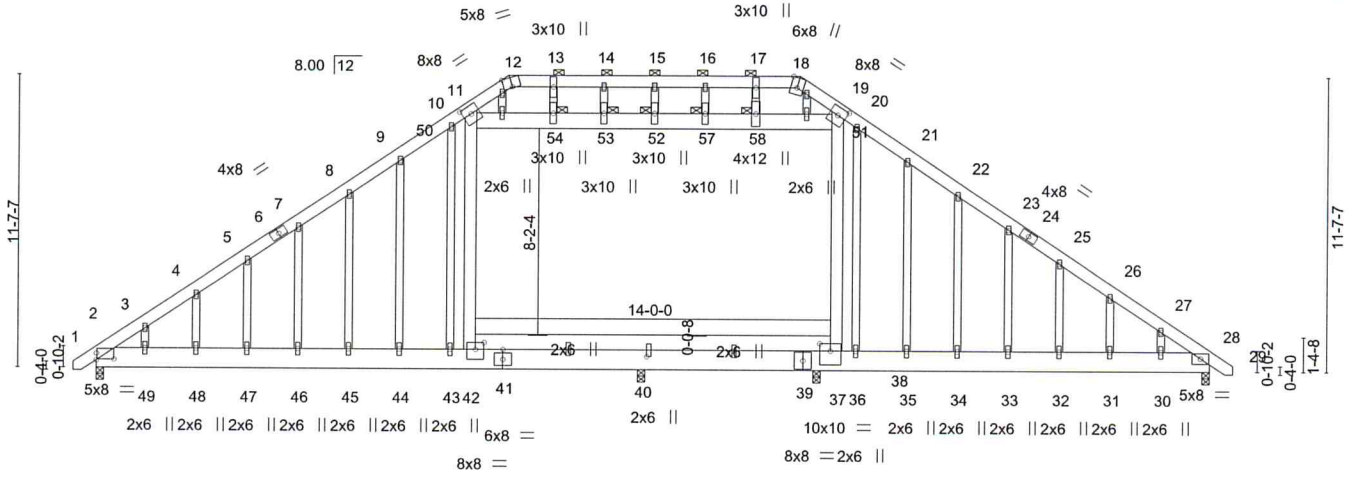


Plate Offsets (X,Y)--	[2:0-8-5,0-0-6], [2:0-3-2,0-0-0], [11:0-4-0,0-3-12], [12:0-4-0,Edge], [18:0-4-13,Edge], [19:0-4-0,0-3-12], [37:0-5-0,0-3-8], [41:0-0-0,5-11-0], [41:0-0-0,5-11-0], [41:0-3-0,5-8-0], [41:0-0-0,5-11-0], [41:0-0-0,5-11-0], [41:0-0-0,5-11-0], [42:0-4-0,0-3-4], [50:0-2-0,0-3-0], [51:0-2-0,0-3-0]
-----------------------	----------------------------------------------------------------------------------------------------------------------------------------------------------------------------------------------------------------------------------------------------------------------------------------------------

LOADING (psf)	SPACING-	CSI.	DEFL.	in (loc)	l/defl	L/d	PLATES	GRIP
TCLL 20.0	Plate Grip DOL 1.15	TC 0.47	Vert(LL) -0.31	45-46	>813	360	MT20	244/190
TCDL 10.0	Lumber DOL 1.15	BC 0.75	Vert(CT) -0.56	45-46	>457	240		
BCLL 0.0 *	Rep Stress Incr YES	WB 0.64	Horz(CT) 0.05	28	n/a	n/a		
BCDL 10.0	Code IRC2015/TPI2014	Matrix-S	Wind(LL) 0.35	46	>725	240		
							Weight: 539 lb	FT = 20%

LUMBER-	BRACING-
TOP CHORD 2x6 SP No.1	TOP CHORD Structural wood sheathing directly applied or 4-4-13 oc purlins, except
BOT CHORD 2x10 SP No.1 *Except* 37-42: 2x8 SP No.1	2-0-0 oc purlins (5-10-8 max.); 12-18. Rigid ceiling directly applied or 10-0-0 oc bracing.
WEBS 2x6 SP No.1 *Except* 50-51: 2x8 SP No.1	BOT CHORD
OTHERS 2x4 SP No.3	JOINTS 1 Brace at Jt(s): 52, 53, 54, 57, 58

REACTIONS. All bearings 0-3-8.
 (lb) - Max Horz 2=339(LC 11)
 Max Uplift All uplift 100 lb or less at joint(s) except 2=-313(LC 12), 28=-251(LC 12), 38=-470(LC 8)
 Max Grav All reactions 250 lb or less at joint(s) except 2=2227(LC 20), 28=2094(LC 20), 40=1052(LC 18), 38=670(LC 21)

FORCES. (lb) - Max. Comp./Max. Ten. - All forces 250 (lb) or less except when shown.
 TOP CHORD 2-3=-2951/295, 3-4=-2795/346, 4-5=-2771/409, 5-7=-2763/474, 7-8=-2746/538, 8-9=-2729/603, 9-10=-2751/674, 10-11=-2678/679, 11-12=-1479/421, 12-13=-1364/388, 13-14=-1364/388, 14-15=-1364/388, 15-16=-1364/388, 16-17=-1364/388, 17-18=-1364/388, 18-19=-1483/427, 19-20=-2738/671, 20-21=-2825/672, 21-22=-2823/603, 22-23=-2851/537, 23-25=-2882/473, 25-26=-2903/409, 26-27=-2947/346, 27-28=-3124/315
 BOT CHORD 2-49=-212/2425, 48-49=-212/2425, 47-48=-212/2425, 46-47=-212/2425, 45-46=-212/2425, 44-45=-212/2425, 43-44=-212/2425, 42-43=-212/2425, 40-42=-231/2490, 38-40=-231/2490, 37-38=-231/2490, 36-37=-212/2425, 35-36=-212/2425, 34-35=-212/2425, 33-34=-212/2425, 32-33=-212/2425, 31-32=-212/2425, 30-31=-212/2425, 28-30=-212/2425
 WEBS 42-50=-240/964, 11-50=-88/835, 37-51=-380/1058, 19-51=-243/908, 50-54=-1210/348, 53-54=-1210/348, 52-53=-1210/348, 52-57=-1210/348, 57-58=-1210/348, 51-58=-1210/348, 14-53=-332/136, 13-54=-123/546, 16-57=-359/142, 17-58=-137/620

- NOTES-**
- 1) Unbalanced roof live loads have been considered for this design.
 - 2) Wind: ASCE 7-10; Vult=130mph (3-second gust) Vasd=103mph; TCCL=6.0psf; BCDL=6.0psf; h=15ft; Cat. II; Exp C; enclosed; MWFRS (envelope) gable end zone and C-C Exterior(2) zone; C-C for members and forces & MWFRS for reactions shown; Lumber DOL=1.60 plate grip DOL=1.60
 - 3) Truss designed for wind loads in the plane of the truss only. For studs exposed to wind (normal to the face), see Standard Industry Gable End Details as applicable, or consult qualified building designer as per ANSI/TPI 1.
 - 4) Provide adequate drainage to prevent water ponding.
 - 5) All plates are 2x4 MT20 unless otherwise indicated.
 - 6) Gable studs spaced at 2-0-0 oc.



Job	Truss	Truss Type	Qty	Ply	Lot 39 Blackberry Manor	E13912795
J0320-1189	A1GE	GABLE	1	1		
					Job Reference (optional)	

Comtech, Inc., Fayetteville, NC 28309

8.130 s Mar 11 2018 MiTek Industries, Inc. Thu Jan 2 07:31:39 2020 Page 2
 ID:KhiM10Q_9dy0362zrkFfqAyJzV8-?cKXsAtY?AsihSsXOvH5FCcywgpHx4?gR8vOPzzT?Z

NOTES-

- 7) This truss has been designed for a 10.0 psf bottom chord live load nonconcurrent with any other live loads.
- 8) * This truss has been designed for a live load of 30.0psf on the bottom chord in all areas with a clearance greater than 6-0-0 between the bottom chord and any other members, with BCDL = 10.0psf.
- 9) Ceiling dead load (10.0 psf) on member(s). 50-54, 53-54, 52-53, 52-57, 57-58, 51-58; Wall dead load (5.0psf) on member(s).42-50, 37-51
- 10) Bottom chord live load (40.0 psf) and additional bottom chord dead load (10.0 psf) applied only to room. 40-42, 38-40, 37-38
- 11) Provide mechanical connection (by others) of truss to bearing plate capable of withstanding 313 lb uplift at joint 2, 251 lb uplift at joint 28 and 470 lb uplift at joint 38.
- 12) See Standard Industry Piggyback Truss Connection Detail for Connection to base truss as applicable, or consult qualified building designer.
- 13) Graphical purlin representation does not depict the size or the orientation of the purlin along the top and/or bottom chord.
- 14) Attic room checked for L/360 deflection.

WARNING - Verify design parameters and READ NOTES ON THIS AND INCLUDED MITEK REFERENCE PAGE MII-7473 rev. 10/03/2015 BEFORE USE.

Design valid for use only with MiTek® connectors. This design is based only upon parameters shown, and is for an individual building component, not a truss system. Before use, the building designer must verify the applicability of design parameters and properly incorporate this design into the overall building design. Bracing indicated is to prevent buckling of individual truss web and/or chord members only. Additional temporary and permanent bracing is always required for stability and to prevent collapse with possible personal injury and property damage. For general guidance regarding the fabrication, storage, delivery, erection and bracing of trusses and truss systems, see **ANSI/TPI1 Quality Criteria, DSB-89 and BCSI Building Component Safety Information** available from Truss Plate Institute, 218 N. Lee Street, Suite 312, Alexandria, VA 22314.



818 Soundside Road
 Edenton, NC 27932

Job J0320-1189	Truss A2	Truss Type MONOPITCH	Qty 2	Ply 1	Lot 39 Blackberry Manor	E13912796
Comtech, Inc., Fayetteville, NC 28309					Job Reference (optional)	

8.130 s Mar 11 2018 MiTek Industries, Inc. Thu Jan 2 07:31:40 2020 Page 1

ID:KhiM10Q_9dy0362zkkFfqAyJzV8-SBAikAWJJIjR1246QWeTkq2K8v0SF8u4uSwrzzT?1

-0-11-0 8-0-0 15-3-12 15-7-4
0-11-0 8-0-0 7-3-12 0-3-8

Scale = 1:62.6

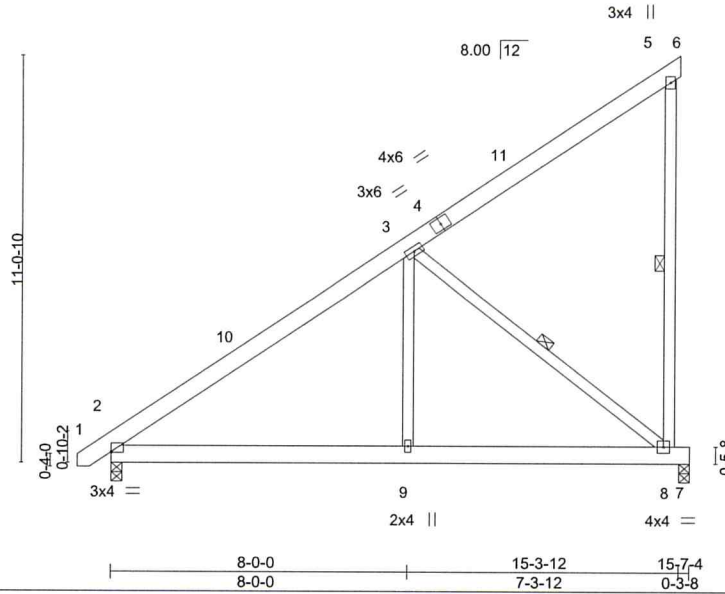


Plate Offsets (X,Y)-- [2:0-0-0,0-0-4]

LOADING (psf)	SPACING-	CSI.	DEFL.	in (loc)	l/defl	L/d	PLATES	GRIP
TCLL 20.0	Plate Grip DOL 1.15	TC 0.26	Vert(LL) -0.03	8-9	>999	360	MT20	244/190
TCDL 10.0	Lumber DOL 1.15	BC 0.25	Vert(CT) -0.07	8-9	>999	240		
BCLL 0.0 *	Rep Stress Incr YES	WB 0.32	Horz(CT) 0.01	7	n/a	n/a		
BCDL 10.0	Code IRC2015/TPI2014	Matrix-S	Wind(LL) 0.02	8-9	>999	240		
							Weight: 118 lb	FT = 20%

LUMBER-
TOP CHORD 2x6 SP No.1
BOT CHORD 2x6 SP No.1
WEBS 2x4 SP No.3

BRACING-
TOP CHORD Structural wood sheathing directly applied or 6-0-0 oc purlins, except end verticals.
BOT CHORD Rigid ceiling directly applied or 10-0-0 oc bracing.
WEBS 1 Row at midpt 5-8, 3-8

REACTIONS. (lb/size) 2=668/0-3-8, 7=592/0-3-8
Max Horz 2=347(LC 12)
Max Uplift 7=-178(LC 12)
Max Grav 2=668(LC 1), 7=639(LC 19)

FORCES. (lb) - Max. Comp./Max. Ten. - All forces 250 (lb) or less except when shown.
TOP CHORD 2-3=-748/0
BOT CHORD 2-9=-225/618, 8-9=-225/618
WEBS 3-9=0/397, 3-8=-787/285

NOTES-

- 1) Wind: ASCE 7-10; Vult=130mph (3-second gust) Vasd=103mph; TCDL=6.0psf; BCDL=6.0psf; h=15ft; Cat. II; Exp C; enclosed; MWFRS (envelope) and C-C Exterior(2) -0-9-1 to 3-7-12, Interior(1) 3-7-12 to 15-3-12 zone;C-C for members and forces & MWFRS for reactions shown; Lumber DOL=1.60 plate grip DOL=1.60
- 2) This truss has been designed for a 10.0 psf bottom chord live load nonconcurrent with any other live loads.
- 3) * This truss has been designed for a live load of 30.0psf on the bottom chord in all areas with a clearance greater than 6-0-0 between the bottom chord and any other members.
- 4) Provide mechanical connection (by others) of truss to bearing plate capable of withstanding 178 lb uplift at joint 7.
- 5) See Standard Industry Piggyback Truss Connection Detail for Connection to base truss as applicable, or consult qualified building designer.



WARNING - Verify design parameters and READ NOTES ON THIS AND INCLUDED MITEK REFERENCE PAGE MII-7473 rev. 10/03/2015 BEFORE USE.

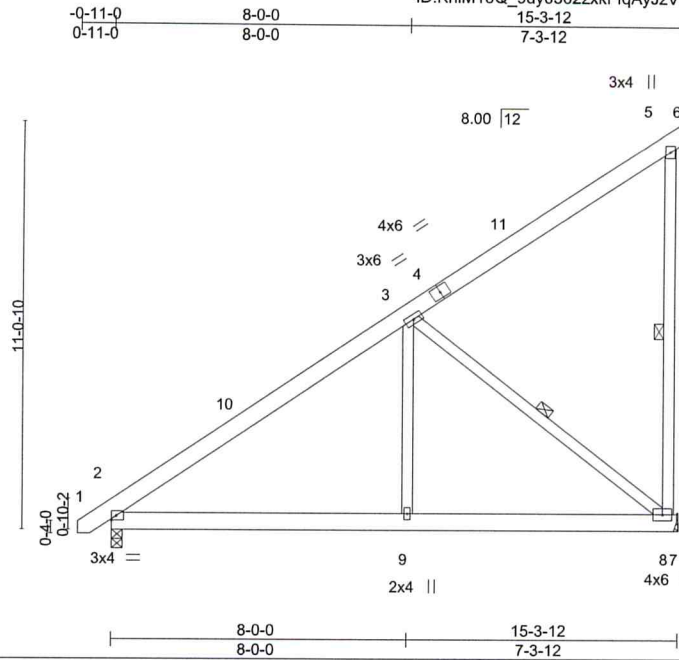
Design valid for use only with MiTek® connectors. This design is based only upon parameters shown, and is for an individual building component, not a truss system. Before use, the building designer must verify the applicability of design parameters and properly incorporate this design into the overall building design. Bracing indicated is to prevent buckling of individual truss web and/or chord members only. Additional temporary and permanent bracing is always required for stability and to prevent collapse with possible personal injury and property damage. For general guidance regarding the fabrication, storage, delivery, erection and bracing of trusses and truss systems, see **ANSI/TPI1 Quality Criteria, DSB-89 and BCSI Building Component Safety Information** available from Truss Plate Institute, 218 N. Lee Street, Suite 312, Alexandria, VA 22314.



818 Soundside Road
Edenton, NC 27932

Job J0320-1189	Truss A3	Truss Type MONOPITCH	Qty 7	Ply 1	Lot 39 Blackberry Manor E13912797
Comtech, Inc., Fayetteville, NC 28309					Job Reference (optional)

8.130 s Mar 11 2018 MiTek Industries, Inc. Thu Jan 2 07:31:41 2020 Page 1
 ID:KhiM10Q_9dy0362zxkFfqAyJzV8-wOk5yYB84dQZx_cEepxIBgH7IkUulvn17kd?SHzzT?0



Scale = 1:62.6

LOADING (psf)	SPACING-	CSI.	DEFL.	PLATES	GRIP
TCLL 20.0	2-0-0	TC 0.26	in (loc) l/defl L/d	MT20	244/190
TCDL 10.0	Plate Grip DOL 1.15	BC 0.20	Vert(LL) -0.02 2-9 >999 360		
BCLL 0.0 *	Lumber DOL 1.15	WB 0.30	Vert(CT) -0.05 2-9 >999 240		
BCDL 10.0	Rep Stress Incr YES	Matrix-S	Horz(CT) 0.01 8 n/a n/a		
	Code IRC2015/TPI2014		Wind(LL) 0.02 2-9 >999 240	Weight: 117 lb	FT = 20%

LUMBER-

TOP CHORD 2x6 SP No.1
 BOT CHORD 2x6 SP No.1
 WEBS 2x4 SP No.3

BRACING-

TOP CHORD Structural wood sheathing directly applied or 6-0-0 oc purlins, except end verticals.
 BOT CHORD Rigid ceiling directly applied or 10-0-0 oc bracing.
 WEBS 1 Row at midpt 5-8, 3-8

REACTIONS.

(lb/size) 8=605/Mechanical, 2=651/0-3-8
 Max Horz 2=347(LC 12)
 Max Uplift 8=185(LC 12)
 Max Grav 8=654(LC 19), 2=651(LC 1)

FORCES. (lb) - Max. Comp./Max. Ten. - All forces 250 (lb) or less except when shown.

TOP CHORD 2-3=-708/0
 BOT CHORD 2-9=-210/581, 8-9=-210/581
 WEBS 3-9=0/360, 3-8=-742/268

NOTES-

- 1) Wind: ASCE 7-10; Vult=130mph (3-second gust) Vasd=103mph; TCDL=6.0psf; BCDL=6.0psf; h=15ft; Cat. II; Exp C; enclosed; MWFRS (envelope) and C-C Exterior(2) -0-9-1 to 3-7-12, Interior(1) 3-7-12 to 15-3-12 zone; C-C for members and forces & MWFRS for reactions shown; Lumber DOL=1.60 plate grip DOL=1.60
- 2) This truss has been designed for a 10.0 psf bottom chord live load nonconcurrent with any other live loads.
- 3) * This truss has been designed for a live load of 30.0psf on the bottom chord in all areas with a clearance greater than 6-0-0 between the bottom chord and any other members.
- 4) Refer to girder(s) for truss to truss connections.
- 5) Provide mechanical connection (by others) of truss to bearing plate capable of withstanding 185 lb uplift at joint 8.
- 6) See Standard Industry Piggyback Truss Connection Detail for Connection to base truss as applicable, or consult qualified building designer.



January 2, 2020

WARNING - Verify design parameters and READ NOTES ON THIS AND INCLUDED MITEK REFERENCE PAGE MII-7473 rev. 10/03/2015 BEFORE USE.

Design valid for use only with MiTek® connectors. This design is based only upon parameters shown, and is for an individual building component, not a truss system. Before use, the building designer must verify the applicability of design parameters and properly incorporate this design into the overall building design. Bracing indicated is to prevent buckling of individual truss web and/or chord members only. Additional temporary and permanent bracing is always required for stability and to prevent collapse with possible personal injury and property damage. For general guidance regarding the fabrication, storage, delivery, erection and bracing of trusses and truss systems, see **ANSI/TPI1 Quality Criteria, DSB-89 and BCSI Building Component Safety Information** available from Truss Plate Institute, 218 N. Lee Street, Suite 312, Alexandria, VA 22314.



818 Soundside Road
 Edenton, NC 27932

Job J0320-1189	Truss A3GE	Truss Type HALF HIP SUPPORTED	Qty 1	Ply 1	Lot 39 Blackberry Manor	E13912798
Comtech, Inc., Fayetteville, NC 28309					Job Reference (optional)	

8.130 s Mar 11 2018 MiTek Industries, Inc. Thu Jan 2 07:31:42 2020 Page 1

ID:KHiM10Q_9dy0362zxfFqAyJzV8-PalT9uCmrwYQZ8BQCWS_juqEo8szUO3RMONZ_kzzT??

-0-11-0 15-0-11 16-2-12
0-11-0 14-1-11 1-2-1

Scale = 1:60.6

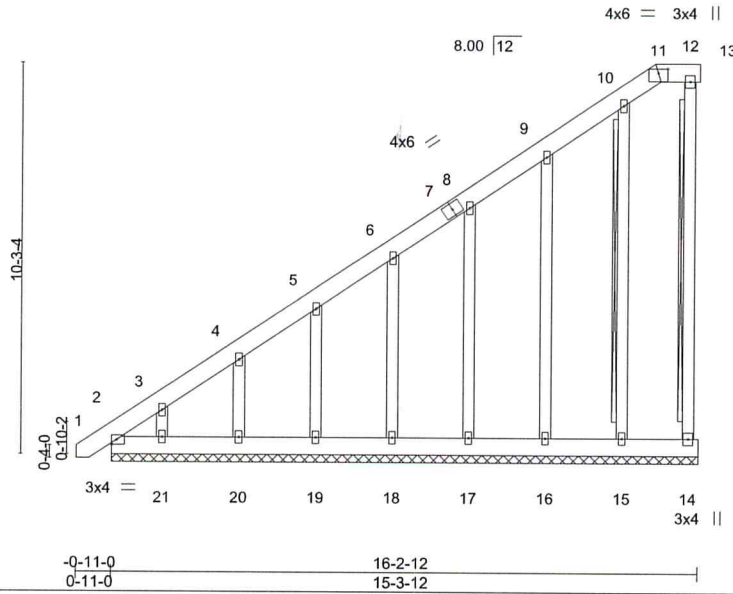


Plate Offsets (X,Y)-- [11:0-3-0,0-1-5]

LOADING (psf)	SPACING-	CSI.	DEFL.	PLATES	GRIP
TCLL 20.0	2-0-0	TC 0.05	in (loc) l/defl L/d	MT20	244/190
TCDL 10.0	Plate Grip DOL 1.15	BC 0.02	Vert(LL) -0.00 1 n/r 120		
BCLL 0.0 *	Lumber DOL 1.15	WB 0.17	Vert(CT) -0.00 1 n/r 120		
BCDL 10.0	Rep Stress Incr YES	Matrix-S	Horz(CT) -0.01 13 n/a n/a		
	Code IRC2015/TPI2014			Weight: 145 lb	FT = 20%

LUMBER-

TOP CHORD 2x6 SP No.1
BOT CHORD 2x6 SP No.1
WEBS 2x4 SP No.3
OTHERS 2x4 SP No.3

BRACING-

TOP CHORD Structural wood sheathing directly applied or 6-0-0 oc purlins, except end verticals, and 2-0-0 oc purlins (6-0-0 max.): 11-13.
BOT CHORD Rigid ceiling directly applied or 10-0-0 oc bracing.
WEBS T-Brace: 2x4 SPF No.2 - 12-14, 10-15
Fasten (2X) T and I braces to narrow edge of web with 10d (0.131"x3") nails, 6in o.c., with 3in minimum end distance.
Brace must cover 90% of web length.

REACTIONS.

All bearings 15-3-12.
(lb) - Max Horz 2=466(LC 12)
Max Uplift All uplift 100 lb or less at joint(s) 13, 14, 2, 15, 16, 17, 18, 19, 20 except 21=181(LC 12)
Max Grav All reactions 250 lb or less at joint(s) 13, 14, 17, 18, 19, 20, 21 except 2=360(LC 12), 15=252(LC 19), 16=277(LC 19)

FORCES. (lb) - Max. Comp./Max. Ten. - All forces 250 (lb) or less except when shown.

TOP CHORD 2-3=-583/474, 3-4=-457/369, 4-5=-377/304, 5-6=-303/246

NOTES-

- Unbalanced roof live loads have been considered for this design.
- Wind: ASCE 7-10; Vult=130mph (3-second gust) Vasd=103mph; TCDL=6.0psf; BCDL=6.0psf; h=15ft; Cat. II; Exp C; enclosed; MWFRS (envelope) gable end zone and C-C Exterior(2) zone; C-C for members and forces & MWFRS for reactions shown; Lumber DOL=1.60 plate grip DOL=1.60
- Truss designed for wind loads in the plane of the truss only. For studs exposed to wind (normal to the face), see Standard Industry Gable End Details as applicable, or consult qualified building designer as per ANSI/TPI 1.
- Provide adequate drainage to prevent water ponding.
- All plates are 2x4 MT20 unless otherwise indicated.
- Gable requires continuous bottom chord bearing.
- Gable studs spaced at 2-0-0 oc.
- This truss has been designed for a 10.0 psf bottom chord live load nonconcurrent with any other live loads.
- * This truss has been designed for a live load of 30.0psf on the bottom chord in all areas with a clearance greater than 6-0-0 between the bottom chord and any other members, with BCDL = 10.0psf.
- Bearing at joint(s) 13 considers parallel to grain value using ANSI/TPI 1 angle to grain formula. Building designer should verify capacity of bearing surface.
- Provide mechanical connection (by others) of truss to bearing plate capable of withstanding 100 lb uplift at joint(s) 13, 14, 2, 15, 16, 17, 18, 19, 20 except (jt=lb) 21=181.
- See Standard Industry Piggyback Truss Connection Detail for Connection to base truss as applicable, or consult qualified building designer.
- Graphical purlin representation does not depict the size or the orientation of the purlin along the top and/or bottom chord.
- Warning: Additional permanent and stability bracing for truss system (not part of this component design) is always required.



January 2, 2020

WARNING - Verify design parameters and READ NOTES ON THIS AND INCLUDED MITEK REFERENCE PAGE MI-7473 rev. 10/03/2015 BEFORE USE.

Design valid for use only with MiTek® connectors. This design is based only upon parameters shown, and is for an individual building component, not a truss system. Before use, the building designer must verify the applicability of design parameters and properly incorporate this design into the overall building design. Bracing indicated is to prevent buckling of individual truss web and/or chord members only. Additional temporary and permanent bracing is always required for stability and to prevent collapse with possible personal injury and property damage. For general guidance regarding the fabrication, storage, delivery, erection and bracing of trusses and truss systems, see ANSI/TPI1 Quality Criteria, DSB-89 and BCSI Building Component Safety Information available from Truss Plate Institute, 218 N. Lee Street, Suite 312, Alexandria, VA 22314.



818 Soundside Road
Edenton, NC 27932

Job	Truss	Truss Type	Qty	Ply	Lot 39 Blackberry Manor	E13912799
J0320-1189	B1	COMMON	5	1		

Comtech, Inc., Fayetteville, NC 28309

8.130 s Mar 11 2018 MiTek Industries, Inc. Thu Jan 2 07:31:42 2020 Page 1
 ID:KHiM10Q_9dy0362zxkFfqAyJzV8-PalT9uCmrwYQZ8BQCWS_juq858oUU06RMONZ_kzzT??



Scale = 1:43.2

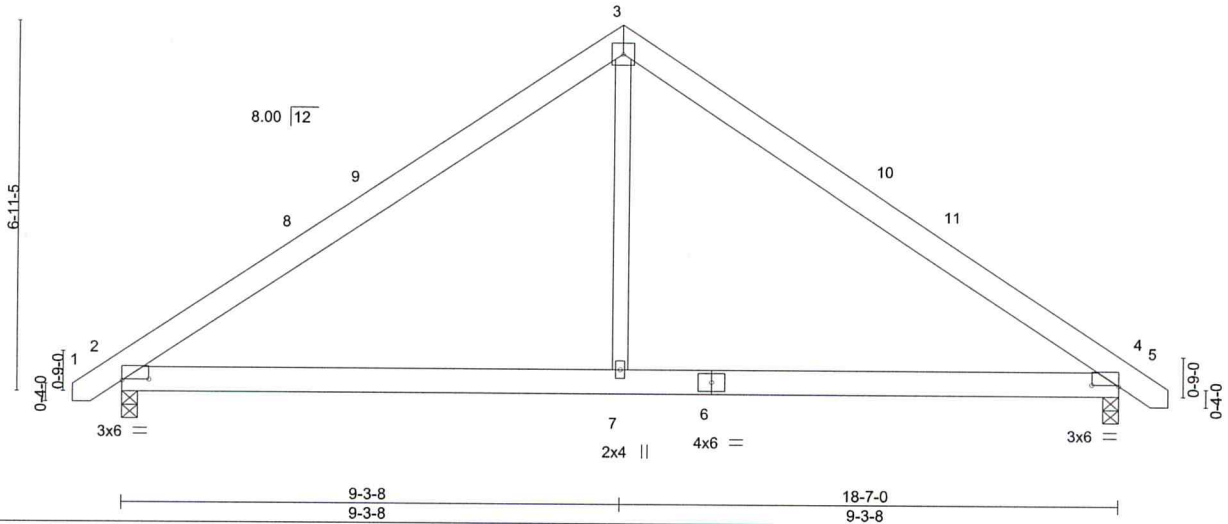


Plate Offsets (X,Y)-- [2:0-6-0,0-0-5], [4:0-6-0,0-0-5]

LOADING (psf)	SPACING-	2-0-0	CSI.	DEFL.	in	(loc)	l/defl	L/d	PLATES	GRIP
TCLL 20.0	Plate Grip DOL	1.15	TC 0.41	Vert(LL)	-0.04	4-7	>999	360	MT20	244/190
TCDL 10.0	Lumber DOL	1.15	BC 0.31	Vert(CT)	-0.09	4-7	>999	240		
BCLL 0.0 *	Rep Stress Incr	YES	WB 0.17	Horz(CT)	0.01	4	n/a	n/a		
BCDL 10.0	Code IRC2015/TPI2014		Matrix-S	Wind(LL)	0.04	2-7	>999	240	Weight: 110 lb	FT = 20%

LUMBER-

TOP CHORD 2x6 SP No.1
 BOT CHORD 2x6 SP No.1
 WEBS 2x4 SP No.3

BRACING-

TOP CHORD Structural wood sheathing directly applied or 6-0-0 oc purlins.
 BOT CHORD Rigid ceiling directly applied or 10-0-0 oc bracing.

REACTIONS.

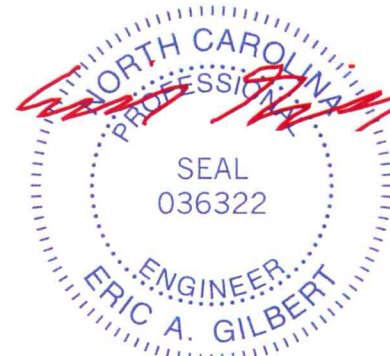
(lb/size) 4=786/0-3-8, 2=786/0-3-8
 Max Horz 2=-161(LC 10)
 Max Uplift 4=-50(LC 13), 2=-50(LC 12)

FORCES. (lb) - Max. Comp./Max. Ten. - All forces 250 (lb) or less except when shown.

TOP CHORD 2-3=-890/199, 3-4=-890/199
 BOT CHORD 2-7=0/605, 4-7=0/605
 WEBS 3-7=0/448

NOTES-

- 1) Unbalanced roof live loads have been considered for this design.
- 2) Wind: ASCE 7-10; Vult=130mph (3-second gust) Vasd=103mph; TCDL=6.0psf; BCDL=6.0psf; h=15ft; Cat. II; Exp C; enclosed; MWFRS (envelope) and C-C Exterior(2) 0-9-1 to 3-7-12, Interior(1) 3-7-12 to 9-3-8, Exterior(2) 9-3-8 to 13-8-5 zone;C-C for members and forces & MWFRS for reactions shown; Lumber DOL=1.60 plate grip DOL=1.60
- 3) This truss has been designed for a 10.0 psf bottom chord live load nonconcurrent with any other live loads.
- 4) * This truss has been designed for a live load of 30.0psf on the bottom chord in all areas with a clearance greater than 6-0-0 between the bottom chord and any other members.
- 5) Provide mechanical connection (by others) of truss to bearing plate capable of withstanding 100 lb uplift at joint(s) 4, 2.



January 2, 2020

WARNING - Verify design parameters and READ NOTES ON THIS AND INCLUDED MITEK REFERENCE PAGE MII-7473 rev. 10/03/2015 BEFORE USE.

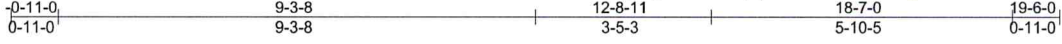
Design valid for use only with MiTek® connectors. This design is based only upon parameters shown, and is for an individual building component, not a truss system. Before use, the building designer must verify the applicability of design parameters and properly incorporate this design into the overall building design. Bracing indicated is to prevent buckling of individual truss web and/or chord members only. Additional temporary and permanent bracing is always required for stability and to prevent collapse with possible personal injury and property damage. For general guidance regarding the fabrication, storage, delivery, erection and bracing of trusses and truss systems, see **ANSI/TPI1 Quality Criteria, DSB-89 and BCSI Building Component Safety Information** available from Truss Plate Institute, 218 N. Lee Street, Suite 312, Alexandria, VA 22314.



818 Soundside Road
 Edenton, NC 27932

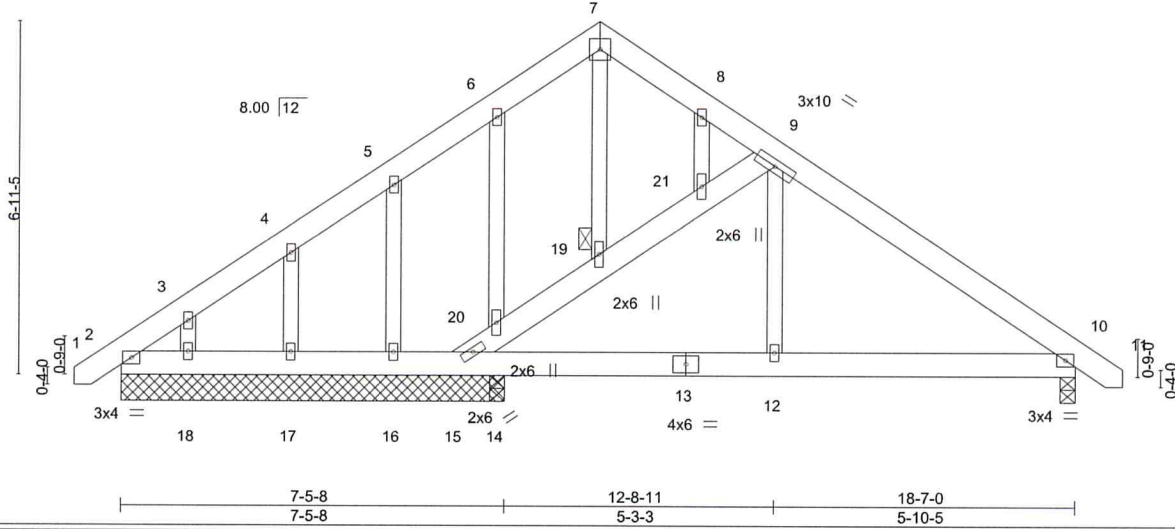
Job J0320-1189	Truss B1SG	Truss Type GABLE	Qty 1	Ply 1	Lot 39 Blackberry Manor	E13912800
-------------------	---------------	---------------------	----------	----------	-------------------------	-----------

Comtech, Inc., Fayetteville, NC 28309 8.130 s Mar 11 2018 MiTek Industries, Inc. Thu Jan 2 07:31:43 2020 Page 1
 ID:KHiM10Q_9dy0362zxkFfqAyJzV8-tmrrNEDOcEgHBImdmEzDG5MOTXBjDsabb266XAZzt?_



5x5 =

Scale = 1:45.2



LOADING (psf)	SPACING-	CSI.	DEFL.	in (loc)	l/defl	L/d	PLATES	GRIP
TCLL 20.0	Plate Grip DOL 1.15	TC 0.12	Vert(LL) -0.01	10-12	>999	360	MT20	244/190
TCDL 10.0	Lumber DOL 1.15	BC 0.11	Vert(CT) -0.02	10-12	>999	240		
BCLL 0.0 *	Rep Stress Incr YES	WB 0.09	Horz(CT) 0.01	10	n/a	n/a		
BCDL 10.0	Code IRC2015/TPI2014	Matrix-S	Wind(LL) 0.01	10-12	>999	240		
							Weight: 148 lb	FT = 20%

LUMBER-	BRACING-
TOP CHORD 2x6 SP No.1	TOP CHORD Structural wood sheathing directly applied or 6-0-0 oc purlins.
BOT CHORD 2x6 SP No.1	BOT CHORD Rigid ceiling directly applied or 10-0-0 oc bracing.
WEBS 2x6 SP No.1 *Except* 9-12: 2x4 SP No.3	JOINTS 1 Brace at Jt(s): 19
OTHERS 2x4 SP No.3	

REACTIONS. All bearings 7-5-8 except (jt=length) 10=0-3-8, 14=0-3-8.
 (lb) - Max Horz 2=-201(LC 10)
 Max Uplift All uplift 100 lb or less at joint(s) 2, 17 except 10=-116(LC 13), 15=-181(LC 13), 16=-105(LC 12), 18=-107(LC 12)
 Max Grav All reactions 250 lb or less at joint(s) 2, 15, 16, 17, 18 except 10=564(LC 1), 14=257(LC 3)

FORCES. (lb) - Max. Comp./Max. Ten. - All forces 250 (lb) or less except when shown.
 TOP CHORD 9-10=-628/119
 BOT CHORD 14-15=0/435, 12-14=0/435, 10-12=0/435
 WEBS 15-20=-526/235, 19-20=-462/216, 19-21=-475/221, 9-21=-489/229

- NOTES-**
- 1) Unbalanced roof live loads have been considered for this design.
 - 2) Wind: ASCE 7-10; Vult=130mph (3-second gust) Vasd=103mph; TC DL=6.0psf; BCDL=6.0psf; h=15ft; Cat. II; Exp C; enclosed; MWFRS (envelope) gable end zone and C-C Exterior(2) zone; C-C for members and forces & MWFRS for reactions shown; Lumber DOL=1.60 plate grip DOL=1.60
 - 3) Truss designed for wind loads in the plane of the truss only. For studs exposed to wind (normal to the face), see Standard Industry Gable End Details as applicable, or consult qualified building designer as per ANSI/TPI 1.
 - 4) All plates are 2x4 MT20 unless otherwise indicated.
 - 5) Gable studs spaced at 2-0-0 oc.
 - 6) This truss has been designed for a 10.0 psf bottom chord live load nonconcurrent with any other live loads.
 - 7) * This truss has been designed for a live load of 30.0psf on the bottom chord in all areas with a clearance greater than 6-0-0 between the bottom chord and any other members.
 - 8) Provide mechanical connection (by others) of truss to bearing plate capable of withstanding 100 lb uplift at joint(s) 2, 17 except (jt=lb) 10=116, 15=181, 16=105, 18=107.



January 2, 2020

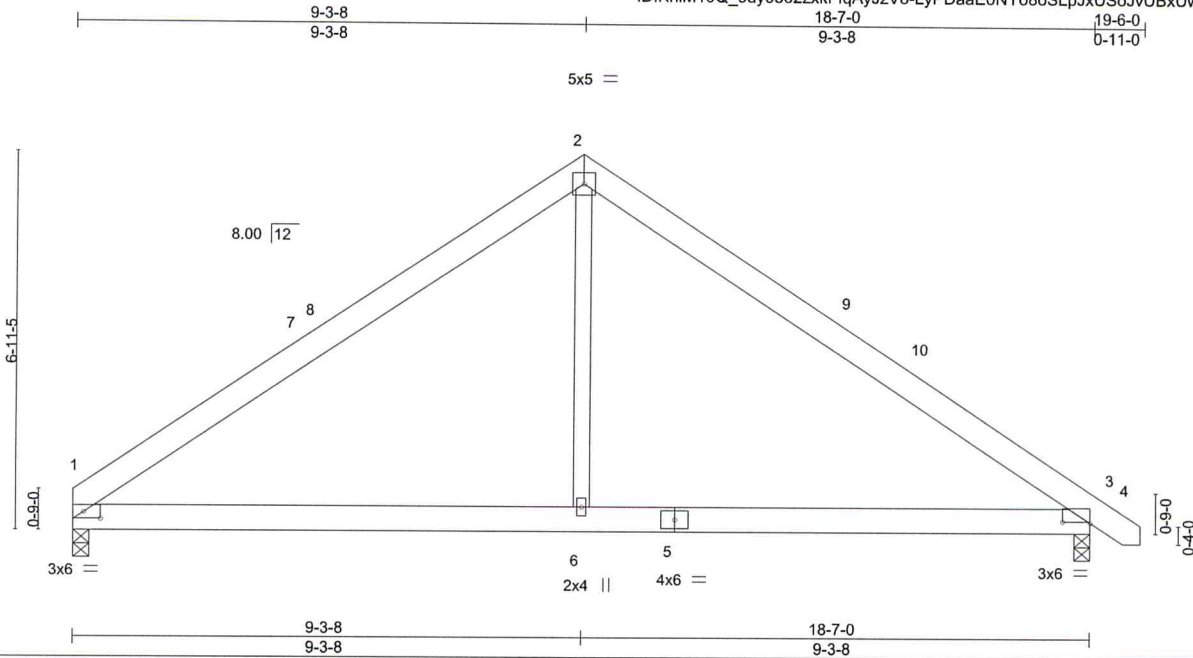
WARNING - Verify design parameters and READ NOTES ON THIS AND INCLUDED MITEK REFERENCE PAGE MII-7473 rev. 10/03/2015 BEFORE USE.
 Design valid for use only with MiTek® connectors. This design is based only upon parameters shown, and is for an individual building component, not a truss system. Before use, the building designer must verify the applicability of design parameters and properly incorporate this design into the overall building design. Bracing indicated is to prevent buckling of individual truss web and/or chord members only. Additional temporary and permanent bracing is always required for stability and to prevent collapse with possible personal injury and property damage. For general guidance regarding the fabrication, storage, delivery, erection and bracing of trusses and truss systems, see **ANSI/TPI1 Quality Criteria, DSB-89 and BCSI Building Component Safety Information** available from Truss Plate Institute, 218 N. Lee Street, Suite 312, Alexandria, VA 22314.



818 Soundside Road
 Edenton, NC 27932

Job J0320-1189	Truss B2	Truss Type COMMON	Qty 4	Ply 1	Lot 39 Blackberry Manor E13912801
Comtech, Inc., Fayetteville, NC 28309					Job Reference (optional)

8.130 s Mar 11 2018 MiTek Industries, Inc. Thu Jan 2 07:31:44 2020 Page 1
 ID:KHiM10Q_9dy0362zkkFfqAyJzV8-LyPDaaE0NYo8oSLpJxUSoJvUBxUwylakpigs2czzT_z



Scale = 1:42.3

Plate Offsets (X,Y)--	[1:0-3-11,0-1-8], [3:0-6-0,0-0-5]				
LOADING (psf)	SPACING- 2-0-0	CSI.	DEFL. in (loc) l/defl L/d	PLATES	GRIP
TCLL 20.0	Plate Grip DOL 1.15	TC 0.44	Vert(LL) -0.04 1-6 >999 360	MT20	244/190
TCDL 10.0	Lumber DOL 1.15	BC 0.31	Vert(CT) -0.09 1-6 >999 240		
BCLL 0.0 *	Rep Stress Incr YES	WB 0.17	Horz(CT) 0.01 3 n/a n/a		
BCDL 10.0	Code IRC2015/TPI2014	Matrix-S	Wind(LL) 0.04 3-6 >999 240	Weight: 108 lb	FT = 20%

LUMBER-	BRACING-
TOP CHORD 2x6 SP No.1	TOP CHORD Structural wood sheathing directly applied or 6-0-0 oc purlins.
BOT CHORD 2x6 SP No.1	BOT CHORD Rigid ceiling directly applied or 10-0-0 oc bracing.
WEBS 2x4 SP No.3	

REACTIONS. (lb/size) 1=730/0-3-8, 3=787/0-3-8
 Max Horz 1=-159(LC 8)
 Max Uplift 1=-38(LC 12), 3=-50(LC 13)

FORCES. (lb) - Max. Comp./Max. Ten. - All forces 250 (lb) or less except when shown.
 TOP CHORD 1-2=-889/199, 2-3=-892/199
 BOT CHORD 1-6=0/607, 3-6=0/607
 WEBS 2-6=0/450

- NOTES-**
- 1) Unbalanced roof live loads have been considered for this design.
 - 2) Wind: ASCE 7-10; Vult=130mph (3-second gust) Vasd=103mph; TCDL=6.0psf; BCDL=6.0psf; h=15ft; Cat. II; Exp C; enclosed; MWFRS (envelope) and C-C Exterior(2) 0-1-12 to 4-6-9, Interior(1) 4-6-9 to 9-3-8, Exterior(2) 9-3-8 to 13-8-5 zone;C-C for members and forces & MWFRS for reactions shown; Lumber DOL=1.60 plate grip DOL=1.60
 - 3) This truss has been designed for a 10.0 psf bottom chord live load nonconcurrent with any other live loads.
 - 4) * This truss has been designed for a live load of 30.0psf on the bottom chord in all areas with a clearance greater than 6-0-0 between the bottom chord and any other members.
 - 5) Provide mechanical connection (by others) of truss to bearing plate capable of withstanding 100 lb uplift at joint(s) 1, 3.



January 2, 2020

WARNING - Verify design parameters and READ NOTES ON THIS AND INCLUDED MITEK REFERENCE PAGE MII-7473 rev. 10/03/2015 BEFORE USE.

Design valid for use only with MiTek® connectors. This design is based only upon parameters shown, and is for an individual building component, not a truss system. Before use, the building designer must verify the applicability of design parameters and properly incorporate this design into the overall building design. Bracing indicated is to prevent buckling of individual truss web and/or chord members only. Additional temporary and permanent bracing is always required for stability and to prevent collapse with possible personal injury and property damage. For general guidance regarding the fabrication, storage, delivery, erection and bracing of trusses and truss systems, see **ANSI/TPI1 Quality Criteria, DSB-89 and BCSI Building Component Safety Information** available from Truss Plate Institute, 218 N. Lee Street, Suite 312, Alexandria, VA 22314.

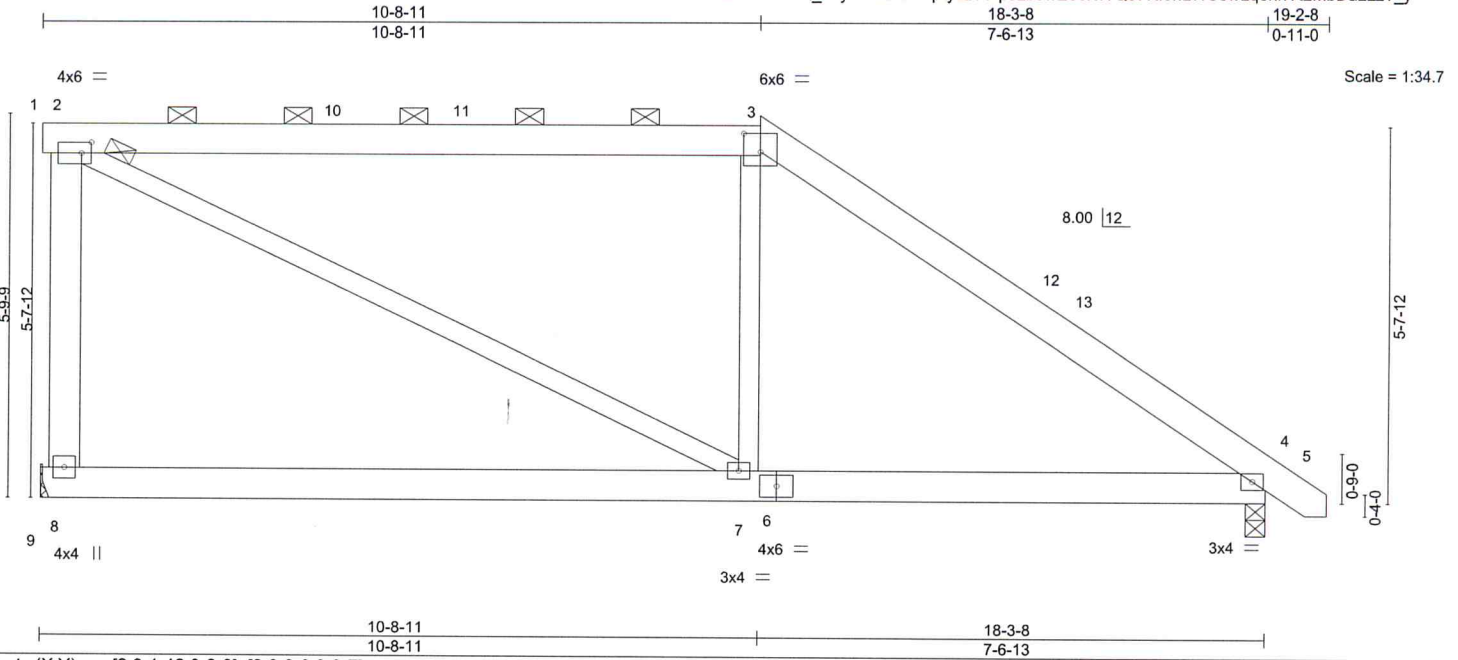


818 Soundside Road
 Edenton, NC 27932

Job J0320-1189	Truss B3	Truss Type ROOF SPECIAL	Qty 1	Ply 1	Lot 39 Blackberry Manor	E13912802
-------------------	-------------	----------------------------	----------	----------	-------------------------	-----------

Comtech, Inc., Fayetteville, NC 28309

8.130 s Mar 11 2018 MiTek Industries, Inc. Thu Jan 2 07:31:45 2020 Page 1
ID:KHiM10Q_9dy0362zrkFfqAyJzV8-p9zbowEe8rw?Qcv?tf0hLWSeWlQehhYt2MbDa2zzT_Y



Scale = 1:34.7

Plate Offsets (X,Y)--	[2:0-1-12,0-2-0], [3:0-3-0,0-3-7]								
LOADING (psf)	SPACING-		CSI.	DEFL.	in (loc)	l/defl	L/d	PLATES	GRIP
TCLL 20.0	Plate Grip DOL 2-0-0 1.15		TC 0.50	Vert(LL) -0.06	7-8	>999	360	MT20	244/190
TCDL 10.0	Lumber DOL 1.15		BC 0.28	Vert(CT) -0.12	7-8	>999	240		
BCLL 0.0 *	Rep Stress Incr YES		WB 0.45	Horz(CT) 0.01	4	n/a	n/a		
BCDL 10.0	Code IRC2015/TPI2014		Matrix-S	Wind(LL) 0.02	4-7	>999	240		
								Weight: 126 lb	FT = 20%

LUMBER-		BRACING-	
TOP CHORD	2x6 SP No.1	TOP CHORD	Structural wood sheathing directly applied or 6-0-0 oc purlins, except end verticals, and 2-0-0 oc purlins (6-0-0 max.): 1-3.
BOT CHORD	2x6 SP No.1	BOT CHORD	Rigid ceiling directly applied or 10-0-0 oc bracing.
WEBS	2x6 SP No.1 *Except*		
	2-7: 2x4 SP No.2, 3-7: 2x4 SP No.3		

REACTIONS. (lb/size) 8=739/Mechanical, 4=767/0-3-8
 Max Horz 8=-176(LC 13)
 Max Uplift 8=-87(LC 8), 4=-28(LC 13)
 Max Grav 8=739(LC 1), 4=767(LC 24)

FORCES. (lb) - Max. Comp./Max. Ten. - All forces 250 (lb) or less except when shown.
 TOP CHORD 2-8=-630/280, 2-3=-665/208, 3-4=-929/153
 BOT CHORD 4-7=0/665
 WEBS 2-7=-199/627

- NOTES-**
- 1) Unbalanced roof live loads have been considered for this design.
 - 2) Wind: ASCE 7-10; Vult=130mph (3-second gust) Vasd=103mph; TCDL=6.0psf; BCDL=6.0psf; h=15ft; Cat. II; Exp C; enclosed; MWFRS (envelope) and C-C Exterior(2) 0-0-0 to 4-4-13, Interior(1) 4-4-13 to 10-8-11, Exterior(2) 10-8-11 to 15-1-8 zone; C-C for members and forces & MWFRS for reactions shown; Lumber DOL=1.60 plate grip DOL=1.60
 - 3) Provide adequate drainage to prevent water ponding.
 - 4) This truss has been designed for a 10.0 psf bottom chord live load nonconcurrent with any other live loads.
 - 5) * This truss has been designed for a live load of 30.0psf on the bottom chord in all areas with a clearance greater than 6-0-0 between the bottom chord and any other members.
 - 6) Refer to girder(s) for truss to truss connections.
 - 7) Provide mechanical connection (by others) of truss to bearing plate capable of withstanding 100 lb uplift at joint(s) 8, 4.
 - 8) Graphical purlin representation does not depict the size or the orientation of the purlin along the top and/or bottom chord.



January 2, 2020

WARNING - Verify design parameters and READ NOTES ON THIS AND INCLUDED MITEK REFERENCE PAGE MII-7473 rev. 10/03/2015 BEFORE USE.

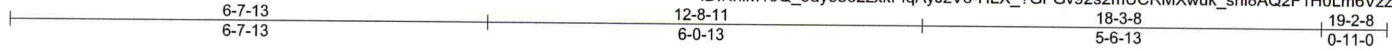
Design valid for use only with MiTek® connectors. This design is based only upon parameters shown, and is for an individual building component, not a truss system. Before use, the building designer must verify the applicability of design parameters and properly incorporate this design into the overall building design. Bracing indicated is to prevent buckling of individual truss web and/or chord members only. Additional temporary and permanent bracing is always required for stability and to prevent collapse with possible personal injury and property damage. For general guidance regarding the fabrication, storage, delivery, erection and bracing of trusses and truss systems, see **ANSI/TPI1 Quality Criteria, DSB-89 and BCSI Building Component Safety Information** available from Truss Plate Institute, 218 N. Lee Street, Suite 312, Alexandria, VA 22314.



818 Soundside Road
Edenton, NC 27932

Job J0320-1189	Truss B4	Truss Type ROOF SPECIAL	Qty 1	Ply 1	Lot 39 Blackberry Manor E13912803
Comtech, Inc., Fayetteville, NC 28309					Job Reference (optional)

8.130 s Mar 11 2018 MiTek Industries, Inc. Thu Jan 2 07:31:46 2020 Page 1
 ID:KHiM10Q_9dy0362zxcFfqAyJzV8-HLX_?FGV92s2mUCRMXwuk_shl8AQ2F1H0Lm6VzzT_x



Scale = 1:32.3

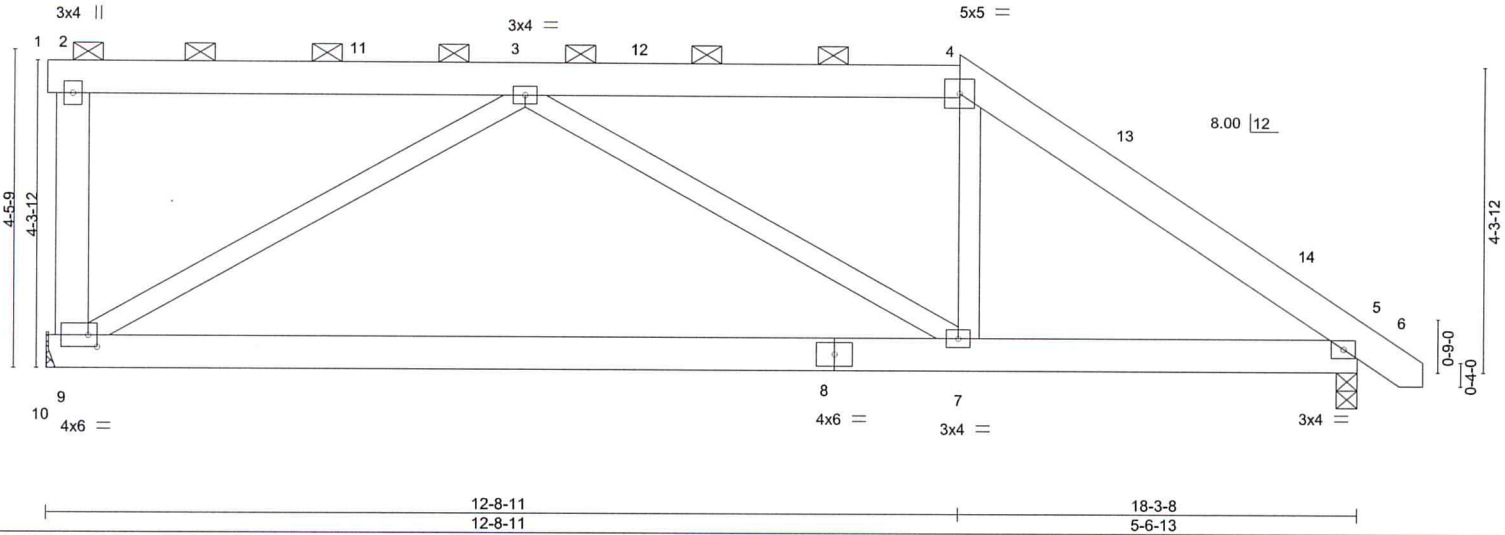


Plate Offsets (X,Y)-- [9:0-1-8,0-2-0]

LOADING (psf)	SPACING-	2-0-0	CSI.	DEFL.	in (loc)	l/defl	L/d	PLATES	GRIP
TCLL 20.0	Plate Grip DOL	1.15	TC 0.31	Vert(LL)	-0.13	7-9	>999	MT20	244/190
TCDL 10.0	Lumber DOL	1.15	BC 0.39	Vert(CT)	-0.26	7-9	>836		
BCLL 0.0 *	Rep Stress Incr	YES	WB 0.80	Horz(CT)	0.01	5	n/a		
BCDL 10.0	Code IRC2015/TPI2014		Matrix-S	Wind(LL)	0.01	5-7	>999		
								Weight: 125 lb	FT = 20%

LUMBER-

TOP CHORD 2x6 SP No.1
 BOT CHORD 2x6 SP No.1
 WEBS 2x4 SP No.3 *Except*
 2-9: 2x6 SP No.1

BRACING-

TOP CHORD Structural wood sheathing directly applied or 6-0-0 oc purlins, except end verticals, and 2-0-0 oc purlins (6-0-0 max.): 1-4.
 BOT CHORD Rigid ceiling directly applied or 10-0-0 oc bracing.

REACTIONS.

(lb/size) 9=739/Mechanical, 5=767/0-3-8
 Max Horz 9=-133(LC 13)
 Max Uplift 9=-86(LC 8), 5=-26(LC 8)
 Max Grav 9=739(LC 1), 5=767(LC 24)

FORCES.

(lb) - Max. Comp./Max. Ten. - All forces 250 (lb) or less except when shown.
 TOP CHORD 3-4=-758/200, 4-5=-1038/167
 BOT CHORD 7-9=-87/754, 5-7=-20/765
 WEBS 3-9=-782/328, 4-7=0/364

NOTES-

- Unbalanced roof live loads have been considered for this design.
- Wind: ASCE 7-10; Vult=130mph (3-second gust) Vasd=103mph; TCDL=6.0psf; BCDL=6.0psf; h=15ft; Cat. II; Exp C; enclosed; MWFRS (envelope) and C-C Exterior(2) 0-0-0 to 4-4-13, Interior(1) 4-4-13 to 12-8-11, Exterior(2) 12-8-11 to 17-1-8 zone;C-C for members and forces & MWFRS for reactions shown; Lumber DOL=1.60 plate grip DOL=1.60
- Provide adequate drainage to prevent water ponding.
- This truss has been designed for a 10.0 psf bottom chord live load nonconcurrent with any other live loads.
- * This truss has been designed for a live load of 30.0psf on the bottom chord in all areas with a clearance greater than 6-0-0 between the bottom chord and any other members.
- Refer to girder(s) for truss to truss connections.
- Provide mechanical connection (by others) of truss to bearing plate capable of withstanding 100 lb uplift at joint(s) 9, 5.
- Graphical purlin representation does not depict the size or the orientation of the purlin along the top and/or bottom chord.



January 2,2020

WARNING - Verify design parameters and READ NOTES ON THIS AND INCLUDED MITEK REFERENCE PAGE MII-7473 rev. 10/03/2015 BEFORE USE.

Design valid for use only with MiTek® connectors. This design is based only upon parameters shown, and is for an individual building component, not a truss system. Before use, the building designer must verify the applicability of design parameters and properly incorporate this design into the overall building design. Bracing indicated is to prevent buckling of individual truss web and/or chord members only. Additional temporary and permanent bracing is always required for stability and to prevent collapse with possible personal injury and property damage. For general guidance regarding the fabrication, storage, delivery, erection and bracing of trusses and truss systems, see **ANSI/TPI1 Quality Criteria, DSB-89 and BCSI Building Component Safety Information** available from Truss Plate Institute, 218 N. Lee Street, Suite 312, Alexandria, VA 22314.

ENGINEERING BY
TRENCO
A MiTek Affiliate

818 Soundside Road
Edenton, NC 27932

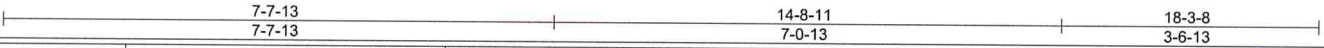
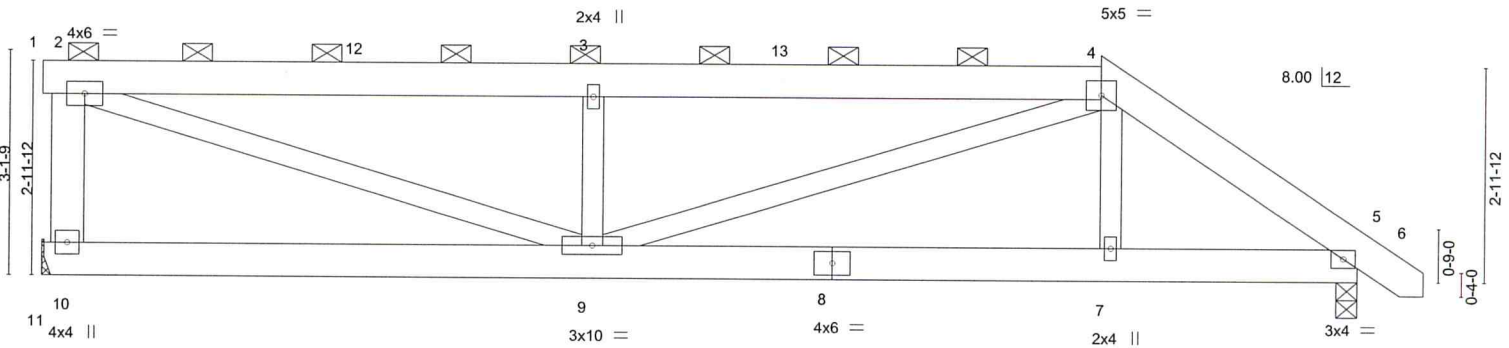
Job J0320-1189	Truss B5	Truss Type ROOF SPECIAL	Qty 1	Ply 1	Lot 39 Blackberry Manor E13912804
Comtech, Inc., Fayetteville, NC 28309					Job Reference (optional)

8.130 s Mar 11 2018 MiTek Industries, Inc. Thu Jan 2 07:31:47 2020 Page 1

ID:KHiM10Q_9dy0362zrkFfqAyJzV8-IX5MCbGvgTAjfv3O?429QxX2F9Yq9a1AVg4KfzzzT_w



Scale = 1:32.3



LOADING (psf)	SPACING-	2-0-0	CSI.	DEFL.	in (loc)	l/defl	L/d	PLATES	GRIP
TCLL 20.0	Plate Grip DOL	1.15	TC 0.19	Vert(LL)	-0.04	9	>999	MT20	244/190
TCDL 10.0	Lumber DOL	1.15	BC 0.17	Vert(CT)	-0.08	7-9	>999		
BCLL 0.0 *	Rep Stress Incr	YES	WB 0.51	Horz(CT)	0.01	5	n/a		
BCDL 10.0	Code IRC2015/TPI2014		Matrix-S	Wind(LL)	0.03	9	>999		
								Weight: 123 lb	FT = 20%

LUMBER-

TOP CHORD 2x6 SP No.1
 BOT CHORD 2x6 SP No.1
 WEBS 2x4 SP No.3 *Except*
 2-10: 2x6 SP No.1

BRACING-

TOP CHORD Structural wood sheathing directly applied or 6-0-0 oc purlins, except end verticals, and 2-0-0 oc purlins (6-0-0 max.): 1-4.
 BOT CHORD Rigid ceiling directly applied or 10-0-0 oc bracing.

REACTIONS.

(lb/size) 10=739/Mechanical, 5=767/0-3-8
 Max Horz 10=-89(LC 13)
 Max Uplift 10=-86(LC 8), 5=-46(LC 8)
 Max Grav 10=739(LC 1), 5=767(LC 24)

FORCES.

(lb) - Max. Comp./Max. Ten. - All forces 250 (lb) or less except when shown.
 TOP CHORD 2-10=-641/231, 2-3=-1308/325, 3-4=-1310/327, 4-5=-1089/243
 BOT CHORD 7-9=-117/824, 5-7=-114/832
 WEBS 2-9=-310/1232, 3-9=-462/237, 4-9=-99/554, 4-7=0/250

NOTES-

- 1) Unbalanced roof live loads have been considered for this design.
- 2) Wind: ASCE 7-10; Vult=130mph (3-second gust) Vasd=103mph; TC DL=6.0psf; BCDL=6.0psf; h=15ft; Cat. II; Exp C; enclosed; MWFRS (envelope) and C-C Exterior(2) 0-0-0 to 4-4-13, Interior(1) 4-4-13 to 14-8-11, Exterior(2) 14-8-11 to 19-0-9 zone; C-C for members and forces & MWFRS for reactions shown; Lumber DOL=1.60 plate grip DOL=1.60
- 3) Provide adequate drainage to prevent water ponding.
- 4) This truss has been designed for a 10.0 psf bottom chord live load nonconcurrent with any other live loads.
- 5) * This truss has been designed for a live load of 30.0psf on the bottom chord in all areas with a clearance greater than 6-0-0 between the bottom chord and any other members.
- 6) Refer to girder(s) for truss to truss connections.
- 7) Provide mechanical connection (by others) of truss to bearing plate capable of withstanding 100 lb uplift at joint(s) 10, 5.
- 8) Graphical purlin representation does not depict the size or the orientation of the purlin along the top and/or bottom chord.



January 2, 2020

WARNING - Verify design parameters and READ NOTES ON THIS AND INCLUDED MITEK REFERENCE PAGE MII-7473 rev. 10/03/2015 BEFORE USE.

Design valid for use only with MiTek® connectors. This design is based only upon parameters shown, and is for an individual building component, not a truss system. Before use, the building designer must verify the applicability of design parameters and properly incorporate this design into the overall building design. Bracing indicated is to prevent buckling of individual truss web and/or chord members only. Additional temporary and permanent bracing is always required for stability and to prevent collapse with possible personal injury and property damage. For general guidance regarding the fabrication, storage, delivery, erection and bracing of trusses and truss systems, see **ANSI/TPI1 Quality Criteria, DSB-89 and BCSI Building Component Safety Information** available from Truss Plate Institute, 218 N. Lee Street, Suite 312, Alexandria, VA 22314.



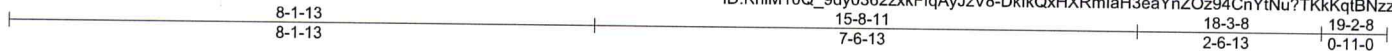
818 Soundside Road
 Edenton, NC 27932

Job	Truss	Truss Type	Qty	Ply	Lot 39 Blackberry Manor	E13912805
J0320-1189	B6	ROOF SPECIAL	1	1		

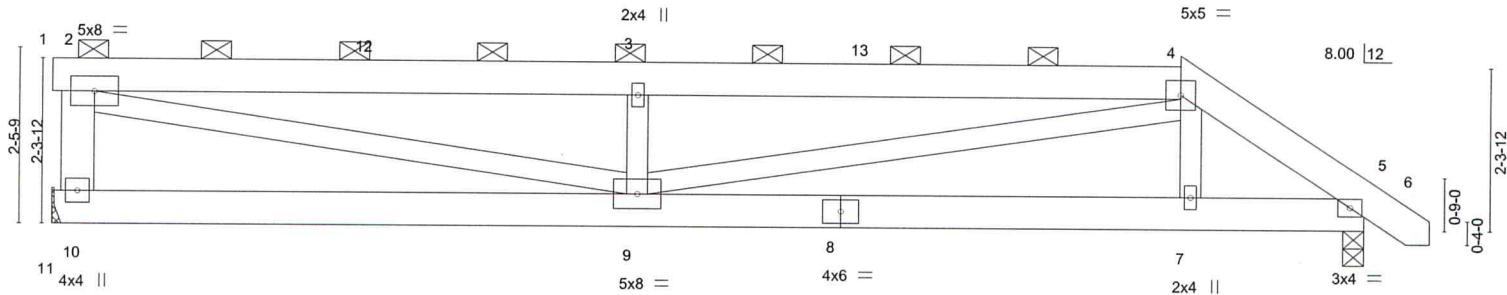
Comtech, Inc., Fayetteville, NC 28309

8.130 s Mar 11 2018 MiTek Industries, Inc. Thu Jan 2 07:31:48 2020 Page 1
 ID:KHiM10Q_9dy0362zxkFfqAyJzV8-DkfkQxHXRmlaH3eaYnZOz94CnYtNu?TKkKqIBNzzT_v

Job Reference (optional)



Scale = 1:32.3



LOADING (psf)	SPACING-	2-0-0	CSI.	DEFL.	in (loc)	l/defl	L/d	PLATES	GRIP
TCLL 20.0	Plate Grip DOL	1.15	TC 0.27	Vert(LL)	-0.07	9	>999	MT20	244/190
TCDL 10.0	Lumber DOL	1.15	BC 0.21	Vert(CT)	-0.14	7-9	>999		
BCLL 0.0 *	Rep Stress Incr	YES	WB 0.63	Horz(CT)	0.01	5	n/a		
BCDL 10.0	Code IRC2015/TPI2014		Matrix-S	Wind(LL)	0.06	9	>999		
								Weight: 120 lb	FT = 20%

LUMBER-

TOP CHORD 2x6 SP No.1
 BOT CHORD 2x6 SP No.1
 WEBS 2x4 SP No.3 *Except*
 2-10: 2x6 SP No.1

BRACING-

TOP CHORD Structural wood sheathing directly applied or 6-0-0 oc purlins, except end verticals, and 2-0-0 oc purlins (5-6-1 max.): 1-4.
 BOT CHORD Rigid ceiling directly applied or 10-0-0 oc bracing.

REACTIONS.

(lb/size) 10=739/Mechanical, 5=767/0-3-8
 Max Horz 10=-67(LC 13)
 Max Uplift 10=-86(LC 8), 5=-56(LC 8)

FORCES. (lb) - Max. Comp./Max. Ten. - All forces 250 (lb) or less except when shown.

TOP CHORD 2-10=-620/227, 2-3=-1757/417, 3-4=-1757/417, 4-5=-1200/255
 BOT CHORD 9-10=-28/286, 7-9=-154/931, 5-7=-149/945
 WEBS 2-9=-364/1512, 3-9=-454/242, 4-9=-180/850, 4-7=0/293

NOTES-

- 1) Wind: ASCE 7-10; Vult=130mph (3-second gust) Vasd=103mph; TCDL=6.0psf; BCDL=6.0psf; h=15ft; Cat. II; Exp C; enclosed; MWFRS (envelope) and C-C Exterior(2) 0-0-0 to 4-4-13, Interior(1) 4-4-13 to 15-8-11, Exterior(2) 15-8-11 to 19-0-9 zone; C-C for members and forces & MWFRS for reactions shown; Lumber DOL=1.60 plate grip DOL=1.60
- 2) Provide adequate drainage to prevent water ponding.
- 3) This truss has been designed for a 10.0 psf bottom chord live load nonconcurrent with any other live loads.
- 4) * This truss has been designed for a live load of 30.0psf on the bottom chord in all areas with a clearance greater than 6-0-0 between the bottom chord and any other members.
- 5) Refer to girder(s) for truss to truss connections.
- 6) Provide mechanical connection (by others) of truss to bearing plate capable of withstanding 100 lb uplift at joint(s) 10, 5.
- 7) Graphical purlin representation does not depict the size or the orientation of the purlin along the top and/or bottom chord.



January 2, 2020

WARNING - Verify design parameters and READ NOTES ON THIS AND INCLUDED MITEK REFERENCE PAGE MII-7473 rev. 10/03/2015 BEFORE USE.

Design valid for use only with MiTek® connectors. This design is based only upon parameters shown, and is for an individual building component, not a truss system. Before use, the building designer must verify the applicability of design parameters and properly incorporate this design into the overall building design. Bracing indicated is to prevent buckling of individual truss web and/or chord members only. Additional temporary and permanent bracing is always required for stability and to prevent collapse with possible personal injury and property damage. For general guidance regarding the fabrication, storage, delivery, erection and bracing of trusses and truss systems, see **ANSI/TPI1 Quality Criteria, DSB-89 and BCSI Building Component Safety Information** available from Truss Plate Institute, 218 N. Lee Street, Suite 312, Alexandria, VA 22314.

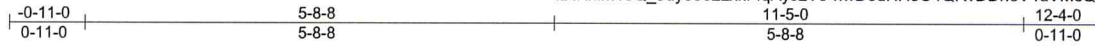


818 Soundside Road
 Edenton, NC 27932

Job J0320-1189	Truss C1GE	Truss Type COMMON SUPPORTED GAB	Qty 1	Ply 1	Lot 39 Blackberry Manor	E13912806
-------------------	---------------	------------------------------------	----------	----------	-------------------------	-----------

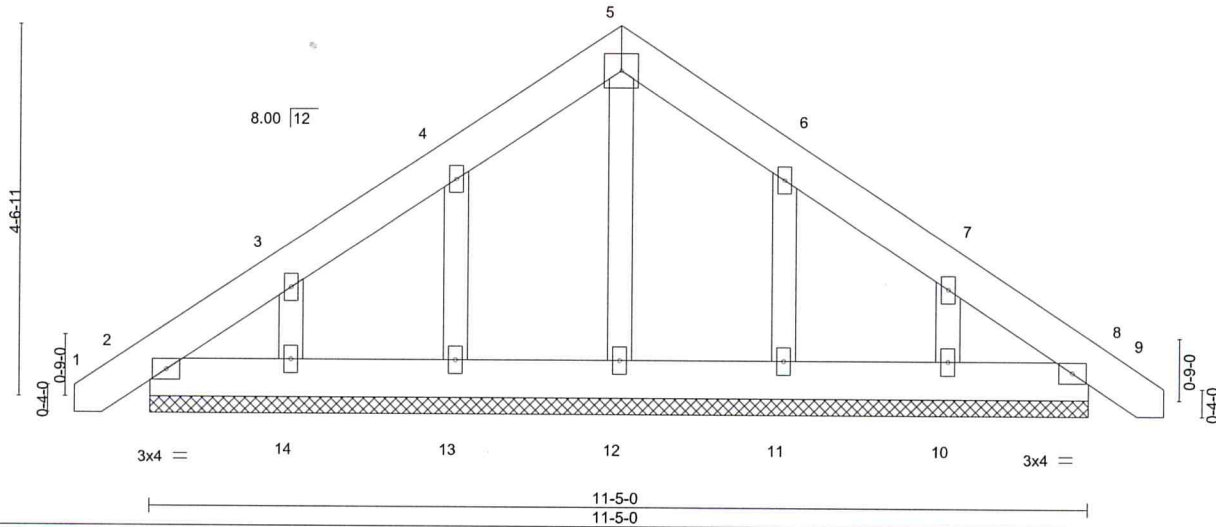
Comtech, Inc., Fayetteville, NC 28309

8.130 s Mar 11 2018 MiTek Industries, Inc. Thu Jan 2 07:31:49 2020 Page 1
 ID:KHiM10Q_9dy0362zrkFfqAyJzV8-hwD6dHH9C4QRvDDn6V4dVMcQUyFldbyTz_ZRjqzT_u



5x5 =

Scale = 1:28.3



LOADING (psf)	SPACING-	2-0-0	CSI.	DEFL.	in	(loc)	l/defl	L/d	PLATES	GRIP
TCLL 20.0	Plate Grip DOL	1.15	TC 0.02	Vert(LL)	-0.00	8	n/r	120	MT20	244/190
TCDL 10.0	Lumber DOL	1.15	BC 0.01	Vert(CT)	0.00	8	n/r	120		
BCLL 0.0 *	Rep Stress Incr	YES	WB 0.04	Horz(CT)	0.00	8	n/a	n/a		
BCDL 10.0	Code	IRC2015/TPI2014	Matrix-S						Weight: 80 lb	FT = 20%

LUMBER-
 TOP CHORD 2x6 SP No.1
 BOT CHORD 2x6 SP No.1
 OTHERS 2x4 SP No.3

BRACING-
 TOP CHORD Structural wood sheathing directly applied or 6-0-0 oc purlins.
 BOT CHORD Rigid ceiling directly applied or 10-0-0 oc bracing.

REACTIONS. All bearings 11-5-0.
 (lb) - Max Horz 2--129(LC 10)
 Max Uplift All uplift 100 lb or less at joint(s) 2, 8, 13, 11, 10 except 14--101(LC 12)
 Max Grav All reactions 250 lb or less at joint(s) 2, 8, 12, 13, 14, 11, 10

FORCES. (lb) - Max. Comp./Max. Ten. - All forces 250 (lb) or less except when shown.

NOTES-

- 1) Unbalanced roof live loads have been considered for this design.
- 2) Wind: ASCE 7-10; Vult=130mph (3-second gust) Vasd=103mph; TCDL=6.0psf; BCDL=6.0psf; h=15ft; Cat. II; Exp C; enclosed; MWFRS (envelope) gable end zone and C-C Exterior(2) zone; C-C for members and forces & MWFRS for reactions shown; Lumber DOL=1.60 plate grip DOL=1.60
- 3) Truss designed for wind loads in the plane of the truss only. For studs exposed to wind (normal to the face), see Standard Industry Gable End Details as applicable, or consult qualified building designer as per ANSI/TPI 1.
- 4) All plates are 2x4 MT20 unless otherwise indicated.
- 5) Gable requires continuous bottom chord bearing.
- 6) Gable studs spaced at 2-0-0 oc.
- 7) This truss has been designed for a 10.0 psf bottom chord live load nonconcurrent with any other live loads.
- 8) * This truss has been designed for a live load of 30.0psf on the bottom chord in all areas with a clearance greater than 6-0-0 between the bottom chord and any other members.
- 9) Provide mechanical connection (by others) of truss to bearing plate capable of withstanding 100 lb uplift at joint(s) 2, 8, 13, 11, 10 except (jt=lb) 14=101.
- 10) Beveled plate or shim required to provide full bearing surface with truss chord at joint(s) 8.



January 2, 2020

WARNING - Verify design parameters and READ NOTES ON THIS AND INCLUDED MITEK REFERENCE PAGE MI-7473 rev. 10/03/2015 BEFORE USE.

Design valid for use only with MiTek® connectors. This design is based only upon parameters shown, and is for an individual building component, not a truss system. Before use, the building designer must verify the applicability of design parameters and properly incorporate this design into the overall building design. Bracing indicated is to prevent buckling of individual truss web and/or chord members only. Additional temporary and permanent bracing is always required for stability and to prevent collapse with possible personal injury and property damage. For general guidance regarding the fabrication, storage, delivery, erection and bracing of trusses and truss systems, see **ANSI/TPI1 Quality Criteria, DSB-89 and BCSI Building Component Safety Information** available from Truss Plate Institute, 218 N. Lee Street, Suite 312, Alexandria, VA 22314.



818 Soundside Road
 Edenton, NC 27932

Job J0320-1189	Truss M1	Truss Type MONOPITCH	Qty 6	Ply 1	Lot 39 Blackberry Manor E13912807
Comtech, Inc., Fayetteville, NC 28309					Job Reference (optional)

8.130 s Mar 11 2018 MiTek Industries, Inc. Thu Jan 2 07:31:49 2020 Page 1
 ID:KhiM10Q_9dy0362zxkFfqAyJzV8-hwD6dHH9C4QRvDDn6V4dVMcOqyEzdbVTz_ZRjqqzT_u

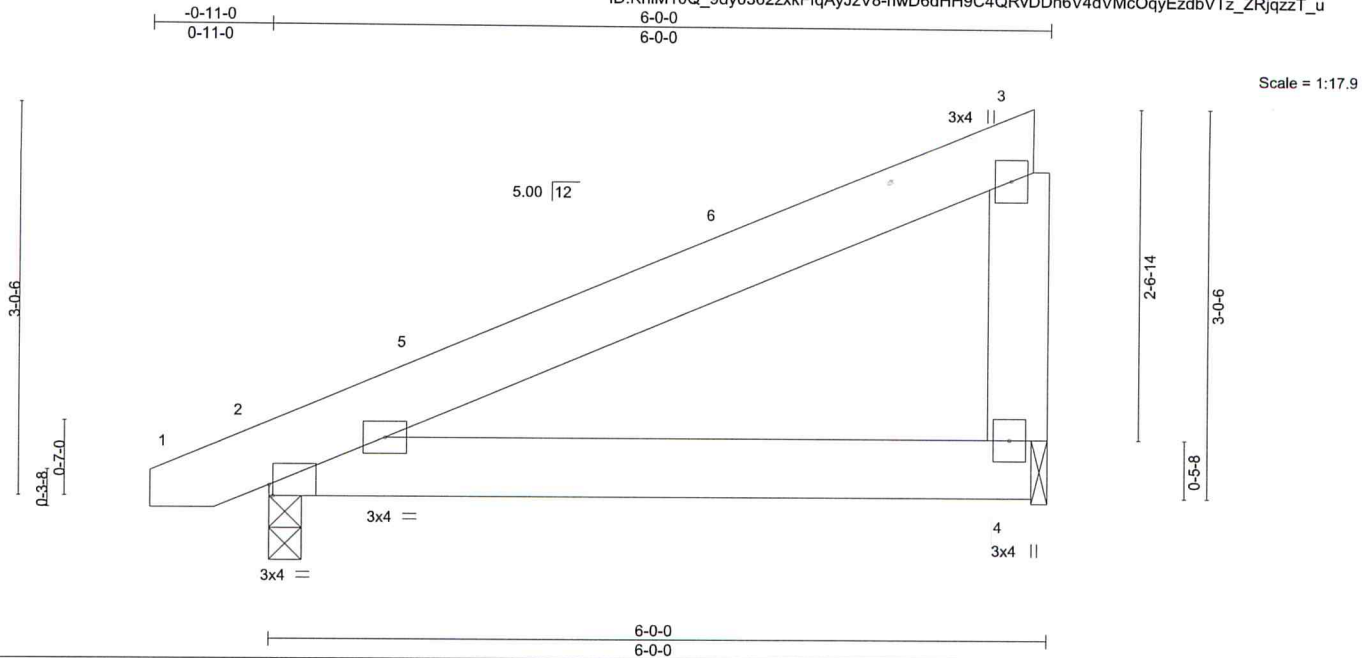


Plate Offsets (X,Y)-- [2:0-0-6,Edge]

LOADING (psf)	SPACING-	2-0-0	CSI.	DEFL.	in (loc)	l/defl	L/d	PLATES	GRIP
TCLL 20.0	Plate Grip DOL	1.15	TC 0.19	Vert(LL)	-0.01	2-4	>999	MT20	244/190
TCDL 10.0	Lumber DOL	1.15	BC 0.12	Vert(CT)	-0.03	2-4	>999		
BCLL 0.0 *	Rep Stress Incr	YES	WB 0.00	Horz(CT)	0.00		n/a		
BCDL 10.0	Code IRC2015/TPI2014		Matrix-P	Wind(LL)	0.03	2-4	>999	Weight: 36 lb	FT = 20%

LUMBER-

TOP CHORD 2x6 SP No.1
 BOT CHORD 2x6 SP No.1
 WEBS 2x6 SP No.1

BRACING-

TOP CHORD Structural wood sheathing directly applied or 6-0-0 oc purlins, except end verticals.
 BOT CHORD Rigid ceiling directly applied or 10-0-0 oc bracing.

REACTIONS. (lb/size) 2=277/0-3-0, 4=222/0-1-8
 Max Horz 2=86(LC 12)
 Max Uplift 2=-72(LC 8), 4=-74(LC 8)

FORCES. (lb) - Max. Comp./Max. Ten. - All forces 250 (lb) or less except when shown.

NOTES-

- 1) Wind: ASCE 7-10; Vult=130mph (3-second gust) Vasd=103mph; TCDL=6.0psf; BCDL=6.0psf; h=15ft; Cat. II; Exp C; enclosed; MWFRS (envelope) and C-C Exterior(2) -0-8-1 to 3-8-12, Interior(1) 3-8-12 to 5-9-4 zone; porch left exposed;C-C for members and forces & MWFRS for reactions shown; Lumber DOL=1.60 plate grip DOL=1.60
- 2) This truss has been designed for a 10.0 psf bottom chord live load nonconcurrent with any other live loads.
- 3) * This truss has been designed for a live load of 30.0psf on the bottom chord in all areas with a clearance greater than 6-0-0 between the bottom chord and any other members.
- 4) Bearing at joint(s) 4 considers parallel to grain value using ANSI/TPI 1 angle to grain formula. Building designer should verify capacity of bearing surface.
- 5) Provide mechanical connection (by others) of truss to bearing plate at joint(s) 4.
- 6) Provide mechanical connection (by others) of truss to bearing plate capable of withstanding 100 lb uplift at joint(s) 2, 4.
- 7) See Standard Industry Piggyback Truss Connection Detail for Connection to base truss as applicable, or consult qualified building designer.



January 2, 2020

WARNING - Verify design parameters and READ NOTES ON THIS AND INCLUDED MITEK REFERENCE PAGE MII-7473 rev. 10/03/2015 BEFORE USE.

Design valid for use only with MiTek® connectors. This design is based only upon parameters shown, and is for an individual building component, not a truss system. Before use, the building designer must verify the applicability of design parameters and properly incorporate this design into the overall building design. Bracing indicated is to prevent buckling of individual truss web and/or chord members only. Additional temporary and permanent bracing is always required for stability and to prevent collapse with possible personal injury and property damage. For general guidance regarding the fabrication, storage, delivery, erection and bracing of trusses and truss systems, see **ANSI/TPI1 Quality Criteria, DSB-89 and BCSI Building Component Safety Information** available from Truss Plate Institute, 218 N. Lee Street, Suite 312, Alexandria, VA 22314.

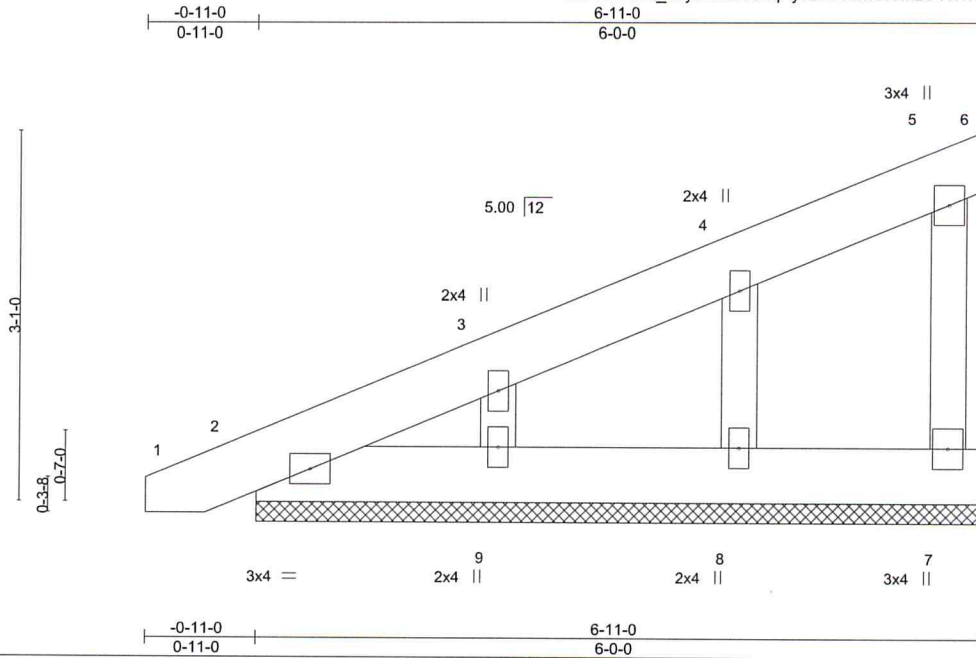


818 Soundside Road
 Edenton, NC 27932

Job J0320-1189	Truss M1GE	Truss Type MONOPITCH SUPPORTED	Qty 1	Ply 1	Lot 39 Blackberry Manor	E13912808
					Job Reference (optional)	

Comtech, Inc., Fayetteville, NC 28309

8.130 s Mar 11 2018 MiTek Industries, Inc. Thu Jan 2 07:31:50 2020 Page 1
ID:KhiM10Q_9dy0362zxkFfqAyJzV8-A6nUrdlnzOYIWNNozgCbs2a9bFMb_M21dCeJ_GGzzT_t



LOADING (psf)	SPACING-	2-0-0	CSI.	DEFL.	in (loc)	l/defl	L/d	PLATES	GRIP
TCLL 20.0	Plate Grip DOL	1.15	TC 0.02	Vert(LL)	-0.00	1	n/r	MT20	244/190
TCDL 10.0	Lumber DOL	1.15	BC 0.01	Vert(CT)	0.00	1	n/r		
BCLL 0.0 *	Rep Stress Incr	YES	WB 0.05	Horz(CT)	-0.00	6	n/a		
BCDL 10.0	Code IRC2015/TPI2014		Matrix-P						
								Weight: 38 lb	FT = 20%

LUMBER-	BRACING-
TOP CHORD 2x6 SP No.1	TOP CHORD Structural wood sheathing directly applied or 6-0-0 oc purlins, except end verticals.
BOT CHORD 2x6 SP No.1	BOT CHORD Rigid ceiling directly applied or 10-0-0 oc bracing.
WEBS 2x4 SP No.3	
OTHERS 2x4 SP No.3	

REACTIONS. All bearings 6-0-0.
 (lb) - Max Horz 2=129(LC 12)
 Max Uplift All uplift 100 lb or less at joint(s) 6, 7, 2, 8, 9
 Max Grav All reactions 250 lb or less at joint(s) 6, 7, 2, 8, 9

FORCES. (lb) - Max. Comp./Max. Ten. - All forces 250 (lb) or less except when shown.

- NOTES-**
- 1) Wind: ASCE 7-10; Vult=130mph (3-second gust) Vasd=103mph; TCDL=6.0psf; BCDL=6.0psf; h=15ft; Cat. II; Exp C; enclosed; MWFRS (envelope) gable end zone and C-C Exterior(2) zone; porch left exposed;C-C for members and forces & MWFRS for reactions shown; Lumber DOL=1.60 plate grip DOL=1.60
 - 2) Truss designed for wind loads in the plane of the truss only. For studs exposed to wind (normal to the face), see Standard Industry Gable End Details as applicable, or consult qualified building designer as per ANSI/TPI 1.
 - 3) Gable requires continuous bottom chord bearing.
 - 4) Gable studs spaced at 2-0-0 oc.
 - 5) This truss has been designed for a 10.0 psf bottom chord live load nonconcurrent with any other live loads.
 - 6) * This truss has been designed for a live load of 30.0psf on the bottom chord in all areas with a clearance greater than 6-0-0 between the bottom chord and any other members.
 - 7) Provide mechanical connection (by others) of truss to bearing plate capable of withstanding 100 lb uplift at joint(s) 6, 7, 2, 8, 9.
 - 8) See Standard Industry Piggyback Truss Connection Detail for Connection to base truss as applicable, or consult qualified building designer.



January 2, 2020

Job	Truss	Truss Type	Qty	Ply	Lot 39 Blackberry Manor	E13912809
J0320-1189	M2	MONOPITCH	3	1		
Comtech, Inc., Fayetteville, NC 28309					Job Reference (optional)	

8.130 s Mar 11 2018 MiTek Industries, Inc. Thu Jan 2 07:31:51 2020 Page 1
 ID:KHiM10Q_9dy0362zxfqAyJzV8-eJKs2zJPkhg98XN9Ev65bnihZmui5V_mQI2XoizzT_s



Scale: 1/2"=1'

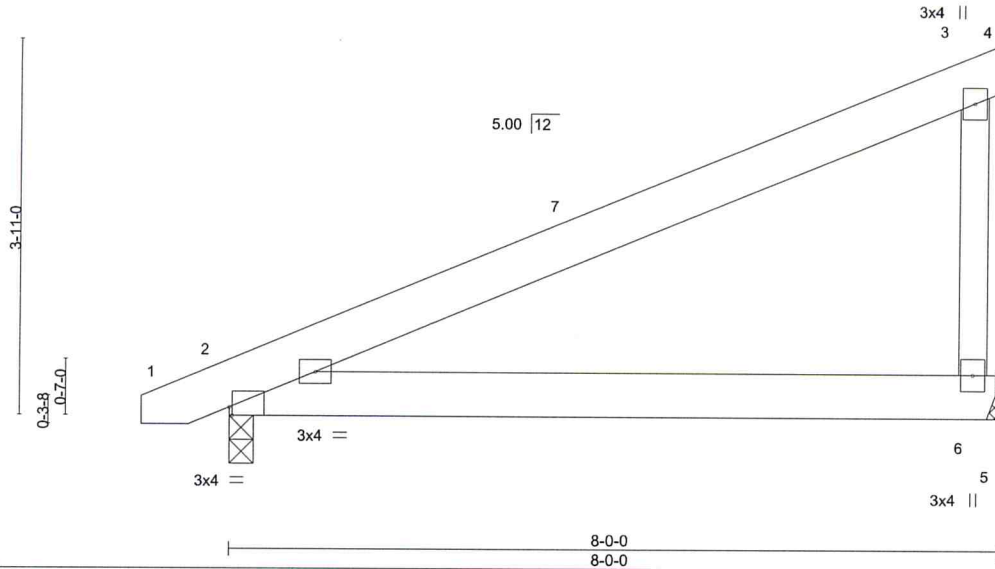


Plate Offsets (X,Y)-- [2:0-0-6,Edge]

LOADING (psf)	SPACING-	2-0-0	CSI.	DEFL.	in (loc)	l/defl	L/d	PLATES	GRIP
TCLL 20.0	Plate Grip DOL	1.15	TC 0.37	Vert(LL)	-0.05	2-6	>999	MT20	244/190
TCDL 10.0	Lumber DOL	1.15	BC 0.24	Vert(CT)	-0.09	2-6	>999		
BCLL 0.0 *	Rep Stress Incr	YES	WB 0.00	Horz(CT)	0.00		n/a		
BCDL 10.0	Code IRC2015/TPI2014		Matrix-P	Wind(LL)	0.10	2-6	>923		
								Weight: 46 lb	FT = 20%

LUMBER-

TOP CHORD 2x6 SP No.1
 BOT CHORD 2x6 SP No.1
 WEBS 2x4 SP No.3

BRACING-

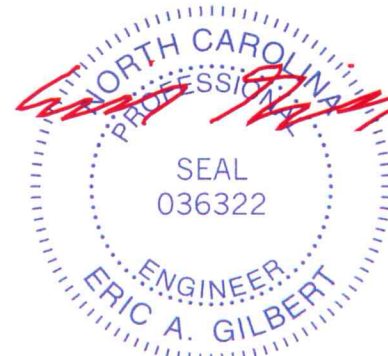
TOP CHORD Structural wood sheathing directly applied or 6-0-0 oc purlins, except end verticals.
 BOT CHORD Rigid ceiling directly applied or 10-0-0 oc bracing.

REACTIONS. (lb/size) 6=313/Mechanical, 2=354/0-3-0
 Max Horz 2=116(LC 12)
 Max Uplift 6=-99(LC 8), 2=-89(LC 8)

FORCES. (lb) - Max. Comp./Max. Ten. - All forces 250 (lb) or less except when shown.

NOTES-

- 1) Wind: ASCE 7-10; Vult=130mph (3-second gust) Vasd=103mph; TCDL=6.0psf; BCDL=6.0psf; h=15ft; Cat. II; Exp C; enclosed; MWFRS (envelope) and C-C Exterior(2) -0-8-1 to 3-8-12, Interior(1) 3-8-12 to 8-0-0 zone; porch left exposed;C-C for members and forces & MWFRS for reactions shown; Lumber DOL=1.60 plate grip DOL=1.60
- 2) This truss has been designed for a 10.0 psf bottom chord live load nonconcurrent with any other live loads.
- 3) * This truss has been designed for a live load of 30.0psf on the bottom chord in all areas with a clearance greater than 6-0-0 between the bottom chord and any other members.
- 4) Refer to girder(s) for truss to truss connections.
- 5) Provide mechanical connection (by others) of truss to bearing plate capable of withstanding 100 lb uplift at joint(s) 6, 2.
- 6) See Standard Industry Piggyback Truss Connection Detail for Connection to base truss as applicable, or consult qualified building designer.



January 2, 2020

WARNING - Verify design parameters and READ NOTES ON THIS AND INCLUDED MITEK REFERENCE PAGE MII-7473 rev. 10/03/2015 BEFORE USE.

Design valid for use only with MiTek® connectors. This design is based only upon parameters shown, and is for an individual building component, not a truss system. Before use, the building designer must verify the applicability of design parameters and properly incorporate this design into the overall building design. Bracing indicated is to prevent buckling of individual truss web and/or chord members only. Additional temporary and permanent bracing is always required for stability and to prevent collapse with possible personal injury and property damage. For general guidance regarding the fabrication, storage, delivery, erection and bracing of trusses and truss systems, see **ANSI/TPI1 Quality Criteria, DSB-89 and BCSI Building Component Safety Information** available from Truss Plate Institute, 218 N. Lee Street, Suite 312, Alexandria, VA 22314.



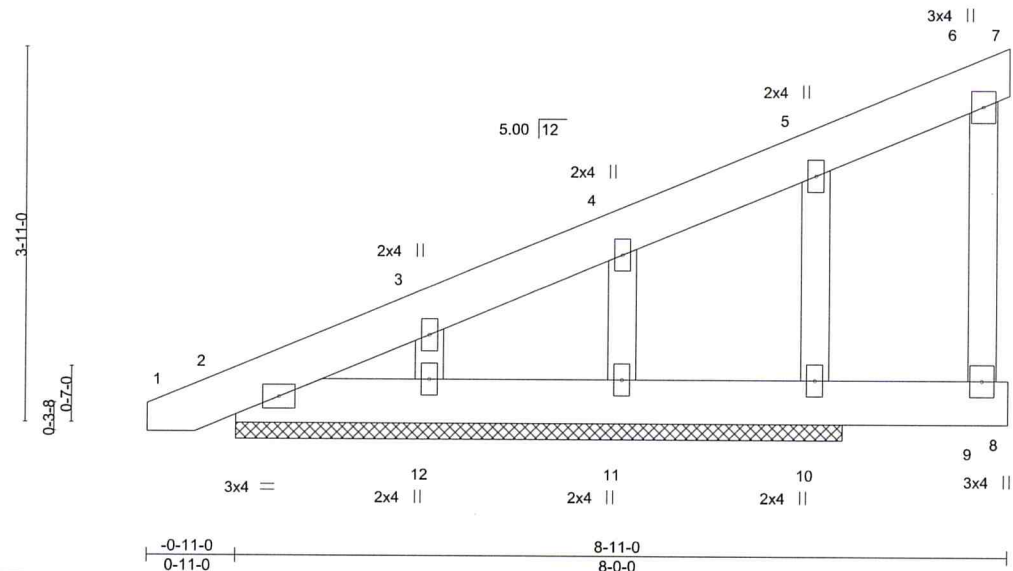
818 Soundside Road
 Edenton, NC 27932

Job J0320-1189	Truss M2GE	Truss Type MONOPITCH SUPPORTED	Qty 1	Ply 1	Lot 39 Blackberry Manor	E13912810
Comtech, Inc., Fayetteville, NC 28309					Job Reference (optional)	

8.130 s Mar 11 2018 MiTek Industries, Inc. Thu Jan 2 07:31:52 2020 Page 1
 ID:KHiM10Q_9dy0362zrkFfqAyJzV8-6VuFGJK1V?p?mhyLndeK7?ExHAHuqySvfy05K8zzT_r



Scale: 1/2"=1'



LOADING (psf)	SPACING-	CSI.	DEFL.	PLATES	GRIP
TCLL 20.0	2-0-0	TC 0.05	in (loc) l/defl L/d	MT20	244/190
TCDL 10.0	Plate Grip DOL 1.15	BC 0.05	Vert(LL) 0.00 6-7 n/r 120		
BCLL 0.0 *	Lumber DOL 1.15	WB 0.05	Vert(CT) -0.00 6-7 n/r 120		
BCDL 10.0	Rep Stress Incr YES	Matrix-S	Horz(CT) -0.00 10 n/a n/a		
	Code IRC2015/TPI2014			Weight: 52 lb	FT = 20%

LUMBER-
 TOP CHORD 2x6 SP No.1
 BOT CHORD 2x6 SP No.1
 WEBS 2x4 SP No.3
 OTHERS 2x4 SP No.3

BRACING-
 TOP CHORD Structural wood sheathing directly applied or 6-0-0 oc purlins, except end verticals.
 BOT CHORD Rigid ceiling directly applied or 6-0-0 oc bracing, Except: 10-0-0 oc bracing: 8-9.

REACTIONS. All bearings 6-3-8.
 (lb) - Max Horz 2=167(LC 12)
 Max Uplift All uplift 100 lb or less at joint(s) 11, 12 except 10=118(LC 12)
 Max Grav All reactions 250 lb or less at joint(s) 2, 11, 12 except 10=294(LC 1)

FORCES. (lb) - Max. Comp./Max. Ten. - All forces 250 (lb) or less except when shown.

- NOTES-**
- 1) Wind: ASCE 7-10; Vult=130mph (3-second gust) Vasd=103mph; TCDL=6.0psf; BCDL=6.0psf; h=15ft; Cat. II; Exp C; enclosed; MWFRS (envelope) gable end zone and C-C Exterior(2) zone; porch left exposed; C-C for members and forces & MWFRS for reactions shown; Lumber DOL=1.60 plate grip DOL=1.60
 - 2) Truss designed for wind loads in the plane of the truss only. For studs exposed to wind (normal to the face), see Standard Industry Gable End Details as applicable, or consult qualified building designer as per ANSI/TPI 1.
 - 3) Gable studs spaced at 2-0-0 oc.
 - 4) This truss has been designed for a 10.0 psf bottom chord live load nonconcurrent with any other live loads.
 - 5) * This truss has been designed for a live load of 30.0psf on the bottom chord in all areas with a clearance greater than 6-0-0 between the bottom chord and any other members.
 - 6) Provide mechanical connection (by others) of truss to bearing plate capable of withstanding 100 lb uplift at joint(s) 11, 12 except (jt=lb) 10=118.
 - 7) Non Standard bearing condition. Review required.
 - 8) See Standard Industry Piggyback Truss Connection Detail for Connection to base truss as applicable, or consult qualified building designer.



January 2, 2020

WARNING - Verify design parameters and READ NOTES ON THIS AND INCLUDED MITEK REFERENCE PAGE MII-7473 rev. 10/03/2015 BEFORE USE.
 Design valid for use only with MiTek® connectors. This design is based only upon parameters shown, and is for an individual building component, not a truss system. Before use, the building designer must verify the applicability of design parameters and properly incorporate this design into the overall building design. Bracing indicated is to prevent buckling of individual truss web and/or chord members only. Additional temporary and permanent bracing is always required for stability and to prevent collapse with possible personal injury and property damage. For general guidance regarding the fabrication, storage, delivery, erection and bracing of trusses and truss systems, see **ANSI/TPI1 Quality Criteria, DSB-89 and BCSI Building Component Safety Information** available from Truss Plate Institute, 218 N. Lee Street, Suite 312, Alexandria, VA 22314.

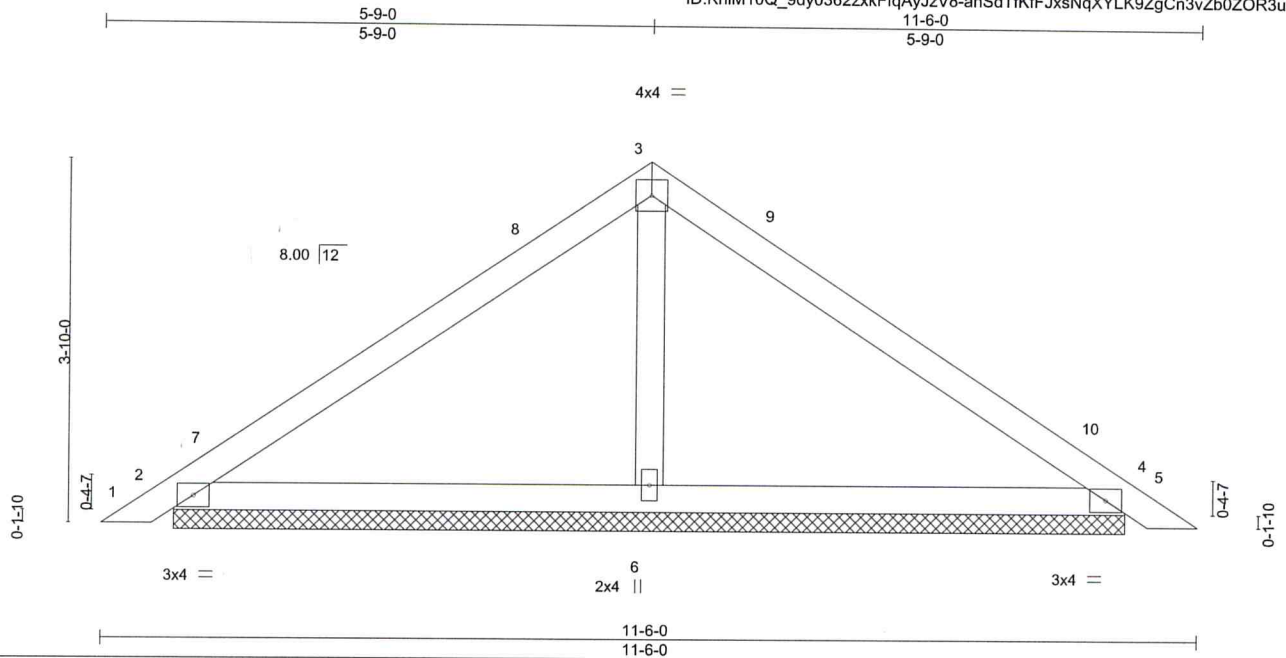


818 Soundside Road
 Edenton, NC 27932

Job	Truss	Truss Type	Qty	Ply	Lot 39 Blackberry Manor	E13912811
J0320-1189	PB	Piggyback	10	1		

Comtech, Inc., Fayetteville, NC 28309

8.130 s Mar 11 2018 MiTek Industries, Inc. Thu Jan 2 07:31:53 2020 Page 1
 ID:KHiM10Q_9dy0362zxkFfqAyJzV8-ahSdTKfFJxsNqXYLK9ZgCn3vZb0ZOR3ucXesbzzT_q



Scale = 1:24.3

LOADING (psf)	SPACING-	CSI.	DEFL.	PLATES	GRIP
TCLL 20.0	2-0-0	TC 0.25	in (loc) l/defl L/d	MT20	244/190
TCDL 10.0	Plate Grip DOL 1.15	BC 0.18	Vert(LL) 0.01 5 n/r 120		
BCLL 0.0 *	Lumber DOL 1.15	WB 0.07	Vert(CT) 0.02 5 n/r 120		
BCDL 10.0	Rep Stress Incr YES	Matrix-S	Horz(CT) 0.00 4 n/a n/a		
	Code IRC2015/TPI2014			Weight: 40 lb	FT = 20%

LUMBER-

TOP CHORD 2x4 SP No.1
 BOT CHORD 2x4 SP No.1
 OTHERS 2x4 SP No.3

BRACING-

TOP CHORD Structural wood sheathing directly applied or 6'-0-0 oc purlins.
 BOT CHORD Rigid ceiling directly applied or 10'-0-0 oc bracing.

REACTIONS.

(lb/size) 2=230/9-11-12, 4=230/9-11-12, 6=397/9-11-12
 Max Horz 2=-88(LC 10)
 Max Uplift 2=-32(LC 12), 4=-40(LC 13)

FORCES. (lb) - Max. Comp./Max. Ten. - All forces 250 (lb) or less except when shown.

NOTES-

- 1) Unbalanced roof live loads have been considered for this design.
- 2) Wind: ASCE 7-10; Vult=130mph (3-second gust) Vasd=103mph; TCDL=6.0psf; BCDL=6.0psf; h=15ft; Cat. II; Exp C; enclosed; MWFRS (envelope) and C-C Exterior(2) 0-3-2 to 4-7-15, Interior(1) 4-7-15 to 5-9-0, Exterior(2) 5-9-0 to 10-1-13 zone; C-C for members and forces & MWFRS for reactions shown; Lumber DOL=1.60 plate grip DOL=1.60
- 3) Gable requires continuous bottom chord bearing.
- 4) This truss has been designed for a 10.0 psf bottom chord live load nonconcurrent with any other live loads.
- 5) * This truss has been designed for a live load of 30.0psf on the bottom chord in all areas with a clearance greater than 6'-0-0 between the bottom chord and any other members.
- 6) Provide mechanical connection (by others) of truss to bearing plate capable of withstanding 100 lb uplift at joint(s) 2, 4.
- 7) See Standard Industry Piggyback Truss Connection Detail for Connection to base truss as applicable, or consult qualified building designer.



January 2, 2020

WARNING - Verify design parameters and READ NOTES ON THIS AND INCLUDED MITEK REFERENCE PAGE MII-7473 rev. 10/03/2015 BEFORE USE.

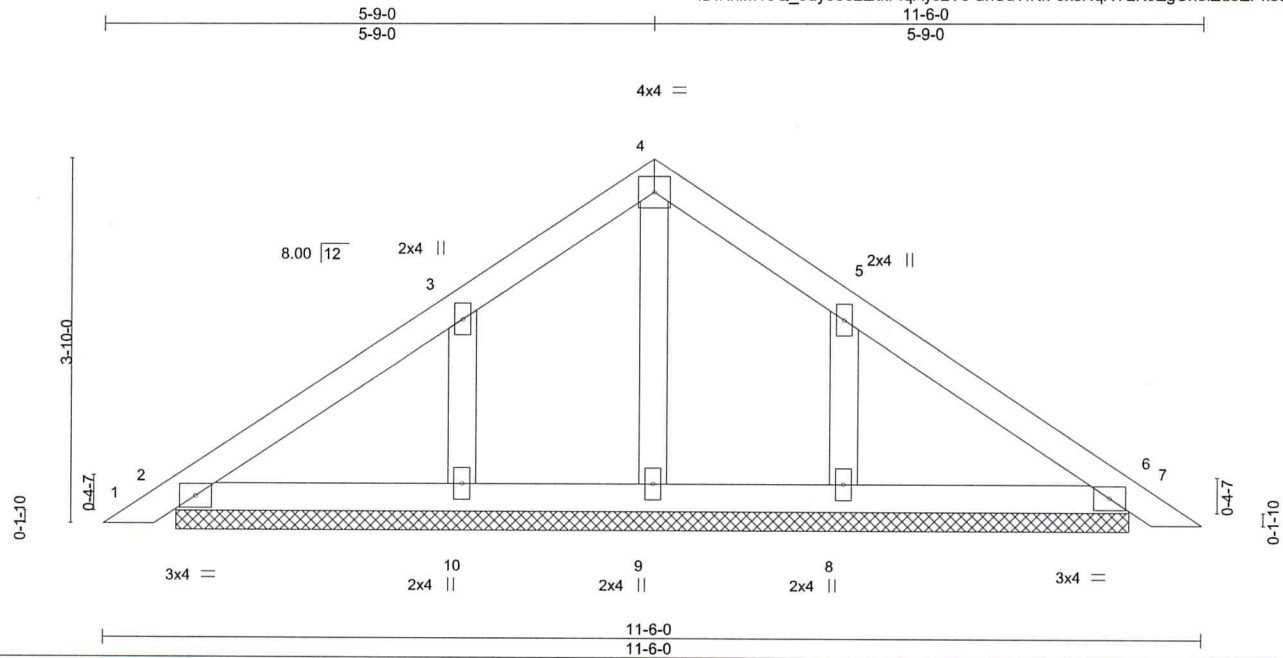
Design valid for use only with MiTek® connectors. This design is based only upon parameters shown, and is for an individual building component, not a truss system. Before use, the building designer must verify the applicability of design parameters and properly incorporate this design into the overall building design. Bracing indicated is to prevent buckling of individual truss web and/or chord members only. Additional temporary and permanent bracing is always required for stability and to prevent collapse with possible personal injury and property damage. For general guidance regarding the fabrication, storage, delivery, erection and bracing of trusses and truss systems, see **ANSI/TPI1 Quality Criteria, DSB-89 and BCSI Building Component Safety Information** available from Truss Plate Institute, 218 N. Lee Street, Suite 312, Alexandria, VA 22314.



818 Soundside Road
 Edenton, NC 27932

Job J0320-1189	Truss PBGE	Truss Type GABLE	Qty 1	Ply 1	Lot 39 Blackberry Manor	E13912812
Comtech, Inc., Fayetteville, NC 28309					Job Reference (optional)	

8.130 s Mar 11 2018 MiTek Industries, Inc. Thu Jan 2 07:31:53 2020 Page 1
 ID:KHiM10Q_9dy0362zxkFqAyJzV8-ahSdTfKfFJxsNqXYLK9ZgCn5iZd5ZPk3ucXesbzzT_q



Scale = 1:24.3

LOADING (psf)	SPACING-	2-0-0	CSI.	DEFL.	in (loc)	l/defl	L/d	PLATES	GRIP
TCLL 20.0	Plate Grip DOL	1.15	TC 0.07	Vert(LL)	0.00	7	n/r	MT20	244/190
TCDL 10.0	Lumber DOL	1.15	BC 0.05	Vert(CT)	0.00	7	n/r		
BCLL 0.0 *	Rep Stress Incr	YES	WB 0.05	Horz(CT)	0.00	6	n/a		
BCDL 10.0	Code	IRC2015/TPI2014	Matrix-S						
								Weight: 45 lb	FT = 20%

LUMBER-
 TOP CHORD 2x4 SP No.1
 BOT CHORD 2x4 SP No.1
 OTHERS 2x4 SP No.3

BRACING-
 TOP CHORD Structural wood sheathing directly applied or 6-0-0 oc purlins.
 BOT CHORD Rigid ceiling directly applied or 10-0-0 oc bracing.

REACTIONS. All bearings 9-11-12.
 (lb) - Max Horz 2=110(LC 10)
 Max Uplift All uplift 100 lb or less at joint(s) 2, 6 except 10=137(LC 12), 8=137(LC 13)
 Max Grav All reactions 250 lb or less at joint(s) 2, 6, 9 except 10=277(LC 19), 8=276(LC 20)

FORCES. (lb) - Max. Comp./Max. Ten. - All forces 250 (lb) or less except when shown.

NOTES-

- 1) Unbalanced roof live loads have been considered for this design.
- 2) Wind: ASCE 7-10; Vult=130mph (3-second gust) Vasd=103mph; TCDL=6.0psf; BCDL=6.0psf; h=15ft; Cat. II; Exp C; enclosed; MWFRS (envelope) gable end zone and C-C Exterior(2) zone; C-C for members and forces & MWFRS for reactions shown; Lumber DOL=1.60 plate grip DOL=1.60
- 3) Truss designed for wind loads in the plane of the truss only. For studs exposed to wind (normal to the face), see Standard Industry Gable End Details as applicable, or consult qualified building designer as per ANSI/TPI 1.
- 4) Gable requires continuous bottom chord bearing.
- 5) Gable studs spaced at 2-0-0 oc.
- 6) This truss has been designed for a 10.0 psf bottom chord live load nonconcurrent with any other live loads.
- 7) * This truss has been designed for a live load of 30.0psf on the bottom chord in all areas with a clearance greater than 6-0-0 between the bottom chord and any other members.
- 8) Provide mechanical connection (by others) of truss to bearing plate capable of withstanding 100 lb uplift at joint(s) 2, 6 except (jt=lb) 10=137, 8=137.
- 9) See Standard Industry Piggyback Truss Connection Detail for Connection to base truss as applicable, or consult qualified building designer.



January 2, 2020

WARNING - Verify design parameters and READ NOTES ON THIS AND INCLUDED MITTEK REFERENCE PAGE MII-7473 rev. 10/03/2015 BEFORE USE.

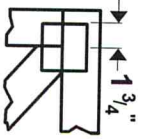
Design valid for use only with MiTek® connectors. This design is based only upon parameters shown, and is for an individual building component, not a truss system. Before use, the building designer must verify the applicability of design parameters and properly incorporate this design into the overall building design. Bracing indicated is to prevent buckling of individual truss web and/or chord members only. Additional temporary and permanent bracing is always required for stability and to prevent collapse with possible personal injury and property damage. For general guidance regarding the fabrication, storage, delivery, erection and bracing of trusses and truss systems, see **ANSI/TPI1 Quality Criteria, DSB-89 and BCSI Building Component Safety Information** available from Truss Plate Institute, 218 N. Lee Street, Suite 312, Alexandria, VA 22314.



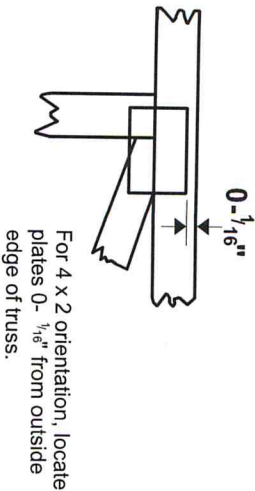
818 Soundside Road
 Edenton, NC 27932

Symbols

PLATE LOCATION AND ORIENTATION



Center plate on joint unless x, y offsets are indicated. Dimensions are in ft-in-sixteenths. Apply plates to both sides of truss and fully embed teeth.



This symbol indicates the required direction of slots in connector plates.

* Plate location details available in **MITek 20/20** software or upon request.

PLATE SIZE

4 X 4

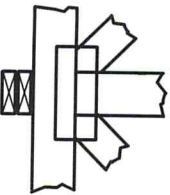
The first dimension is the plate width measured perpendicular to slots. Second dimension is the length parallel to slots.

LATERAL BRACING LOCATION



Indicated by symbol shown and/or by text in the bracing section of the output. Use T or I bracing if indicated.

BEARING



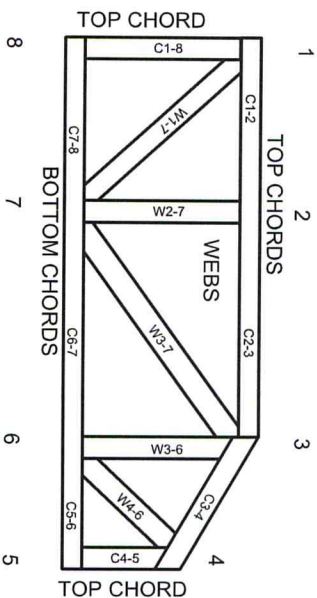
Indicates location where bearings (supports) occur. Icons vary but reaction section indicates joint number where bearings occur. Min size shown is for crushing only.

Industry Standards:

ANSI/TP11: National Design Specification for Metal Plate Connected Wood Truss Construction.
DSB-89: Design Standard for Bracing.
BCSI: Building Component Safety Information, Guide to Good Practice for Handling, Installing & Bracing of Metal Plate Connected Wood Trusses.

Numbering System

6-4-8 dimensions shown in ft-in-sixteenths (Drawings not to scale)



JOINTS ARE GENERALLY NUMBERED/LETTERED CLOCKWISE AROUND THE TRUSS STARTING AT THE JOINT FARTHEST TO THE LEFT.

CHORDS AND WEBS ARE IDENTIFIED BY END JOINT NUMBERS/LETTERS.

PRODUCT CODE APPROVALS

ICC-ES Reports:

ESR-1311, ESR-1352, ESR1988
ER-3907, ESR-2362, ESR-1397, ESR-3282

Trusses are designed for wind loads in the plane of the truss unless otherwise shown.

Lumber design values are in accordance with ANSI/TP1 1 section 6.3 These truss designs rely on lumber values established by others.

© 2012 MITek® All Rights Reserved

General Safety Notes

Failure to Follow Could Cause Property Damage or Personal Injury

1. Additional stability bracing for truss system, e.g. diagonal or X-bracing, is always required. See BCSI.
2. Truss bracing must be designed by an engineer. For wide truss spacing, individual lateral braces themselves may require bracing, or alternative Tor I bracing should be considered.
3. Never exceed the design loading shown and never stack materials on inadequately braced trusses.
4. Provide copies of this truss design to the building designer, erection supervisor, property owner and all other interested parties.
5. Cut members to bear tightly against each other.
6. Place plates on each face of truss at each joint and embed fully. Knots and wane at joint locations are regulated by ANSI/TP 1.
7. Design assumes trusses will be suitably protected from the environment in accord with ANSI/TP1 1.
8. Unless otherwise noted, moisture content of lumber shall not exceed 19% at time of fabrication.
9. Unless expressly noted, this design is not applicable for use with fire retardant, preservative treated, or green lumber.
10. Camber is a non-structural consideration and is the responsibility of truss fabricator. General practice is to camber for dead load deflection.
11. Plate type, size, orientation and location dimensions indicated are minimum plating requirements.
12. Lumber used shall be of the species and size, and in all respects, equal to or better than that specified.
13. Top chords must be sheathed or purlins provided at spacing indicated on design.
14. Bottom chords require lateral bracing at 10 ft. spacing, or less, if no ceiling is installed, unless otherwise noted.
15. Connections not shown are the responsibility of others.
16. Do not cut or alter truss member or plate without prior approval of an engineer.
17. Install and load vertically unless indicated otherwise.
18. Use of green or treated lumber may pose unacceptable environmental, health or performance risks. Consult with project engineer before use.
19. Review all portions of this design (front, back, words and pictures) before use. Reviewing pictures alone is not sufficient.
20. Design assumes manufacture in accordance with ANSI/TP 1 Quality Criteria.



Reaction Summary of Order



ROOF & FLOOR TRUSSES & BEAMS

1500 S. Road Industrial Park P.O. Box 40408 Fayetteville, N.C. 28309 (910) 864-TRUS
 Primary Office: (919) 816-0105

REQ. QUOTE DATE	/ /	ORDER #	J0320-1190
ORDER DATE	03/13/20	QUOTE #	
DELIVERY DATE	/ /	CUSTOMER ACCT #	0000007060
DATE OF INVOICE	/ /	CUSTOMER PO #	
ORDERED BY	Ben Stout	INVOICE #	
COUNTY	Harnett	TERMS	
SUPERINTENDANT	Ben Stout	SALES REP	Marshall Naylor
JOBSITE PHONE #	(910) 476-4502	SALES AREA	David Landry

Benjamin Stout Real Estate PO Box 53798 Fayetteville, NC 28305 (910) 476-4502	JOB NAME: Lot 39 Blackberry Manor MODEL: Floor DELIVERY INSTRUCTIONS:	LOT # 39 SUBDIV: Blackberry Manor TAG: Appleton / BBH-2034 JOB CATEGORY: Residential - Floor
	Ben Stout Real Estate 39 Kotata Ave Harnett County, NC SPECIAL INSTRUCTIONS: Lot 8 Barrington Place	PLAN SEAL DATE: N/A BY DATE

BUILDING DEPARTMENT for Order	OVERHANG INFO		HEEL HEIGHT 00-06-08	REQ. LAYOUTS	REQ. ENGINEERING	QUOTE / /
	END CUT	RETURN				LAYOUT mn 03/13/20
			GABLE STUDS 16 IN. OC	JOBSITE 1	JOBSITE 1	CUTTING / /

FLOOR TRUSSES LOADING INFORMATION	TCLL-TCDL-BCLL-BCDL	STRESS INCR.	FLOOR TRUSS SPACING: 24.0 IN. O.C. (TYP.)
	40.0,10.0,0.0,5.0	1.00	

FLOOR PROFILE	QTY PLY	DEPTH ID	BASE SPAN	O/A SPAN	END TYPE		INT BEARING		REACTIONS
					LEFT	RIGHT	SIZE	LOCATION	

	1	01-04-00 ET1	11-05-00	11-05-00					Joint 11 49.4 lbs. Joint 12 204.7 lbs. Joint 13 228.4 lbs. Joint 14 179.0 lbs. Joint 15 219.3 lbs.
--	---	--------------	----------	----------	--	--	--	--	-------------------------------------------------------------------------------------------------------------------------------

	1	01-04-00 F1	11-05-00	11-05-00					Joint 7 607.9 lbs. 294.3 lbs. Joint 10 607.9 lbs. 353.4 lbs.
--	---	-------------	----------	----------	--	--	--	--	-----------------------------------------------------------------------------

	4	01-04-00 F2	11-05-00	11-05-00					Joint 1 599.3 lbs. 364.2 lbs. Joint 7 593.0 lbs. 281.8 lbs.
--	---	-------------	----------	----------	--	--	--	--	----------------------------------------------------------------------------

	3	01-04-00 F3	15-01-00	15-01-00					Joint 9 809.6 lbs. 405.7 lbs. Joint 14 809.6 lbs. 405.7 lbs.
--	---	-------------	----------	----------	--	--	--	--	-----------------------------------------------------------------------------

	1	01-04-00 F3A	15-01-00	15-01-00					Joint 10 1171.5 lbs. 767.6 lbs. Joint 17 1903.4 lbs. 1600.7 lbs.
--	---	--------------	----------	----------	--	--	--	--	---------------------------------------------------------------------------------

	2	01-04-00 F4	18-07-00	18-07-00					Joint 10 1002.1 lbs. 512.4 lbs. Joint 16 1002.1 lbs. 515.2 lbs.
--	---	-------------	----------	----------	--	--	--	--	--------------------------------------------------------------------------------

	4	01-04-00 F5	18-07-00	18-07-00					Joint 11 996.3 lbs. 510.2 lbs. Joint 21 988.9 lbs. 499.3 lbs.
--	---	-------------	----------	----------	--	--	--	--	------------------------------------------------------------------------------

	1	01-01-00 FG1	08-05-00	08-05-00					Joint 8 1555.6 lbs. Joint 14 1351.1 lbs.
--	---	--------------	----------	----------	--	--	--	--	---------------------------------------------------

MEMS

QTY	ITEM TYPE	SIZE	LENGTH FT-IN-16	PART NUMBER	NOTES
-----	-----------	------	-----------------	-------------	-------

Construction Summary of Order



ROOF & FLOOR
TRUSSES & BEAMS

1500 Highway 101, Fayetteville, N.C. 28309 P.O. Box 40408
Fayetteville, N.C. 28309 (910) 864-TRUS
Company Office: (919) 816-0105

REQ. QUOTE DATE	/ /	ORDER #	J0320-1190
ORDER DATE	03/13/20	QUOTE #	
DELIVERY DATE	/ /	CUSTOMER ACCT #	0000007060
DATE OF INVOICE	/ /	CUSTOMER PO #	
ORDERED BY	Ben Stout	INVOICE #	
COUNTY	Harnett	TERMS	
SUPERINTENDANT	Ben Stout	SALES REP	Marshall Naylor
JOBSITE PHONE #	(910) 476-4502	SALES AREA	David Landry

Benjamin Stout Real Estate PO Box 53798 Fayetteville, NC 28305 (910) 476-4502	JOB NAME: Lot 39 Blackberry Manor MODEL: Floor TAG: Appleton / BBH-2034 DELIVERY INSTRUCTIONS:	LOT # 39 SUBDIV: Blackberry Manor JOB CATEGORY: Residential - Floor
	Ben Stout Real Estate 39 Kotata Ave Harnett County, NC	SPECIAL INSTRUCTIONS: Lot 8 Barrington Place

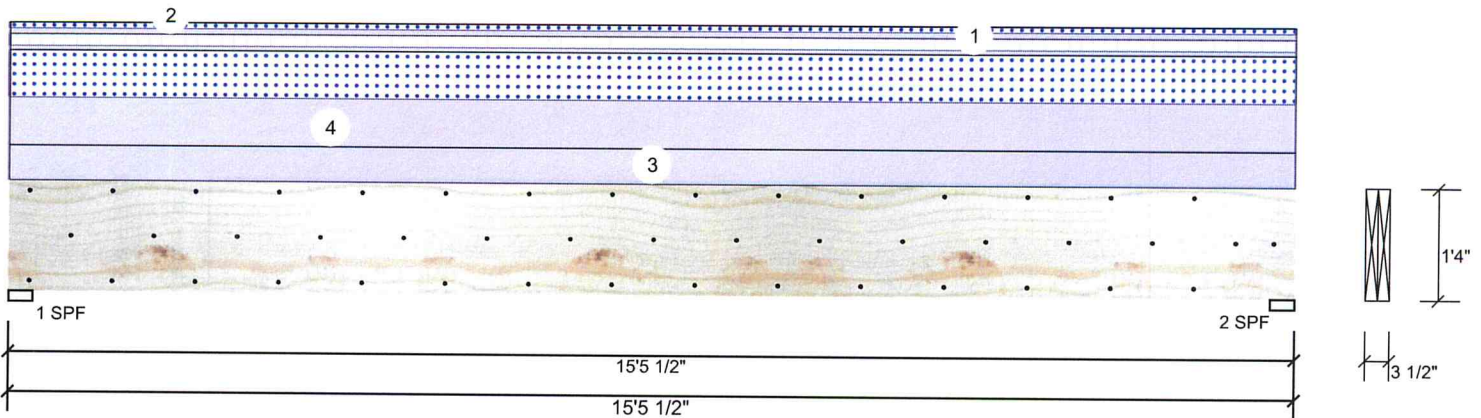
BUILDING DEPARTMENT for Order	OVERHANG INFO		HEEL HEIGHT	00-06-08	REQ. LAYOUTS		REQ. ENGINEERING		QUOTE	/ /	
	END CUT	RETURN							LAYOUT	mn	03/13/20
			GABLE STUDS	16 IN. OC			JOBSITE	1		CUTTING	

ITEMS

QTY	ITEM TYPE	SIZE	LENGTH FT-IN-16	PART NUMBER	NOTES
2	LVL Beams (Sized)	LVL, 1-3/4" x 16" (S)	16-00-00		BM1
3	LVL Beams (Sized)	LVL, 1-3/4" x 18" (S)	22-00-00		GDH
1	Hangers, USP	MSH422			SIMPSON (THA422)

BM1 Kerto-S LVL 1.750" X 16.000" 2-Ply - PASSED

Level: Level


Member Information

Type: Girder
 Plies: 2
 Moisture Condition: Dry
 Deflection LL: 480
 Deflection TL: 360
 Importance: Normal
 Temperature: Temp <= 100°F

Application: Floor
 Design Method: ASD
 Building Code: IBC/IRC 2015
 Load Sharing: No
 Deck: Not Checked

Reactions UNPATTERNED lb (Uplift)

Brg	Live	Dead	Snow	Wind	Const
1	309	2562	1422	0	0
2	309	2562	1422	0	0

Bearings

Bearing	Length	Cap. React	D/L lb	Total	Ld. Case	Ld. Comb.
1 - SPF	3.500"	77%	2562 / 1422	3984	L	D+S
2 - SPF	3.500"	77%	2562 / 1422	3984	L	D+S

Analysis Results

Analysis	Actual	Location	Allowed	Capacity	Comb.	Case
Moment	14537 ft-lb	7'8 3/4"	39750 ft-lb	0.366 (37%)	D+S	L
Unbraced	14537 ft-lb	7'8 3/4"	14550 ft-lb	0.999 (100%)	D+S	L
Shear	3621 lb	1'6 5/8"	13739 lb	0.264 (26%)	D+S	L
LL Defl inch	0.099 (L/1823)	7'8 13/16"	0.376 (L/480)	0.260 (26%)	S	L
TL Defl inch	0.277 (L/651)	7'8 13/16"	0.501 (L/360)	0.550 (55%)	D+S	L

Design Notes

- 1 Fasten all plies using 3 rows of 10d Box nails (.128x3") at 12" o.c. Maximum end distance not to exceed 6".
- 2 Refer to last page of calculations for fasteners required for specified loads.
- 3 Girders are designed to be supported on the bottom edge only.
- 4 Top loads must be supported equally by all plies.
- 5 Top must be laterally braced at a maximum of 8'1 7/8" o.c.
- 6 Lateral slenderness ratio based on single ply width.

ID	Load Type	Location	Trib Width	Side	Dead	Live	Snow	Wind	Const.	Comments
1	Tie-In	0-0-0 to 15-5-8	(Span)2-0-0	Top	15 PSF	40 PSF	0 PSF	0 PSF	0 PSF	Floor Load
2	Tie-In	0-0-0 to 15-5-8	(Span)2-0-0	Top	20 PSF	0 PSF	20 PSF	0 PSF	0 PSF	Roof Load
3	Uniform			Top	120 PLF	0 PLF	0 PLF	0 PLF	0 PLF	Wall
4	Uniform			Far Face	164 PLF	0 PLF	164 PLF	0 PLF	0 PLF	A3, A4
	Self Weight				12 PLF					

Notes

Calculated Structural Designs is responsible only of the structural adequacy of this component based on the design criteria and loadings shown. It is the responsibility of the customer and/or the contractor to ensure the component suitability of the intended application, and to verify the dimensions and loads.

Lumber

1. Dry service conditions, unless noted otherwise
2. LVL not to be treated with fire retardant or corrosive chemicals

Handling & Installation

1. LVL beams must not be cut or drilled
2. Refer to manufacturer's product information regarding installation requirements, multi-ply fastening details, beam strength values, and code approvals
3. Damaged Beams must not be used
4. Design assumes top edge is laterally restrained
5. Provide lateral support at bearing points to avoid lateral displacement and rotation

6. For flat roofs provide proper drainage to prevent ponding

Manufacturer Info

Metsä Wood
 301 Merritt 7 Building, 2nd Floor
 Norwalk, CT 06851
 (800) 622-5850
www.metsawood.com/us
 ICC-ES: ESR-3633

Comtech, Inc.
 1001 S. Reilly Road, Suite #639
 Fayetteville, NC
 USA
 28314
 910-864-TRUS

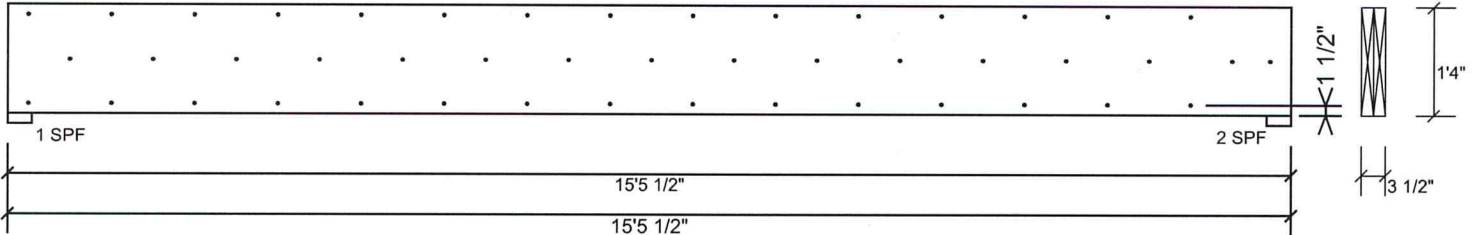


This design is valid until 12/11/2021



BM1 Kerto-S LVL 1.750" X 16.000" 2-Ply - PASSED

Level: Level


Multi-Ply Analysis

Fasten all plies using 3 rows of 10d Box nails (.128x3") at 12" o.c.. Maximum end distance not to exceed 6"

Capacity	66.8 %
Load	164.0 PLF
Yield Limit per Foot	245.6 PLF
Yield Limit per Fastener	81.9 lb.
Yield Mode	IV
Edge Distance	1 1/2"
Min. End Distance	3"
Load Combination	D+S
Duration Factor	1.15

Notes

Calculated Structured Designs is responsible only of the structural adequacy of this component based on the design criteria and loadings shown. It is the responsibility of the customer and/or the contractor to ensure the component suitability of the intended application, and to verify the dimensions and loads.

Lumber

1. Dry service conditions, unless noted otherwise
2. LVL not to be treated with fire retardant or corrosive

chemicals

Handling & Installation

1. LVL beams must not be cut or drilled
2. Refer to manufacturer's product information regarding installation requirements, multi-ply fastening details, beam strength values, and code approvals
3. Damaged Beams must not be used
4. Design assumes top edge is laterally restrained
5. Provide lateral support at bearing points to avoid lateral displacement and rotation

6. For flat roofs provide proper drainage to prevent ponding

Manufacturer Info

Metsä Wood
 301 Merritt 7 Building, 2nd Floor
 Norwalk, CT 06851
 (800) 622-5850
www.metsawood.com/us
 ICC-ES: ESR-3633

Comtech, Inc.
 1001 S. Reilly Road, Suite #639
 Fayetteville, NC
 USA
 28314
 910-864-TRUS

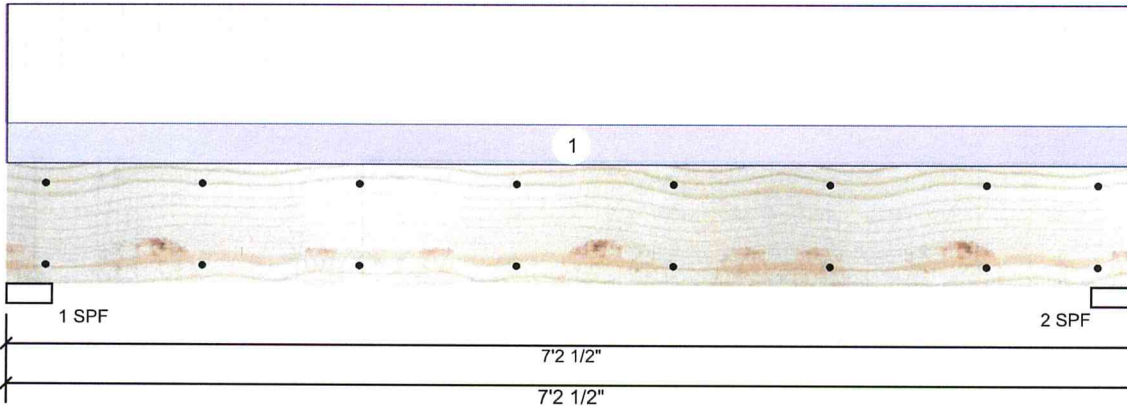


This design is valid until 12/11/2021



BM2 S-P-F #2 2.000" X 10.000" 2-Ply - PASSED

Level: Level



Member Information

Type:	Girder
Plies:	2
Moisture Condition:	Dry
Deflection LL:	480
Deflection TL:	360
Importance:	Normal
Temperature:	Temp <= 100°F

Application:	Floor
Design Method:	ASD
Building Code:	IBC/IRC 2015
Load Sharing:	No
Deck:	Not Checked

Reactions UNPATTERNED lb (Uplift)

Brg	Live	Dead	Snow	Wind	Const
1	1337	447	0	0	0
2	1337	447	0	0	0

Bearings

Bearing	Length	Cap. React D/L lb	Total Ld. Case	Ld. Comb.
1 - SPF	3.500"	40% 447 / 1337	1784 L	D+L
2 - SPF	3.500"	40% 447 / 1337	1784 L	D+L

Analysis Results

Analysis	Actual	Location	Allowed	Capacity	Comb.	Case
Moment	2819 ft-lb	3'7 1/4"	3431 ft-lb	0.822 (82%)	D+L	L
Unbraced	2819 ft-lb	3'7 1/4"	3113 ft-lb	0.906 (91%)	D+L	L
Shear	1289 lb	1'	2498 lb	0.516 (52%)	D+L	L
LL Defl inch	0.063 (L/1295)	3'7 5/16"	0.169 (L/480)	0.370 (37%)	L	L
TL Defl inch	0.083 (L/970)	3'7 5/16"	0.225 (L/360)	0.370 (37%)	D+L	L

Design Notes

- 1 Fasten all plies using 2 rows of 10d Box nails (.128x3") at 12" o.c. Maximum end distance not to exceed 6".
- 2 Refer to last page of calculations for fasteners required for specified loads.
- 3 Girders are designed to be supported on the bottom edge only.
- 4 Top loads must be supported equally by all plies.
- 5 Top braced at bearings.
- 6 Lateral slenderness ratio based on single ply width.

ID	Load Type	Location	Trib Width	Side	Dead 0.9	Live 1	Snow 1.15	Wind 1.6	Const. 1.25	Comments
1	Uniform			Top	124 PLF	371 PLF	0 PLF	0 PLF	0 PLF	F5

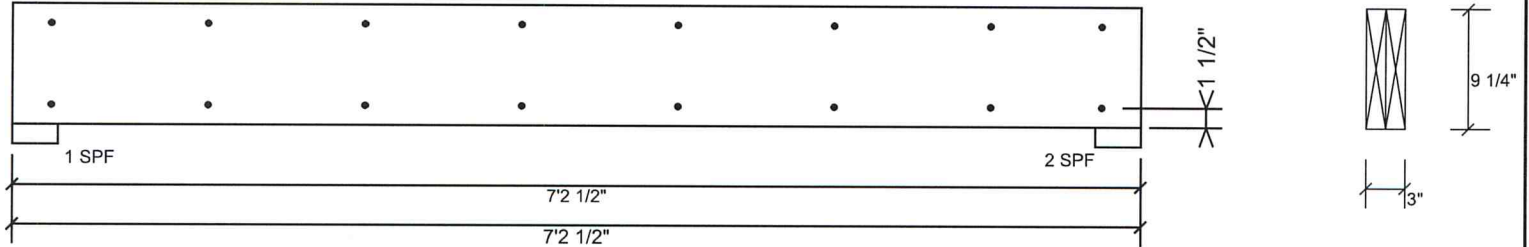
Manufacturer Info	Comtech, Inc. 1001 S. Reilly Road, Suite #639 Fayetteville, NC USA 28314 910-864-TRUS

This design is valid until 12/11/2021



BM2 S-P-F #2 2.000" X 10.000" 2-Ply - PASSED

Level: Level


Multi-Ply Analysis

Fasten all plies using 2 rows of 10d Box nails (.128x3") at 12" o.c.. Maximum end distance not to exceed 6"

Capacity	0.0 %
Load	0.0 PLF
Yield Limit per Foot	157.4 PLF
Yield Limit per Fastener	78.7 lb.
Yield Mode	IV
Edge Distance	1 1/2"
Min. End Distance	3"
Load Combination	
Duration Factor	1.00

Manufacturer Info

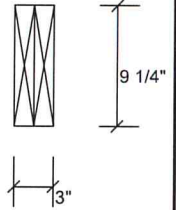
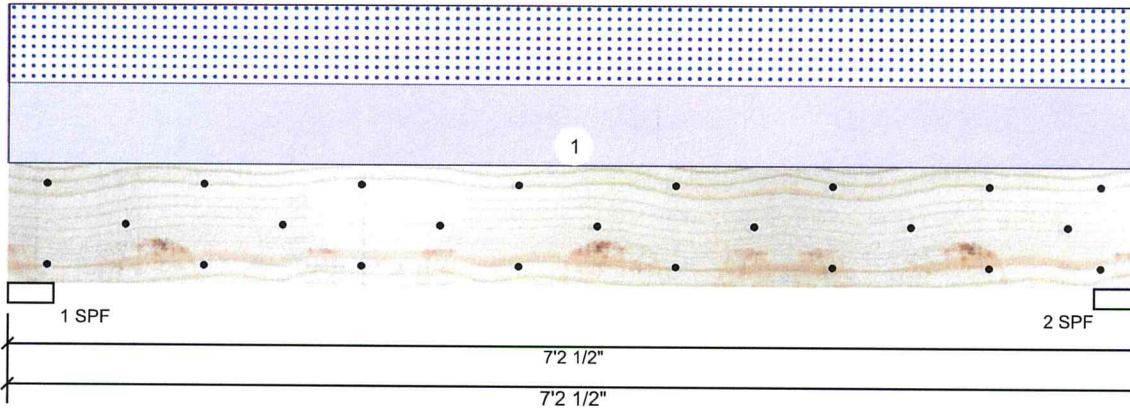
 Comtech, Inc.
 1001 S. Reilly Road, Suite #639
 Fayetteville, NC
 USA
 28314
 910-864-TRUS


This design is valid until 12/11/2021



BM3 S-P-F #2 2.000" X 10.000" 2-Ply - PASSED

Level: Level



Member Information

Type: Girder
 Plies: 2
 Moisture Condition: Dry
 Deflection LL: 480
 Deflection TL: 360
 Importance: Normal
 Temperature: Temp <= 100°F

Application: Floor
 Design Method: ASD
 Building Code: IBC/IRC 2015
 Load Sharing: No
 Deck: Not Checked

Reactions UNPATTERNED lb (Uplift)

Brg	Live	Dead	Snow	Wind	Const
1	0	667	667	0	0
2	0	667	667	0	0

Bearings

Bearing	Length	Cap. React	D/L lb	Total	Ld. Case	Ld. Comb.
1 - SPF	3.500"	30%	667 / 667	1334	L	D+S
2 - SPF	3.500"	30%	667 / 667	1334	L	D+S

Analysis Results

Analysis	Actual	Location	Allowed	Capacity	Comb.	Case
Moment	2107 ft-lb	3'7 1/4"	3946 ft-lb	0.534 (53%)	D+S	L
Unbraced	2107 ft-lb	3'7 1/4"	3446 ft-lb	0.611 (61%)	D+S	L
Shear	1249 lb	1'	2872 lb	0.435 (43%)	D+S	L
LL Defl inch	0.031 (L/2597)	3'7 5/16"	0.169 (L/480)	0.180 (18%)	S	L
TL Defl inch	0.062 (L/1298)	3'7 5/16"	0.225 (L/360)	0.280 (28%)	D+S	L

Design Notes

- 1 Fasten all plies using 3 rows of 10d Box nails (.128x3") at 12" o.c. Maximum end distance not to exceed 6".
- 2 Refer to last page of calculations for fasteners required for specified loads.
- 3 Girders are designed to be supported on the bottom edge only.
- 4 Top braced at bearings.
- 5 Lateral slenderness ratio based on single ply width.

ID	Load Type	Location	Trib Width	Side	Dead 0.9	Live 1	Snow 1.15	Wind 1.6	Const. 1.25	Comments
1	Uniform			Near Face	185 PLF	0 PLF	185 PLF	0 PLF	0 PLF	B3 - B6

Manufacturer Info

Comtech, Inc.
 1001 S. Reilly Road, Suite #639
 Fayetteville, NC
 USA
 28314
 910-864-TRUS

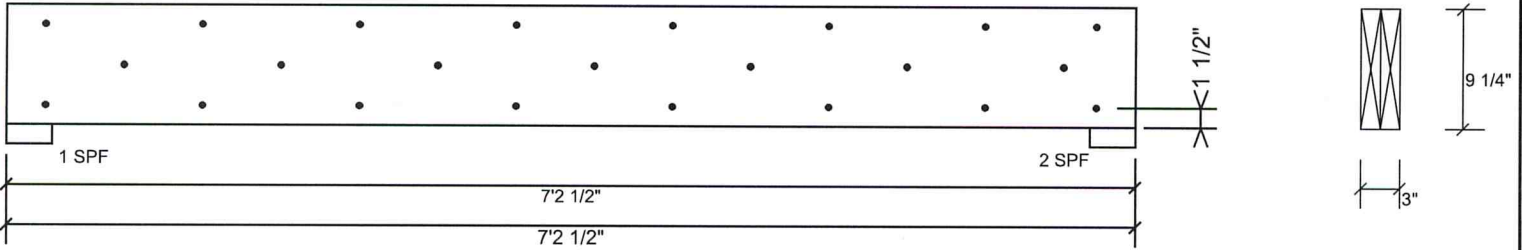


This design is valid until 12/11/2021



BM3 S-P-F #2 2.000" X 10.000" 2-Ply - PASSED

Level: Level


Multi-Ply Analysis

Fasten all plies using 3 rows of 10d Box nails (.128x3") at 12" o.c.. Maximum end distance not to exceed 6"

Capacity	78.4 %
Load	185.0 PLF
Yield Limit per Foot	236.1 PLF
Yield Limit per Fastener	78.7 lb.
Yield Mode	IV
Edge Distance	1 1/2"
Min. End Distance	3"
Load Combination	D+S
Duration Factor	1.15

Manufacturer Info

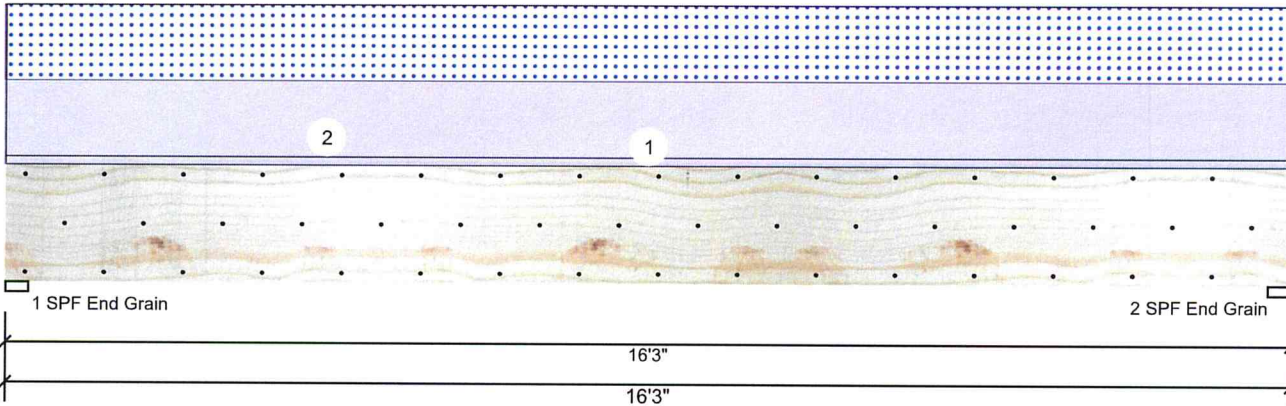
 Comtech, Inc.
 1001 S. Reilly Road, Suite #639
 Fayetteville, NC
 USA
 28314
 910-864-TRUS


This design is valid until 12/11/2021



GDH Kerto-S LVL 1.750" X 18.000" 3-Ply - PASSED

Level: Level



Member Information

Type: Girder
 Plies: 3
 Moisture Condition: Dry
 Deflection LL: 480
 Deflection TL: 360
 Importance: Normal
 Temperature: Temp <= 100°F

Application: Floor
 Design Method: ASD
 Building Code: IBC/IRC 2015
 Load Sharing: Yes
 Deck: Not Checked

Reactions UNPATTERNED lb (Uplift)

Brg	Live	Dead	Snow	Wind	Const
1	0	5192	4534	0	0
2	0	5192	4534	0	0

Bearings

Bearing	Length	Cap.	React D/L lb	Total	Ld. Case	Ld. Comb.
1 - SPF End Grain	3.500"	61%	5192 / 4534	9726	L	D+S
2 - SPF End Grain	3.500"	61%	5192 / 4534	9726	L	D+S

Analysis Results

Analysis	Actual	Location	Allowed	Capacity	Comb.	Case
Moment Unbraced	37412 ft-lb	8'1 1/2"	77108 ft-lb	0.485 (49%)	D+S	L
Shear	7668 lb	1'8 5/8"	23184 lb	0.331 (33%)	D+S	L
LL Defl inch	0.175 (L/1084)	8'1 9/16"	0.395 (L/480)	0.440 (44%)	S	L
TL Defl inch	0.376 (L/505)	8'1 9/16"	0.527 (L/360)	0.710 (71%)	D+S	L

Design Notes

- 1 Fasten all plies using 3 rows of 10d Box nails (.128x3") at 12" o.c. Maximum end distance not to exceed 6".
- 2 Refer to last page of calculations for fasteners required for specified loads.
- 3 Girders are designed to be supported on the bottom edge only.
- 4 Top loads must be supported equally by all plies.
- 5 Top must be laterally braced at a maximum of 5'3" o.c.
- 6 Lateral slenderness ratio based on single ply width.

ID	Load Type	Location	Trib Width	Side	Dead 0.9	Live 1	Snow 1.15	Wind 1.6	Const. 1.25	Comments
1	Uniform			Top	60 PLF	0 PLF	0 PLF	0 PLF	0 PLF	Wall
2	Uniform			Top	558 PLF	0 PLF	558 PLF	0 PLF	0 PLF	A1
	Self Weight				21 PLF					

Notes

Calculated Structural Designs is responsible only of the structural adequacy of this component based on the design criteria and loadings shown. It is the responsibility of the customer and/or the contractor to ensure the component suitability of the intended application, and to verify the dimensions and loads.

Lumber

1. Dry service conditions, unless noted otherwise
2. LVL not to be treated with fire retardant or corrosive

chemicals

Handling & Installation

1. LVL beams must not be cut or drilled
2. Refer to manufacturer's product information regarding installation requirements, multi-ply fastening details, beam strength values, and code approvals
3. Damaged Beams must not be used
4. Design assumes top edge is laterally restrained
5. Provide lateral support at bearing points to avoid lateral displacement and rotation

6. For flat roofs provide proper drainage to prevent ponding

Manufacturer Info

Metsä Wood
 301 Merritt 7 Building, 2nd Floor
 Norwalk, CT 06851
 (800) 622-5850
 www.metsawood.com/us
 ICC-ES: ESR-3633

Comtech, Inc.
 1001 S. Reilly Road, Suite #639
 Fayetteville, NC
 USA
 28314
 910-864-TRUS



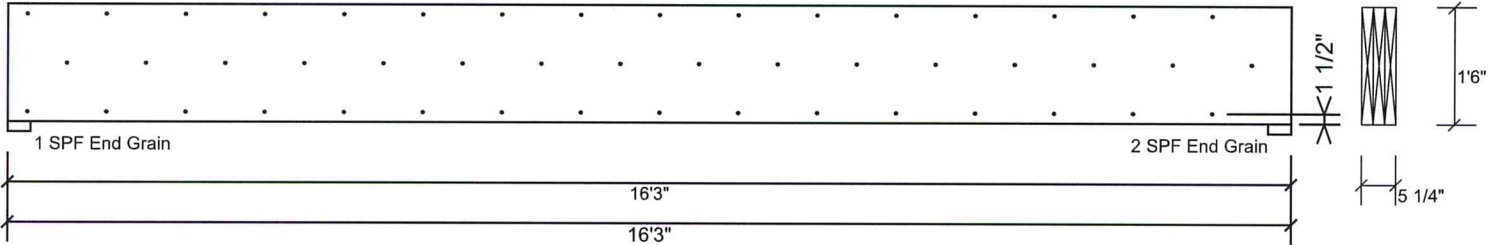
This design is valid until 12/11/2021





GDH Kerto-S LVL 1.750" X 18.000" 3-Ply - PASSED

Level: Level



Multi-Ply Analysis

Fasten all plies using 3 rows of 10d Box nails (.128x3") at 12" o.c.. Nail from both sides. Maximum end distance not to exceed 6"

Capacity	0.0 %
Load	0.0 PLF
Yield Limit per Foot	245.6 PLF
Yield Limit per Fastener	81.9 lb.
Yield Mode	IV
Edge Distance	1 1/2"
Min. End Distance	3"
Load Combination	
Duration Factor	1.00

Notes

Calculated Structured Designs is responsible only of the structural adequacy of this component based on the design criteria and loadings shown. It is the responsibility of the customer and/or the contractor to ensure the component suitability of the intended application, and to verify the dimensions and loads.

Lumber

1. Dry service conditions, unless noted otherwise
2. LVL not to be treated with fire retardant or corrosive

chemicals

Handling & Installation

1. LVL beams must not be cut or drilled
2. Refer to manufacturer's product information regarding installation requirements, multi-ply fastening details, beam strength values, and code approvals
3. Damaged Beams must not be used
4. Design assumes top edge is laterally restrained
5. Provide lateral support at bearing points to avoid lateral displacement and rotation

6. For flat roofs provide proper drainage to prevent ponding

Manufacturer Info

Metsä Wood
 301 Merritt 7 Building, 2nd Floor
 Norwalk, CT 06851
 (800) 622-5850
 www.metsawood.com/us
 ICC-ES: ESR-3633

Comtech, Inc.
 1001 S. Reilly Road, Suite #639
 Fayetteville, NC
 USA
 28314
 910-864-TRUS



This design is valid until 12/11/2021



RE: J0320-1190
Lot 39 Blackberry Manor

Trenco
818 Soundside Rd
Edenton, NC 27932

Site Information:

Customer: Project Name: J0320-1190
Lot/Block: Model:
Address: Subdivision:
City: State:

General Truss Engineering Criteria & Design Loads (Individual Truss Design Drawings Show Special Loading Conditions):

Design Code: IRC2015/TPI2014 Design Program: MiTek 20/20 8.1
Wind Code: N/A Wind Speed: N/A mph
Roof Load: N/A psf Floor Load: 55.0 psf

This package includes 8 individual, dated Truss Design Drawings and 0 Additional Drawings.

No.	Seal#	Truss Name	Date
1	E13772240	et1	11/18/2019
2	E13772241	f1	11/18/2019
3	E13772242	f2	11/18/2019
4	E13772243	f3	11/18/2019
5	E13772244	f3a	11/18/2019
6	E13772245	f4	11/18/2019
7	E13772246	f5	11/18/2019
8	E13772247	fg1	11/18/2019

The truss drawing(s) referenced above have been prepared by Truss Engineering Co. under my direct supervision based on the parameters provided by Comtech, Inc - Fayetteville. Truss Design Engineer's Name: Gilbert, Eric
My license renewal date for the state of North Carolina is December 31, 2020.
North Carolina COA: C-0844

IMPORTANT NOTE: The seal on these truss component designs is a certification that the engineer named is licensed in the jurisdiction(s) identified and that the designs comply with ANSI/TPI 1. These designs are based upon parameters shown (e.g., loads, supports, dimensions, shapes and design codes), which were given to TRENCO. Any project specific information included is for TRENCO customers file reference purpose only, and was not taken into account in the preparation of these designs. TRENCO has not independently verified the applicability of the design parameters or the designs for any particular building. Before use, the building designer should verify applicability of design parameters and properly incorporate these designs into the overall building design per ANSI/TPI 1, Chapter 2.



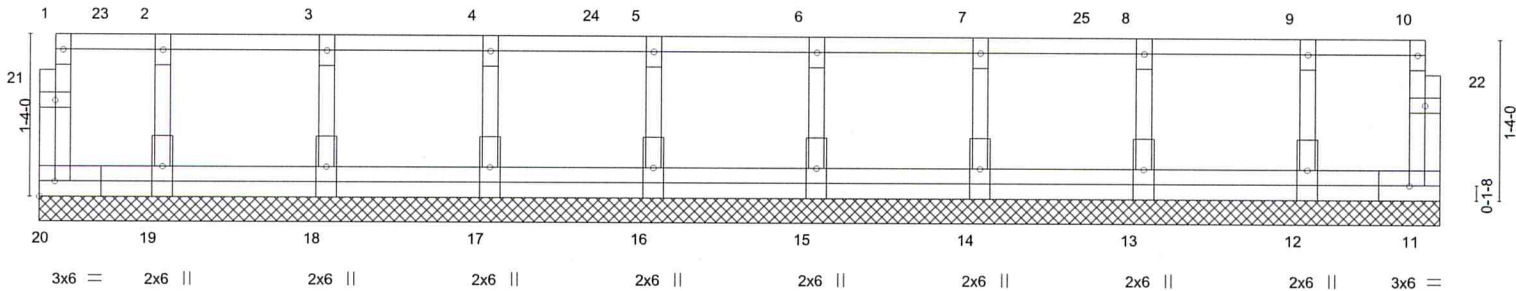
Job	Truss	Truss Type	Qty	Ply	Lot 39 Blackberry Manor	E13772240
J0320-1190	ET1	Floor Supported Gable	1	1		
Comtech, Inc., Fayetteville, NC 28309						Job Reference (optional)

8.130 s Mar 11 2018 MiTek Industries, Inc. Mon Nov 18 08:20:29 2019 Page 1
 ID:KHiM10Q_9dy0362zxkFfqAyJzV8-nTKELBfjdv6Nvqk5?LVPVbuE_ILpGnv9JGMtlyl?G

0-1-β

0-1-β

Scale = 1:18.9



11-5-0
11-5-0

LOADING (psf)	SPACING-	2-0-0	CSI.	DEFL.	in (loc)	l/defl	L/d	PLATES	GRIP	
TCLL 40.0	Plate Grip DOL	1.00	TC 0.09	Vert(LL)	n/a	-	n/a	999	MT20	244/190
TCDL 10.0	Lumber DOL	1.00	BC 0.01	Vert(CT)	n/a	-	n/a	999		
BCLL 0.0	Rep Stress Incr	YES	WB 0.05	Horz(CT)	0.00	11	n/a	n/a		
BCDL 5.0	Code IRC2015/TPI2014		Matrix-R							
									Weight: 67 lb	FT = 20%F, 11%E

LUMBER-

TOP CHORD 2x4 SP No.1 (flat)
 BOT CHORD 2x4 SP No.1 (flat)
 WEBS 2x4 SP No.3 (flat)
 OTHERS 2x4 SP No.3 (flat)

BRACING-

TOP CHORD Structural wood sheathing directly applied or 6-0-0 oc purlins, except end verticals.
 BOT CHORD Rigid ceiling directly applied or 10-0-0 oc bracing.

REACTIONS.

All bearings 11-5-0.
 (lb) - Max Grav All reactions 250 lb or less at joint(s) 20, 11, 19, 18, 17, 16, 15, 14, 13, 12

FORCES.

(lb) - Max. Comp./Max. Ten. - All forces 250 (lb) or less except when shown.

NOTES-

- All plates are 1.5x3 MT20 unless otherwise indicated.
- Plates checked for a plus or minus 1 degree rotation about its center.
- Gable requires continuous bottom chord bearing.
- Truss to be fully sheathed from one face or securely braced against lateral movement (i.e. diagonal web).
- Gable studs spaced at 1-4-0 oc.
- Recommend 2x6 strongbacks, on edge, spaced at 10-0-0 oc and fastened to each truss with 3-10d (0.131" X 3") nails. Strongbacks to be attached to walls at their outer ends or restrained by other means.

LOAD CASE(S) Standard

- Dead + Floor Live (balanced): Lumber Increase=1.00, Plate Increase=1.00
 Uniform Loads (plf)
 Vert: 11-20=-10, 1-10=-100
 Concentrated Loads (lb)
 Vert: 3=-92 6=-92 9=-96 23=-98 24=-92 25=-92



November 18, 2019

WARNING - Verify design parameters and READ NOTES ON THIS AND INCLUDED MITEK REFERENCE PAGE MII-7473 rev. 10/03/2015 BEFORE USE.

Design valid for use only with MiTek® connectors. This design is based only upon parameters shown, and is for an individual building component, not a truss system. Before use, the building designer must verify the applicability of design parameters and properly incorporate this design into the overall building design. Bracing indicated is to prevent buckling of individual truss web and/or chord members only. Additional temporary and permanent bracing is always required for stability and to prevent collapse with possible personal injury and property damage. For general guidance regarding the fabrication, storage, delivery, erection and bracing of trusses and truss systems, see **ANSI/TPI1 Quality Criteria, DSB-89 and BCSI Building Component Safety Information** available from Truss Plate Institute, 218 N. Lee Street, Suite 312, Alexandria, VA 22314.

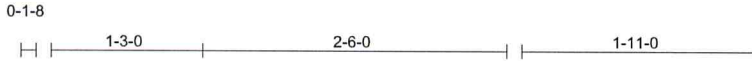
ENGINEERING BY
TRENCO
 A MiTek Affiliate

818 Soundside Road
 Edenton, NC 27932

Job J0320-1190	Truss F1	Truss Type Floor	Qty 1	Ply 1	Lot 39 Blackberry Manor Job Reference (optional)	E13772241
-------------------	-------------	---------------------	----------	----------	-----------------------------------------------------	-----------

Comtech, Inc., Fayetteville, NC 28309

8.130 s Mar 11 2018 MiTek Industries, Inc. Mon Nov 18 08:20:31 2019 Page 1
ID:KHiM10Q_9dy0362zxxFfqAyJzV8-jsS_lthzFE9pcD_7DQNzUwg6toK?H4mCcdISxAyl?jE



0-1-8
Scale = 1:19.1

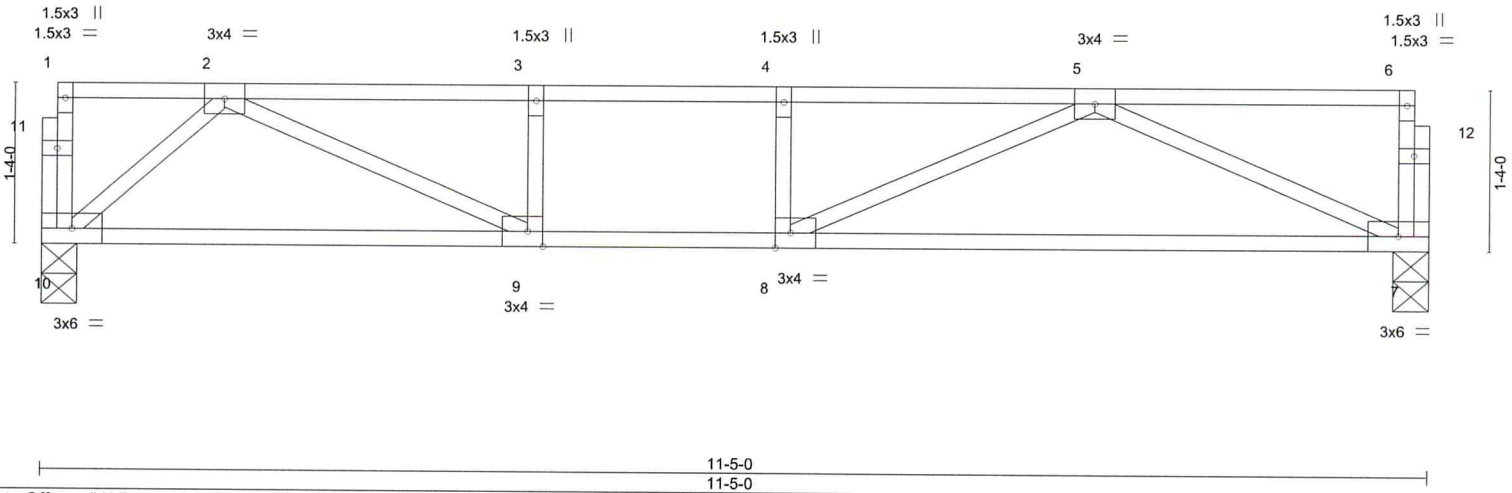


Plate Offsets (X,Y)-- [8:0-1-8,Edge], [9:0-1-8,Edge]

LOADING (psf)	SPACING-	2-0-0	CSI.	DEFL.	in (loc)	l/defl	L/d	PLATES	GRIP
TCLL 40.0	Plate Grip DOL	1.00	TC 0.53	Vert(LL)	-0.16	7-8	>833	MT20	244/190
TCDL 10.0	Lumber DOL	1.00	BC 0.51	Vert(CT)	-0.25	7-8	>540		
BCLL 0.0	Rep Stress Incr	YES	WB 0.40	Horz(CT)	0.02	7	n/a		
BCDL 5.0	Code	IRC2015/TPI2014	Matrix-S						
								Weight: 57 lb	FT = 20%F, 11%E

LUMBER-
TOP CHORD 2x4 SP No.1(flat)
BOT CHORD 2x4 SP No.1(flat)
WEBS 2x4 SP No.3(flat)

BRACING-
TOP CHORD Structural wood sheathing directly applied or 6-0-0 oc purlins, except end verticals.
BOT CHORD Rigid ceiling directly applied or 10-0-0 oc bracing.

REACTIONS. (lb/size) 10=608/0-3-8, 7=608/0-3-8

FORCES. (lb) - Max. Comp./Max. Ten. - All forces 250 (lb) or less except when shown.
TOP CHORD 2-3=-1398/0, 3-4=-1398/0, 4-5=-1398/0
BOT CHORD 9-10=0/634, 8-9=0/1398, 7-8=0/1056
WEBS 2-10=-841/0, 2-9=0/844, 3-9=-301/0, 5-7=-1157/0, 5-8=0/495

NOTES-
1) Unbalanced floor live loads have been considered for this design.
2) Plates checked for a plus or minus 1 degree rotation about its center.
3) Recommend 2x6 strongbacks, on edge, spaced at 10-0-0 oc and fastened to each truss with 3-10d (0.131" X 3") nails. Strongbacks to be attached to walls at their outer ends or restrained by other means.



November 18, 2019

WARNING - Verify design parameters and READ NOTES ON THIS AND INCLUDED MITEK REFERENCE PAGE MII-7473 rev. 10/03/2015 BEFORE USE.

Design valid for use only with MiTek® connectors. This design is based only upon parameters shown, and is for an individual building component, not a truss system. Before use, the building designer must verify the applicability of design parameters and properly incorporate this design into the overall building design. Bracing indicated is to prevent buckling of individual truss web and/or chord members only. Additional temporary and permanent bracing is always required for stability and to prevent collapse with possible personal injury and property damage. For general guidance regarding the fabrication, storage, delivery, erection and bracing of trusses and truss systems, see **ANSI/TPI1 Quality Criteria, DSB-89 and BCSI Building Component Safety Information** available from Truss Plate Institute, 218 N. Lee Street, Suite 312, Alexandria, VA 22314.



818 Soundside Road
Edenton, NC 27932

Job J0320-1190	Truss F2	Truss Type Floor	Qty 4	Ply 1	Lot 39 Blackberry Manor	E13772242
-------------------	-------------	---------------------	----------	----------	-------------------------	-----------

Comtech, Inc., Fayetteville, NC 28309

8.130 s Mar 11 2018 MiTek Industries, Inc. Mon Nov 18 08:20:31 2019 Page 1
ID:KHiM10Q_9dy0362zxkFfqAyJzV8-jsS_lthzFE9pcD_7DQnzUwg5toLJH5MCcdlSxAyI?jE

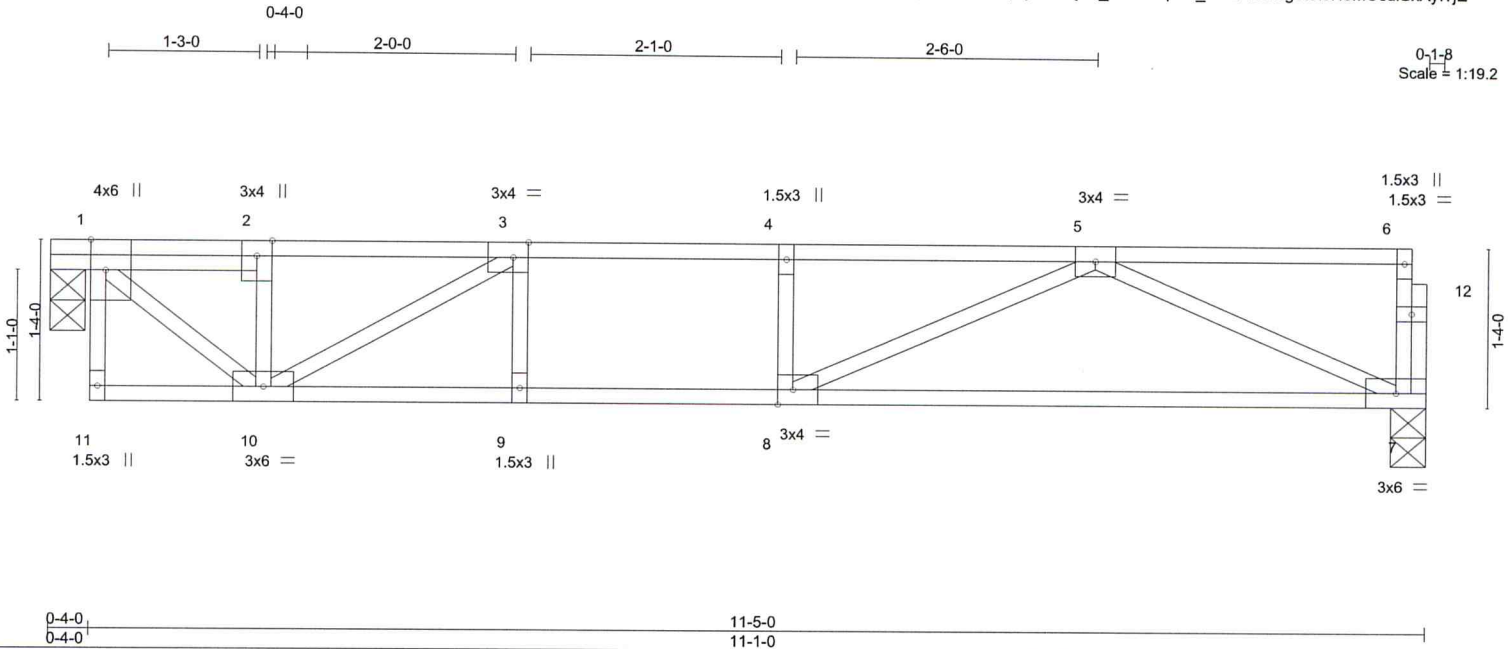


Plate Offsets (X,Y)-- [1:0-3-0,Edge], [3:0-1-8,Edge], [8:0-1-8,Edge]

LOADING (psf)	SPACING- 2-0-0	CSI.	DEFL. in (loc) l/defl L/d	PLATES	GRIP
TCLL 40.0	Plate Grip DOL 1.00	TC 0.60	Vert(LL) -0.17 7-8 >777 480	MT20	244/190
TCDL 10.0	Lumber DOL 1.00	BC 0.61	Vert(CT) -0.27 7-8 >489 360		
BCLL 0.0	Rep Stress Incr YES	WB 0.36	Horz(CT) 0.03 7 n/a n/a		
BCDL 5.0	Code IRC2015/TPI2014	Matrix-S		Weight: 59 lb	FT = 20%F, 11%E

LUMBER-	BRACING-
TOP CHORD 2x4 SP No.1(flat)	TOP CHORD Structural wood sheathing directly applied or 6-0-0 oc purlins, except end verticals.
BOT CHORD 2x4 SP No.1(flat)	BOT CHORD Rigid ceiling directly applied or 10-0-0 oc bracing.
WEBS 2x4 SP No.3(flat)	

REACTIONS. (lb/size) 7=593/0-3-8, 1=599/0-3-8

FORCES. (lb) - Max. Comp./Max. Ten. - All forces 250 (lb) or less except when shown.
 TOP CHORD 1-2=-591/0, 2-3=-588/0, 3-4=-1313/0, 4-5=-1313/0
 BOT CHORD 9-10=0/1313, 8-9=0/1313, 7-8=0/1022
 WEBS 1-10=0/765, 3-10=-858/0, 5-7=-1119/0, 5-8=0/443

- NOTES-**
- 1) Unbalanced floor live loads have been considered for this design.
 - 2) Plates checked for a plus or minus 1 degree rotation about its center.
 - 3) Recommend 2x6 strongbacks, on edge, spaced at 10-0-0 oc and fastened to each truss with 3-10d (0.131" X 3") nails. Strongbacks to be attached to walls at their outer ends or restrained by other means.
 - 4) Gap between inside of top chord bearing and first diagonal or vertical web shall not exceed 0.500in.
 - 5) CAUTION, Do not erect truss backwards.



November 18, 2019

Job	Truss	Truss Type	Qty	Ply	Lot 39 Blackberry Manor	E13772244
J0320-1190	F3A	Floor	1	1		

Comtech, Inc., Fayetteville, NC 28309

8.130 s Mar 11 2018 MiTek Industries, Inc. Mon Nov 18 08:20:33 2019 Page 1
ID:KHiM10Q_9dy0362zxkFfqAyJzV8-fEZIAZIDnsPxSv8V8KQRaLmNAbvjsQU3xEZ03yl?jC

0-1-8

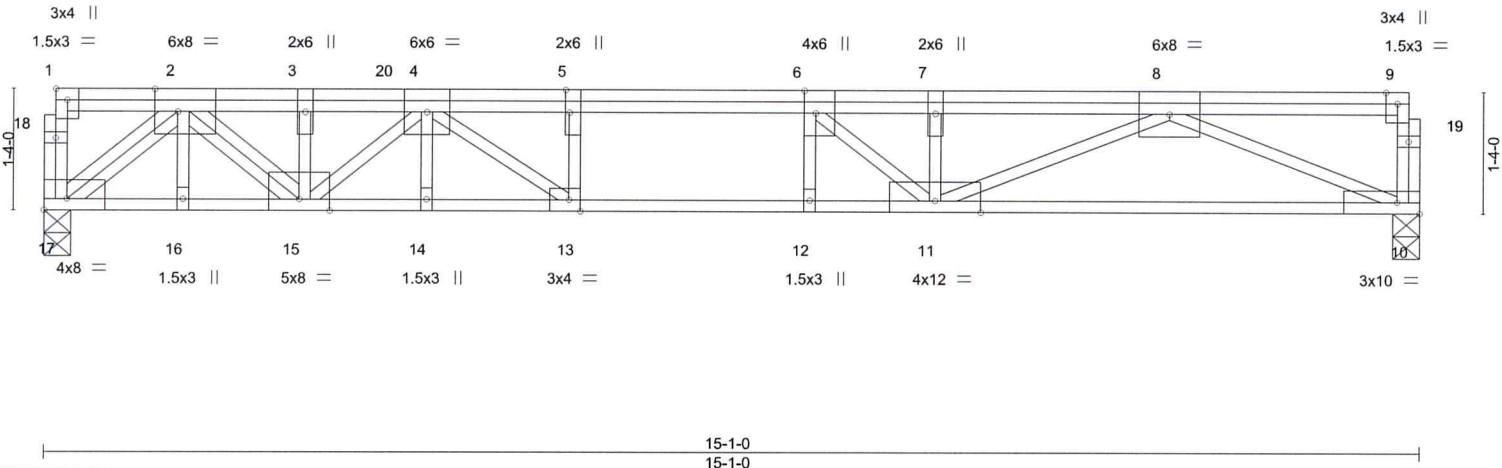


Plate Offsets (X,Y)-- [1:Edge,0-1-8], [2:0-3-0,Edge], [5:0-3-0,Edge], [6:0-3-0,Edge], [13:0-1-8,Edge], [17:Edge,0-1-8]

LOADING (psf)	SPACING-	2-0-0	CSI.	DEFL.	in (loc)	l/defl	L/d	PLATES	GRIP
TCLL 40.0	Plate Grip DOL	1.00	TC 0.87	Vert(LL)	-0.21	13	>844	MT20	244/190
TCDL 10.0	Lumber DOL	1.00	BC 0.87	Vert(CT)	-0.29	13-14	>605		
BCLL 0.0	Rep Stress Incr	NO	WB 0.84	Horz(CT)	0.06	10	n/a		
BCDL 5.0	Code IRC2015/TPI2014		Matrix-S						
								Weight: 105 lb	FT = 20%F, 11%E

LUMBER-
 TOP CHORD 2x4 SP No.1(flat)
 BOT CHORD 2x4 SP 2400F 2.0E(flat)
 WEBS 2x4 SP No.3(flat)

BRACING-
 TOP CHORD Structural wood sheathing directly applied or 6-0-0 oc purlins, except end verticals.
 BOT CHORD Rigid ceiling directly applied or 10-0-0 oc bracing.

REACTIONS. (lb/size) 17=1903/0-3-8, 10=1171/0-3-8

FORCES. (lb) - Max. Comp./Max. Ten. - All forces 250 (lb) or less except when shown.
 TOP CHORD 2-3=-4189/0, 3-4=-4216/0, 4-5=-5032/0, 5-6=-5032/0, 6-7=-3997/0, 7-8=-3997/0
 BOT CHORD 16-17=0/2203, 15-16=0/2203, 14-15=0/5615, 13-14=0/5615, 12-13=0/5032, 11-12=0/5032, 10-11=0/2388
 WEBS 8-10=-2599/0, 8-11=0/1763, 7-11=0/410, 6-11=-1669/0, 2-17=-2844/0, 2-15=0/2663, 3-15=-598/0, 4-15=-1817/0, 4-13=-1109/0, 5-13=0/504

- NOTES-**
- Unbalanced floor live loads have been considered for this design.
 - Plates checked for a plus or minus 1 degree rotation about its center.
 - Recommend 2x6 strongbacks, on edge, spaced at 10-0-0 oc and fastened to each truss with 3-10d (0.131" X 3") nails. Strongbacks to be attached to walls at their outer ends or restrained by other means.
 - Hanger(s) or other connection device(s) shall be provided sufficient to support concentrated load(s) 1536 lb down at 3-9-12 on top chord. The design/selection of such connection device(s) is the responsibility of others.
 - In the LOAD CASE(S) section, loads applied to the face of the truss are noted as front (F) or back (B).

LOAD CASE(S) Standard
 1) Dead + Floor Live (balanced): Lumber Increase=1.00, Plate Increase=1.00
 Uniform Loads (plf)
 Vert: 10-17=-10, 1-9=-100
 Concentrated Loads (lb)
 Vert: 20=-1456(F)



November 18, 2019

WARNING - Verify design parameters and READ NOTES ON THIS AND INCLUDED MITEK REFERENCE PAGE MII-7473 rev. 10/03/2015 BEFORE USE.

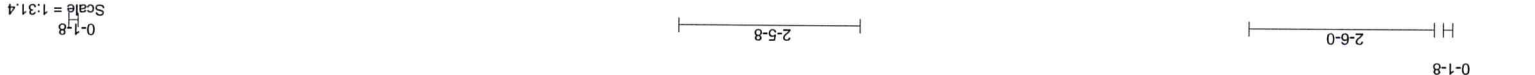
Design valid for use only with MiTek® connectors. This design is based only upon parameters shown, and is for an individual building component, not a truss system. Before use, the building designer must verify the applicability of design parameters and properly incorporate this design into the overall building design. Bracing indicated is to prevent buckling of individual truss web and/or chord members only. Additional temporary and permanent bracing is always required for stability and to prevent collapse with possible personal injury and property damage. For general guidance regarding the fabrication, storage, delivery, erection and bracing of trusses and truss systems, see **ANSI/TPI1 Quality Criteria, DSB-89 and BCSI Building Component Safety Information** available from Truss Plate Institute, 218 N. Lee Street, Suite 312, Alexandria, VA 22314.



818 Soundside Road
 Edenton, NC 27932

Job	J0320-1190	Comtech, Inc., Fayetteville, NC 28309
Truss	F4	
Truss Type	Floor	
Qty	2	
Ply		
Lot	39 Blackberry Manor	
Job Reference (optional)	1	

8:130 s Mar 11 2018 MITTEK Industries, Inc. Mon Nov 18 08:20:34 2019 Page 1
 ID:KHM10Q_9dy0362zkkFqAyJzV8-7R77OvjY9XOTgtllUyXg6Yf1r1KUMWwlbz7VYj7B



LOADING (psf)	SPACING-	CSI.	DEFL.	in (loc)	l/defl	L/D
TCLL 40.0	Plate Grip DOL	TC 0.41	Vert(LL)	-0.28	11-12	>788
TCPL 10.0	Lumber DOL	BC 0.57	Vert(CT)	-0.36	11-12	>614
BCLL 0.0	Rep Stress Incr	WB 0.66	Horz(CT)	0.06	10	n/a
BCDL 5.0	Code IRC2015/TP12014	Matrix-S				n/a

LUMBER-	BRACING-
TOP CHORD 2x4 SP 2400F 2.0E(ftat)	TOP CHORD Structural wood sheathing directly applied or 6-0-0 oc purlins.
BOT CHORD 2x4 SP 2400F 2.0E(ftat)	BOT CHORD except end verticals.
WEBS 2x4 SP No.3(ftat)	Rigid ceiling directly applied or 10-0-0 oc bracing.

REACTIONS. (lb/size) 16=1002/0-3-8, 10=1002/0-3-8

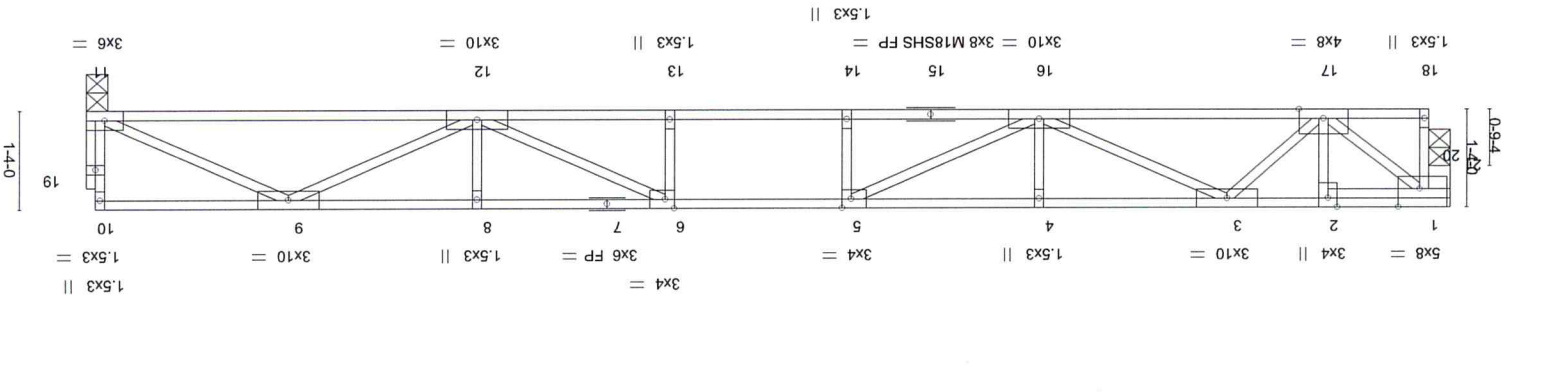
FORCES. (lb) - Max. Comp/Max. Ten. - All forces 250 (lb) or less except when shown.
 TOP CHORD 2-3=-3152/0, 3-4=-3152/0, 4-5=-3780/0, 5-7=-3155/0, 7-8=-3155/0
 BOT CHORD 15-16=0/1907, 13-15=0/3780, 12-13=0/3780, 11-12=0/3780, 10-11=0/1907
 WEBS 2-16=-2094/0, 2-15=0/1376, 3-15=-304/24, 8-10=-2093/0, 8-11=0/1380, 7-11=-309/20, 5-11=-984/0, 4-15=-989/0

NOTES-
 1) Unbalanced floor live loads have been considered for this design.
 2) All plates are MT20 plates unless otherwise indicated.
 3) Plates checked for a plus or minus 1 degree rotation about its center.
 4) Recommend 2x6 strongbacks, on edge, spaced at 10-0-0 oc and fastened to each truss with 3-10d (0.131" X 3") nails.
 Strongbacks to be attached to walls at their outer ends or restrained by other means.



Job	Truss	Truss Type	Qty	Ply	Lot 39 Blackberry Manor
0320-1190	F5	Floor	4	1	Job Reference (optional)
E13772246					

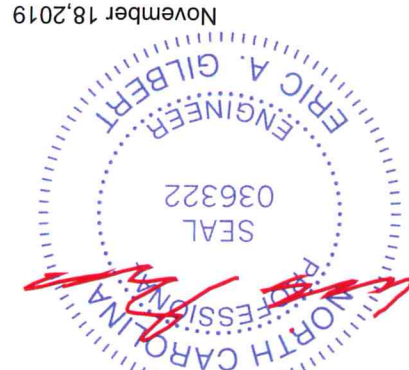
Comtech, Inc., Fayetteville, NC 28309
 ID:Kh1M100_9dy0362zkkf9AyJzV8-bdhvBFKLUJTF5qHusGsvImrqpFgHDPsNxkFg4y17A
 8,130 s Mar 11 2018 MITTEK Industries, Inc. Mon Nov 18 08:20:35 2019 Page 1
 Scale = 1:31.6



LOADING (psf)	SPACING-	CSL	DEFL.	in (loc)	l/defl	L/D	PLATES	GRIP	MT20	M18SHS	Weight: 96 lb	FT = 20%F, 11%E
40.0	2-0-0	0.41	Vert(LL)	-0.25	14-16	>874	480	244/190	244/190	360		
10.0	Plate Grip DOL	1.00	Vert(CT)	-0.33	14-16	>662	480	244/190	244/190	360		
1.00	Lumber DOL	1.00	Horz(CT)	0.03	11	n/a	480	244/190	244/190	360		
4.00	Rep Stress Incr	YES					480	244/190	244/190	360		
2.0E(ftat)	Code IRC2015/TP12014	Matrix-S					480	244/190	244/190	360		
2.0E(ftat)		WB					480	244/190	244/190	360		
2.0E(ftat)		BC					480	244/190	244/190	360		
2.0E(ftat)		TC					480	244/190	244/190	360		
2.0E(ftat)		Matrix-S					480	244/190	244/190	360		

LUMBER-	BRACING-	RECTIONS.	FORCES.
TOP CHORD	TOP CHORD	(lb/size)	(lb) - Max. Comp./Max. Ten. - All forces 250 (lb) or less except when shown.
2x4 SP 2400F 2.0E(ftat)	Structural wood sheathing directly applied or 6-0-0 oc purlins, except end verticals.	11=996/0-3-8, 21=989/0-3-8	
2x4 SP No.3(ftat)	Rigid ceiling directly applied or 10-0 oc bracing.		
4x4 SP No.2(ftat)			
OTHERS			
WEBS			
TOP CHORD			
16-17=0/1997, 14-16=0/3744, 12-13=0/3744, 11-12=0/1895			
8-9=-3127/0			
1-2=-1154/0, 2-3=-1152/0, 3-4=-3191/0, 4-5=-3191/0, 5-6=-3744/0, 6-8=-3127/0,			
1-17=0/1423, 9-11=-2080/0, 9-12=0/1363, 8-12=-301/118, 6-12=-960/0, 3-17=-1148/0,			
3-16=0/1320, 4-16=-324/12, 5-16=-926/0, 1-21=-1007/0			

- NOTES-**
- Unbalanced floor live loads have been considered for this design.
 - All plates are MT20 plates unless otherwise indicated.
 - Plates checked for a plus or minus 1 degree rotation about its center.
 - Bearing at joint(s) 21 considers parallel to grain value using ANSIT/PI 1 angle to grain formula. Building designer should verify capacity of bearing surface.
 - Recommend 2x6 strongbacks, on edge, spaced at 10-0 oc and fastened to each truss with 3-10d (0.131" X 3") nails. Strongbacks to be attached to walls at their outer ends or restrained by other means.
 - CAUTION, Do not erect truss backwards.



November 18, 2019

WARNING - Verify design parameters and READ NOTES ON THIS AND INCLUDED MITTEK REFERENCE PAGE M11-173 rev. 10/03/2015 BEFORE USE.
 Design valid for use only with MITTEK@ connectors. This design is based only upon parameters shown, and is for an individual building component, not a truss system. Before use, the building designer must verify the applicability of design parameters and properly incorporate this design into the overall building design. Bracing indicated is to prevent buckling of individual truss web and/or chord members only. Additional temporary and permanent bracing is always required for stability and to prevent collapse with possible personal injury and property damage. For general guidance regarding the fabrication, storage, delivery, erection and bracing of trusses and truss systems, see ANSIT/PI Quality Criteria, DSB-89 and BCSI Building Component available from Truss Plate Institute, 218 N. Lee Street, Suite 312, Alexandria, VA 22314.

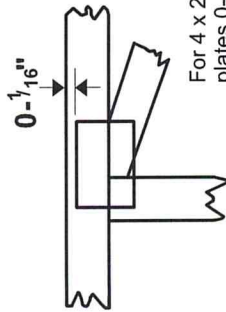
818 Soundside Road
 Edenton, NC 27932



Symbols

PLATE LOCATION AND ORIENTATION

Center plate on joint unless x, y offsets are indicated. Dimensions are in ft-in-sixteenths. Apply plates to both sides of truss and fully embed teeth.



For 4 x 2 orientation, locate plates 0- 1/16" from outside edge of truss.



This symbol indicates the required direction of slots in connector plates.

* Plate location details available in **MiTek 20/20** software or upon request.

PLATE SIZE

4 X 4

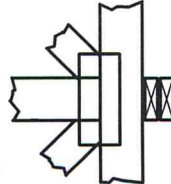
The first dimension is the plate width measured perpendicular to slots. Second dimension is the length parallel to slots.

LATERAL BRACING LOCATION



Indicated by symbol shown and/or by text in the bracing section of the output. Use T or I bracing if indicated.

BEARING



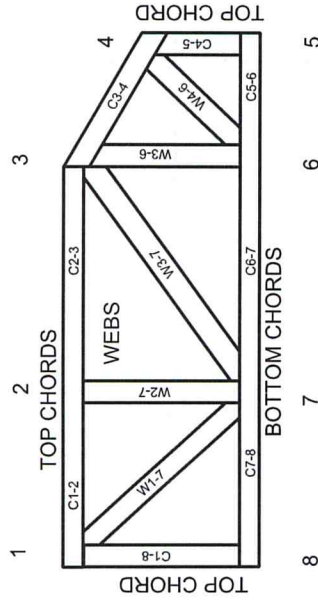
Indicates location where bearings (supports) occur. Icons vary but reaction section indicates joint number where bearings occur. Min size shown is for crushing only.

Industry Standards:

- ANSI/TPI1: National Design Specification for Metal Plate Connected Wood Truss Construction.
- DSB-89: Design Standard for Bracing.
- BCSI: Building Component Safety Information, Guide to Good Practice for Handling, Installing & Bracing of Metal Plate Connected Wood Trusses.

Numbering System

6-4-8 dimensions shown in ft-in-sixteenths (Drawings not to scale)



JOINTS ARE GENERALLY NUMBERED/LETTERED CLOCKWISE AROUND THE TRUSS STARTING AT THE JOINT FARTHEST TO THE LEFT.

CHORDS AND WEBS ARE IDENTIFIED BY END JOINT NUMBERS/LETTERS.

PRODUCT CODE APPROVALS

ICC-ES Reports:

ESR-1311, ESR-1352, ESR 1988
ER-3907, ESR-2362, ESR-1397, ESR-3282

Trusses are designed for wind loads in the plane of the truss unless otherwise shown.

Lumber design values are in accordance with ANSI/TPI 1 section 6.3 These truss designs rely on lumber values established by others.

© 2012 MiTek® All Rights Reserved



MiTek Engineering Reference Sheet: MI-7473 rev. 10/03/2015

General Safety Notes

Failure to Follow Could Cause Property Damage or Personal Injury

- Additional stability bracing for truss system, e.g. diagonal or X-bracing, is always required. See BCSI.
- Truss bracing must be designed by an engineer. For wide truss spacing, individual lateral braces themselves may require bracing, or alternative Tor I bracing should be considered.
- Never exceed the design loading shown and never stack materials on inadequately braced trusses.
- Provide copies of this truss design to the building designer, erection supervisor, property owner and all other interested parties.
- Cut members to bear tightly against each other.
- Place plates on each face of truss at each joint and embed fully. Knots and wane at joint locations are regulated by ANSI/TPI 1.
- Design assumes trusses will be suitably protected from the environment in accord with ANSI/TPI 1.
- Unless otherwise noted, moisture content of lumber shall not exceed 19% at time of fabrication.
- Unless expressly noted, this design is not applicable for use with fire retardant, preservative treated, or green lumber.
- Camber is a non-structural consideration and is the responsibility of truss fabricator. General practice is to camber for dead load deflection.
- Plate type, size, orientation and location dimensions indicated are minimum plating requirements.
- Lumber used shall be of the species and size, and in all respects, equal to or better than that specified.
- Top chords must be sheathed or purlins provided at spacing indicated on design.
- Bottom chords require lateral bracing at 10 ft. spacing, or less, if no ceiling is installed, unless otherwise noted.
- Connections not shown are the responsibility of others.
- Do not cut or alter truss member or plate without prior approval of an engineer.
- Install and load vertically unless indicated otherwise.
- Use of green or treated lumber may pose unacceptable environmental, health or performance risks. Consult with project engineer before use.
- Review all portions of this design (front, back, words and pictures) before use. Reviewing pictures alone is not sufficient.
- Design assumes manufacture in accordance with ANSI/TPI 1 Quality Criteria.