

Trenco
818 Soundside Rd
Edenton, NC 27932

Re: 25003
J.Lee/Smith

The truss drawing(s) referenced below have been prepared by Truss Engineering Co. under my direct supervision based on the parameters provided by C & R Truss.

Pages or sheets covered by this seal: I40703161 thru I40703200

My license renewal date for the state of North Carolina is December 31, 2020.

North Carolina COA: C-0844



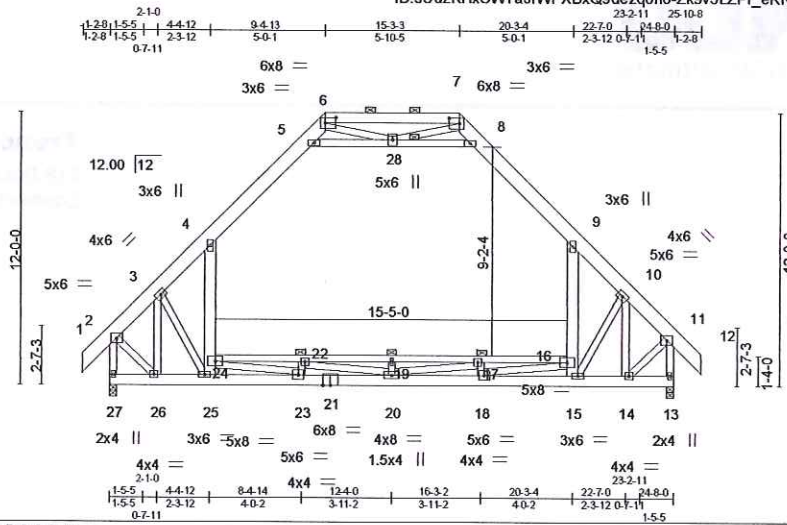
March 20, 2020

Johnson, Andrew

IMPORTANT NOTE: The seal on these truss component designs is a certification that the engineer named is licensed in the jurisdiction(s) identified and that the designs comply with ANSI/TPI 1. These designs are based upon parameters shown (e.g., loads, supports, dimensions, shapes and design codes), which were given to MiTek or TRENCO. Any project specific information included is for MiTek's or TRENCO's customers file reference purpose only, and was not taken into account in the preparation of these designs. MiTek or TRENCO has not independently verified the applicability of the design parameters or the designs for any particular building. Before use, the building designer should verify applicability of design parameters and properly incorporate these designs into the overall building design per ANSI/TPI 1, Chapter 2.

Job	Truss	Truss Type	Qty	Ply	J.Lee/Smith	140703161
25003	AT01	PIGGYBACK ATTIC	4	1		
C&R Building Supply, Atruyville NC						Job Reference (optional)

7.640 s Aug 16 2017 MITek Industries, Inc. Fri Mar 20 11:56:49 2020 Page 1
 ID:sUu2KHxSWTajrWPXBxQ9deZqon6-Zk9v5LZPr_eKN_n?agg5NF9_QMIRna8rJQwdsuZ2Uj



Scale = 1:94.0

Plate Offsets (X,Y) - [6:0-5-8,0-3-0], [7:0-5-8,0-3-0]

LOADING (psf)	SPACING-	2-0-0	CSI.	DEFL.	in (loc)	l/defl	L/d	PLATES	GRIP
TCLL 20.0	Plate Grip DOL	1.15	TC 0.37	Vert(LL)	-0.27	19	>999	MT20	197/144
TCDL 10.0	Lumber DOL	1.15	BC 0.84	Vert(TL)	-0.49	19	>596		
BCLL 0.0 *	Rep Stress Incr	YES	WB 0.69	Horz(TL)	0.03	13	n/a		
BCDL 10.0	Code IRC2012/TPI2007		(Matrix-M)	Wind(LL)	-0.06	23-25	>999		
								Weight: 291 lb	FT = 20%

LUMBER-

TOP CHORD 2x8 SP 2400F 2.0E *Except*
 6-7: 2x6 SP No.1
 BOT CHORD 2x6 SP 2400F 2.0E *Except*
 16-24: 2x4 SPF 2700F 2.0E
 WEBS 2x4 SP No.3 *Except*
 4-25,9-15: 2x6 SP No.1
 5-8,2-27,11-13,23-24,20-22,17-20,16-18: 2x4 SP No.2

BRACING-

TOP CHORD Structural wood sheathing directly applied or 6-0-0 oc purlins, except end verticals, and 2-0-0 oc purlins (10-0-0 max.): 6-7.
 BOT CHORD Rigid ceiling directly applied or 10-0-0 oc bracing. Except: 4-5-0 oc bracing: 16-24
 JOINTS 1 Brace at Jt(s): 28

REACTIONS.

(size) 27=0-3-8, 13=0-3-8
 Max Horz 27=275(LC 7)
 Max Grav 27=1665(LC 14), 13=1665(LC 15)

FORCES.

(lb) - Max. Comp./Max. Ten. - All forces 250 (lb) or less except when shown.
 TOP CHORD 2-3=-1062/28, 3-4=-1616/0, 4-5=-977/131, 5-6=-166/437, 7-8=-166/437, 8-9=-978/131, 9-10=-1617/0, 10-11=-1063/28, 6-7=0/692, 2-27=-1600/0, 11-13=-1601/0
 BOT CHORD 26-27=-259/284, 25-26=-24/937, 23-25=-109/1018, 20-23=0/3012, 18-20=0/2993, 15-18=0/824, 14-15=0/742, 22-24=-2266/0, 19-22=-3192/0, 17-19=-3192/0, 16-17=-2266/0
 WEBS 24-25=-7/344, 4-24=0/1085, 15-16=-7/344, 9-16=0/1085, 5-28=-1606/136, 8-28=-1610/136, 6-28=-63/274, 7-28=-63/275, 19-20=-348/0, 22-23=-599/0, 17-18=-599/0, 23-24=0/2456, 20-22=0/987, 17-20=0/995, 16-18=0/2456, 3-26=-1059/0, 2-26=0/1049, 3-25=-114/333, 10-14=-1061/0, 10-15=-115/334, 11-14=0/1049

NOTES-

- Unbalanced roof live loads have been considered for this design.
- Wind: ASCE 7-10; Vult=140mph (3-second gust) V(IRC2012)=111 mph; TCDL=6.0psf; BCDL=6.0psf; h=20ft; B=45ft; L=25ft; eave=4ft; Cat. II; Exp B; enclosed; MWFRS (directional); Lumber DOL=1.60 plate grip DOL=1.60
- Provide adequate drainage to prevent water ponding.
- This truss has been designed for a 10.0 psf bottom chord live load nonconcurrent with any other live loads.
- * This truss has been designed for a live load of 20.0psf on the bottom chord in all areas with a clearance greater than 6-0-0 between the bottom chord and any other members.
- Ceiling dead load (5.0 psf) on member(s). 4-5, 8-9, 5-28, 8-28
- Bottom chord live load (40.0 psf) and additional bottom chord dead load (0.0 psf) applied only to room. 22-24, 19-22, 17-19, 16-17
- "Semi-rigid pitchbreaks including heels" Member end fixity model was used in the analysis and design of this truss.
- Graphical purlin representation does not depict the size or the orientation of the purlin along the top and/or bottom chord.
- Attic room checked for L/360 deflection.



March 20, 2020

Design valid for use only with MITek® connectors. This design is based only upon parameters shown, and is for an individual building component, not a truss system. Before use, the building designer must verify the applicability of design parameters and properly incorporate this design into the overall building design. Bracing indicated is to prevent buckling of individual truss web and/or chord members only. Additional temporary and permanent bracing is always required for stability and to prevent collapse with possible personal injury and property damage. For general guidance regarding the fabrication, storage, delivery, erection and bracing of trusses and truss systems, see ANS/ITPI Quality Criteria, DSB-89 and BCSI Building Component Safety Information available from Truss Plate Institute, 218 N. Lee Street, Suite 312, Alexandria, VA 22314.



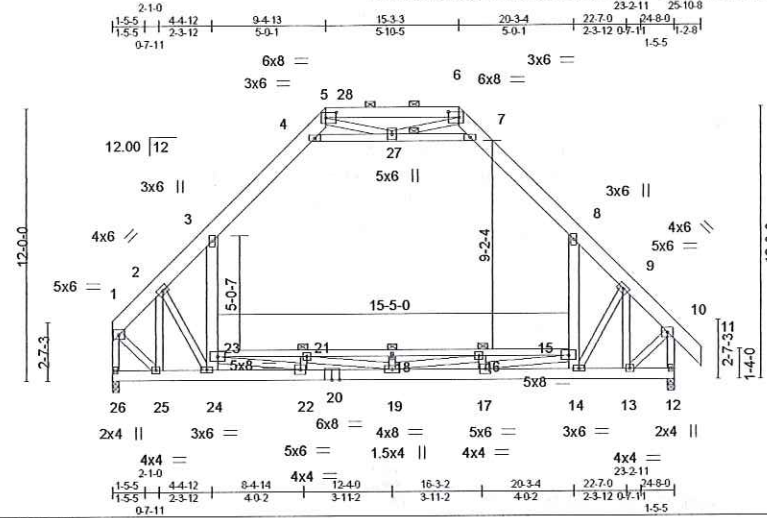
818 Soundside Road
 Edenton, NC 27932

Job 25003	Truss AT01A	Truss Type PIGGYBACK ATTIC	Qty 2	Ply 1	J.Lee/Smith	140703162
--------------	----------------	-------------------------------	----------	----------	-------------	-----------

C&R Building Supply, Autryville NC

7.640 s Aug 16 2017 MITek Industries, Inc. Fri Mar 20 11:56:51 2020 Page 1

ID:sUu2KHxSWTaJrWPXBxQ9deZqon6-V6Hw1afNbu2cHxOISiZTgFKu9OvFud8mkPkwzZ2Ug



Scale = 1:94.0

Plate Offsets (X,Y)-- [5:0-5-8,0-3-0], [6:0-5-8,0-3-0]

LOADING (psf)	SPACING-	2-0-0	CSI.	DEFL.	in (loc)	l/defl	L/d	PLATES	GRIP
TCLL 20.0	Plate Grip DOL	1.15	TC 0.38	Vert(LL)	-0.27	18	>999	MT20	197/144
TCDL 10.0	Lumber DOL	1.15	BC 0.84	Vert(TL)	-0.49	18	>596		
BCLL 0.0 *	Rep Stress Incr	YES	WB 0.69	Horz(TL)	0.03	12	n/a		
BCDL 10.0	Code IRC2012/TPI2007		(Matrix-M)	Wind(LL)	-0.06	22-24	>999		
								Weight: 285 lb	FT = 20%

LUMBER-

- TOP CHORD 2x8 SP 2400F 2.0E *Except*
5-6: 2x6 SP No.1
- BOT CHORD 2x6 SP 2400F 2.0E *Except*
15-23: 2x4 SPF 2700F 2.0E
- WEBS 2x4 SP No.3 *Except*
3-24,8-14: 2x6 SP No.1
4-7,1-26,10-12,22-23,19-21,16-19,15-17: 2x4 SP No.2

BRACING-

- TOP CHORD Structural wood sheathing directly applied or 6-0-0 oc purlins, except end verticals, and 2-0-0 oc purlins (10-0-0 max.): 5-6.
- BOT CHORD Rigid ceiling directly applied or 10-0-0 oc bracing. Except: 4-5-0 oc bracing: 15-23
- JOINTS 1 Brace at Jt(s): 27

REACTIONS.

(size) 26=0-3-8, 12=0-3-8
Max Horz 26=-263(LC 6)
Max Grav 26=1587(LC 14), 12=1668(LC 15)

FORCES.

- (lb) - Max. Comp./Max. Ten. - All forces 250 (lb) or less except when shown.
- TOP CHORD 1-2=-1048/0, 2-3=-1628/0, 3-4=-978/129, 4-5=-164/438, 6-7=-165/439, 7-8=-980/128, 8-9=-1619/0, 9-10=-1064/27, 5-6=0/694, 1-26=-1522/0, 10-12=-1602/0
- BOT CHORD 25-26=-238/273, 24-25=-18/949, 22-24=-103/1026, 19-22=0/3020, 17-19=0/2993, 14-17=0/821, 13-14=0/743, 21-23=-2269/0, 18-21=-3193/0, 16-18=-3193/0, 15-16=-2265/0
- WEBS 23-24=0/349, 3-23=0/1090, 14-15=-6/345, 8-15=0/1086, 4-27=-1612/130, 7-27=-1617/126, 5-27=-63/272, 6-27=-61/277, 18-19=-348/0, 21-22=-598/0, 16-17=-600/0, 22-23=0/2456, 19-21=0/980, 16-19=0/1000, 15-17=0/2456, 2-25=-1053/0, 1-25=0/1068, 2-24=-120/311, 9-13=-1064/0, 9-14=-114/336, 10-13=0/1050

NOTES-

- Unbalanced roof live loads have been considered for this design.
- Wind: ASCE 7-10; Vult=140mph (3-second gust) V(IRC2012)=111 mph; TCDL=6.0psf; BCDL=6.0psf; h=20ft; B=45ft; L=25ft; eave=4ft; Cat. II; Exp B; enclosed; MWFRS (directional); Lumber DOL=1.60 plate grip DOL=1.60
- Provide adequate drainage to prevent water ponding.
- This truss has been designed for a 10.0 psf bottom chord live load nonconcurrent with any other live loads.
- * This truss has been designed for a live load of 20.0psf on the bottom chord in all areas with a clearance greater than 6-0-0 between the bottom chord and any other members.
- Ceiling dead load (5.0 psf) on member(s). 3-4, 7-8, 4-27, 7-27
- Bottom chord live load (40.0 psf) and additional bottom chord dead load (0.0 psf) applied only to room. 21-23, 18-21, 16-18, 15-16
- "Semi-rigid pitchbreaks including heels" Member end fixity model was used in the analysis and design of this truss.
- Graphical purlin representation does not depict the size or the orientation of the purlin along the top and/or bottom chord.
- Attic room checked for L/360 deflection.



March 20, 2020

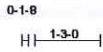
Design valid for use only with MITek® connectors. This design is based only upon parameters shown, and is for an individual building component, not a truss system. Before use, the building designer must verify the applicability of design parameters and properly incorporate this design into the overall building design. Bracing indicated is to prevent buckling of individual truss web and/or chord members only. Additional temporary and permanent bracing is always required for stability and to prevent collapse with possible personal injury and property damage. For general guidance regarding the fabrication, storage, delivery, erection and bracing of trusses and truss systems, see ANSITPI Quality Criteria, DSB-89 and BCSI Building Component Safety Information available from Truss Plate Institute, 218 N. Lee Street, Suite 312, Alexandria, VA 22314.

TRENCO
ENGINEERING BY
818 Soundside Road
Edenton, NC 27932

Job 25003	Truss F01	Truss Type ROOF TRUSS	Qty 8	Ply 1	J.Lee/Smith	I40703163
--------------	--------------	--------------------------	----------	----------	-------------	-----------

C&R Building Supply, Autryville NC

7.640 s Aug 16 2017 MITek Industries, Inc. Fri Mar 20 11:56:52 2020 Page 1
ID:sUu2KHxSWTajrWpXBxQ9dezqon6-zJr1kNbh8v0uERWafpEo?unXeZfN_5H7O9HSDZ2ZUf



0-1-8
Scale = 1:41.4

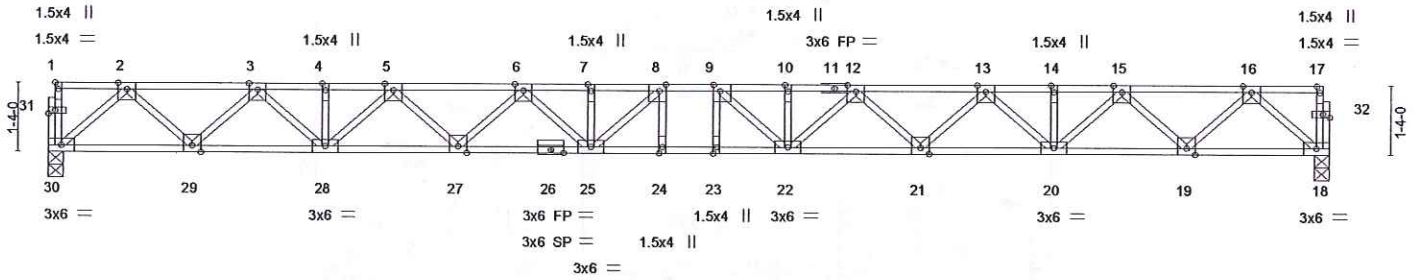


Plate Offsets (X, Y) - [1:Edge,0-0-12], [8:0-1-8,Edge], [9:0-1-8,Edge], [31:0-1-8,0-0-12], [32:0-1-8,0-0-12]					
LOADING (psf)	SPACING 1-4-0	CSI.	DEFL. in (loc) l/defl L/d	PLATES	GRIP
TCLL 40.0	Plate Grip DOL 1.00	TC 0.25	Vert(LL) -0.41 24 >720 480	MT20	244/190
TCDL 10.0	Lumber DOL 1.00	BC 0.44	Vert(TL) -0.64 23-24 >460 360		
BCLL 0.0	Rep Stress Incr YES	WB 0.49	Horz(TL) 0.10 18 n/a n/a		
BCDL 5.0	Code IRC2012/TPI2007	(Matrix)		Weight: 133 lb	FT = 20%F, 11%E

LUMBER-	BRACING-
TOP CHORD 2x4 SP 2400F 2.0E(flat)	TOP CHORD Structural wood sheathing directly applied or 6-0-0 oc purlins, except end verticals.
BOT CHORD 2x4 SP 2400F 2.0E(flat)	BOT CHORD Rigid ceiling directly applied or 10-0-0 oc bracing.
WEBS 2x4 SP No.3(flat)	

REACTIONS. (size) 30=0-3-8, 18=0-3-8
Max Grav 30=891(LC 1), 18=891(LC 1)

FORCES. (lb) - Max. Comp./Max. Ten. - All forces 250 (lb) or less except when shown.
 TOP CHORD 2-3=-1714/0, 3-4=-3018/0, 4-5=-3018/0, 5-6=-3889/0, 6-7=-4404/0, 7-8=-4404/0, 8-9=-4506/0, 9-10=-4404/0, 10-12=-4404/0, 12-13=-3889/0, 13-14=-3018/0, 14-15=-3018/0, 15-16=-1714/0
 BOT CHORD 29-30=0/978, 28-29=0/2429, 27-28=0/3544, 25-27=0/4216, 24-25=0/4506, 23-24=0/4506, 22-23=0/4506, 21-22=0/4216, 20-21=0/3544, 19-20=0/2429, 18-19=0/978
 WEBS 2-30=-1301/0, 2-29=0/1023, 3-29=-995/0, 3-28=0/799, 16-18=-1301/0, 16-19=0/1023, 15-19=-995/0, 15-20=0/799, 13-20=-715/0, 13-21=0/481, 12-21=-455/0, 5-28=-715/0, 5-27=0/481, 6-27=-455/0, 6-25=0/317, 12-22=0/317, 8-25=-411/196, 9-22=-411/196

- NOTES-**
- 1) Unbalanced floor live loads have been considered for this design.
 - 2) All plates are 4x4 MT20 unless otherwise indicated.
 - 3) The Fabrication Tolerance at joint 26 = 11%
 - 4) "Semi-rigid pitchbreaks including heels" Member end fixity model was used in the analysis and design of this truss.
 - 5) Required 2x6 strongbacks, on edge, spaced at 10-0-0 oc and fastened to each truss with 3-10d (0.131" X 3") nails. Strongbacks to be attached to walls at their outer ends or restrained by other means.



March 20,2020

Design valid for use only with MITek® connectors. This design is based only upon parameters shown, and is for an individual building component, not a truss system. Before use, the building designer must verify the applicability of design parameters and properly incorporate this design into the overall building design. Bracing indicated is to prevent buckling of individual truss web and/or chord members only. Additional temporary and permanent bracing is always required for stability and to prevent collapse with possible personal injury and property damage. For general guidance regarding the fabrication, storage, delivery, erection and bracing of trusses and truss systems, see ANSI/TPI1 Quality Criteria, DSB-89 and BCS1 Building Component Safety Information available from Truss Plate Institute, 218 N. Lee Street, Suite 312, Alexandria, VA 22314.

ENGINEERING BY
TRENCO
1114 3000-0

818 Soundside Road
Edenton, NC 27932

Job 25003	Truss F02	Truss Type ROOF TRUSS	Qty 1	Ply 1	J.Lee/Smith	140703164
--------------	--------------	--------------------------	----------	----------	-------------	-----------

C&R Building Supply, Autryville NC

7.640 s Aug 16 2017 MITek Industries, Inc. Fri Mar 20 11:56:53 2020 Page 1
ID:sUu2KHxSWTaJrWPXBxQ9dezqon6-RVPPXjcwvC8lsb5mpWH1Y5Kl3zE?JdRD2ur7tzZ2Ue

0-1-8



Scale = 1:20.7

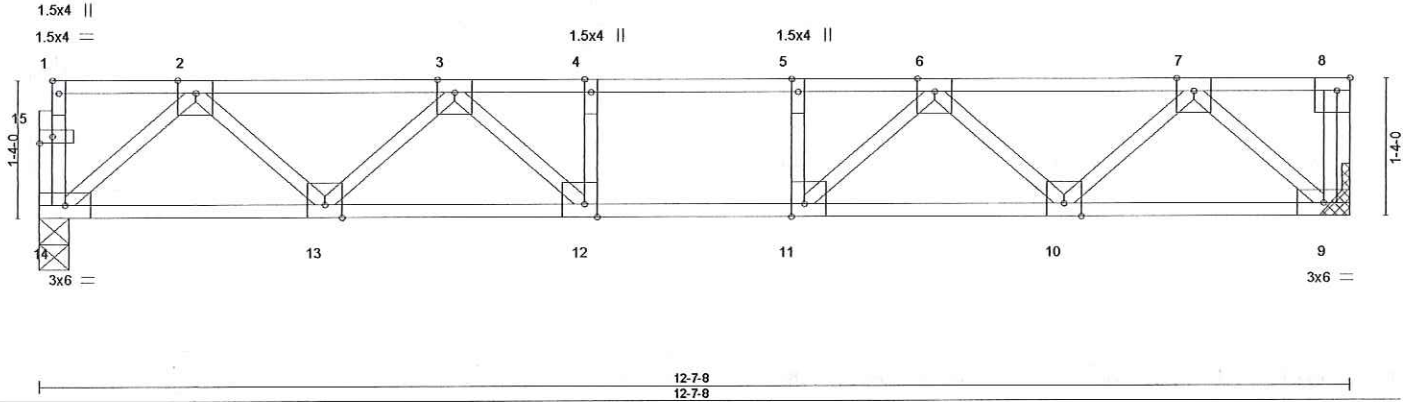


Plate Offsets (X,Y) - [1:Edge,0-0-12], [8:0-1-8,Edge], [11:0-1-8,Edge], [12:0-1-8,Edge], [15:0-1-8,0-0-12]

LOADING (psf)	SPACING-	2-0-0	CSI.	DEFL.	in (loc)	l/defl	L/d	PLATES	GRIP
TCLL 40.0	Plate Grip DOL	1.00	TC 0.20	Vert(LL)	-0.06 10-11	>999	360	MT20	244/190
TCDL 10.0	Lumber DOL	1.00	BC 0.22	Vert(TL)	-0.09 10-11	>999	240		
BCLL 0.0	Rep Stress Incr	YES	WB 0.28	Horz(TL)	0.02 9	n/a	n/a		
BCDL 5.0	Code	IRC2012/TPI2007	(Matrix)					Weight: 66 lb	FT = 20%F, 11%E

LUMBER-

TOP CHORD 2x4 SP 2400F 2.0E(flat)
 BOT CHORD 2x4 SP 2400F 2.0E(flat)
 WEBS 2x4 SP No.3(flat)

BRACING-

TOP CHORD Structural wood sheathing directly applied or 6-0-0 oc purlins, except end verticals.
 BOT CHORD Rigid ceiling directly applied or 10-0-0 oc bracing.

REACTIONS.

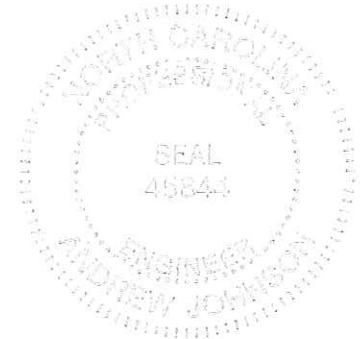
(size) 14=0-3-8, 9=Mechanical
 Max Grav 14=674(LC 1), 9=681(LC 1)

FORCES. (lb) - Max. Comp./Max. Ten. - All forces 250 (lb) or less except when shown.

TOP CHORD 2-3=-1136/0, 3-4=-1712/0, 4-5=-1712/0, 5-6=-1712/0, 6-7=-1136/0
 BOT CHORD 13-14=0/718, 12-13=0/1524, 11-12=0/1712, 10-11=0/1524, 9-10=0/719
 WEBS 2-14=-954/0, 2-13=0/581, 3-13=-539/0, 3-12=0/440, 7-9=-957/0, 7-10=0/581, 6-10=-539/0, 6-11=0/440

NOTES-

- Unbalanced floor live loads have been considered for this design.
- All plates are 4x4 MT20 unless otherwise indicated.
- Refer to girder(s) for truss to truss connections.
- "Semi-rigid pitchbreaks including heels" Member end fixity model was used in the analysis and design of this truss.
- Recommend 2x6 strongbacks, on edge, spaced at 10-0-0 oc and fastened to each truss with 3-10d (0.131" X 3") nails. Strongbacks to be attached to walls at their outer ends or restrained by other means.
- CAUTION, Do not erect truss backwards.



March 20, 2020

Design valid for use only with MITek® connectors. This design is based only upon parameters shown, and is for an individual building component, not a truss system. Before use, the building designer must verify the applicability of design parameters and properly incorporate this design into the overall building design. Bracing indicated is to prevent buckling of individual truss web and/or chord members only. Additional temporary and permanent bracing is always required for stability and to prevent collapse with possible personal injury and property damage. For general guidance regarding the fabrication, storage, delivery, erection and bracing of trusses and truss systems, see ANS/TP11 Quality Criteria, DSB-89 and BCSI Building Component Safety Information available from Truss Plate Institute, 218 N. Lee Street, Suite 312, Alexandria, VA 22314.

DESIGNED BY
TRENCO
 818 Soundside Road
 Edenton, NC 27932

Job 25003	Truss F02A	Truss Type ROOF TRUSS	Qty 1	Ply 1	J.Lee/Smith	I40703165
--------------	---------------	--------------------------	----------	----------	-------------	-----------

C&R Building Supply, Autryville NC

7.640 s Aug 16 2017 MITek Industries, Inc. Fri Mar 20 11:56:54 2020 Page 1

ID:sUu2KHxSWTaJrWPXBxQ9dezqpn6-whzo93dYgWGcTlgyNEGG4JtspNZESxtaSieOX5zZ2Ud

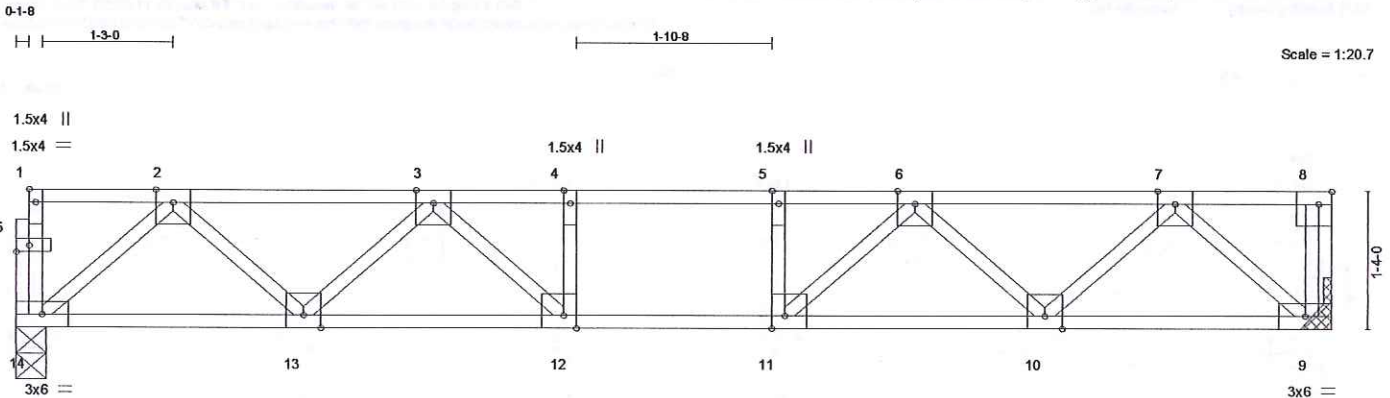


Plate Offsets (X,Y)-	[1:Edge,0-0-12], [8:0-1-8,Edge], [11:0-1-8,Edge], [12:0-1-8,Edge], [15:0-1-8,0-0-12]
----------------------	--

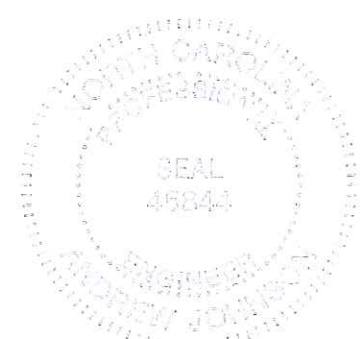
LOADING (psf)	SPACING-	CSI.	DEFL.	PLATES	GRIP
TCLL 40.0	2-0-0	TC 0.20	in (loc) l/defl L/d	MT20	244/190
TCDL 10.0	Plate Grip DOL 1.00	BC 0.22	Vert(LL) -0.06 10-11 >999 360		
BCLL 0.0	Lumber DOL 1.00	WB 0.28	Vert(TL) -0.09 10-11 >999 240		
BCDL 5.0	Rep Stress Incr YES	(Matrix)	Horz(TL) 0.02 9 n/a n/a		
	Code IRC2012/TPI2007			Weight: 66 lb	FT = 20%F, 11%E

LUMBER-	BRACING-
TOP CHORD 2x4 SP 2400F 2.0E(flat)	TOP CHORD Structural wood sheathing directly applied or 6-0-0 oc purlins, except end verticals.
BOT CHORD 2x4 SP 2400F 2.0E(flat)	BOT CHORD Rigid ceiling directly applied or 10-0-0 oc bracing.
WEBS 2x4 SP No.3(flat)	

REACTIONS. (size) 14=0-3-8, 9=Mechanical
Max Grav 14=674(LC 1), 9=681(LC 1)

FORCES. (lb) - Max. Comp./Max. Ten. - All forces 250 (lb) or less except when shown.
TOP CHORD 2-3=-1136/0, 3-4=-1712/0, 4-5=-1712/0, 5-6=-1712/0, 6-7=-1136/0
BOT CHORD 13-14=0/718, 12-13=0/1524, 11-12=0/1712, 10-11=0/1524, 9-10=0/719
WEBS 2-14=-954/0, 2-13=0/581, 3-13=-539/0, 3-12=0/440, 7-9=-957/0, 7-10=0/581, 6-10=-539/0, 6-11=0/440

- NOTES-**
- 1) Unbalanced floor live loads have been considered for this design.
 - 2) All plates are 4x4 MT20 unless otherwise indicated.
 - 3) Refer to girder(s) for truss to truss connections.
 - 4) "Semi-rigid pitchbreaks including heels" Member end fixity model was used in the analysis and design of this truss.
 - 5) Recommend 2x6 strongbacks, on edge, spaced at 10-0-0 oc and fastened to each truss with 3-10d (0.131" X 3") nails. Strongbacks to be attached to walls at their outer ends or restrained by other means.
 - 6) CAUTION, Do not erect truss backwards.



March 20, 2020

Design valid for use only with MITek® connectors. This design is based only upon parameters shown, and is for an individual building component, not a truss system. Before use, the building designer must verify the applicability of design parameters and properly incorporate this design into the overall building design. Bracing indicated is to prevent buckling of individual truss web and/or chord members only. Additional temporary and permanent bracing is always required for stability and to prevent collapse with possible personal injury and property damage. For general guidance regarding the fabrication, storage, delivery, erection and bracing of trusses and truss systems, see ANS/TPH Quality Criteria, DSB-89 and BCSI Building Component Safety Information available from Truss Plate Institute, 218 N. Lee Street, Suite 312, Alexandria, VA 22314.

ENGINEERING BY
TRENCO
2114-4-0000-0000

818 Soundside Road
Edenton, NC 27932

Job 25003	Truss F03	Truss Type ROOF TRUSS	Qty 1	Ply 1	J.Lee/Smith	140703166
--------------	--------------	--------------------------	----------	----------	-------------	-----------

C&R Building Supply, Autryville NC

7.640 s Aug 16 2017 MTEK Industries, Inc. Fri Mar 20 11:56:54 2020 Page 1

ID:sUu2KHxSWTaJrWPXBxQ9dezqon6-whzo93dYgWcTlgyNEGG4Jr1NYOSzYaSieOX5zZ2Ud

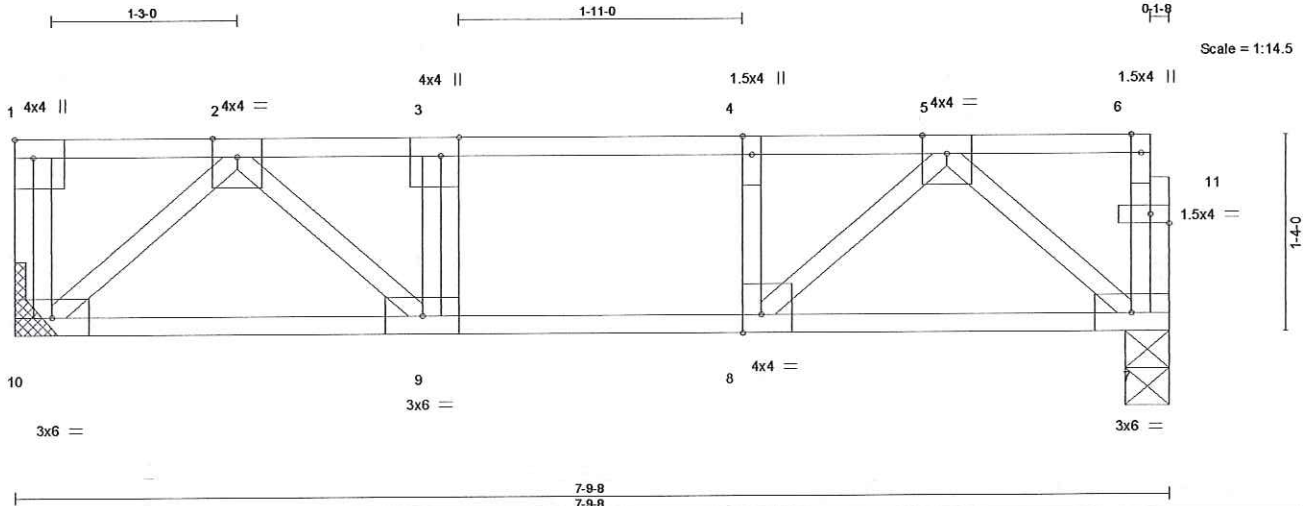


Plate Offsets (X,Y)- [1:Edge,0-1-8], [3:0-1-8,Edge], [8:0-1-8,Edge], [11:0-1-8,0-0-12]

LOADING (psf)	SPACING-	CSI.	DEFL.	in (loc)	l/defl	L/d	PLATES	GRIP
TCLL 40.0	2-0-0	TC 0.32	Vert(LL)	-0.03	9-10	>999	MT20	244/190
TCDL 10.0	Plate Grip DOL 1.00	BC 0.28	Vert(TL)	-0.04	9-10	>999		
BCLL 0.0	Lumber DOL 1.00	WB 0.17	Horz(TL)	0.01	7	n/a		
BCDL 5.0	Rep Stress Incr YES	(Matrix)					Weight: 44 lb	FT = 20%F, 11%E
	Code IRC2012/TPI2007							

LUMBER-

TOP CHORD 2x4 SP No.2(flat)
 BOT CHORD 2x4 SP No.2(flat)
 WEBS 2x4 SP No.3(flat)

BRACING-

TOP CHORD Structural wood sheathing directly applied or 6-0-0 oc purlins, except end verticals.
 BOT CHORD Rigid ceiling directly applied or 10-0-0 oc bracing.

REACTIONS.

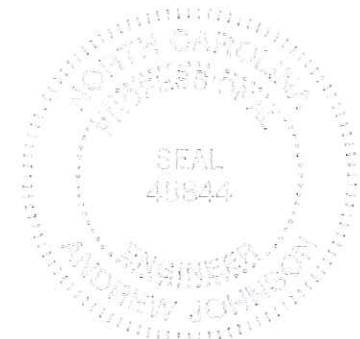
(size) 10=Mechanical, 7=0-3-8
 Max Grav 10=415(LC 1), 7=409(LC 1)

FORCES. (lb) - Max. Comp./Max. Ten. - All forces 250 (lb) or less except when shown.

TOP CHORD 2-3=-624/0, 3-4=-624/0, 4-5=-624/0
 BOT CHORD 9-10=0/392, 8-9=0/624, 7-8=0/391
 WEBS 2-10=-522/0, 2-9=0/348, 5-7=-516/0, 5-8=0/355

NOTES-

- Unbalanced floor live loads have been considered for this design.
- Refer to girder(s) for truss to truss connections.
- "Semi-rigid pitchbreaks including heels" Member end fixity model was used in the analysis and design of this truss.
- Recommend 2x6 strongbacks, on edge, spaced at 10-0-0 oc and fastened to each truss with 3-10d (0.131" X 3") nails. Strongbacks to be attached to walls at their outer ends or restrained by other means.
- CAUTION, Do not erect truss backwards.



March 20, 2020

<p>Design valid for use only with MTEK® connectors. This design is based only upon parameters shown, and is for an individual building component, not a truss system. Before use, the building designer must verify the applicability of design parameters and properly incorporate this design into the overall building design. Bracing indicated is to prevent buckling of individual truss web and/or chord members only. Additional temporary and permanent bracing is always required for stability and to prevent collapse with possible personal injury and property damage. For general guidance regarding the fabrication, storage, delivery, erection and bracing of trusses and truss systems, see ANSITPI Quality Criteria, DSB-89 and BCSI Building Component Safety Information available from Truss Plate Institute, 218 N. Lee Street, Suite 312, Alexandria, VA 22314.</p>	<p>ENGINEERED BY TRENCO A L.L.B.E. FIRM 818 Soundside Road Edenton, NC 27932</p>
--	---

Job 25003	Truss F03A	Truss Type ROOF TRUSS	Qty 1	Ply 1	J.Lee/Smith	140703167
--------------	---------------	--------------------------	----------	----------	-------------	-----------

C&R Building Supply, Autryville NC

7.640 s Aug 16 2017 MITek Industries, Inc. Fri Mar 20 11:56:55 2020 Page 1

ID:sUu2KHxSWTaJrWPXBxQ9deZqon6-OuWAMPdAQqQT5vF9xxnVdWp0nmudBQokhMnX3YzZ2Uc

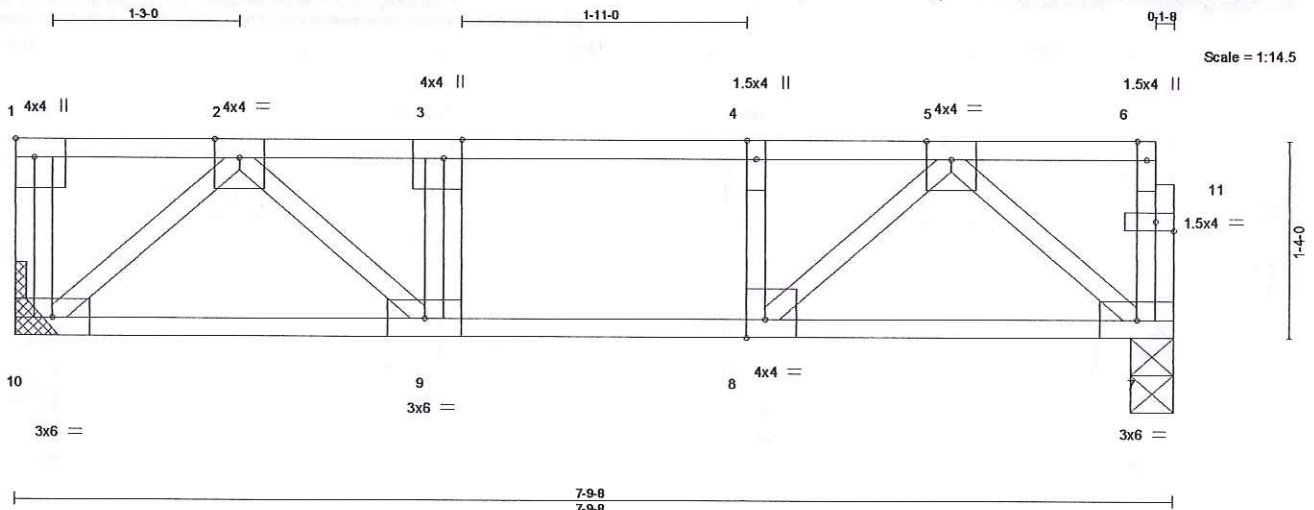


Plate Offsets (X, Y) - [1:Edge,0-1-8], [3:0-1-8,Edge], [8:0-1-8,Edge], [11:0-1-8,0-0-12]

LOADING (psf)	SPACING-	CSI.	DEFL.	in (loc)	l/defl	L/d	PLATES	GRIP
TCLL 40.0	Plate Grip DOL 1.00	TC 0.32	Vert(LL)	-0.03	9-10	>999	MT20	244/190
TCDL 10.0	Lumber DOL 1.00	BC 0.28	Vert(TL)	-0.04	9-10	>999		
BCLL 0.0	Rep Stress Incr YES	WB 0.17	Horz(TL)	0.01	7	n/a		
BCDL 5.0	Code IRC2012/TPI2007	(Matrix)					Weight: 44 lb	FT = 20%F, 11%E

LUMBER-

TOP CHORD 2x4 SP No.2(flat)
 BOT CHORD 2x4 SP No.2(flat)
 WEBS 2x4 SP No.3(flat)

BRACING-

TOP CHORD Structural wood sheathing directly applied or 6-0-0 oc purlins, except end verticals.
 BOT CHORD Rigid ceiling directly applied or 10-0-0 oc bracing.

REACTIONS.

(size) 10=Mechanical, 7=0-3-8
 Max Grav 10=415(LC 1), 7=409(LC 1)

FORCES. (lb) - Max. Comp./Max. Ten. - All forces 250 (lb) or less except when shown.

TOP CHORD 2-3=-624/0, 3-4=-624/0, 4-5=-624/0
 BOT CHORD 9-10=0/392, 8-9=0/624, 7-8=0/391
 WEBS 2-10=-522/0, 2-9=0/348, 5-7=-516/0, 5-8=0/355

NOTES-

- 1) Unbalanced floor live loads have been considered for this design.
- 2) Refer to girder(s) for truss to truss connections.
- 3) "Semi-rigid pitchbreaks including heels" Member end fixity model was used in the analysis and design of this truss.
- 4) Recommend 2x6 strongbacks, on edge, spaced at 10-0-0 oc and fastened to each truss with 3-10d (0.131" X 3") nails. Strongbacks to be attached to walls at their outer ends or restrained by other means.
- 5) CAUTION, Do not erect truss backwards.



March 20, 2020

Design valid for use only with MITek® connectors. This design is based only upon parameters shown, and is for an individual building component, not a truss system. Before use, the building designer must verify the applicability of design parameters and properly incorporate this design into the overall building design. Bracing indicated is to prevent buckling of individual truss web and/or chord members only. Additional temporary and permanent bracing is always required for stability and to prevent collapse with possible personal injury and property damage. For general guidance regarding the fabrication, storage, delivery, erection and bracing of trusses and truss systems, see ANSI/TPI1 Quality Criteria, DSB-89 and BCSI Building Component Safety Information available from Truss Plate Institute, 218 N. Lee Street, Suite 312, Alexandria, VA 22314.



818 Soundside Road
 Edenton, NC 27932

Job 25003	Truss FG01	Truss Type ROOF TRUSS	Qty 1	Ply 1	J.Lee/Smith	I40703168
--------------	---------------	--------------------------	----------	----------	-------------	-----------

C&R Building Supply, Autryville NC 7.640 s Aug 16 2017 MITek Industries, Inc. Fri Mar 20 11:56:57 2020 Page 1
 ID:sUu2KHxSWTajWXPxBxQ9dezqon6-KGewn4fQyReBKCOX2Mp_ixVNdsvfAU08gs28QzZ2Ua

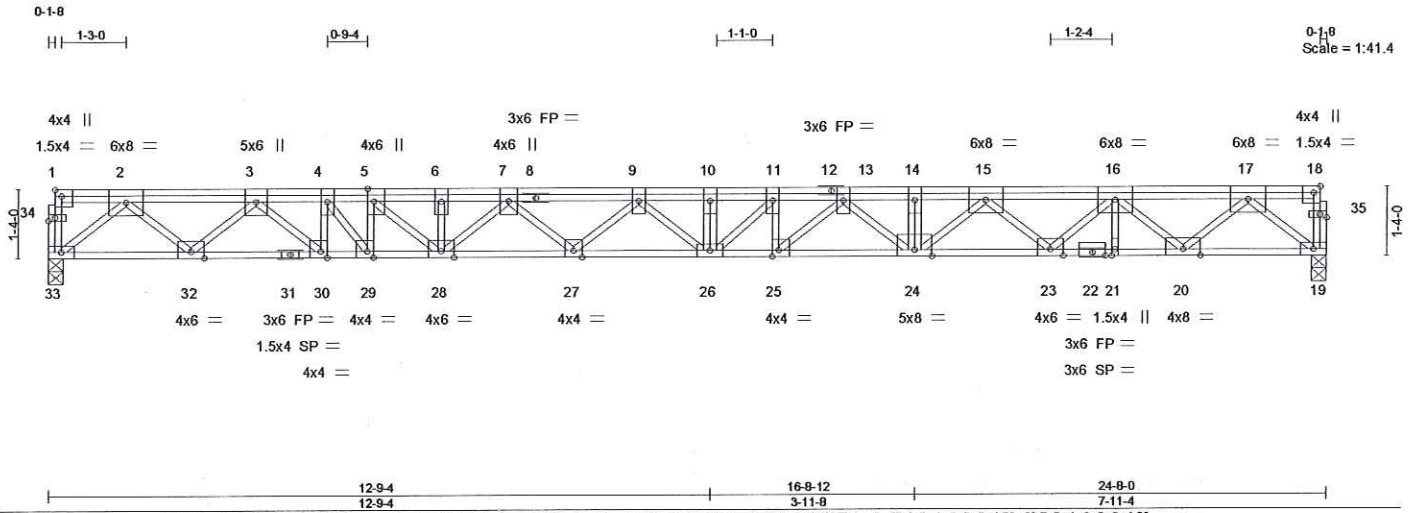


Plate Offsets (X,Y)-	[1:Edge,0-1-8], [5:0-3-0,Edge], [18:0-1-8,Edge], [25:0-1-8,Edge], [29:0-1-8,Edge], [30:0-1-8,Edge], [34:0-1-8,0-0-12], [35:0-1-8,0-0-12]				
LOADING (psf)	SPACING- 1-0-0	CSI.	DEFL. in (loc) l/defl L/d	PLATES	GRIP
TCLL 40.0	Plate Grip DOL 1.00	TC 0.23	Vert(LL) -0.52 26 >558 360	MT20	244/190
TCDL 10.0	Lumber DOL 1.00	BC 0.80	Vert(TL) -0.82 26 >357 240		
BCLL 0.0	Rep Stress Incr NO	WB 0.80	Horz(TL) 0.15 19 n/a n/a		
BCDL 5.0	Code IRC2012/TPI2007	(Matrix)		Weight: 171 lb	FT = 20%F, 11%E

LUMBER-	BRACING-
TOP CHORD 2x4 SP 2400F 2.0E(flat)	TOP CHORD Structural wood sheathing directly applied or 6-0-0 oc purlins, except end verticals.
BOT CHORD 2x4 SP 2400F 2.0E(flat)	BOT CHORD Rigid ceiling directly applied or 10-0-0 oc bracing.
WEBS 2x4 SP No.3(flat)	

REACTIONS. (size) 33=0-3-8, 19=0-3-8
 Max Grav 33=1049(LC 1), 19=1269(LC 1)

FORCES. (lb) - Max. Comp./Max. Ten. - All forces 250 (lb) or less except when shown.
 TOP CHORD 2-3=-2211/0, 3-4=-4087/0, 4-5=-4651/0, 5-6=-5493/0, 6-7=-5493/0, 7-9=-6714/0, 9-10=-7728/0, 10-11=-7728/0, 11-13=-7617/0, 13-14=-7166/0, 14-15=-7166/0, 15-16=-5056/0, 16-17=-2714/0
 BOT CHORD 32-33=0/1219, 30-32=0/3188, 29-30=0/4087, 28-29=0/4651, 27-28=0/6165, 26-27=0/7248, 25-26=0/7617, 24-25=0/7403, 23-24=0/6104, 21-23=0/3988, 20-21=0/3988, 19-20=0/1479
 WEBS 2-33=-1585/0, 2-32=0/1346, 3-32=-1325/0, 3-30=0/1194, 4-30=-774/0, 9-26=0/625, 9-27=-724/0, 7-27=0/744, 7-28=-893/0, 5-28=0/1095, 5-29=-721/0, 13-24=-308/0, 13-25=0/285, 17-19=-1924/0, 17-20=0/1675, 16-20=-1691/0, 15-24=0/1383, 15-23=-1421/0, 16-23=0/1450, 4-29=0/916

- NOTES-**
- All plates are 3x6 MT20 unless otherwise indicated.
 - The Fabrication Tolerance at joint 31 = 11%, joint 22 = 11%
 - "Semi-rigid pitchbreaks including heels" Member end fixity model was used in the analysis and design of this truss.
 - Required 2x6 strongbacks, on edge, spaced at 10-0-0 oc and fastened to each truss with 3-10d (0.131" X 3") nails. Strongbacks to be attached to walls at their outer ends or restrained by other means.
 - CAUTION, Do not erect truss backwards.

LOAD CASE(S) Standard
 1) Dead + Floor Live (balanced): Lumber Increase=1.00, Plate Increase=1.00
 Uniform Loads (plf)
 Vert: 19-33=-5, 1-18=-50
 Concentrated Loads (lb)
 Vert: 26=-412 24=-570



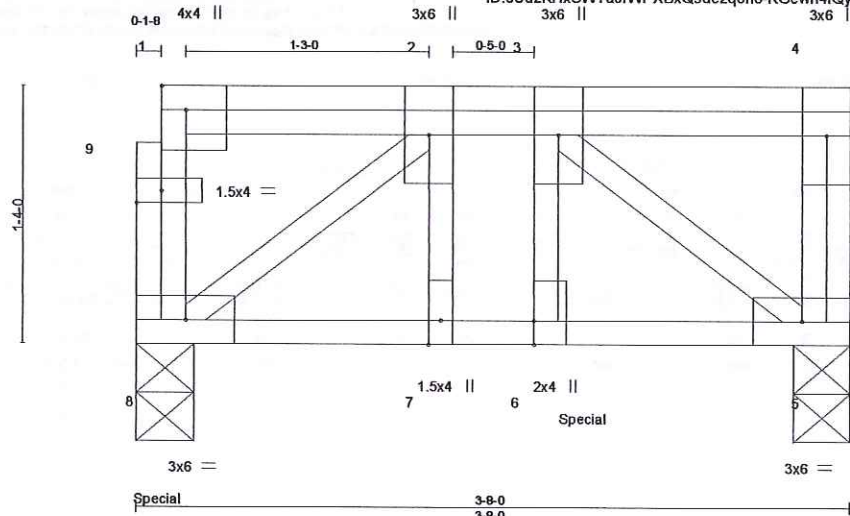
March 20,2020

Job 25003	Truss FG02	Truss Type ROOF TRUSS	Qty 1	Ply 1	J.Lee/Smith	I40703169
--------------	---------------	--------------------------	----------	----------	-------------	-----------

C&R Building Supply, Autryville NC

7.640 s Aug 16 2017 Mitek Industries, Inc. Fri Mar 20 11:56:57 2020 Page 1

ID:sUu2KHxSWTajrWPXBxQ9dezqon6-KGewn4fQyReBkCOX2Mp_ixVOJaaufIL08gs28Qz2Ua



Scale = 1:11.0

Plate Offsets (X,Y) - [1:Edge,0-1-8], [6:0-1-8,Edge], [9:0-1-8,0-0-12]

LOADING (psf)	SPACING-	2-0-0	CSI.	DEFL.	in (loc)	l/defl	L/d	PLATES	GRIP	
TCLL 40.0	Plate Grip DOL	1.00	TC 0.16	Vert(LL)	-0.01	6	>999	360	MT20	244/190
TCDL 10.0	Lumber DOL	1.00	BC 0.29	Vert(TL)	-0.01	5-6	>999	240		
BCLL 0.0	Rep Stress Incr	NO	WB 0.29	Horz(TL)	0.00	5	n/a	n/a		
BCDL 5.0	Code IRC2012/TP12007		(Matrix)							
									Weight 29 lb	FT = 20%F, 11%E

LUMBER-
 TOP CHORD 2x4 SP No.2(flat)
 BOT CHORD 2x4 SP No.2(flat)
 WEBS 2x4 SP No.3(flat)

BRACING-
 TOP CHORD Structural wood sheathing directly applied or 3-8-0 oc purlins, except end verticals.
 BOT CHORD Rigid ceiling directly applied or 10-0-0 oc bracing.

REACTIONS. (size) 8=0-3-8, 5=0-3-8
 Max Grav 8=1134(LC 1), 5=576(LC 1)

FORCES. (lb) - Max. Comp./Max. Ten. - All forces 250 (lb) or less except when shown.
 TOP CHORD 2-3=-552/0
 BOT CHORD 7-8=0/552, 6-7=0/552, 5-6=0/552
 WEBS 2-8=-704/0, 3-5=-705/0, 3-6=0/619

- NOTES-**
- Unbalanced floor live loads have been considered for this design.
 - "Semi-rigid pitchbreaks including heels" Member end fixity model was used in the analysis and design of this truss.
 - Recommend 2x6 strongbacks, on edge, spaced at 10-0-0 oc and fastened to each truss with 3-10d (0.131" X 3") nails. Strongbacks to be attached to walls at their outer ends or restrained by other means.
 - CAUTION, Do not erect truss backwards.
 - Hanger(s) or other connection device(s) shall be provided sufficient to support concentrated load(s) 671 lb down at 0-1-8, and 671 lb down at 2-3-12 on bottom chord. The design/selection of such connection device(s) is the responsibility of others.
 - In the LOAD CASE(S) section, loads applied to the face of the truss are noted as front (F) or back (B).

LOAD CASE(S) Standard
 1) Dead + Floor Live (balanced): Lumber Increase=1.00, Plate Increase=1.00
 Uniform Loads (plf)
 Vert: 5-8=-10, 1-4=-100
 Concentrated Loads (lb)
 Vert: 8=-671(F) 6=-671(F)



March 20, 2020

Design valid for use only with Mitek® connectors. This design is based only upon parameters shown, and is for an individual building component, not a truss system. Before use, the building designer must verify the applicability of design parameters and properly incorporate this design into the overall building design. Bracing indicated is to prevent buckling of individual truss web and/or chord members only. Additional temporary and permanent bracing is always required for stability and to prevent collapse with possible personal injury and property damage. For general guidance regarding the fabrication, storage, delivery, erection and bracing of trusses and truss systems, see ANSI/TP1 Quality Criteria, DSB-89 and BCSI Building Component Safety Information available from Truss Plate Institute, 218 N. Lee Street, Suite 312, Alexandria, VA 22314.

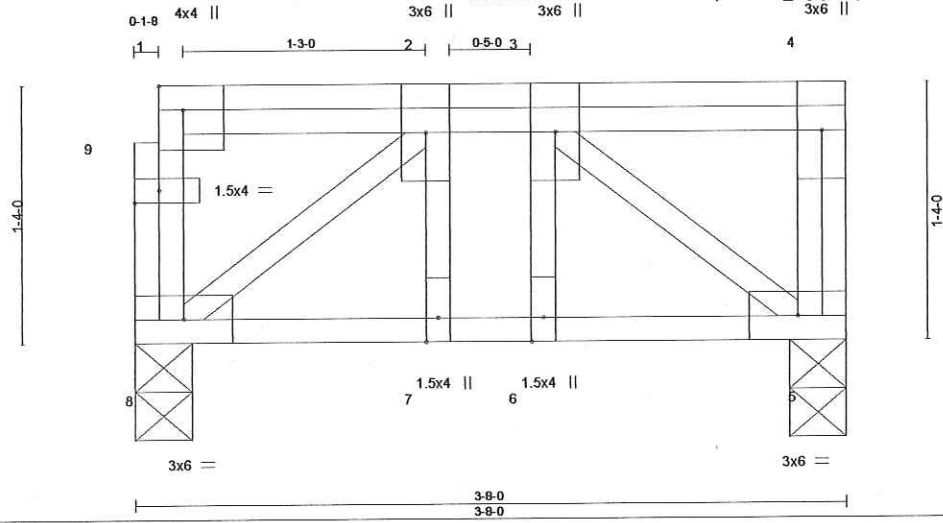
ENGINEERED BY
TRENCO
 818 Soundside Road
 Edenton, NC 27932

Job	Truss	Truss Type	Qty	Ply	J.Lee/Smith	140703170
25003	FG02A	ROOF TRUSS	1	1	Job Reference (optional)	

C&R Building Supply, Autryville NC

7.640 s Aug 16 2017 MITek Industries, Inc. Fri Mar 20 11:56:58 2020 Page 1

ID:sUu2KHxSWTajrWPXBxQ9dezqon6-oSCL_Qg2jkm2yMzkc3KDF91aG_yhOnOANKcbgszZ2UZ



Scale = 1:11.0

Plate Offsets (X,Y)-	[1:Edge,0-1-8], [9:0-1-8,0-0-12]				
LOADING (psf)	SPACING- 2-0-0	CSI.	DEFL. in (loc) l/defl L/d	PLATES	GRIP
TCLL 40.0	Plate Grip DOL 1.00	TC 0.11	Vert(LL) -0.00 6 >999 360	MT20	244/190
TCDL 10.0	Lumber DOL 1.00	BC 0.19	Vert(TL) -0.01 5-6 >999 240		
BCLL 0.0	Rep Stress Incr NO	WB 0.18	Horz(TL) 0.00 5 n/a n/a		
BCDL 5.0	Code IRC2012/TPI2007	(Matrix)		Weight: 29 lb	FT = 20%F, 11%E

- LUMBER-**
TOP CHORD 2x4 SP No.2(flat)
BOT CHORD 2x4 SP No.2(flat)
WEBS 2x4 SP No.3(flat)
- BRACING-**
TOP CHORD Structural wood sheathing directly applied or 3-8-0 oc purlins, except end verticals.
BOT CHORD Rigid ceiling directly applied or 10-0-0 oc bracing.
- REACTIONS.** (size) 8=0-3-8, 5=0-3-8
Max Grav 8=748(LC 1), 5=419(LC 1)
- FORCES.** (lb) - Max. Comp./Max. Ten. - All forces 250 (lb) or less except when shown.
TOP CHORD 2-3=-387/0
BOT CHORD 7-8=0/387, 6-7=0/387, 5-6=0/387
WEBS 2-8=-493/0, 3-5=-495/0, 3-6=0/376

- NOTES-**
- 1) Unbalanced floor live loads have been considered for this design.
 - 2) "Semi-rigid pitchbreaks including heels" Member end fixity model was used in the analysis and design of this truss.
 - 3) Recommend 2x6 strongbacks, on edge, spaced at 10-0-0 oc and fastened to each truss with 3-10d (0.131" X 3") nails. Strongbacks to be attached to walls at their outer ends or restrained by other means.
 - 4) CAUTION, Do not erect truss backwards.

- LOAD CASE(S)** Standard
- 1) Dead + Floor Live (balanced): Lumber Increase=1.00, Plate Increase=1.00
Uniform Loads (plf)
Vert: 5-8=-10, 1-4=-100
Concentrated Loads (lb)
Vert: 8=-399 6=-399



March 20, 2020

Job	Truss	Truss Type	Qty	Ply	J.Lee/Smith	140703171
25003	GE01	GABLE	1	1		

C&R Building Supply, Autryville NC

7.640 s Aug 16 2017 MITek Industries, Inc. Fri Mar 20 11:57:00 2020 Page 1

ID:sUu2KHxSWTajrWPXBxQ9dezqon6-krk3P6hJFM0mBg76jUNhKa7vSnfcsizTre5iklz2UX



Scale = 1:67.9

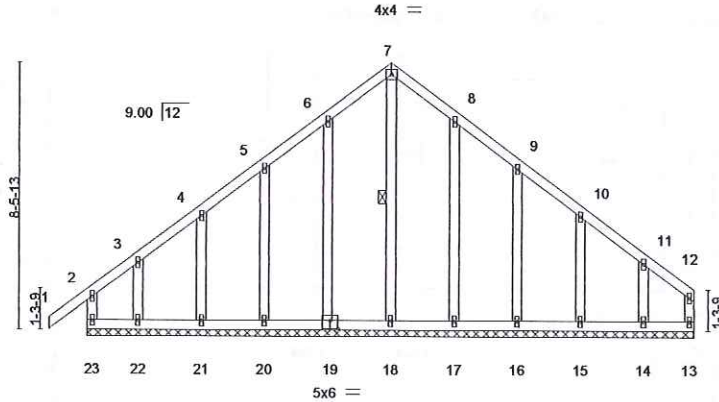


Plate Offsets (X,Y) - [2:0-0-0,0-0-0], [19:0-3-0,0-3-0]

LOADING (psf)	SPACING-	2-0-0	CSI.	DEFL.	in (loc)	l/defl	L/d	PLATES	GRIP
TCLL 20.0	Plate Grip DOL	1.15	TC 0.13	Vert(LL)	0.00	1	n/r	MT20	244/190
TCDL 10.0	Lumber DOL	1.15	BC 0.03	Vert(TL)	-0.01	1	n/r		
BCLL 0.0 *	Rep Stress Incr	NO	WB 0.11	Horz(TL)	-0.00	13	n/a		
BCDL 10.0	Code IRC2012/TPI2007		(Matrix)						
								Weight: 131 lb	FT = 20%

LUMBER-
 TOP CHORD 2x4 SP 2400F 2.0E
 BOT CHORD 2x4 SP 2400F 2.0E
 WEBS 2x4 SP No.3
 OTHERS 2x4 SP No.3

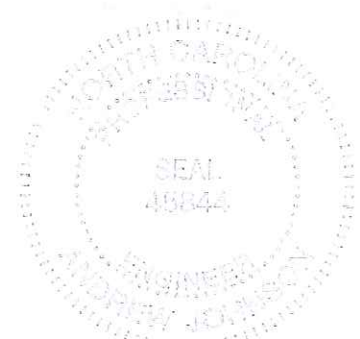
BRACING-
 TOP CHORD Structural wood sheathing directly applied or 6-0-0 oc purlins, except end verticals.
 BOT CHORD Rigid ceiling directly applied or 6-0-0 oc bracing.
 WEBS 1 Row at midpt 7-18

REACTIONS. All bearings 19-2-0.
 (lb) - Max Horz 23=132(LC 7)
 Max Uplift All uplift 100 lb or less at joint(s) 23, 13, 19, 20, 21, 22, 17, 16, 15, 14
 Max Grav All reactions 250 lb or less at joint(s) 23, 13, 18, 19, 20, 21, 22, 17, 16, 15, 14

FORCES. (lb) - Max. Comp./Max. Ten. - All forces 250 (lb) or less except when shown.

NOTES-

- Unbalanced roof live loads have been considered for this design.
- Wind: ASCE 7-10; Vult=120mph (3-second gust) V(IRC2012)=95mph; TCDL=6.0psf; BCDL=6.0psf; h=20ft; B=45ft; L=24ft; eave=2ft; Cat. II; Exp B; enclosed; MWFRS (directional); Lumber DOL=1.60 plate grip DOL=1.60
- Truss designed for wind loads in the plane of the truss only. For studs exposed to wind (normal to the face), see Standard Industry Gable End Details as applicable, or consult qualified building designer as per ANSI/TPI 1.
- All plates are 1.5x4 MT20 unless otherwise indicated.
- Gable requires continuous bottom chord bearing.
- Truss to be fully sheathed on one face or securely braced against lateral movement (i.e. diagonal web).
- Gable studs spaced at 2-0-0 oc.
- This truss has been designed for a 10.0 psf bottom chord live load nonconcurrent with any other live loads.
- * This truss has been designed for a live load of 20.0psf on the bottom chord in all areas with a clearance greater than 6-0-0 between the bottom chord and any other members, with BCDL = 10.0psf.
- N/A
- "Semi-rigid pitchbreaks including heels" Member end fixity model was used in the analysis and design of this truss.



March 20, 2020

Design valid for use only with MITek® connectors. This design is based only upon parameters shown, and is for an individual building component, not a truss system. Before use, the building designer must verify the applicability of design parameters and properly incorporate this design into the overall building design. Bracing indicated is to prevent buckling of individual truss web and/or chord members only. Additional temporary and permanent bracing is always required for stability and to prevent collapse with possible personal injury and property damage. For general guidance regarding the fabrication, storage, delivery, erection and bracing of trusses and truss systems, see ANSI/TPI Quality Criteria, DSB-89 and BCSI Building Component Safety Information available from Truss Plate Institute, 218 N. Lee Street, Suite 312, Alexandria, VA 22314.



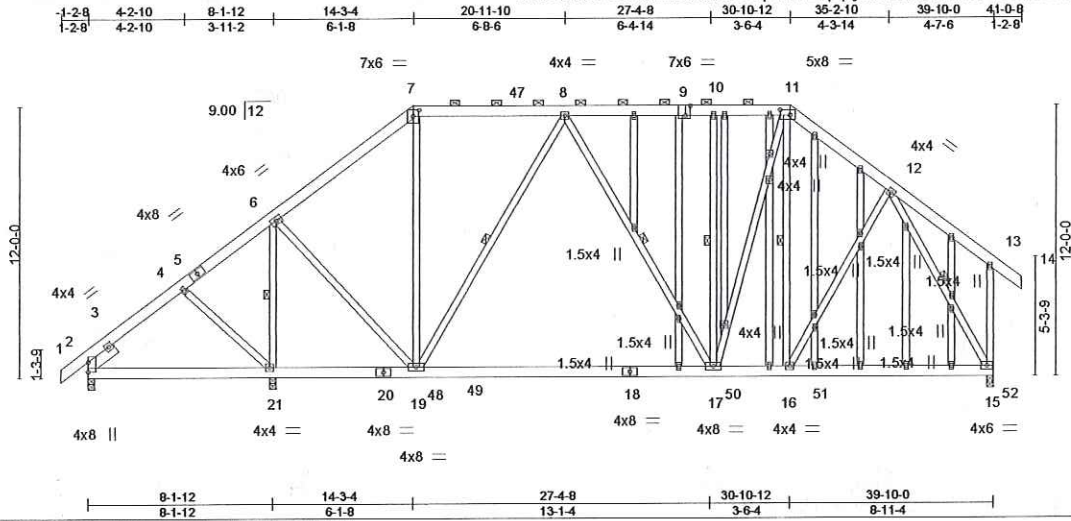
818 Soundside Road
 Edenton, NC 27832

Job 25003	Truss GE02	Truss Type GABLE	Qty 1	Ply 1	J.Lee/Smith	I40703172
--------------	---------------	---------------------	----------	----------	-------------	-----------

C&R Building Supply, Atrypville NC

7.640 s Aug 16 2017 MiTek Industries, Inc. Fri Mar 20 11:57:02 2020 Page 1

ID:sUu2KHxSWTajrWPXBxQ9deZqon6-hERpqqjZnzHURzHVrvP9P?C9nbB6KTQmlyappezZ2UV



Scale = 1:94.4

Plate Offsets (X,Y) -	[7:0-3-0,0-3-4], [9:0-2-8,0-5-4], [11:0-5-4,0-2-12]				
LOADING (psf)	SPACING- 2-0-0	CSI.	DEFL. in (loc) l/defl L/d	PLATES	GRIP
TCLL 20.0	Plate Grip DOL 1.15	TC 0.52	Vert(LL) -0.29 17-19 >999 360	MT20	244/190
TCDL 10.0	Lumber DOL 1.15	BC 0.67	Vert(TL) -0.53 17-19 >708 240		
BCLL 0.0 *	Rep Stress Incr NO	WB 0.62	Horz(TL) 0.03 15 n/a n/a		
BCDL 10.0	Code IRC2012/TPI2007	(Matrix-S)	Wind(LL) 0.02 17-19 >999 240		
				Weight: 481 lb	FT = 20%

LUMBER-	BRACING-
TOP CHORD 2x6 SP No.1	TOP CHORD Structural wood sheathing directly applied, except end verticals, and 2-0-0 oc purlins (6-0-0 max.): 7-11.
BOT CHORD 2x6 SP No.1	BOT CHORD Rigid ceiling directly applied.
WEBS 2x4 SP No.3	WEBS 1 Row at midpt 6-21, 8-19, 8-17, 10-17, 11-16, 12-15
OTHERS 2x4 SP No.3	
SLIDER Left 2x6 SP No.1 1-6-0	

REACTIONS. (size) 2=0-3-8, 21=0-3-8, 15=0-3-8
 Max Horz 2=-168(LC 6)
 Max Uplift 21=-1(LC 8)
 Max Grav 2=492(LC 1), 21=1787(LC 13), 15=1688(LC 14)

FORCES. (lb) - Max. Comp./Max. Ten. - All forces 250 (lb) or less except when shown.
 TOP CHORD 2-4=-385/0, 4-6=-266/17, 6-7=-1091/67, 7-8=-807/85, 8-10=-1120/82, 10-11=-1120/82, 11-12=-1235/88
 BOT CHORD 2-21=-28/351, 17-19=0/1090, 16-17=0/923, 15-16=0/701
 WEBS 6-21=-1510/23, 6-19=0/966, 7-19=0/359, 8-19=-549/37, 10-17=-295/49, 11-17=0/711, 12-16=0/465, 12-15=-1421/0

- NOTES-**
- Unbalanced roof live loads have been considered for this design.
 - Wind: ASCE 7-10; Vult=120mph (3-second gust) V(IRC2012)=95mph; TCDL=6.0psf, BCDL=6.0psf; h=20ft; B=45ft; L=24ft; eave=5ft; Cat. II; Exp B; enclosed; MWFRS (directional); Lumber DOL=1.60 plate grip DOL=1.60
 - Truss designed for wind loads in the plane of the truss only. For studs exposed to wind (normal to the face), see Standard Industry Gable End Details as applicable, or consult qualified building designer as per ANSI/TPI 1.
 - Provide adequate drainage to prevent water ponding.
 - All plates are 2x4 MT20 unless otherwise indicated.
 - Gable studs spaced at 2-0-0 oc.
 - This truss has been designed for a 10.0 psf bottom chord live load nonconcurrent with any other live loads.
 - * This truss has been designed for a live load of 20.0psf on the bottom chord in all areas with a clearance greater than 6-0-0 between the bottom chord and any other members, with BCDL = 10.0psf.
 - One H2.5 Simpson Strong-Tie connectors recommended to connect truss to bearing walls due to UPLIFT at jt(s) 21. This connection is for uplift only and does not consider lateral forces.
 - This truss design requires that a minimum of 7/16" structural wood sheathing be applied directly to the top chord and 1/2" gypsum sheetrock be applied directly to the bottom chord.
 - Graphical purlin representation does not depict the size or the orientation of the purlin along the top and/or bottom chord.



March 20, 2020

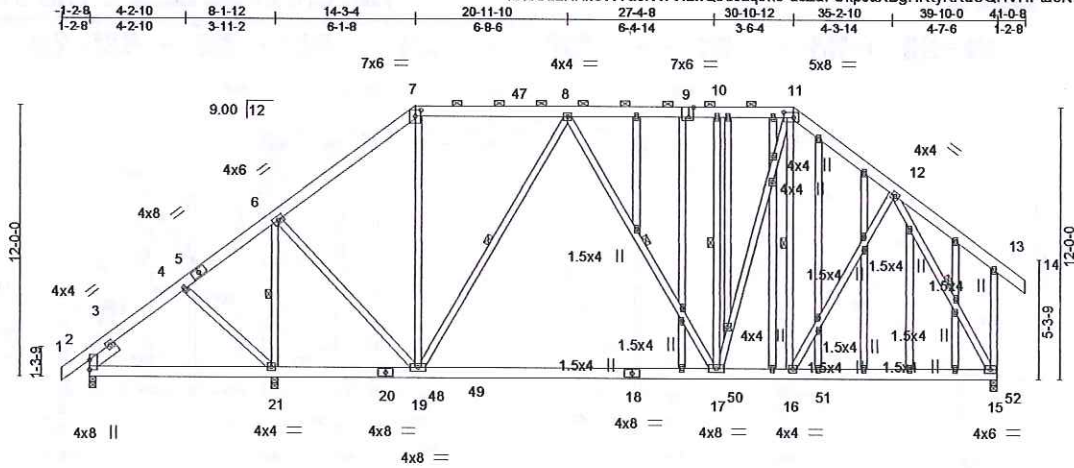
<p>Design valid for use only with MiTek® connectors. This design is based only upon parameters shown, and is for an individual building component, not a truss system. Before use, the building designer must verify the applicability of design parameters and properly incorporate this design into the overall building design. Bracing indicated is to prevent buckling of individual truss web and/or chord members only. Additional temporary and permanent bracing is always required for stability and to prevent collapse with possible personal injury and property damage. For general guidance regarding the fabrication, storage, delivery, erection and bracing of trusses and truss systems, see ANSITPI Quality Criteria, DSB-89 and BCSI Building Component Safety Information available from Truss Plate Institute, 218 N. Lee Street, Suite 312, Alexandria, VA 22314.</p>	<p>ENGINEERED BY TRENCO 818 Soundside Road Edenton, NC 27932</p>
---	--

Job 25003	Truss GE02A	Truss Type GABLE	Qty 1	Ply 1	J.Lee/Smith	140703173
--------------	----------------	---------------------	----------	----------	-------------	-----------

C&R Building Supply, Autryville NC

7.640 s Aug 16 2017 MITek Industries, Inc. Fri Mar 20 11:57:04 2020 Page 1

ID:sUu2KHxSWTaJrWpXBxQ9deZqon6-dcZaFUkpJaXBgHRtyKRdUQHvHPtaoNw2IG3wuWzZ2UT



Scale = 1:94.4

Plate Offsets (X,Y)-	[7:0-3-0,0-3-4], [9:0-2-8,0-5-4], [11:0-5-4,0-2-12]
----------------------	---

LOADING (psf)	SPACING-	CSI.	DEFL.	PLATES	GRIP
TCLL 20.0	2-0-0	TC 0.52	in (loc) l/defl L/d	MT20	244/190
TCDL 10.0	Plate Grip DOL 1.15	BC 0.67	Vert(LL) -0.29 17-19 >999 360		
BCLL 0.0	Lumber DOL 1.15	WB 0.62	Vert(TL) -0.53 17-19 >708 240		
BCDL 10.0	Rep Stress Incr NO	(Matrix-S)	Horz(TL) 0.03 15 n/a n/a		
	Code IRC2012/TP12007		Wind(LL) 0.02 17-19 >999 240		
				Weight: 481 lb	FT = 20%

LUMBER-
 TOP CHORD 2x6 SP No.1
 BOT CHORD 2x6 SP No.1
 WEBS 2x4 SP No.3
 OTHERS 2x4 SP No.3
 SLIDER Left 2x6 SP No.1 1-6-0

BRACING-
 TOP CHORD Structural wood sheathing directly applied, except end verticals, and 2-0-0 oc purlins (6-0-0 max.): 7-11.
 BOT CHORD Rigid ceiling directly applied.
 WEBS 1 Row at midpt 6-21, 8-19, 8-17, 10-17, 11-16, 12-15

REACTIONS. (size) 2=0-3-8, 21=0-3-8, 15=0-3-8
 Max Horz 2=-168(LC 6)
 Max Uplift 21=-1(LC 8)
 Max Grav 2=492(LC 1), 21=1787(LC 13), 15=1688(LC 14)

FORCES. (lb) - Max. Comp./Max. Ten. - All forces 250 (lb) or less except when shown.
 TOP CHORD 2-4=-385/0, 4-6=-266/17, 6-7=-1091/67, 7-8=-807/85, 8-10=-1120/82, 10-11=-1120/82, 11-12=-1235/88
 BOT CHORD 2-21=-28/351, 17-19=0/1090, 16-17=0/923, 15-16=0/701
 WEBS 6-21=-1510/23, 6-19=0/966, 7-19=0/359, 8-19=-549/37, 10-17=-295/49, 11-17=0/711, 12-16=0/465, 12-15=-1421/0

- NOTES-**
- 1) Unbalanced roof live loads have been considered for this design.
 - 2) Wind: ASCE 7-10; Vult=120mph (3-second gust) V(IRC2012)=95mph; TCDL=6.0psf; BCDL=6.0psf; h=20ft; B=45ft; L=24ft; eave=5ft; Cat II; Exp B; enclosed; MWFRS (directional); Lumber DOL=1.60 plate grip DOL=1.60
 - 3) Truss designed for wind loads in the plane of the truss only. For studs exposed to wind (normal to the face), see Standard Industry Gable End Details as applicable, or consult qualified building designer as per ANSI/TPI 1.
 - 4) Provide adequate drainage to prevent water ponding.
 - 5) All plates are 2x4 MT20 unless otherwise indicated.
 - 6) Gable studs spaced at 2-0-0 oc.
 - 7) This truss has been designed for a 10.0 psf bottom chord live load nonconcurrent with any other live loads.
 - 8) * This truss has been designed for a live load of 20.0psf on the bottom chord in all areas with a clearance greater than 6-0-0 between the bottom chord and any other members, with BCDL = 10.0psf.
 - 9) One H2.5 Simpson Strong-Tie connectors recommended to connect truss to bearing walls due to UPLIFT at jt(s) 21. This connection is for uplift only and does not consider lateral forces.
 - 10) This truss design requires that a minimum of 7/16" structural wood sheathing be applied directly to the top chord and 1/2" gypsum sheetrock be applied directly to the bottom chord.
 - 11) Graphical purlin representation does not depict the size or the orientation of the purlin along the top and/or bottom chord.



March 20, 2020

Design valid for use only with MITek® connectors. This design is based only upon parameters shown, and is for an individual building component, not a truss system. Before use, the building designer must verify the applicability of design parameters and properly incorporate this design into the overall building design. Bracing indicated is to prevent buckling of individual truss web and/or chord members only. Additional temporary and permanent bracing is always required for stability and to prevent collapse with possible personal injury and property damage. For general guidance regarding the fabrication, storage, delivery, erection and bracing of trusses and truss systems, see ANS/TPII Quality Criteria, DSB-89 and BCSI Building Component Safety Information available from Truss Plate Institute, 218 N. Lee Street, Suite 312, Alexandria, VA 22314.

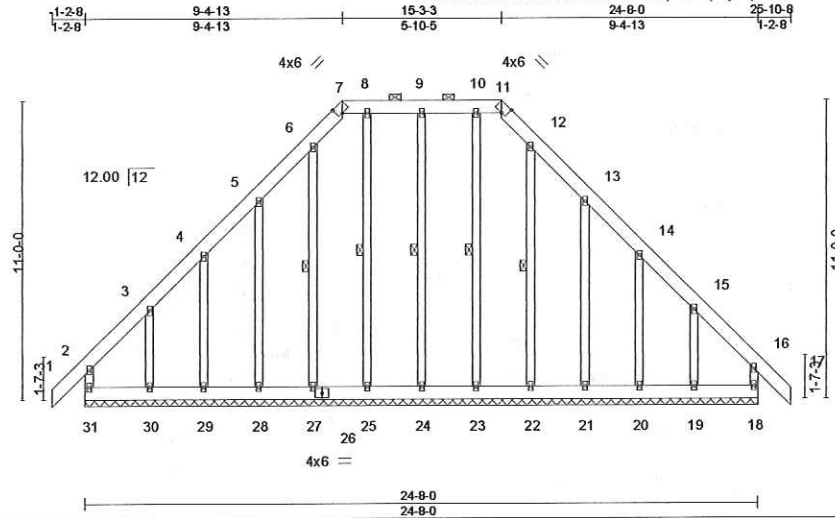
DESIGNED BY
TRENCO
 818 Soundside Road
 Edenton, NC 27932

Job 25003	Truss GE03	Truss Type GABLE	Qty 1	Ply 1	J.Lee/Smith	140703174
--------------	---------------	---------------------	----------	----------	-------------	-----------

C&R Building Supply, Autryville NC

7.640 s Aug 16 2017 MITek Industries, Inc. Fri Mar 20 11:57:05 2020 Page 1

ID:sUu2KHxSWTaJrWPXBxQ9deZqon6-5p7ySqr4uf2IR?4W2ys1dqmEoNdXxuC_woTQyzZ2US



Scale = 1:78.7

Plate Offsets (X,Y)- [7'-0-2-2, Edge], [11'-0-2-2, Edge]

LOADING (psf)	SPACING-	CSI.	DEFL.	in (loc)	l/defl	L/d	PLATES	GRIP
TCLL 20.0	2-0-0	TC 0.19	Vert(LL) -0.00	17	n/r	120	MT20	244/190
TCDL 10.0	Plate Grip DOL 1.15	BC 0.04	Vert(TL) -0.00	17	n/r	120		
BCLL 0.0 *	Lumber DOL 1.15	WB 0.13	Horz(TL) 0.00	18	n/a	n/a		
BCDL 10.0	Rep Stress Incr NO	(Matrix)						
	Code IRC2012/TPI2007						Weight: 262 lb	FT = 20%

LUMBER-

TOP CHORD 2x6 SP No.1
 BOT CHORD 2x6 SP No.1
 WEBS 2x4 SP No.3
 OTHERS 2x4 SP No.3

BRACING-

TOP CHORD Structural wood sheathing directly applied or 6-0-0 oc purlins, except end verticals, and 2-0-0 oc purlins (6-0-0 max.): 7-11.
 BOT CHORD Rigid ceiling directly applied or 10-0-0 oc bracing.
 WEBS 1 Row at midpt 9-24, 8-25, 6-27, 10-23, 12-22

REACTIONS.

All bearings 24-8-0.
 (lb) - Max Horz 31=-199(LC 6)
 Max Uplift All uplift 100 lb or less at joint(s) 31, 18, 24, 28, 29, 30, 21, 20, 19
 Max Grav All reactions 250 lb or less at joint(s) 18, 24, 25, 27, 28, 29, 30, 23, 22, 21, 20, 19 except 31=252(LC 14)

FORCES. (lb) - Max. Comp./Max. Ten. - All forces 250 (lb) or less except when shown.

NOTES-

- Unbalanced roof live loads have been considered for this design.
- Wind: ASCE 7-10; Vult=120mph (3-second gust) V(IRC2012)=95mph; TCCL=6.0psf; BCDL=6.0psf; h=20ft; B=45ft; L=24ft; eave=2ft; Cat. II; Exp B; enclosed; MWFRS (directional); Lumber DOL=1.60 plate grip DOL=1.60
- Truss designed for wind loads in the plane of the truss only. For studs exposed to wind (normal to the face), see Standard Industry Gable End Details as applicable, or consult qualified building designer as per ANSI/TPI 1.
- Provide adequate drainage to prevent water ponding.
- All plates are 2x4 MT20 unless otherwise indicated.
- Gable requires continuous bottom chord bearing.
- Truss to be fully sheathed from one face or securely braced against lateral movement (i.e. diagonal web).
- Gable studs spaced at 2-0-0 oc.
- This truss has been designed for a 10.0 psf bottom chord live load nonconcurrent with any other live loads.
- * This truss has been designed for a live load of 20.0psf on the bottom chord in all areas with a clearance greater than 6-0-0 between the bottom chord and any other members, with BCDL = 10.0psf.
- N/A
- "Semi-rigid pitchbreaks including heels" Member end fixity model was used in the analysis and design of this truss.
- Graphical purlin representation does not depict the size or the orientation of the purlin along the top and/or bottom chord.



March 20, 2020

Design valid for use only with MITek® connectors. This design is based only upon parameters shown, and is for an individual building component, not a truss system. Before use, the building designer must verify the applicability of design parameters and properly incorporate this design into the overall building design. Bracing indicated is to prevent buckling of individual truss web and/or chord members only. Additional temporary and permanent bracing is always required for stability and to prevent collapse with possible personal injury and property damage. For general guidance regarding the fabrication, storage, delivery, erection and bracing of trusses and truss systems, see ANSITPI1 Quality Criteria, DSB-89 and BCSI Building Component Safety Information available from Truss Plate Institute, 218 N. Lee Street, Suite 312, Alexandria, VA 22314.

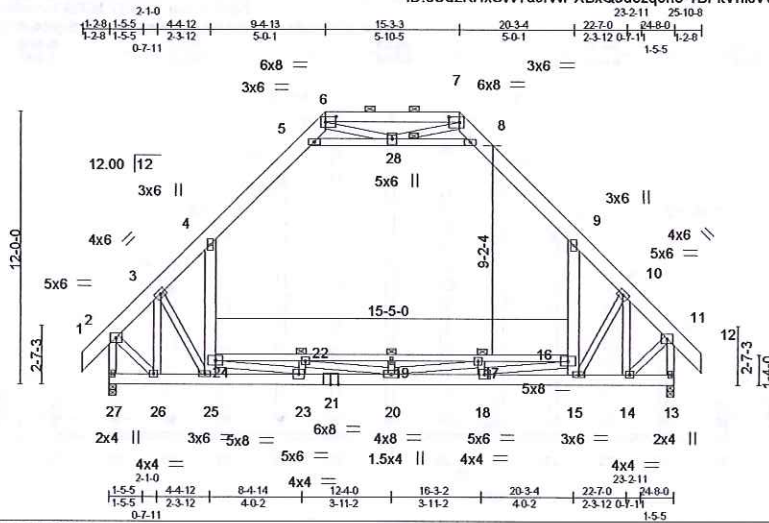
ENGINEERING BY TRENCO
 818 Soundside Road
 Edenton, NC 27932

Job 25003	Truss GE04	Truss Type GABLE	Qty 1	Ply 1	J.Lee/Smith	140703175
--------------	---------------	---------------------	----------	----------	-------------	-----------

C&R Building Supply, Autryville NC

7.640 s Aug 16 2017 MITek Industries, Inc. Fri Mar 20 11:57:07 2020 Page 1

ID:sUu2KHxSWTajrWPXBxQ9dezqon6-1BFiIVnicVvmXl9SeS7K62v2Hct?jcvSEHaUrzz2UQ



Scale = 1:94.0

Plate Offsets (X,Y)- [6:0-5-8,0-3-0], [7:0-5-8,0-3-0]

LOADING (psf)	SPACING-	2-0-0	CSI.	DEFL.	in (loc)	l/defl	L/d	PLATES	GRIP
TCLL 20.0	Plate Grip DOL	1.15	TC 0.41	Vert(LL)	-0.27	19	>999	MT20	197/144
TCDL 10.0	Lumber DOL	1.15	BC 0.71	Vert(TL)	-0.48	19	>603		
BCLL 0.0 *	Rep Stress Incr	NO	WB 0.69	Horz(TL)	0.03	13	n/a		
BCDL 10.0	Code IRC2012/TPI2007		(Matrix-S)	Wind(LL)	-0.06	23-25	>999		
								Weight 291 lb	FT = 20%

LUMBER-

TOP CHORD 2x8 SP 2400F 2.0E *Except*
6-7: 2x6 SP No.1
BOT CHORD 2x6 SP 2400F 2.0E *Except*
16-24: 2x4 SPF 2700F 2.0E
WEBS 2x4 SP No.3 *Except*
4-25,9-15: 2x6 SP No.1
5-8,2-27,11-13,23-24,20-22,17-20,16-18: 2x4 SP No.2

BRACING-

TOP CHORD Structural wood sheathing directly applied, except end verticals, and 2-0-0 oc purlins (6-0-0 max.): 6-7.
BOT CHORD Rigid ceiling directly applied. Except: 4-5-0 oc bracing: 16-24
JOINTS 1 Brace at Jt(s): 28

REACTIONS.

(size) 27=0-3-8, 13=0-3-8
Max Horz 27=275(LC 7)
Max Grav 27=1665(LC 14), 13=1665(LC 15)

FORCES.

(lb) - Max. Comp./Max. Ten. - All forces 250 (lb) or less except when shown.
TOP CHORD 2-3=-1064/27, 3-4=-1615/0, 4-5=-978/131, 5-6=-182/426, 7-8=-182/426, 8-9=-979/131,
9-10=-1616/0, 10-11=-1065/27, 6-7=-8/675, 2-27=-1591/0, 11-13=-1592/0
BOT CHORD 26-27=-252/288, 25-26=-24/935, 23-25=-106/1007, 20-23=0/2995, 18-20=0/2979,
15-18=0/812, 14-15=0/740, 22-24=-225/10, 19-22=-3178/0, 17-19=-3178/0,
16-17=-225/10
WEBS 24-25=-3/348, 4-24=0/1087, 15-16=-3/348, 9-16=0/1087, 5-28=-1578/128,
8-28=-1581/128, 6-28=-63/273, 7-28=-64/273, 19-20=-347/0, 22-23=-600/0,
17-18=-600/0, 23-24=0/2449, 20-22=0/984, 17-20=0/993, 16-18=0/2449, 3-26=-1054/0,
2-26=0/1026, 3-25=-114/338, 10-14=-1057/0, 10-15=-115/339, 11-14=0/1026

NOTES-

- Unbalanced roof live loads have been considered for this design.
- Wind: ASCE 7-10; Vult=140mph (3-second gust) V(IRC2012)=111 mph; TCDL=6.0psf; BCDL=6.0psf; h=20ft; B=45ft; L=25ft; eave=4ft; Cat. II; Exp B; enclosed; MWFRS (directional); Lumber DOL=1.60 plate grip DOL=1.60
- Truss designed for wind loads in the plane of the truss only. For studs exposed to wind (normal to the face), see Standard Industry Gable End Details as applicable, or consult qualified building designer as per ANSI/TPI 1.
- Provide adequate drainage to prevent water ponding.
- Gable studs spaced at 2-0-0 oc.
- This truss has been designed for a 10.0 psf bottom chord live load nonconcurrent with any other live loads.
- * This truss has been designed for a live load of 20.0psf on the bottom chord in all areas with a clearance greater than 6-0-0 between the bottom chord and any other members.
- Ceiling dead load (5.0 psf) on member(s): 4-5, 8-9, 5-28, 8-28
- Bottom chord live load (40.0 psf) and additional bottom chord dead load (0.0 psf) applied only to room: 22-24, 19-22, 17-19, 16-17
- This truss design requires that a minimum of 7/16" structural wood sheathing be applied directly to the top chord and 1/2" gypsum sheetrock be applied directly to the bottom chord.
- Graphical purlin representation does not depict the size or the orientation of the purlin along the top and/or bottom chord.
- Attic room checked for L/360 deflection.



March 20, 2020

Design valid for use only with MITek® connectors. This design is based only upon parameters shown, and is for an individual building component, not a truss system. Before use, the building designer must verify the applicability of design parameters and properly incorporate this design into the overall building design. Bracing indicated is to prevent buckling of individual truss web and/or chord members only. Additional temporary and permanent bracing is always required for stability and to prevent collapse with possible personal injury and property damage. For general guidance regarding the fabrication, storage, delivery, erection and bracing of trusses and truss systems, see ANSITPI Quality Criteria, DSB-89 and BCSI Building Component Safety Information available from Truss Plate Institute, 218 N. Lee Street, Suite 312, Alexandria, VA 22314.

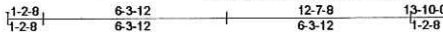
TRENCO
1818 Soundside Road
Edenton, NC 27932

Job 25003	Truss GE05	Truss Type GABLE	Qty 1	Ply 1	J.Lee/Smith Job Reference (optional)	140703176
--------------	---------------	---------------------	----------	----------	---	-----------

C&R Building Supply, Autryville NC

7.640 s Aug 16 2017 MITek Industries, Inc. Fri Mar 20 11:57:08 2020 Page 1

ID:sUu2KHxSWTajrWpXBxQ9deZqon6-VOp45rnKNp1d9ukfBAWZIGSFs0MSkJzegt171HzZ2UP



4x4 =

Scale = 1:73.6

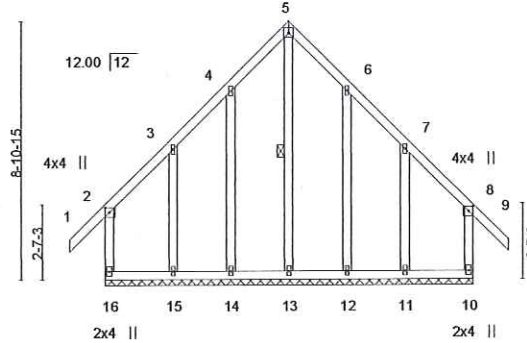


Plate Offsets (X,Y) - [2:0-2-0,0-1-12], [7:0-0-0,0-0-0], [8:0-2-0,0-1-12]

LOADING (psf)	SPACING-	2-0-0	CSI.	DEFL.	in (loc)	l/defl	L/d	PLATES	GRIP
TCLL 20.0	Plate Grip DOL	1.15	TC 0.29	Vert(LL)	-0.01	9	n/r	MT20	244/190
TCDL 10.0	Lumber DOL	1.15	BC 0.16	Vert(TL)	-0.01	9	n/r		
BCLL 0.0 *	Rep Stress Incr	NO	WB 0.11	Horz(TL)	0.00	10	n/a		
BCDL 10.0	Code IRC2012/TPI2007		(Matrix)					Weight: 102 lb	FT = 20%

LUMBER-

TOP CHORD	2x4 SP No.2
BOT CHORD	2x4 SP No.2
WEBS	2x4 SP No.3
OTHERS	2x4 SP No.3

BRACING-

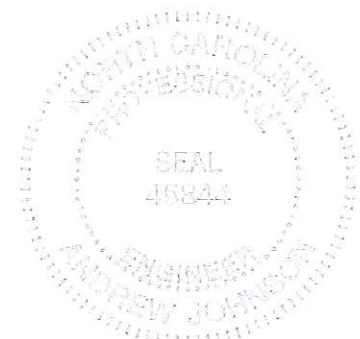
TOP CHORD	Structural wood sheathing directly applied or 6-0-0 oc purlins, except end verticals.
BOT CHORD	Rigid ceiling directly applied or 6-0-0 oc bracing.
WEBS	1 Row at midpt 5-13

REACTIONS. All bearings 12-7-8.
 (lb) - Max Horz 16=140(LC 7)
 Max Uplift All uplift 100 lb or less at joint(s) 16, 10, 14, 15, 12, 11
 Max Grav All reactions 250 lb or less at joint(s) 16, 10, 14, 12 except 13=287(LC 8), 15=290(LC 13), 11=289(LC 14)

FORCES. (lb) - Max. Comp./Max. Ten. - All forces 250 (lb) or less except when shown.
 WEBS 5-13=264/0

- NOTES-**
- Unbalanced roof live loads have been considered for this design.
 - Wind: ASCE 7-10; Vult=120mph (3-second gust) V(IRC2012)=95mph; TCCL=6.0psf; BCCL=6.0psf; h=20ft; B=45ft; L=24ft; eave=2ft; Cat. II; Exp B; enclosed; MWFRS (directional); Lumber DOL=1.60 plate grip DOL=1.60
 - Truss designed for wind loads in the plane of the truss only. For studs exposed to wind (normal to the face), see Standard Industry Gable End Details as applicable, or consult qualified building designer as per ANSI/TPI 1.
 - All plates are 1.5x4 MT20 unless otherwise indicated.
 - Gable requires continuous bottom chord bearing.
 - Truss to be fully sheathed from one face or securely braced against lateral movement (i.e. diagonal web).
 - Gable studs spaced at 2-0-0 oc.
 - This truss has been designed for a 10.0 psf bottom chord live load nonconcurrent with any other live loads.
 - * This truss has been designed for a live load of 20.0psf on the bottom chord in all areas with a clearance greater than 6-0-0 between the bottom chord and any other members, with BCCL = 10.0psf.
 - N/A

11) "Semi-rigid pitchbreaks including heels" Member end fixity model was used in the analysis and design of this truss.



March 20, 2020

<p>Design valid for use only with MITek® connectors. This design is based only upon parameters shown, and is for an individual building component, not a truss system. Before use, the building designer must verify the applicability of design parameters and properly incorporate this design into the overall building design. Bracing indicated is to prevent buckling of individual truss web and/or chord members only. Additional temporary and permanent bracing is always required for stability and to prevent collapse with possible personal injury and property damage. For general guidance regarding the fabrication, storage, delivery, erection and bracing of trusses and truss systems, see ANSITPI Quality Criteria, DSB-89 and BCSI Building Component Safety Information available from Truss Plate Institute, 218 N. Lee Street, Suite 312, Alexandria, VA 22314.</p>	<p>ENGINEERED BY TRENCO <small>A BCSI COMPANY</small></p> <p>818 Soundside Road Edenton, NC 27932</p>
---	--

Job 25003	Truss J01	Truss Type JACK	Qty 4	Ply 1	J.Lee/Smith	140703177
--------------	--------------	--------------------	----------	----------	-------------	-----------

C&R Building Supply, Autryville NC

7.640 s Aug 16 2017 MITek Industries, Inc. Fri Mar 20 11:57:08 2020 Page 1

ID:sUu2KHxSWTaJrWXPxBxC9dezqon6-VOp45rnKNp1d9ukdBAWZIGSiz0OdkKtegt171HzZ2UP

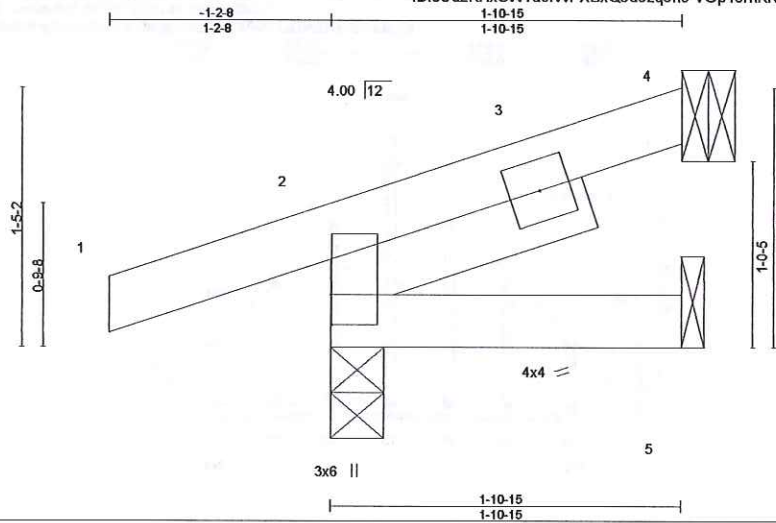


Plate Offsets (X,Y) - [2:0-2-0,0-0-1]

LOADING (psf)	SPACING-	CSI.	DEFL.	in (loc)	l/defl	L/d	PLATES	GRIP
TCLL 20.0	2-0-0	TC 0.10	Vert(LL)	-0.00	8	>999	MT20	244/190
TCDL 10.0	Plate Grip DOL 1.15	BC 0.02	Vert(TL)	-0.00	8	>999		
BCLL 0.0 *	Lumber DOL 1.15	WB 0.00	Horz(TL)	0.00	2	n/a		
BCDL 10.0	Rep Stress Incr YES	(Matrix-M)	Wind(LL)	0.00	8	>999	Weight: 10 lb	FT = 20%
	Code IRC2012/TP12007							

LUMBER-
TOP CHORD 2x4 SP No.2
BOT CHORD 2x4 SP No.2
SLIDER Left 2x4 SP No.3 1-6-0

BRACING-
TOP CHORD Structural wood sheathing directly applied or 1-10-15 oc purlins.
BOT CHORD Rigid ceiling directly applied or 10-0-0 oc bracing.

REACTIONS. (size) 4=Mechanical, 2=0-3-8, 5=Mechanical
Max Horz 2=28(LC 8)
Max Uplift 4=-6(LC 8), 2=-25(LC 8)
Max Grav 4=36(LC 1), 2=171(LC 1), 5=30(LC 3)

FORCES. (lb) - Max. Comp./Max. Ten. - All forces 250 (lb) or less except when shown.

NOTES-

- 1) Wind: ASCE 7-10; Vult=120mph (3-second gust) V(IRC2012)=95mph; TCCL=6.0psf; BCCL=6.0psf; h=20ft; B=45ft; L=24ft; eave=4ft; Cat. II; Exp B; enclosed, MWFRS (directional); Lumber DOL=1.60 plate grip DOL=1.60
- 2) This truss has been designed for a 10.0 psf bottom chord live load nonconcurrent with any other live loads.
- 3) * This truss has been designed for a live load of 20.0psf on the bottom chord in all areas with a clearance greater than 6-0-0 between the bottom chord and any other members.
- 4) Refer to girder(s) for truss to truss connections.
- 5) Provide mechanical connection (by others) of truss to bearing plate capable of withstanding 100 lb uplift at joint(s) 4.
- 6) One H2.5 Simpson Strong-Tie connectors recommended to connect truss to bearing walls due to UPLIFT at it(s) 2. This connection is for uplift only and does not consider lateral forces.
- 7) "Semi-rigid pitchbreaks including heels" Member end fixity model was used in the analysis and design of this truss.



March 20, 2020

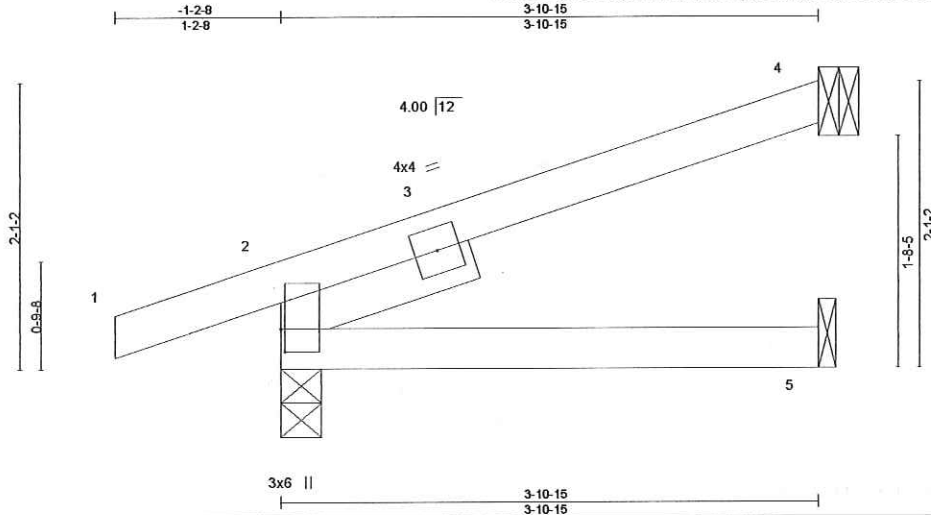
Design valid for use only with MITek® connectors. This design is based only upon parameters shown, and is for an individual building component, not a truss system. Before use, the building designer must verify the applicability of design parameters and properly incorporate this design into the overall building design. Bracing indicated is to prevent buckling of individual truss web and/or chord members only. Additional temporary and permanent bracing is always required for stability and to prevent collapse with possible personal injury and property damage. For general guidance regarding the fabrication, storage, delivery, erection and bracing of trusses and truss systems, see ANSI/TP11 Quality Criteria, DSB-89 and BCSI Building Component Safety Information available from Truss Plate Institute, 218 N. Lee Street, Suite 312, Alexandria, VA 22314.



818 Soundside Road
Edenton, NC 27932

Job 25003	Truss J02	Truss Type JACK	Qty 4	Ply 1	J.Lee/Smith Job Reference (optional)	I40703178
--------------	--------------	--------------------	----------	----------	---	-----------

C&R Building Supply, Autryville NC 7.640 s Aug 16 2017 MiTek Industries, Inc. Fri Mar 20 11:57:09 2020 Page 1
 ID:sUu2KHxSWTaJrWPXBxQ9dezqon6-zaNTIBoy779Um2Jrit1oBT_SIQ5TnvovXmhZkzZ2UO



Scale = 1:15.6

Plate Offsets (X,Y)-	[2-0-2-0,0-0-5]						
LOADING (psf)	SPACING- 2-0-0	CSI.	DEFL.	in (loc)	l/defl	L/d	PLATES
TCLL 20.0	Plate Grip DOL 1.15	TC 0.19	Vert(LL) -0.01	5-8	>999	360	GRIP
TCDL 10.0	Lumber DOL 1.15	BC 0.14	Vert(TL) -0.02	5-8	>999	240	MT20
BCLL 0.0 *	Rep Stress Incr YES	WB 0.00	Horz(TL) 0.01	2	n/a	n/a	
BCDL 10.0	Code IRC2012/TPI2007	(Matrix-M)	Wind(LL) 0.01	5-8	>999	240	Weight: 16 lb
							FT = 20%

LUMBER-
 TOP CHORD 2x4 SP No.2
 BOT CHORD 2x4 SP No.2
 SLIDER Left 2x4 SP No.3 1-6-0

BRACING-
 TOP CHORD Structural wood sheathing directly applied or 3-10-15 oc purlins.
 BOT CHORD Rigid ceiling directly applied or 10-0-0 oc bracing.

REACTIONS. (size) 4=Mechanical, 2=0-3-8, 5=Mechanical
 Max Horz 2=41(LC 8)
 Max Uplift 4=-16(LC 8), 2=-18(LC 8)
 Max Grav 4=95(LC 1), 2=236(LC 1), 5=68(LC 3)

FORCES. (lb) - Max. Comp./Max. Ten. - All forces 250 (lb) or less except when shown.

- NOTES-**
- 1) Wind: ASCE 7-10; Vult=120mph (3-second gust) V(IRC2012)=95mph; TCCL=6.0psf; BCCL=6.0psf; h=20ft; B=45ft; L=24ft; eave=4ft; Cat. II; Exp B; enclosed; MWFRS (directional); Lumber DOL=1.60 plate grip DOL=1.60
 - 2) This truss has been designed for a 10.0 psf bottom chord live load nonconcurrent with any other live loads.
 - 3) * This truss has been designed for a live load of 20.0psf on the bottom chord in all areas with a clearance greater than 6-0-0 between the bottom chord and any other members.
 - 4) Refer to girder(s) for truss to truss connections.
 - 5) Provide mechanical connection (by others) of truss to bearing plate capable of withstanding 100 lb uplift at joint(s) 4.
 - 6) One H2.5 Simpson Strong-Tie connectors recommended to connect truss to bearing walls due to UPLIFT at jt(s) 2. This connection is for uplift only and does not consider lateral forces.
 - 7) "Semi-rigid pitchbreaks including heels" Member end fixity model was used in the analysis and design of this truss.



March 20, 2020

Job 25003	Truss JR02	Truss Type MONO TRUSS	Qty 2	Ply 1	J.Lee/Smith	140703179
--------------	---------------	--------------------------	----------	----------	-------------	-----------

C&R Building Supply, Autryville NC 7.640 s Aug 16 2017 MITek Industries, Inc. Fri Mar 20 11:57:10 2020 Page 1
 ID:sUu2KHxSWTaJrWPXBxQ9dezqon6-SmwrVXpauQHLOCu1JbY1khXcyp2MCA0x8BWE5AZZUN

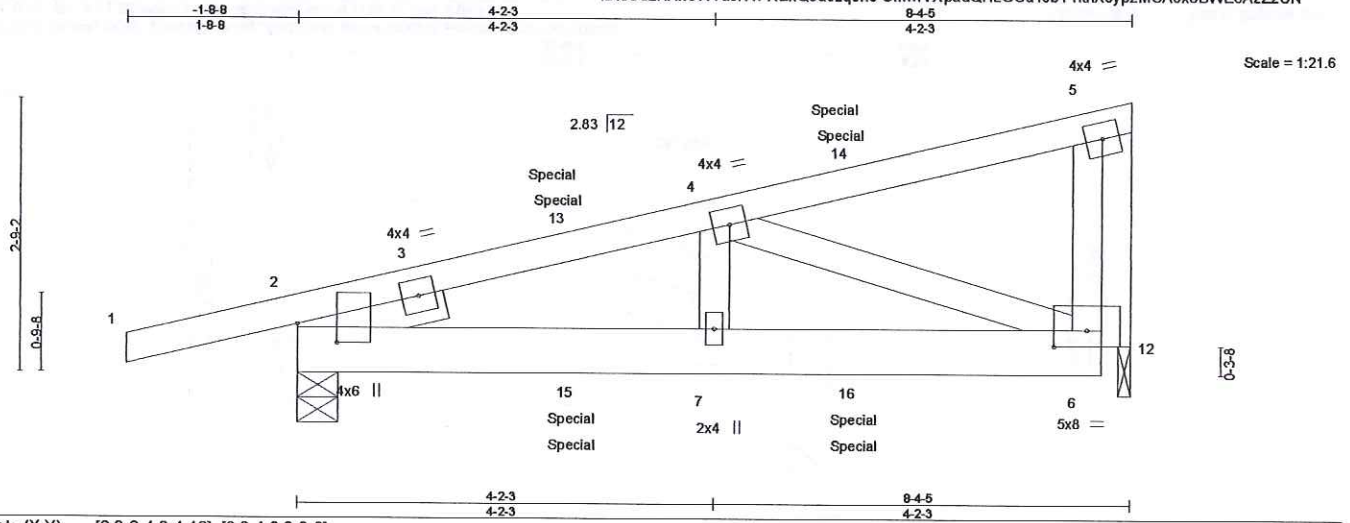


Plate Offsets (X,Y)-	[2:0-2-4,0-4-12], [6:0-4-0,0-2-0]				
LOADING (psf)	SPACING- 2-0-0	CSI.	DEFL. in (loc) l/defl L/d	PLATES	GRIP
TCLL 20.0	Plate Grip DOL 1.15	TC 0.13	Vert(LL) -0.01 7 >999 360	MT20	244/190
TCDL 10.0	Lumber DOL 1.15	BC 0.13	Vert(TL) -0.02 6-7 >999 240		
BCLL 0.0 *	Rep Stress Incr NO	WB 0.27	Horz(TL) 0.00 12 n/a n/a		
BCDL 10.0	Code IRC2012/TPI2007	(Matrix-M)	Wind(LL) 0.01 7 >999 240	Weight: 50 lb	FT = 20%

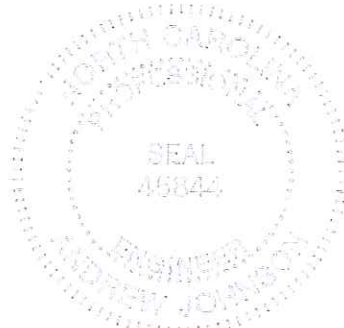
LUMBER-	BRACING-
TOP CHORD 2x4 SP 2400F 2.0E	TOP CHORD Structural wood sheathing directly applied or 6-0-0 oc purlins.
BOT CHORD 2x6 SP No.1	BOT CHORD Rigid ceiling directly applied or 10-0-0 oc bracing.
WEBS 2x4 SP No.3 *Except*	
5-6: 2x4 SP No.2	
SLIDER Left 2x4 SP No.3 1-6-0	

REACTIONS. (size) 2=0-4-15, 12=0-1-8
 Max Horz 2=59(LC 4)
 Max Uplift 2=-24(LC 4), 12=-50(LC 5)
 Max Grav 2=402(LC 1), 12=720(LC 1)

FORCES. (lb) - Max. Comp./Max. Ten. - All forces 250 (lb) or less except when shown.
 TOP CHORD 2-4=-469/31
 BOT CHORD 2-7=-23/449, 6-7=-24/450
 WEBS 4-6=-347/18, 5-6=-39/640, 5-12=-730/51

- NOTES-**
- 1) Wind: ASCE 7-10; Vult=120mph (3-second gust) V(IRC2012)=95mph; TCCL=6.0psf; BCDL=6.0psf; h=20ft; B=45ft; L=24ft; eave=4ft; Cat. II; Exp B; enclosed; MWFRS (directional); Lumber DOL=1.60 plate grip DOL=1.60
 - 2) This truss has been designed for a 10.0 psf bottom chord live load nonconcurrent with any other live loads.
 - 3) * This truss has been designed for a live load of 20.0psf on the bottom chord in all areas with a clearance greater than 6-0-0 between the bottom chord and any other members.
 - 4) Bearing at joint(s) 12 considers parallel to grain value using ANSI/TPI 1 angle to grain formula. Building designer should verify capacity of bearing surface.
 - 5) Provide mechanical connection (by others) of truss to bearing plate at joint(s) 12.
 - 6) One H2.5 Simpson Strong-Tie connectors recommended to connect truss to bearing walls due to UPLIFT at jt(s) 2 and 12. This connection is for uplift only and does not consider lateral forces.
 - 7) "Semi-rigid pitchbreaks including heels" Member end fixity model was used in the analysis and design of this truss.
 - 8) Hanger(s) or other connection device(s) shall be provided sufficient to support concentrated load(s) 18 lb down and 48 lb up at 2-9-8, 18 lb down and 48 lb up at 2-9-8, and 15 lb down and 60 lb up at 5-7-7, and 15 lb down and 60 lb up at 5-7-7 on top chord, and 27 lb up at 2-9-8, 27 lb up at 2-9-8, 16 lb down and 7 lb up at 5-7-7, and 16 lb down and 7 lb up at 5-7-7, and 453 lb down and 59 lb up at 8-5-6 on bottom chord. The design/selection of such connection device(s) is the responsibility of others.
 - 9) In the LOAD CASE(S) section, loads applied to the face of the truss are noted as front (F) or back (B).

LOAD CASE(S) Standard
 1) Dead + Roof Live (balanced): Lumber Increase=1.15, Plate Increase=1.15
 Uniform Loads (plf)
 Vert 1-5=-60, 6-8=-20
 Concentrated Loads (lb)
 Vert 6=-453 13=97(F=48, B=48) 14=-21(F=-11, B=-11) 15=25(F=12, B=12) 16=-32(F=-16, B=-16)



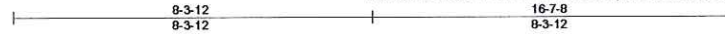
March 20, 2020

Job 25003	Truss PB01	Truss Type GABLE	Qty 2	Ply 1	J.Lee/Smith	140703180
--------------	---------------	---------------------	----------	----------	-------------	-----------

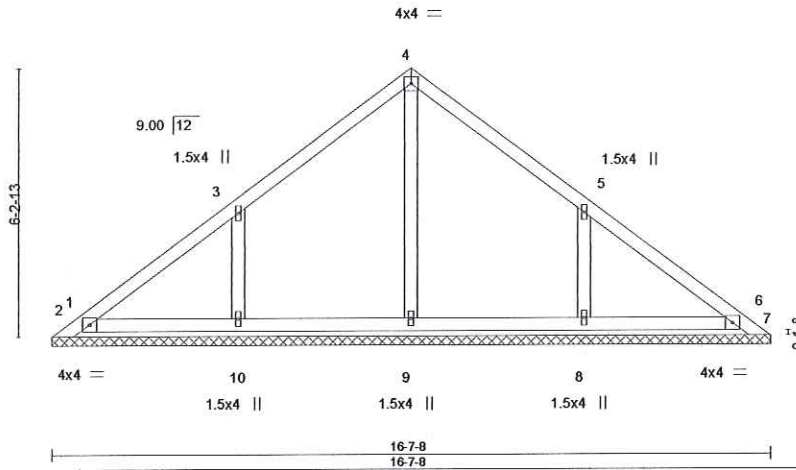
C&R Building Supply, Autryville NC

7.640 s Aug 16 2017 MITek Industries, Inc. Fri Mar 20 11:57:11 2020 Page 1

ID:sUu2KHxSWTaJrWPXBxG9dezqon6-wzUDJtqCfkPCOMTEtH3GHu4oBDPmXgp4MrFodczZ2UM



Scale = 1:49.6



LOADING (psf)	SPACING- 2-0-0	CSI.	DEFL. in (loc) l/defl L/d	PLATES	GRIP
TCLL 20.0	Plate Grip DOL 1.15	TC 0.10	Vert(LL) n/a - n/a 999	MT20	244/190
TCDL 10.0	Lumber DOL 1.15	BC 0.12	Vert(TL) n/a - n/a 999		
BCLL 0.0 *	Rep.Stress Incr NO	WB 0.10	Horz(TL) 0.00 7 n/a n/a		
BCDL 10.0	Code IRC2012/TPI2007	(Matrix)		Weight: 69 lb	FT = 20%

LUMBER-
TOP CHORD 2x4 SP 2400F 2.0E
BOT CHORD 2x4 SP No.2
OTHERS 2x4 SP No.3

BRACING-
TOP CHORD Structural wood sheathing directly applied or 6-0-0 oc purlins.
BOT CHORD Rigid ceiling directly applied or 10-0-0 oc bracing.

REACTIONS. All bearings 16-7-8.
(lb) - Max Horz 1=-103(LC 6)
Max Uplift All uplift 100 lb or less at joint(s) 2, 6, 10, 8 except 1=-147(LC 13), 7=-103(LC 14)
Max Grav All reactions 250 lb or less at joint(s) 1, 7, 9 except 2=302(LC 13), 6=301(LC 1), 10=338(LC 13), 8=337(LC 14)

FORCES. (lb) - Max. Comp./Max. Ten. - All forces 250 (lb) or less except when shown.
WEBS 3-10=-255/93, 5-8=-255/93

- NOTES-**
- Unbalanced roof live loads have been considered for this design.
 - Wind: ASCE 7-10; Vult=120mph (3-second gust) V(IRC2012)=95mph; TCCL=6.0psf; BCDL=6.0psf; h=20ft; B=45ft; L=24ft; eave=2ft; Cat. II; Exp B; enclosed; MWFRS (directional); Lumber DOL=1.60 plate grip DOL=1.60
 - Truss designed for wind loads in the plane of the truss only. For studs exposed to wind (normal to the face), see Standard Industry Gable End Details as applicable, or consult qualified building designer as per ANSI/TPI 1.
 - Gable requires continuous bottom chord bearing.
 - Gable studs spaced at 4-0-0 oc.
 - This truss has been designed for a 10.0 psf bottom chord live load nonconcurrent with any other live loads.
 - * This truss has been designed for a live load of 20.0psf on the bottom chord in all areas with a clearance greater than 6-0-0 between the bottom chord and any other members.
 - Provide mechanical connection (by others) of truss to bearing plate capable of withstanding 100 lb uplift at joint(s) except (it=lb) 1=147, 7=103.
 - N/A
 - "Semi-rigid pitchbreaks including heels" Member end fixity model was used in the analysis and design of this truss.
 - See Standard Industry Piggyback Truss Connection Detail for Connection to base truss as applicable, or consult qualified building designer.



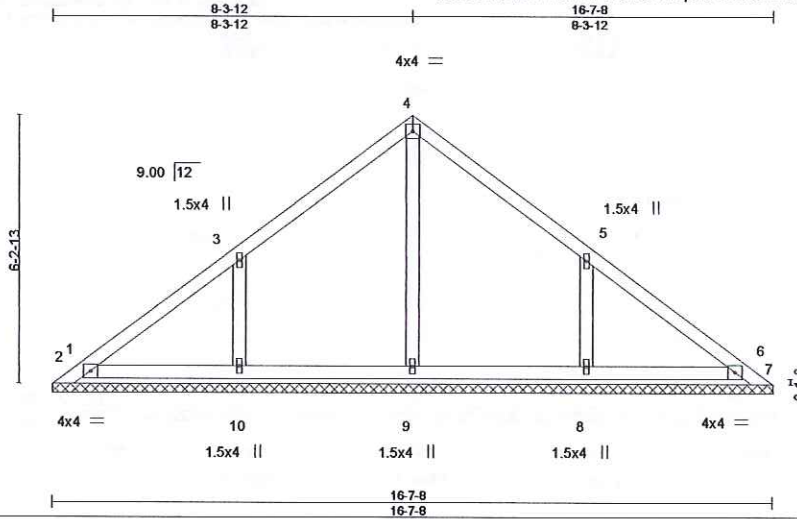
March 20, 2020

<p>Design valid for use only with MITek® connectors. This design is based only upon parameters shown, and is for an individual building component, not a truss system. Before use, the building designer must verify the applicability of design parameters and properly incorporate this design into the overall building design. Bracing indicated is to prevent buckling of individual truss web and/or chord members only. Additional temporary and permanent bracing is always required for stability and to prevent collapse with possible personal injury and property damage. For general guidance regarding the fabrication, storage, delivery, erection and bracing of trusses and truss systems, see ANSITPI1 Quality Criteria, DSB-89 and BCSI Building Component Safety Information available from Truss Plate Institute, 218 N. Lee Street, Suite 312, Alexandria, VA 22314.</p>	<p>ENGINEERED BY TRENCO <small>TRUSS CONNECTIONS</small></p> <p>818 Soundside Road Edenton, NC 27932</p>
--	--

Job 25003	Truss PB02	Truss Type GABLE	Qty 18	Ply 1	J.Lee/Smith	I40703181
--------------	---------------	---------------------	-----------	----------	-------------	-----------

C&R Building Supply, Autryville NC

7.640 s Aug 16 2017 MITek Industries, Inc. Fri Mar 20 11:57:13 2020 Page 1
ID:sUu2KHxSWTaJrWPXBxQ9dezqon6-sLcz8ZrTBLfwFgdc_j6kMJ98s14PPalNq9kuiVZZ2UK



Scale = 1:149.6

LOADING (psf)	SPACING-	CSI.	DEFL.	in (loc)	l/defl	L/d	PLATES	GRIP
TCLL 20.0	2-0-0	TC 0.09	Vert(LL)	n/a	-	n/a	MT20	244/190
TCDL 10.0	Plate Grip DOL 1.15	BC 0.11	Vert(TL)	n/a	-	n/a		
BCLL 0.0 *	Lumber DOL 1.15	WB 0.10	Horz(TL)	0.00	7	n/a		
BCDL 10.0	Rep Stress Incr YES	(Matrix)					Weight 69 lb	FT = 20%
	Code IRC2012/TPI2007							

LUMBER-
TOP CHORD 2x4 SP 2400F 2.0E
BOT CHORD 2x4 SP No.2
OTHERS 2x4 SP No.3

BRACING-
TOP CHORD Structural wood sheathing directly applied or 6-0-0 oc purlins.
BOT CHORD Rigid ceiling directly applied or 10-0-0 oc bracing.

REACTIONS. All bearings 16-7-8.
(lb) - Max Horz 1=-103(LC 6)
Max Uplift All uplift 100 lb or less at joint(s) 2, 6, 10, 8 except 1=-147(LC 13), 7=-103(LC 14)
Max Grav All reactions 250 lb or less at joint(s) 1, 7, 9 except 2=302(LC 13), 6=301(LC 1), 10=338(LC 13), 8=337(LC 14)

FORCES. (lb) - Max. Comp./Max. Ten. - All forces 250 (lb) or less except when shown.
WEBS 3-10=-255/93, 5-8=-255/93

- NOTES-**
- Unbalanced roof live loads have been considered for this design.
 - Wind: ASCE 7-10; Vult=120mph (3-second gust) V(IRC2012)=95mph; TCCL=6.0psf; BCDL=6.0psf; h=20ft; B=45ft; L=24ft; eave=2ft; Cat. II; Exp B; enclosed; MWFRS (directional); Lumber DOL=1.60 plate grip DOL=1.60
 - Truss designed for wind loads in the plane of the truss only. For studs exposed to wind (normal to the face), see Standard Industry Gable End Details as applicable, or consult qualified building designer as per ANSI/TPI 1.
 - Gable requires continuous bottom chord bearing.
 - Gable studs spaced at 4-0-0 oc.
 - This truss has been designed for a 10.0 psf bottom chord live load nonconcurrent with any other live loads.
 - * This truss has been designed for a live load of 20.0psf on the bottom chord in all areas with a clearance greater than 6-0-0 between the bottom chord and any other members.
 - Provide mechanical connection (by others) of truss to bearing plate capable of withstanding 100 lb uplift at joint(s) except (it=lb) 1=-147, 7=103.
 - N/A
 - "Semi-rigid pitchbreaks including heels" Member end fixity model was used in the analysis and design of this truss.
 - See Standard Industry Piggyback Truss Connection Detail for Connection to base truss as applicable, or consult qualified building designer.



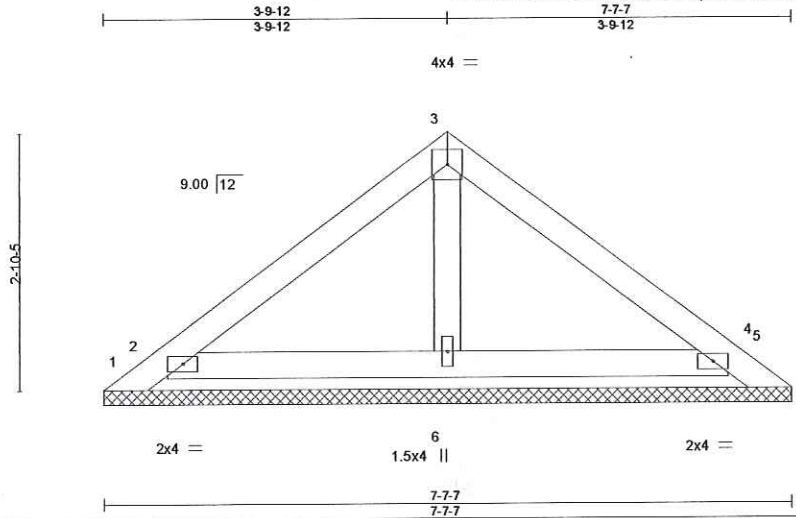
March 20, 2020

Design valid for use only with MITek® connectors. This design is based only upon parameters shown, and is for an individual building component, not a truss system. Before use, the building designer must verify the applicability of design parameters and properly incorporate this design into the overall building design. Bracing indicated is to prevent buckling of individual truss web and/or chord members only. Additional temporary and permanent bracing is always required for stability and to prevent collapse with possible personal injury and property damage. For general guidance regarding the fabrication, storage, delivery, erection and bracing of trusses and truss systems, see ANSI/TPI1 Quality Criteria, DSB-89 and BCSI Building Component Safety Information available from Truss Plate Institute, 218 N. Lee Street, Suite 312, Alexandria, VA 22314.

DESIGNED BY
TRENCO
818 Soundside Road
Edenton, NC 27932

Job 25003	Truss PB04	Truss Type GABLE	Qty 7	Ply 1	J.Lee/Smith	140703182
--------------	---------------	---------------------	----------	----------	-------------	-----------

C&R Building Supply, Autryville NC 7.640 s Aug 16 2017 MITek Industries, Inc. Fri Mar 20 11:57:14 2020 Page 1
 ID:sUu2KHxSWTaJrWPXBxQ9dezqon6-KXAMLvs5yfnntpCoYRdzuXIJrRQs82nX3pUSEzZ2UJ



Scale = 1:23.7

LOADING (psf)	SPACING-	2-0-0	CSI.	DEFL.	in (loc)	l/def	L/d	PLATES	GRIP
TCLL 20.0	Plate Grip DOL	1.15	TC 0.07	Vert(LL)	n/a	-	n/a	MT20	244/190
TCDL 10.0	Lumber DOL	1.15	BC 0.10	Vert(TL)	n/a	-	n/a		
BCLL 0.0 *	Rep Stress Incr	YES	WB 0.02	Horz(TL)	0.00	5	n/a		
BCDL 10.0	Code	IRC2012/TPI2007	(Matrix)					Weight: 26 lb	FT = 20%

LUMBER-
 TOP CHORD 2x4 SP 2400F 2.0E
 BOT CHORD 2x4 SP No.2
 OTHERS 2x4 SP No.3

BRACING-
 TOP CHORD Structural wood sheathing directly applied or 6-0-0 oc purlins.
 BOT CHORD Rigid ceiling directly applied or 10-0-0 oc bracing.

REACTIONS. All bearings 7-7-7.
 (lb) - Max Horz 1=45(LC 6)
 Max Uplift All uplift 100 lb or less at joint(s) 2, 4 except 1=-140(LC 13), 5=-121(LC 14)
 Max Grav All reactions 250 lb or less at joint(s) 1, 5, 6 except 2=316(LC 13), 4=312(LC 1)

FORCES. (lb) - Max. Comp./Max. Ten. - All forces 250 (lb) or less except when shown.

- NOTES-**
- Unbalanced roof live loads have been considered for this design.
 - Wind: ASCE 7-10; Vult=120mph (3-second gust) V(IRC2012)=95mph; TCCL=6.0psf; BCCL=6.0psf; h=20ft; B=45ft; L=24ft; eave=2ft; Cat. II; Exp B; enclosed; MWFRS (directional); Lumber DOL=1.60 plate grip DOL=1.60
 - Truss designed for wind loads in the plane of the truss only. For studs exposed to wind (normal to the face), see Standard Industry Gable End Details as applicable, or consult qualified building designer as per ANSI/TPI 1.
 - Gable requires continuous bottom chord bearing.
 - Gable studs spaced at 4-0-0 oc.
 - This truss has been designed for a 10.0 psf bottom chord live load nonconcurrent with any other live loads.
 - * This truss has been designed for a live load of 20.0psf on the bottom chord in all areas with a clearance greater than 6-0-0 between the bottom chord and any other members.
 - Provide mechanical connection (by others) of truss to bearing plate capable of withstanding 100 lb uplift at joint(s) except (it=lb) 1=140, 5=121.
 - N/A
 - "Semi-rigid pitchbreaks including heels" Member end fixity model was used in the analysis and design of this truss.
 - See Standard Industry Piggyback Truss Connection Detail for Connection to base truss as applicable, or consult qualified building designer.



March 20, 2020

Design valid for use only with MITek® connectors. This design is based only upon parameters shown, and is for an individual building component, not a truss system. Before use, the building designer must verify the applicability of design parameters and properly incorporate this design into the overall building design. Bracing indicated is to prevent buckling of individual truss web and/or chord members only. Additional temporary and permanent bracing is always required for stability and to prevent collapse with possible personal injury and property damage. For general guidance regarding the fabrication, storage, delivery, erection and bracing of trusses and truss systems, see ANSITPI1 Quality Criteria, DSB-89 and BCSI Building Component Safety Information available from Truss Plate Institute, 218 N. Lee Street, Suite 312, Alexandria, VA 22314.

ENGINEERED BY
TRENCO
 A LEE-FAMBER

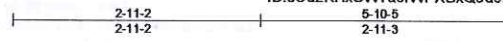
818 Soundside Road
 Edenton, NC 27932

Job 25003	Truss PB05	Truss Type GABLE	Qty 1	Ply 1	J.Lee/Smith I40703183
--------------	---------------	---------------------	----------	----------	--------------------------

C&R Building Supply, Auryville NC

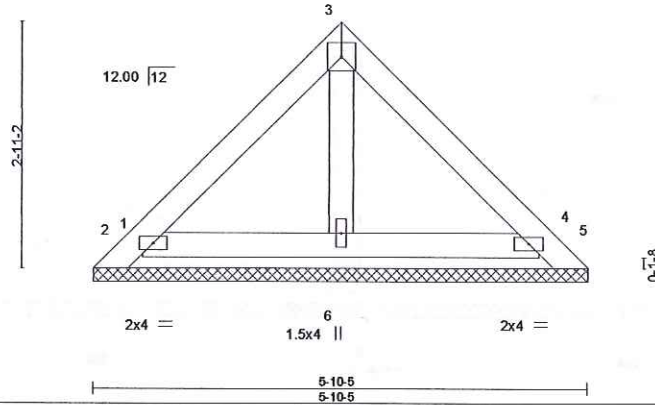
7.640 s Aug 16 2017 MITek Industries, Inc. Fri Mar 20 11:57:15 2020 Page 1

ID:sUu2KHxSWTajrWPXBxQ9deZqn6-okkkZEijzveUzm?688CRKEV_qnetVAgHTD?mNzZ2UI



4x4 =

Scale = 1:25.5



LOADING (psf)	SPACING- 2-0-0	CSI.	DEFL. in (loc) l/defl L/d	PLATES	GRIP
TCLL 20.0	Plate Grip DOL 1.15	TC 0.05	Vert(LL) n/a - n/a 999	MT20	244/190
TCDL 10.0	Lumber DOL 1.15	BC 0.06	Vert(TL) n/a - n/a 999		
BCLL 0.0 *	Rep Stress Incr NO	WB 0.01	Horz(TL) 0.00 5 n/a n/a		
BCDL 10.0	Code IRC2012/TPI2007	(Matrix)		Weight: 22 lb	FT = 20%

LUMBER-
TOP CHORD 2x4 SP 2400F 2.0E
BOT CHORD 2x4 SP No.2
OTHERS 2x4 SP No.3

BRACING-
TOP CHORD Structural wood sheathing directly applied or 5-10-5 oc purlins.
BOT CHORD Rigid ceiling directly applied or 10-0-0 oc bracing.

REACTIONS. All bearings 5-10-5.
(lb) - Max Horz 1=51 (LC 7)
Max Uplift All uplift 100 lb or less at joint(s) 5, 2, 4 except 1=-121 (LC 13)
Max Grav All reactions 250 lb or less at joint(s) 1, 5, 4, 6 except 2=261 (LC 13)

FORCES. (lb) - Max. Comp./Max. Ten. - All forces 250 (lb) or less except when shown.

NOTES-

- Unbalanced roof live loads have been considered for this design.
- Wind: ASCE 7-10; Vult=120mph (3-second gust) V(IRC2012)=95mph; TCCL=6.0psf; BCCL=6.0psf; h=20ft; B=45ft; L=24ft; eave=2ft; Cat. II; Exp B; enclosed; MWFRS (directional); Lumber DOL=1.60 plate grip DOL=1.60
- Truss designed for wind loads in the plane of the truss only. For studs exposed to wind (normal to the face), see Standard Industry Gable End Details as applicable, or consult qualified building designer as per ANSI/TPI 1.
- Gable requires continuous bottom chord bearing.
- Gable studs spaced at 4-0-0 oc.
- This truss has been designed for a 10.0 psf bottom chord live load nonconcurrent with any other live loads.
- * This truss has been designed for a live load of 20.0psf on the bottom chord in all areas with a clearance greater than 6-0-0 between the bottom chord and any other members.
- Provide mechanical connection (by others) of truss to bearing plate capable of withstanding 100 lb uplift at joint(s) 5 except (it=lb) 1=121.
- N/A
- "Semi-rigid pitchbreaks including heels" Member end fixity model was used in the analysis and design of this truss.
- See Standard Industry Piggyback Truss Connection Detail for Connection to base truss as applicable, or consult qualified building designer.



March 20, 2020

Design valid for use only with MITek® connectors. This design is based only upon parameters shown, and is for an individual building component, not a truss system. Before use, the building designer must verify the applicability of design parameters and properly incorporate this design into the overall building design. Bracing indicated is to prevent buckling of individual truss web and/or chord members only. Additional temporary and permanent bracing is always required for stability and to prevent collapse with possible personal injury and property damage. For general guidance regarding the fabrication, storage, delivery, erection and bracing of trusses and truss systems, see ANSI/TPI1 Quality Criteria, DSB-89 and BCSI Building Component Safety Information available from Truss Plate Institute, 218 N. Lee Street, Suite 312, Alexandria, VA 22314.



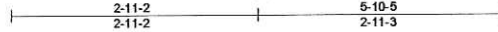
818 Soundside Road
Edenton, NC 27932

Job 25003	Truss PB06	Truss Type GABLE	Qty 15	Ply 1	J.Lee/Smith	140703184
--------------	---------------	---------------------	-----------	----------	-------------	-----------

C&R Building Supply, Autryville NC

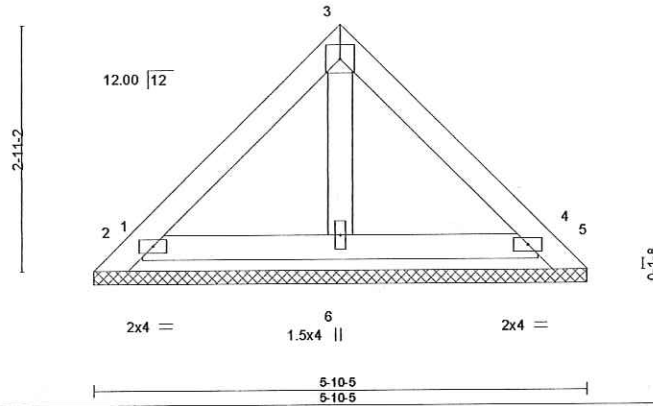
7.640 s Aug 16 2017 MiTek Industries, Inc. Fri Mar 20 11:57:16 2020 Page 1

ID:sUu2KHxSWTaJrWPXBxQ9deZqon6-Gwl6mauLUG1U67LBfrRzngpE7ycyQpW7zYJqzZ2UH



4x4 =

Scale = 1:25.5



LOADING (psf)	SPACING- 2-0-0	CSI.	DEFL. in (loc) l/defl L/d	PLATES	GRIP
TCLL 20.0	Plate Grip DOL 1.15	TC 0.04	Vert(LL) n/a - n/a 999	MT20	244/190
TCDL 10.0	Lumber DOL 1.15	BC 0.06	Vert(TL) n/a - n/a 999		
BCLL 0.0 *	Rep.Stress Incr YES	WB 0.01	Horz(TL) 0.00 5 n/a n/a		
BCDL 10.0	Code IRC2012/TPI2007	(Matrix)		Weight: 22 lb	FT = 20%

LUMBER-

TOP CHORD 2x4 SP 2400F 2.0E
 BOT CHORD 2x4 SP No.2
 OTHERS 2x4 SP No.3

BRACING-

TOP CHORD Structural wood sheathing directly applied or 5-10-5 oc purlins.
 BOT CHORD Rigid ceiling directly applied or 10-0-0 oc bracing.

REACTIONS.

All bearings 5-10-5.
 (lb) - Max Horz 1=51(LC 7)
 Max Uplift All uplift 100 lb or less at joint(s) 5, 2, 4 except 1=-121(LC 13)
 Max Grav All reactions 250 lb or less at joint(s) 1, 5, 4, 6 except 2=261(LC 13)

FORCES. (lb) - Max. Comp./Max. Ten. - All forces 250 (lb) or less except when shown.

NOTES-

- Unbalanced roof live loads have been considered for this design.
- Wind: ASCE 7-10; Vult=120mph (3-second gust) V(IRC2012)=95mph; TCDL=6.0psf; BCDL=6.0psf; h=20ft; B=45ft; L=24ft; eave=2ft; Cat. II; Exp B; enclosed; MWFRS (directional); Lumber DOL=1.60 plate grip DOL=1.60
- Truss designed for wind loads in the plane of the truss only. For studs exposed to wind (normal to the face), see Standard Industry Gable End Details as applicable, or consult qualified building designer as per ANSI/TPI 1.
- Gable requires continuous bottom chord bearing.
- Gable studs spaced at 4-0-0 oc.
- This truss has been designed for a 10.0 psf bottom chord live load nonconcurrent with any other live loads.
- * This truss has been designed for a live load of 20.0psf on the bottom chord in all areas with a clearance greater than 6-0-0 between the bottom chord and any other members.
- Provide mechanical connection (by others) of truss to bearing plate capable of withstanding 100 lb uplift at joint(s) 5 except (it=lb) 1=121.
- N/A
- "Semi-rigid pitchbreaks including heels" Member end fixity model was used in the analysis and design of this truss.
- See Standard Industry Piggyback Truss Connection Detail for Connection to base truss as applicable, or consult qualified building designer.



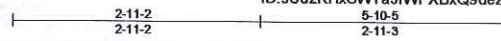
March 20, 2020

<p>Design valid for use only with MiTek® connectors. This design is based only upon parameters shown, and is for an individual building component, not a truss system. Before use, the building designer must verify the applicability of design parameters and properly incorporate this design into the overall building design. Bracing indicated is to prevent buckling of individual truss web and/or chord members only. Additional temporary and permanent bracing is always required for stability and to prevent collapse with possible personal injury and property damage. For general guidance regarding the fabrication, storage, delivery, erection and bracing of trusses and truss systems, see ANSI/TPI Quality Criteria, DSB-89 and BCSI Building Component Safety Information available from Truss Plate Institute, 218 N. Lee Street, Suite 312, Alexandria, VA 22314.</p>	<p>ENGINEERED BY TRENCO <small>A BCSI COMPANY</small></p> <p>818 Soundside Road Eden, NC 27932</p>
--	--

Job 25003	Truss PB07	Truss Type GABLE	Qty 1	Ply 1	J.Lee/Smith	140703185
--------------	---------------	---------------------	----------	----------	-------------	-----------

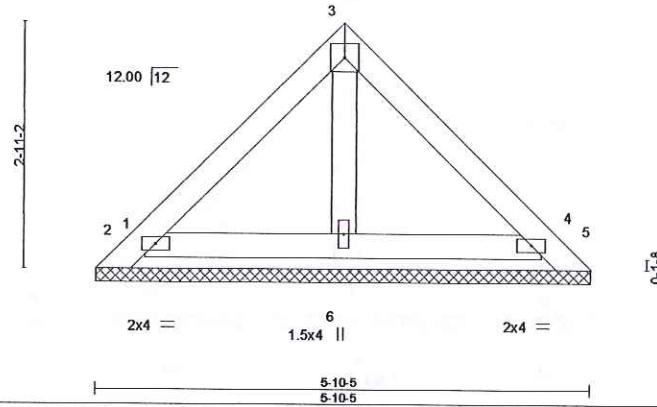
C&R Building Supply, Autryville NC

7.640 s Aug 16 2017 MITek Industries, Inc. Fri Mar 20 11:57:17 2020 Page 1
ID:sUu2KHxSWTaJrWPXBxQ9dezqon6-k6rUzwuzFa9LkHwNDZAGW9KrUeT5LPgZlni6rGzZ2UG



4x4 =

Scale = 1:25.5



LOADING (psf)	SPACING-	CSI.	DEFL.	PLATES	GRIP
TCLL 20.0	2-0-0	TC 0.05	in (loc) l/defl L/d	MT20	244/190
TCDL 10.0	Plate Grip DOL 1.15	BC 0.06	Vert(LL) n/a - n/a 999		
BCLL 0.0 *	Lumber DOL 1.15	WB 0.01	Vert(TL) n/a - n/a 999		
BCDL 10.0	Rep Stress Incr NO	(Matrix)	Horz(TL) 0.00 5 n/a n/a		
	Code IRC2012/TPI2007			Weight: 22 lb	FT = 20%

LUMBER-
TOP CHORD 2x4 SP 2400F 2.0E
BOT CHORD 2x4 SP No.2
OTHERS 2x4 SP No.3

BRACING-
TOP CHORD Structural wood sheathing directly applied or 5-10-5 oc purlins.
BOT CHORD Rigid ceiling directly applied or 10-0-0 oc bracing.

REACTIONS. All bearings 5-10-5.
(lb) - Max Horz 1=51(LC 7)
Max Uplift All uplift 100 lb or less at joint(s) 5, 2, 4 except 1=-121(LC 13)
Max Grav All reactions 250 lb or less at joint(s) 1, 5, 4, 6 except 2=261(LC 13)

FORCES. (lb) - Max. Comp./Max. Ten. - All forces 250 (lb) or less except when shown.

NOTES-

- Unbalanced roof live loads have been considered for this design.
- Wind: ASCE 7-10; Vult=120mph (3-second gust) V(IRC2012)=95mph; TCCL=6.0psf; BCDL=6.0psf; h=20ft; B=45ft; L=24ft; eave=2ft; Cat. II; Exp B; enclosed; MWFRS (directional); Lumber DOL=1.60 plate grip DOL=1.60
- Truss designed for wind loads in the plane of the truss only. For studs exposed to wind (normal to the face), see Standard Industry Gable End Details as applicable, or consult qualified building designer as per ANSI/TPI 1.
- Gable requires continuous bottom chord bearing.
- Gable studs spaced at 4-0-0 oc.
- This truss has been designed for a 10.0 psf bottom chord live load nonconcurrent with any other live loads.
- * This truss has been designed for a live load of 20.0psf on the bottom chord in all areas with a clearance greater than 6-0-0 between the bottom chord and any other members.
- Provide mechanical connection (by others) of truss to bearing plate capable of withstanding 100 lb uplift at joint(s) 5 except (jt=lb) 1=121.
- N/A
- "Semi-rigid pitchbreaks including heels" Member end fixity model was used in the analysis and design of this truss.
- See Standard Industry Piggyback Truss Connection Detail for Connection to base truss as applicable, or consult qualified building designer.



March 20, 2020

Design valid for use only with MITek® connectors. This design is based only upon parameters shown, and is for an individual building component, not a truss system. Before use, the building designer must verify the applicability of design parameters and properly incorporate this design into the overall building design. Bracing indicated is to prevent buckling of individual truss web and/or chord members only. Additional temporary and permanent bracing is always required for stability and to prevent collapse with possible personal injury and property damage. For general guidance regarding the fabrication, storage, delivery, erection and bracing of trusses and truss systems, see ANSITPI1 Quality Criteria, DSB-89 and BCSI Building Component Safety Information available from Truss Plate Institute, 218 N. Lee Street, Suite 312, Alexandria, VA 22314.



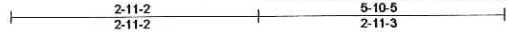
818 Soundside Road
Edenton, NC 27932

Job 25003	Truss PB08	Truss Type GABLE	Qty 7	Ply 1	J.Lee/Smith Job Reference (optional)	140703186
--------------	---------------	---------------------	----------	----------	---	-----------

C&R Building Supply, Autryville NC

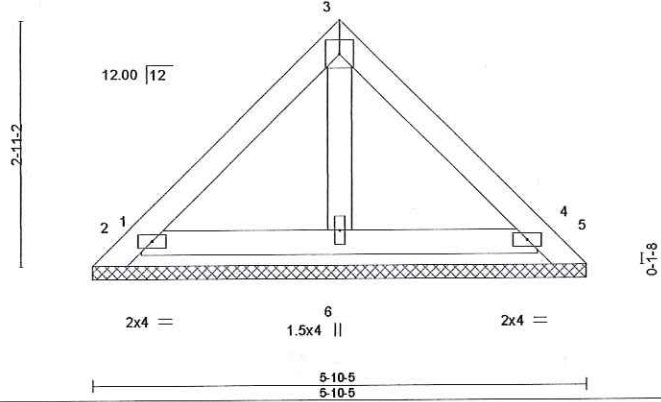
7.640 s Aug 16 2017 MITek Industries, Inc. Fri Mar 20 11:57:18 2020 Page 1

ID:sUu2KHxSWTaJrWFPxBxQ9dezqon6-DJPsBGvb0uICMRVanGhw3Ns0J2pQ4sw6zRSINizZ2UF



4x4 =

Scale = 1:25.5



LOADING (psf)	SPACING- 2-0-0	CSI.	DEFL. in (loc) l/defl L/d	PLATES	GRIP
TCLL 20.0	Plate Grip DOL 1.15	TC 0.04	Vert(LL) n/a - n/a 999	MT20	244/190
TCDL 10.0	Lumber DOL 1.15	BC 0.06	Vert(TL) n/a - n/a 999		
BCLL 0.0 *	Rep Stress Incr YES	WB 0.01	Horz(TL) 0.00 5 n/a n/a		
BCDL 10.0	Code IRC2012/TP12007	(Matrix)		Weight 22 lb	FT = 20%

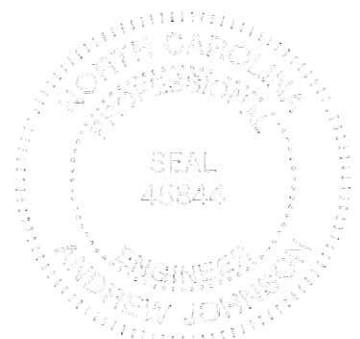
LUMBER-
 TOP CHORD 2x4 SP 2400F 2.0E
 BOT CHORD 2x4 SP No.2
 OTHERS 2x4 SP No.3

BRACING-
 TOP CHORD Structural wood sheathing directly applied or 5-10-5 oc purlins.
 BOT CHORD Rigid ceiling directly applied or 10-0-0 oc bracing.

REACTIONS. All bearings 5-10-5.
 (lb) - Max Horz 1=51(LC 7)
 Max Uplift All uplift 100 lb or less at joint(s) 5, 2, 4 except 1=-121(LC 13)
 Max Grav All reactions 250 lb or less at joint(s) 1, 5, 4, 6 except 2=261(LC 13)

FORCES. (lb) - Max. Comp./Max. Ten. - All forces 250 (lb) or less except when shown.

- NOTES-**
- Unbalanced roof live loads have been considered for this design.
 - Wind: ASCE 7-10; Vult=120mph (3-second gust) V(IRC2012)=95mph; TCCL=6.0psf; BCDL=6.0psf; h=20ft; B=45ft; L=24ft; eave=2ft; Cat. II; Exp B; enclosed; MWFRS (directional); Lumber DOL=1.60 plate grip DOL=1.60
 - Truss designed for wind loads in the plane of the truss only. For studs exposed to wind (normal to the face), see Standard Industry Gable End Details as applicable, or consult qualified building designer as per ANSI/TP1.
 - Gable requires continuous bottom chord bearing.
 - Gable studs spaced at 4-0-0 oc.
 - This truss has been designed for a 10.0 psf bottom chord live load nonconcurrent with any other live loads.
 - * This truss has been designed for a live load of 20.0psf on the bottom chord in all areas with a clearance greater than 6-0-0 between the bottom chord and any other members.
 - Provide mechanical connection (by others) of truss to bearing plate capable of withstanding 100 lb uplift at joint(s) 5 except (if=lb) 1=121.
 - N/A
 - "Semi-rigid pitchbreaks including heels" Member end fixity model was used in the analysis and design of this truss.
 - See Standard Industry Piggyback Truss Connection Detail for Connection to base truss as applicable, or consult qualified building designer.



March 20, 2020

Design valid for use only with MITek® connectors. This design is based only upon parameters shown, and is for an individual building component, not a truss system. Before use, the building designer must verify the applicability of design parameters and properly incorporate this design into the overall building design. Bracing indicated is to prevent buckling of individual truss web and/or chord members only. Additional temporary and permanent bracing is always required for stability and to prevent collapse with possible personal injury and property damage. For general guidance regarding the fabrication, storage, delivery, erection and bracing of trusses and truss systems, see ANSI/TP1 Quality Criteria, DSB-89 and BCSI Building Component Safety Information available from Truss Plate Institute, 218 N. Lee Street, Suite 312, Alexandria, VA 22314.

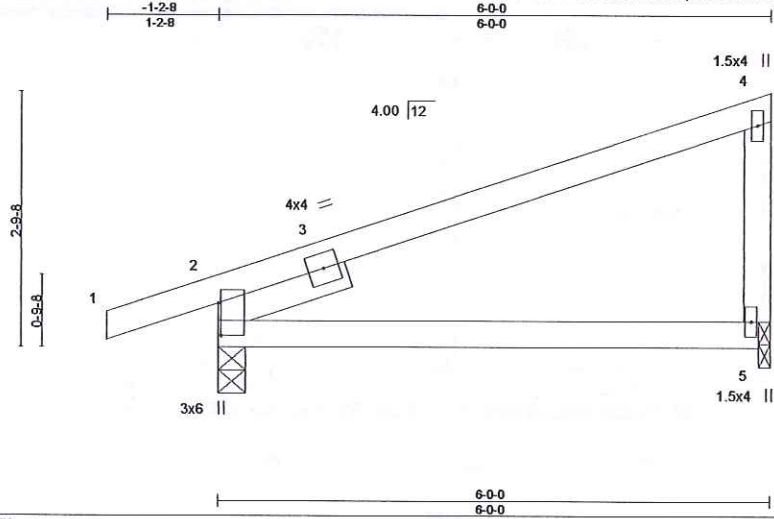
DESIGNED BY
TRENCO
 818 Soundside Road
 Edenton, NC 27932

Job 25003	Truss PJ01	Truss Type MONO TRUSS	Qty 4	Ply 1	J.Lee/Smith	I40703187
--------------	---------------	--------------------------	----------	----------	-------------	-----------

C&R Building Supply, Autryville NC

7.640 s Aug 16 2017 MITek Industries, Inc. Fri Mar 20 11:57:18 2020 Page 1

ID:sUu2KHxSWTaJrWPXBxQ9dezqon6-DJPsBGvb0ulCMRVanGhv3NsvZ2ku4sb6zRSInizZ2UF



Scale = 1:23.4

Plate Offsets (X,Y)- [2:0-4-5,0-0-5]

LOADING (psf)	SPACING-	CSI.	DEFL.	PLATES	GRIP
TCLL 20.0	2-0-0	TC 0.47	in (loc) l/defl L/d	MT20	244/190
TCDL 10.0	Plate Grip DOL 1.15	BC 0.35	Vert(LL) -0.04 5-8 >999 360		
BCLL 0.0 *	Lumber DOL 1.15	WB 0.04	Vert(TL) -0.14 5-8 >515 240		
BCDL 10.0	Rep Stress Incr YES	(Matrix-S)	Horz(TL) 0.04 2 n/a n/a		
	Code IRC2012/TPI2007		Wind(LL) 0.03 5-8 >999 240	Weight: 26 lb	FT = 20%

LUMBER-

TOP CHORD 2x4 SP No.2
 BOT CHORD 2x4 SP No.2
 WEBS 2x4 SP No.3
 SLIDER Left 2x4 SP No.3 1-6-0

BRACING-

TOP CHORD Structural wood sheathing directly applied.
 BOT CHORD Rigid ceiling directly applied.

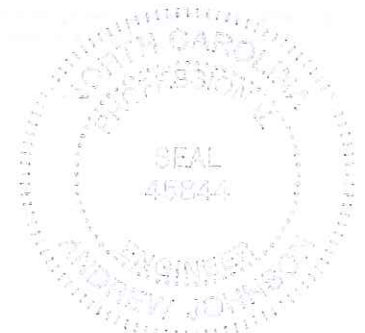
REACTIONS.

(size) 2=0-3-8, 5=0-1-8
 Max Horz 2=57(LC 8)
 Max Uplift 2=-12(LC 8), 5=-3(LC 8)
 Max Grav 2=314(LC 1), 5=227(LC 1)

FORCES. (lb) - Max. Comp./Max. Ten. - All forces 250 (lb) or less except when shown.

NOTES-

- 1) Wind: ASCE 7-10; Vult=120mph (3-second gust) V(IRC2012)=95mph; TCGL=6.0psf; BCGL=6.0psf; h=20ft; B=45ft; L=24ft; eave=4ft; Cat. II; Exp B; enclosed; MWFRS (directional); Lumber DOL=1.60 plate grip DOL=1.60
- 2) This truss has been designed for a 10.0 psf bottom chord live load nonconcurrent with any other live loads.
- 3) * This truss has been designed for a live load of 20.0psf on the bottom chord in all areas with a clearance greater than 6-0-0 between the bottom chord and any other members.
- 4) Bearing at joint(s) 5 considers parallel to grain value using ANSI/TPI 1 angle to grain formula. Building designer should verify capacity of bearing surface.
- 5) Provide mechanical connection (by others) of truss to bearing plate at joint(s) 4.
- 6) One H2.5 Simpson Strong-Tie connectors recommended to connect truss to bearing walls due to UPLIFT at jt(s) 2 and 5. This connection is for uplift only and does not consider lateral forces.
- 7) This truss design requires that a minimum of 7/16" structural wood sheathing be applied directly to the top chord and 1/2" gypsum sheetrock be applied directly to the bottom chord.



March 20, 2020

Design valid for use only with MITek® connectors. This design is based only upon parameters shown, and is for an individual building component, not a truss system. Before use, the building designer must verify the applicability of design parameters and properly incorporate this design into the overall building design. Bracing indicated is to prevent buckling of individual truss web and/or chord members only. Additional temporary and permanent bracing is always required for stability and to prevent collapse with possible personal injury and property damage. For general guidance regarding the fabrication, storage, delivery, erection and bracing of trusses and truss systems, see ANSI/TPI Quality Criteria, DSB-89 and BCSI Building Component Safety Information available from Truss Plate Institute, 218 N. Lee Street, Suite 312, Alexandria, VA 22314.

ENGINEERING BY
TRENCO
 818 Soundside Road
 Edenton, NC 27932

Job 25003	Truss PJ01A	Truss Type MONOTRUSS	Qty 22	Ply 1	J.Lee/Smith	I40703188
C&R Building Supply, Autryville NC		7.640 s Aug 16 2017 MiTek Industries, Inc. Fri Mar 20 11:57:19 2020 Page 1				

ID:sUu2KHxSWTaJrWPXbXQ9deZqon6-hVzF0CwDnBQ3zb4mL_D8baP4JS37plqGC5BDv9zZ2UE

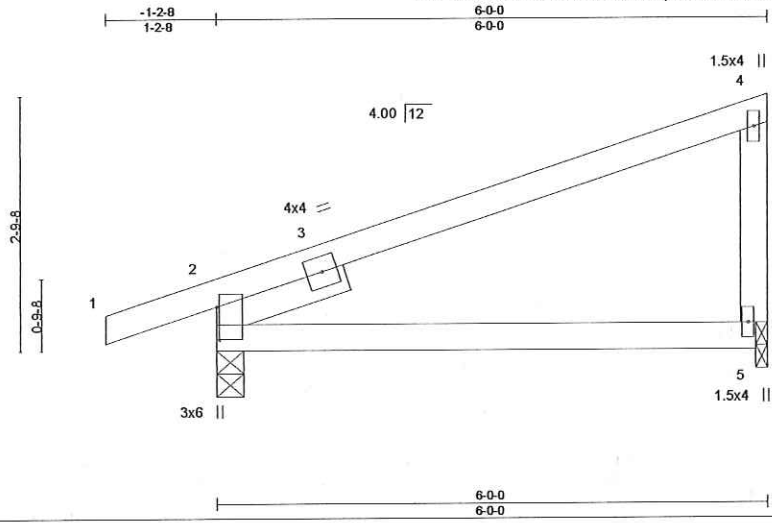


Plate Offsets (X,Y) - [2.0-4.5,0-0.5]

LOADING (psf)	SPACING-	CSI.	DEFL.	in (loc)	l/defl	L/d	PLATES	GRIP
TCLL 20.0	2-0-0	TC 0.47	Vert(LL)	-0.04	5-8	>999	MT20	244/190
TCDL 10.0	Plate Grip DOL 1.15	BC 0.35	Vert(TL)	-0.14	5-8	>515		
BCLL 0.0 *	Lumber DOL 1.15	WB 0.04	Horz(TL)	0.04	2	n/a		
BCDL 10.0	Rep Stress Incr YES	(Matrix-S)	Wind(LL)	0.03	5-8	>999		
	Code IRC2012/TPI2007						Weight 26 lb	FT = 20%

LUMBER-
 TOP CHORD 2x4 SP No.2
 BOT CHORD 2x4 SP No.2
 WEBS 2x4 SP No.3
 SLIDER Left 2x4 SP No.3 1-6-0

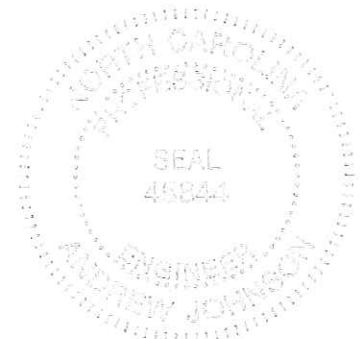
BRACING-
 TOP CHORD Structural wood sheathing directly applied.
 BOT CHORD Rigid ceiling directly applied.

REACTIONS. (size) 2=0-3-8, 5=0-1-8
 Max Horz 2=57(LC 8)
 Max Uplift 2=-12(LC 8), 5=-3(LC 8)
 Max Grav 2=314(LC 1), 5=227(LC 1)

FORCES. (lb) - Max. Comp./Max. Ten. - All forces 250 (lb) or less except when shown.

NOTES-

- 1) Wind: ASCE 7-10; Vult=120mph (3-second gust) V(IRC2012)=95mph; TCDL=6.0psf, BCDL=6.0psf, h=20ft, B=45ft, L=24ft, eave=4ft, Cat. II; Exp B; enclosed; MWFRS (directional); Lumber DOL=1.60 plate grip DOL=1.60
- 2) This truss has been designed for a 10.0 psf bottom chord live load nonconcurrent with any other live loads.
- 3) * This truss has been designed for a live load of 20.0psf on the bottom chord in all areas with a clearance greater than 6-0-0 between the bottom chord and any other members.
- 4) Bearing at joint(s) 5 considers parallel to grain value using ANSII/TPI 1 angle to grain formula. Building designer should verify capacity of bearing surface.
- 5) Provide mechanical connection (by others) of truss to bearing plate at joint(s) 5.
- 6) One H2.5 Simpson Strong-Tie connectors recommended to connect truss to bearing walls due to UPLIFT at jt(s) 2 and 5. This connection is for uplift only and does not consider lateral forces.
- 7) This truss design requires that a minimum of 7/16" structural wood sheathing be applied directly to the top chord and 1/2" gypsum sheetrock be applied directly to the bottom chord.



March 20, 2020



Design valid for use only with MiTek® connectors. This design is based only upon parameters shown, and is for an individual building component, not a truss system. Before use, the building designer must verify the applicability of design parameters and properly incorporate this design into the overall building design. Bracing indicated is to prevent buckling of individual truss web and/or chord members only. Additional temporary and permanent bracing is always required for stability and to prevent collapse with possible personal injury and property damage. For general guidance regarding the fabrication, storage, delivery, erection and bracing of trusses and truss systems, see ANSII/TPI1 Quality Criteria, DSB-89 and BCSI Building Component Safety Information available from Truss Plate Institute, 218 N. Lee Street, Suite 312, Alexandria, VA 22314.



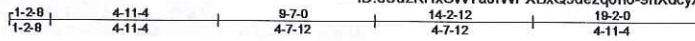
818 Soundside Road
 Edenton, NC 27932

Job 25003	Truss T01	Truss Type COMMON	Qty 3	Ply 1	J.Lee/Smith	140703189
--------------	--------------	----------------------	----------	----------	-------------	-----------

C&R Building Supply, Autryville NC

7.640 s Aug 16 2017 MITek Industries, Inc. Fri Mar 20 11:57:20 2020 Page 1

ID:sUu2KHxSWTajrWPXBxQ9dezqon6-9hXdcyxsYVYwbkfyuhkN8oylcrSpYcEPRkxmsBzZ2UD



4x6 ||

Scale: 3/16"=1'

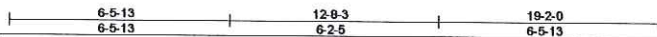
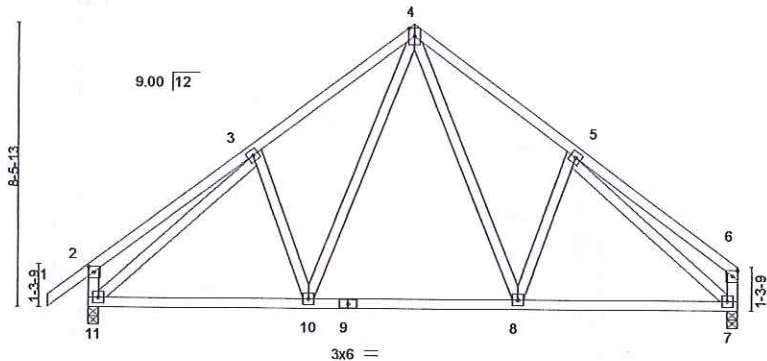


Plate Offsets (X,Y) - [2:0-2-0,0-1-12], [5:0-0-0,0-0-0]

LOADING (psf)	SPACING-	CSI.	DEFL.	in (loc)	l/defl	L/d	PLATES	GRIP
TCLL 20.0	2-0-0	TC 0.31	Vert(LL)	-0.07	8-10	>999	MT20	244/190
TCDL 10.0	Plate Grip DOL 1.15	BC 0.19	Vert(TL)	-0.11	8-10	>999		
BCLL 0.0 *	Lumber DOL 1.15	WB 0.60	Horz(TL)	0.02	7	n/a		
BCDL 10.0	Rep Stress Incr YES	(Matrix-S)	Wind(LL)	0.01	8-10	>999		
	Code IRC2012/TPI2007						Weight: 127 lb	FT = 20%

LUMBER-
 TOP CHORD 2x4 SP 2400F 2.0E
 BOT CHORD 2x4 SP 2400F 2.0E
 WEBS 2x4 SP No.3

BRACING-
 TOP CHORD Structural wood sheathing directly applied, except end verticals.
 BOT CHORD Rigid ceiling directly applied.

REACTIONS. (size) 11=0-3-8, 7=0-3-8
 Max Horz 11=132(LC 7)
 Max Uplift 11=-12(LC 8)
 Max Grav 11=842(LC 13), 7=765(LC 14)

FORCES. (lb) - Max. Comp./Max. Ten. - All forces 250 (lb) or less except when shown.
 TOP CHORD 3-4=-821/83, 4-5=-826/84, 2-11=-311/81
 BOT CHORD 10-11=0/700, 8-10=0/511, 7-8=0/637
 WEBS 4-10=-19/391, 4-8=-19/401, 3-11=-756/0, 5-7=-746/0

- NOTES-**
- 1) Unbalanced roof live loads have been considered for this design.
 - 2) Wind: ASCE 7-10; Vult=120mph (3-second gust) V(IRC2012)=95mph; TCDL=6.0psf; BCDL=6.0psf; h=20ft; B=45ft; L=24ft; eave=4ft; Cat. II; Exp B; enclosed; MWFRS (directional); Lumber DOL=1.60 plate grip DOL=1.60
 - 3) All plates are 4x4 MT20 unless otherwise indicated.
 - 4) This truss has been designed for a 10.0 psf bottom chord live load nonconcurrent with any other live loads.
 - 5) * This truss has been designed for a live load of 20.0psf on the bottom chord in all areas with a clearance greater than 6-0-0 between the bottom chord and any other members, with BCDL = 10.0psf.
 - 6) One H2.5 Simpson Strong-Tie connectors recommended to connect truss to bearing walls due to UPLIFT at jt(s) 11. This connection is for uplift only and does not consider lateral forces.
 - 7) This truss design requires that a minimum of 7/16" structural wood sheathing be applied directly to the top chord and 1/2" gypsum sheetrock be applied directly to the bottom chord.



March 20, 2020

Design valid for use only with MITek® connectors. This design is based only upon parameters shown, and is for an individual building component, not a truss system. Before use, the building designer must verify the applicability of design parameters and properly incorporate this design into the overall building design. Bracing indicated is to prevent buckling of individual truss web and/or chord members only. Additional temporary and permanent bracing is always required for stability and to prevent collapse with possible personal injury and property damage. For general guidance regarding the fabrication, storage, delivery, erection and bracing of trusses and truss systems, see ANSITPHI Quality Criteria, DSB-89 and BCS1 Building Component Safety Information available from Truss Plate Institute, 218 N. Lee Street, Suite 312, Alexandria, VA 22314.

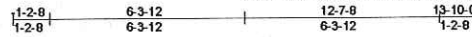
DESIGNED BY
TRENCO
 818 Soundside Road
 Edenton, NC 27932

Job 25003	Truss T04	Truss Type COMMON	Qty 2	Ply 1	J.Lee/Smith Job Reference (optional)	140703191
--------------	--------------	----------------------	----------	----------	---	-----------

C&R Building Supply, Autryville NC

7.640 s Aug 16 2017 MITek Industries, Inc. Fri Mar 20 11:57:22 2020 Page 1

ID:sUu2KHxSWTajrWpXBxQ9deZqon6-54fN1ey646oeq2pL06mrDD1Zif510e_iu3QWtZ22UB



4x4 =

Scale = 1:69.6

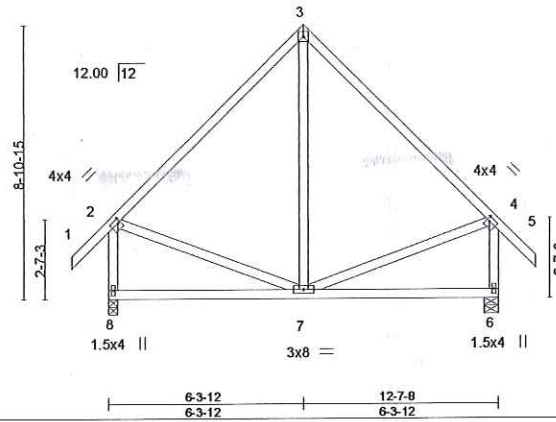


Plate Offsets (X, Y) - [2:0-1-0,0-1-12], [4:0-1-0,0-1-12]

LOADING (psf)	SPACING-	CSI.	DEFL.	in	(loc)	l/defl	L/d	PLATES	GRIP
TCLL 20.0	2-0-0	TC 0.59	Vert(LL)	-0.03	6-7	>999	360	MT20	244/190
TCDL 10.0	Plate Grip DOL 1.15	BC 0.33	Vert(TL)	-0.08	6-7	>999	240		
BCLL 0.0 *	Lumber DOL 1.15	WB 0.07	Horz(TL)	0.00	6	n/a	n/a		
BCDL 10.0	Rep Stress Incr YES	(Matrix-M)	Wind(LL)	0.00	7	>999	240		
	Code IRC2012/TPI2007							Weight: 89 lb	FT = 20%

LUMBER-

TOP CHORD 2x4 SP No.2
 BOT CHORD 2x4 SP No.2
 WEBS 2x4 SP No.3

BRACING-

TOP CHORD Structural wood sheathing directly applied or 6-0-0 oc purlins, except end verticals.
 BOT CHORD Rigid ceiling directly applied or 10-0-0 oc bracing.

REACTIONS.

(size) 8=0-3-8, 6=0-5-8
 Max Horz 8=140(LC 7)
 Max Uplift 8=-18(LC 8), 6=-18(LC 8)
 Max Grav 8=575(LC 1), 6=575(LC 1)

FORCES.

(lb) - Max. Comp./Max. Ten. - All forces 250 (lb) or less except when shown.

TOP CHORD 2-3=-411/63, 3-4=-411/63, 2-8=-520/48, 4-6=-520/48

NOTES-

- Unbalanced roof live loads have been considered for this design.
- Wind: ASCE 7-10; Vult=120mph (3-second gust) V(IRC2012)=95mph; TCDL=6.0psf, BCDL=6.0psf, h=20ft; B=45ft; L=24ft; eave=4ft; Cat. II; Exp B; enclosed; MWFRS (directional); Lumber DOL=1.60 plate grip DOL=1.60
- This truss has been designed for a 10.0 psf bottom chord live load nonconcurrent with any other live loads.
- * This truss has been designed for a live load of 20.0psf on the bottom chord in all areas with a clearance greater than 6-0-0 between the bottom chord and any other members.
- One H2.5 Simpson Strong-Tie connectors recommended to connect truss to bearing walls due to UPLIFT at jt(s) 8 and 6. This connection is for uplift only and does not consider lateral forces.
- "Semi-rigid pitchbreaks including heels" Member end fixity model was used in the analysis and design of this truss.



March 20, 2020

Design valid for use only with MITek® connectors. This design is based only upon parameters shown, and is for an individual building component, not a truss system. Before use, the building designer must verify the applicability of design parameters and properly incorporate this design into the overall building design. Bracing indicated is to prevent buckling of individual truss web and/or chord members only. Additional temporary and permanent bracing is always required for stability and to prevent collapse with possible personal injury and property damage. For general guidance regarding the fabrication, storage, delivery, erection and bracing of trusses and truss systems, see ANS/TP1 Quality Criteria, DSB-89 and BCSI Building Component Safety Information available from Truss Plate Institute, 218 N. Lee Street, Suite 312, Alexandria, VA 22314.



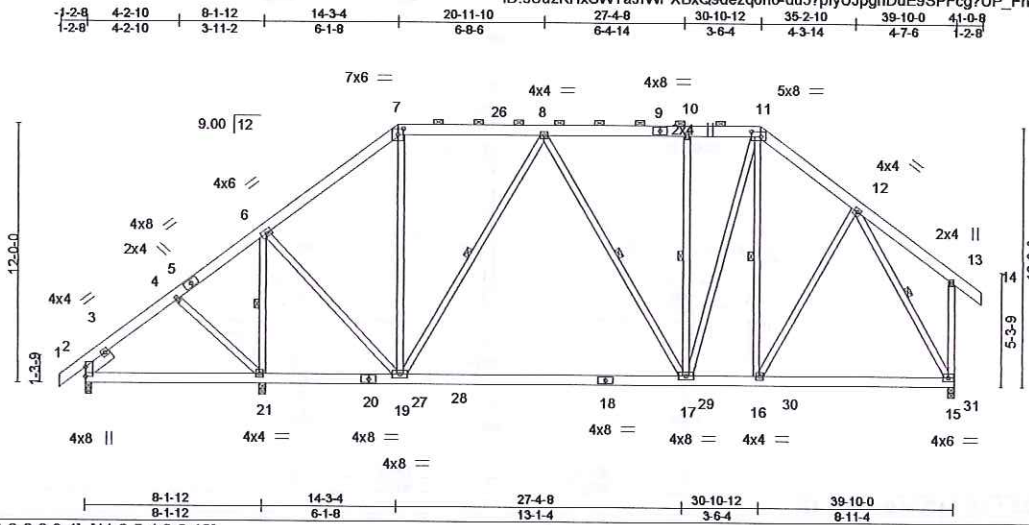
818 Soundside Road
 Edenton, NC 27932

Job	Truss	Truss Type	Qty	Ply	J.Lee/Smith	140703190
25003	T02	HIP	16	1		

C&R Building Supply, Autryville NC

7.640 s Aug 16 2017 MITek Industries, Inc. Fri Mar 20 11:57:21 2020 Page 1

ID:sUu2KHxSWTaJrWPXBxQ9dezqon6-du5?plyUJpgnDuE9SPFcg?UP_FhVH37ZgPgJ_1z2ZUC



Scale = 1:98.6

Plate Offsets (X,Y) - [7:0-3-0,0-3-4], [11:0-5-4,0-2-12]

LOADING (psf)	SPACING-	CSI.	DEFL.	PLATES	GRIP
TCLL 20.0	Plate Grip DOL 2-0-0	TC 0.52	in (loc) l/defl L/d	MT20	244/190
TCDL 10.0	Lumber DOL 1.15	BC 0.61	Vert(LL) -0.29 17-19 >999 360		
BCLL 0.0 *	Rep Stress Incr YES	WB 0.62	Vert(TL) -0.53 17-19 >708 240		
BCDL 10.0	Code IRC2012/TPI2007	(Matrix-S)	Horz(TL) 0.03 15 n/a n/a		
			Wind(LL) 0.02 17-19 >999 240	Weight: 380 lb	FT = 20%

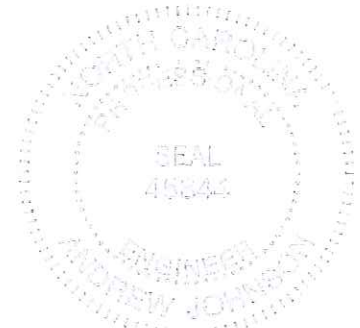
LUMBER-
 TOP CHORD 2x6 SP No.1
 BOT CHORD 2x6 SP No.1
 WEBS 2x4 SP No.3
 SLIDER Left 2x6 SP No.1 1-6-0

BRACING-
 TOP CHORD Structural wood sheathing directly applied, except end verticals, and 2-0-0 oc purlins (6-0-0 max.); 7-11.
 BOT CHORD Rigid ceiling directly applied.
 WEBS 1 Row at midpt 6-21, 8-19, 8-17, 10-17, 11-16, 12-15

REACTIONS. (size) 2=0-3-8, 21=0-3-8, 15=0-3-8
 Max Horz 2=-168(LC 6)
 Max Uplift 21=-1(LC 8)
 Max Grav 2=492(LC 1), 21=1787(LC 13), 15=1688(LC 14)

FORCES. (lb) - Max. Comp./Max. Ten. - All forces 250 (lb) or less except when shown.
 TOP CHORD 2-4=-385/0, 4-6=-266/17, 6-7=-1091/67, 7-8=-807/85, 8-10=-1120/82, 10-11=-1120/82, 11-12=-1235/88
 BOT CHORD 2-21=-28/351, 17-19=0/1090, 16-17=0/923, 15-16=0/701
 WEBS 6-21=-1510/23, 6-19=0/966, 7-19=0/359, 8-19=-549/37, 10-17=-295/49, 11-17=0/711, 12-16=0/465, 12-15=-1421/0

- NOTES-**
- Unbalanced roof live loads have been considered for this design.
 - Wind: ASCE 7-10; Vult=120mph (3-second gust) V(IRC2012)=95mph; TCDL=6.0psf, BCDL=6.0psf; h=20ft, B=45ft, L=24ft; eave=5ft; Cat. II; Exp B; enclosed; MWFRS (directional); Lumber DOL=1.60 plate grip DOL=1.60
 - Provide adequate drainage to prevent water ponding.
 - This truss has been designed for a 10.0 psf bottom chord live load nonconcurrent with any other live loads.
 - * This truss has been designed for a live load of 20.0psf on the bottom chord in all areas with a clearance greater than 6-0-0 between the bottom chord and any other members, with BCDL = 10.0psf.
 - One H2.5 Simpson Strong-Tie connectors recommended to connect truss to bearing walls due to UPLIFT at jt(s) 2, 21, and 15. This connection is for uplift only and does not consider lateral forces.
 - This truss design requires that a minimum of 7/16" structural wood sheathing be applied directly to the top chord and 1/2" gypsum sheetrock be applied directly to the bottom chord.
 - Graphical purlin representation does not depict the size or the orientation of the purlin along the top and/or bottom chord.



March 20, 2020

Design valid for use only with MITek® connectors. This design is based only upon parameters shown, and is for an individual building component, not a truss system. Before use, the building designer must verify the applicability of design parameters and properly incorporate this design into the overall building design. Bracing indicated is to prevent buckling of individual truss web and/or chord members only. Additional temporary and permanent bracing is always required for stability and to prevent collapse with possible personal injury and property damage. For general guidance regarding the fabrication, storage, delivery, erection and bracing of trusses and truss systems, see ANSIT/TPH Quality Criteria, DSB-89 and BCSI Building Component Safety Information available from Truss Plate Institute, 218 N. Lee Street, Suite 312, Alexandria, VA 22314.



818 Soundside Road
 Edenton, NC 27932

Job 25003	Truss T05	Truss Type HIP	Qty 5	Ply 1	J.Lee/Smith	140703192
--------------	--------------	-------------------	----------	----------	-------------	-----------

C&R Building Supply, Autryville NC 7.640 s Aug 16 2017 MITek Industries, Inc. Fri Mar 20 11:57:24 2020 Page 1
 ID:sUu2KHxSWTaJrWpXBxQ9deZqon6-1Tn7SJ_Mbk2M4Myj7XoJle6x6TpBUQx?Mnv_bMzZ2U9

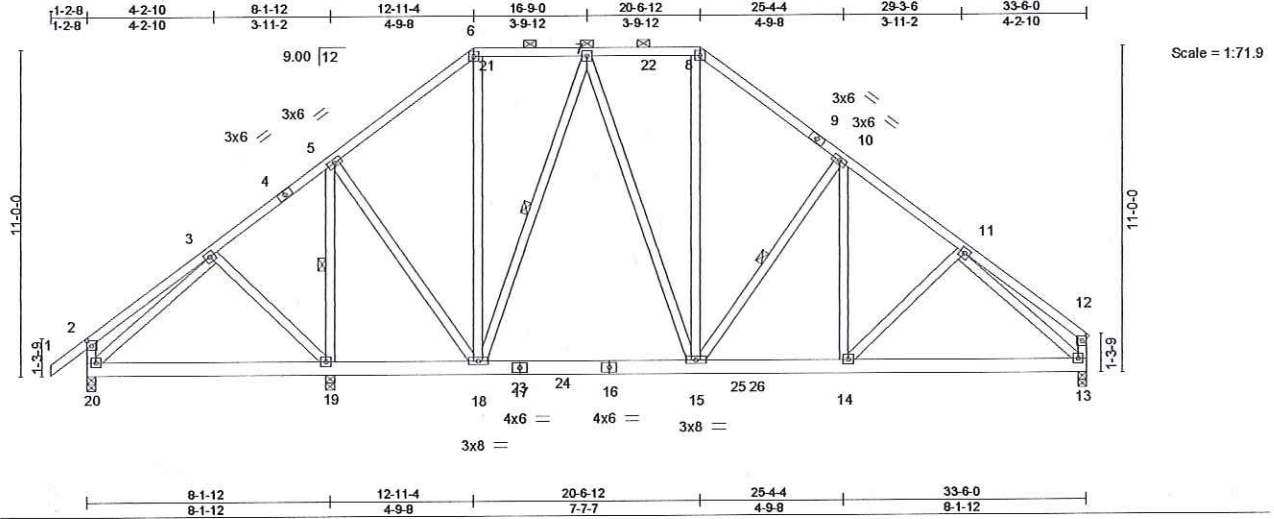


Plate Offsets (X,Y) - [2.0-2.0,0-1-12]					
LOADING (psf)	SPACING-	CSI.	DEFL.	PLATES	GRIP
TCLL 20.0	2-0-0	TC 0.47	in (loc) l/defl L/d	MT20	244/190
TCDL 10.0	Plate Grip DOL 1.15	BC 0.23	Vert(LL) -0.04 15-18 >999 360		
BCLL 0.0 *	Lumber DOL 1.15	WB 0.62	Vert(TL) -0.09 15-18 >999 240		
BCDL 10.0	Rep Stress Incr YES	(Matrix-S)	Horz(TL) 0.02 13 n/a n/a		
	Code IRC2012/TPI2007		Wind(LL) 0.01 14 >999 240		
				Weight: 281 lb	FT = 20%

LUMBER-
 TOP CHORD 2x4 SP 2400F 2.0E
 BOT CHORD 2x6 SP No.1
 WEBS 2x4 SP No.3

BRACING-
 TOP CHORD Structural wood sheathing directly applied, except end verticals, and 2-0-0 oc purlins (6-0-0 max.): 6-8.
 BOT CHORD Rigid ceiling directly applied.
 WEBS 1 Row at midpt 5-19, 7-18, 10-15

REACTIONS. (size) 19=0-3-8, 20=0-3-8, 13=0-3-8
 Max Horz 20=176(LC 7)
 Max Uplift 20=-3(LC 8)
 Max Grav 19=1452(LC 13), 20=471(LC 17), 13=1113(LC 14)

FORCES. (lb) - Max. Comp./Max. Ten. - All forces 250 (lb) or less except when shown.
 TOP CHORD 5-6=-724/88, 6-7=-510/95, 7-8=-775/94, 8-10=-1027/87, 10-11=-1251/32, 11-12=-325/27, 2-20=-264/64, 12-13=-277/25
 BOT CHORD 19-20=-38/292, 15-18=0/691, 14-15=0/928, 13-14=0/947
 WEBS 5-19=-1122/26, 5-18=0/705, 7-18=-503/14, 7-15=0/311, 8-15=0/342, 10-15=-389/62, 11-13=-1059/0

- NOTES-**
- 1) Unbalanced roof live loads have been considered for this design.
 - 2) Wind: ASCE 7-10; Vult=120mph (3-second gust) V(IRC2012)=95mph; TCDL=6.0psf; BCDL=6.0psf; h=20ft; B=45ft; L=24ft; eave=4ft; Cat. II; Exp B; enclosed; MWFRS (directional); Lumber DOL=1.60 plate grip DOL=1.60
 - 3) Provide adequate drainage to prevent water ponding.
 - 4) All plates are 4x4 MT20 unless otherwise indicated.
 - 5) This truss has been designed for a 10.0 psf bottom chord live load nonconcurrent with any other live loads.
 - 6) * This truss has been designed for a live load of 20.0psf on the bottom chord in all areas with a clearance greater than 6-0-0 between the bottom chord and any other members, with BCDL = 10.0psf.
 - 7) One H2.5 Simpson Strong-Tie connectors recommended to connect truss to bearing walls due to UPLIFT at jt(s) 19, 20, and 13. This connection is for uplift only and does not consider lateral forces.
 - 8) This truss design requires that a minimum of 7/16" structural wood sheathing be applied directly to the top chord and 1/2" gypsum sheetrock be applied directly to the bottom chord.
 - 9) Graphical purlin representation does not depict the size or the orientation of the purlin along the top and/or bottom chord.



Design valid for use only with MITek® connectors. This design is based only upon parameters shown, and is for an individual building component, not a truss system. Before use, the building designer must verify the applicability of design parameters and properly incorporate this design into the overall building design. Bracing indicated is to prevent buckling of individual truss web and/or chord members only. Additional temporary and permanent bracing is always required for stability and to prevent collapse with possible personal injury and property damage. For general guidance regarding the fabrication, storage, delivery, erection and bracing of trusses and truss systems, see ANSI/TPI1 Quality Criteria, DSB-89 and BCSI Building Component Safety Information available from Truss Plate Institute, 218 N. Lee Street, Suite 312, Alexandria, VA 22314.

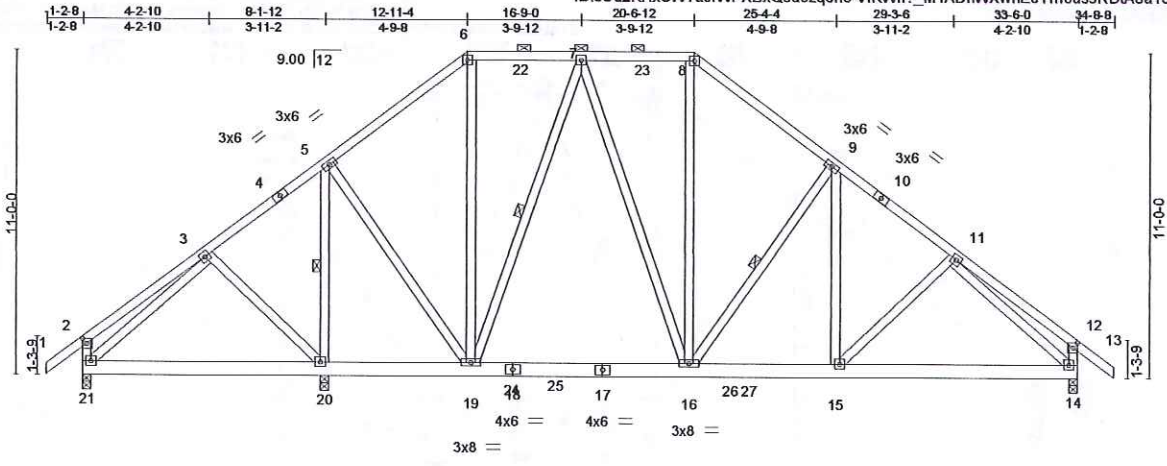
TRENCO
 A BCSI BUILDING COMPONENT
 818 Soundside Road
 Edenton, NC 27932

Job 25003	Truss T05A	Truss Type HIP	Qty 2	Ply 1	J.Lee/Smith	I40703193
--------------	---------------	-------------------	----------	----------	-------------	-----------

C&R Building Supply, Autryville NC

7.640 s Aug 16 2017 MITek Industries, Inc. Fri Mar 20 11:57:25 2020 Page 1

ID:sUu2KHxSWTajrWPXBxQ9deqon6-VfKwff?_M1ADhWXwhEJYrrf6us9RDTA8a1eX7ozZ2U8



Scale = 1:72.5

Plate Offsets (X,Y) -	[2.0-2.0,0-1.12], [12.0-2.0,0-1.12]
-----------------------	-------------------------------------

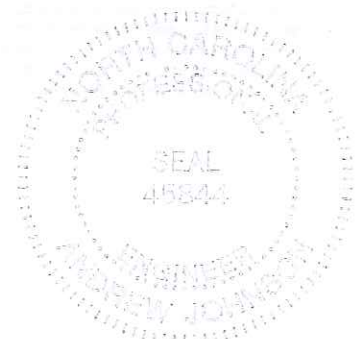
LOADING (psf)	SPACING-	CSI.	DEFL.	PLATES	GRIP
TCLL 20.0	2-0-0	TC 0.47	in (loc) l/defl L/d	MT20	244/190
TCDL 10.0	Plate Grip DOL 1.15	BC 0.22	Vert(LL) -0.04 16-19 >999 360		
BCLL 0.0 *	Lumber DOL 1.15	WB 0.62	Vert(TL) -0.09 16-19 >999 240		
BCDL 10.0	Rep Stress Incr YES	(Matrix-S)	Horz(TL) 0.02 14 n/a n/a		
	Code IRC2012/TPI2007		Wind(LL) 0.01 15 >999 240		
				Weight: 283 lb	FT = 20%

LUMBER-	BRACING-
TOP CHORD 2x4 SP 2400F 2.0E	TOP CHORD Structural wood sheathing directly applied, except end verticals, and 2-0-0 oc purlins (6-0-0 max.): 6-8.
BOT CHORD 2x6 SP No.1	BOT CHORD Rigid ceiling directly applied.
WEBS 2x4 SP No.3	WEBS 1 Row at midpt 5-20, 7-19, 9-16

REACTIONS. (size) 20=0-3-8, 21=0-3-8, 14=0-3-8
 Max Horz 21=181(LC 7)
 Max Uplift 21=-11(LC 8), 14=-3(LC 8)
 Max Grav 20=1453(LC 13), 21=471(LC 17), 14=1188(LC 14)

FORCES. (lb) - Max. Comp./Max. Ten. - All forces 250 (lb) or less except when shown.
 TOP CHORD 5-6=-724/94, 6-7=-510/99, 7-8=-774/97, 8-9=-1026/91, 9-11=-1245/35, 11-12=-320/38, 2-21=-264/65, 12-14=-354/64
 BOT CHORD 20-21=-411/300, 16-19=0/697, 15-16=0/924, 14-15=0/931
 WEBS 5-20=-1122/17, 5-19=0/702, 7-19=-500/11, 7-16=0/308, 8-16=0/341, 9-16=-385/62, 11-14=-1057/0

- NOTES-**
- 1) Unbalanced roof live loads have been considered for this design.
 - 2) Wind: ASCE 7-10; Vult=120mph (3-second gust) V(IRC2012)=95mph; TCDL=6.0psf; BCDL=6.0psf; h=20ft; B=45ft; L=24ft; eave=4ft; Cat. II; Exp B; enclosed; MWFRS (directional); Lumber DOL=1.60 plate grip DOL=1.60
 - 3) Provide adequate drainage to prevent water ponding.
 - 4) All plates are 4x4 MT20 unless otherwise indicated.
 - 5) This truss has been designed for a 10.0 psf bottom chord live load nonconcurrent with any other live loads.
 - 6) * This truss has been designed for a live load of 20.0psf on the bottom chord in all areas with a clearance greater than 6-0-0 between the bottom chord and any other members, with BCDL = 10.0psf.
 - 7) One H2.5 Simpson Strong-Tie connectors recommended to connect truss to bearing walls due to UPLIFT at jt(s) 20, 21, and 14. This connection is for uplift only and does not consider lateral forces.
 - 8) This truss design requires that a minimum of 7/16" structural wood sheathing be applied directly to the top chord and 1/2" gypsum sheetrock be applied directly to the bottom chord.
 - 9) Graphical purlin representation does not depict the size or the orientation of the purlin along the top and/or bottom chord.

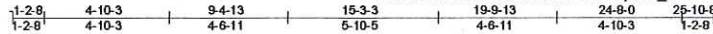


March 20, 2020

Job 25003	Truss T06	Truss Type HIP	Qty 7	Ply 1	J.Lee/Smith	I40703194
--------------	--------------	-------------------	----------	----------	-------------	-----------

C&R Building Supply, Autryville NC

7.640 s Aug 16 2017 Mittek Industries, Inc. Fri Mar 20 11:57:26 2020 Page 1
ID:sUu2KHxSWTfJtWpXbXQ9deZqon6-ruus??c7L14Jf66FyrnN3CLxGVCyQllphO4fZz2U7



Scale = 1:82.9

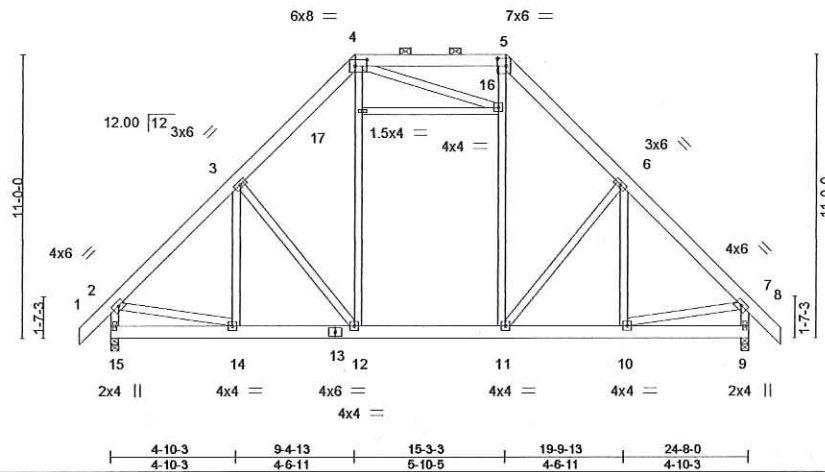


Plate Offsets (X,Y)- [4:0-5-8,0-3-0], [5:0-4-0,0-3-8]

LOADING (psf)	SPACING-	CSI.	DEFL.	in (loc)	l/defl	L/d	PLATES	GRIP
TCLL 20.0	2-0-0	TC 0.19	Vert(LL)	-0.04 10-11	>999	360	MT20	244/190
TCDL 10.0	Plate Grip DOL 1.15	BC 0.19	Vert(TL)	-0.07 10-11	>999	240		
BCLL 0.0 *	Lumber DOL 1.15	WB 0.24	Horz(TL)	0.01 9	n/a	n/a		
BCDL 10.0	Rep Stress Incr YES	(Matrix-M)	Wind(LL)	-0.04 12-14	>999	240		
	Code IRC2012/TPI2007						Weight 243 lb	FT = 20%

LUMBER-

TOP CHORD 2x6 SP No.1
BOT CHORD 2x6 SP No.1
WEBS 2x4 SP No.3

BRACING-

TOP CHORD Structural wood sheathing directly applied or 6-0-0 oc purlins, except end verticals, and 2-0-0 oc purlins (6-0-0 max.): 4-5.
BOT CHORD Rigid ceiling directly applied or 10-0-0 oc bracing.

REACTIONS.

(size) 15=0-3-8, 9=0-3-8
Max Horz 15=-199(LC 6)
Max Uplift 15=-7(LC 8), 9=-7(LC 8)
Max Grav 15=1056(LC 1), 9=1056(LC 1)

FORCES. (lb) - Max. Comp./Max. Ten. - All forces 250 (lb) or less except when shown.

TOP CHORD 2-3=-1001/23, 3-4=-886/99, 4-5=-593/103, 5-6=-886/99, 6-7=-1001/23, 2-15=-1005/32, 7-9=-1005/32
BOT CHORD 12-14=0/763, 11-12=0/627, 10-11=0/648
WEBS 12-17=-9/311, 4-17=-9/312, 11-16=-9/310, 5-16=-9/308, 2-14=0/595, 7-10=0/599

NOTES-

- Unbalanced roof live loads have been considered for this design.
- Wind: ASCE 7-10; Vult=120mph (3-second gust) V(IRC2012)=95mph; TCCL=6.0psf; BCCL=6.0psf; h=20ft; B=45ft; L=24ft; eave=4ft; Cat II; Exp B; enclosed; MWFRS (directional); Lumber DOL=1.60 plate grip DOL=1.60
- Provide adequate drainage to prevent water ponding.
- This truss has been designed for a 10.0 psf bottom chord live load nonconcurrent with any other live loads.
- * This truss has been designed for a live load of 20.0psf on the bottom chord in all areas with a clearance greater than 6-0-0 between the bottom chord and any other members, with BCCL = 10.0psf.
- One H2.5 Simpson Strong-Tie connectors recommended to connect truss to bearing walls due to UPLIFT at jt(s) 15 and 9. This connection is for uplift only and does not consider lateral forces.
- "Semi-rigid pitchbreaks including heels" Member end fixity model was used in the analysis and design of this truss.
- Graphical purlin representation does not depict the size or the orientation of the purlin along the top and/or bottom chord.



March 20, 2020

<p>Design valid for use only with Mittek® connectors. This design is based only upon parameters shown, and is for an individual building component, not a truss system. Before use, the building designer must verify the applicability of design parameters and properly incorporate this design into the overall building design. Bracing indicated is to prevent buckling of individual truss web and/or chord members only. Additional temporary and permanent bracing is always required for stability and to prevent collapse with possible personal injury and property damage. For general guidance regarding the fabrication, storage, delivery, erection and bracing of trusses and truss systems, see ANSITP11 Quality Criteria, DSB-89 and BCSI Building Component Safety Information available from Truss Plate Institute, 218 N. Lee Street, Suite 312, Alexandria, VA 22314.</p>	<p>ENGINEERED BY TRENCO A LITTLE MORE</p> <p>818 Soundside Road Edenton, NC 27932</p>
---	--

Job 25003	Truss T06A	Truss Type HIP	Qty 6	Ply 1	J.Lee/Smith	140703195
--------------	---------------	-------------------	----------	----------	-------------	-----------

C&R Building Supply, Autryville NC

7.640 s Aug 16 2017 MITek Industries, Inc. Fri Mar 20 11:57:27 2020 Page 1

ID:sUu2KHxSWTaJrWPXBxQ9deZqon6-S2SG4L0FufQxxpIpfM0wGkVUgrQhtWR2L7eChzZ2U6

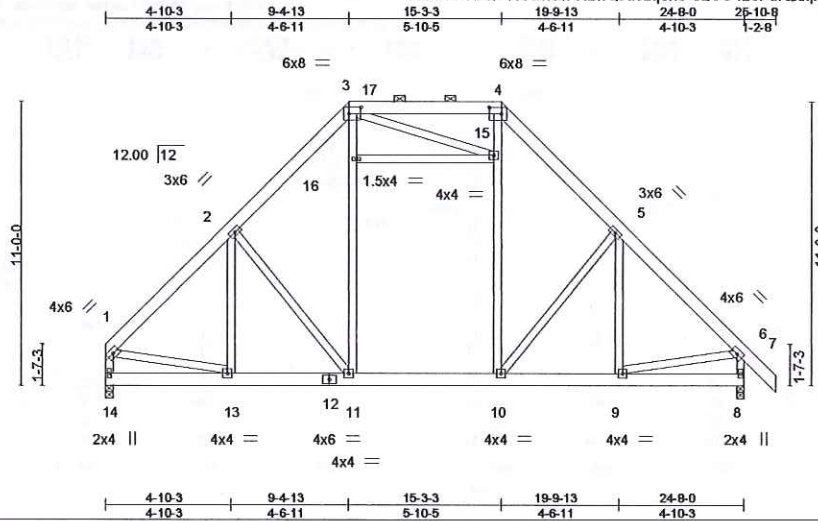


Plate Offsets (X,Y)- [3:0-5-8,0-3-0], [4:0-5-8,0-3-0]

LOADING (psf)	SPACING-	CSI.	DEFL.	in (loc)	l/defl	L/d	PLATES	GRIP
TCLL 20.0	2-0-0	TC 0.20	Vert(LL)	-0.05	11-13	>999	MT20	244/190
TCDL 10.0	Plate Grip DOL 1.15	BC 0.19	Vert(TL)	-0.07	11-13	>999		
BCLL 0.0 *	Lumber DOL 1.15	WB 0.25	Horz(TL)	0.01	8	n/a		
BCDL 10.0	Rep Stress Incr YES	(Matrix-M)	Wind(LL)	-0.04	11-13	>999	Weight 239 lb	FT = 20%
	Code IRC2012/TPI2007							

LUMBER-

TOP CHORD 2x6 SP No.1
 BOT CHORD 2x6 SP No.1
 WEBS 2x4 SP No.3

BRACING-

TOP CHORD Structural wood sheathing directly applied or 6-0-0 oc purlins, except end verticals, and 2-0-0 oc purlins (6-0-0 max.): 3-4.
 BOT CHORD Rigid ceiling directly applied or 10-0-0 oc bracing.

REACTIONS.

(size) 14=0-3-8, 8=0-3-8
 Max Horz 14=-190(LC 6)
 Max Uplift 8=-7(LC 8)
 Max Grav 14=973(LC 1), 8=1059(LC 1)

FORCES. (lb) - Max. Comp./Max. Ten. - All forces 250 (lb) or less except when shown.

TOP CHORD 1-2=-1006/18, 2-3=-891/101, 3-4=-594/103, 4-5=-889/99, 5-6=-1004/23, 1-14=922/1, 6-8=-1007/32
 BOT CHORD 11-13=0/771, 10-11=0/629, 9-10=0/650
 WEBS 11-16=-11/318, 3-16=-11/319, 10-15=-8/311, 4-15=-8/308, 1-13=0/596, 6-9=0/600

NOTES-

- Unbalanced roof live loads have been considered for this design.
- Wind: ASCE 7-10; Vult=120mph (3-second gust) V(IRC2012)=95mph; TCCL=6.0psf; BCCL=6.0psf; h=20ft; B=45ft; L=24ft; eave=4ft; Cat. II; Exp B; enclosed, MWFRS (directional); Lumber DOL=1.60 plate grip DOL=1.60
- Provide adequate drainage to prevent water ponding.
- This truss has been designed for a 10.0 psf bottom chord live load nonconcurrent with any other live loads.
- * This truss has been designed for a live load of 20.0psf on the bottom chord in all areas with a clearance greater than 6-0-0 between the bottom chord and any other members, with BCDL = 10.0psf.
- One H2.5 Simpson Strong-Tie connectors recommended to connect truss to bearing walls due to UPLIFT at jt(s) 14 and 8. This connection is for uplift only and does not consider lateral forces.
- "Semi-rigid pitchbreaks including heels" Member end fixity model was used in the analysis and design of this truss.
- Graphical purlin representation does not depict the size or the orientation of the purlin along the top and/or bottom chord.



March 20, 2020

Design valid for use only with MITek® connectors. This design is based only upon parameters shown, and is for an individual building component, not a truss system. Before use, the building designer must verify the applicability of design parameters and properly incorporate this design into the overall building design. Bracing indicated is to prevent buckling of individual truss web and/or chord members only. Additional temporary and permanent bracing is always required for stability and to prevent collapse with possible personal injury and property damage. For general guidance regarding the fabrication, storage, delivery, erection and bracing of trusses and truss systems, see ANS/TPH Quality Criteria, DSB-99 and BCSI Building Component Safety Information available from Truss Plate Institute, 218 N. Lee Street, Suite 312, Alexandria, VA 22314.

DESIGNED BY
TRENCO
 STRUCTURAL

818 Soundside Road
 Edenton, NC 27932

Job 25003	Truss T07	Truss Type HIP	Qty 1	Ply 2	J.Lee/Smith	I40703196
--------------	--------------	-------------------	----------	----------	-------------	-----------

C&R Building Supply, Atruyville NC 7.640 s Aug 16 2017 MITek Industries, Inc. Fri Mar 20 11:57:28 2020 Page 1
 ID:sUu2KHxSWTaJrWpXbXQ9dezqon6-wE0eHh1tFYyOzGVMNIFTUHfq49XQJobH?IBK7zZZU5

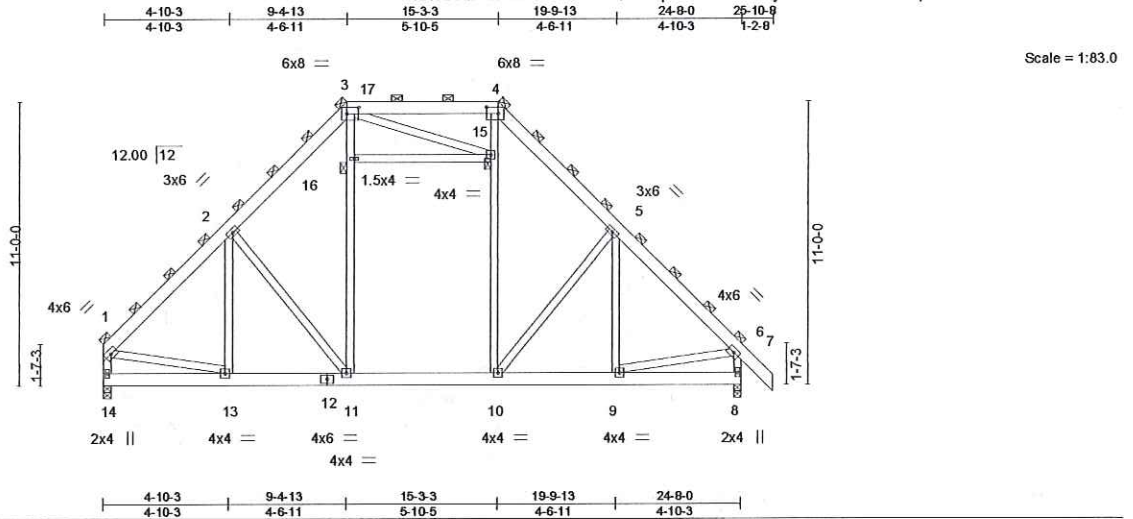


Plate Offsets (X, Y) -	[3-0-5-8, 0-3-0], [4-0-5-8, 0-3-0]				
LOADING (psf)	SPACING 5-0-0	CSI.	DEFL. in (loc) l/defl L/d	PLATES	GRIP
TCLL 20.0	Plate Grip DOL 1.15	TC 0.29	Vert(LL) -0.06 11-13 >999 360	MT20	244/190
TCDL 10.0	Lumber DOL 1.15	BC 0.26	Vert(TL) -0.08 11-13 >999 240		
BCLL 0.0 *	Rep Stress Incr NO	WB 0.31	Horz(TL) 0.01 8 n/a n/a		
BCDL 10.0	Code IRC2012/TP12007	(Matrix-M)	Wind(LL) -0.05 11-13 >999 240		
				Weight: 477 lb	FT = 20%

LUMBER-	BRACING-
TOP CHORD 2x6 SP No.1	TOP CHORD 2-0-0 oc purlins (6-0-0 max.), except end verticals (Switched from sheeted Spacing > 2-8-0).
BOT CHORD 2x6 SP No.1	BOT CHORD Rigid ceiling directly applied or 10-0-0 oc bracing.
WEBS 2x4 SP No.3	JOINTS 1 Brace at Jt(s): 3, 4, 15, 1, 6, 16


REACTIONS. (size) 14=0-3-8, 8=0-3-8
 Max Horz 14=-476(LC 6)
 Max Uplift 8=-18(LC 8)
 Max Grav 14=2432(LC 1), 8=2646(LC 1)

FORCES. (lb) - Max. Comp./Max. Ten. - All forces 250 (lb) or less except when shown.
 TOP CHORD 1-2=-2514/44, 2-3=-2227/252, 3-4=-1486/258, 4-5=-2222/248, 5-6=-2509/57, 1-14=-2304/4, 6-8=-2518/80
 BOT CHORD 13-14=-364/560, 11-13=0/1927, 10-11=0/1572, 9-10=0/1624
 WEBS 2-13=-276/192, 2-11=-562/231, 11-16=-277/94, 3-16=-277/98, 10-15=-217/78, 4-15=-217/70, 5-10=-534/228, 5-9=-283/193, 1-13=0/1490, 6-9=0/1500

- NOTES-**
- 2-ply truss to be connected together with 10d (0.131"x3") nails as follows:
 Top chords connected as follows: 2x6 - 2 rows staggered at 0-9-0 oc, 2x4 - 1 row at 0-9-0 oc.
 Bottom chords connected as follows: 2x6 - 2 rows staggered at 0-9-0 oc.
 Webs connected as follows: 2x4 - 1 row at 0-9-0 oc.
 - All loads are considered equally applied to all plies, except if noted as front (F) or back (B) face in the LOAD CASE(S) section. Ply to ply connections have been provided to distribute only loads noted as (F) or (B), unless otherwise indicated.
 - Unbalanced roof live loads have been considered for this design.
 - Wind: ASCE 7-10; Vult=120mph (3-second gust) V(IRC2012)=95mph; TCDL=6.0psf; BCDL=6.0psf; h=20ft; B=45ft; L=24ft; eave=4ft; Cat. II; Exp B; enclosed; MWFRS (directional); Lumber DOL=1.60 plate grip DOL=1.60
 - Provide adequate drainage to prevent water ponding.
 - This truss has been designed for a 10.0 psf bottom chord live load nonconcurrent with any other live loads.
 - * This truss has been designed for a live load of 20.0psf on the bottom chord in all areas with a clearance greater than 6-0-0 between the bottom chord and any other members, with BCDL = 10.0psf.
 - One H2.5 Simpson Strong-Tie connectors recommended to connect truss to bearing walls due to UPLIFT at jt(s) 14 and 8. This connection is for uplift only and does not consider lateral forces.
 - "Semi-rigid pitchbreaks including heels" Member end fixity model was used in the analysis and design of this truss.
 - Graphical purlin representation does not depict the size or the orientation of the purlin along the top and/or bottom chord.



March 20, 2020

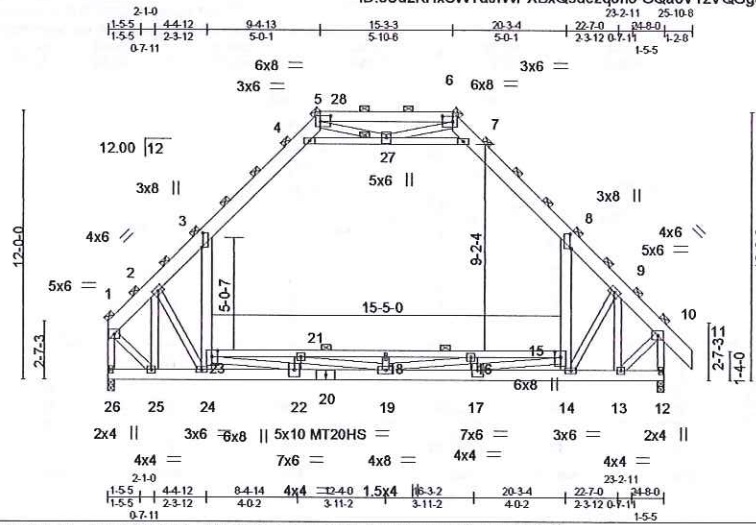
<p>Design valid for use only with MITek® connectors. This design is based only upon parameters shown, and is for an individual building component, not a truss system. Before use, the building designer must verify the applicability of design parameters and properly incorporate this design into the overall building design. Bracing indicated is to prevent buckling of individual truss web and/or chord members only. Additional temporary and permanent bracing is always required for stability and to prevent collapse with possible personal injury and property damage. For general guidance regarding the fabrication, storage, delivery, erection and bracing of trusses and truss systems, see ANS/TP1 Quality Criteria, DSB-89 and BCSI Building Component Safety Information available from Truss Plate Institute, 218 N. Lee Street, Suite 312, Alexandria, VA 22314.</p>	 <p>818 Soundside Road Edenton, NC 27932</p>
---	---

Job 25003	Truss T08	Truss Type PIGGYBACK ATTIC	Qty 1	Ply 2	J.Lee/Smith	140703197
--------------	--------------	-------------------------------	----------	----------	-------------	-----------

C&R Building Supply, Autryville NC

7.640 s Aug 16 2017 MITek Industries, Inc. Fri Mar 20 11:57:29 2020 Page 1

ID:sUu2KHxSWTajrWPXBxQ9dezqon6-CQa0V12VQGgeA7rhw4OU7hpmiULe9dKkVckGZZ2U4



Scale: 1/8"=1'

Plate Offsets (X,Y)- [3:0-7-12,0-0-8], [5:0-5-8,0-3-0], [6:0-5-8,0-3-0], [8:0-7-12,0-0-8], [15:0-3-4,0-3-0], [23:0-3-4,0-3-0]

LOADING (psf)	SPACING-	CS.I.	DEFL.	in (loc)	l/defl	L/d	PLATES	GRIP
TCLL 20.0	Plate Grip DOL 1.15	TC 0.54	Vert(LL)	-0.34	18	>868	MT20	197/144
TCDL 10.0	Lumber DOL 1.15	BC 0.91	Vert(TL)	-0.61	18	>477	MT20HS	187/143
BCLL 0.0 *	Rep Stress Incr NO	WB 0.87	Horz(TL)	0.03	12	n/a		
BCDL 10.0	Code IRC2012/TPI2007	(Matrix-M)	Wind(LL)	-0.08	22-24	>999		
							Weight: 571 lb	FT = 20%

LUMBER-

TOP CHORD 2x8 SP 2400F 2.0E *Except*
5-6: 2x6 SP No.1
BOT CHORD 2x6 SP 2400F 2.0E *Except*
15-23: 2x4 SPF 2700F 2.0E
WEBS 2x4 SP No.3 *Except*
3-24,8-14: 2x6 SP No.1
4-7,1-26,10-12,22-23,19-21,16-19,15-17: 2x4 SP No.2

BRACING-

TOP CHORD 2-0-0 oc purlins (6-0-0 max.), except end verticals
(Switched from sheeted. Spacing > 2-8-0).
BOT CHORD Rigid ceiling directly applied or 10-0-0 oc bracing. Except:
5-10-0 oc bracing: 15-23
JOINTS 1 Brace at Jt(s): 1, 5, 6, 27, 10

REACTIONS.

(size) 26=0-3-8, 12=0-3-8
Max Horz 26=-657(LC 6)
Max Grav 26=3967(LC 14), 12=4169(LC 15)

FORCES. (lb) - Max. Comp./Max. Ten. - All forces 250 (lb) or less except when shown.

TOP CHORD 1-2=-2619/0, 2-3=-4068/0, 3-4=-2446/324, 4-5=-410/1094, 6-7=-413/1095,
7-8=-2449/321, 8-9=-4046/0, 9-10=-2659/67, 5-6=0/1733, 1-26=-3806/0, 10-12=-4006/0
BOT CHORD 25-26=-595/682, 24-25=-46/2372, 22-24=-257/2563, 19-22=0/7549, 17-19=0/7481,
14-17=0/2051, 13-14=0/1856, 21-23=-5672/0, 18-21=-7981/0, 16-18=-7981/0,
15-16=-5661/0
WEBS 23-24=0/872, 3-23=0/2725, 14-15=-17/861, 8-15=0/2713, 4-27=-4029/325,
7-27=-4039/314, 5-27=-158/681, 6-27=-153/691, 18-19=-869/0, 21-22=-1496/0,
16-17=-1499/0, 22-23=0/6139, 19-21=0/2449, 16-19=0/2500, 15-17=0/6140, 2-25=-2633/0,
1-25=0/2670, 2-24=-300/779, 9-13=-2661/0, 9-14=-283/841, 10-13=0/2624

NOTES-

- 2-ply truss to be connected together with 10d (0.131"x3") nails as follows:
Top chords connected as follows: 2x8 - 2 rows staggered at 0-9-0 oc, 2x6 - 2 rows staggered at 0-9-0 oc, 2x4 - 1 row at 0-9-0 oc.
Bottom chords connected as follows: 2x6 - 2 rows staggered at 0-9-0 oc, 2x4 - 1 row at 0-9-0 oc.
Webs connected as follows: 2x6 - 2 rows staggered at 0-9-0 oc, 2x4 - 1 row at 0-9-0 oc.
- All loads are considered equally applied to all plies, except if noted as front (F) or back (B) face in the LOAD CASE(S) section. Ply to ply connections have been provided to distribute only loads noted as (F) or (B), unless otherwise indicated.
- Unbalanced roof live loads have been considered for this design.
- Wind: ASCE 7-10; Vult=140mph (3-second gust) V(IRC2012)=111mph; TCCL=6.0psf, BCCL=6.0psf, h=20ft; B=45ft; L=25ft; eave=4ft; Cat. II; Exp B; enclosed; MWFRS (directional); Lumber DOL=1.60 plate grip DOL=1.60
- Provide adequate drainage to prevent water ponding.
- All plates are MT20 plates unless otherwise indicated.
- This truss has been designed for a 10.0 psf bottom chord live load nonconcurrent with any other live loads.
- * This truss has been designed for a live load of 20.0psf on the bottom chord in all areas with a clearance greater than 6-0-0 between the bottom chord and any other members.
- Ceiling dead load (5.0 psf) on member(s). 3-4, 7-8, 4-27, 7-27
- Bottom chord live load (40.0 psf) and additional bottom chord dead load (0.0 psf) applied only to room. 21-23, 18-21, 16-18, 15-16
- "Semi-rigid pitchbreaks including heels" Member end fixity model was used in the analysis and design of this truss.
- Graphical purlin representation does not depict the size or the orientation of the purlin along the top and/or bottom chord.
- Attic room checked for L/360 deflection.



March 20, 2020

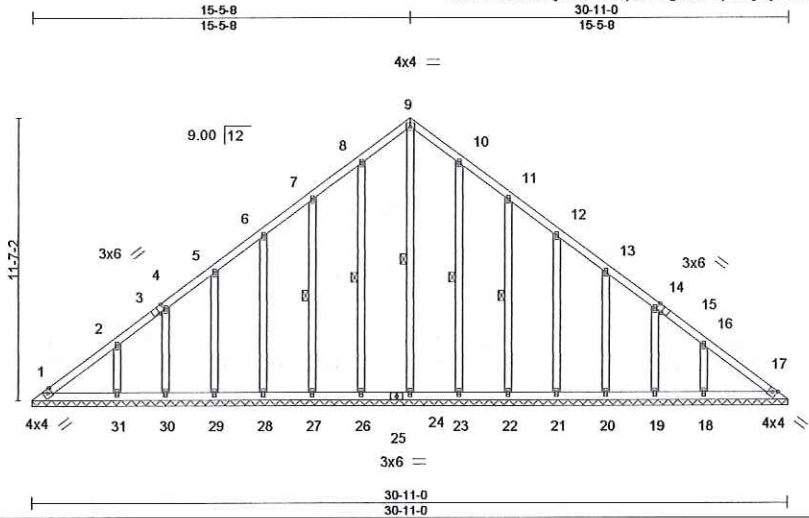
Design valid for use only with MITek® connectors. This design is based only upon parameters shown, and is for an individual building component, not a truss system. Before use, the building designer must verify the applicability of design parameters and properly incorporate this design into the overall building design. Bracing indicated is to prevent buckling of individual truss web and/or chord members only. Additional temporary and permanent bracing is always required for stability and to prevent collapse with possible personal injury and property damage. For general guidance regarding the fabrication, storage, delivery, erection and bracing of trusses and truss systems, see ANSITP1 Quality Criteria, DSB-89 and BCSI Building Component Safety Information available from Truss Plate Institute, 218 N. Lee Street, Suite 312, Alexandria, VA 22314.



818 Soundside Road
Edenton, NC 27932

Job 25003	Truss V01	Truss Type GABLE	Qty 1	Ply 1	J.Lee/Smith	I40703198
--------------	--------------	---------------------	----------	----------	-------------	-----------

C&R Building Supply, Autryville NC 7.640 s Aug 16 2017 MITek Industries, Inc. Fri Mar 20 11:57:31 2020 Page 1
 ID:X3nn1UC9Hjmb1z81lqzaJvzgHh3-Kpinwj3lytwMPR?42VQy46vD5HEldjj1zy5rLszZ2U2



Scale = 1:87.8

Plate Offsets (X,Y)-	[3:0-2-13,Edge], [15:0-2-13,Edge]							
LOADING (psf)	SPACING - 2-0-0	CSI.	DEFL.	in (loc)	l/defl	L/d	PLATES	GRIP
TCLL 20.0	Plate Grip DOL 1.15	TC 0.10	Vert(LL)	n/a	-	n/a	MT20	244/190
TCDL 10.0	Lumber DOL 1.15	BC 0.07	Vert(TL)	n/a	-	n/a		
BCLL 0.0 *	Rep Stress Incr YES	WB 0.11	Horz(TL)	0.01	17	n/a		
BCDL 10.0	Code IRC2012/TPI2007	(Matrix)					Weight: 222 lb	FT = 20%

LUMBER-
 TOP CHORD 2x4 SP No.2
 BOT CHORD 2x4 SP No.2
 OTHERS 2x4 SP No.3

BRACING-
 TOP CHORD Structural wood sheathing directly applied or 6-0-0 oc purlins.
 BOT CHORD Rigid ceiling directly applied or 10-0-0 oc bracing.
 WEBS 1 Row at midpt 9-24, 8-26, 7-27, 10-23, 11-22

REACTIONS. All bearings 30-11-0.
 (lb) - Max Horz 1=-191(LC 6)
 Max Uplift All uplift 100 lb or less at joint(s) 1, 26, 27, 28, 29, 30, 31, 23, 22, 21, 20, 19, 18
 Max Grav All reactions 250 lb or less at joint(s) 1, 24, 26, 27, 28, 29, 30, 23, 22, 21, 20, 19, 17 except
 31=252(LC 13), 18=252(LC 14)

FORCES. (lb) - Max. Comp./Max. Ten. - All forces 250 (lb) or less except when shown.

- NOTES-**
- Unbalanced roof live loads have been considered for this design.
 - Wind: ASCE 7-10; Vult=120mph (3-second gust) V(IRC2012)=95mph; TCCL=6.0psf; BCDL=6.0psf; h=20ft; B=45ft; L=24ft; eave=4ft; Cat. II; Exp B; enclosed; MWFRS (directional); Lumber DOL=1.60 plate grip DOL=1.60
 - All plates are 1.5x4 MT20 unless otherwise indicated.
 - Gable requires continuous bottom chord bearing.
 - This truss has been designed for a 10.0 psf bottom chord live load nonconcurrent with any other live loads.
 - * This truss has been designed for a live load of 20.0psf on the bottom chord in all areas with a clearance greater than 6-0-0 between the bottom chord and any other members, with BCDL = 10.0psf.
 - N/A
 - "Semi-rigid pitchbreaks including heels" Member end fixity model was used in the analysis and design of this truss.



March 20, 2020

Design valid for use only with MITek® connectors. This design is based only upon parameters shown, and is for an individual building component, not a truss system. Before use, the building designer must verify the applicability of design parameters and properly incorporate this design into the overall building design. Bracing indicated is to prevent buckling of individual truss web and/or chord members only. Additional temporary and permanent bracing is always required for stability and to prevent collapse with possible personal injury and property damage. For general guidance regarding the fabrication, storage, delivery, erection and bracing of trusses and truss systems, see ANSV/TPI1 Quality Criteria, DSB-89 and BCSI Building Component Safety Information available from Truss Plate Institute, 218 N. Lee Street, Suite 312, Alexandria, VA 22314.

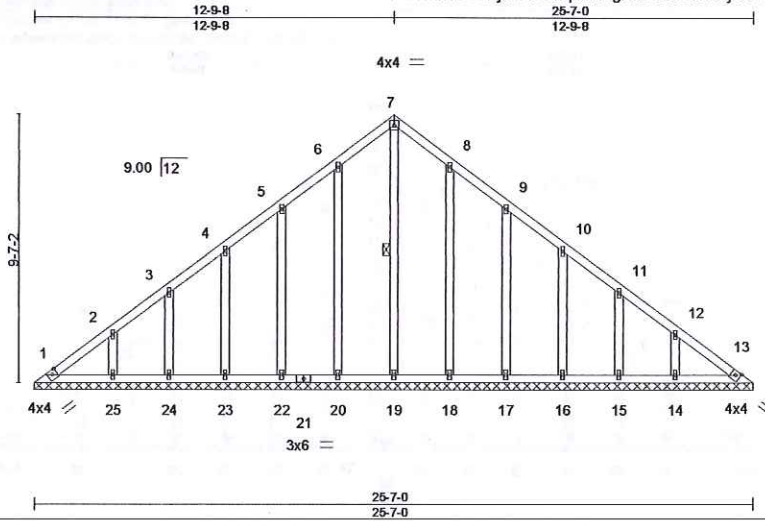
ENGINEERED BY
TRENCO
 A TRUSS COMPANY
 818 Soundside Road
 Edenton, NC 27932

Job 25003	Truss V02	Truss Type GABLE	Qty 1	Ply 1	J.Lee/Smith	140703199
--------------	--------------	---------------------	----------	----------	-------------	-----------

C&R Building Supply, Atryville NC

7.640 s Aug 16 2017 MITek Industries, Inc. Fri Mar 20 11:57:32 2020 Page 1

ID:X3nn1UC9HjmB1z81IqzaJvzgHh3-o?F9724NjB2D1aaGbCxBdKRPQhauM9HABcrPluzZ2U1



Scale = 1:76.6

LOADING (psf)	SPACING-	CSI.	DEFL.	PLATES	GRIP
TCLL 20.0	2-0-0	TC 0.06	in (loc) l/defl L/d	MT20	244/190
TCDL 10.0	Plate Grip DOL 1.15	BC 0.04	Vert(LL) n/a - n/a 999		
BCLL 0.0 *	Lumber DOL 1.15	WB 0.15	Vert(TL) n/a - n/a 999		
BCDL 10.0	Rep Stress Incr YES	(Matrix)	Horz(TL) 0.00 13 n/a n/a		
	Code IRC2012/TPI2007			Weight: 165 lb	FT = 20%

LUMBER-

TOP CHORD 2x4 SP No.2
 BOT CHORD 2x4 SP No.2
 OTHERS 2x4 SP No.3

BRACING-

TOP CHORD Structural wood sheathing directly applied or 6-0-0 oc purlins.
 BOT CHORD Rigid ceiling directly applied or 10-0-0 oc bracing.
 WEBS 1 Row at midpt 7-19

REACTIONS.

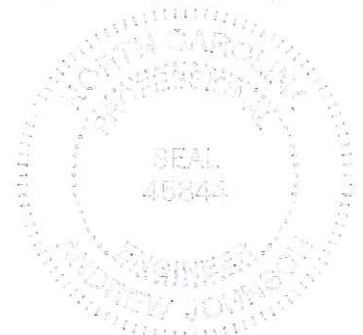
All bearings 25-7-0.
 (lb) - Max Horz 1=157(LC 7)
 Max Uplift All uplift 100 lb or less at joint(s) 1, 20, 22, 23, 24, 25, 18, 17, 16, 15, 14
 Max Grav All reactions 250 lb or less at joint(s) 1, 13, 19, 20, 22, 23, 24, 25, 18, 17, 16, 15, 14

FORCES.

(lb) - Max. Comp./Max. Ten. - All forces 250 (lb) or less except when shown.

NOTES-

- Unbalanced roof live loads have been considered for this design.
- Wind: ASCE 7-10; Vult=120mph (3-second gust) V(IRC2012)=95mph; TCDL=6.0psf; BCCL=6.0psf; h=20ft; B=45ft; L=24ft; eave=4ft; Cat. II; Exp B; enclosed; MWFRS (directional); Lumber DOL=1.60 plate grip DOL=1.60
- All plates are 1.5x4 MT20 unless otherwise indicated.
- Gable requires continuous bottom chord bearing.
- This truss has been designed for a 10.0 psf bottom chord live load nonconcurrent with any other live loads.
- * This truss has been designed for a live load of 20.0psf on the bottom chord in all areas with a clearance greater than 6-0-0 between the bottom chord and any other members, with BCCL = 10.0psf.
- N/A
- "Semi-rigid pitchbreaks including heels" Member end fixity model was used in the analysis and design of this truss.



March 20, 2020

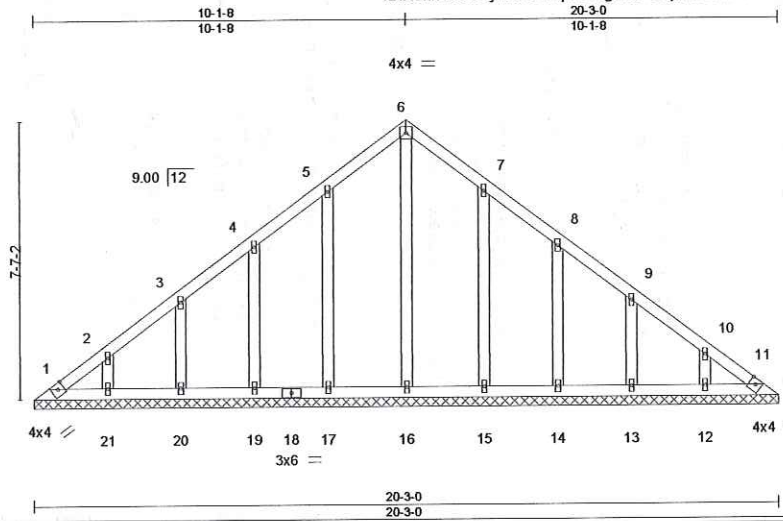
Design valid for use only with MITek® connectors. This design is based only upon parameters shown, and is for an individual building component, not a truss system. Before use, the building designer must verify the applicability of design parameters and properly incorporate this design into the overall building design. Bracing indicated is to prevent buckling of individual truss web and/or chord members only. Additional temporary and permanent bracing is always required for stability and to prevent collapse with possible personal injury and property damage. For general guidance regarding the fabrication, storage, delivery, erection and bracing of trusses and truss systems, see ANSI/TPI Quality Criteria, DSB-89 and BCSI Building Component Safety Information available from Truss Plate Institute, 218 N. Lee Street, Suite 312, Alexandria, VA 22314.

ENGINEERED BY
TRENCO
 818 Soundside Road
 Edenton, NC 27932

Job 25003	Truss V03	Truss Type GABLE	Qty 1	Ply 1	J.Lee/Smith Job Reference (optional)	140703200
--------------	--------------	---------------------	----------	----------	---	-----------

C&R Building Supply, Autryville NC

7.640 s Aug 16 2017 MITek Industries, Inc. Fri Mar 20 11:57:33 2020 Page 1
ID:X3nn1UC9HjmB1z81qzaJvzgHh3-GBpXKO5?UVB4fk8S9wTQAX_aN5wz5dKQKGayPLz2U0



Scale = 1:58.4

LOADING (psf)	SPACING-	2-0-0	CSI.	DEFL.	in	(loc)	l/defl	L/d	PLATES	GRIP
TCLL 20.0	Plate Grip DOL	1.15	TC 0.05	Vert(LL)	n/a	-	n/a	999	MT20	244/190
TCDL 10.0	Lumber DOL	1.15	BC 0.05	Vert(TL)	n/a	-	n/a	999		
BCLL 0.0 *	Rep Stress Incr	YES	WB 0.09	Horz(TL)	0.00	11	n/a	n/a		
BCDL 10.0	Code IRC2012/TPI2007		(Matrix)						Weight: 115 lb	FT = 20%

LUMBER-

TOP CHORD 2x4 SP No.2
BOT CHORD 2x4 SP No.2
OTHERS 2x4 SP No.3

BRACING-

TOP CHORD Structural wood sheathing directly applied or 6-0-0 oc purlins.
BOT CHORD Rigid ceiling directly applied or 10-0-0 oc bracing.

REACTIONS.

All bearings 20-3-0.
(lb) - Max Horz 1=-123(LC 6)
Max Uplift All uplift 100 lb or less at joint(s) 1, 12, 13, 14, 15, 21, 20, 19, 17
Max Grav All reactions 250 lb or less at joint(s) 1, 11, 16, 12, 13, 14, 15, 21, 20, 19, 17

FORCES. (lb) - Max. Comp./Max. Ten. - All forces 250 (lb) or less except when shown.

NOTES-

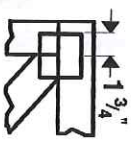
- Unbalanced roof live loads have been considered for this design.
- Wind: ASCE 7-10; Vult=120mph (3-second gust) V(IRC2012)=95mph; TC DL=6.0psf, BCDL=6.0psf; h=20ft; B=45ft; L=24ft; eave=4ft; Cat. II; Exp B; enclosed; MWFRS (directional); Lumber DOL=1.60 plate grip DOL=1.60
- All plates are 1.5x4 MT20 unless otherwise indicated.
- Gable requires continuous bottom chord bearing.
- This truss has been designed for a 10.0 psf bottom chord live load nonconcurrent with any other live loads.
- * This truss has been designed for a live load of 20.0psf on the bottom chord in all areas with a clearance greater than 6-0-0 between the bottom chord and any other members, with BCDL = 10.0psf.
- N/A
- "Semi-rigid pitchbreaks including heels" Member end fixity model was used in the analysis and design of this truss.



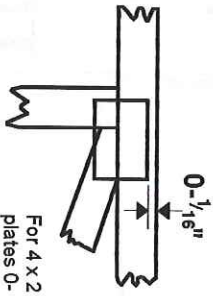
March 20, 2020

Symbols

PLATE LOCATION AND ORIENTATION



Center plate on joint unless x, y offsets are indicated. Dimensions are in ft-in-sixteenths. Apply plates to both sides of truss and fully embed teeth.



For 4 x 2 orientation, locate plates 0- $\frac{1}{16}$ " from outside edge of truss.



This symbol indicates the required direction of slots in connector plates.

* Plate location details available in MITek 2020 software or upon request.

PLATE SIZE

4 X 4

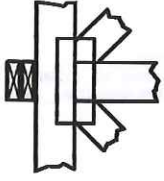
The first dimension is the plate width measured perpendicular to slots. Second dimension is the length parallel to slots.

LATERAL BRACING LOCATION



Indicated by symbol shown and/or by text in the bracing section of the output. Use T or I bracing if indicated.

BEARING

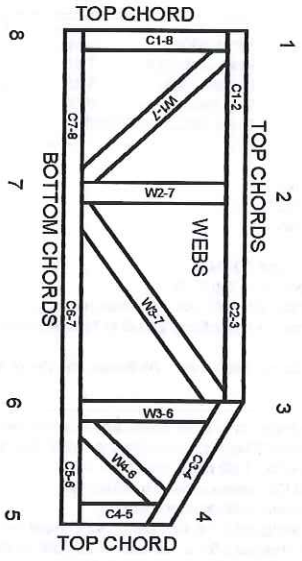


Indicates location where bearings (supports) occur. Icons vary but reaction section indicates joint number where bearings occur. Min size shown is for crushing only.

Industry Standards:

- ANSI/TPI1: National Design Specification for Metal Plate Connected Wood Truss Construction.
- DSB-89: Design Standard for Bracing.
- BCSI: Building Component Safety Information, Guide to Good Practice for Handling, Installing & Bracing of Metal Plate Connected Wood Trusses.

Numbering System



JOINTS ARE GENERALLY NUMBERED ALPHABETICALLY CLOCKWISE AROUND THE TRUSS STARTING AT THE JOINT FARTHEST TO THE LEFT.

CHORDS AND WEBS ARE IDENTIFIED BY END JOINT NUMBERS/LETTERS.

PRODUCT CODE APPROVALS

- ICC-ES Reports:
- ESR-1311, ESR-1352, ESR1968
 - ER-3907, ESR-2362, ESR-1397, ESR-3282

Trusses are designed for wind loads in the plane of the truss unless otherwise shown.

Lumber design values are in accordance with ANSI/TPI 1 section 6.3 These truss designs rely on lumber values established by others.

© 2012 MITek® All Rights Reserved



MITek Engineering Reference Sheet: MI-17473 rev. 10/03/2015

General Safety Notes

Failure to Follow Could Cause Property Damage or Personal Injury

- Additional stability bracing for truss system, e.g. diagonal or X-bracing, is always required. See BCSI.
- Truss bracing must be designed by an engineer. For wide truss spacing, individual lateral braces themselves may require bracing, or alternative T or I bracing should be considered.
- Never exceed the design loading shown and never stack materials on inadequately braced trusses.
- Provide copies of this truss design to the building designer, erection supervisor, property owner and all other interested parties.
- Cut members to bear tightly against each other.
- Place plates on each face of truss at each joint and embed fully. Knots and wane at joint locations are regulated by ANSI/TPI 1.
- Design assumes trusses will be suitably protected from the environment in accord with ANSI/TPI 1.
- Unless otherwise noted, moisture content of lumber shall not exceed 19% at time of fabrication.
- Unless expressly noted, this design is not applicable for use with fire retardant, preservative treated, or green lumber.
- Camber is a non-structural consideration and is the responsibility of truss fabricator. General practice is to camber for dead load deflection.
- Plate type, size, orientation and location dimensions indicated are minimum plating requirements.
- Lumber used shall be of the species and size, and in all respects, equal to or better than that specified.
- Top chords must be sheathed or purlins provided at spacing indicated on design.
- Bottom chords require lateral bracing at 10 ft. spacing, or less, if no ceiling is installed, unless otherwise noted.
- Connections not shown are the responsibility of others.
- Do not cut or alter truss member or plate without prior approval of an engineer.
- Install and load vertically unless indicated otherwise.
- Use of green or treated lumber may pose unacceptable environmental, health or performance risks. Consult with project engineer before use.
- Review all portions of this design (front, back, words and pictures) before use. Reviewing pictures alone is not sufficient.
- Design assumes manufacture in accordance with ANSI/TPI 1 Quality Criteria.

Job 25003	Truss GE05	Truss Type GABLE	Qty 1	Ply 1	J.Lee/Smith	I40703176
--------------	---------------	---------------------	----------	----------	-------------	-----------

C&R Building Supply, Autryville NC

7.640 s Aug 16 2017 MiTek Industries, Inc. Fri Mar 20 11:57:08 2020 Page 1

ID:sUu2KHxSWTArJrWPXBxQ9deZqn6-VOp45rnKNp1d9ukfBAWZfGSFs0MSkJzegt171HzZ2UP



4x4 =

Scale = 1:73.6

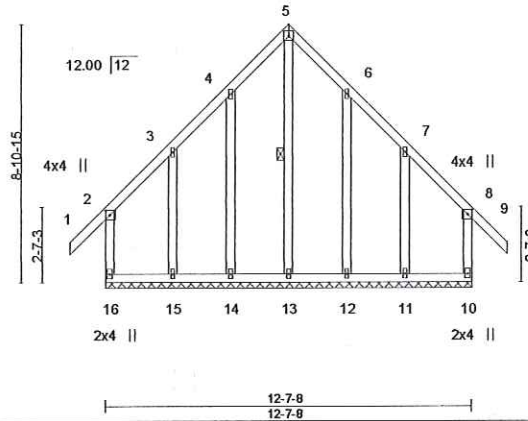


Plate Offsets (X,Y)- [2.0-2.0,0-1-12], [7.0-0.0,0-0-0], [8.0-2.0,0-1-12]

LOADING (psf)	SPACING-	CSI.	DEFL.	in (loc)	l/defl	L/d	PLATES	GRIP
TCLL 20.0	2-0-0	TC 0.29	Vert(LL)	-0.01	9	n/r	MT20	244/190
TCDL 10.0	Plate Grip DOL 1.15	BC 0.16	Vert(TL)	-0.01	9	n/r		
BCLL 0.0 *	Lumber DOL 1.15	WB 0.11	Horz(TL)	0.00	10	n/a		
BCDL 10.0	Rep Stress Incr NO	(Matrix)						
	Code IRC2012/TPI2007						Weight: 102 lb	FT = 20%

LUMBER-

TOP CHORD 2x4 SP No.2
 BOT CHORD 2x4 SP No.2
 WEBS 2x4 SP No.3
 OTHERS 2x4 SP No.3

BRACING-

TOP CHORD Structural wood sheathing directly applied or 6-0-0 oc purlins, except end verticals.
 BOT CHORD Rigid ceiling directly applied or 6-0-0 oc bracing.
 WEBS 1 Row at midpt 5-13

REACTIONS.

All bearings 12-7-8.
 (lb) - Max Horz 16=140(LC 7)
 Max Uplift All uplift 100 lb or less at joint(s) 16, 10, 14, 15, 12, 11
 Max Grav All reactions 250 lb or less at joint(s) 16, 10, 14, 12 except 13=287(LC 8), 15=290(LC 13), 11=289(LC 14)

FORCES. (lb) - Max. Comp./Max. Ten. - All forces 250 (lb) or less except when shown.

WEBS 5-13=-264/0

NOTES-

- Unbalanced roof live loads have been considered for this design.
- Wind: ASCE 7-10; Vult=120mph (3-second gust) V(IRC2012)=95mph; TCCL=6.0psf; BCCL=6.0psf; h=20ft; B=45ft; L=24ft; eave=2ft; Cat II; Exp B; enclosed; MWFRS (directional); Lumber DOL=1.60 plate grip DOL=1.60
- Truss designed for wind loads in the plane of the truss only. For studs exposed to wind (normal to the face), see Standard Industry Gable End Details as applicable, or consult qualified building designer as per ANSI/TPI 1.
- All plates are 1.5x4 MT20 unless otherwise indicated.
- Gable requires continuous bottom chord bearing.
- Truss to be fully sheathed from one face or securely braced against lateral movement (i.e. diagonal web).
- Gable studs spaced at 2-0-0 oc.
- This truss has been designed for a 10.0 psf bottom chord live load nonconcurrent with any other live loads.
- * This truss has been designed for a live load of 20.0psf on the bottom chord in all areas with a clearance greater than 6-0-0 between the bottom chord and any other members, with BCCL = 10.0psf.
- N/A

11) "Semi-rigid pitchbreaks including heels" Member end fixity model was used in the analysis and design of this truss.



March 20, 2020



Design valid for use only with MiTek® connectors. This design is based only upon parameters shown, and is for an individual building component, not a truss system. Before use, the building designer must verify the applicability of design parameters and properly incorporate this design into the overall building design. Bracing indicated is to prevent buckling of individual truss web and/or chord members only. Additional temporary and permanent bracing is always required for stability and to prevent collapse with possible personal injury and property damage. For general guidance regarding the fabrication, storage, delivery, erection and bracing of trusses and truss systems, see ANSITPH Quality Criteria, DSB-89 and BCSI Building Component Safety Information available from Truss Plate Institute, 218 N. Lee Street, Suite 312, Alexandria, VA 22314.



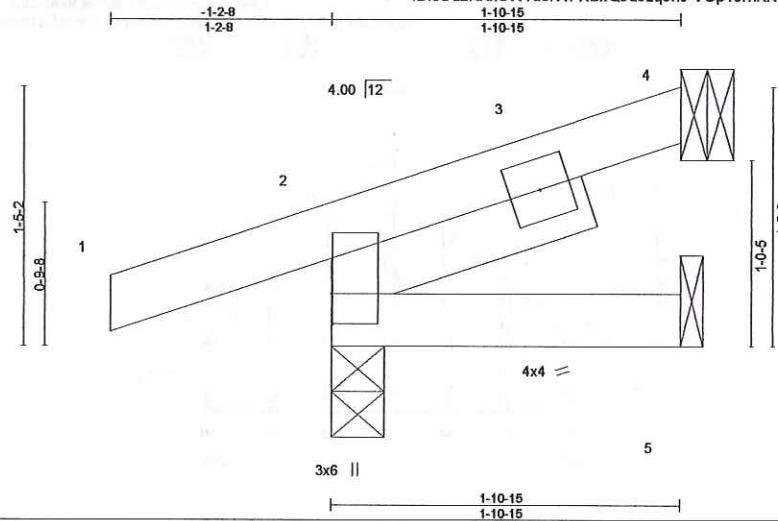
818 Soundside Road
 Edenton, NC 27932

Job 25003	Truss J01	Truss Type JACK	Qty 4	Ply 1	J.Lee/Smith	140703177
--------------	--------------	--------------------	----------	----------	-------------	-----------

C&R Building Supply, Autryville NC

7.640 s Aug 16 2017 MITek Industries, Inc. Fri Mar 20 11:57:08 2020 Page 1

ID:sUuzKHxSWTaJrWPXBxQ9dezqon6-VOP45rnKNp1d9ukfBAWZfGSiz0OdkKfegt171HzZ2UP



Scale = 1:11.7

Plate Offsets (X,Y) - [2:0-2-0,0-0-1]

LOADING (psf)	SPACING-	CSI.	DEFL.	in	(loc)	l/defl	L/d	PLATES	GRIP
TCLL 20.0	2-0-0	TC 0.10	Vert(LL)	-0.00	8	>999	360	MT20	244/190
TCDL 10.0	Plate Grip DOL 1.15	BC 0.02	Vert(TL)	-0.00	8	>999	240		
BCLL 0.0 *	Lumber DOL 1.15	WB 0.00	Horz(TL)	0.00	2	n/a	n/a		
BCDL 10.0	Rep Stress Incr YES	(Matrix-M)	Wind(LL)	0.00	8	>999	240		
	Code IRC2012/TPI2007							Weight: 10 lb	FT = 20%

LUMBER-
 TOP CHORD 2x4 SP No.2
 BOT CHORD 2x4 SP No.2
 SLIDER Left 2x4 SP No.3 1-6-0

BRACING-
 TOP CHORD Structural wood sheathing directly applied or 1-10-15 oc purlins.
 BOT CHORD Rigid ceiling directly applied or 10-0-0 oc bracing.

REACTIONS. (size) 4=Mechanical, 2=0-3-8, 5=Mechanical
 Max Horz 2=28(LC 8)
 Max Uplift 4=-6(LC 8), 2=-25(LC 8)
 Max Grav 4=36(LC 1), 2=171(LC 1), 5=30(LC 3)

FORCES. (lb) - Max. Comp./Max. Ten. - All forces 250 (lb) or less except when shown.

NOTES-

- 1) Wind: ASCE 7-10; Vult=120mph (3-second gust) V(IRC2012)=95mph; TCCL=6.0psf; BCCL=6.0psf; h=20ft; B=45ft; L=24ft; eave=4ft; Cat. II; Exp B; enclosed; MWFRS (directional); Lumber DOL=1.60 plate grip DOL=1.60
- 2) This truss has been designed for a 10.0 psf bottom chord live load nonconcurrent with any other live loads.
- 3) * This truss has been designed for a live load of 20.0psf on the bottom chord in all areas with a clearance greater than 6-0-0 between the bottom chord and any other members.
- 4) Refer to girder(s) for truss to truss connections.
- 5) Provide mechanical connection (by others) of truss to bearing plate capable of withstanding 100 lb uplift at joint(s) 4.
- 6) One H2.5 Simpson Strong-Tie connectors recommended to connect truss to bearing walls due to UPLIFT at it(s) 2. This connection is for uplift only and does not consider lateral forces.
- 7) "Semi-rigid pitchbreaks including heels" Member end fixity model was used in the analysis and design of this truss.



March 20, 2020

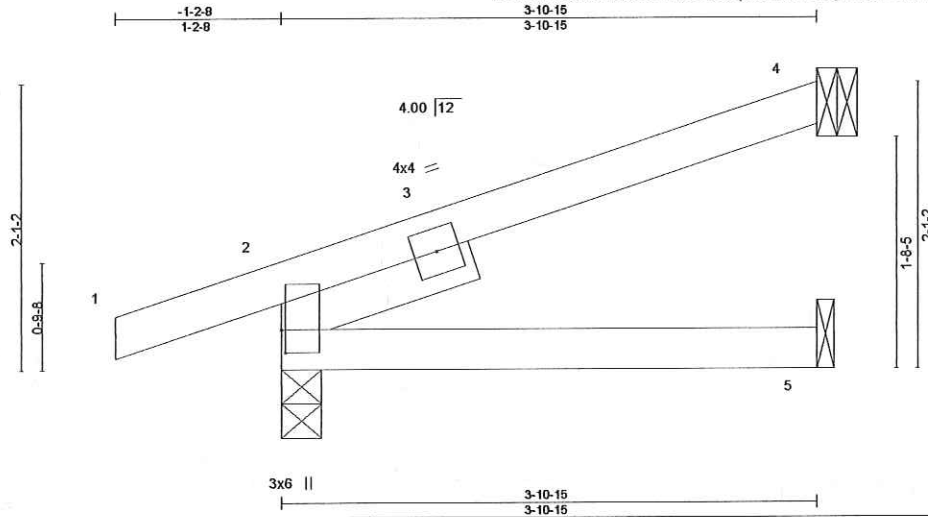
Design valid for use only with MITek® connectors. This design is based only upon parameters shown, and is for an individual building component, not a truss system. Before use, the building designer must verify the applicability of design parameters and properly incorporate this design into the overall building design. Bracing indicated is to prevent buckling of individual truss web and/or chord members only. Additional temporary and permanent bracing is always required for stability and to prevent collapse with possible personal injury and property damage. For general guidance regarding the fabrication, storage, delivery, erection and bracing of trusses and truss systems, see ANSITPI Quality Criteria, DSB-89 and BCSI Building Component Safety Information available from Truss Plate Institute, 218 N. Lee Street, Suite 312, Alexandria, VA 22314.

ENGINEERED BY
TRENCO
 818 Soundside Road
 Edenton, NC 27932

Job 25003	Truss J02	Truss Type JACK	Qty 4	Ply 1	J.Lee/Smith	140703178
--------------	--------------	--------------------	----------	----------	-------------	-----------

C&R Building Supply, Autryville NC

7.640 s Aug 16 2017 MiTek Industries, Inc. Fri Mar 20 11:57:09 2020 Page 1
 ID:sUu2KHxSWTajrWPXBxQ9deZqon6-zaNTIBoy779Um2Jrt1oBT_SiQI5TnvovXmhZkzZ2UO



Scale = 1:15.6

Plate Offsets (X,Y) - [2-0-2-0,0-0-5]

LOADING (psf)	SPACING-	2-0-0	CSI.	DEFL.	in (loc)	l/defl	L/d	PLATES	GRIP	
TCLL 20.0	Plate Grip DOL	1.15	TC 0.19	Vert(LL)	-0.01	5-8	>999	360	MT20	244/190
TCDL 10.0	Lumber DOL	1.15	BC 0.14	Vert(TL)	-0.02	5-8	>999	240		
BCLL 0.0 *	Rep Stress Incr	YES	WB 0.00	Horz(TL)	0.01	2	n/a	n/a		
BCDL 10.0	Code	IRC2012/TPI2007	(Matrix-M)	Wind(LL)	0.01	5-8	>999	240		
									Weight: 16 lb	FT = 20%

LUMBER-

TOP CHORD 2x4 SP No.2
 BOT CHORD 2x4 SP No.2
 SLIDER Left 2x4 SP No.3 1-6-0

BRACING-

TOP CHORD Structural wood sheathing directly applied or 3-10-15 oc purlins.
 BOT CHORD Rigid ceiling directly applied or 10-0-0 oc bracing.

REACTIONS.

(size) 4=Mechanical, 2=0-3-8, 5=Mechanical
 Max Horz 2=41(LC 8)
 Max Uplift 4=-16(LC 8), 2=-18(LC 8)
 Max Grav 4=95(LC 1), 2=236(LC 1), 5=68(LC 3)

FORCES. (lb) - Max. Comp./Max. Ten. - All forces 250 (lb) or less except when shown.

NOTES-

- 1) Wind: ASCE 7-10; Vult=120mph (3-second gust) V(IRC2012)=95mph; TCDL=6.0psf, BCDL=6.0psf, h=20ft, B=45ft, L=24ft, eave=4ft, Cat. II; Exp B; enclosed; MWFRS (directional); Lumber DOL=1.60 plate grip DOL=1.60
- 2) This truss has been designed for a 10.0 psf bottom chord live load nonconcurrent with any other live loads.
- 3) * This truss has been designed for a live load of 20.0psf on the bottom chord in all areas with a clearance greater than 6-0-0 between the bottom chord and any other members.
- 4) Refer to girder(s) for truss to truss connections.
- 5) Provide mechanical connection (by others) of truss to bearing plate capable of withstanding 100 lb uplift at joint(s) 4.
- 6) One H2.5 Simpson Strong-Tie connectors recommended to connect truss to bearing walls due to UPLIFT at it(s) 2. This connection is for uplift only and does not consider lateral forces.
- 7) "Semi-rigid pitchbreaks including heels" Member end fixity model was used in the analysis and design of this truss.



March 20, 2020

9

Design valid for use only with MiTek® connectors. This design is based only upon parameters shown, and is for an individual building component, not a truss system. Before use, the building designer must verify the applicability of design parameters and properly incorporate this design into the overall building design. Bracing indicated is to prevent buckling of individual truss web and/or chord members only. Additional temporary and permanent bracing is always required for stability and to prevent collapse with possible personal injury and property damage. For general guidance regarding the fabrication, storage, delivery, erection and bracing of trusses and truss systems, see ANSITPH Quality Criteria, DSB-89 and BCSI Building Component Safety Information available from Truss Plate Institute, 218 N. Lee Street, Suite 312, Alexandria, VA 22314.



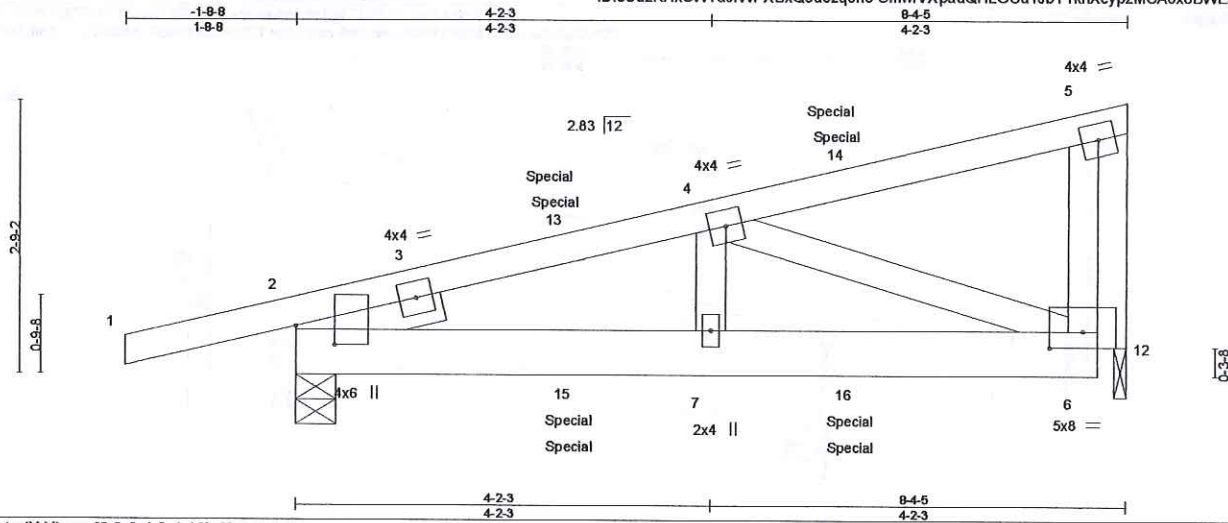
818 Soundside Road
 Edenton, NC 27932

Job 25003	Truss JR02	Truss Type MONOTRUSS	Qty 2	Ply 1	J.Lee/Smith	140703179
--------------	---------------	-------------------------	----------	----------	-------------	-----------

C&R Building Supply, Autryville NC

7.640 s Aug 16 2017 MITek Industries, Inc. Fri Mar 20 11:57:10 2020 Page 1

ID:sUu2KHxSWTajrWPXBxQ9dezqon6-SmwrVXpauQHLOCu1JbY1khXcyp2MCA0x8BWE5AzZ2UN



Scale = 1:21.6

Plate Offsets (X,Y) - [2:0-2-4,0-4-12], [6:0-4-0,0-2-0]

LOADING (psf)	SPACING-	CS.I.	DEFL.	PLATES	GRIP
TCLL 20.0	Plate Grip DOL 1.15	TC 0.13	in (loc) l/defl L/d	MT20	244/190
TCDL 10.0	Lumber DOL 1.15	BC 0.13	Vert(LL) -0.01 7 >999 360		
BCLL 0.0 *	Rep Stress Incr NO	WB 0.27	Vert(TL) -0.02 6-7 >999 240		
BCDL 10.0	Code IRC2012/TPI2007	(Matrix-M)	Horz(TL) 0.00 12 n/a n/a		
			Wind(LL) 0.01 7 >999 240	Weight: 50 lb	FT = 20%

LUMBER-
 TOP CHORD 2x4 SP 2400F 2.0E
 BOT CHORD 2x6 SP No.1
 WEBS 2x4 SP No.3 *Except*
 5-6: 2x4 SP No.2
 SLIDER Left 2x4 SP No.3 1-6-0

BRACING-
 TOP CHORD Structural wood sheathing directly applied or 6-0-0 oc purlins.
 BOT CHORD Rigid ceiling directly applied or 10-0-0 oc bracing.

REACTIONS. (size) 2=0-4-15, 12=0-1-8
 Max Horz 2=59(LC 4)
 Max Uplift 2=-24(LC 4), 12=-50(LC 5)
 Max Grav 2=402(LC 1), 12=720(LC 1)

FORCES. (lb) - Max. Comp./Max. Ten. - All forces 250 (lb) or less except when shown.
 TOP CHORD 2-4=-469/31
 BOT CHORD 2-7=-23/449, 6-7=-24/450
 WEBS 4-6=-347/18, 5-6=-39/640, 5-12=-730/51

- NOTES-**
- 1) Wind: ASCE 7-10; Vult=120mph (3-second gust) V(IRC2012)=95mph; TC DL=6.0psf; BCDL=6.0psf; h=20ft; B=45ft; L=24ft; eave=4ft; Cat. II; Exp B; enclosed; MWFRS (directional); Lumber DOL=1.60 plate grip DOL=1.60
 - 2) This truss has been designed for a 10.0 psf bottom chord live load nonconcurrent with any other live loads.
 - 3) * This truss has been designed for a live load of 20.0psf on the bottom chord in all areas with a clearance greater than 6-0-0 between the bottom chord and any other members.
 - 4) Bearing at joint(s) 12 considers parallel to grain value using ANSI/TPI 1 angle to grain formula. Building designer should verify capacity of bearing surface.
 - 5) Provide mechanical connection (by others) of truss to bearing plate at joint(s) 12.
 - 6) One H2.5 Simpson Strong-Tie connectors recommended to connect truss to bearing walls due to UPLIFT at jt(s) 2 and 12. This connection is for uplift only and does not consider lateral forces.
 - 7) "Semi-rigid pitchbreaks including heels" Member end fixity model was used in the analysis and design of this truss.
 - 8) Hanger(s) or other connection device(s) shall be provided sufficient to support concentrated load(s) 18 lb down and 48 lb up at 2-9-8, 18 lb down and 48 lb up at 2-9-8, and 15 lb down and 60 lb up at 5-7-7, and 15 lb down and 60 lb up at 5-7-7 on top chord, and 27 lb up at 2-9-8, 27 lb up at 2-9-8, 16 lb down and 7 lb up at 5-7-7, and 16 lb down and 7 lb up at 5-7-7, and 453 lb down and 59 lb up at 8-5-6 on bottom chord. The design/selection of such connection device(s) is the responsibility of others.
 - 9) In the LOAD CASE(S) section, loads applied to the face of the truss are noted as front (F) or back (B).

LOAD CASE(S) Standard
 1) Dead + Roof Live (balanced): Lumber Increase=1.15, Plate Increase=1.15
 Uniform Loads (plf)
 Vert: 1-5=60, 6-8=20
 Concentrated Loads (lb)
 Vert: 6=-453 13=97(F=48, B=48) 14=-21(F=-11, B=-11) 15=25(F=12, B=12) 16=-32(F=-16, B=-16)



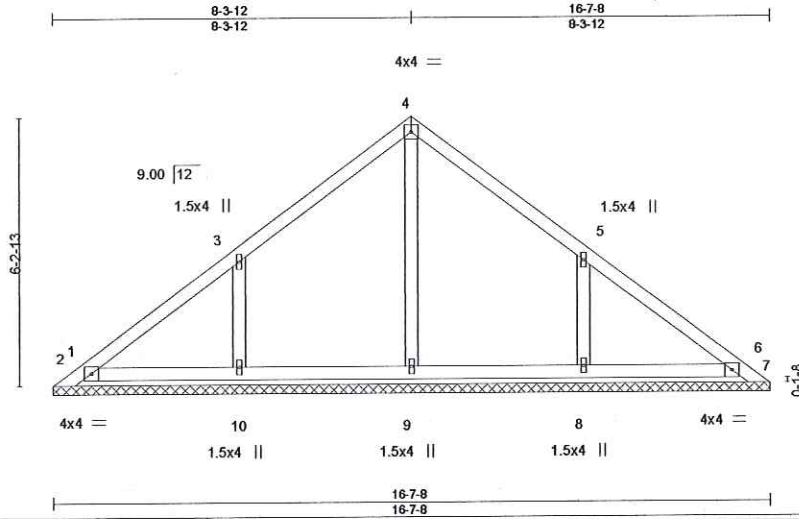
March 20, 2020

Design valid for use only with MITek® connectors. This design is based only upon parameters shown, and is for an individual building component, not a truss system. Before use, the building designer must verify the applicability of design parameters and properly incorporate this design into the overall building design. Bracing indicated is to prevent buckling of individual truss web and/or chord members only. Additional temporary and permanent bracing is always required for stability and to prevent collapse with possible personal injury and property damage. For general guidance regarding the fabrication, storage, delivery, erection and bracing of trusses and truss systems, see ANSI/TPI1 Quality Criteria, DSB-89 and BCSI Building Component Safety Information available from Truss Plate Institute, 218 N. Lee Street, Suite 312, Alexandria, VA 22314.

DESIGNED BY
TRENCO
 818 Soundside Road
 Edenton, NC 27932

Job	Truss	Truss Type	Qty	Ply	J.Lee/Smith	140703180
25003	PB01	GABLE	2	1		

C&R Building Supply, Atryville NC 7,640 s Aug 16 2017 MITek Industries, Inc. Fri Mar 20 11:57:11 2020 Page 1
 ID:sUu2KHxSWTaJrWpXBxQ9deZqon6-wzUDjtqCfKPCOMTEtI3GHU4oBDPmXgp4MrFodczZ2UM



Scale = 1:49.6

LOADING (psf)	SPACING-	2-0-0	CSI.	DEFL.	in (loc)	l/defl	L/d	PLATES	GRIP	
TCLL 20.0	Plate Grip DOL	1.15	TC 0.10	Vert(LL)	n/a	-	n/a	999	MT20	244/190
TCDL 10.0	Lumber DOL	1.15	BC 0.12	Vert(TL)	n/a	-	n/a	999		
BCLL 0.0 *	Rep Stress Incr	NO	WB 0.10	Horz(TL)	0.00	7	n/a	n/a		
BCDL 10.0	Code IRC2012/TPI2007		(Matrix)						Weight: 69 lb	FT = 20%

LUMBER-	BRACING-
TOP CHORD 2x4 SP 2400F 2.0E	TOP CHORD Structural wood sheathing directly applied or 6-0-0 oc purlins.
BOT CHORD 2x4 SP No.2	BOT CHORD Rigid ceiling directly applied or 10-0-0 oc bracing.
OTHERS 2x4 SP No.3	

REACTIONS. All bearings 16-7-8.
 (lb) - Max Horz 1=-103(LC 6)
 Max Uplift All uplift 100 lb or less at joint(s) 2, 6, 10, 8 except 1=-147(LC 13), 7=-103(LC 14)
 Max Grav All reactions 250 lb or less at joint(s) 1, 7, 9 except 2=302(LC 13), 6=301(LC 1), 10=338(LC 13), 8=337(LC 14)

FORCES. (lb) - Max. Comp./Max. Ten. - All forces 250 (lb) or less except when shown.
WEBS 3-10=-255/93, 5-8=-255/93

- NOTES-**
- Unbalanced roof live loads have been considered for this design.
 - Wind: ASCE 7-10; Vult=120mph (3-second gust) V(IRC2012)=95mph; TC DL=6.0psf; BC DL=6.0psf; h=20ft; B=45ft; L=24ft; eave=2ft; Cat. II; Exp B; enclosed; MWFRS (directional); Lumber DOL=1.60 plate grip DOL=1.60
 - Truss designed for wind loads in the plane of the truss only. For studs exposed to wind (normal to the face), see Standard Industry Gable End Details as applicable, or consult qualified building designer as per ANSI/TPI 1.
 - Gable requires continuous bottom chord bearing.
 - Gable studs spaced at 4-0-0 oc.
 - This truss has been designed for a 10.0 psf bottom chord live load nonconcurrent with any other live loads.
 - * This truss has been designed for a live load of 20.0psf on the bottom chord in all areas with a clearance greater than 6-0-0 between the bottom chord and any other members.
 - Provide mechanical connection (by others) of truss to bearing plate capable of withstanding 100 lb uplift at joint(s) except (it=lb) 1=147, 7=103.
 - N/A
 - "Semi-rigid pitchbreaks including heels" Member end fixity model was used in the analysis and design of this truss.
 - See Standard Industry Piggyback Truss Connection Detail for Connection to base truss as applicable, or consult qualified building designer.

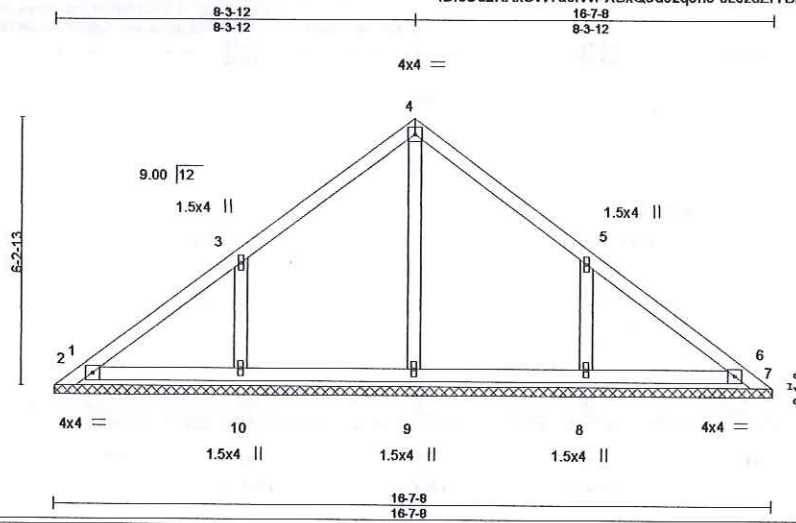


March 20, 2020

Job 25003	Truss PB02	Truss Type GABLE	Qty 18	Ply 1	J.Lee/Smith	140703181
--------------	---------------	---------------------	-----------	----------	-------------	-----------

C&R Building Supply, Autryville NC

7.640 s Aug 16 2017 MITek Industries, Inc. Fri Mar 20 11:57:13 2020 Page 1
ID:sUu2KHxSWTajrWPXBxQ9deZqon6-sLcz8ZrTBLwFgdc_j6kMJ98s14PPalNq9kuiVZZ2UK



Scale = 1:49.6

LOADING (psf)	SPACING-	CSI.	DEFL.	in (loc)	l/defl	L/d	PLATES	GRIP
TCLL 20.0	2-0-0	TC 0.09	Vert(LL)	n/a	-	n/a	MT20	244/190
TCDL 10.0	Plate Grip DOL 1.15	BC 0.11	Vert(TL)	n/a	-	n/a		
BCLL 0.0 *	Lumber DOL 1.15	WB 0.10	Horz(TL)	0.00	7	n/a		
BCDL 10.0	Rep Stress Incr YES	(Matrix)					Weight: 69 lb	FT = 20%
	Code IRC2012/TPI2007							

LUMBER-
TOP CHORD 2x4 SP 2400F 2.0E
BOT CHORD 2x4 SP No.2
OTHERS 2x4 SP No.3

BRACING-
TOP CHORD Structural wood sheathing directly applied or 6-0-0 oc purlins.
BOT CHORD Rigid ceiling directly applied or 10-0-0 oc bracing.

REACTIONS. All bearings 16-7-8.
(lb) - Max Horz 1=-103(LC 6)
Max Uplift All uplift 100 lb or less at joint(s) 2, 6, 10, 8 except 1=-147(LC 13), 7=-103(LC 14)
Max Grav All reactions 250 lb or less at joint(s) 1, 7, 9 except 2=302(LC 13), 6=301(LC 1), 10=338(LC 13), 8=337(LC 14)

FORCES. (lb) - Max. Comp./Max. Ten. - All forces 250 (lb) or less except when shown.
WEBS 3-10=-255/93, 5-8=-255/93

NOTES-

- Unbalanced roof live loads have been considered for this design.
- Wind: ASCE 7-10; Vult=120mph (3-second gust) V(IRC2012)=95mph; TCCL=6.0psf; BCCL=6.0psf; h=20ft; B=45ft; L=24ft; eave=2ft; Cat. II; Exp B; enclosed; MWFRS (directional); Lumber DOL=1.60 plate grip DOL=1.60
- Truss designed for wind loads in the plane of the truss only. For studs exposed to wind (normal to the face), see Standard Industry Gable End Details as applicable, or consult qualified building designer as per ANSI/TPI 1.
- Gable requires continuous bottom chord bearing.
- Gable studs spaced at 4-0-0 oc.
- This truss has been designed for a 10.0 psf bottom chord live load nonconcurrent with any other live loads.
- * This truss has been designed for a live load of 20.0psf on the bottom chord in all areas with a clearance greater than 6-0-0 between the bottom chord and any other members.
- Provide mechanical connection (by others) of truss to bearing plate capable of withstanding 100 lb uplift at joint(s) except (jt=lb) 1=147, 7=103.
- N/A
- "Semi-rigid pitchbreaks including heels" Member end fixity model was used in the analysis and design of this truss.
- See Standard Industry Piggyback Truss Connection Detail for Connection to base truss as applicable, or consult qualified building designer.



March 20, 2020

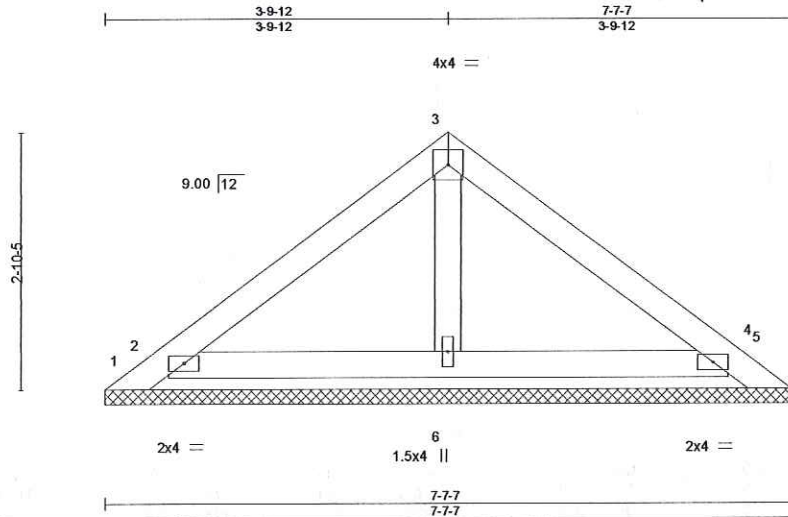
Design valid for use only with MITek® connectors. This design is based only upon parameters shown, and is for an individual building component, not a truss system. Before use, the building designer must verify the applicability of design parameters and properly incorporate this design into the overall building design. Bracing indicated is to prevent buckling of individual truss web and/or chord members only. Additional temporary and permanent bracing is always required for stability and to prevent collapse with possible personal injury and property damage. For general guidance regarding the fabrication, storage, delivery, erection and bracing of trusses and truss systems, see ANSI/TPI1 Quality Criteria, DSB-89 and BCSI Building Component Safety Information available from Truss Plate Institute, 218 N. Lee Street, Suite 312, Alexandria, VA 22314.

DESIGNED BY
TRENCO
818 Soundside Road
Edenton, NC 27932

Job 25003	Truss PB04	Truss Type GABLE	Qty 7	Ply 1	J.Lee/Smith Job Reference (optional)	140703182
--------------	---------------	---------------------	----------	----------	---	-----------

C&R Building Supply, Autryville NC

7.640 s Aug 16 2017 MITek Industries, Inc. Fri Mar 20 11:57:14 2020 Page 1
ID:sUu2KHxSWTajrWPXBxQ9dezqon6-KXAMLvs5yfnntpCoYRdzuXiJvRQs82nX3pJSEzz2UJ



Scale = 1:23.7

LOADING (psf)	SPACING-	2-0-0	CSI.	DEFL.	in (loc)	l/defl	L/d	PLATES	GRIP
TCLL 20.0	Plate Grip DOL	1.15	TC 0.07	Vert(LL)	n/a	-	n/a	MT20	244/190
TCDL 10.0	Lumber DOL	1.15	BC 0.10	Vert(TL)	n/a	-	n/a		
BCLL 0.0 *	Rep Stress Incr	YES	WB 0.02	Horz(TL)	0.00	5	n/a		
BCDL 10.0	Code	IRC2012/TPI2007	(Matrix)					Weight: 26 lb	FT = 20%

LUMBER-

TOP CHORD 2x4 SP 2400F 2.0E
BOT CHORD 2x4 SP No.2
OTHERS 2x4 SP No.3

BRACING-

TOP CHORD Structural wood sheathing directly applied or 6-0-0 oc purlins.
BOT CHORD Rigid ceiling directly applied or 10-0-0 oc bracing.

REACTIONS.

All bearings 7-7-7.
(lb) - Max Horz 1=45(LC 6)
Max Uplift All uplift 100 lb or less at joint(s) 2, 4 except 1=-140(LC 13), 5=-121(LC 14)
Max Grav All reactions 250 lb or less at joint(s) 1, 5, 6 except 2=316(LC 13), 4=312(LC 1)

FORCES. (lb) - Max. Comp./Max. Ten. - All forces 250 (lb) or less except when shown.

NOTES-

- Unbalanced roof live loads have been considered for this design.
- Wind: ASCE 7-10; Vult=120mph (3-second gust) V(IRC2012)=95mph; TCCL=6.0psf; BCDL=6.0psf; h=20ft; B=45ft; L=24ft; eave=2ft; Cat. II; Exp B; enclosed; MWFRS (directional); Lumber DOL=1.60 plate grip DOL=1.60
- Truss designed for wind loads in the plane of the truss only. For studs exposed to wind (normal to the face), see Standard Industry Gable End Details as applicable, or consult qualified building designer as per ANSI/TPI 1.
- Gable requires continuous bottom chord bearing.
- Gable studs spaced at 4-0-0 oc.
- This truss has been designed for a 10.0 psf bottom chord live load nonconcurrent with any other live loads.
- * This truss has been designed for a live load of 20.0psf on the bottom chord in all areas with a clearance greater than 6-0-0 between the bottom chord and any other members.
- Provide mechanical connection (by others) of truss to bearing plate capable of withstanding 100 lb uplift at joint(s) except (j=lb) 1=140, 5=121.
- N/A
- "Semi-rigid pitchbreaks including heels" Member end fixity model was used in the analysis and design of this truss.
- See Standard Industry Piggyback Truss Connection Detail for Connection to base truss as applicable, or consult qualified building designer.



March 20, 2020

<p>Design valid for use only with MITek® connectors. This design is based only upon parameters shown, and is for an individual building component, not a truss system. Before use, the building designer must verify the applicability of design parameters and properly incorporate this design into the overall building design. Bracing indicated is to prevent buckling of individual truss web and/or chord members only. Additional temporary and permanent bracing is always required for stability and to prevent collapse with possible personal injury and property damage. For general guidance regarding the fabrication, storage, delivery, erection and bracing of trusses and truss systems, see ANSITPI Quality Criteria, DSB-89 and BCSI Building Component Safety Information available from Truss Plate Institute, 218 N. Lee Street, Suite 312, Alexandria, VA 22314.</p>	<p>ENGINEERING BY TRENCO A TPI COMPANY</p> <p>818 Soundside Road Edenton, NC 27932</p>
---	---

Job 25003	Truss PB05	Truss Type GABLE	Qty 1	Ply 1	J.Lee/Smith	140703183
--------------	---------------	---------------------	----------	----------	-------------	-----------

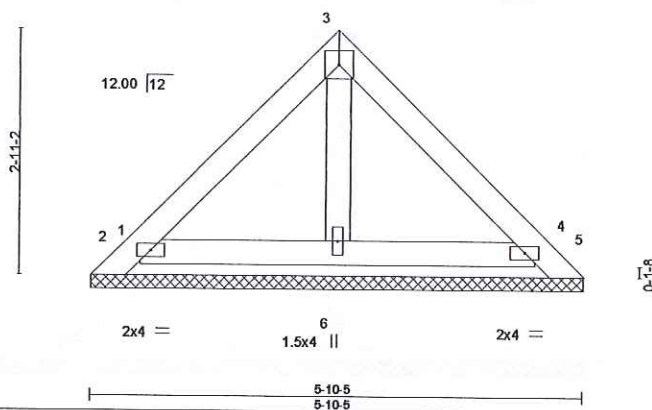
C&R Building Supply, Autryville NC

7.640 s Aug 16 2017 MITek Industries, Inc. Fri Mar 20 11:57:15 2020 Page 1
ID:sUu2KHxSWTaJrWPXBxQ9deZqon6-okkkZEtjzveUzm?688CRKEV_qnetVAgHTD?mNzZUI



4x4 =

Scale = 1:25.5



LOADING (psf)	SPACING-	CSI.	DEFL.	PLATES	GRIP
TCLL 20.0	2-0-0	TC 0.05	in (loc) l/def L/d	MT20	244/190
TCDL 10.0	Plate Grip DOL 1.15	BC 0.06	Vert(LL) n/a - n/a 999		
BCLL 0.0 *	Lumber DOL 1.15	WB 0.01	Vert(TL) n/a - n/a 999		
BCDL 10.0	Rep Stress Incr NO	(Matrix)	Horz(TL) 0.00 5 n/a n/a		
	Code IRC2012/TPI2007			Weight: 22 lb	FT = 20%

LUMBER-
 TOP CHORD 2x4 SP 2400F 2.0E
 BOT CHORD 2x4 SP No.2
 OTHERS 2x4 SP No.3

BRACING-
 TOP CHORD Structural wood sheathing directly applied or 5-10-5 oc purlins.
 BOT CHORD Rigid ceiling directly applied or 10-0-0 oc bracing.

REACTIONS. All bearings 5-10-5.
 (lb) - Max Horz 1=51(LC 7)
 Max Uplift All uplift 100 lb or less at joint(s) 5, 2, 4 except 1=-121(LC 13)
 Max Grav All reactions 250 lb or less at joint(s) 1, 5, 4, 6 except 2=261(LC 13)

FORCES. (lb) - Max. Comp./Max. Ten. - All forces 250 (lb) or less except when shown.

NOTES-

- Unbalanced roof live loads have been considered for this design.
- Wind: ASCE 7-10; Vult=120mph (3-second gust) V(IRC2012)=95mph; TCCL=6.0psf, BCCL=6.0psf; h=20ft; B=45ft; L=24ft; eave=2ft; Cat. II; Exp B; enclosed, MWFRS (directional); Lumber DOL=1.60 plate grip DOL=1.60
- Truss designed for wind loads in the plane of the truss only. For studs exposed to wind (normal to the face), see Standard Industry Gable End Details as applicable, or consult qualified building designer as per ANSI/TPI 1.
- Gable requires continuous bottom chord bearing.
- Gable studs spaced at 4-0-0 oc.
- This truss has been designed for a 10.0 psf bottom chord live load nonconcurrent with any other live loads.
- * This truss has been designed for a live load of 20.0psf on the bottom chord in all areas with a clearance greater than 6-0-0 between the bottom chord and any other members.
- Provide mechanical connection (by others) of truss to bearing plate capable of withstanding 100 lb uplift at joint(s) 5 except (i=lb) 1=121.
- N/A
- "Semi-rigid pitchbreaks including heels" Member end fixity model was used in the analysis and design of this truss.
- See Standard Industry Piggyback Truss Connection Detail for Connection to base truss as applicable, or consult qualified building designer.



March 20, 2020

Design valid for use only with MITek® connectors. This design is based only upon parameters shown, and is for an individual building component, not a truss system. Before use, the building designer must verify the applicability of design parameters and properly incorporate this design into the overall building design. Bracing indicated is to prevent buckling of individual truss web and/or chord members only. Additional temporary and permanent bracing is always required for stability and to prevent collapse with possible personal injury and property damage. For general guidance regarding the fabrication, storage, delivery, erection and bracing of trusses and truss systems, see ANSI/TPI1 Quality Criteria, DSB-89 and BCSI Building Component Safety Information available from Truss Plate Institute, 218 N. Lee Street, Suite 312, Alexandria, VA 22314.

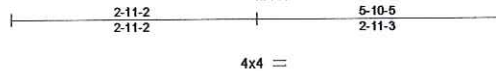


818 Soundside Road
 Edenton, NC 27932

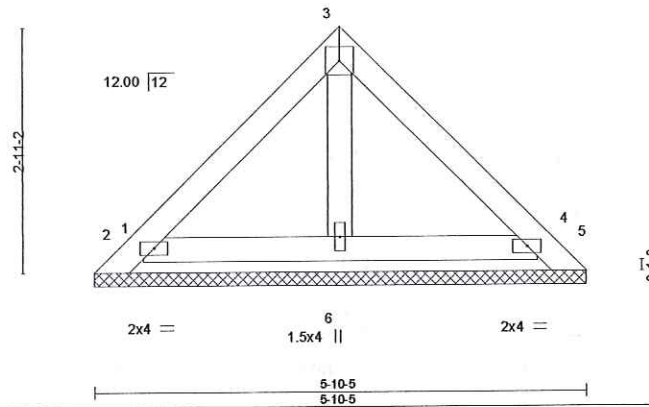
Job 25003	Truss PB06	Truss Type GABLE	Qty 15	Ply 1	J.Lee/Smith 140703184
--------------	---------------	---------------------	-----------	----------	--------------------------

C&R Building Supply, Autryville NC

7.640 s Aug 16 2017 Mitek Industries, Inc. Fri Mar 20 11:57:16 2020 Page 1
ID:sUu2KHxSWTajrWpXBxQ9dezqon6-Gwl6mauLUG1U67LBrfRzyngpE7ycyQpW7zYJqzZ2UH



Scale = 1:25.5



LOADING (psf)	SPACING-	CSI.	DEFL.	PLATES	GRIP
TCLL 20.0	2-0-0	TC 0.04	in (loc) l/defl L/d	MT20	244/190
TCDL 10.0	Plate Grip DOL 1.15	BC 0.06	Vert(LL) n/a - n/a 999		
BCLL 0.0 *	Lumber DOL 1.15	WB 0.01	Vert(TL) n/a - n/a 999		
BCDL 10.0	Rep Stress Incr YES	(Matrix)	Horz(TL) 0.00 5 n/a n/a	Weight: 22 lb	FT = 20%
	Code IRC2012/TPI2007				

LUMBER-	BRACING-
TOP CHORD 2x4 SP 2400F 2.0E	TOP CHORD Structural wood sheathing directly applied or 5-10-5 oc purlins.
BOT CHORD 2x4 SP No.2	BOT CHORD Rigid ceiling directly applied or 10-0-0 oc bracing.
OTHERS 2x4 SP No.3	

REACTIONS. All bearings 5-10-5.
 (lb) - Max Horz 1=51 (LC 7)
 Max Uplift All uplift 100 lb or less at joint(s) 5, 2, 4 except 1=121 (LC 13)
 Max Grav All reactions 250 lb or less at joint(s) 1, 5, 4, 6 except 2=261 (LC 13)

FORCES. (lb) - Max. Comp./Max. Ten. - All forces 250 (lb) or less except when shown.

- NOTES-**
- Unbalanced roof live loads have been considered for this design.
 - Wind: ASCE 7-10; Vult=120mph (3-second gust) V(IRC2012)=95mph; TC DL=6.0psf, BC DL=6.0psf; h=20ft; B=45ft; L=24ft; eave=2ft; Cat. II; Exp B; enclosed; MWFRS (directional); Lumber DOL=1.60 plate grip DOL=1.60
 - Truss designed for wind loads in the plane of the truss only. For studs exposed to wind (normal to the face), see Standard Industry Gable End Details as applicable, or consult qualified building designer as per ANSI/TPI 1.
 - Gable requires continuous bottom chord bearing.
 - Gable studs spaced at 4-0-0 oc.
 - This truss has been designed for a 10.0 psf bottom chord live load nonconcurrent with any other live loads.
 - * This truss has been designed for a live load of 20.0psf on the bottom chord in all areas with a clearance greater than 6-0-0 between the bottom chord and any other members.
 - Provide mechanical connection (by others) of truss to bearing plate capable of withstanding 100 lb uplift at joint(s) 5 except (it=1b) 1=121.
 - N/A
 - "Semi-rigid pitchbreaks including heels" Member end fixity model was used in the analysis and design of this truss.
 - See Standard Industry Piggyback Truss Connection Detail for Connection to base truss as applicable, or consult qualified building designer.



March 20, 2020

<p>Design valid for use only with Mitek® connectors. This design is based only upon parameters shown, and is for an individual building component, not a truss system. Before use, the building designer must verify the applicability of design parameters and properly incorporate this design into the overall building design. Bracing indicated is to prevent buckling of individual truss web and/or chord members only. Additional temporary and permanent bracing is always required for stability and to prevent collapse with possible personal injury and property damage. For general guidance regarding the fabrication, storage, delivery, erection and bracing of trusses and truss systems, see ANSVTPI Quality Criteria, DSB-89 and BCSI Building Component Safety Information available from Truss Plate Institute, 218 N. Lee Street, Suite 312, Alexandria, VA 22314.</p>	<p>ENGINEERED BY TRENCO <small>EST. 1984</small></p> <p>818 Soundside Road Edenton, NC 27932</p>
--	---

Job 25003	Truss PB07	Truss Type GABLE	Qty 1	Ply 1	J.Lee/Smith 140703185
--------------	---------------	---------------------	----------	----------	--------------------------

C&R Building Supply,

Autryville NC

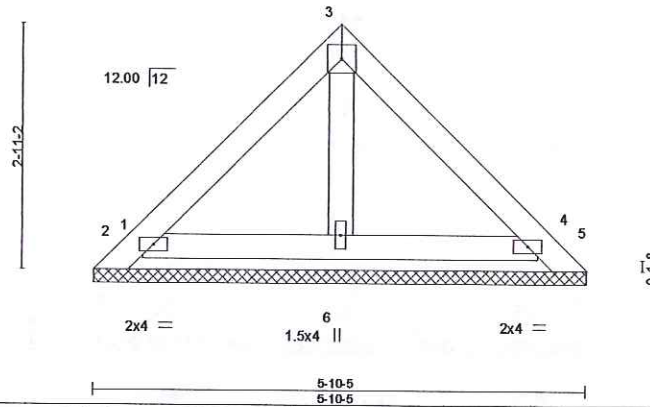
7.640 s Aug 16 2017 MiTek Industries, Inc. Fri Mar 20 11:57:17 2020 Page 1

ID:sUu2KHxSWTaJrWpXBxQ9dezqon6-k6rUzwuzFa9LkHwNDZAgW9KrUeT5LPgzlni6rGz2ZUG



4x4 =

Scale = 1:25.5



LOADING (psf)	SPACING-	2-0-0	CSI.	DEFL.	in (loc)	l/defl	L/d	PLATES	GRIP	
TCLL 20.0	Plate Grip DOL	1.15	TC 0.05	Vert(LL)	n/a	-	n/a	999	MT20	244/190
TCDL 10.0	Lumber DOL	1.15	BC 0.06	Vert(TL)	n/a	-	n/a	999		
BCLL 0.0 *	Rep Stress Incr	NO	WB 0.01	Horz(TL)	0.00	5	n/a	n/a		
BCDL 10.0	Code IRC2012/TPI2007		(Matrix)						Weight 22 lb	FT = 20%

LUMBER-
 TOP CHORD 2x4 SP 2400F 2.0E
 BOT CHORD 2x4 SP No.2
 OTHERS 2x4 SP No.3

BRACING-
 TOP CHORD Structural wood sheathing directly applied or 5-10-5 oc purfins.
 BOT CHORD Rigid ceiling directly applied or 10-0-0 oc bracing.

REACTIONS. All bearings 5-10-5.
 (lb) - Max Horz 1=51(LC 7)
 Max Uplift All uplift 100 lb or less at joint(s) 5, 2, 4 except 1=-121(LC 13)
 Max Grav All reactions 250 lb or less at joint(s) 1, 5, 4, 6 except 2=261(LC 13)

FORCES. (lb) - Max. Comp./Max. Ten. - All forces 250 (lb) or less except when shown.

NOTES-

- Unbalanced roof live loads have been considered for this design.
- Wind: ASCE 7-10; Vult=120mph (3-second gust) V(IRC2012)=95mph; TCDL=6.0psf; BCDL=6.0psf; h=20ft; B=45ft; L=24ft; eave=2ft; Cat. II; Exp B; enclosed; MWFRS (directional); Lumber DOL=1.60 plate grip DOL=1.60
- Truss designed for wind loads in the plane of the truss only. For studs exposed to wind (normal to the face), see Standard Industry Gable End Details as applicable, or consult qualified building designer as per ANSI/TPI 1.
- Gable requires continuous bottom chord bearing.
- Gable studs spaced at 4-0-0 oc.
- This truss has been designed for a 10.0 psf bottom chord live load nonconcurrent with any other live loads.
- * This truss has been designed for a live load of 20.0psf on the bottom chord in all areas with a clearance greater than 6-0-0 between the bottom chord and any other members.
- Provide mechanical connection (by others) of truss to bearing plate capable of withstanding 100 lb uplift at joint(s) 5 except (it=lb) 1=121.
- N/A
- "Semi-rigid pitchbreaks including heels" Member end fixity model was used in the analysis and design of this truss.
- See Standard Industry Piggyback Truss Connection Detail for Connection to base truss as applicable, or consult qualified building designer.



March 20, 2020

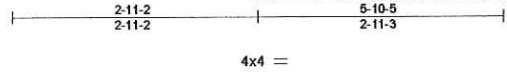
Design valid for use only with MITek® connectors. This design is based only upon parameters shown, and is for an individual building component, not a truss system. Before use, the building designer must verify the applicability of design parameters and properly incorporate this design into the overall building design. Bracing indicated is to prevent buckling of individual truss web and/or chord members only. Additional temporary and permanent bracing is always required for stability and to prevent collapse with possible personal injury and property damage. For general guidance regarding the fabrication, storage, delivery, erection and bracing of trusses and truss systems, see ANSI/TPI1 Quality Criteria, DSB-89 and BCSI Building Component Safety Information available from Truss Plate Institute, 218 N. Lee Street, Suite 312, Alexandria, VA 22314.



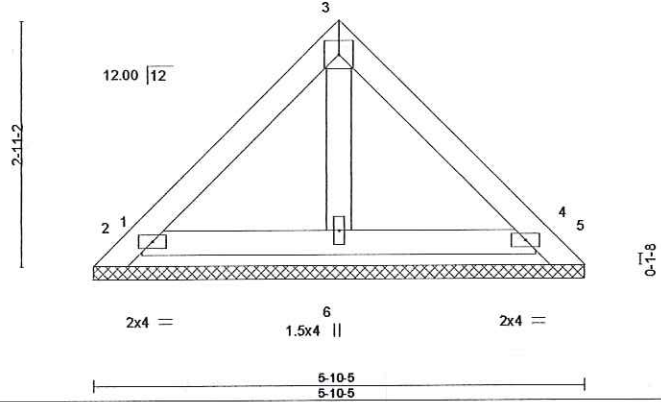
818 Southside Road
 Edenton, NC 27932

Job	Truss	Truss Type	Qty	Ply	J.Lee/Smith	140703186
25003	PB08	GABLE	7	1		

C&R Building Supply, Autryville NC 7.640 s Aug 16 2017 MITek Industries, Inc. Fri Mar 20 11:57:18 2020 Page 1
 ID:sUu2KHxSWTaJrWPXBxQ9dezqon6-DJPsBGvb0uICMRVanGhw3Ns0J2pQ4sw6zRSINizZ2UF



Scale = 1:25.5



LOADING (psf)	SPACING- 2-0-0	CSI.	DEFL. in (loc) l/defl L/d	PLATES	GRIP
TCLL 20.0	Plate Grip DOL 1.15	TC 0.04	Vert(LL) n/a - n/a 999	MT20	244/190
TCDL 10.0	Lumber DOL 1.15	BC 0.06	Vert(TL) n/a - n/a 999		
BCLL 0.0 *	Rep Stress Incr YES	WB 0.01	Horz(TL) 0.00 5 n/a n/a		
BCDL 10.0	Code IRC2012/TPI2007	(Matrix)		Weight: 22 lb	FT = 20%

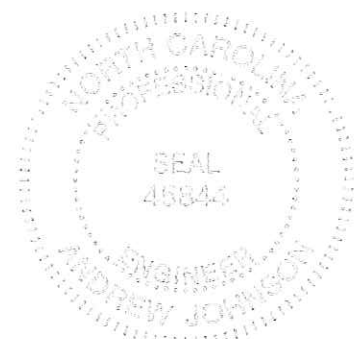
LUMBER-
 TOP CHORD 2x4 SP 2400F 2.0E
 BOT CHORD 2x4 SP No.2
 OTHERS 2x4 SP No.3

BRACING-
 TOP CHORD Structural wood sheathing directly applied or 5-10-5 oc purlins.
 BOT CHORD Rigid ceiling directly applied or 10-0-0 oc bracing.

REACTIONS. All bearings 5-10-5.
 (lb) - Max Horz 1=51(LC 7)
 Max Uplift All uplift 100 lb or less at joint(s) 5, 2, 4 except 1=121(LC 13)
 Max Grav All reactions 250 lb or less at joint(s) 1, 5, 4, 6 except 2=261(LC 13)

FORCES. (lb) - Max. Comp./Max. Ten. - All forces 250 (lb) or less except when shown.

- NOTES-**
- 1) Unbalanced roof live loads have been considered for this design.
 - 2) Wind: ASCE 7-10; Vult=120mph (3-second gust) V(IRC2012)=95mph; TCCL=6.0psf, BCCL=6.0psf, h=20ft, B=45ft, L=24ft, eave=2ft, Cat. II; Exp B; enclosed; MWFRS (directional); Lumber DOL=1.60 plate grip DOL=1.60
 - 3) Truss designed for wind loads in the plane of the truss only. For studs exposed to wind (normal to the face), see Standard Industry Gable End Details as applicable, or consult qualified building designer as per ANSI/TPI 1.
 - 4) Gable requires continuous bottom chord bearing.
 - 5) Gable studs spaced at 4-0-0 oc.
 - 6) This truss has been designed for a 10.0 psf bottom chord live load nonconcurrent with any other live loads.
 - 7) * This truss has been designed for a live load of 20.0psf on the bottom chord in all areas with a clearance greater than 6-0-0 between the bottom chord and any other members.
 - 8) Provide mechanical connection (by others) of truss to bearing plate capable of withstanding 100 lb uplift at joint(s) 5 except (it=lb) 1=121.
 - 9) N/A
 - 10) "Semi-rigid pitchbreaks including heels" Member end fixity model was used in the analysis and design of this truss.
 - 11) See Standard Industry Piggyback Truss Connection Detail for Connection to base truss as applicable, or consult qualified building designer.



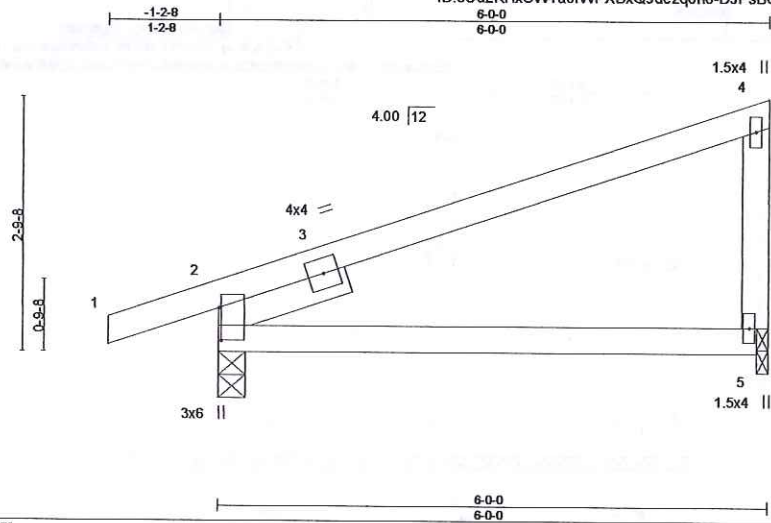
March 20,2020

Job 25003	Truss PJ01	Truss Type MONO TRUSS	Qty 4	Ply 1	J.Lee/Smith	140703187
--------------	---------------	--------------------------	----------	----------	-------------	-----------

C&R Building Supply, Autryville NC

7.640 s Aug 16 2017 MiTek Industries, Inc. Fri Mar 20 11:57:18 2020 Page 1

ID:sUu2KHxSWTaJrWPXBxQ9dezqon6-DJPsBGvb0ulCMRVanGhv3NsvZ2ku4sb6zRSNizZ2UF



Scale = 1:23.4

Plate Offsets (X,Y) [2:0-4-5,0-0-5]

LOADING (psf)	SPACING-	CSI.	DEFL.	in (loc)	l/defl	L/d	PLATES	GRIP
TCLL 20.0	2-0-0	TC 0.47	Vert(LL)	-0.04	5-8	>999	MT20	244/190
TCDL 10.0	Plate Grip DOL 1.15	BC 0.35	Vert(TL)	-0.14	5-8	>515		
BCLL 0.0 *	Lumber DOL 1.15	WB 0.04	Horz(TL)	0.04	2	n/a		
BCDL 10.0	Rep Stress Incr YES	(Matrix-S)	Wind(LL)	0.03	5-8	>999	Weight: 26 lb	FT = 20%
	Code IRC2012/TPI2007							

LUMBER-

TOP CHORD 2x4 SP No.2
 BOT CHORD 2x4 SP No.2
 WEBS 2x4 SP No.3
 SLIDER Left 2x4 SP No.3 1-6-0

BRACING-

TOP CHORD Structural wood sheathing directly applied.
 BOT CHORD Rigid ceiling directly applied.

REACTIONS.

(size) 2=0-3-8, 5=0-1-8
 Max Horz 2=57(LC 8)
 Max Uplift 2=-12(LC 8), 5=-3(LC 8)
 Max Grav 2=314(LC 1), 5=227(LC 1)

FORCES. (lb) - Max. Comp./Max. Ten. - All forces 250 (lb) or less except when shown.

NOTES-

- 1) Wind: ASCE 7-10; Vult=120mph (3-second gust) V(IRC2012)=95mph; TCCL=6.0psf, BCDL=6.0psf; h=20ft; B=45ft; L=24ft; eave=4ft; Cat. II; Exp B; enclosed; MWFRS (directional); Lumber DOL=1.60 plate grip DOL=1.60
- 2) This truss has been designed for a 10.0 psf bottom chord live load nonconcurrent with any other live loads.
- 3) * This truss has been designed for a live load of 20.0psf on the bottom chord in all areas with a clearance greater than 6-0-0 between the bottom chord and any other members.
- 4) Bearing at joint(s) 5 considers parallel to grain value using ANSI/TPI 1 angle to grain formula. Building designer should verify capacity of bearing surface.
- 5) Provide mechanical connection (by others) of truss to bearing plate at joint(s) 5.
- 6) One H2.5 Simpson Strong-Tie connectors recommended to connect truss to bearing walls due to UPLIFT at jt(s) 2 and 5. This connection is for uplift only and does not consider lateral forces.
- 7) This truss design requires that a minimum of 7/16" structural wood sheathing be applied directly to the top chord and 1/2" gypsum sheetrock be applied directly to the bottom chord.



March 20, 2020

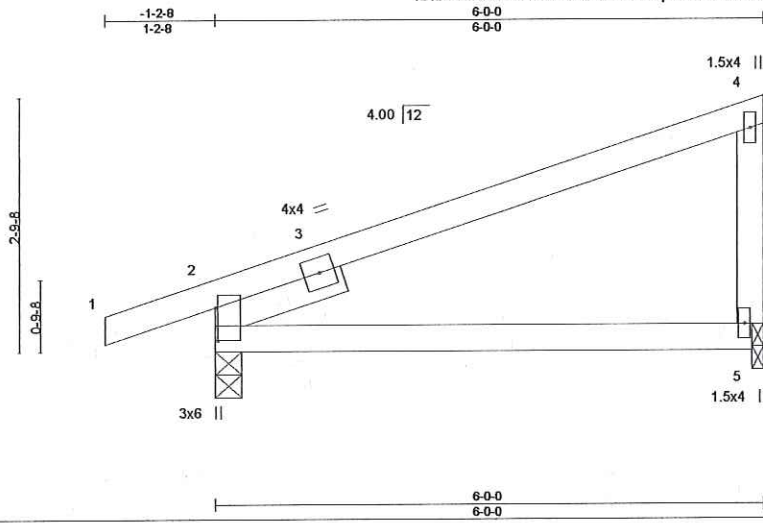
Design valid for use only with MiTek® connectors. This design is based only upon parameters shown, and is for an individual building component, not a truss system. Before use, the building designer must verify the applicability of design parameters and properly incorporate this design into the overall building design. Bracing indicated is to prevent buckling of individual truss web and/or chord members only. Additional temporary and permanent bracing is always required for stability and to prevent collapse with possible personal injury and property damage. For general guidance regarding the fabrication, storage, delivery, erection and bracing of trusses and truss systems, see ANSI/TPI Quality Criteria, D5B-89 and BCSI Building Component Safety Information available from Truss Plate Institute, 218 N. Lee Street, Suite 312, Alexandria, VA 22314.



818 Soundside Road
 Edenton, NC 27932

Job	Truss	Truss Type	Qty	Ply	J.Lee/Smith	I40703188
25003	PJ01A	MONO TRUSS	22	1		

C&R Building Supply, Autryville NC 7.640 s Aug 16 2017 MITek Industries, Inc. Fri Mar 20 11:57:19 2020 Page 1
 ID:sUu2KHxSWTaJrWPXBxC9dezqon6-hVzFOcwDnBQ3zb4mL_D8baP4JS37plqGC5BDv9zZ2UE



Scale = 1:23.4

Plate Offsets (X,Y)-	[2-0-4-5-0-0-5]				
LOADING (psf)	SPACING- 2-0-0	CSI.	DEFL. in (loc) l/defl L/d	PLATES	GRIP
TCLL 20.0	Plate Grip DOL 1.15	TC 0.47	Vert(LL) -0.04 5-8 >999 360	MT20	244/190
TCDL 10.0	Lumber DOL 1.15	BC 0.35	Vert(TL) -0.14 5-8 >515 240		
BCLL 0.0 *	Rep Stress Incr YES	WB 0.04	Horz(TL) 0.04 2 n/a n/a		
BCDL 10.0	Code IRC2012/TPI2007	(Matrix-S)	Wind(LL) 0.03 5-8 >999 240	Weight: 26 lb	FT = 20%

LUMBER-
 TOP CHORD 2x4 SP No.2
 BOT CHORD 2x4 SP No.2
 WEBS 2x4 SP No.3
 SLIDER Left 2x4 SP No.3 1-6-0

BRACING-
 TOP CHORD Structural wood sheathing directly applied.
 BOT CHORD Rigid ceiling directly applied.

REACTIONS. (size) 2=0-3-8, 5=0-1-8
 Max Horz 2=57(LC 8)
 Max Uplift 2=-12(LC 8), 5=-3(LC 8)
 Max Grav 2=314(LC 1), 5=227(LC 1)

FORCES. (lb) - Max. Comp./Max. Ten. - All forces 250 (lb) or less except when shown.

- NOTES-**
- 1) Wind: ASCE 7-10; Vult=120mph (3-second gust) V(IRC2012)=95mph; TCDL=6.0psf, BCDL=6.0psf; h=20ft; B=45ft; L=24ft; eave=4ft; Cat. II; Exp B; enclosed; MWFRS (directional); Lumber DOL=1.60 plate grip DOL=1.60
 - 2) This truss has been designed for a 10.0 psf bottom chord live load nonconcurrent with any other live loads.
 - 3) * This truss has been designed for a live load of 20.0psf on the bottom chord in all areas with a clearance greater than 6'-0-0 between the bottom chord and any other members.
 - 4) Bearing at joint(s) 5 considers parallel to grain value using ANSI/TPI 1 angle to grain formula. Building designer should verify capacity of bearing surface.
 - 5) Provide mechanical connection (by others) of truss to bearing plate at joint(s) 5.
 - 6) One H2.5 Simpson Strong-Tie connectors recommended to connect truss to bearing walls due to UPLIFT at it(s) 2 and 5. This connection is for uplift only and does not consider lateral forces.
 - 7) This truss design requires that a minimum of 7/16" structural wood sheathing be applied directly to the top chord and 1/2" gypsum sheetrock be applied directly to the bottom chord.



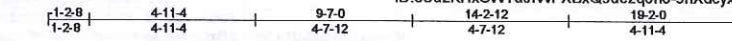
March 20, 2020

Job 25003	Truss T01	Truss Type COMMON	Qty 3	Ply 1	J.Lee/Smith	140703189
--------------	--------------	----------------------	----------	----------	-------------	-----------

C&R Building Supply, Autryville NC

7.640 s Aug 16 2017 MITek Industries, Inc. Fri Mar 20 11:57:20 2020 Page 1

ID:sUu2KHxSWTaJrWPXBxQ9dezqon6-9hXdcyxsYVYwbktyuhkN8oylcrSpYcEPRkmSbzZUD



4x6 II

Scale: 3/16"=1'

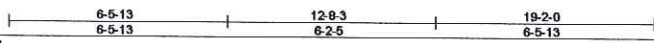
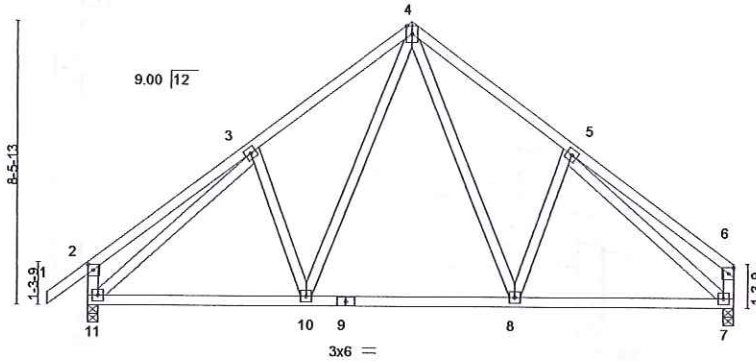


Plate Offsets (X, Y) - [2:0-2-0,0-1-12], [5:0-0-0,0-0-0]

LOADING (psf)	SPACING-	CSI.	DEFL.	PLATES	GRIP
TCLL 20.0	2-0-0	TC 0.31	in (loc) l/defl L/d	MT20	244/190
TCDL 10.0	Plate Grip DOL 1.15	BC 0.19	Vert(LL) -0.07 8-10 >999 360		
BCLL 0.0 *	Lumber DOL 1.15	WB 0.60	Vert(TL) -0.11 8-10 >999 240		
BCDL 10.0	Rep Stress Incr YES	(Matrix-S)	Horz(TL) 0.02 7 n/a n/a		
	Code IRC2012/TPI2007		Wind(LL) 0.01 8-10 >999 240	Weight: 127 lb	FT = 20%

LUMBER-

TOP CHORD 2x4 SP 2400F 2.0E
 BOT CHORD 2x4 SP 2400F 2.0E
 WEBS 2x4 SP No.3

BRACING-

TOP CHORD Structural wood sheathing directly applied, except end verticals.
 BOT CHORD Rigid ceiling directly applied.

REACTIONS.

(size) 11=0-3-8, 7=0-3-8
 Max Horz 11=132(LC 7)
 Max Uplift 11=-12(LC 8)
 Max Grav 11=842(LC 13), 7=765(LC 14)

FORCES. (lb) - Max. Comp./Max. Ten. - All forces 250 (lb) or less except when shown.

TOP CHORD 3-4=-821/83, 4-5=-826/84, 2-11=-311/81
 BOT CHORD 10-11=0/700, 8-10=0/511, 7-8=0/637
 WEBS 4-10=-19/391, 4-8=-19/401, 3-11=-756/0, 5-7=-746/0

NOTES-

- Unbalanced roof live loads have been considered for this design.
- Wind: ASCE 7-10; Vult=120mph (3-second gust) V(IRC2012)=95mph; TCCL=6.0psf; BCDL=6.0psf; h=20ft; B=45ft; L=24ft; eave=4ft; Cat. II; Exp B; enclosed; MWFRS (directional); Lumber DOL=1.60 plate grip DOL=1.60
- All plates are 4x4 MT20 unless otherwise indicated.
- This truss has been designed for a 10.0 psf bottom chord live load nonconcurrent with any other live loads.
- * This truss has been designed for a live load of 20.0psf on the bottom chord in all areas with a clearance greater than 6-0-0 between the bottom chord and any other members, with BCDL = 10.0psf.
- One H2.5 Simpson Strong-Tie connectors recommended to connect truss to bearing walls due to UPLIFT at jt(s) 11. This connection is for uplift only and does not consider lateral forces.
- This truss design requires that a minimum of 7/16" structural wood sheathing be applied directly to the top chord and 1/2" gypsum sheetrock be applied directly to the bottom chord.



March 20, 2020

Design valid for use only with MITek® connectors. This design is based only upon parameters shown, and is for an individual building component, not a truss system. Before use, the building designer must verify the applicability of design parameters and properly incorporate this design into the overall building design. Bracing indicated is to prevent buckling of individual truss web and/or chord members only. Additional temporary and permanent bracing is always required for stability and to prevent collapse with possible personal injury and property damage. For general guidance regarding the fabrication, storage, delivery, erection and bracing of trusses and truss systems, see ANSI/TPI1 Quality Criteria, DSB-89 and BCSI Building Component Safety Information available from Truss Plate Institute, 218 N. Lee Street, Suite 312, Alexandria, VA 22314.



818 Soundside Road
 Edenton, NC 27932

Job	Truss	Truss Type	Qty	Ply	J.Lee/Smith	I40703190
25003	T02	HIP	16	1		

C&R Building Supply, Autryville NC

7.640 s Aug 16 2017 MITek Industries, Inc. Fri Mar 20 11:57:21 2020 Page 1

ID:sUu2KHxSWTaJWPXBxQ9dezqon6-du5?plyUJpgnDuE9SPFcg?UP_FhVH37ZgPgJ_1zZ2UC



Scale = 1:98.6

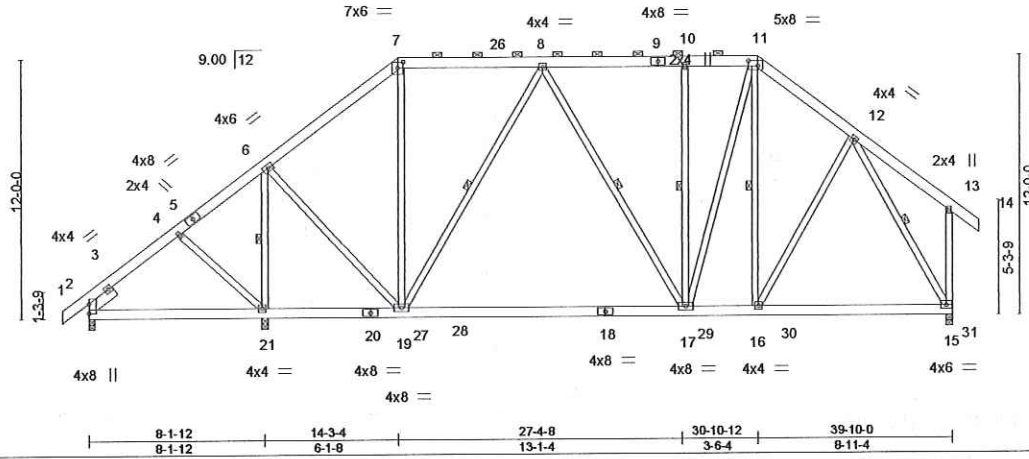


Plate Offsets (X,Y) - [7:0-3-0,0-3-4], [11:0-5-4,0-2-12]

LOADING (psf)	SPACING-	CSI.	DEFL.	PLATES	GRIP
TCLL 20.0	2-0-0	TC 0.52	in (loc) l/defl L/d	MT20	244/190
TCDL 10.0	Plate Grip DOL 1.15	BC 0.61	Vert(LL) -0.29 17-19 >999 360		
BCLL 0.0 *	Lumber DOL 1.15	WB 0.62	Vert(TL) -0.53 17-19 >708 240		
BCDL 10.0	Rep Stress Incr YES	(Matrix-S)	Horz(TL) 0.03 15 n/a n/a		
	Code IRC2012/TPI2007		Wind(LL) 0.02 17-19 >999 240		
				Weight: 380 lb	FT = 20%

LUMBER-

TOP CHORD 2x6 SP No.1
 BOT CHORD 2x6 SP No.1
 WEBS 2x4 SP No.3
 SLIDER Left 2x6 SP No.1 1-6-0

BRACING-

TOP CHORD Structural wood sheathing directly applied, except end verticals, and 2-0-0 oc purlins (6-0-0 max.): 7-11.
 BOT CHORD Rigid ceiling directly applied.
 WEBS 1 Row at midpt 6-21, 8-19, 8-17, 10-17, 11-16, 12-15

REACTIONS.

(size) 2=0-3-8, 21=0-3-8, 15=0-3-8
 Max Horz 2=-168(LC 6)
 Max Uplift 21=-1(LC 8)
 Max Grav 2=492(LC 1), 21=1787(LC 13), 15=1688(LC 14)

FORCES. (lb) - Max. Comp./Max. Ten. - All forces 250 (lb) or less except when shown.

TOP CHORD 2-4=-385/0, 4-6=-266/17, 6-7=-1091/67, 7-8=-807/85, 8-10=-1120/82, 10-11=-1120/82, 11-12=-1235/88
 BOT CHORD 2-21=-28/351, 17-19=0/1090, 16-17=0/923, 15-16=0/701
 WEBS 6-21=-1510/23, 6-19=0/966, 7-19=0/359, 8-19=-549/37, 10-17=-295/49, 11-17=0/711, 12-16=0/465, 12-15=-1421/0

NOTES-

- 1) Unbalanced roof live loads have been considered for this design.
- 2) Wind: ASCE 7-10; Vult=120mph (3-second gust) V(IRC2012)=95mph; TCDL=6.0psf; BCDL=6.0psf; h=20ft; B=45ft; L=24ft; eave=5ft; Cat. II; Exp B; enclosed; MWFRS (directional); Lumber DOL=1.60 plate grip DOL=1.60
- 3) Provide adequate drainage to prevent water ponding.
- 4) This truss has been designed for a 10.0 psf bottom chord live load nonconcurrent with any other live loads.
- 5) * This truss has been designed for a live load of 20.0psf on the bottom chord in all areas with a clearance greater than 6-0-0 between the bottom chord and any other members, with BCDL = 10.0psf.
- 6) One H2.5 Simpson Strong-Tie connectors recommended to connect truss to bearing walls due to UPLIFT at jt(s) 2, 21, and 15. This connection is for uplift only and does not consider lateral forces.
- 7) This truss design requires that a minimum of 7/16" structural wood sheathing be applied directly to the top chord and 1/2" gypsum sheetrock be applied directly to the bottom chord.
- 8) Graphical purlin representation does not depict the size or the orientation of the purlin along the top and/or bottom chord.



March 20, 2020



Design valid for use only with MITek® connectors. This design is based only upon parameters shown, and is for an individual building component, not a truss system. Before use, the building designer must verify the applicability of design parameters and properly incorporate this design into the overall building design. Bracing indicated is to prevent buckling of individual truss web and/or chord members only. Additional temporary and permanent bracing is always required for stability and to prevent collapse with possible personal injury and property damage. For general guidance regarding the fabrication, storage, delivery, erection and bracing of trusses and truss systems, see ANSI/TPI1 Quality Criteria, DSB-89 and BCSI Building Component Safety Information available from Truss Plate Institute, 218 N. Lee Street, Suite 312, Alexandria, VA 22314.



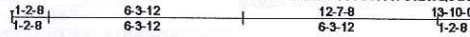
818 Soundside Road
 Edenton, NC 27932

Job 25003	Truss T04	Truss Type COMMON	Qty 2	Ply 1	J.Lee/Smith	140703191
--------------	--------------	----------------------	----------	----------	-------------	-----------

C&R Building Supply, Autryville NC

7.640 s Aug 16 2017 MITek Industries, Inc. Fri Mar 20 11:57:22 2020 Page 1

ID:sUu2KHxSWTaJrWPXBxQsdezqon6-54fN1ey646oeq2pl06mrDD1Zif510e_lu3QtWTzZ2UB



4x4 =

Scale = 1:69.6

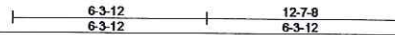
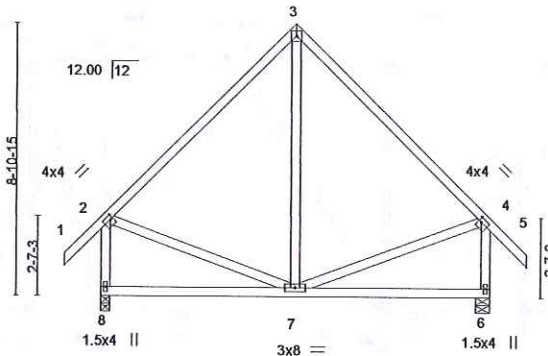


Plate Offsets (X, Y) - [2:0-1-0,0-1-12], [4:0-1-0,0-1-12]

LOADING (psf)	SPACING-	CSI.	DEFL.	in	(loc)	l/defl	L/d	PLATES	GRIP
TCLL 20.0	2-0-0	TC 0.59	Vert(LL)	-0.03	6-7	>999	360	MT20	244/190
TCDL 10.0	Plate Grip DOL 1.15	BC 0.33	Vert(TL)	-0.08	6-7	>999	240		
BCLL 0.0 *	Lumber DOL 1.15	WB 0.07	Horz(TL)	0.00	6	n/a	n/a		
BCDL 10.0	Rep Stress Incr YES	(Matrix-M)	Wind(LL)	0.00	7	>999	240		
	Code IRC2012/TPI2007							Weight: 89 lb	FT = 20%

LUMBER-

TOP CHORD 2x4 SP No.2
 BOT CHORD 2x4 SP No.2
 WEBS 2x4 SP No.3

BRACING-

TOP CHORD Structural wood sheathing directly applied or 6-0-0 oc purlins, except end verticals.
 BOT CHORD Rigid ceiling directly applied or 10-0-0 oc bracing.

REACTIONS.

(size) 8=0-3-8, 6=0-5-8
 Max Horz 8=140(LC 7)
 Max Uplift 8=-18(LC 8), 6=-18(LC 8)
 Max Grav 8=575(LC 1), 6=575(LC 1)

FORCES. (lb) - Max. Comp./Max. Ten. - All forces 250 (lb) or less except when shown.

TOP CHORD 2-3=-411/63, 3-4=-411/63, 2-8=-520/48, 4-6=-520/48

NOTES-

- Unbalanced roof live loads have been considered for this design.
- Wind: ASCE 7-10; Vult=120mph (3-second gust) V(IRC2012)=95mph; TCDL=6.0psf, BCDL=6.0psf, h=20ft, B=45ft, L=24ft, eave=4ft; Cat. II; Exp B; enclosed; MWFRS (directional); Lumber DOL=1.60 plate grip DOL=1.60
- This truss has been designed for a 10.0 psf bottom chord live load nonconcurrent with any other live loads.
- * This truss has been designed for a live load of 20.0psf on the bottom chord in all areas with a clearance greater than 6-0-0 between the bottom chord and any other members.
- One H2.5 Simpson Strong-Tie connectors recommended to connect truss to bearing walls due to UPLIFT at jt(s) 8 and 6. This connection is for uplift only and does not consider lateral forces.
- "Semi-rigid pitchbreaks including heels" Member end fixity model was used in the analysis and design of this truss.



March 20, 2020



Design valid for use only with MITek® connectors. This design is based only upon parameters shown, and is for an individual building component, not a truss system. Before use, the building designer must verify the applicability of design parameters and properly incorporate this design into the overall building design. Bracing indicated is to prevent buckling of individual truss web and/or chord members only. Additional temporary and permanent bracing is always required for stability and to prevent collapse with possible personal injury and property damage. For general guidance regarding the fabrication, storage, delivery, erection and bracing of trusses and truss systems, see ANSIT/PH1 Quality Criteria, DSB-89 and BCSI Building Component Safety Information available from Truss Plate Institute, 218 N. Lee Street, Suite 312, Alexandria, VA 22314.

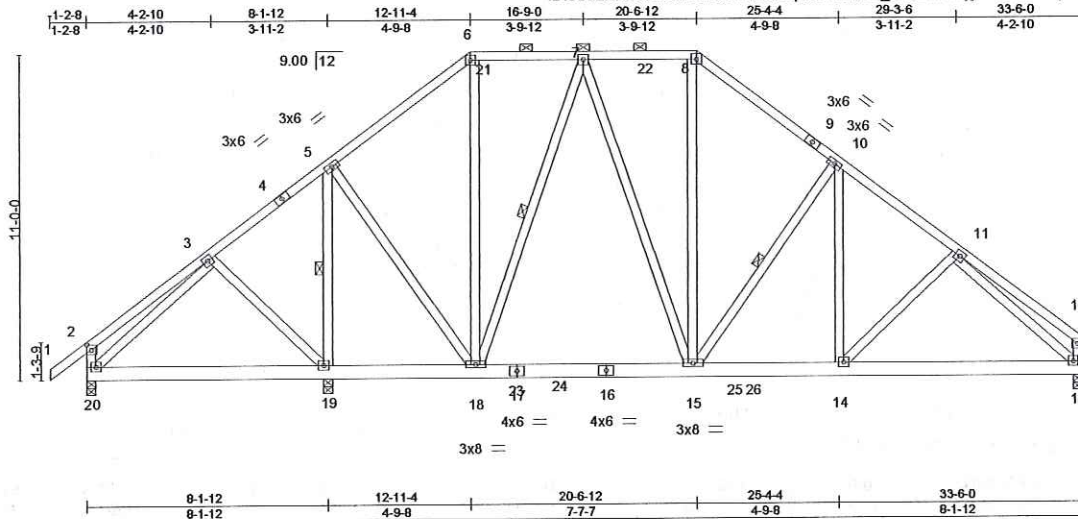


818 Soundside Road
 Edenonton, NC 27932

Job 25003	Truss T05	Truss Type HIP	Qty 5	Ply 1	J.Lee/Smith	140703192
					Job Reference (optional)	

C&R Building Supply, Autryville NC

7.640 s Aug 16 2017 MITek Industries, Inc. Fri Mar 20 11:57:24 2020 Page 1
ID:sUu2KHxSWTaJrWPXBxQ9dezqon6-1Tn7SJ_Mbk2M4Myj7XoJle6x6TpBUQx?MNV_bmZz2U9



Scale = 1:71.9

Plate Offsets (X,Y) - [2,0-2,0,0-1-12]

LOADING (psf)	SPACING-	CSI.	DEFL.	in (loc)	l/defl	L/d	PLATES	GRIP
TCLL 20.0	2-0-0	TC 0.47	Vert(LL)	-0.04 15-18	>999	360	MT20	244/190
TCDL 10.0	Plate Grip DOL 1.15	BC 0.23	Vert(TL)	-0.09 15-18	>999	240		
BCLL 0.0 *	Lumber DOL 1.15	WB 0.62	Horz(TL)	0.02 13	n/a	n/a		
BCDL 10.0	Rep Stress Incr YES	(Matrix-S)	Wind(LL)	0.01 14	>999	240		
	Code IRC2012/TPI2007						Weight: 281 lb	FT = 20%

LUMBER-
 TOP CHORD 2x4 SP 2400F 2.0E
 BOT CHORD 2x6 SP No.1
 WEBS 2x4 SP No.3

BRACING-
 TOP CHORD Structural wood sheathing directly applied, except end verticals, and 2-0-0 oc purlins (6-0-0 max.): 6-8.
 BOT CHORD Rigid ceiling directly applied.
 WEBS 1 Row at midpt 5-19, 7-18, 10-15

REACTIONS. (size) 19=0-3-8, 20=0-3-8, 13=0-3-8
 Max Horz 20=176(LC 7)
 Max Uplift 20=-3(LC 8)
 Max Grav 19=1452(LC 13), 20=471(LC 17), 13=1113(LC 14)

FORCES. (lb) - Max. Comp./Max. Ten. - All forces 250 (lb) or less except when shown.
 TOP CHORD 5-6=-724/88, 6-7=-510/95, 7-8=-775/94, 8-10=-1027/87, 10-11=-1251/32, 11-12=-325/27, 2-20=-264/64, 12-13=-277/25
 BOT CHORD 19-20=-38/292, 15-18=0/691, 14-15=0/928, 13-14=0/947
 WEBS 5-19=-1122/26, 5-18=0/705, 7-18=-503/14, 7-15=0/311, 8-15=0/342, 10-15=-389/62, 11-13=-1059/0

- NOTES-**
- Unbalanced roof live loads have been considered for this design.
 - Wind: ASCE 7-10; Vult=120mph (3-second gust) V(IRC2012)=95mph; TC DL=6.0psf; BCDL=6.0psf; h=20ft; B=45ft; L=24ft; eave=4ft; Cat. II; Exp B; enclosed; MWFRS (directional); Lumber DOL=1.60 plate grip DOL=1.60
 - Provide adequate drainage to prevent water ponding.
 - All plates are 4x4 MT20 unless otherwise indicated.
 - This truss has been designed for a 10.0 psf bottom chord live load nonconcurrent with any other live loads.
 - * This truss has been designed for a live load of 20.0psf on the bottom chord in all areas with a clearance greater than 6-0-0 between the bottom chord and any other members, with BCDL = 10.0psf.
 - One H2.5 Simpson Strong-Tie connectors recommended to connect truss to bearing walls due to UPLIFT at it(s) 19, 20, and 13. This connection is for uplift only and does not consider lateral forces.
 - This truss design requires that a minimum of 7/16" structural wood sheathing be applied directly to the top chord and 1/2" gypsum sheetrock be applied directly to the bottom chord.
 - Graphical purlin representation does not depict the size or the orientation of the purlin along the top and/or bottom chord.



March 20, 2020

Design valid for use only with MITek® connectors. This design is based only upon parameters shown, and is for an individual building component, not a truss system. Before use, the building designer must verify the applicability of design parameters and properly incorporate this design into the overall building design. Bracing indicated is to prevent buckling of individual truss web and/or chord members only. Additional temporary and permanent bracing is always required for stability and to prevent collapse with possible personal injury and property damage. For general guidance regarding the fabrication, storage, delivery, erection and bracing of trusses and truss systems, see ANSITPII Quality Criteria, DSB-89 and BCSI Building Component Safety Information available from Truss Plate Institute, 216 N. Lee Street, Suite 312, Alexandria, VA 22314.

DESIGNED BY
TRENCO
 818 Soundside Road
 Edenton, NC 27932

Job 25003	Truss T05A	Truss Type HIP	Qty 2	Ply 1	J.Lee/Smith	I40703193
--------------	---------------	-------------------	----------	----------	-------------	-----------

C&R Building Supply, Autryville NC

7.640 s Aug 16 2017 MITek Industries, Inc. Fri Mar 20 11:57:25 2020 Page 1

ID:sUu2KHxSWTArjWPXBxQ9deZqon6-VrKWf?_M1ADHwXwhEJYrrf6us9RDtA8ateX7ozZ2U8

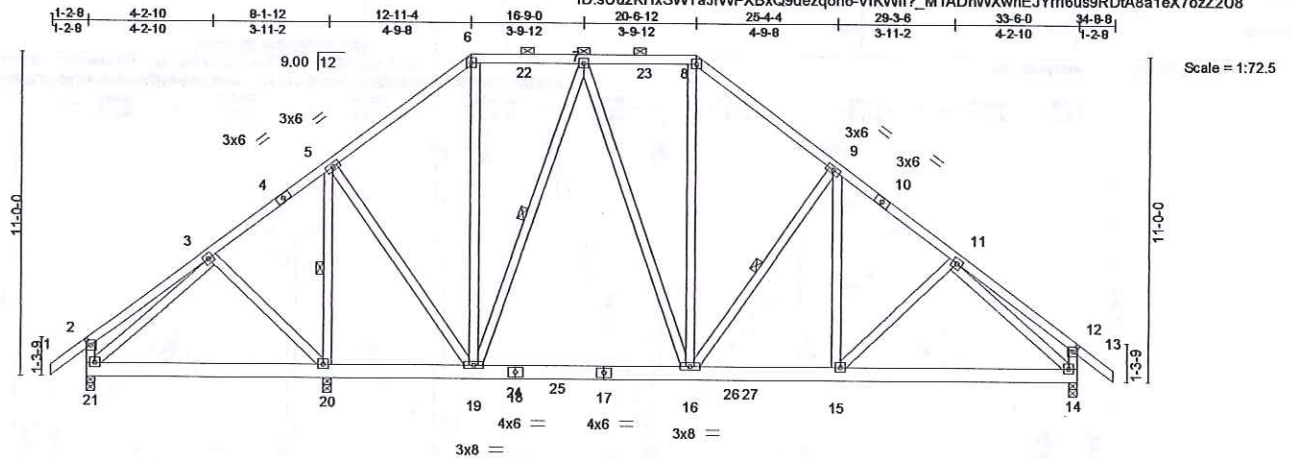


Plate Offsets (X,Y) -	[2:0-2:0,0-1-12], [12:0-2:0,0-1-12]
-----------------------	-------------------------------------

LOADING (psf)	SPACING-	CSI.	DEFL.	PLATES	GRIP
TCLL 20.0	2-0-0	TC 0.47	in (loc) l/defl L/d	MT20	244/190
TCDL 10.0	Plate Grip DOL 1.15	BC 0.22	Vert(LL) -0.04 16-19 >999 360		
BCLL 0.0 *	Lumber DOL 1.15	WB 0.62	Vert(TL) -0.09 16-19 >999 240		
BCDL 10.0	Rep Stress Incr YES	(Matrix-S)	Horz(TL) 0.02 14 n/a n/a		
	Code IRC2012/TPI2007		Wind(LL) 0.01 15 >999 240		
				Weight: 283 lb	FT = 20%

LUMBER-	BRACING-
TOP CHORD 2x4 SP 2400F 2.0E	TOP CHORD Structural wood sheathing directly applied, except end verticals, and 2-0-0 oc purlins (6-0-0 max.): 6-8.
BOT CHORD 2x6 SP No.1	BOT CHORD Rigid ceiling directly applied.
WEBS 2x4 SP No.3	WEBS 1 Row at midpt 5-20, 7-19, 9-16

REACTIONS. (size) 20=0-3-8, 21=0-3-8, 14=0-3-8
 Max Horz 21=181(LC 7)
 Max Uplift 21=-11(LC 8), 14=-3(LC 8)
 Max Grav 20=1453(LC 13), 21=471(LC 17), 14=1188(LC 14)

FORCES. (lb) - Max. Comp./Max. Ten. - All forces 250 (lb) or less except when shown.
 TOP CHORD 5-6=-724/94, 6-7=-510/99, 7-8=-774/97, 8-9=-1026/91, 9-11=-1245/35, 11-12=-320/38, 2-21=-264/65, 12-14=-354/64
 BOT CHORD 20-21=-41/300, 16-19=0/697, 15-16=0/924, 14-15=0/931
 WEBS 5-20=-1122/17, 5-19=0/702, 7-19=-500/11, 7-16=0/308, 8-16=0/341, 9-16=-385/62, 11-14=-1057/0

- NOTES-**
- 1) Unbalanced roof live loads have been considered for this design.
 - 2) Wind: ASCE 7-10; Vult=120mph (3-second gust) V(IRC2012)=95mph; TC DL=6.0psf; BCDL=6.0psf; h=20ft; B=45ft; L=24ft; eave=4ft; Cat. II; Exp B; enclosed; MWFRS (directional); Lumber DOL=1.60 plate grip DOL=1.60
 - 3) Provide adequate drainage to prevent water ponding.
 - 4) All plates are 4x4 MT20 unless otherwise indicated.
 - 5) This truss has been designed for a 10.0 psf bottom chord live load nonconcurrent with any other live loads.
 - 6) * This truss has been designed for a live load of 20.0psf on the bottom chord in all areas with a clearance greater than 6-0-0 between the bottom chord and any other members, with BCDL = 10.0psf.
 - 7) One H2.5 Simpson Strong-Tie connectors recommended to connect truss to bearing walls due to UPLIFT at jt(s) 20, 21, and 14. This connection is for uplift only and does not consider lateral forces.
 - 8) This truss design requires that a minimum of 7/16" structural wood sheathing be applied directly to the top chord and 1/2" gypsum sheetrock be applied directly to the bottom chord.
 - 9) Graphical purlin representation does not depict the size or the orientation of the purlin along the top and/or bottom chord.



March 20, 2020

Design valid for use only with MITek® connectors. This design is based only upon parameters shown, and is for an individual building component, not a truss system. Before use, the building designer must verify the applicability of design parameters and properly incorporate this design into the overall building design. Bracing indicated is to prevent buckling of individual truss web and/or chord members only. Additional temporary and permanent bracing is always required for stability and to prevent collapse with possible personal injury and property damage. For general guidance regarding the fabrication, storage, delivery, erection and bracing of trusses and truss systems, see ANSI/TPI1 Quality Criteria, DSB-09 and BCSI Building Component Safety Information available from Truss Plate Institute, 210 N. Lee Street, Suite 312, Alexandria, VA 22314.



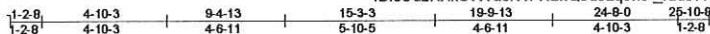
818 Soundside Road
 Edenton, NC 27932

Job 25003	Truss T06	Truss Type HIP	Qty 7	Ply 1	J.Lee/Smith	140703194
--------------	--------------	-------------------	----------	----------	-------------	-----------

C&R Building Supply, Autryville NC

7.640 s Aug 16 2017 MiTek Industries, Inc. Fri Mar 20 11:57:26 2020 Page 1

ID:sUu2KHxSWTaJrWPXBXQ9deZqon6_ruus??c7L14Jf66FymN3CLxGVCyQliphO4fZ2U7



Scale = 1:82.9

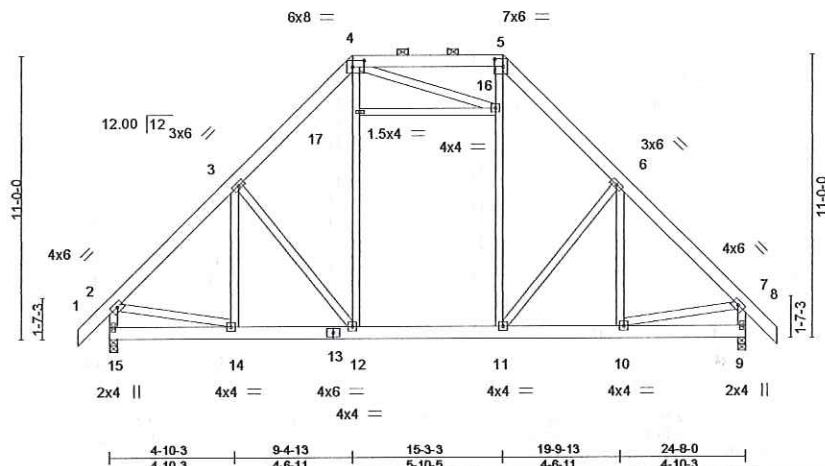


Plate Offsets (X,Y)- [4:0-5-8,0-3-0], [5:0-4-0,0-3-8]

LOADING (psf)	SPACING-	CSI.	DEFL.	in (loc)	l/defl	L/d	PLATES	GRIP
TCLL 20.0	2-0-0	TC 0.19	Vert(LL)	-0.04 10-11	>999	360	MT20	244/190
TCDL 10.0	Plate Grip DOL 1.15	BC 0.19	Vert(TL)	-0.07 10-11	>999	240		
BCLL 0.0 *	Lumber DOL 1.15	WB 0.24	Horz(TL)	0.01 9	n/a	n/a		
BCDL 10.0	Rep Stress Incr YES	(Matrix-M)	Wind(LL)	-0.04 12-14	>999	240		
	Code IRC2012/TPI2007						Weight: 243 lb	FT = 20%

LUMBER-

TOP CHORD 2x6 SP No.1
 BOT CHORD 2x6 SP No.1
 WEBS 2x4 SP No.3

BRACING-

TOP CHORD Structural wood sheathing directly applied or 6-0-0 oc purlins, except end verticals, and 2-0-0 oc purlins (6-0-0 max.): 4-5.
 BOT CHORD Rigid ceiling directly applied or 10-0-0 oc bracing.

REACTIONS.

(size) 15=0-3-8, 9=0-3-8
 Max Horz 15=199(LC 6)
 Max Uplift 15=-7(LC 8), 9=-7(LC 8)
 Max Grav 15=1056(LC 1), 9=1056(LC 1)

FORCES. (lb) - Max. Comp./Max. Ten. - All forces 250 (lb) or less except when shown.

TOP CHORD 2-3=-1001/23, 3-4=-886/99, 4-5=-593/103, 5-6=-886/99, 6-7=-1001/23, 2-15=-1005/32, 7-9=-1005/32
 BOT CHORD 12-14=0/763, 11-12=0/627, 10-11=0/648
 WEBS 12-17=-9/311, 4-17=-9/312, 11-16=-9/310, 5-16=-9/308, 2-14=0/595, 7-10=0/599

NOTES-

- Unbalanced roof live loads have been considered for this design.
- Wind: ASCE 7-10; Vult=120mph (3-second gust) V(IRC2012)=95mph; TCCL=6.0psf; BCCL=6.0psf; h=20ft; B=45ft; L=24ft; eave=4ft; Cat. II; Exp B; enclosed; MWFRS (directional); Lumber DOL=1.60 plate grip DOL=1.60
- Provide adequate drainage to prevent water ponding.
- This truss has been designed for a 10.0 psf bottom chord live load nonconcurrent with any other live loads.
- * This truss has been designed for a live load of 20.0psf on the bottom chord in all areas with a clearance greater than 6-0-0 between the bottom chord and any other members, with BCCL = 10.0psf.
- One H2.5 Simpson Strong-Tie connectors recommended to connect truss to bearing walls due to UPLIFT at jt(s) 15 and 9. This connection is for uplift only and does not consider lateral forces.
- "Semi-rigid pitchbreaks including heels" Member end fixity model was used in the analysis and design of this truss.
- Graphical purlin representation does not depict the size or the orientation of the purlin along the top and/or bottom chord.



March 20,2020



Design valid for use only with MiTek® connectors. This design is based only upon parameters shown, and is for an individual building component, not a truss system. Before use, the building designer must verify the applicability of design parameters and properly incorporate this design into the overall building design. Bracing indicated is to prevent buckling of individual truss web and/or chord members only. Additional temporary and permanent bracing is always required for stability and to prevent collapse with possible personal injury and property damage. For general guidance regarding the fabrication, storage, delivery, erection and bracing of trusses and truss systems, see ANS/TPH Quality Criteria, DSB-89 and BCSI Building Component Safety Information available from Truss Plate Institute, 218 N. Lee Street, Suite 312, Alexandria, VA 22314.



818 Soundside Road
 Edenton, NC 27932

Job 25003	Truss T06A	Truss Type HIP	Qty 6	Ply 1	J.Lee/Smith	140703195
--------------	---------------	-------------------	----------	----------	-------------	-----------

C&R Building Supply, Autryville NC

7.640 s Aug 16 2017 MITek Industries, Inc. Fri Mar 20 11:57:27 2020 Page 1

ID:sUu2KHxSWTaJrWPXBxQ9deZqon6-S2SG4L0FuGxxpIpfM0wGkVUgrQhtWR2L7eChzZ2U6

Job Reference (optional)

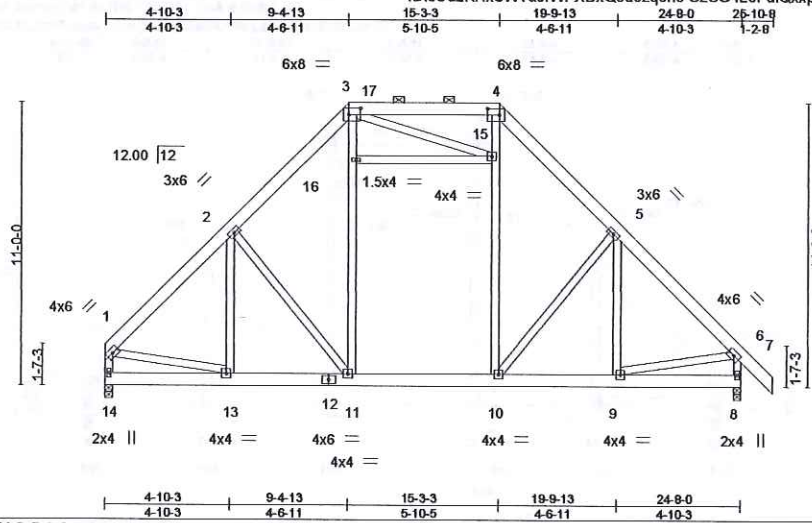


Plate Offsets (X,Y) - [3:0-5-8,0-3-0], [4:0-5-8,0-3-0]

LOADING (psf)	SPACING-	CSI.	DEFL.	PLATES	GRIP
TCLL 20.0	2-0-0	TC 0.20	in (loc) l/defl L/d	MT20	244/190
TCDL 10.0	Plate Grip DOL 1.15	BC 0.19	Vert(LL) -0.05 11-13 >999 360		
BCLL 0.0 *	Lumber DOL 1.15	WB 0.25	Vert(TL) -0.07 11-13 >999 240		
BCDL 10.0	Rep Stress Incr YES	(Matrix-M)	Horz(TL) 0.01 8 n/a n/a		
	Code IRC2012/TPI2007		Wind(LL) -0.04 11-13 >999 240	Weight: 239 lb	FT = 20%

LUMBER-

TOP CHORD 2x6 SP No.1
 BOT CHORD 2x6 SP No.1
 WEBS 2x4 SP No.3

BRACING-

TOP CHORD Structural wood sheathing directly applied or 6-0-0 oc purlins, except end verticals, and 2-0-0 oc purlins (6-0-0 max.); 3-4.
 BOT CHORD Rigid ceiling directly applied or 10-0-0 oc bracing.

REACTIONS.

(size) 14=0-3-8, 8=0-3-8
 Max Horz 14=-190(LC 6)
 Max Uplift 8=-7(LC 8)
 Max Grav 14=973(LC 1), 8=1059(LC 1)

FORCES. (lb) - Max. Comp./Max. Ten. - All forces 250 (lb) or less except when shown.

TOP CHORD 1-2=-1006/18, 2-3=-891/101, 3-4=-594/103, 4-5=-889/99, 5-6=-1004/23, 1-14=-922/1, 6-8=-1007/32
 BOT CHORD 11-13=0/771, 10-11=0/629, 9-10=0/650
 WEBS 11-16=-11/318, 3-16=-11/319, 10-15=-8/311, 4-15=-8/308, 1-13=0/596, 6-9=0/600

NOTES-

- Unbalanced roof live loads have been considered for this design.
- Wind: ASCE 7-10; Vult=120mph (3-second gust) V(IRC2012)=95mph; TCCL=6.0psf; BCDL=6.0psf; h=20ft; B=45ft; L=24ft; eave=4ft; Cat. II; Exp B; enclosed; MWFRS (directional); Lumber DOL=1.60 plate grip DOL=1.60
- Provide adequate drainage to prevent water ponding.
- This truss has been designed for a 10.0 psf bottom chord live load nonconcurrent with any other live loads.
- * This truss has been designed for a live load of 20.0psf on the bottom chord in all areas with a clearance greater than 6-0-0 between the bottom chord and any other members, with BCDL = 10.0psf.
- One H2.5 Simpson Strong-Tie connectors recommended to connect truss to bearing walls due to UPLIFT at jt(s) 14 and 8. This connection is for uplift only and does not consider lateral forces.
- "Semi-rigid pitchbreaks including heels" Member end fixity model was used in the analysis and design of this truss.
- Graphical purlin representation does not depict the size or the orientation of the purlin along the top and/or bottom chord.



March 20, 2020

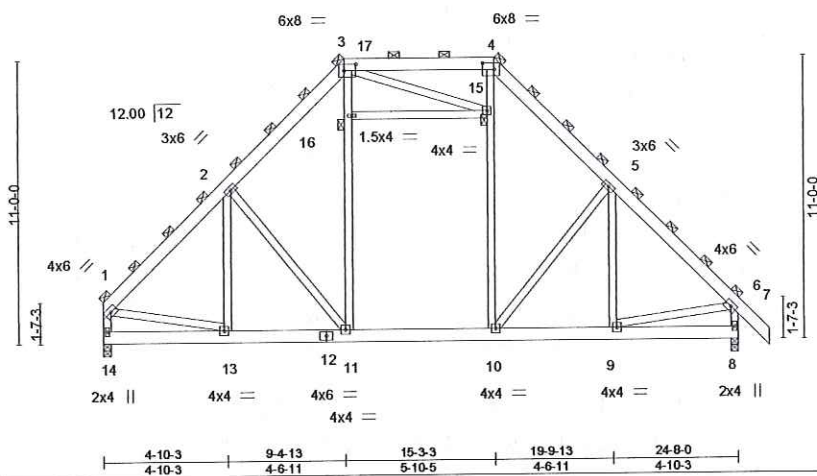
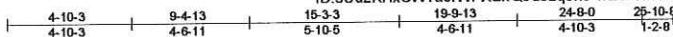
Design valid for use only with MITek® connectors. This design is based only upon parameters shown, and is for an individual building component, not a truss system. Before use, the building designer must verify the applicability of design parameters and properly incorporate this design into the overall building design. Bracing indicated is to prevent buckling of individual truss web and/or chord members only. Additional temporary and permanent bracing is always required for stability and to prevent collapse with possible personal injury and property damage. For general guidance regarding the fabrication, storage, delivery, erection and bracing of trusses and truss systems, see ANSITPI1 Quality Criteria, DSB-89 and BCSI Building Component Safety Information available from Truss Plate Institute, 218 N. Lee Street, Suite 312, Alexandria, VA 22314.



818 Soundside Road
 Edenton, NC 27832

Job 25003	Truss T07	Truss Type HIP	Qty 1	Ply 2	J.Lee/Smith	140703196
--------------	--------------	-------------------	----------	----------	-------------	-----------

C&R Building Supply, Autryville NC 7,640 s Aug 16 2017 MiTek Industries, Inc. Fri Mar 20 11:57:28 2020 Page 1



Scale = 1:83.0

Plate Offsets (X,Y)-	[3:0-5-8,0-3-0], [4:0-5-8,0-3-0]				
LOADING (psf)	SPACING- 5-0-0	CSI.	DEFL. in (loc) l/defl L/d	PLATES	GRIP
TCLL 20.0	Plate Grip DOL 1.15	TC 0.29	Vert(LL) -0.06 11-13 >999 360	MT20	244/190
TCDL 10.0	Lumber DOL 1.15	BC 0.26	Vert(TL) -0.08 11-13 >999 240		
BCLL 0.0 *	Rep Stress Incr NO	WB 0.31	Horz(TL) 0.01 8 n/a n/a		
BCDL 10.0	Code IRC2012/TP12007	(Matrix-M)	Wind(LL) -0.05 11-13 >999 240	Weight: 477 lb	FT = 20%

LUMBER-
TOP CHORD 2x6 SP No.1
BOT CHORD 2x6 SP No.1
WEBS 2x4 SP No.3

BRACING-
TOP CHORD 2-0-0 oc purlins (6-0-0 max.), except end verticals (Switched from sheeted: Spacing > 2-8-0).
BOT CHORD Rigid ceiling directly applied or 10-0-0 oc bracing.
JOINTS 1 Brace at Jt(s): 3, 4, 15, 1, 6, 16

REACTIONS. (size) 14=0-3-8, 8=0-3-8
Max Horz 14=-476(LC 6)
Max Uplift 8=-18(LC 8)
Max Grav 14=2432(LC 1), 8=2646(LC 1)

FORCES. (lb) - Max. Comp./Max. Ten. - All forces 250 (lb) or less except when shown.
TOP CHORD 1-2=-2514/44, 2-3=-2227/252, 3-4=-1486/258, 4-5=-2222/248, 5-6=-2509/57, 1-14=-2304/4, 6-8=-2518/80
BOT CHORD 13-14=-364/560, 11-13=0/1927, 10-11=0/1572, 9-10=0/1624
WEBS 2-13=-276/192, 2-11=-562/231, 11-16=-277/94, 3-16=-277/98, 10-15=-217/78, 4-15=-217/70, 5-10=-534/228, 5-9=-283/193, 1-13=0/1490, 6-9=0/1500

- NOTES-**
- 2-ply truss to be connected together with 10d (0.131"x3") nails as follows:
Top chords connected as follows: 2x6 - 2 rows staggered at 0-9-0 oc, 2x4 - 1 row at 0-9-0 oc.
Bottom chords connected as follows: 2x6 - 2 rows staggered at 0-9-0 oc.
Webs connected as follows: 2x4 - 1 row at 0-9-0 oc.
 - All loads are considered equally applied to all plies, except if noted as front (F) or back (B) face in the LOAD CASE(S) section. Ply to ply connections have been provided to distribute only loads noted as (F) or (B), unless otherwise indicated.
 - Unbalanced roof live loads have been considered for this design.
 - Wind: ASCE 7-10; Vult=120mph (3-second gust) V(IRC2012)=95mph; TC DL=6.0psf, BCDL=6.0psf; h=20ft; B=45ft; L=24ft; eave=4ft; Cat. II; Exp B; enclosed; MWFRS (directional); Lumber DOL=1.60 plate grip DOL=1.60
 - Provide adequate drainage to prevent water ponding.
 - This truss has been designed for a 10.0 psf bottom chord live load nonconcurrent with any other live loads.
 - * This truss has been designed for a live load of 20.0psf on the bottom chord in all areas with a clearance greater than 6-0-0 between the bottom chord and any other members, with BCDL = 10.0psf.
 - One H2.5 Simpson Strong-Tie connectors recommended to connect truss to bearing walls due to UPLIFT at jt(s) 14 and 8. This connection is for uplift only and does not consider lateral forces.
 - "Semi-rigid pitchbreaks including heels" Member end fixity model was used in the analysis and design of this truss.
 - Graphical purlin representation does not depict the size or the orientation of the purlin along the top and/or bottom chord.



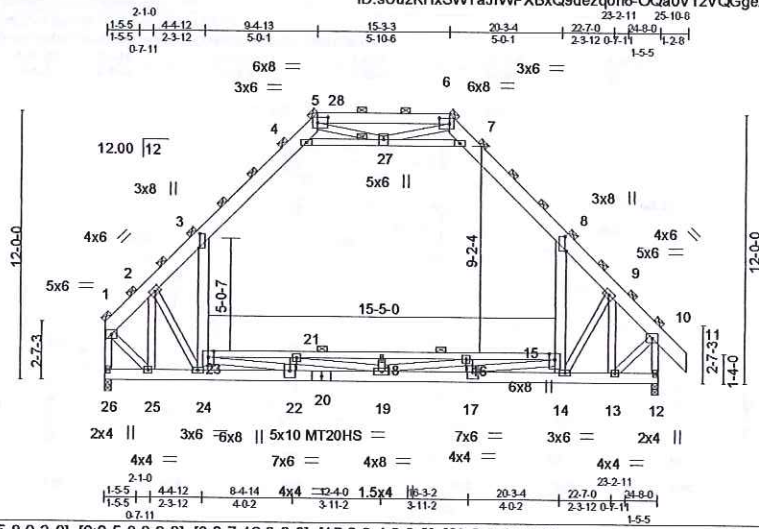
March 20, 2020

Job 25003	Truss T08	Truss Type PIGGYBACK ATTIC	Qty 1	Ply 2	J.Lee/Smith	140703197
--------------	--------------	-------------------------------	----------	----------	-------------	-----------

C&R Building Supply, Atruyville NC

7.640 s Aug 16 2017 MITek Industries, Inc. Fri Mar 20 11:57:29 2020 Page 1

ID:sUu2KHxSWTajrWPXBxQ9dezqon6-OQa0V12VQGgeA7rhw4OU7hpmiULe9dKkVfckGZZ2U4



Scale: 1/8"=1'

Plate Offsets (X,Y)- [3:0-7-12,0-0-8], [5:0-5-8,0-3-0], [6:0-5-8,0-3-0], [8:0-7-12,0-0-8], [15:0-3-4,0-3-0], [23:0-3-4,0-3-0]

LOADING (psf)	SPACING-	CSI.	DEFL.	in (loc)	l/defl	L/d	PLATES	GRIP
TCLL 20.0	Plate Grip DOL 1.15	TC 0.54	Vert(LL)	-0.34	18	>868	MT20	197/144
TCDL 10.0	Lumber DOL 1.15	BC 0.91	Vert(TL)	-0.61	18	>477	MT20HS	187/143
BCLL 0.0 *	Rep Stress Incr NO	WB 0.87	Horz(TL)	0.03	12	n/a		n/a
BCDL 10.0	Code IRC2012/TPI2007	(Matrix-M)	Wind(LL)	-0.08	22-24	>999		240
							Weight: 571 lb	FT = 20%

LUMBER-

TOP CHORD 2x8 SP 2400F 2.0E *Except*
5-6: 2x6 SP No.1
BOT CHORD 2x6 SP 2400F 2.0E *Except*
15-23: 2x4 SPF 2700F 2.0E
WEBS 2x4 SP No.3 *Except*
3-24,8-14: 2x6 SP No.1
4-7,1-26,10-12,22-23,19-21,16-19,15-17: 2x4 SP No.2

BRACING-

TOP CHORD 2-0-0 oc purlins (6-0-0 max.), except end verticals
(Switched from sheeted: Spacing > 2-8-0).
BOT CHORD Rigid ceiling directly applied or 10-0-0 oc bracing. Except:
5-10-0 oc bracing: 15-23
JOINTS 1 Brace at Jt(s): 1, 5, 6, 27, 10

REACTIONS.

(size) 26=0-3-8, 12=0-3-8
Max Horz 26=-657(LC 6)
Max Grav 26=3967(LC 14), 12=4169(LC 15)

FORCES. (lb) - Max. Comp./Max. Ten. - All forces 250 (lb) or less except when shown.

TOP CHORD 1-2=-2619/0, 2-3=-4068/0, 3-4=-2446/324, 4-5=-410/1094, 6-7=-413/1095,
7-8=-2449/321, 8-9=-4046/0, 9-10=-2659/67, 5-6=0/1733, 1-26=-3806/0, 10-12=-4006/0
BOT CHORD 25-26=-595/682, 24-25=-46/2372, 22-24=-257/2563, 19-22=0/7549, 17-19=0/7481,
14-17=0/2051, 13-14=0/1856, 21-23=-5672/0, 18-21=-7981/0, 16-18=-7981/0,
15-16=-5661/0
WEBS 23-24=0/872, 3-23=0/2725, 14-15=-17/861, 8-15=0/2713, 4-27=-4029/325,
7-27=-4039/314, 5-27=-158/681, 6-27=-153/691, 18-19=-869/0, 21-22=-1496/0,
16-17=-1499/0, 22-23=0/6139, 19-21=0/2449, 16-19=0/2500, 15-17=0/6140, 2-25=-2633/0,
1-25=0/2670, 2-24=-300/779, 9-13=-2661/0, 9-14=-283/841, 10-13=0/2624

NOTES-

- 2-ply truss to be connected together with 10d (0.131"x3") nails as follows:
Top chords connected as follows: 2x8 - 2 rows staggered at 0-9-0 oc, 2x6 - 2 rows staggered at 0-9-0 oc, 2x4 - 1 row at 0-9-0 oc.
Bottom chords connected as follows: 2x6 - 2 rows staggered at 0-9-0 oc, 2x4 - 1 row at 0-9-0 oc.
Webs connected as follows: 2x6 - 2 rows staggered at 0-9-0 oc, 2x4 - 1 row at 0-9-0 oc.
- All loads are considered equally applied to all plies, except if noted as front (F) or back (B) face in the LOAD CASE(S) section. Ply to ply connections have been provided to distribute only loads noted as (F) or (B), unless otherwise indicated.
- Unbalanced roof live loads have been considered for this design.
- Wind: ASCE 7-10; Vu1=140mph (3-second gust) V(IRC2012)=111mph; TCDL=6.0psf, BCCL=6.0psf, h=20ft; B=45ft; L=25ft; eave=4ft; Cat. II; Exp B; enclosed; MWFRS (directional); Lumber DOL=1.60 plate grip DOL=1.60
- Provide adequate drainage to prevent water ponding.
- All plates are MT20 plates unless otherwise indicated.
- This truss has been designed for a 10.0 psf bottom chord live load nonconcurrent with any other live loads.
- * This truss has been designed for a live load of 20.0psf on the bottom chord in all areas with a clearance greater than 6-0-0 between the bottom chord and any other members.
- Ceiling dead load (5.0 psf) on member(s). 3-4, 7-8, 4-27, 7-27
- Bottom chord live load (40.0 psf) and additional bottom chord dead load (0.0 psf) applied only to room. 21-23, 18-21, 16-18, 15-16
- "Semi-rigid pitchbreaks including heels" Member end fixity model was used in the analysis and design of this truss.
- Graphical purlin representation does not depict the size or the orientation of the purlin along the top and/or bottom chord.
- Attic room checked for L/360 deflection.



March 20, 2020

Design valid for use only with MITek® connectors. This design is based only upon parameters shown, and is for an individual building component, not a truss system. Before use, the building designer must verify the applicability of design parameters and properly incorporate this design into the overall building design. Bracing indicated is to prevent buckling of individual truss web and/or chord members only. Additional temporary and permanent bracing is always required for stability and to prevent collapse with possible personal injury and property damage. For general guidance regarding the fabrication, storage, delivery, erection and bracing of trusses and truss systems, see ANSI/TPI Quality Criteria, DSB-89 and BCSI Building Component Safety Information available from Truss Plate Institute, 218 N. Lee Street, Suite 312, Alexandria, VA 22314.

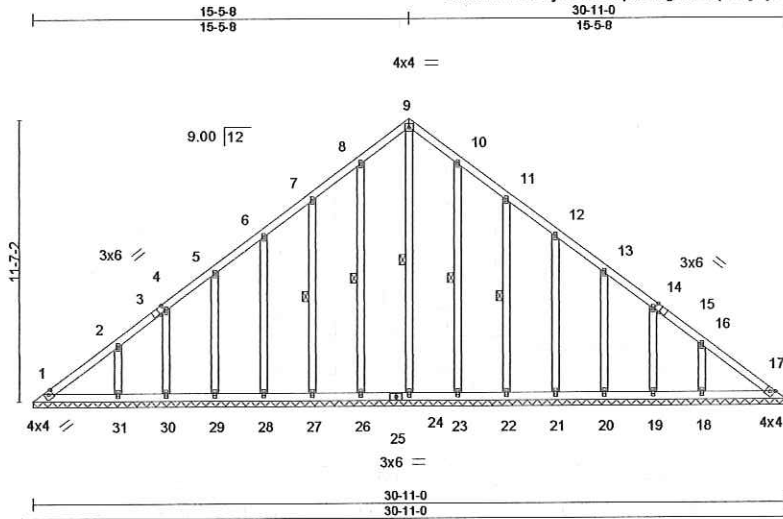


818 Soundside Road
Edenton, NC 27932

Job 25003	Truss V01	Truss Type GABLE	Qty 1	Ply 1	J.Lee/Smith	140703198
--------------	--------------	---------------------	----------	----------	-------------	-----------

C&R Building Supply, Autryville NC

7.640 s Aug 16 2017 MITek Industries, Inc. Fri Mar 20 11:57:31 2020 Page 1
ID:X3nn1UC9HjmB1z811qzaJvzghH3-Kpinwj3lytwMPR?42VQy46vD5HEldj1zy5rL.SzZ2U2



Scale = 1:87.8

Plate Offsets (X,Y) - [3:0-2-13,Edge], [15:0-2-13,Edge]		CSI.		DEFL.		PLATES		GRIP	
LOADING (psf)	SPACING- 2-0-0	TC	0.10	in (loc)	l/defl	L/d	MT20	244/190	
TCLL 20.0	Plate Grip DOL 1.15	BC	0.07	Vert(LL)	n/a	999			
TCDL 10.0	Lumber DOL 1.15	WB	0.11	Vert(TL)	n/a	999			
BCLL 0.0 *	Rep Stress Incr YES	(Matrix)		Horz(TL)	0.01	17			
BCDL 10.0	Code IRC2012/TPI2007						Weight: 222 lb	FT = 20%	

LUMBER-
 TOP CHORD 2x4 SP No.2
 BOT CHORD 2x4 SP No.2
 OTHERS 2x4 SP No.3

BRACING-
 TOP CHORD Structural wood sheathing directly applied or 6-0-0 oc purlins.
 BOT CHORD Rigid ceiling directly applied or 10-0-0 oc bracing.
 WEBS 1 Row at midpt 9-24, 8-26, 7-27, 10-23, 11-22

REACTIONS. All bearings 30-11-0.
 (lb) - Max Horz 1=-191(LC 6)
 Max Uplift All uplift 100 lb or less at joint(s) 1, 26, 27, 28, 29, 30, 31, 23, 22, 21, 20, 19, 18
 Max Grav All reactions 250 lb or less at joint(s) 1, 24, 26, 27, 28, 29, 30, 23, 22, 21, 20, 19, 17 except
 31=252(LC 13), 18=252(LC 14)

FORCES. (lb) - Max. Comp./Max. Ten. - All forces 250 (lb) or less except when shown.

NOTES-

- Unbalanced roof live loads have been considered for this design.
- Wind: ASCE 7-10; Vult=120mph (3-second gust) V(IRC2012)=95mph; TCDL=6.0psf; BCDL=6.0psf; h=20ft; B=45ft; L=24ft; eave=4ft; Cat. II; Exp B; enclosed; MWFRS (directional); Lumber DOL=1.60 plate grip DOL=1.60
- All plates are 1.5x4 MT20 unless otherwise indicated.
- Gable requires continuous bottom chord bearing.
- This truss has been designed for a 10.0 psf bottom chord live load nonconcurrent with any other live loads.
- * This truss has been designed for a live load of 20.0psf on the bottom chord in all areas with a clearance greater than 6-0-0 between the bottom chord and any other members, with BCDL = 10.0psf.
- N/A
- "Semi-rigid pitchbreaks including heels" Member end fixity model was used in the analysis and design of this truss.



March 20, 2020



Design valid for use only with MITek® connectors. This design is based only upon parameters shown, and is for an individual building component, not a truss system. Before use, the building designer must verify the applicability of design parameters and properly incorporate this design into the overall building design. Bracing indicated is to prevent buckling of individual truss web and/or chord members only. Additional temporary and permanent bracing is always required for stability and to prevent collapse with possible personal injury and property damage. For general guidance regarding the fabrication, storage, delivery, erection and bracing of trusses and truss systems, see ANSVTP11 Quality Criteria, DSB-89 and BCSI Building Component Safety Information available from Truss Plate Institute, 218 N. Lee Street, Suite 312, Alexandria, VA 22314.

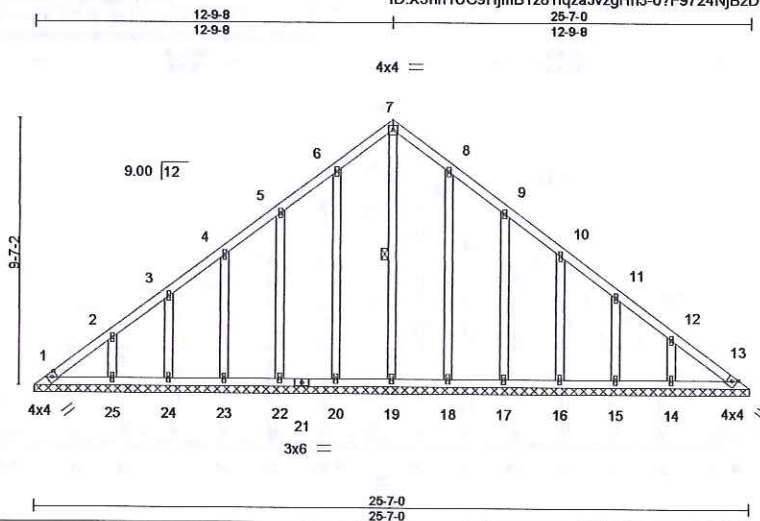


818 Soundside Road
 Edenton, NC 27932

Job 25003	Truss V02	Truss Type GABLE	Qty 1	Ply 1	J.Lee/Smith	140703199
--------------	--------------	---------------------	----------	----------	-------------	-----------

C&R Building Supply, Autryville NC

7.640 s Aug 16 2017 MITek Industries, Inc. Fri Mar 20 11:57:32 2020 Page 1
ID:X3nn1UC9HjmB1z81lqzaJvzghh3-o?F9724NJ82D1aaGbCx8dKRPQhauM9HABcrPtuzZ2U1



Scale = 1:76.6

LOADING (psf)	SPACING- 2-0-0	CSI.	DEFL. in (loc)	L/defl	L/d	PLATES	GRIP
TCLL 20.0	Plate Grip DOL 1.15	TC 0.06	Vert(LL) n/a	- n/a	999	MT20	244/190
TCDL 10.0	Lumber DOL 1.15	BC 0.04	Vert(TL) n/a	- n/a	999		
BCLL 0.0 *	Rep Stress Incr YES	WB 0.15	Horz(TL) 0.00	13	n/a		
BCDL 10.0	Code IRC2012/TPI2007	(Matrix)				Weight: 165 lb	FT = 20%

LUMBER-
TOP CHORD 2x4 SP No.2
BOT CHORD 2x4 SP No.2
OTHERS 2x4 SP No.3

BRACING-
TOP CHORD Structural wood sheathing directly applied or 6-0-0 oc purlins.
BOT CHORD Rigid ceiling directly applied or 10-0-0 oc bracing.
WEBS 1 Row at midpt 7-19

REACTIONS. All bearings 25-7-0.
(lb) - Max Horz 1=157(LC 7)
Max Uplift All uplift 100 lb or less at joint(s) 1, 20, 22, 23, 24, 25, 18, 17, 16, 15, 14
Max Grav All reactions 250 lb or less at joint(s) 1, 13, 19, 20, 22, 23, 24, 25, 18, 17, 16, 15, 14

FORCES. (lb) - Max. Comp./Max. Ten. - All forces 250 (lb) or less except when shown.

NOTES-

- Unbalanced roof live loads have been considered for this design.
- Wind: ASCE 7-10; Vult=120mph (3-second gust) V(IRC2012)=95mph; TCDL=6.0psf; BCDL=6.0psf; h=20ft; B=45ft; L=24ft; eave=4ft; Cat. II; Exp B; enclosed; MWFRS (directional); Lumber DOL=1.60 plate grip DOL=1.60
- All plates are 1.5x4 MT20 unless otherwise indicated.
- Gable requires continuous bottom chord bearing.
- This truss has been designed for a 10.0 psf bottom chord live load nonconcurrent with any other live loads.
- * This truss has been designed for a live load of 20.0psf on the bottom chord in all areas with a clearance greater than 6-0-0 between the bottom chord and any other members, with BCDL = 10.0psf.
- N/A
- "Semi-rigid pitchbreaks including heels" Member end fixity model was used in the analysis and design of this truss.



March 20, 2020

Design valid for use only with MITek® connectors. This design is based only upon parameters shown, and is for an individual building component, not a truss system. Before use, the building designer must verify the applicability of design parameters and properly incorporate this design into the overall building design. Bracing indicated is to prevent buckling of individual truss web and/or chord members only. Additional temporary and permanent bracing is always required for stability and to prevent collapse with possible personal injury and property damage. For general guidance regarding the fabrication, storage, delivery, erection and bracing of trusses and truss systems, see ANSITP1 Quality Criteria, DSB-89 and BCSI Building Component Safety Information available from Truss Plate Institute, 218 N. Lee Street, Suite 312, Alexandria, VA 22314.



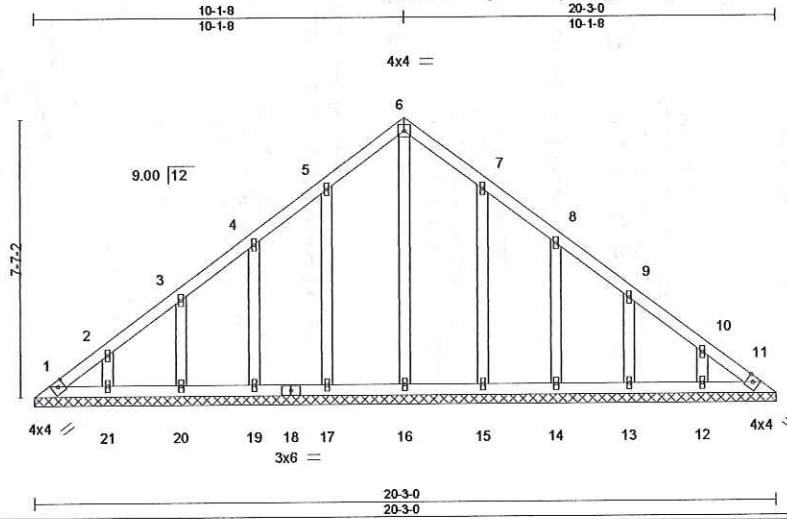
818 Soundside Road
Edenton, NC 27932

Job 25003	Truss V03	Truss Type GABLE	Qty 1	Ply 1	J.Lee/Smith 140703200
--------------	--------------	---------------------	----------	----------	--------------------------

C&R Building Supply, Atryville NC

7.640 s Aug 16 2017 MiTek Industries, Inc. Fri Mar 20 11:57:33 2020 Page 1

ID:X3nn1UC9HjmB1z81lqzaJvzgHh3-GBpXKO5?UVB4fk8S9wTQAX_aN5wz5dQKQGayPLzz2U0



LOADING (psf)	SPACING-	2-0-0	CSI.	DEFL.	in (loc)	l/defl	L/d	PLATES	GRIP
TCLL 20.0	Plate Grip DOL	1.15	TC 0.05	Vert(LL)	n/a	-	n/a	MT20	244/190
TCDL 10.0	Lumber DOL	1.15	BC 0.05	Vert(TL)	n/a	-	n/a		
BCLL 0.0 *	Rep Stress Incr	YES	WB 0.09	Horz(TL)	0.00	11	n/a	Weight: 115 lb	FT = 20%
BCDL 10.0	Code IRC2012/TPI2007		(Matrix)						

LUMBER-	BRACING-
TOP CHORD 2x4 SP No.2	TOP CHORD Structural wood sheathing directly applied or 6-0-0 oc purlins.
BOT CHORD 2x4 SP No.2	BOT CHORD Rigid ceiling directly applied or 10-0-0 oc bracing.
OTHERS 2x4 SP No.3	

REACTIONS. All bearings 20-3-0.
 (lb) - Max Horz 1=-123(LC 6)
 Max Uplift All uplift 100 lb or less at joint(s) 1, 12, 13, 14, 15, 21, 20, 19, 17
 Max Grav All reactions 250 lb or less at joint(s) 1, 11, 16, 12, 13, 14, 15, 21, 20, 19, 17

FORCES. (lb) - Max. Comp./Max. Ten. - All forces 250 (lb) or less except when shown.

- NOTES-**
- Unbalanced roof live loads have been considered for this design.
 - Wind: ASCE 7-10; Vult=120mph (3-second gust) V(IRC2012)=95mph; TCCL=6.0psf; BCDL=6.0psf; h=20ft; B=45ft; L=24ft; eave=4ft; Cat. II; Exp B; enclosed; MWFRS (directional); Lumber DOL=1.60 plate grip DOL=1.60
 - All plates are 1.5x4 MT20 unless otherwise indicated.
 - Gable requires continuous bottom chord bearing.
 - This truss has been designed for a 10.0 psf bottom chord live load nonconcurrent with any other live loads.
 - * This truss has been designed for a live load of 20.0psf on the bottom chord in all areas with a clearance greater than 6-0-0 between the bottom chord and any other members, with BCDL = 10.0psf.
 - N/A
 - "Semi-rigid pitchbreaks including heels" Member end fixity model was used in the analysis and design of this truss.

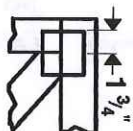


March 20, 2020

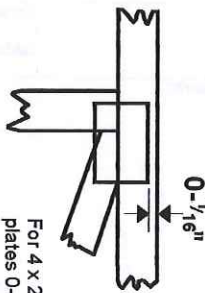
<p>Design valid for use only with MiTek® connectors. This design is based only upon parameters shown, and is for an individual building component, not a truss system. Before use, the building designer must verify the applicability of design parameters and properly incorporate this design into the overall building design. Bracing indicated is to prevent buckling of individual truss web and/or chord members only. Additional temporary and permanent bracing is always required for stability and to prevent collapse with possible personal injury and property damage. For general guidance regarding the fabrication, storage, delivery, erection and bracing of trusses and truss systems, see ANSV/TP11 Quality Criteria, DSB-09 and BCSI Building Component Safety Information available from Truss Plate Institute, 218 N. Lee Street, Suite 312, Alexandria, VA 22314.</p>	<p>ENGINEERED BY TRENCO <small>A LITTLE MORE</small></p> <p>818 Soundside Road Edenton, NC 27932</p>
--	---

Symbols

PLATE LOCATION AND ORIENTATION



Center plate on joint unless X, Y offsets are indicated. Dimensions are in 8-in-sixteenths. Apply plates to both sides of truss and fully embed teeth.



For 4 x 2 orientation, locate plates 0- $\frac{1}{16}$ " from outside edge of truss.



This symbol indicates the required direction of slots in connector plates.

* Plate location details available in MITek 2020 software or upon request.

PLATE SIZE

4 X 4

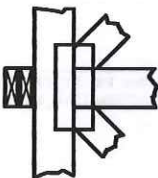
The first dimension is the plate width measured perpendicular to slots. Second dimension is the length parallel to slots.

LATERAL BRACING LOCATION



Indicated by symbol shown and/or by text in the bracing section of the output. Use T or I bracing if indicated.

BEARING



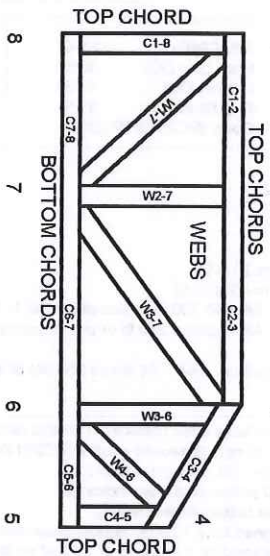
Indicates location where bearings (supports) occur. Icons vary but reaction section indicates joint number where bearings occur. Min size shown is for crushing only.

Industry Standards:

ANSI/TPI1: National Design Specification for Metal Plate Connected Wood Truss Construction.
DSB-89: Design Standard for Bracing.
BCSI: Building Component Safety Information, Guide to Good Practice for Handling, Installing & Bracing of Metal Plate Connected Wood Trusses.

Numbering System

6-4-8 dimensions shown in 8-in-sixteenths (Drawings not to scale)



JOINTS ARE GENERALLY NUMBERED/CLOCKWISE AROUND THE TRUSS STARTING AT THE JOINT FARTHEST TO THE LEFT.

CHORDS AND WEBS ARE IDENTIFIED BY END JOINT NUMBERS/LETTERS.

PRODUCT CODE APPROVALS

ICC-ES Reports:

ESR-1311, ESR-1352, ESR1988
ER-3907, ESR-2362, ESR-1397, ESR-3282

Trusses are designed for wind loads in the plane of the truss unless otherwise shown.

Lumber design values are in accordance with ANSI/TPI 1 section 6.3 These truss designs rely on lumber values established by others.

© 2012 MITek® All Rights Reserved



MITek Engineering Reference Sheet: MI1-7473 rev. 10/03/2015

General Safety Notes

Failure to Follow Could Cause Property Damage or Personal Injury

- Additional stability bracing for truss system, e.g. diagonal or X-bracing, is always required. See BCSI.
- Truss bracing must be designed by an engineer. For wide truss spacing, individual lateral braces themselves may require bracing, or alternative for bracing should be considered.
- Never exceed the design loading shown and never stack materials on inadequately braced trusses.
- Provide copies of this truss design to the building designer, erection supervisor, property owner and all other interested parties.
- Cut members to bear tightly against each other.
- Place plates on each face of truss at each joint and embed fully. Knots and wane at joint locations are regulated by ANSI/TPI 1.
- Design assumes trusses will be suitably protected from the environment in accord with ANSI/TPI 1.
- Unless otherwise noted, moisture content of lumber shall not exceed 19% at time of fabrication.
- Unless expressly noted, this design is not applicable for use with fire retardant, preservative treated, or green lumber.
- Carbide is a non-structural consideration and is the responsibility of truss fabricator. General practice is to camber for dead load deflection.
- Plate type, size, orientation and location dimensions indicated are minimum plating requirements.
- Lumber used shall be of the species and size, and in all respects, equal to or better than that specified.
- Top chords must be sheathed or purlins provided at spacing indicated on design.
- Bottom chords require lateral bracing at 10 ft. spacing, or less, if no ceiling is installed, unless otherwise noted.
- Connections not shown are the responsibility of others.
- Do not cut or alter truss member or plate without prior approval of an engineer.
- Install and load vertically unless indicated otherwise.
- Use of green or treated lumber may pose unacceptable environmental, health or performance risks. Consult with project engineer before use.
- Review all portions of this design (front, back, words and pictures) before use. Reviewing pictures alone is not sufficient.
- Design assumes manufacture in accordance with ANSI/TPI 1 Quality Criteria.


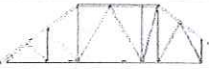
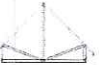
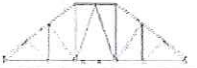
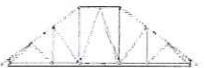
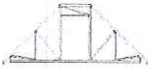
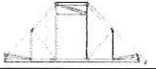
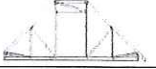
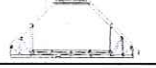
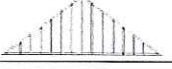

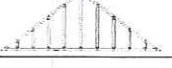
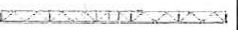





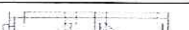
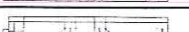
C & R Building Supply 2300 Earnest Williams Road Autryville, NC 28318 (910) 567-6293 Fax: (910) 567-5008			To: JAMES LEE			Quotation		
Project: SMITH		Block No:		Job Number: 25003				
Model:		Lot No:		Page: 3				
Contact:	Site:	Office:		Date: 03/23/20 10:43:07				
Name:			Deliver To:		Account No: 000000275			
Phone:					Designer:			
Fax:					Estimator:			
				Salesperson: David Williams III				
				Quote Number: 25003				
				P.O. Number:				

Miscellaneous Items
Quantity: Description:

3	18 X 1 3/4	22-00-00
130	One H2.5	
4	One MTS12	
4	SUL26	
4	SUR26	
6	THA422	

DISCLAIMER* *IT IS THE RESPONSIBILITY OF THE BUILDER/CONTRACTOR TO REVIEW AND APPROVE ALL DRAWINGS.*	Total Truss Price:	\$11,354.00
	Miscellaneous Items:	\$671.98
	Sub Total:	\$12,025.98
	Delivery:	\$125.00
	Sales Tax: 7.000%	\$841.82
	Selling Price	\$12,992.80

C & R Building Supply 2300 Earnest Williams Road Autryville, NC 28318 (910) 567-6293 Fax: (910) 567-5008		To: JAMES LEE		Quotation	
Project: SMITH Block No:		Job Number: 25003		Page: 2	
Model: Lot No:		Date: 03/23/20 10:43:05		Account No: 000000275	
Contact:	Site:	Office:	Designer:		
Name:			Estimator:		
Phone:			Salesperson: David Williams III		
Fax:			Quote Number: 25003		
Deliver To:			P.O. Number:		

Profile:	Qty:	Truss Id:	Span:	Truss Type:	Slope	LOH	ROH	
	3	T01	19-02-00	COMMON	9.00	01-02-08		
	16	T02	39-10-00	HIP	9.00	01-02-08	01-02-08	
	2	T04	12-07-08	COMMON	12.00	01-02-08	01-02-08	
	5	T05	33-06-00	HIP	9.00	01-02-08		
	2	T05A	33-06-00	HIP	9.00	01-02-08	01-02-08	
	7	T06	24-08-00	HIP	12.00	01-02-08	01-02-08	
	6	T06A	24-08-00	HIP	12.00		01-02-08	
	1	T07	24-08-00	HIP	12.00		01-02-08	
	1	T08	24-08-00	PIGGYBACK	12.00		01-02-08	
	1	V01	30-11-00	GABLE	9.00			
	1	V02	25-07-00	GABLE	9.00			
	1	V03	20-03-00	GABLE	9.00			
	8	F01	24-08-00	ROOF TRUSS	01-04-00			
	1	F02	12-07-08	ROOF TRUSS	01-04-00			
	1	F02A	12-07-08	ROOF TRUSS	01-04-00			
	1	F03	07-09-08	ROOF TRUSS	01-04-00			
	1	F03A	07-09-08	ROOF TRUSS	01-04-00			
	1	FG01	24-08-00	ROOF TRUSS	01-04-00			
	1	FG02	03-08-00	ROOF TRUSS	01-04-00			
	1	FG02A	03-08-00	ROOF TRUSS	01-04-00			

C & R Building Supply
2300 Earnest Williams Road
Autryville, NC 28318
(910) 567-6293 Fax: (910) 567-5008




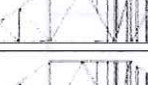
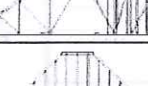


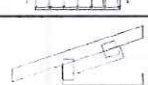
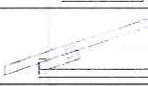
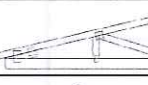
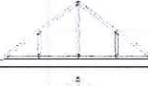
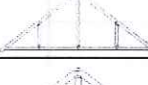


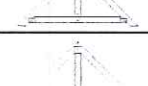




To:
JAMES LEE

Quotation

Job Number: **25003**
 Page: **1**
 Date: **03/23/20 10:43:01**
 Account No: **000000275**
 Designer:
 Estimator:
 Salesperson: **David Williams III**
 Quote Number: **25003**
 P.O. Number:

Project: SMITH Block No:
 Model: Lot No:
 Contact: Site: Office:
 Name:
 Phone:
 Fax:

Deliver To:

Profile:	Qty:	Truss Id:	Span:	Truss Type:	Slope	LOH	ROH	
	4	AT01	24-08-00	PIGGYBACK	12.00	01-02-08	01-02-08	
	2	AT01A	24-08-00	PIGGYBACK	12.00		01-02-08	
	1	GE01	19-02-00	GABLE	9.00	01-02-08		
	1	GE02	39-10-00	GABLE	9.00	01-02-08	01-02-08	
	1	GE02A	39-10-00	GABLE	9.00	01-02-08	01-02-08	
	1	GE03	24-08-00	GABLE	12.00	01-02-08	01-02-08	
	1	GE04	24-08-00	GABLE	12.00	01-02-08	01-02-08	
	1	GE05	12-07-08	GABLE	12.00	01-02-08	01-02-08	
	4	J01	01-10-15	JACK	4.00	01-02-08		
	4	J02	03-10-15	JACK	4.00	01-02-08		
	2	JR02	08-00-13	MONO TRUSS	2.83	01-08-08		
	2	PB01	15-02-08	GABLE	9.00			
	18	PB02	15-02-08	GABLE	9.00			
	7	PB04	06-02-07	GABLE	9.00			
	1	PB05	04-08-07	GABLE	12.00			
	15	PB06	04-08-07	GABLE	12.00			
	1	PB07	04-08-07	GABLE	12.00			
	7	PB08	04-08-07	GABLE	12.00			
	4	PJ01	05-10-08	MONO TRUSS	4.00	01-02-08		
	22	PJ01A	05-10-08	MONO TRUSS	4.00	01-02-08		