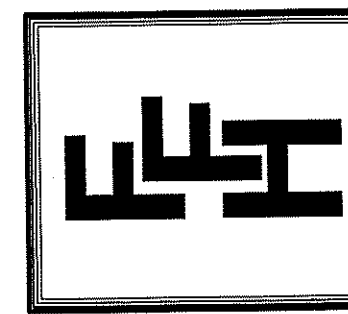


THIS PLAN IS DESIGNED TO MEET THE REQUIREMENTS OF THE NORTH CAROLINA RESIDENTIAL CODE 2018 EDITION

NOTICE TO CONTRACTOR
 APPROVED
 04/16/2020
 Harnett COUNTY
 NORTH CAROLINA

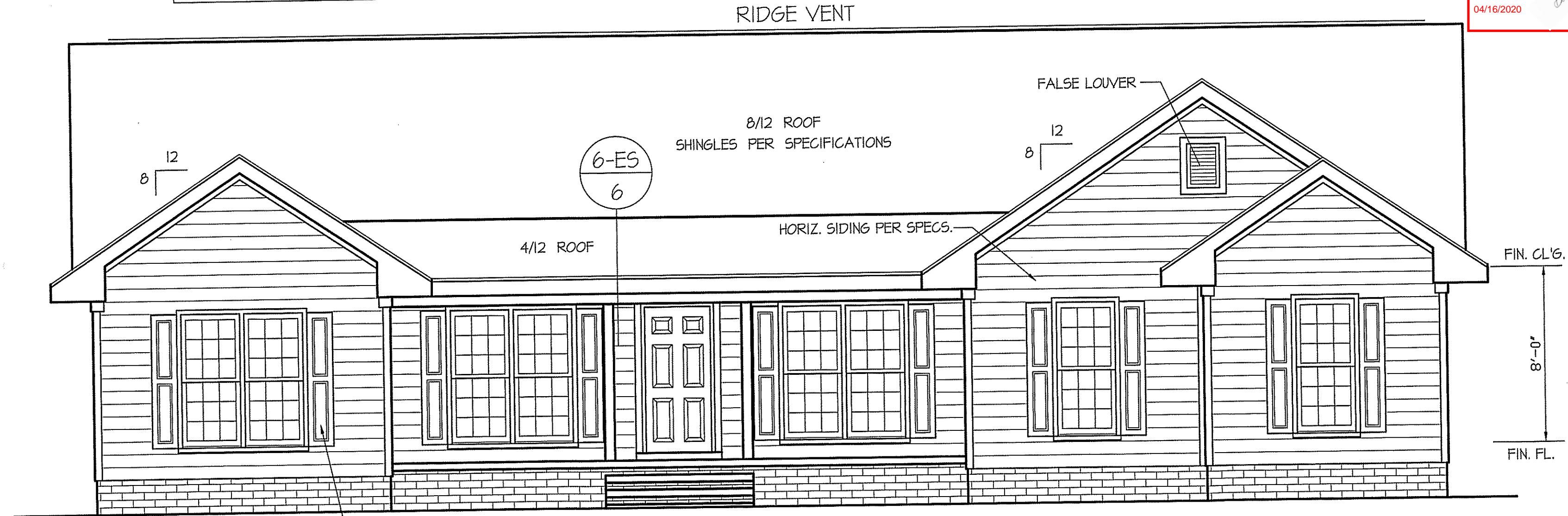
DATE:
 APRIL-2020

FREEDOM FAMILY HOMES
 P.O. BOX 608
 DUNN, N.C. - 28335
 O: (910) 892-1231 FAX: (910) 892-5680
 © 2016, FREEDOM FAMILY HOMES



EXCLUSIVE PLAN FOR
 FREEDOM FAMILY HOMES
BURLINGTON II
 SIDE ENTRY GARAGE - PORCH
 "REVERSED"

SHEET NO.
1



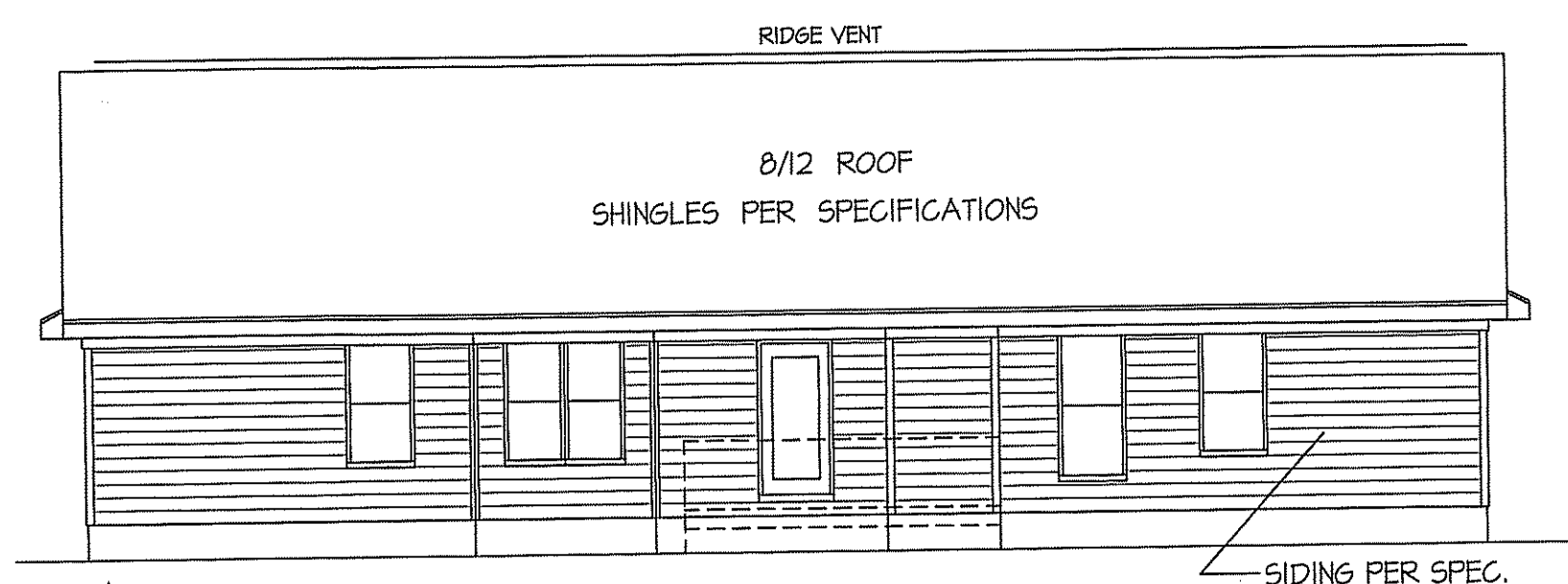
FRONT ELEVATION
 SCALE: 1/4" = 1'-0"

INSULATION and FENESTRATION REQUIREMENTS

CLIMATE ZONE	ZONE-3	ZONE-4
FENESTRATION U-FACTOR	0.35	0.35
GLAZED FENESTRATION SHGC	0.30	0.30
MINIMUM CEILING R-VALUE	R-38	R-38
MINIMUM WALL R-VALUE	R-15, I3+2.5	R-15, I3+2.5
MINIMUM FLOOR R-VALUE	R-19	R-19
MIN. CRAWL SPACE WALL R-VALUE	5/I3	10/I5
MIN. SLAB R-VALUE	0	R-10

PROVIDE STEPS AS REQUIRED
 GRADE MAY VARY - BUILDER TO VERIFY

ALL EXTERIOR WALLS TO BE
 SHEATHED WITH CS-MSP (7/16" OSB)
 IN ACCORDANCE WITH SECTION
 R602.10.3 UNLESS OTHERWISE NOTED.

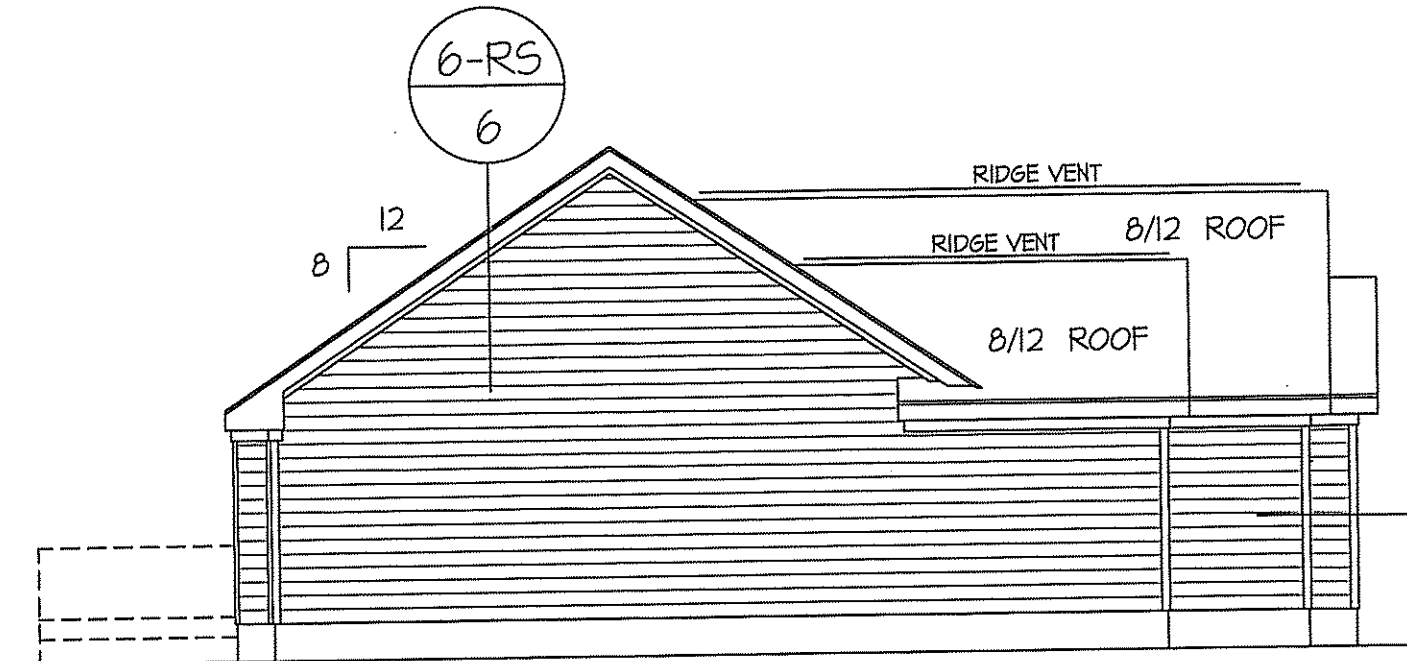


REAR ELEVATION
 SCALE: 1/8" = 1'-0"

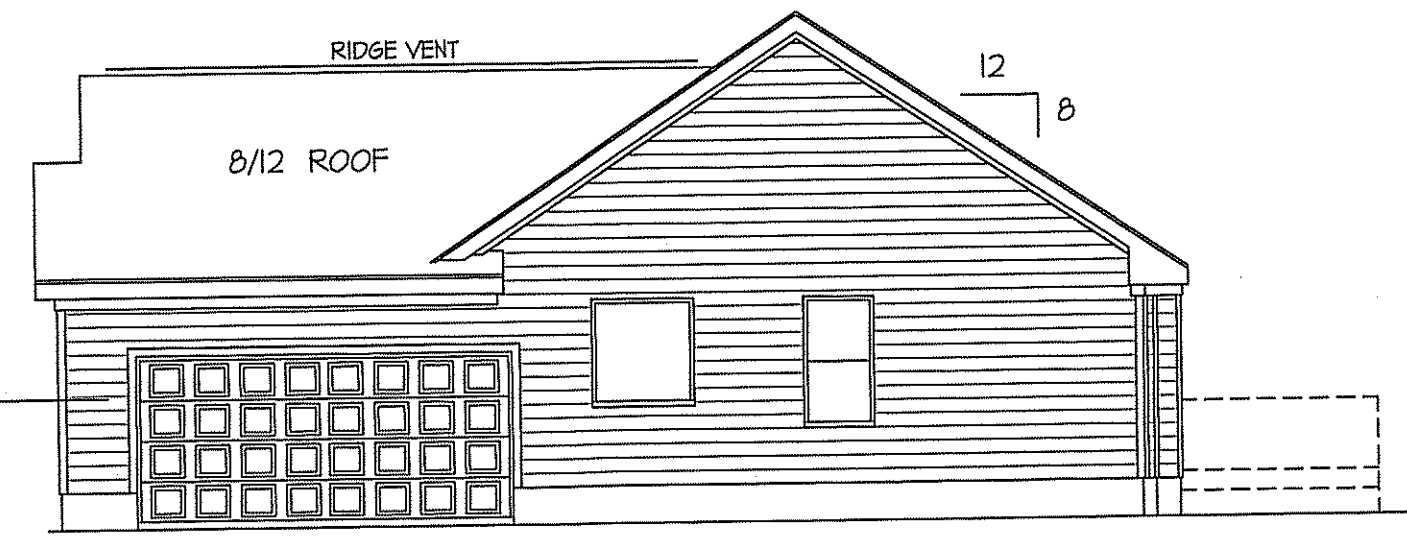
ROOF VENTILATION REQ'MTS.
 2281 ATTIC SQ. FT. / 300 = 7.60
 PROVIDED ON PLAN
 86 LF. - RIDGE VENT = 16.13
 141 L.F. SOFFIT VENT = 8.81
 TOTAL = 24.94 S.F. FREE NET AREA

WIND ZONES (PER TABLE R301.2(4))

COUNTY	MPH
HARNETT	120
JOHNSTON	120
SAMPSON	130
WAKE	115



LEFT ELEVATION
 SCALE: 1/8" = 1'-0"



RIGHT ELEVATION
 SCALE: 1/8" = 1'-0"

COMPUTER FILED: FREEDOM FAMILY HOMES - APRIL-2020 - BURLINGTON II W/ SIDE ENTRY GARAGE

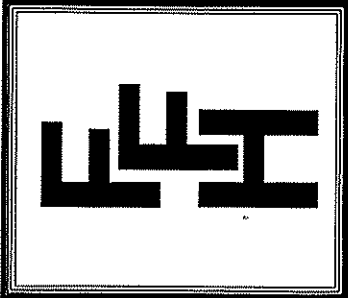
COMPUTER FILED: FREEDOM FAMILY HOMES - APRIL-2020 - BURLINGTON II w/ SIDE ENTRY GARAGE

HEADER SCHEDULE		
SYMBOL #	SIZE	JACKS
H-1	(2) 2x10	1
H-2	(2) 2x10	2
H-3	(2) 2x8	2
H-4	(2) 2x12	2
H-5	(2) 1.75 x 9.25 LVL	3

WIND ZONES (PER TABLE R301.2(4))	
COUNTY	MPH
HARNETT	120
JOHNSTON	120
SAMPSON	130
WAKE	115

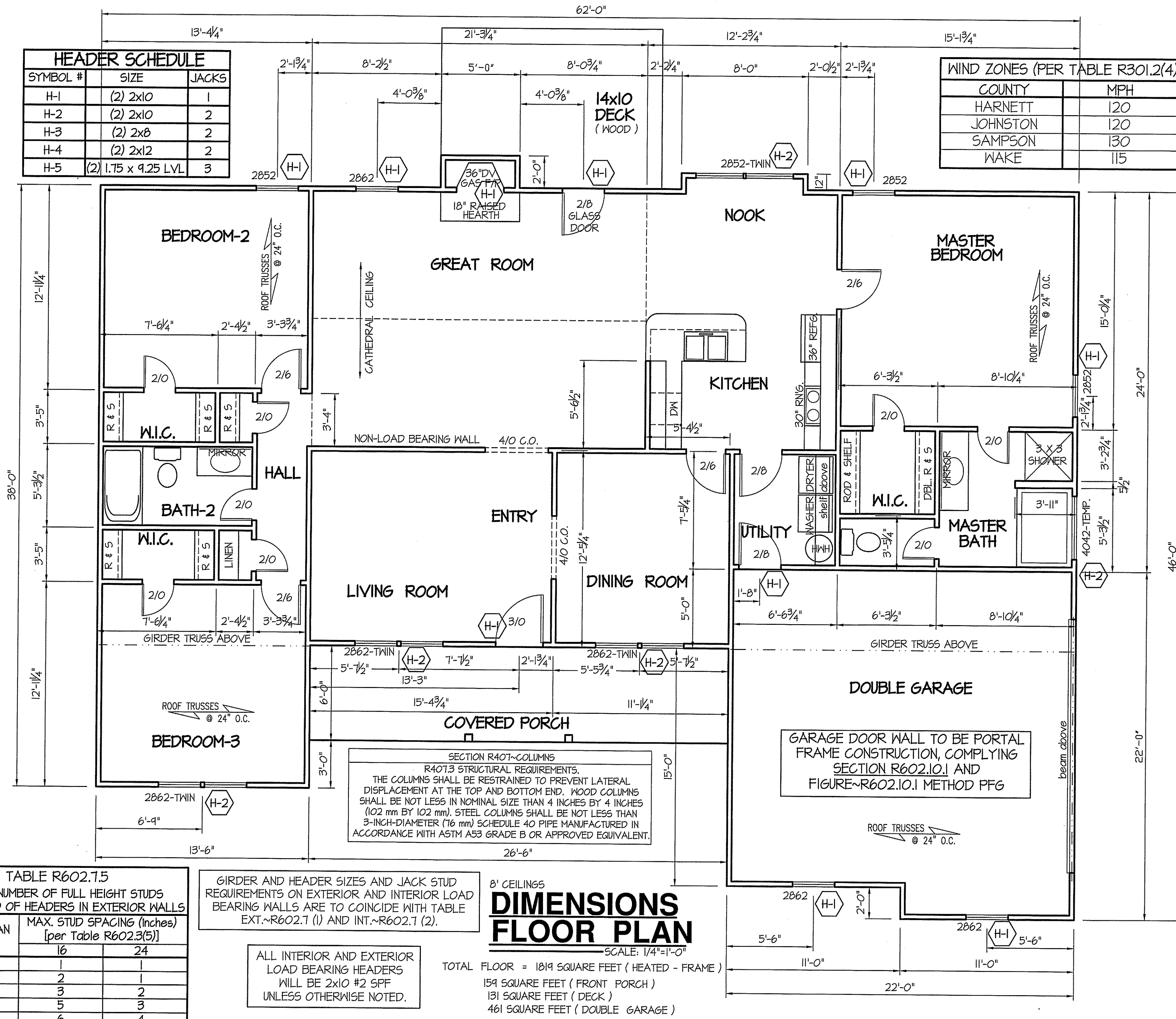
DATE:
APRIL-2020

FREEDOM FAMILY HOMES
P.O. BOX 608
DUNN, N.C. - 28335
O: (910) 892-1231 FAX: (910) 892-5680
© 2016, FREEDOM FAMILY HOMES



EXCLUSIVE PLAN FOR
FREEDOM FAMILY HOMES
BURLINGTON II
SIDE ENTRY GARAGE - PORCH
"REVERSED"

PLAN:
SHEET NO.
2



SECTION R407-COLUMNS
R407.3 STRUCTURAL REQUIREMENTS.
THE COLUMNS SHALL BE RESTRAINED TO PREVENT LATERAL DISPLACEMENT AT THE TOP AND BOTTOM END. WOOD COLUMNS SHALL BE NOT LESS IN NOMINAL SIZE THAN 4 INCHES BY 4 INCHES (102 mm BY 102 mm). STEEL COLUMNS SHALL BE NOT LESS THAN 3-INCH-DIAMETER (76 mm) SCHEDULE 40 PIPE MANUFACTURED IN ACCORDANCE WITH ASTM A53 GRADE B OR APPROVED EQUIVALENT.

GARAGE DOOR WALL TO BE PORTAL FRAME CONSTRUCTION, COMPLYING SECTION R602.10.1 AND FIGURE~R602.10.1 METHOD PFG

DIMENSIONS FLOOR PLAN

SCALE: 1/4"=1'-0"

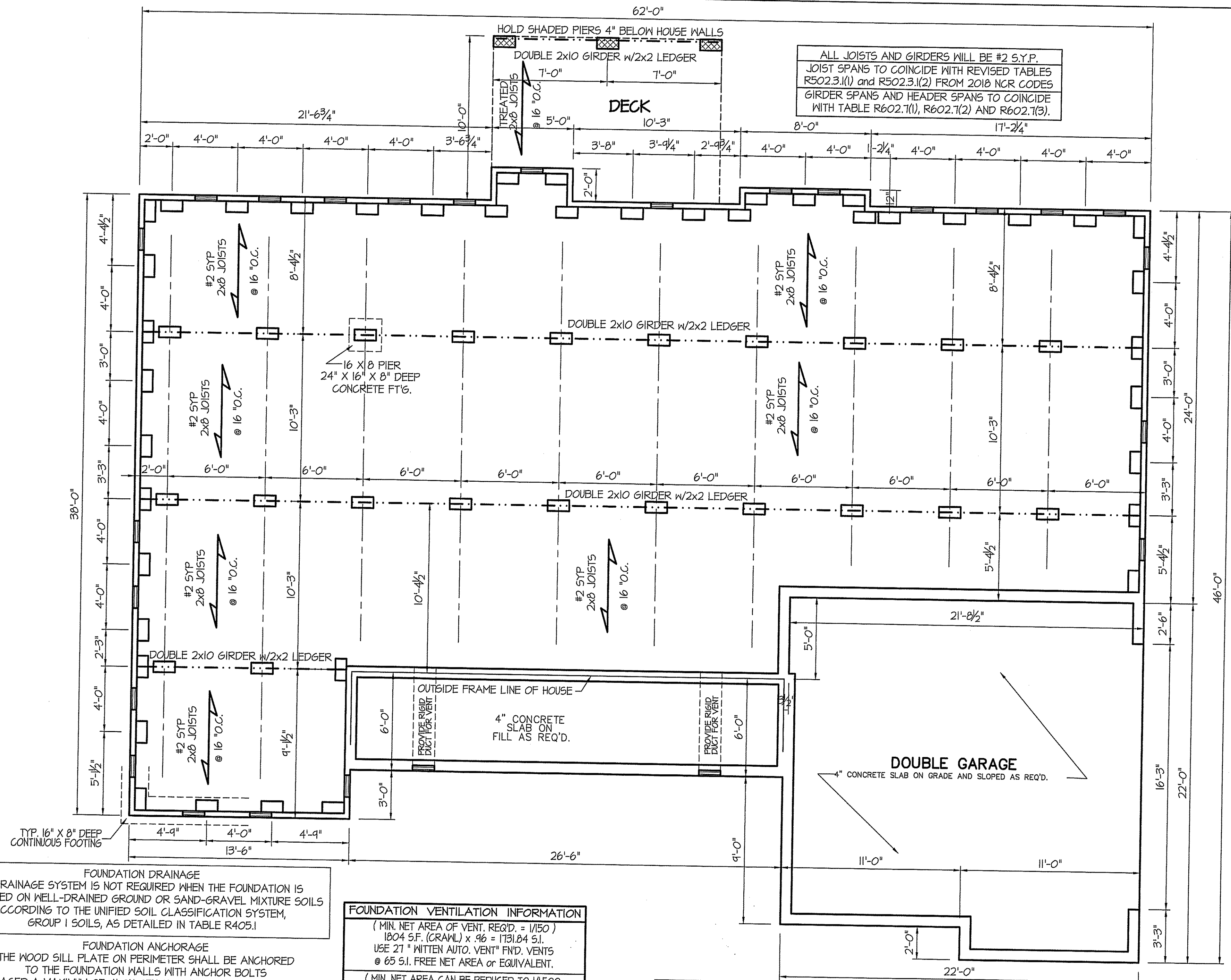
TOTAL FLOOR = 1819 SQUARE FEET (HEATED - FRAME)
159 SQUARE FEET (FRONT PORCH)
131 SQUARE FEET (DECK)
461 SQUARE FEET (DOUBLE GARAGE)

GIRDER AND HEADER SIZES AND JACK STUD REQUIREMENTS ON EXTERIOR AND INTERIOR LOAD BEARING WALLS ARE TO COINCIDE WITH TABLE EXT.~R602.7 (1) AND INT.~R602.7 (2).

ALL INTERIOR AND EXTERIOR LOAD BEARING HEADERS WILL BE 2x10 #2 SPF UNLESS OTHERWISE NOTED.

TABLE R602.7.5 MINIMUM NUMBER OF FULL HEIGHT STUDS AT EACH END OF HEADERS IN EXTERIOR WALLS		
HEADER SPAN (feet)	MAX. STUD SPACING (inches) [per Table R602.3(5)]	
	16	24
< 3'	1	1
4'	2	1
8'	3	2
12'	5	3
16'	6	4

COMPUTER FILED: FREEDOM FAMILY HOMES - APRIL-2020 - BURLINGTON II w/ SIDE ENTRY GARAGE



ALL JOISTS AND GIRDERS WILL BE #2 S.Y.P.
 JOIST SPANS TO COINCIDE WITH REVISED TABLES
 R502.3.1(1) and R502.3.1(2) FROM 2018 NCR CODES
 GIRDER SPANS AND HEADER SPANS TO COINCIDE
 WITH TABLE R602.7(1), R602.7(2) AND R602.7(3).

16 X 8 PIER
 24" X 16" X 8" DEEP
 CONCRETE FT'G.

OUTSIDE FRAME LINE OF HOUSE
 4" CONCRETE
 SLAB ON
 FILL AS REQ'D.

DOUBLE GARAGE
 4" CONCRETE SLAB ON GRADE AND SLOPED AS REQ'D.

FOUNDATION DRAINAGE
 A DRAINAGE SYSTEM IS NOT REQUIRED WHEN THE FOUNDATION IS
 INSTALLED ON WELL-DRAINED GROUND OR SAND-GRAVEL MIXTURE SOILS
 ACCORDING TO THE UNIFIED SOIL CLASSIFICATION SYSTEM,
 GROUP I SOILS, AS DETAILED IN TABLE R405.1

FOUNDATION ANCHORAGE
 THE WOOD SILL PLATE ON PERIMETER SHALL BE ANCHORED
 TO THE FOUNDATION WALLS WITH ANCHOR BOLTS
 SPACED A MAXIMUM OF 4' ON CENTER. ANCHOR BOLTS SHALL
 ALSO BE LOCATED WITHIN 12" FROM THE ENDS
 OF EACH PLATE SECTION. BOLTS SHALL BE AT LEAST
 1/2" IN DIAMETER AND SHALL EXTEND A MINIMUM
 OF 15" INTO MASONRY OR CONCRETE.
 BOLTS CAN BE SUBSTITUTED WITH
 SIMPSON-MAS STRAPS @ 4' O.C.

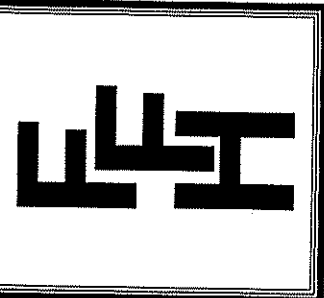
FOUNDATION VENTILATION INFORMATION
 (MIN. NET AREA OF VENT. REQ'D. = 1/150)
 1804 SF. (CRAWL) x .096 = 173.184 S.I.
 USE 27" WITTEN AUTO. VENT" FND. VENTS
 @ 65 S.I. FREE NET AREA OR EQUIVALENT.
 (MIN. NET AREA CAN BE REDUCED TO 1/1500)
 1804 SF. (CRAWL) x .096 = 173.184 S.I.
 USE 3" WITTEN AUTO. VENT" FND. VENTS
 @ 65 S.I. FREE NET AREA OR EQUIVALENT.
 w/ APPROVED 6-mil POLYETHYLENE VAPOR RETARDER
 OR EQUIVALENT IN CRAWL SPACE.
 REQUIRED VENTS ARE TO BE PLACED SO AS TO
 PROVIDE CROSS-VENTILATION OF THE CRAWL SPACE.

NOTES:
 USE DBL. 2 X 10'S W/ 2 X 2 LEDGER ON 4" WALLS
 USE DOUBLE 2X10 GIRDERS W/ 2X2 LEDGERS
 USE 2X8 JOISTS AT 16" O.C., ADD SGL. JOIST
 UNDER PARALLEL INTERIOR WALLS AS REQ'D.
 PROVIDE 24 X 36 ACCESS OPENING IN FND. WALL.
 PROVIDE STEPS TO GRADE (MAX. RISERS 8")

PIER & CURTAIN
FOUNDATION PLAN
 SCALE: 1/4"=1'-0"

DATE:
 APRIL-2020

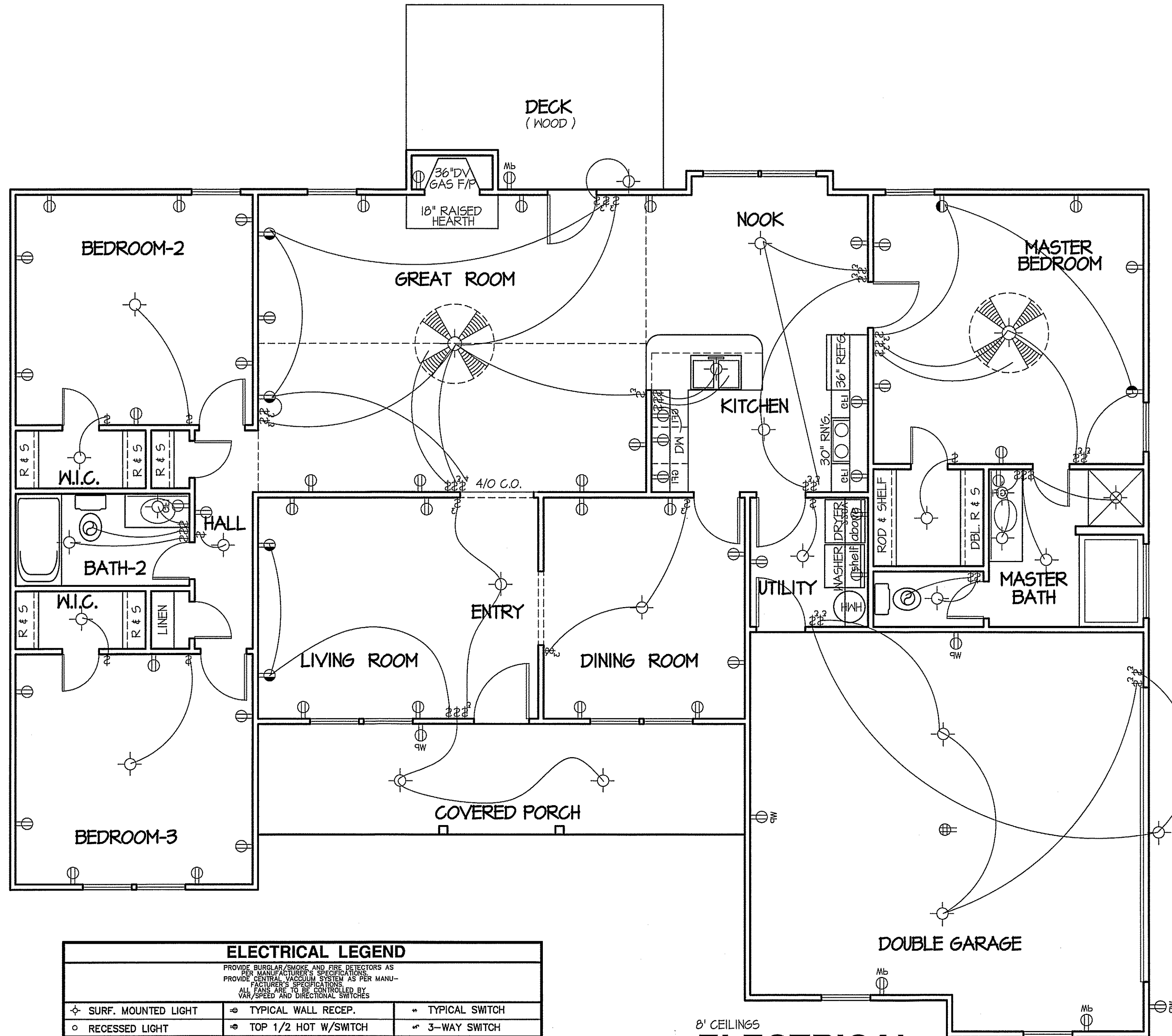
FREEDOM FAMILY HOMES
 P.O. BOX 608
 DUNN, N.C. - 28335
 O: (910) 892-1231 FAX: (910) 892-5680
 ©2016, FREEDOM FAMILY HOMES



EXCLUSIVE PLAN FOR
 FREEDOM FAMILY HOMES
BURLINGTON II
 SIDE ENTRY GARAGE - PORCH
 "REVERSED"

PLAN:
 SHEET NO.
3

COMPUTER FILED: FREEDOM FAMILY HOMES - APRIL-2020 - BURLINGTON II W/ SIDE ENTRY GARAGE



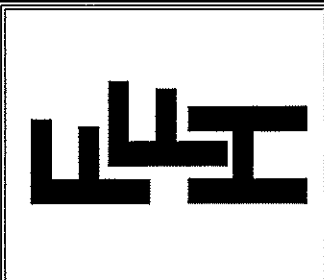
ELECTRICAL LEGEND		
<small>PROVIDE BURGLAR/SMOKE AND FIRE DETECTORS AS PER MANUFACTURER'S SPECIFICATIONS. PROVIDE CENTRAL VACUUM SYSTEM AS PER MANUFACTURER'S SPECIFICATIONS. ALL FANS ARE TO BE CONTROLLED BY VARYING SPEED AND DIRECTIONAL SWITCHES.</small>		
⊕ SURF. MOUNTED LIGHT	⊖ TYPICAL WALL RECEPT.	⊕ TYPICAL SWITCH
○ RECESSED LIGHT	⊖ TOP 1/2 HOT W/SWITCH	⊕ 3-WAY SWITCH
⊙ EYEBALL LIGHT	⊖ CEILING RECEPTACLE	⊕ 4-WAY SWITCH
⊕ FAN/LIGHT COMB.	○ FLOOR RECEPTACLE	⊕ DIMMER SWITCH
— FLUORESCENT TUBE	⊖ WATERPROOF RECEPT.	⊕ ELEC. PANEL BOX
□ FLUOR. LIGHT FIXTURE	⊖ GROUND FAULT	⊕ T.V. CABLE RECEPT.
⊙ EXHAUST FAN	⊖ DISPOSAL UNIT	⊕ TELEPHONE JACK
⊕ CL'G. FAN	⊖ 220 VOLT RECEPTACLE	⊕ COMPUTER JACK
⊕ FLOOD LIGHT		

8' CEILINGS
ELECTRICAL FLOOR PLAN
 SCALE: 1/4"=1'-0"

TOTAL FLOOR = 1819 SQUARE FEET (HEATED - FRAME)
 159 SQUARE FEET (FRONT PORCH)
 131 SQUARE FEET (DECK)
 461 SQUARE FEET (DOUBLE GARAGE)

DATE:
 APRIL-2020

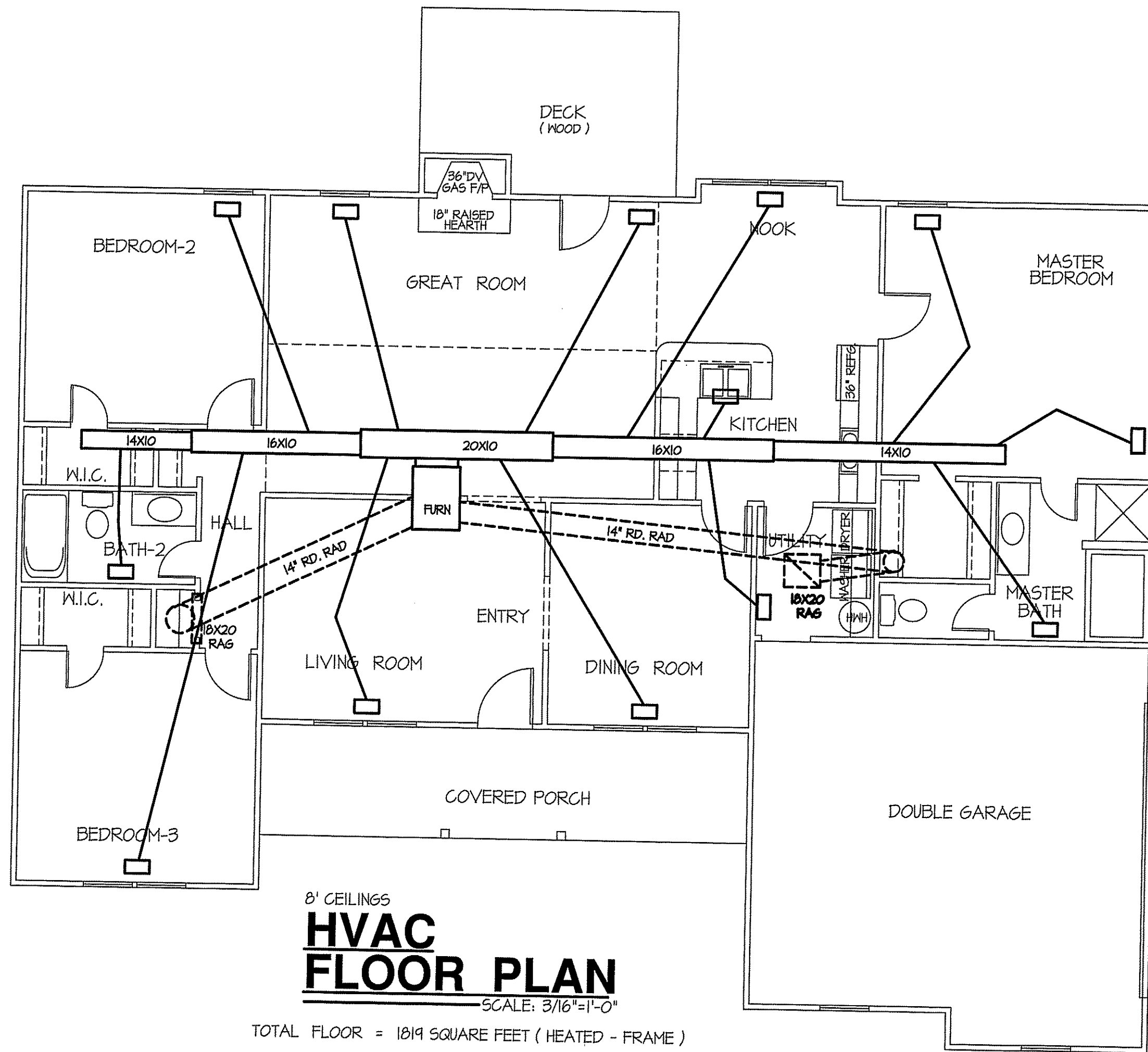
FREEDOM FAMILY HOMES
 P.O. BOX 608
 DUNN, N.C. - 28335
 O: (910) 892-1231 FAX: (910) 892-5680
 ©2016, FREEDOM FAMILY HOMES



EXCLUSIVE PLAN FOR
 FREEDOM FAMILY HOMES
BURLINGTON II
 SIDE ENTRY GARAGE - PORCH
 "REVERSED"

SHEET NO.
4

COMPUTER FILED: FREEDOM FAMILY HOMES - APRIL-2020 - BURLINGTON II w/ SIDE ENTRY GARAGE

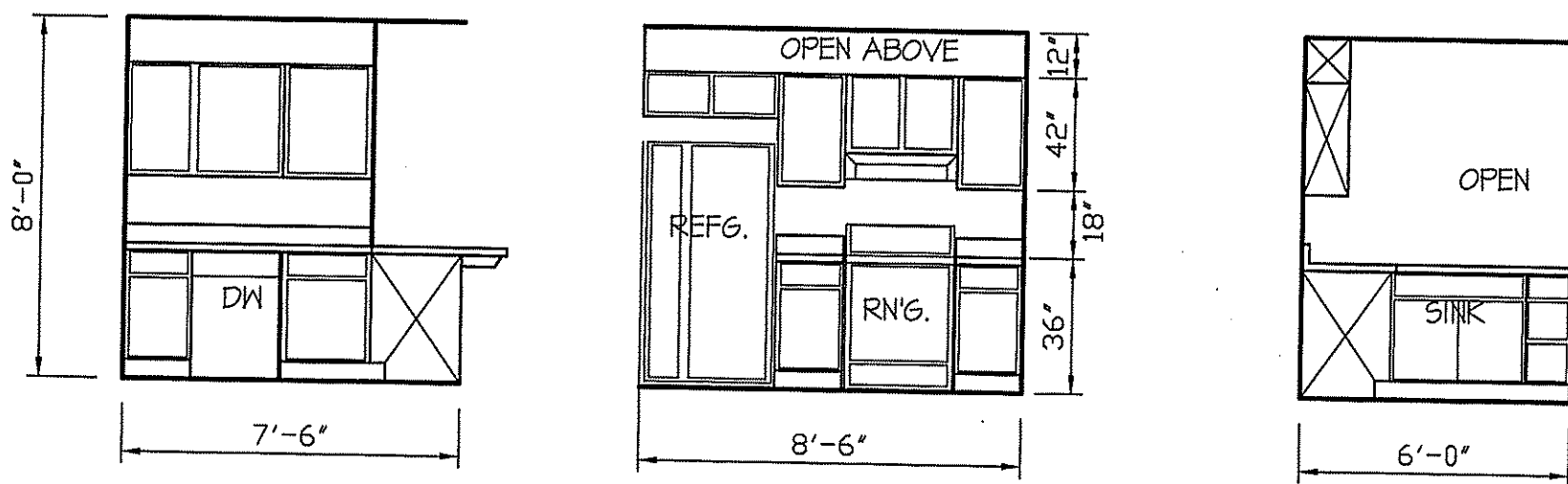


8' CEILINGS
HVAC FLOOR PLAN
 SCALE: 3/16"=1'-0"

TOTAL FLOOR = 1019 SQUARE FEET (HEATED - FRAME)

TOTAL HEAT GAIN = 37,704 BTUH

TOTAL HEAT LOSS = 57,187 BTUH



KITCHEN CABINET ELEVATIONS

SCALE: 1/4"=1'-0"

DATE:
 APRIL-2020

FREEDOM FAMILY HOMES
 P.O. BOX 608
 DUNN, N.C. - 28335
 O: (910) 892-1231 FAX: (910) 892-5680
 ©2016, FREEDOM FAMILY HOMES



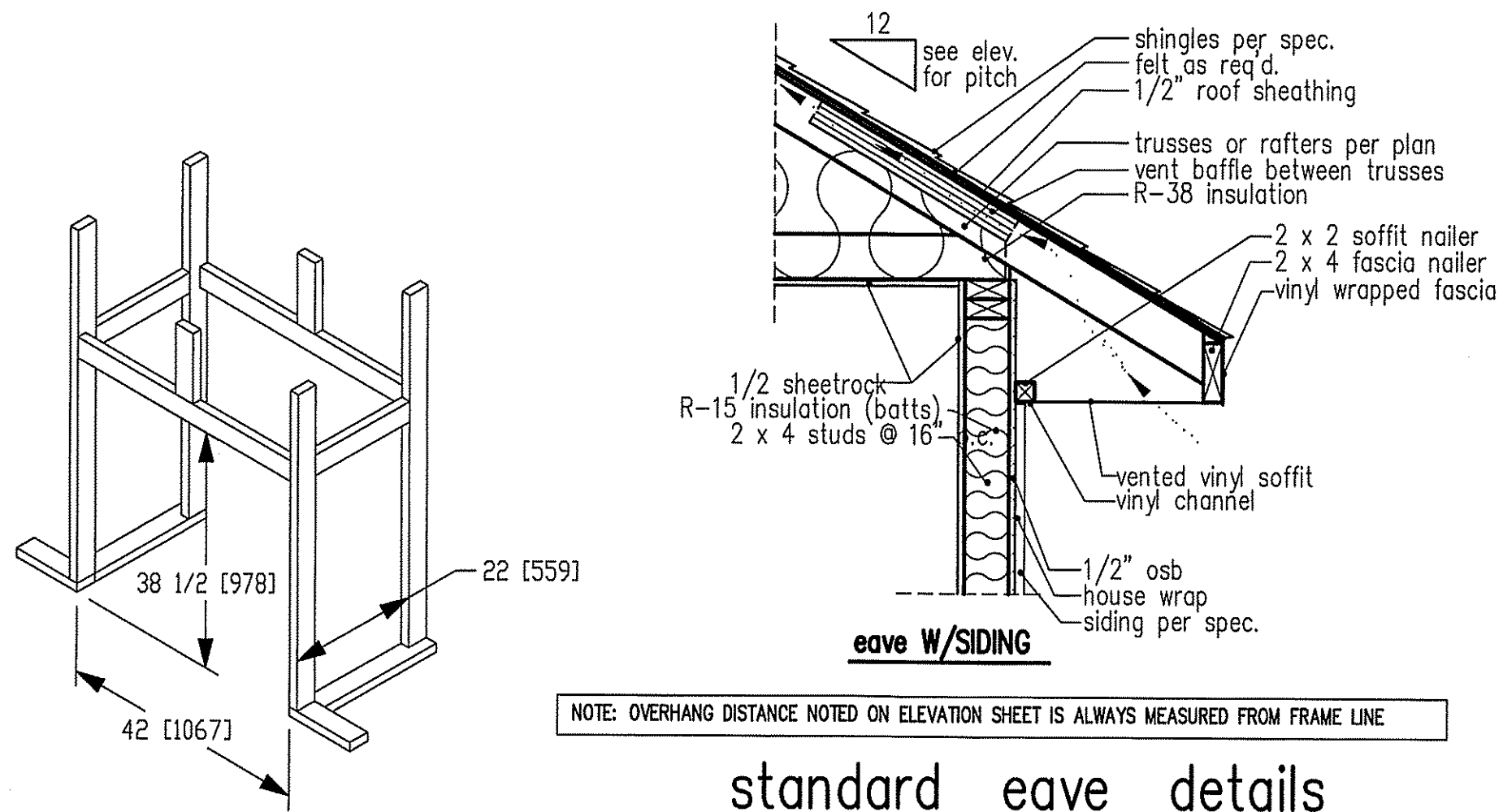
EXCLUSIVE PLAN FOR
 FREEDOM FAMILY HOMES
BURLINGTON II
 SIDE ENTRY GARAGE - PORCH
 "REVERSED"

PLAN:

SHEET NO.

5

COMPUTER FILED: FREEDOM FAMILY HOMES - APRIL-2020 - BURLINGTON II w/ SIDE ENTRY GARAGE



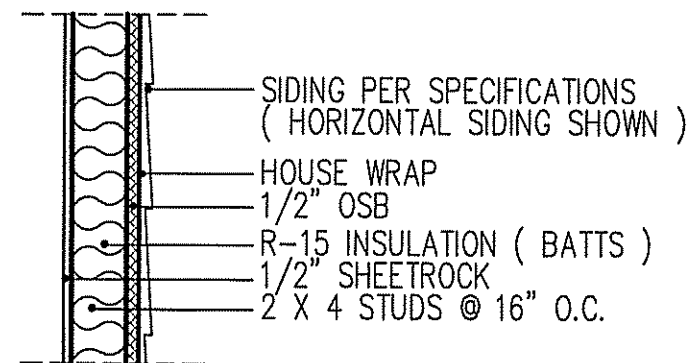
NOTE: OVERHANG DISTANCE NOTED ON ELEVATION SHEET IS ALWAYS MEASURED FROM FRAME LINE

standard eave details

DIMENSIONS IN [] ARE MM

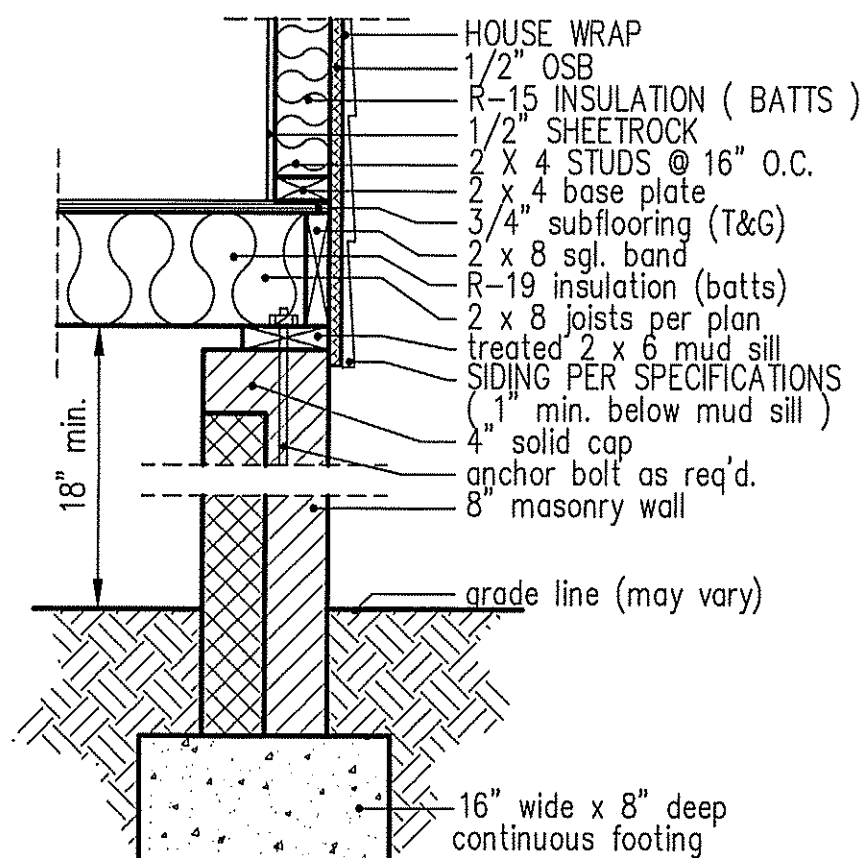
Model 6000-TR	Height		Front Width		Back Width		Depth		Glass Size	BTU Input
	Actual	Framing	Actual	Framing	Actual	Framing	Actual	Framing		
Inches	38	38-1/2	41	42	28-1/2	42	21-1/2	22		

Reference dimensions only. We recommend measuring individual units at installation.

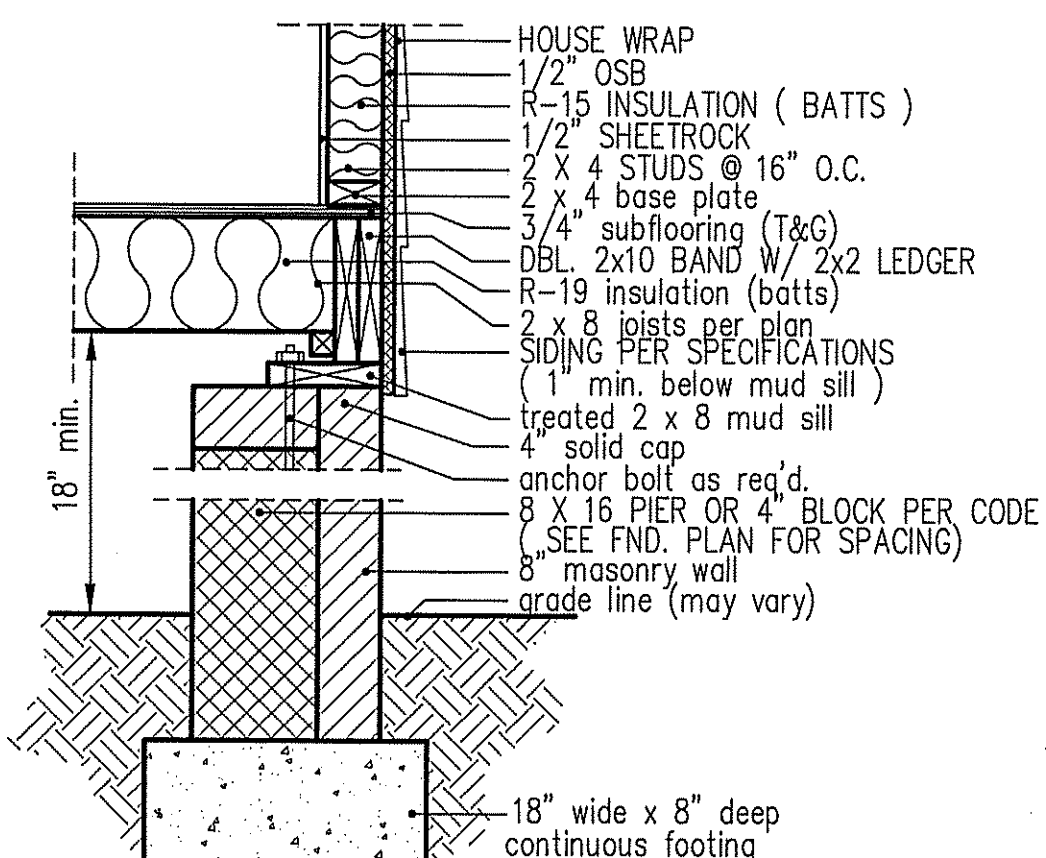


WALL w/siding

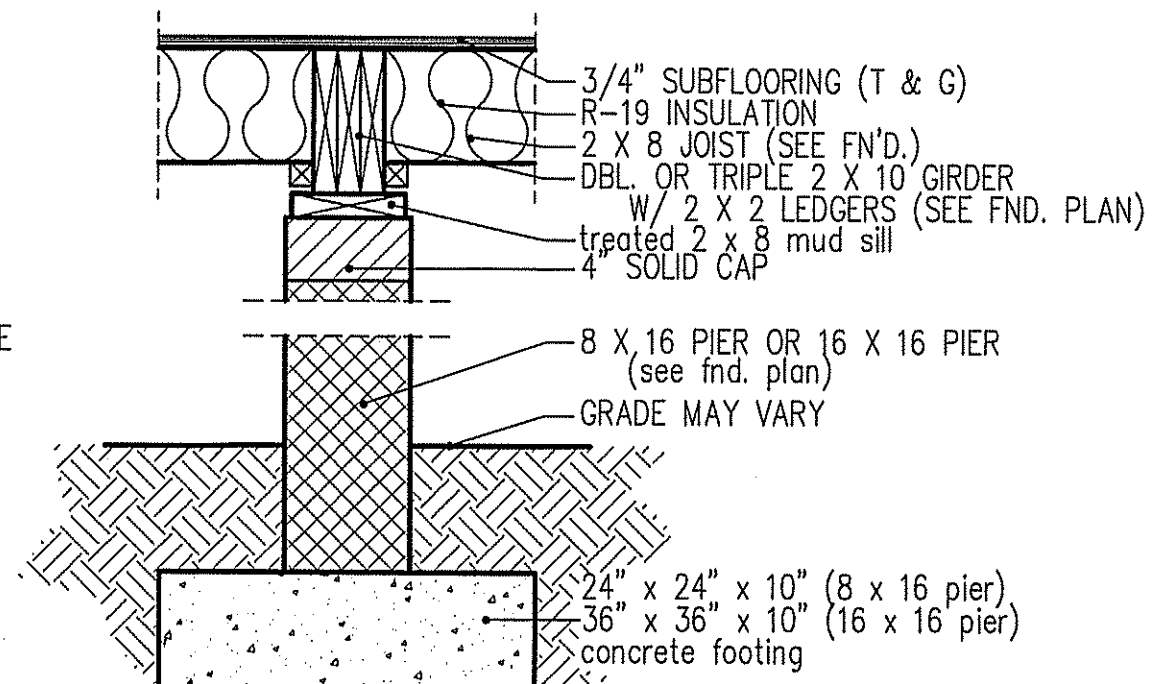
intermediate wall details



8" BOX SILL FOUNDATION WALL



PIER and CURTAIN FOUNDATION WALL

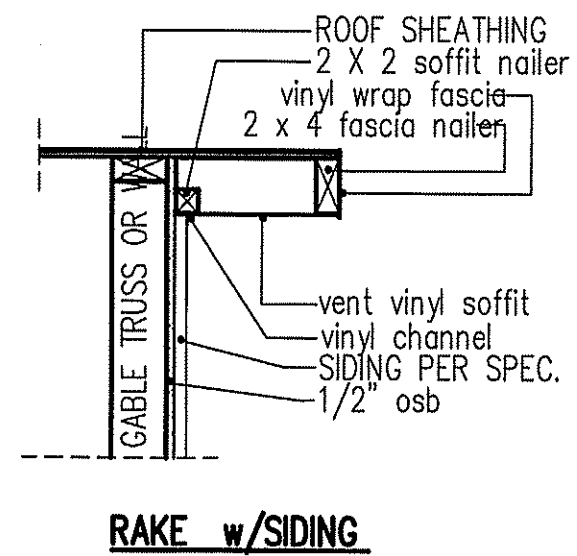


PIER and GIRDER DETAIL

TABLE R602.7.5
MINIMUM NUMBER OF FULL HEIGHT STUDS AT EACH END OF HEADERS IN EXTERIOR WALLS

HEADER SPAN (feet)	MAX. STUD SPACING (Inches) [per Table R602.3(5)]	
	16	24
< 3'	1	1
4'	2	1
8'	3	2
12'	5	3
16'	6	4

GIRDER AND HEADER SIZES AND JACK STUD REQUIREMENTS ON EXTERIOR AND INTERIOR LOAD BEARING WALLS ARE TO COINCIDE WITH TABLE EXT.~R602.7 (1) AND INT.~R602.7 (2).

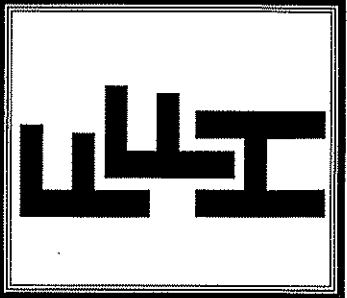


RAKE w/SIDING

NOTE: OVERHANG DISTANCE NOTED ON ELEVATION SHEET IS ALWAYS MEASURED FROM FRAME LINE

DATE:
APRIL-2020

FREEDOM FAMILY HOMES
P.O. BOX 608
DUNN, N.C. - 28335
O: (910) 892-1231 FAX: (910) 892-5680
© 2016, FREEDOM FAMILY HOMES



**EXCLUSIVE PLAN FOR
FREEDOM FAMILY HOMES
BURLINGTON II
SIDE ENTRY GARAGE - PORCH**

PLAN:
SHEET NO.
6