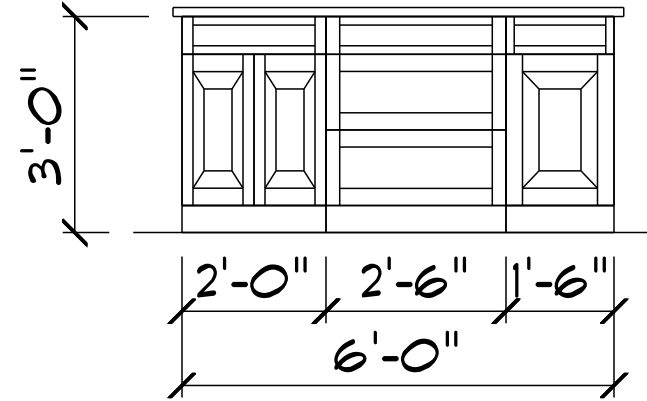
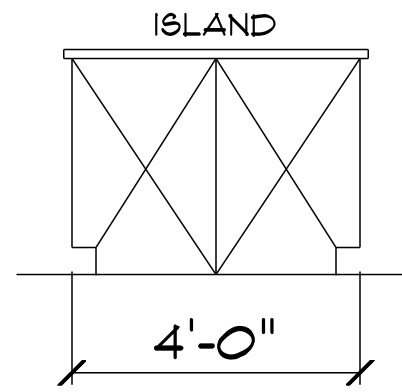


**KITCHEN CABINETS**

SCALE: 3/8" = 1'-0"

CABINET DESIGNER TO CONFIRM ALL MEASUREMENTS AND HARDWARE WITH OWNER, OWNER TO DETERMINE ALL APPLIANCES



I DO HEREBY CERTIFY THAT THIS DRAWING OR PLAN AND RELATED SPECIFICATIONS MEET ALL LOCAL REQUIREMENTS AND AREA IN SUBSTANTIAL CONFORMITY WITH THE INTERNATIONAL BUILDING CODE COUNCIL (2018 NORTH CAROLINA BUILDING CODE).

Charles Smith Associates  
© copyright 2020

SCALE: AS NOTED

DATE: MAR. 2020

DRAWN BY: CGP

SUBDIVISION:

RESIDENCE OF  
MR. AND MRS ROWE

DESIGNED BY:  
CHARLES SMITH ASSOC.  
DESIGNER - FAYETTEVILLE NORTH CAROLINA

DRAWING NUMBER

R-2418

BUILDING CONTRACTOR TO MEET LOCAL WIND LOADS PER CODE AS IT PERTAINS TO CONSTRUCTION OF HOUSE 100, 110, 120, 130, 140, 150 MPH