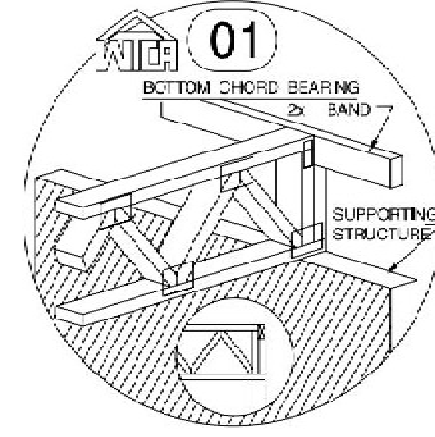
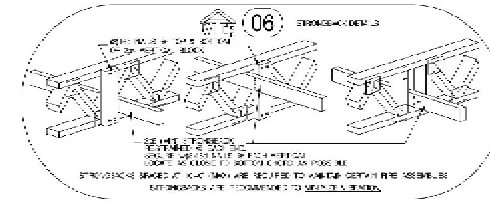


FLOOR TRUSS LAYOUT

1/4" = 1'-0"



| | | | |
|------------------|------------------------|------------|-------|
| Client: | VALUE BUILD | | |
| Job Name: | JOB 09-2020-020 | | |
| Model: | CLAUSEN | | |
| Lot #: | Subdivision: | Sales Rep: | Date: |
| Order #: | | P | / / |
| P20-04004 | | | |

SHOP DRAWING APPROVAL
 THIS LAYOUT IS THE SOLE SOURCE FOR FABRICATION OF TRUSSES AND VOIDS ALL PREVIOUS ARCHITECTURAL OR OTHER TRUSS LAYOUTS. REVIEW AND APPROVAL OF THIS LAYOUT MUST BE RECEIVED BEFORE ANY TRUSSES WILL BE BUILT. VERIFY ALL CONDITIONS TO INSURE AGAINST CHANGES THAT WILL RESULT IN EXTRA CHARGES TO YOU.

REVIEWED BY: _____ APPROVED BY: _____ DATE: _____

THIS IS A TRUSS PLACEMENT DIAGRAM ONLY. These trusses are designed as individual building components to be incorporated into the building design at the specification of the building designer. See individual design sheets for each truss design identified on the placement drawing. The building designer is responsible for temporary and permanent bracing of the roof and floor system and for the overall structure. The design of the truss support structure including headers, beams, walls, and columns is the responsibility of the building designer. For general guidance regarding bracing, consult "Bracing of Wood Trusses" available from the Truss Plate Institute, 583 D'Ominio Drive, Madison, WI 53719.

