



NO.	DATE	REVISION
1	05/16	FIRST SUBMITTAL
2	10/24/16	2ND GAR GARAGE OPTION ADDED
3	11/29/16	FRAME WALK CHANGES

PROFESSIONAL SEAL:

PROJECT TITLE:  
**40' Plans**

**ISSUED FOR/PERMIT CONSTRUCTION**

CLIENT'S NAME:

PROJECT NO: **GMD-GA16014**

SHEET TITLE:  
**JESSAMINE - LH EXTERIOR ELEVATIONS 'A'**

PRINT DATE:  
**Jan 1, 2019**

SHEET NO:  
**A1.5**

**NOTES:**

- GRADE CONDITIONS MAY VARY FOR INDIVIDUAL SITE FROM THAT SHOWN. BUILDER SHALL VERIFY AND COORDINATE PER ACTUAL SITE CONDITIONS.
- WINDOW HEAD HEIGHTS:  
1ST FLOOR = 6'-10" UNO, ON ELEVATIONS.  
2ND FLOOR = 6'-10" UNO, ON ELEVATIONS.
- ROOFING: PITCHED SHINGLES PER DEVELOPER.
- WINDOWS: MANUFACTURER PER DEVELOPER. DIVIDED LITES AS SHOWN ON THE EXTERIOR ELEVATIONS.
- ENTRY DOOR: AS SELECTED BY DEVELOPER.
- GARAGE DOORS: AS SELECTED BY DEVELOPER, RAISED PANEL AS SHOWN.
- CHIMNEY AS OCCURS. TOP OF CHIMNEYS TO BE A MINIMUM OF 24" ABOVE ANY ROOF WITHIN 10'-0" OF CHIMNEY.
- ALL EXTERIOR MATERIALS TO BE INSTALLED PER MANUFACTURER'S WRITTEN INSTRUCTIONS.
- PROTECTION AGAINST DECAY:  
(ALL PORTIONS OF A PORCH, SCREEN PORCH OR DECK FROM THE BOTTOM OF THE HEADER DOWN, INCLUDING POST, RAILS, PICKETS, STEPS AND FLOOR STRUCTURE.)

**KEY NOTES:**

**MASONRY:**

- ADHERED STONE VENEER AS SELECTED BY DEVELOPER. HEIGHT AS NOTED.
- MASONRY FULL BRICK AS SELECTED BY DEVELOPER. HEIGHT AS NOTED.
- MASONRY FULL STONE AS SELECTED BY DEVELOPER. HEIGHT AS NOTED.
- 8" SOLDIER COURSE.
- ROCKLOCK COURSE.
- DECORATIVE KEY. SEE DETAIL.

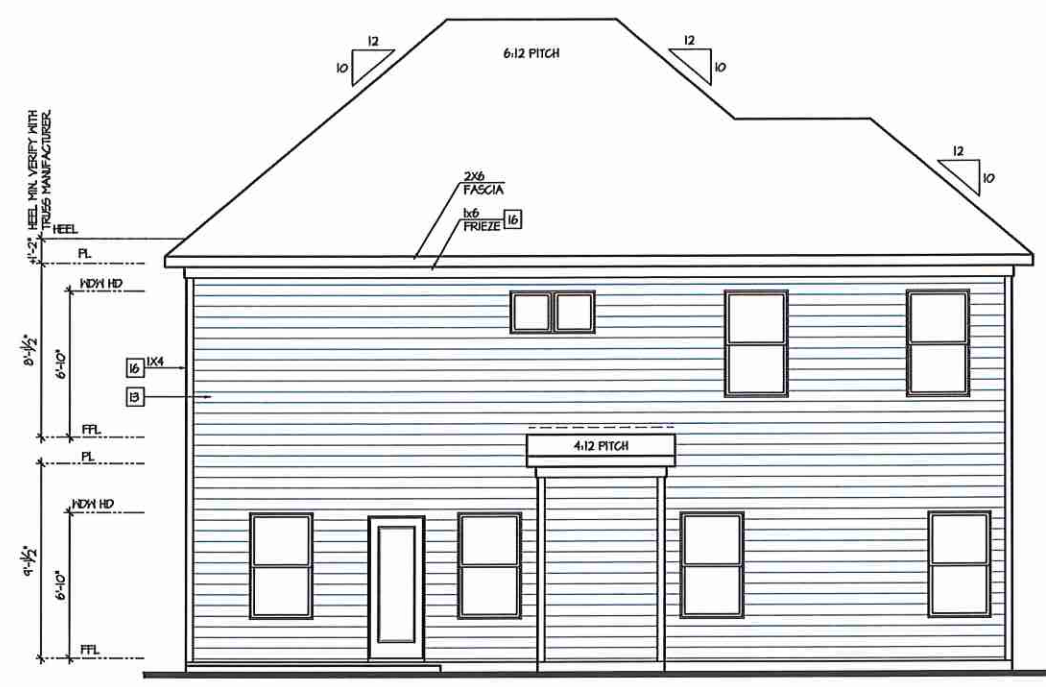
**TYPICALS:**

- CORROSION RESISTANT SCREEN LOUVERED VENTS, SIZE AS NOTED.
- CODE APPROVED TERMINATION CHIMNEY CAP.
- CORROSION RESISTANT ROOF TO WALL FLASHING. CODE COMPLIANT FLASHING MUST BE INSTALLED AT ALL ROOF/WALL INTERSECTIONS.
- STANDING SEAM METAL ROOF, INSTALL PER MANUFACTURER'S WRITTEN INSTRUCTIONS.
- DECORATIVE WROUGHT IRON. SEE DETAILS.

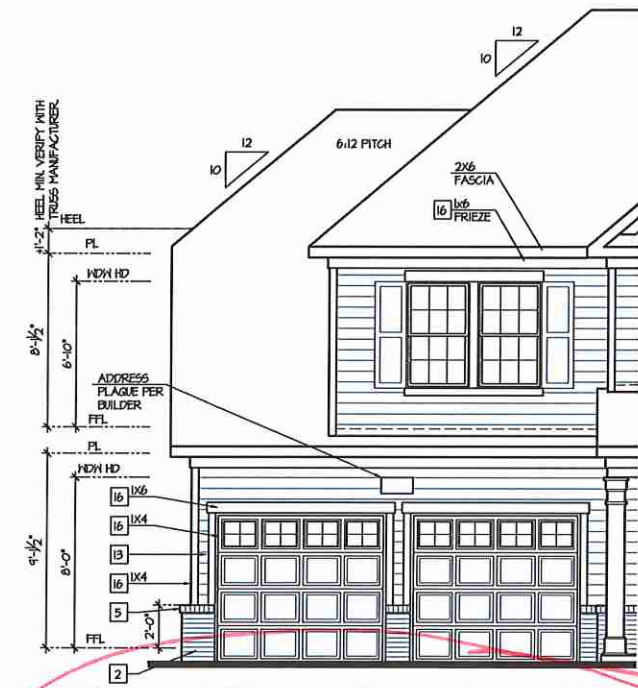
**SIDING:**

- VINYL OR FIBER CEMENT SHAKE SIDING PER DEVELOPER.
- VINYL OR FIBER CEMENT LAP SIDING PER DEVELOPER.
- VINYL OR FIBER CEMENT NAVY SIDING PER DEVELOPER.
- VINYL OR FIBER CEMENT PANEL SIDING 1/4" X 3" BATTIS AT 12" O.C.
- VINYL OR 1X FIBER CEMENT TRIM OR EQUAL, UNO. SIZE AS NOTED.
- VINYL SHUTTERS OR PER BUILDER, TYPE AS SHOWN. SIZE AS NOTED.

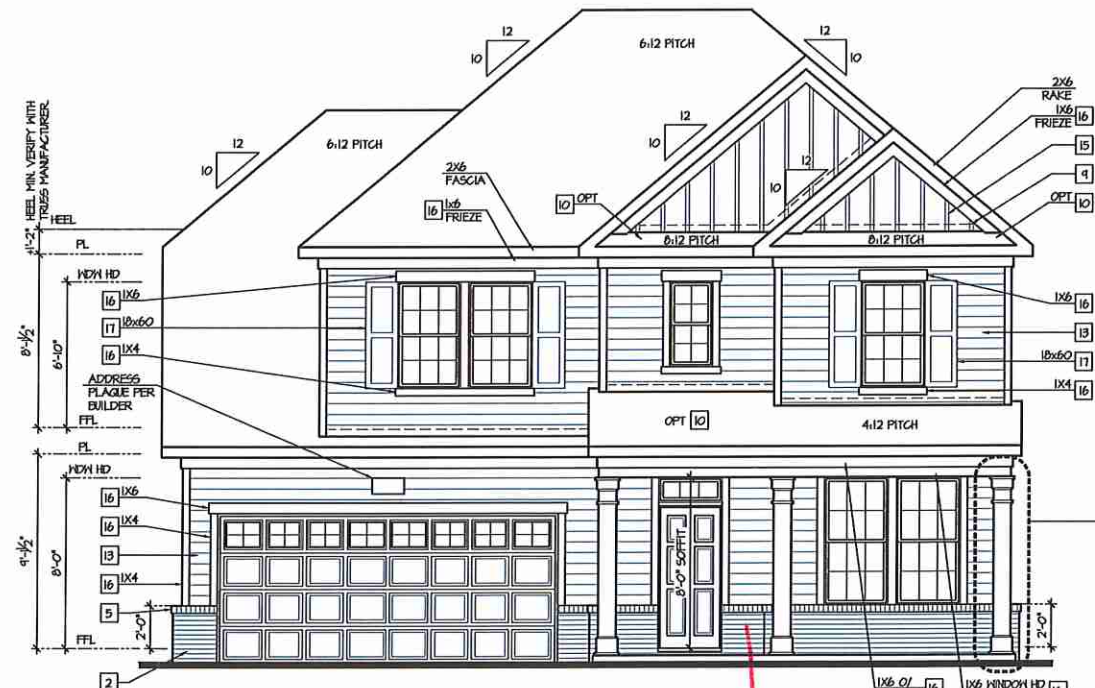
ALL WINDOWS WHOSE OPENING IS LESS THAN 24" ABOVE THE FINISH FLOOR AND WHOSE OPENING IS GREATER THAN 12" ABOVE THE OUTSIDE WALKING SURFACE MUST HAVE WINDOW OPENING LIMITING DEVICES COMPLYING WITH THE LOCAL CODES.



**Rear Elevation 'A'**  
SCALE: 1/4"=1'-0" AT 22'X34' LAYOUT 1/8"=1'-0" AT 11'X11' LAYOUT

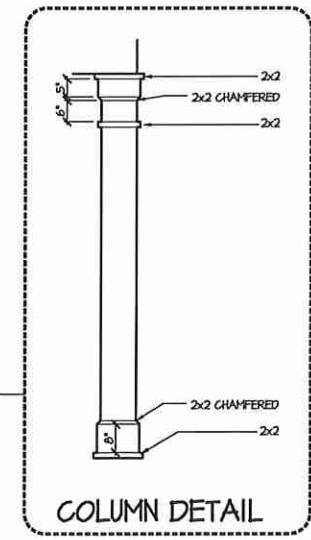


**Partial Front Elevation 'A' w/ Opt 2 Door Garage**  
SCALE: 1/4"=1'-0" AT 22'X34' LAYOUT 1/8"=1'-0" AT 11'X11' LAYOUT



**Front Elevation 'A'**  
SCALE: 1/4"=1'-0" AT 22'X34' LAYOUT 1/8"=1'-0" AT 11'X11' LAYOUT

brick



**COLUMN DETAIL**

NO.	DATE	REVISION
1	09.30.16	FIRST SUBMITTAL
2	10.24.16	2ND CAR GARAGE OPTIONS ADDED
3	11.23.16	FRAME MARK CHANGES

PROFESSIONAL SEAL:

PROJECT TITLE:

40' Plans

ISSUED FOR/PERMIT  
CONSTRUCTION

CLIENT'S NAME:

PROJECT NO: GMD-GAI6014

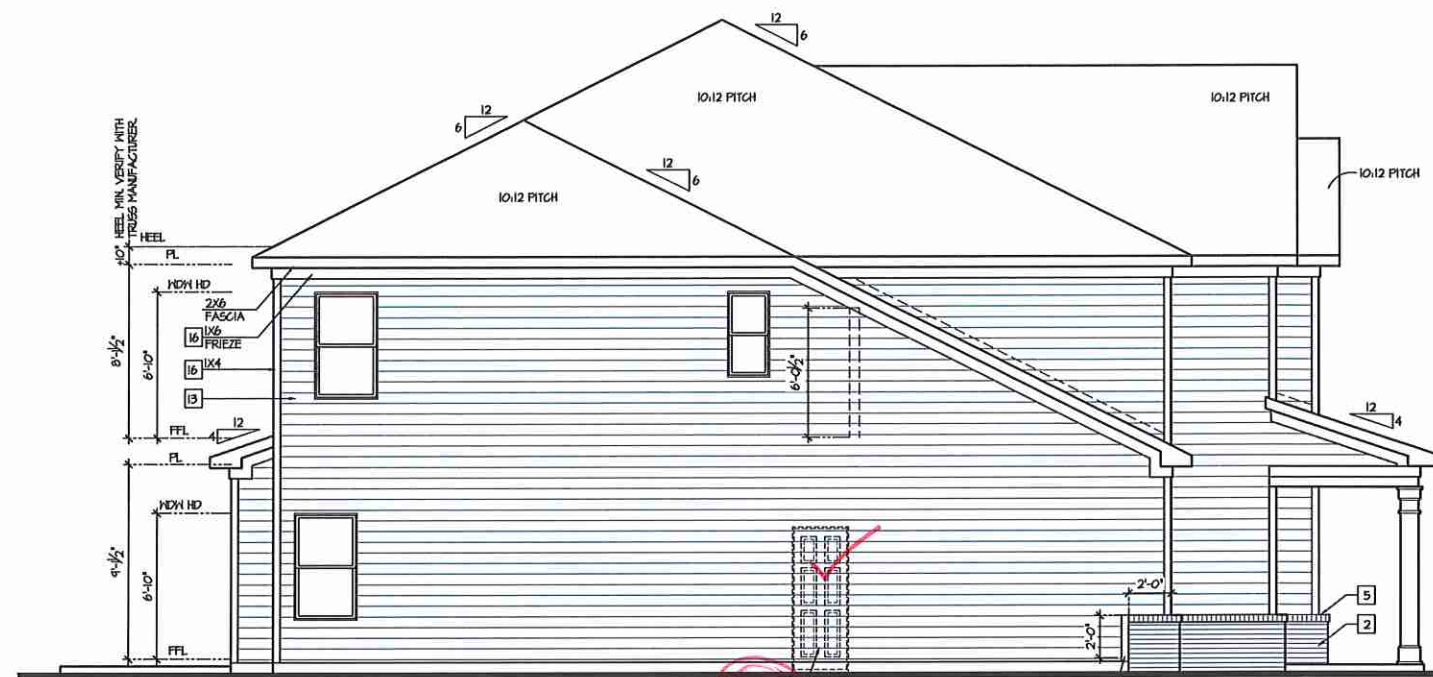
SHEET TITLE:

JESSAMINE - LH  
EXTERIOR  
ELEVATIONS 'A'

PRINT DATE:

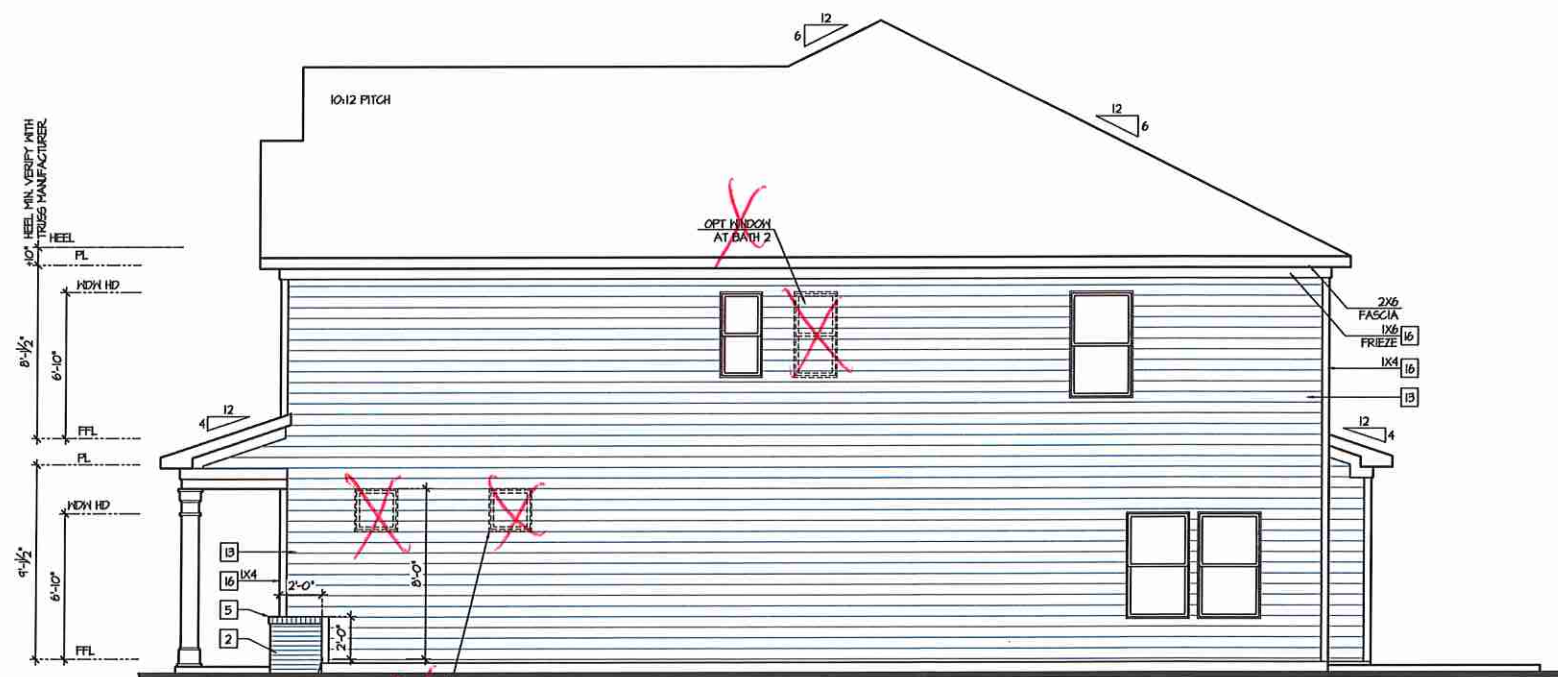
SHEET NO:

A1.5.1



Left Elevation 'A'

SCALE: 1/4"=1'-0" AT 22'x34" LAYOUT 1/8"=1'-0" AT 11'x11" LAYOUT



Right Elevation 'A'

SCALE: 1/4"=1'-0" AT 22'x34" LAYOUT 1/8"=1'-0" AT 11'x11" LAYOUT

NOTES:

- GRADE CONDITIONS MAY VARY FOR INDIVIDUAL SITE FROM THAT SHOWN. BUILDER SHALL VERIFY AND COORDINATE PER ACTUAL SITE CONDITIONS.
- WINDOW HEAD HEIGHTS:  
1ST FLOOR = 6'-10" UNO, ON ELEVATIONS.  
2ND FLOOR = 6'-10" UNO, ON ELEVATIONS.
- ROOFING: PITCHED SHINGLES PER DEVELOPER.
- WINDOWS: MANUFACTURER PER DEVELOPER. DIVIDED LITES AS SHOWN ON THE EXTERIOR ELEVATIONS.
- ENTRY DOOR: AS SELECTED BY DEVELOPER.
- GARAGE DOORS: AS SELECTED BY DEVELOPER, RAISED PANEL AS SHOWN.
- CHIMNEY AS OCCURS: TOP OF CHIMNEYS TO BE A MINIMUM OF 24" ABOVE ANY ROOF WITHIN 10'-0" OF CHIMNEY.
- ALL EXTERIOR MATERIALS TO BE INSTALLED PER MANUFACTURER'S WRITTEN INSTRUCTIONS.
- PROTECTION AGAINST DECAY:  
(ALL PORTIONS OF A PORCH, SCREEN PORCH OR DECK FROM THE BOTTOM OF THE HEADER DOWN, INCLUDING POST, RAILS, PICKETS, STEPS AND FLOOR STRUCTURE.)

KEY NOTES:

- MASONRY:
- ADHERED STONE VENEER AS SELECTED BY DEVELOPER. HEIGHT AS NOTED.
  - MASONRY FULL BRICK AS SELECTED BY DEVELOPER. HEIGHT AS NOTED.
  - MASONRY FULL STONE AS SELECTED BY DEVELOPER. HEIGHT AS NOTED.
  - 8" SOLDIER COURSE.
  - ROWLOCK COURSE.
  - DECORATIVE KEY. SEE DETAIL.
- TYPICALS:
- CORROSION RESISTANT SCREEN LOWERED VENTS, SIZE AS NOTED.
  - CODE APPROVED TERMINATION CHIMNEY CAP.
  - CORROSION RESISTANT ROOF TO WALL FLASHING. CODE COMPLIANT FLASHING MUST BE INSTALLED AT ALL ROOF/WALL INTERSECTIONS.
  - STANDING SEAM METAL ROOF, INSTALL PER MANUFACTURER'S WRITTEN INSTRUCTIONS.
  - DECORATIVE WROUGHT IRON. SEE DETAILS.
- SIDING:
- VINYL OR FIBER CEMENT SHAKE SIDING PER DEVELOPER.
  - VINYL OR FIBER CEMENT LAP SIDING PER DEVELOPER.
  - VINYL OR FIBER CEMENT NAVY SIDING PER DEVELOPER.
  - VINYL OR FIBER CEMENT PANEL SIDING W/ 1/2" BATTIS AT 12" O.C.
  - VINYL OR 1X FIBER CEMENT TRIM OR EQUAL, UNO, SIZE AS NOTED.
  - VINYL SHUTTERS OR PER BUILDER, TYPE AS SHOWN. SIZE AS NOTED.

ALL WINDOWS WHOSE OPENING IS LESS THAN 24" ABOVE THE FINISH FLOOR AND WHOSE OPENING IS GREATER THAN 12" ABOVE THE OUTSIDE WALKING SURFACE MUST HAVE WINDOW OPENING LIMITING DEVICES COMPLYING WITH THE LOCAL CODES.

**NOTES:**

- GRADE CONDITIONS MAY VARY FOR INDIVIDUAL SITE FROM THAT SHOWN. BUILDER SHALL VERIFY AND COORDINATE PER ACTUAL SITE CONDITIONS.
- WINDOW HEAD HEIGHTS:  
1ST FLOOR = 6'-10" UNO. ON ELEVATIONS.  
2ND FLOOR = 6'-10" UNO. ON ELEVATIONS.
- ROOFING: PITCHED SHINGLES PER DEVELOPER.
- WINDOWS: MANUFACTURER PER DEVELOPER, DIVIDED LITES AS SHOWN ON THE EXTERIOR ELEVATIONS
- ENTRY DOOR: AS SELECTED BY DEVELOPER.
- GARAGE DOORS: AS SELECTED BY DEVELOPER, RAISED PANEL AS SHOWN.
- CHIMNEY AS OCCURS: TOP OF CHIMNEYS TO BE A MINIMUM OF 24" ABOVE ANY ROOF WITHIN 10'-0" OF CHIMNEY.
- ALL EXTERIOR MATERIALS TO BE INSTALLED PER MANUFACTURER'S WRITTEN INSTRUCTIONS.
- PROTECTION AGAINST DECAY:  
(ALL PORTIONS OF A PORCH, SCREEN PORCH OR DECK FROM THE BOTTOM OF THE HEADER DOWN, INCLUDING POST, RAILS, PICKETS, STEPS AND FLOOR STRUCTURE.)

**KEY NOTES:**

- MASONRY:**
- [1] ADHERED STONE VENEER AS SELECTED BY DEVELOPER. HEIGHT AS NOTED.
  - [2] MASONRY FULL BRICK AS SELECTED BY DEVELOPER. HEIGHT AS NOTED.
  - [3] MASONRY FULL STONE AS SELECTED BY DEVELOPER. HEIGHT AS NOTED.
  - [4] 8" SOLDIER COURSE.
  - [5] RAYLOCK COURSE
  - [6] DECORATIVE KEY. SEE DETAIL.
- TYPICALS:**
- [1] CORROSION RESISTANT SCREEN LOWERED VENTS, SIZE AS NOTED.
  - [2] CODE APPROVED TERMINATION CHIMNEY CAP.
  - [3] CORROSION RESISTANT ROOF TO WALL FLASHING. CODE COMPLIANT FLASHING MUST BE INSTALLED AT ALL ROOF/WALL INTERSECTIONS.
  - [4] STANDING SEAM METAL ROOF, INSTALL PER MANUFACTURER'S WRITTEN INSTRUCTIONS.
  - [5] DECORATIVE WROUGHT IRON. SEE DETAILS.
- SIDING:**
- [12] VINYL OR FIBER CEMENT SHAKE SIDING PER DEVELOPER
  - [13] VINYL OR FIBER CEMENT LAP SIDING PER DEVELOPER
  - [14] VINYL OR FIBER CEMENT WAVY SIDING PER DEVELOPER
  - [15] VINYL OR FIBER CEMENT PANEL SIDING W/ D3 BATTIS AT 12" O.C.
  - [16] VINYL OR 1X FIBER CEMENT TRIM OR EQUAL, UNO. SIZE AS NOTED
  - [17] VINYL SHUTTERS OR PER BUILDER, TYPE AS SHOWN, SIZE AS NOTED.

ALL WINDOWS WHOSE OPENING IS LESS THAN 24" ABOVE THE FINISH FLOOR AND WHOSE OPENING IS GREATER THAN 72" ABOVE THE OUTSIDE WALKING SURFACE MUST HAVE WINDOW OPENING LIGHTING DEVICES COMPLYING WITH THE LOCAL CODES



ATLANTA, GEORGIA LOCATION:  
1245 SATELLITE BLVD  
SUITE 250  
DUBLIN, GA 30097  
PHONE: 770-375-1351

THESE PLANS AND SPECIFICATIONS ARE PROTECTED UNDER FEDERAL COPYRIGHT LAWS. © GMD DESIGN GROUP OF GEORGIA, INC. HAWAIIAN OWNERSHIP OF SUCH AND ALL RIGHTS AND PRIVILEGES.

NO.	DATE	REVISION:
1	05/31/19	FIRST SUBMITTAL
2	10/24/19	3RD CAR GARAGE OPTIONS ADDED
3	11/23/19	FRAME WALK GIBBSSES

PROFESSIONAL SEAL:

PROJECT TITLE:

**40' Plans**

**ISSUED FOR/PERMIT CONSTRUCTION**

CLIENT'S NAME:

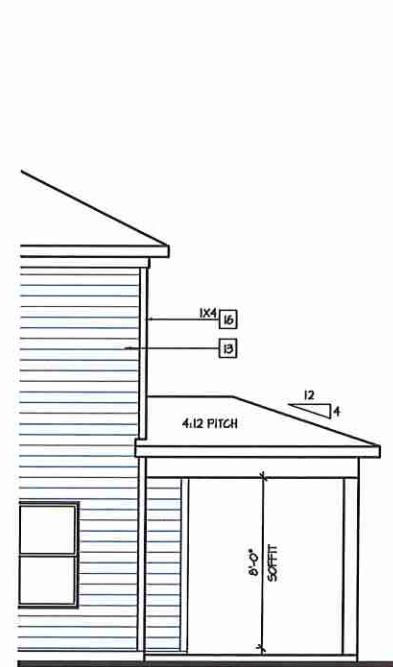


PROJECT NO: GMD-6A16014

SHEET TITLE:  
**JESSAMINE - LH  
EXTERIOR  
ELEVATIONS  
OPTIONS**

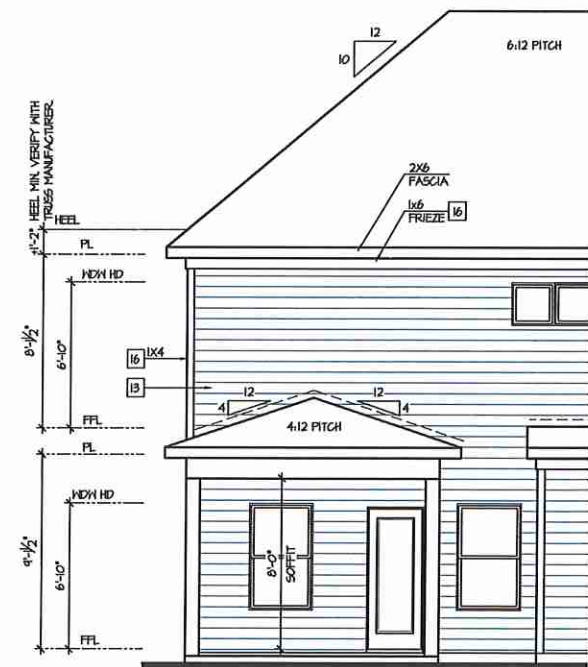
PRINT DATE:  
Jan 1, 2019

SHEET NO:  
**A1.5.7**



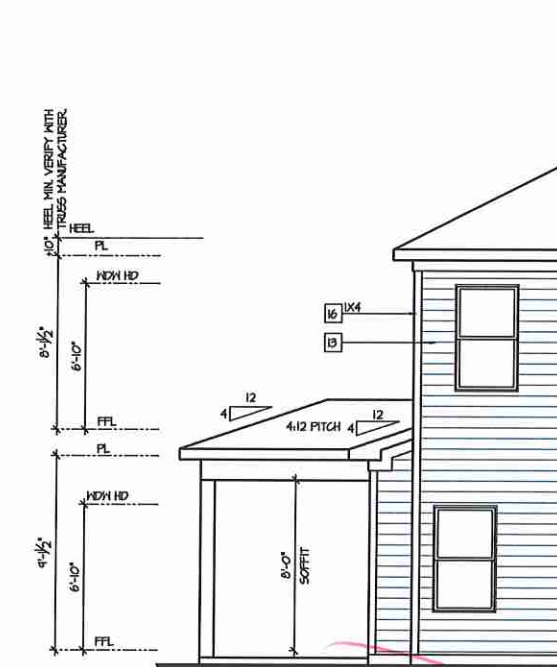
Partial Right Elevation  
w/ Opt Covered Patio

SCALE: 1/4"=1'-0" AT 22'X34' LAYOUT 1/8"=1'-0" AT 11'X17' LAYOUT



Partial Rear Elevation  
w/ Opt Covered Patio

SCALE: 1/4"=1'-0" AT 22'X34' LAYOUT 1/8"=1'-0" AT 11'X17' LAYOUT



Partial Left Elevation  
w/ Opt Covered Patio

SCALE: 1/4"=1'-0" AT 22'X34' LAYOUT 1/8"=1'-0" AT 11'X17' LAYOUT

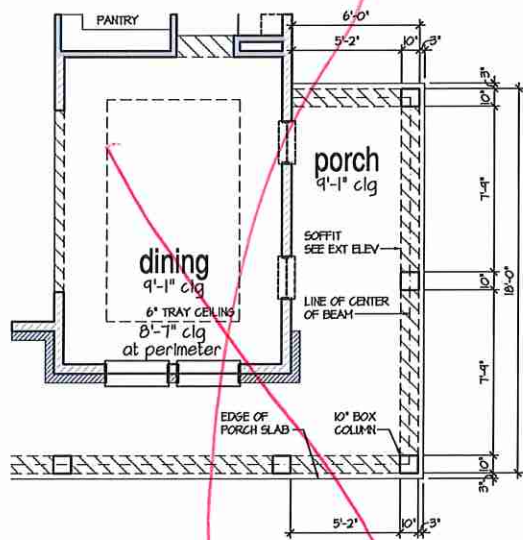
- FOR ADDITIONAL NOTES SEE GENERAL NOTES ON TITLE SHEET AND DETAILS.  
 - WINDOW HEAD HEIGHTS:  
 1ST FLOOR = 6'-10" UNO, ON ELEVATIONS.  
 2ND FLOOR = 6'-10" UNO, ON ELEVATIONS.  
 ALL DIMENSIONS TO WINDOWS AND DOORS ARE TO CENTERLINE.

**WALL LEGEND:**

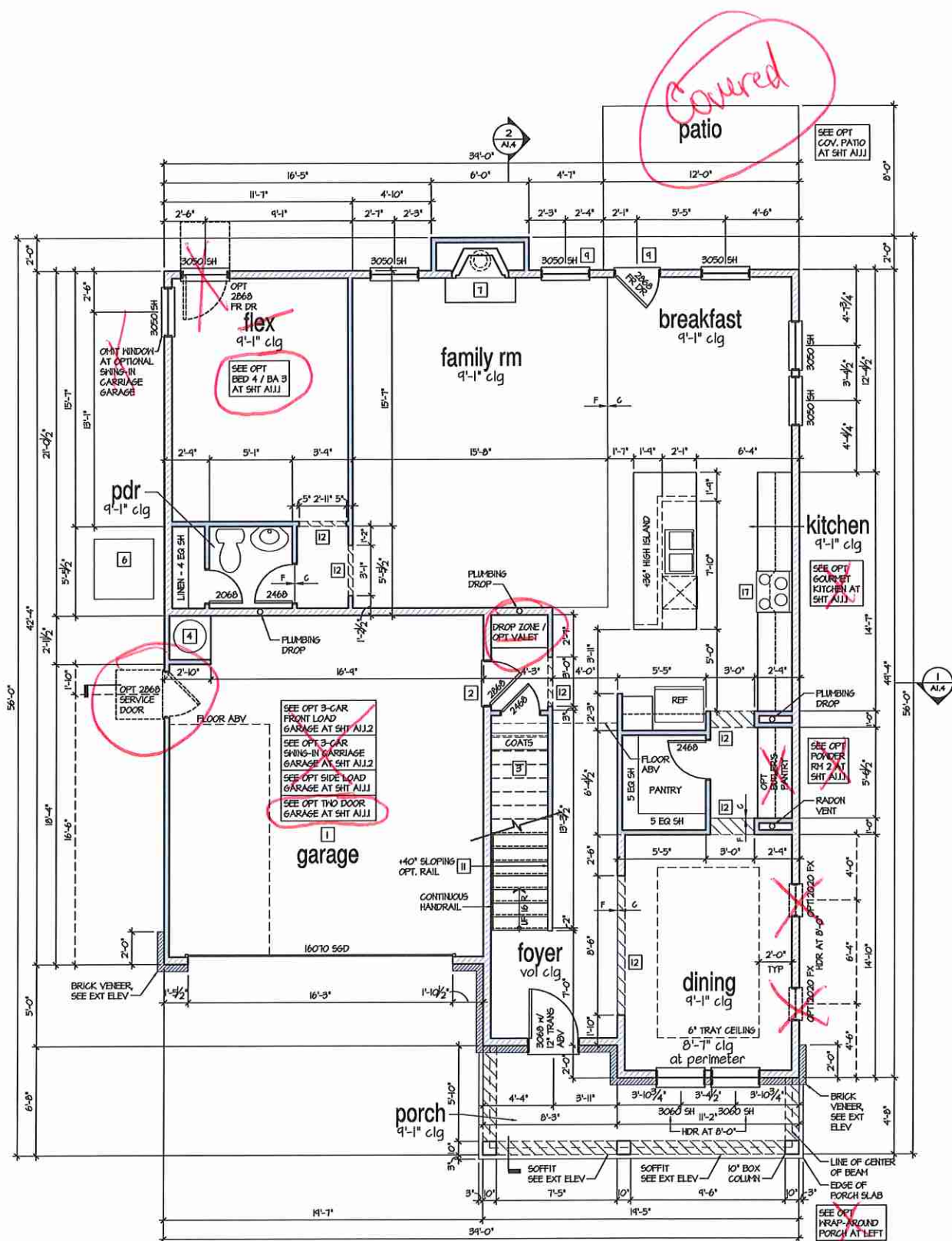
	FULL HEIGHT 2x4 HOOD STUD PARTITION		FULL HEIGHT 2x6 HOOD STUD PARTITION
	BRICK / STONE VENEER		STUD WALL BELOW HEIGHT AND STUD SIZE AS NOTED
	LOH GYPSUM BOARD WALL HEIGHT AND STUD SIZE AS NOTED		DRYWALL OPENING HEIGHT AS NOTED ON PLAN

- KEY NOTES:**
- FIRE PROTECTION:**
- HOUSE TO GARAGE FIRE SEPARATION. GARAGEHOUSE SEPARATION AT VERTICAL SURFACES SHALL BE PROTECTED WITH ONE (1) LAYER 1/2" GYPSUM BOARD, (PER LOCAL CODE)
  - GARAGEHOUSE SEPARATION AT HORIZONTAL SURFACES SHALL BE PROTECTED WITH ONE (1) LAYER 5/8" TYPE 'X' GYPSUM BOARD, (PER LOCAL CODE)
  - HOUSE TO GARAGE DOOR SEPARATION. PROVIDE 1-3/8" SOLID CORE DOOR OR APPROVED 20 MINUTE RATED DOOR, (PER LOCAL CODE)
  - BENEATH STAIRS AND LANDINGS, 1/2" GYPSUM BOARD ON WALLS AND CEILING OF ENCLOSED ACCESSIBLE AREAS, (PER LOCAL CODE) MEPS
  - FOR THE USE OF EXPOSED GAS WATER HEATERS IN THE GARAGE, INSTALL THE WATER HEATER PER LOCAL CODE, 18" HIGH PLATFORM. PROTECT THE GAS APPLIANCE FROM MOTOR VEHICLE IMPACT PROTECTION PER LOCAL CODE.
  - FAU 8'x8' PLATFORM. VERIFY WITH TRUSS MANUFACTURER. (6'-6" MIN. CLEAR HEIGHT TO HORIZONTAL MEMBERS, 2'x8" OVER 2'x4" BOTTOM CHORD, OF TRUSS, VERIFY W/ TRUSSES)
  - A/C CONDENSER PAD, (VERIFY)
  - PRE-FABRICATED METAL FIREPLACE. INSTALL PER MANUFACTURER'S WRITTEN INSTRUCTIONS.
  - ATTIC ACCESS LARGE ENOUGH TO REMOVE LARGEST PIECE OF EQUIPMENT BUT NOT LESS THAN 30"x22". FIRE RATED ACCESS AS NOTED, (PER LOCAL CODE) ATTIC ACCESS LADDER, VERIFY LOCATION AND SIZE WITH TRUSSES. (25 1/2" X 54" SIZE) TYPICALS.
  - TEMPERED SAFETY GLASS, (PER LOCAL CODE)
  - PLYWOOD SHELF ABOVE WITH DRYWALL FINISH OVER, HEIGHT AS NOTED.
  - HALF WALL, HEIGHT AS NOTED.
  - INTERIOR SOFFITS: FFL = 8'-4" UNO. SPL = 7'-6" UNO. BATHS:
  - SHOWER. TEMPERED GLASS ENCLOSURE.
  - TUB-SHOWER COMBO. TEMPERED GLASS ENCLOSURE.
  - CERAMIC TILE SHOWER AND FLOOR. TEMPERED GLASS ENCLOSURE.
  - GARDEN TUB IS A SLIDE IN FIBERGLASS MODEL. PER BUILDER
- KITCHEN:**
- 30" FREE STANDING ELECTRICAL RANGE OR OPT. GAS RANGE VENT PER MANUFACTURER'S WRITTEN INSTRUCTIONS.
  - 30" ELECTRICAL COOKTOP OR OPT. GAS COOKTOP AND HOOD VENT PER MANUFACTURER'S WRITTEN INSTRUCTIONS.
  - ELECTRIC OVEN WITH MICROWAVE OVEN.

**9'-1" STAIR NOTE:**  
 (USE 14" T.J. WITH 3/4" PLYWOOD SUBFLOOR)  
 15 TREADS AT 10" EACH VERIFY  
 16 RISERS AT 4"-7.71" = 124 1/4" TOTAL RISE VERIFY



**Opt. Wrap-Around Porch 'A'**  
 SCALE: 1/4"=1'-0" AT 22'x34' LAYOUT 1/8"=1'-0" AT 11'x17' LAYOUT



**1st Floor Plan 'A'**  
 SCALE: 1/4"=1'-0" AT 22'x34' LAYOUT 1/8"=1'-0" AT 11'x17' LAYOUT



ATLANTA, GEORGIA LOCATION  
 1845 SATELLITE BLVD  
 SUITE 650  
 DULUTH, GA, 30091  
 PHONE: 770-375-1351

THESE PLANS AND SPECIFICATIONS ARE PROTECTED UNDER FEDERAL COPYRIGHT LAWS. © GMD DESIGN GROUP OF GEORGIA, INC. NO PARTS OR REPRODUCTIONS OF SUCH AND ALL RIGHTS AND PRIVILEGES.

NO.	DATE	REVISION
1	03.16	FIRST SUBMITTAL
2	10.04.16	3RD CAR GARAGE OPTIONS ADDED
3	1.23.16	FRAME WALK CHANGES

PROFESSIONAL SEAL:  
 PROJECT TITLE:  
**40' Plans**

ISSUED FOR PERMIT CONSTRUCTION



CLIENTS NAME:  
 PROJECT NO: GMD-GAI6014  
 SHEET TITLE:  
**JESSAMINE - LH**  
**1st FLOOR**  
**PLAN 'A'**

PRINT DATE:  
 Jan 1, 2019  
 SHEET NO:  
**A1.1**

- FOR ADDITIONAL NOTES SEE GENERAL NOTES ON TITLE SHEET AND DETAILS.  
 - WINDOW HEAD HEIGHTS:  
 1ST FLOOR = 6'-10" UNO, ON ELEVATIONS.  
 2ND FLOOR = 6'-10" UNO, ON ELEVATIONS.

ALL DIMENSIONS TO WINDOWS AND DOORS ARE TO CENTERLINE.

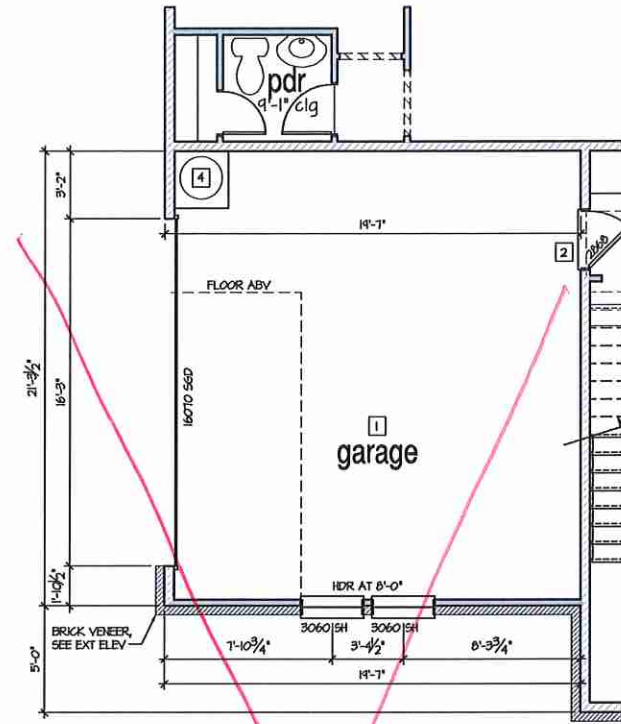
**WALL LEGEND:**

	2x4 WOOD STUD PARTITION		2x6 WOOD STUD PARTITION
	BRICK / STONE VENEER		STUD WALL BELOW HEIGHT AND STUD SIZE AS NOTED
	1/2" GYPSUM BOARD WALL HEIGHT AND STUD SIZE AS NOTED		DRYWALL OPENING HEIGHT AS NOTED ON PLAN

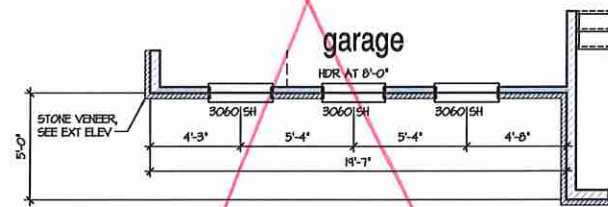
**KEY NOTES:**

- FIRE PROTECTION:**
- HOUSE TO GARAGE FIRE SEPARATION. GARAGEHOUSE SEPARATION AT VERTICAL SURFACES SHALL BE PROTECTED WITH ONE (1) LAYER 1/2" GYPSUM BOARD. (PER LOCAL CODE)
  - GARAGEHOUSE SEPARATION AT HORIZONTAL SURFACES SHALL BE PROTECTED WITH ONE (1) LAYER 5/8" TYPE 'X' GYPSUM BOARD. (PER LOCAL CODE)
  - HOUSE TO GARAGE DOOR SEPARATION. PROVIDE 1-3/8" SOLID CORE DOOR OR APPROVED 20 MINUTE RATED DOOR. (PER LOCAL CODE)
  - BENEATH STAIRS AND LANDINGS, 1/2" GYPSUM BOARD ON WALLS AND CEILING OF ENCLOSED ACCESSIBLE AREAS. (PER LOCAL CODE)
  - MEP'S
  - FOR THE USE OF EXPOSED GAS WATER HEATERS IN THE GARAGE, INSTALL THE WATER HEATER PER LOCAL CODE, 18" HIGH PLATFORM. PROTECT THE GAS APPLIANCE FROM MOTOR VEHICLE IMPACT PROTECTION PER LOCAL CODE.
  - FAU 8X8' PLATFORM VERIFY WITH TRUSS MANUFACTURER. (6'-6" MIN CLEAR HEIGHT TO HORIZONTAL MEMBERS, 2"x6" OVER 2"x4" BOTTOM CHORD, OF TRUSS, VERIFY W/ TRUSSES)
  - A/C CONDENSER PAD. (VERIFY)
  - PRE-FABRICATED METAL FIREPLACE. INSTALL PER MANUFACTURER'S WRITTEN INSTRUCTIONS.
  - ATTIC ACCESS LARGE ENOUGH TO REMOVE LARGEST PIECE OF EQUIPMENT BUT NOT LESS THAN 30"x22". FIRE RATED ACCESS AS NOTED. (PER LOCAL CODE)
  - ATTIC ACCESS LADDER. VERIFY LOCATION AND SIZE WITH TRUSSES. (25 1/2" X 54" SIZE)
- TYPICALS:**
- TEMPERED SAFETY GLASS. (PER LOCAL CODE)
  - PLYWOOD SHELF ABOVE WITH DRYWALL FINISH OVER. HEIGHT AS NOTED.
  - HALF WALL, HEIGHT AS NOTED.
  - INTERIOR SOFFITS: PFL = 8'-1" UNO. SFL = 7'-6" UNO.
  - BATHS:
  - SHOWER. TEMPERED GLASS ENCLOSURE.
  - TUB-SHOWER COMBO. TEMPERED GLASS ENCLOSURE.
  - CERAMIC TILE SHOWER AND FLOOR. TEMPERED GLASS ENCLOSURE.
  - GARDEN TUB IS A SLIDE IN FIBERGLASS MODEL. PER BUILDER KITCHEN:
  - 30" FREE STANDING ELECTRICAL RANGE OR OPT. GAS RANGE VENT PER MANUFACTURER'S WRITTEN INSTRUCTIONS.
  - 30" ELECTRICAL COOKTOP OR OPT. GAS COOKTOP AND HOOD VENT PER MANUFACTURER'S WRITTEN INSTRUCTIONS.
  - ELECTRIC OVEN WITH MICROWAVE OVEN.

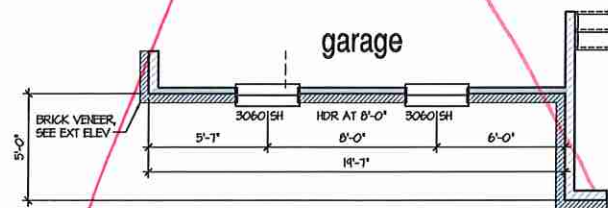
**9'-1" STAIR NOTE:**  
 (USE 14" T.S. WITH 3/4" PLYWOOD SUBFLOOR)  
 15 TREADS AT 10" EACH VERIFY  
 16 RISERS AT 7-1/2" = 124 1/4" TOTAL RISE VERIFY



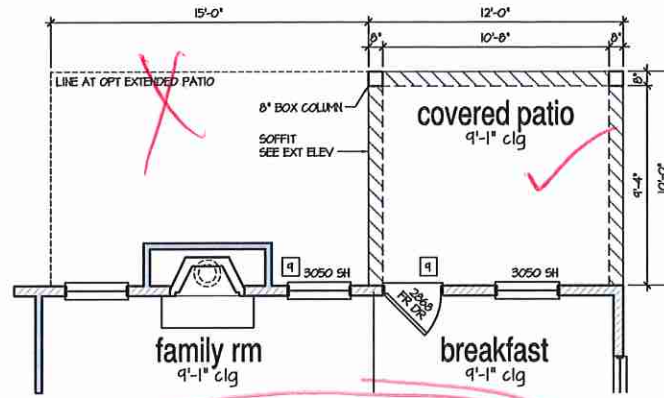
**Opt. Side-Load Garge 'A'**  
 SCALE: 1/4"=1'-0" AT 22'X34' LAYOUT 1/8"=1'-0" AT 11'X17' LAYOUT



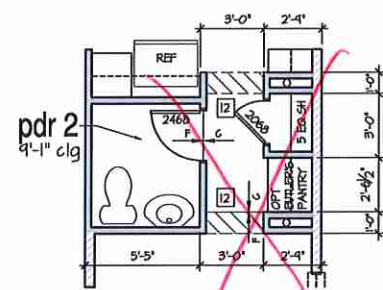
**Opt. Side-Load Garge 'B'**  
 SCALE: 1/4"=1'-0" AT 22'X34' LAYOUT 1/8"=1'-0" AT 11'X17' LAYOUT



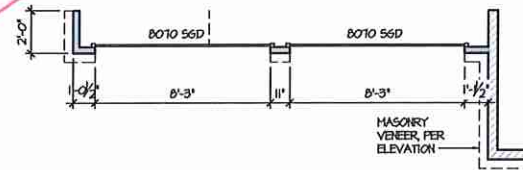
**Opt. Side-Load Garge 'C'**  
 SCALE: 1/4"=1'-0" AT 22'X34' LAYOUT 1/8"=1'-0" AT 11'X17' LAYOUT



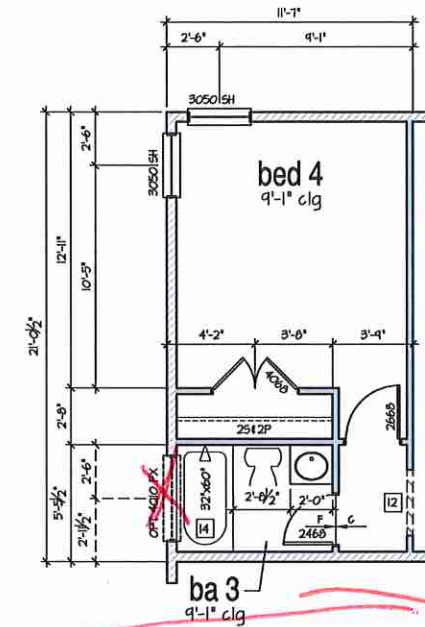
**Opt. Covered Patio**  
 SCALE: 1/4"=1'-0" AT 22'X34' LAYOUT 1/8"=1'-0" AT 11'X17' LAYOUT



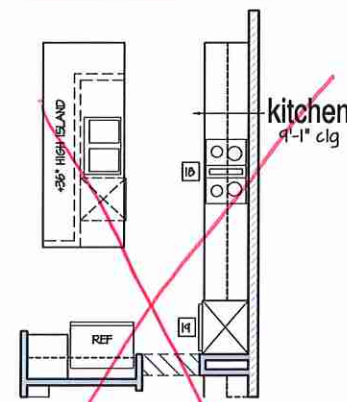
**Opt. Powder Room 2**  
 SCALE: 1/4"=1'-0" AT 22'X34' LAYOUT 1/8"=1'-0" AT 11'X17' LAYOUT



**Opt. 2 Door Garage**  
 SCALE: 1/4"=1'-0" AT 22'X34' LAYOUT 1/8"=1'-0" AT 11'X17' LAYOUT



**Opt. Bed 4 / Bath 3**  
 SCALE: 1/4"=1'-0" AT 22'X34' LAYOUT 1/8"=1'-0" AT 11'X17' LAYOUT



**Opt. Gourmet Kitchen**  
 SCALE: 1/4"=1'-0" AT 22'X34' LAYOUT 1/8"=1'-0" AT 11'X17' LAYOUT



ATLANTA, GEORGIA LOCATION  
 1045 SATELLITE BLVD  
 SUITE 850  
 DUBLIN, GA 30097  
 PHONE: 770-375-1351

THESE PLANS AND SPECIFICATIONS ARE PROTECTED UNDER FEDERAL COPYRIGHT LAWS. © GMD DESIGN GROUP OF GEORGIA, INC. MANIFACTURED BY THE GROUP AND ALL RIGHTS AND PRIVILEGES.

NO.	DATE	REVISION
02/20/16		FIRST SUBMITTAL
10/04/16		3RD CAR GARAGE OPTIONS ACCORD
8/23/16		FRAME WALK CHANGES

PROFESSIONAL SEAL:

PROJECT TITLE:  
**40' Plans**

ISSUED FOR/PERMIT CONSTRUCTION



CLIENTS NAME:  
 PROJECT NO: GMD-6A16014

SHEET TITLE:  
**JESSAMINE - LH  
 1st FLOOR  
 PLAN OPTIONS**

PRINT DATE:  
 Jan 1, 2019

SHEET NO:  
**A1.1.1**

- FOR ADDITIONAL NOTES SEE GENERAL NOTES ON TITLE SHEET AND DETAILS.  
 - WINDOW HEAD HEIGHTS:  
 1ST FLOOR = 6'-10" UNO, ON ELEVATIONS.  
 2ND FLOOR = 6'-10" UNO, ON ELEVATIONS.  
 ALL DIMENSIONS TO WINDOWS AND DOORS ARE TO CENTERLINE.

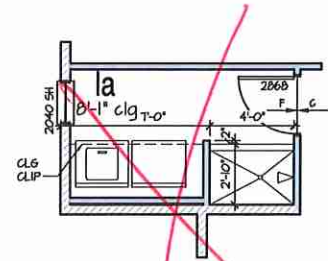
**WALL LEGEND:**

	2x4 HOOD STUD PARTITION		2x6 HOOD STUD PARTITION
	BRICK / STONE VENEER		STUD WALL BELOW HEIGHT AND STUD SIZE AS NOTED
	LOW GYPSUM BOARD WALL HEIGHT AND STUD SIZE AS NOTED		DRYWALL OPENING HEIGHT AS NOTED ON PLAN

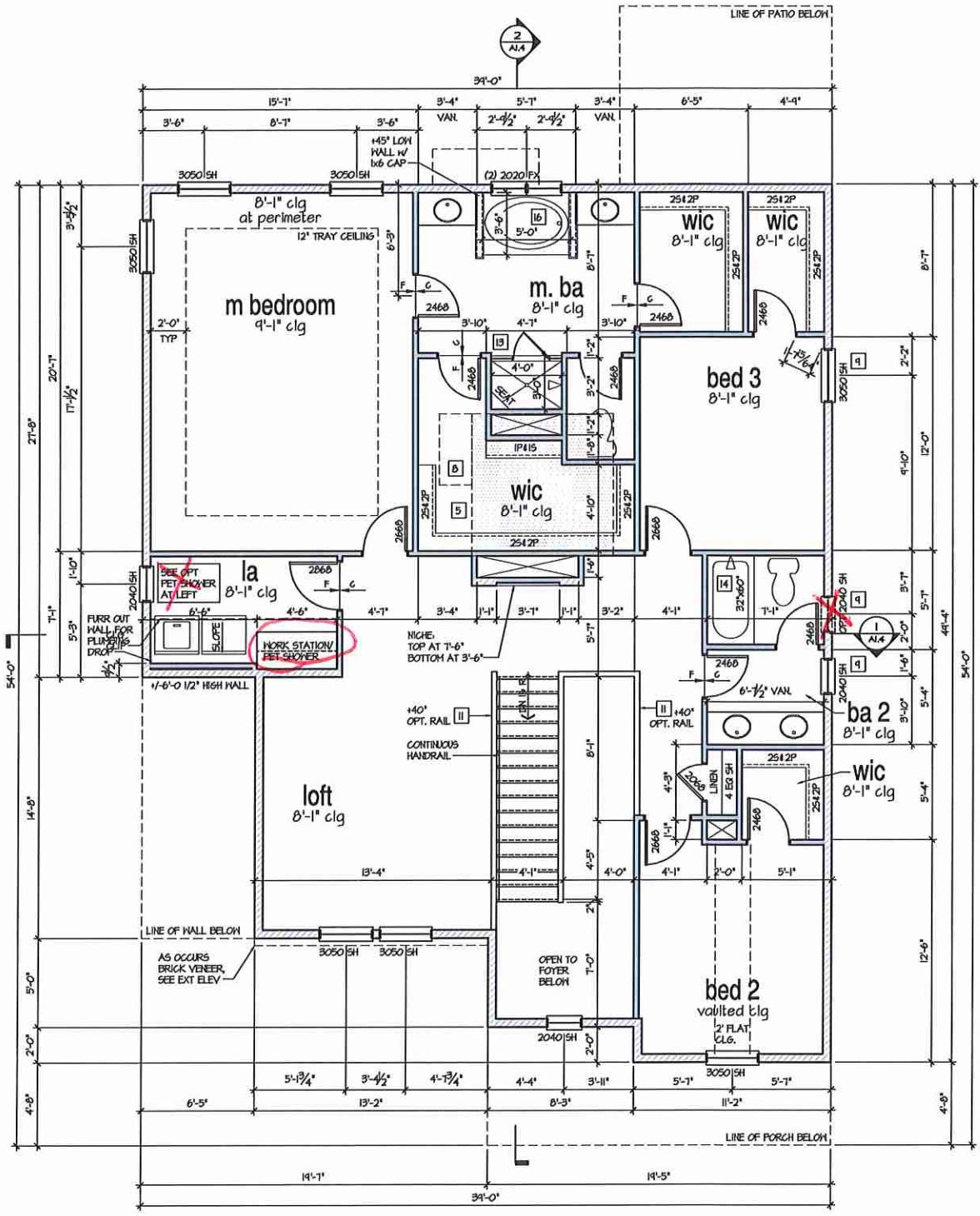
**KEY NOTES:**

- FIRE PROTECTION:**
- HOUSE TO GARAGE FIRE SEPARATION, GARAGE/HOUSE SEPARATION AT VERTICAL SURFACES SHALL BE PROTECTED WITH ONE (1) LAYER 1/2" GYPSUM BOARD, (PER LOCAL CODE). GARAGE/HOUSE SEPARATION AT HORIZONTAL SURFACES SHALL BE PROTECTED WITH ONE (1) LAYER 5/8" TYPE 'X' GYPSUM BOARD, (PER LOCAL CODE).
  - HOUSE TO GARAGE DOOR SEPARATION, PROVIDE 1-3/8" SOLID CORE DOOR OR APPROVED 20 MINUTE RATED DOOR, (PER LOCAL CODE).
  - BENEATH STAIRS AND LANDINGS, 1/2" GYPSUM BOARD ON WALLS AND CEILING OF ENCLOSED ACCESSIBLE AREAS, (PER LOCAL CODE) MEPS.
  - FOR THE USE OF EXPOSED GAS WATER HEATERS IN THE GARAGE, INSTALL THE WATER HEATER PER LOCAL CODE, 18" HIGH PLATFORM. PROTECT THE GAS APPLIANCE FROM MOTOR VEHICLE IMPACT PROTECTION PER LOCAL CODE.
  - FAU 0X80' PLATFORM, VERIFY WITH TRUSS MANUFACTURER. (6'-6" MIN. CLEAR HEIGHT TO HORIZONTAL MEMBERS, 2"x6" OVER 2"x4" BOTTOM CHORD, OF TRUSS, VERIFY W/ TRUSSES).
  - A/C CONDENSER PAD, (VERIFY)
  - PRE-FABRICATED METAL FIREPLACE. INSTALL PER MANUFACTURER'S WRITTEN INSTRUCTIONS.
  - ATTIC ACCESS LARGE ENOUGH TO REMOVE LARGEST PIECE OF EQUIPMENT BUT NOT LESS THAN 30"x22". FIRE RATED ACCESS AS NOTED, (PER LOCAL CODE). ATTIC ACCESS LADDER, VERIFY LOCATION AND SIZE WITH TRUSSES. (25 1/2" X 54" SIZE) TYPICALS.
  - TEMPERED SAFETY GLASS, (PER LOCAL CODE)
  - PLYWOOD SHELF ABOVE WITH DRYWALL FINISH OVER, HEIGHT AS NOTED.
  - HALF WALL, HEIGHT AS NOTED.
  - INTERIOR SOFFITS: FFL = 0'-1" UNO. SFL = 7'-6" UNO.
  - BATHS:
  - SHOWER, TEMPERED GLASS ENCLOSURE.
  - TUB-SHOWER CONDO. TEMPERED GLASS ENCLOSURE.
  - CERAMIC TILE SHOWER AND FLOOR, TEMPERED GLASS ENCLOSURE.
  - GARDEN TUB IS A SLIDE IN FIBERGLASS MODEL PER BUILDER.
  - KITCHEN:
  - 30" FREE STANDING ELECTRICAL RANGE OR OPT. GAS RANGE VENT PER MANUFACTURER'S WRITTEN INSTRUCTIONS.
  - 30" ELECTRICAL COOKTOP OR OPT. GAS COOKTOP AND HOOD VENT PER MANUFACTURER'S WRITTEN INSTRUCTIONS.
  - ELECTRIC OVEN WITH MICROWAVE OVEN.

**9'-1" STAIR NOTE:**  
 (USE 14" T.J WITH 3/4" PLYWOOD SUBFLOOR)  
 15 TREADS AT 10" EACH VERIFY  
 16 RISERS AT 11-7/8" = 124 1/4" TOTAL RISE VERIFY



*Opt. Pet Shower*  
 SCALE: 1/4"=1'-0" AT 22"x34" LAYOUT 1/8"=1'-0" AT 11"x17" LAYOUT



**2nd Floor Plan 'A'**  
 SCALE: 1/4"=1'-0" AT 22"x34" LAYOUT 1/8"=1'-0" AT 11"x17" LAYOUT



ATLANTA, GEORGIA LOCATION:  
 1845 SATELLITE BLVD  
 SUITE 050  
 DULUTH, GA 30071  
 PHONE: 770-375-1251

THESE PLANS AND SPECIFICATIONS ARE PROTECTED UNDER FEDERAL COPYRIGHT LAWS. © GMD DESIGN GROUP OF GEORGIA, INC. MAINTAINS OWNERSHIP OF SUCH AND ALL RIGHTS AND PRIVILEGES.

NO.	DATE	REVISION
1	05.20.16	FIRST SUBMITTAL
2	10.04.16	3RD GAR. GARAGE OPTIONS ADDED
3	11.29.16	FRAME WALK CHANGES

PROFESSIONAL SEAL:  
 PROJECT TITLE:  
**40' Plans**

ISSUED FOR/PERMIT CONSTRUCTION

CLIENT'S NAME:

PROJECT NO: GMD-GAI6014

SHEET TITLE:  
**JESSAMINE - LH  
 2nd FLOOR  
 PLAN 'A'**

PRINT DATE:  
 Jan 1, 2019

SHEET NO:  
**A1.2**

NO.	DATE	REVISION
1	02/20/16	FIRST SUBMITTAL
2	10/24/16	3RD GAR GARAGE OPTIONS ADDED
3	11/29/16	FRAME WALK CHANGES

PROFESSIONAL SEAL:

PROJECT TITLE:

40' Plans

ISSUED FOR/PERMIT  
CONSTRUCTION

CLIENT'S NAME:

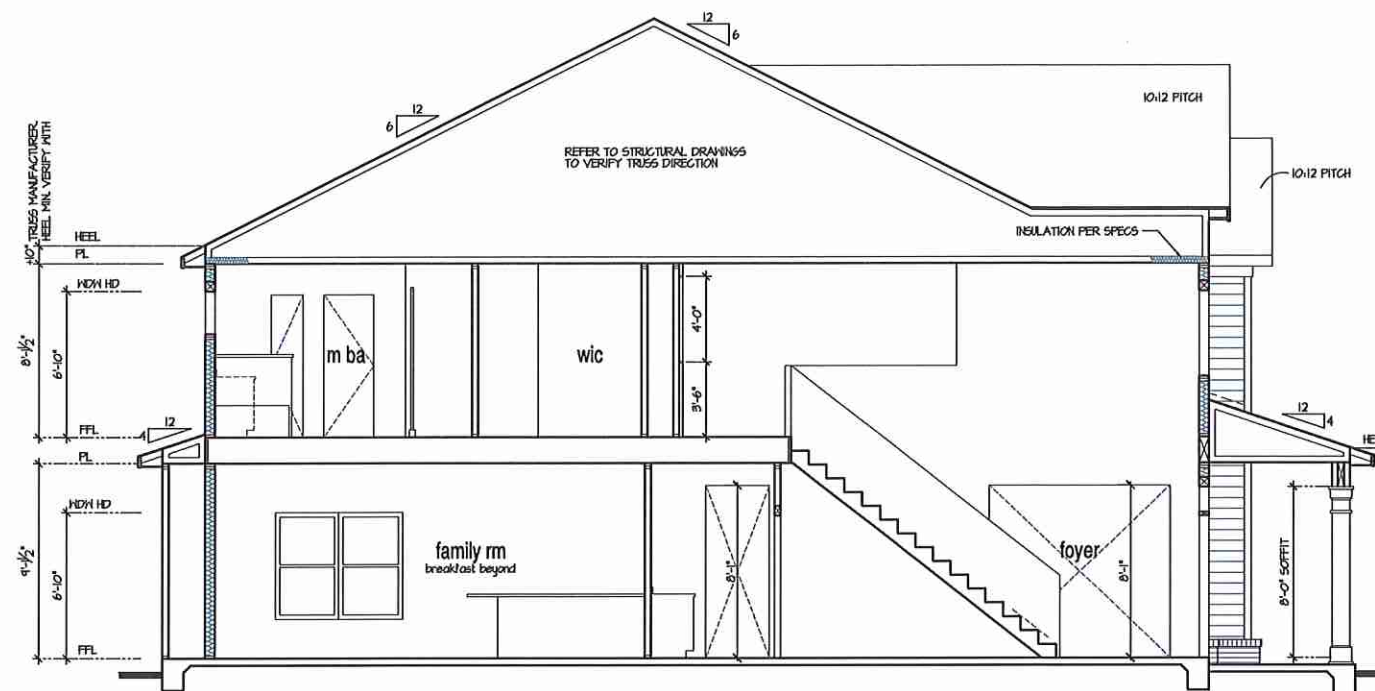
PROJECT NO: GMD-GAI6014

SHEET TITLE:  
JESSAMINE - LH  
BUILDING  
SECTIONS

PRINT DATE:  
Jan 1, 2019

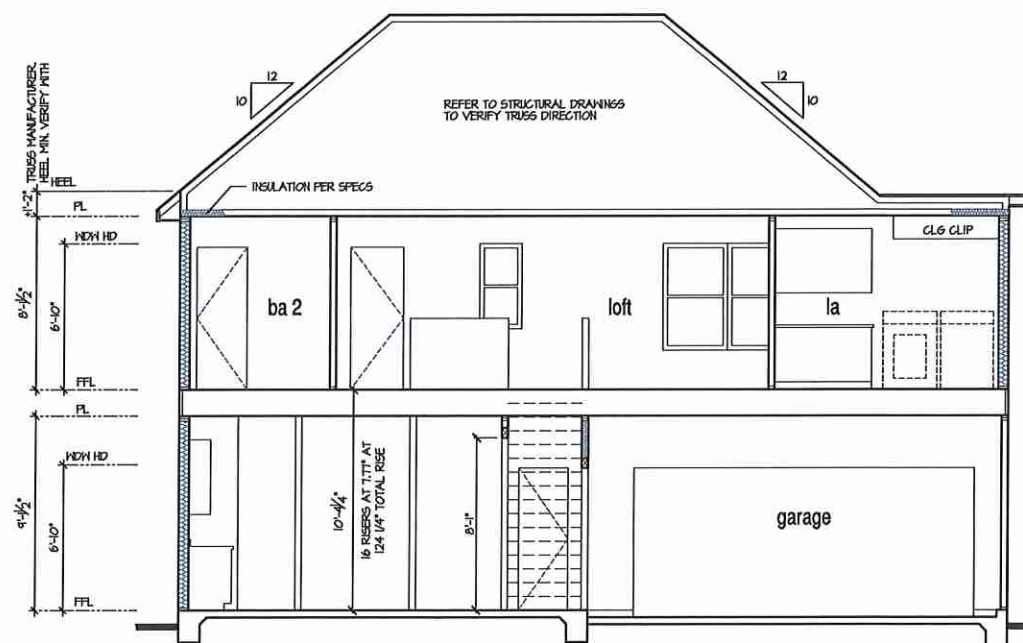
SHEET NO:

A1.4



**Building Section 2**

SCALE: 1/4"=1'-0" AT 22'x34' LAYOUT 1/8"=1'-0" AT 11'x11' LAYOUT



**Building Section 1**

SCALE: 1/4"=1'-0" AT 22'x34' LAYOUT 1/8"=1'-0" AT 11'x11' LAYOUT

**9'-1/2" STAIR NOTE:**  
(SEE 1" T.J. WITH 3/4" PLYWOOD SUBFLOOR)  
15 TREADS AT 10" EACH VERIFY  
16 RISERS AT 1/2" 1.11" = 124 1/4" TOTAL  
RISE VERIFY

**NOTES:**

- REFER TO FLOOR PLAN NOTES FOR TYPICAL FIRE PROTECTION NOTES AND LOCATIONS.
- THESE BUILDING SECTIONS MAY VARY AT ALTERNATE ELEVATION STYLES AND AT "PLAN OPTION" CONDITIONS. REFER TO MAIN FLOOR PLAN AND ALTERNATE FLOOR PLANS FOR INFORMATION NOT SHOWN HERE.
- BUILDING SECTIONS SHOWN HERE DEPICT VOLUME SPACES WITHIN THE STRUCTURE. REFER TO STRUCTURAL DRAWINGS, TRUSS DRAWINGS, STRUCTURAL DETAILS AND CALCULATIONS BY OTHER FOR ALL STRUCTURAL INFO.
- ROOFING: PITCHED SHINGLE ROOF. REFER TO ROOF PLAN FOR TYPICALS.
- FLOOR FLOORS: FLOOR SHEATHING OVER FLOOR JOIST. REFER TO STRUCTURAL AND TRUSS DRAWINGS BY OTHERS.
- VERIFY STAIRS MINIMUM AND MAXIMUM REQUIREMENTS FOR CONSTRUCTION CLEARANCES WITH LOCAL CODES.
- INSULATION:  
EXTERIOR WALLS ZONE 3: R-13 BATTIS MINIMUM. VERIFY  
EXTERIOR WALLS ZONE 4: R-15 BATTIS MINIMUM. VERIFY  
CEILING WITH ATTIC ABOVE COMPRESSED INSULATION:  
R-30 BATTIS MINIMUM. VERIFY  
CEILING WITH ATTIC ABOVE UNCOMPRESSED INSULATION (HEELS IN TRUSSES):  
R-30 BATTIS MINIMUM. VERIFY  
FLOOR OVER GARAGE: R-11 BATTIS MINIMUM. VERIFY  
ATTIC KNEEWALL: R-11 BATTIS MINIMUM. VERIFY  
CRAWL SPACE FLOORING: R-11 BATTIS MINIMUM. VERIFY

PER STATE RESIDENTIAL CODE  
COMPLIANCE METHOD TO BE  
DETERMINED BY BUILDER.

WINDOW GLAZING U-FACTOR: 0.35



NO.	DATE	REVISION
1	09.30.16	FIRST SUBMITTAL
2	10.24.16	3RD CAR GARAGE OPTIONS ADDED
3	11.29.16	FRAME WALK GRIDDING

PROFESSIONAL SEAL:  
  
PROJECT TITLE:  
**40' Plans**

ISSUED FOR PERMIT CONSTRUCTION

CLIENTS NAME:  
[Redacted]

PROJECT NO: GMD-GA16014

SHEET TITLE:  
**JESSAMINE - LH  
ROOF PLAN 'A'**

PRINT DATE:  
Jan 1, 2019

SHEET NO:  
**A1.5.2**

**ATTIC VENT CALCULATION FOR 'JESSAMINE': 1:150 RATIO.**

THE NET FREE VENTILATING AREA SHALL NOT BE LESS THAN 1/50 OF THE AREA OF THE SPACE VENTILATED.

GENERAL CONTRACTOR SHALL VERIFY THE NET FREE VENTILATION OF THE VENT PRODUCT SELECTED BY OWNER. VERIFY WITH MANUFACTURER OF HIGH AND LOW VENTS TO BE USED FOR MINIMUM CALCULATED VENTS REQUIRED. THE REQUIRED VENTILATION SHALL BE MAINTAINED. PROVIDE INSULATION STOP SUCH THAT INSULATION DOES NOT OBSTRUCT FREE AIR MOVEMENT AS REQUIRED BY THE BUILDING OFFICIAL.

ALL OVERLAP FRAMED ROOF AREAS SHALL HAVE OPENINGS BETWEEN THE ADJACENT ATTICS IN THE ROOF SHEATHING (AS ALLOWED BY THE STRUCTURAL ENGINEER) TO ALLOW PASSAGE AND ATTIC VENTILATION BETWEEN THE THD OR ISOLATED ATTIC SPACES SHALL BE VENTED INDEPENDENTLY TO CBC REQUIREMENTS.

PER DEVELOPER, AT ALL CANTILEVERED FLOORS, CANTILEVERED ARCHITECTURAL POP-OUTS, AND ANY DOUBLE FRAMING PROJECTIONS THAT ARE SEPARATED FROM THE VENTING CALCULATIONS SHOWN ABOVE, PROVIDE A CONTINUOUS 2" CORROSION RESISTANT SOFFIT VENT AT UNDERSIDE OF FRAMED ELEMENT.

1 SQUARE INCH VENT FOR EVERY 150 SQUARE INCHES OF CEILING  
\*144 SQ. IN. = 1 SQ. FT.  
BLDG. CEILING (SF) X 144 = BLDG (SQ. IN)  
BLDG. (SQ. IN) / 150 = SQ. IN. OF VENT REQUIRED

**ROOF AREA 1i = 1710 SF**  
1710 SQ. FT. X 144 = 254880 SQ. IN.  
254880 SQ. IN. / 150 = 1699.2 SQ. IN. OF VENT REQ'D

**ROOF AREA 2i = 107 SF**  
107 SQ. FT. X 144 = 15408 SQ. IN.  
15408 SQ. IN. / 150 = 102.72 SQ. IN. OF VENT REQ'D

**ROOF AREA 3i = 120 SF**  
120 SQ. FT. X 144 = 17280 SQ. IN.  
17280 SQ. IN. / 150 = 115.2 SQ. IN. OF VENT REQ'D

**ROOF AREA 4i = 240 SF**  
240 SQ. FT. X 144 = 34560 SQ. IN.  
34560 SQ. IN. / 150 = 230.4 SQ. IN. OF VENT REQ'D

**NOTES:**

- ALL ROOF DRAINAGE SHALL BE PIPED TO STREET OR APPROVED DRAINAGE FACILITY.
- DASHED LINES INDICATE HALL BELOW.
- LOCATE GUTTER AND DOWNSPOUTS PER BUILDER.
- PITCHED ROOFS AS NOTED.
- TRUSS MANUFACTURER SHALL SUBMIT STRUCTURAL CALCS AND SHOP DRAWINGS TO THE BUILDER'S GENERAL CONTRACTOR AND BUILDING DEPARTMENT FOR REVIEW PRIOR TO FABRICATIONS.
- ALL FLASHING VENTS SHALL BE COVERED INTO A HIGH AMOUNT OF ROOF PENETRATIONS. ALL ROOF PENETRATIONS SHALL OCCUR TO THE REAR OF THE MAIN RIDGE.

**ATTIC VENT CALCULATION FOR 'JESSAMINE': 1:300 RATIO.**

AS AN ALTERNATE TO THE 1/50 RATIO LISTED ABOVE, THE NET FREE CROSS-VENTILATION AREA MAY BE REDUCED TO 1/300 PER 2012 IRC SECTION R0602.

GENERAL CONTRACTOR SHALL VERIFY THE NET FREE VENTILATION OF THE VENT PRODUCT SELECTED BY OWNER. VERIFY WITH MANUFACTURER OF HIGH AND LOW VENTS TO BE USED FOR MINIMUM CALCULATED VENTS REQUIRED. THE REQUIRED VENTILATION SHALL BE MAINTAINED. PROVIDE INSULATION STOP SUCH THAT INSULATION DOES NOT OBSTRUCT FREE AIR MOVEMENT AS REQUIRED BY THE BUILDING OFFICIAL.

ALL OVERLAP FRAMED ROOF AREAS SHALL HAVE OPENINGS BETWEEN THE ADJACENT ATTICS IN THE ROOF SHEATHING (AS ALLOWED BY THE STRUCTURAL ENGINEER) TO ALLOW PASSAGE AND ATTIC VENTILATION BETWEEN THE THD OR ISOLATED ATTIC SPACES SHALL BE VENTED INDEPENDENTLY TO CBC REQUIREMENTS.

PER DEVELOPER, AT ALL CANTILEVERED FLOORS, CANTILEVERED ARCHITECTURAL POP-OUTS, AND ANY DOUBLE FRAMING PROJECTIONS THAT ARE SEPARATED FROM THE VENTING CALCULATIONS SHOWN ABOVE, PROVIDE A CONTINUOUS 2" CORROSION RESISTANT SOFFIT VENT AT UNDERSIDE OF FRAMED ELEMENT.

1 SQUARE INCH VENT FOR EVERY 300 SQUARE INCHES OF CEILING  
\*144 SQ. IN. = 1 SQ. FT.  
BLDG. CEILING (SF) X 144 = BLDG (SQ. IN)  
BLDG. (SQ. IN) / 300 = SQ. IN. OF VENT REQUIRED

50% AT HIGH & 50% AT LOW

**ROOF AREA 1i = 1710 SF**  
1710 SQ. FT. X 144 = 254880 SQ. IN.  
254880 SQ. IN. / 300 = 849.6 SQ. IN. OF VENT REQ'D  
849.6 SQ. IN. / 2 = 424.8 SQ. IN.

424.8 SQ. IN. OF VENT AT HIGH & 424.8 SQ. IN. OF VENT AT LOW REQUIRED.

**ROOF AREA 2i = 107 SF**  
107 SQ. FT. X 144 = 15408 SQ. IN.  
15408 SQ. IN. / 300 = 51.36 SQ. IN. OF VENT REQ'D  
51.36 SQ. IN. / 2 = 25.68 SQ. IN.

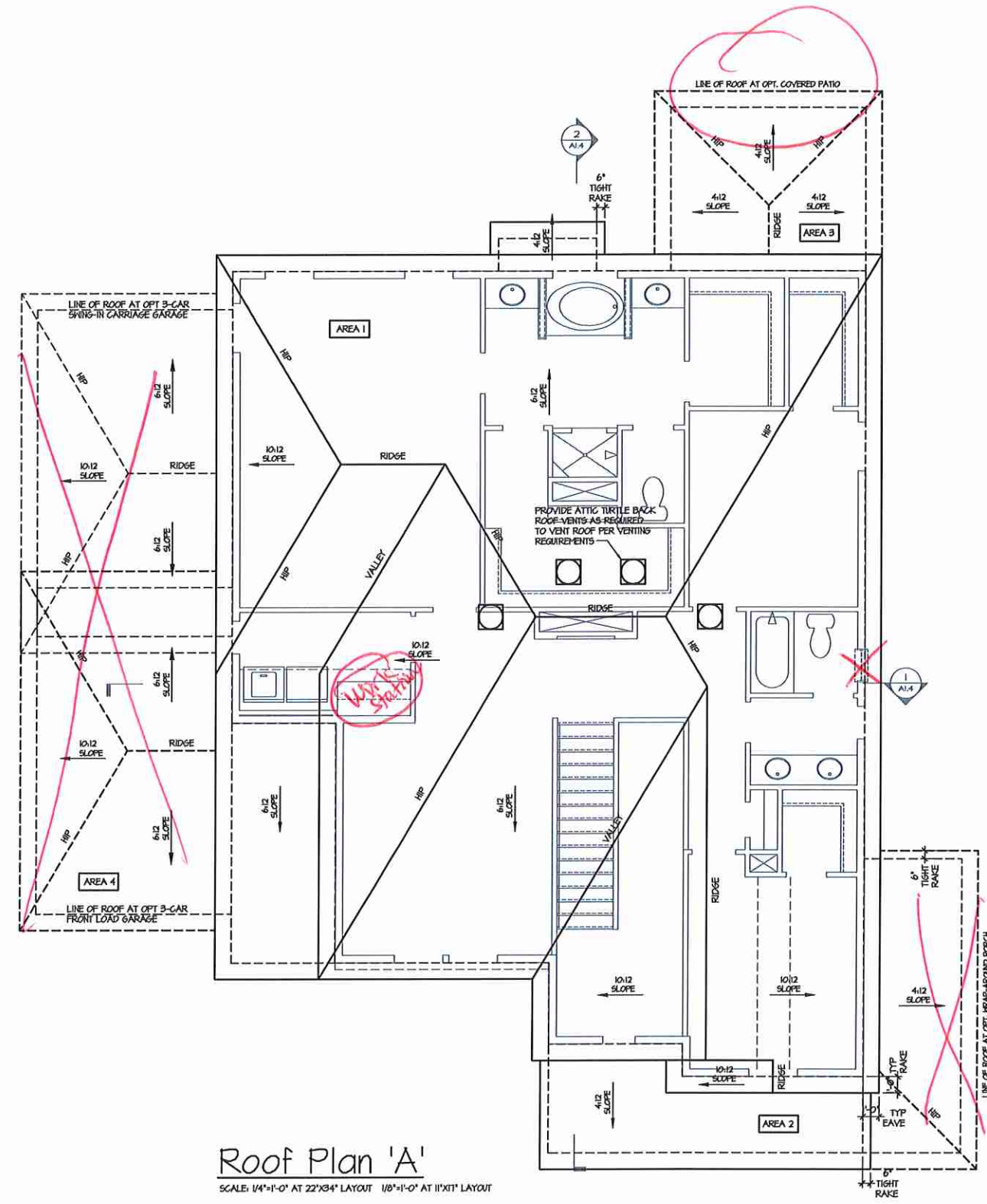
25.68 SQ. IN. OF VENT AT HIGH & 25.68 SQ. IN. OF VENT AT LOW REQUIRED.

**ROOF AREA 3i = 120 SF**  
120 SQ. FT. X 144 = 17280 SQ. IN.  
17280 SQ. IN. / 300 = 57.6 SQ. IN. OF VENT REQ'D  
57.6 SQ. IN. / 2 = 28.8 SQ. IN.

28.8 SQ. IN. OF VENT AT HIGH & 28.8 SQ. IN. OF VENT AT LOW REQUIRED.

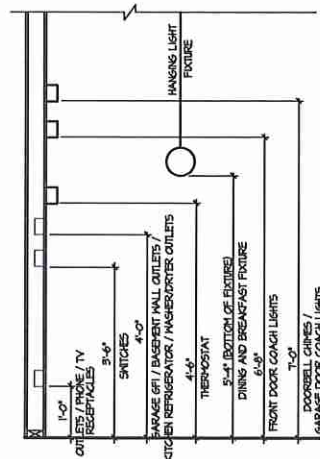
**ROOF AREA 4i = 240 SF**  
240 SQ. FT. X 144 = 34560 SQ. IN.  
34560 SQ. IN. / 300 = 115.2 SQ. IN. OF VENT REQ'D  
115.2 SQ. IN. / 2 = 57.6 SQ. IN.

57.6 SQ. IN. OF VENT AT HIGH & 57.6 SQ. IN. OF VENT AT LOW REQUIRED.

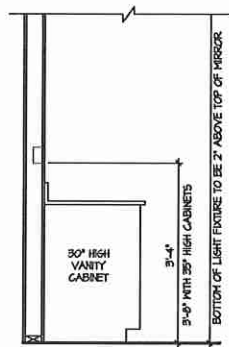


Roof Plan 'A'  
SCALE: 1/4"=1'-0" AT 22'x34" LAYOUT 1/8"=1'-0" AT 11'x11" LAYOUT

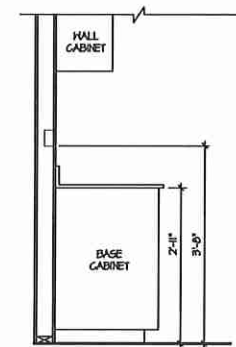




STANDARD ELECTRICAL BOX HEIGHTS



SWITCH AND RECEPTACLE BOXES OVER BATH CABINETS



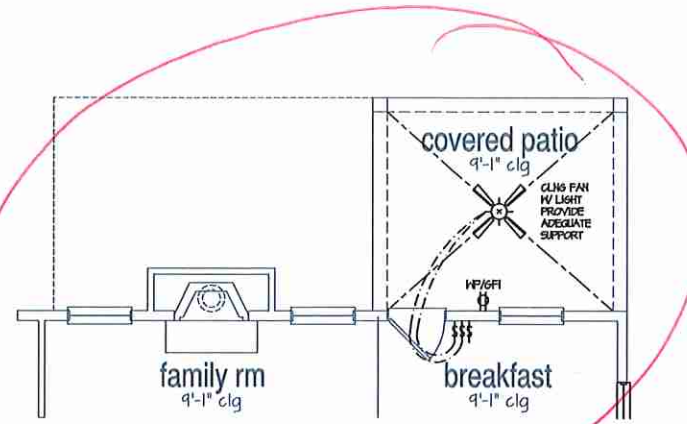
SWITCH AND RECEPTACLE BOXES OVER KITCHEN CABINETS

NOTES:

- PROVIDE GROUNDING ELECTRICAL ROD PER LOCAL CODES.
- PROVIDE AND INSTALL ARC FAULT CIRCUIT-INTERRUPTERS (AFCI) AS REQUIRED BY NATIONAL ELECTRICAL CODE (NEC) AND MEETING THE REQUIREMENTS OF ALL GOVERNING CODES.
- ALL EXHAUST FANS SHALL HAVE BACKDRAFT DAMPERS.
- FANLIGHTS IN MET/DAMP LOCATIONS SHALL BE LABELED "SUITABLE FOR MET OR DAMP LOCATIONS."
- ELECTRICAL SYSTEMS ARE SHOWN FOR INTENT ONLY. THESE SYSTEMS SHALL BE ENGINEERED BY OTHERS. THE CONTRACTOR SHALL BE RESPONSIBLE FOR PROPER INSTALLATION AND PLACEMENT.
- PROVIDE AND INSTALL LOCALLY CERTIFIED SMOKE DETECTORS AND CO2 DETECTORS AS REQUIRED BY NATIONAL FIRE PROTECTION ASSOCIATION (NFPA) AND MEETING THE REQUIREMENTS OF ALL GOVERNING CODES.
- PROVIDE AND INSTALL GROUND FAULT CIRCUIT-INTERRUPTERS (GFI) AS REQUIRED BY NATIONAL ELECTRICAL CODE (NEC) AND MEETING THE REQUIREMENTS OF ALL GOVERNING CODES.
- ELECTRICAL CONTRACTOR TO PROVIDE REQUIRED DIRECT HOOK-UPS/CUTOFFS.
- HVAC CONTRACTOR TO VERIFY THERMOSTAT LOCATIONS.
- ALL ELECTRICAL AND MECHANICAL EQUIPMENT (FURNACES, A/C UNITS, ELECTRICAL PANELS, SANITARY SUMP PITS, DRAIN TILE SUMP, AND WATER HEATERS) ARE SUBJECT TO RELOCATION DUE TO FIELD CONDITIONS.
- PROVIDE POWER, LIGHT AND SWITCH AS REQUIRED FOR ATTIC FURNACE PER CODE AND MANUFACTURER'S WRITTEN INSTRUCTIONS.

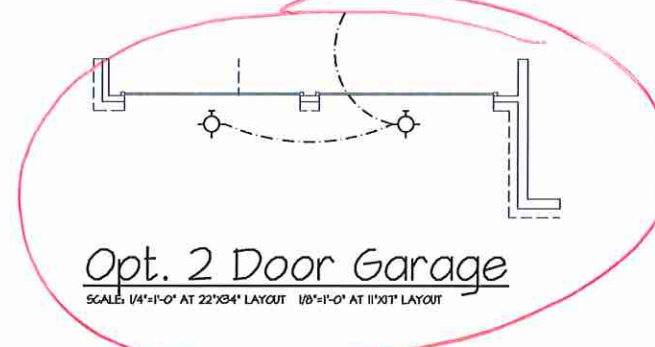
LEGEND:

⊕	DUPLEX OUTLET	⊕	UNDERCOUNTER FLUORESCENT LIGHT FIXTURE
⊕HP/WR	HEATERPROOF GFI DUPLEX OUTLET	⊕	CEILING MOUNTED INCANDESCENT LIGHT FIXTURE
⊕GFI	GROUND-FAULT CIRCUIT-INTERRUPTER DUPLEX OUTLET	⊕	HALL MOUNTED INCANDESCENT LIGHT FIXTURE
⊕	HALF-SWITCHED DUPLEX OUTLET	⊕	RECESSED INCANDESCENT LIGHT FIXTURE (NP) = VAPOR PROOF
⊕220V	220 VOLT OUTLET	⊕	EXHAUST FAN (VENT TO EXTERIOR)
⊕	REINFORCED JUNCTION BOX	⊕	EXHAUST FANLIGHT CONNECTION (VENT TO EXTERIOR)
⊕	HALL SWITCH	⊕	FLUORESCENT LIGHT FIXTURE
⊕3	THREE-WAY SWITCH	⊕	TECH. HUB SYSTEM
⊕4	FOUR-WAY SWITCH	⊕	CEILING FAN (PROVIDE ADEQUATE SUPPORT)
⊕	GFI'S	⊕	CEILING FAN WITH INCANDESCENT LIGHT FIXTURE (PROVIDE ADEQUATE SUPPORT)
⊕	PUSHBUTTON SWITCH	⊕	GAS SUPPLY WITH VALVE
⊕	10V SMOKE DETECTOR W/ BATTERY BACKUP	⊕	HOSE BIB
⊕	CO2 DETECTOR	⊕	1/4" WATER STOP OUT
⊕	THERMOSTAT	⊕	HALL SCORCE
⊕	TELEPHONE		
⊕	TELEVISION		
⊕	ELECTRIC METER		
⊕	ELECTRIC PANEL		
⊕	DISCONNECT SWITCH		



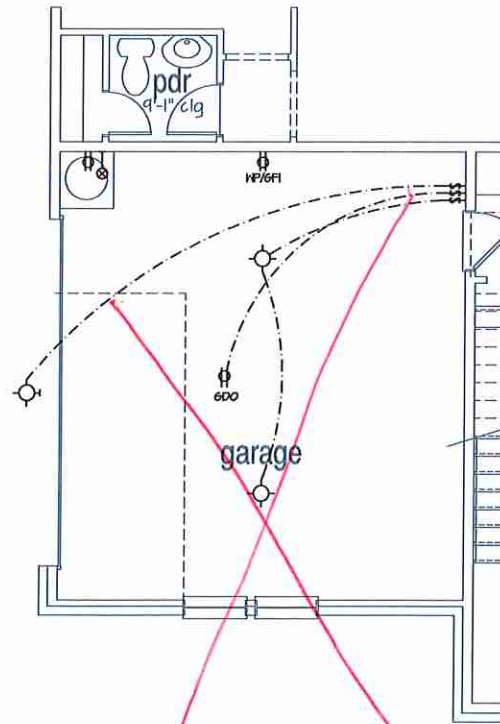
Opt. Covered Patio

SCALE: 1/4"=1'-0" AT 22"x34" LAYOUT 1/8"=1'-0" AT 11"x11" LAYOUT



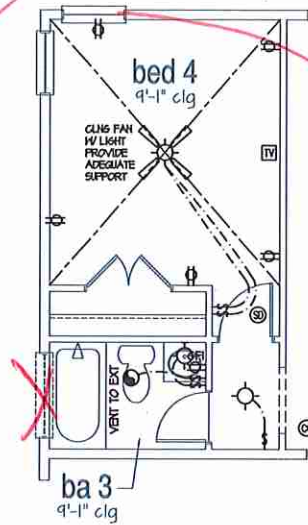
Opt. 2 Door Garage

SCALE: 1/4"=1'-0" AT 22"x34" LAYOUT 1/8"=1'-0" AT 11"x11" LAYOUT



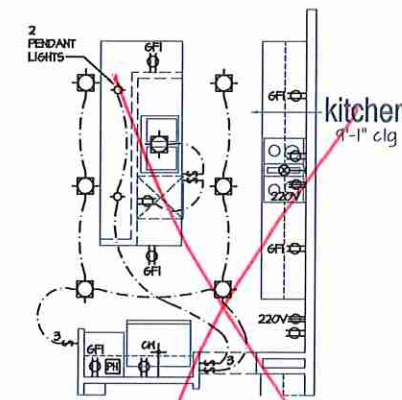
Opt. Side-Load Garage 'A'

SCALE: 1/4"=1'-0" AT 22"x34" LAYOUT 1/8"=1'-0" AT 11"x11" LAYOUT



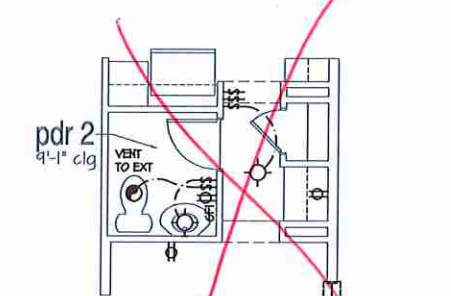
Opt. Bed 4 / Bath 3

SCALE: 1/4"=1'-0" AT 22"x34" LAYOUT 1/8"=1'-0" AT 11"x11" LAYOUT



Opt. Gourmet Kitchen

SCALE: 1/4"=1'-0" AT 22"x34" LAYOUT 1/8"=1'-0" AT 11"x11" LAYOUT



Opt. Powder Room 2

SCALE: 1/4"=1'-0" AT 22"x34" LAYOUT 1/8"=1'-0" AT 11"x11" LAYOUT



ATLANTA, GEORGIA LOCATION:  
1845 SATELLITE BLVD  
SUITE 250  
DUBLIN, GA 30047  
PHONE: 770-375-1251

THESE PLANS AND SPECIFICATIONS ARE PROTECTED UNDER FEDERAL COPYRIGHT LAWS. © GMD DESIGN GROUP OF GEORGIA, INC. NO REPRODUCTION OR TRANSMISSION IN ANY FORM OR BY ANY MEANS, ELECTRONIC OR MECHANICAL, INCLUDING PHOTOCOPYING, RECORDING, OR BY ANY INFORMATION STORAGE AND RETRIEVAL SYSTEM, IS PERMITTED WITHOUT THE WRITTEN PERMISSION OF GMD DESIGN GROUP OF GEORGIA, INC.

NO.	DATE	REVISION
1	02/20/16	FIRST SUBMITTAL
2	10/04/16	2ND CAR GARAGE OPTIONS ADDED
3	11/29/16	FRAME HALL CHANGES

PROFESSIONAL SEAL:

PROJECT TITLE:

40' Plans

ISSUED FOR/PERMIT CONSTRUCTION

CLIENT'S NAME:



PROJECT NO: GMD-GAI6014

SHEET TITLE:

JESSAMINE - LH  
1st FLOOR  
UTILITY PLAN

PRINT DATE:

Jan 1, 2019

SHEET NO:

E1.1

NO.	DATE	REVISION
1	09.20.16	FIRST SUBMITTAL
2	10.04.16	2ND CAR GARAGE OPTIONS ADDED
3	11.29.16	FRAME WALK CHANGES

PROFESSIONAL SEAL:

PROJECT TITLE:

**40' Plans**

ISSUED FOR/PERMIT  
CONSTRUCTION

CLIENTS NAME:



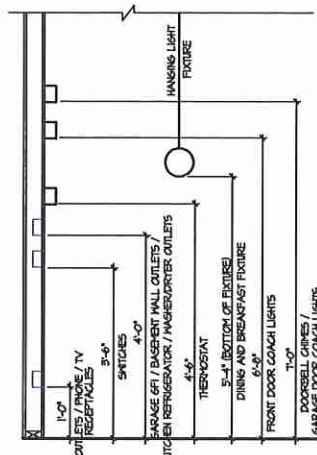
PROJECT NO: GMD-GAI6014

SHEET TITLE:  
**JESSAMINE - LH  
2nd FLOOR  
UTILITY PLAN**

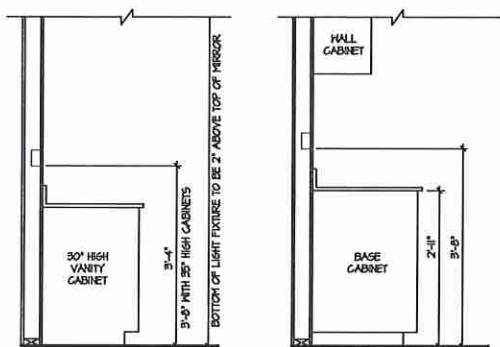
PRINT DATE:  
Jan 1, 2019

SHEET NO:

**E2.0**



**STANDARD ELECTRICAL BOX HEIGHTS**



**SWITCH AND RECEPTACLE BOXES  
OVER BATH CABINETS**

**SWITCH AND RECEPTACLE BOXES  
OVER KITCHEN CABINETS**

**NOTES:**

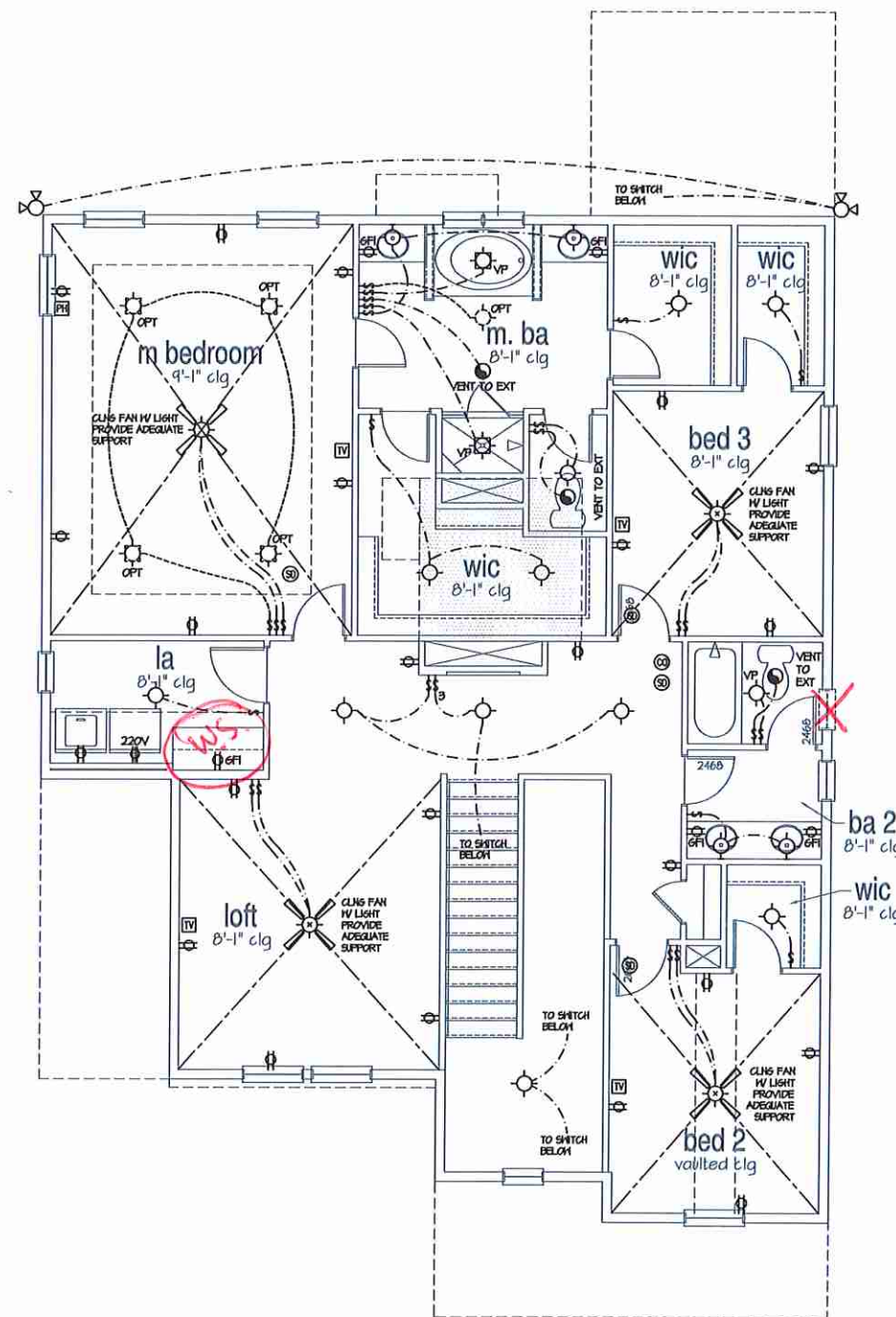
- PROVIDE GROUNDING ELECTRICAL ROD PER LOCAL CODES.
- PROVIDE AND INSTALL ARC FAULT CIRCUIT-INTERRUPTERS (AFCI) AS REQUIRED BY NATIONAL ELECTRICAL CODE (NEC) AND MEETING THE REQUIREMENTS OF ALL GOVERNING CODES.
- ALL EXHAUST FANS SHALL HAVE BACKDRAFT DAMPERS.
- FAN/LIGHTS IN MET/DAMP LOCATIONS SHALL BE LABELED "SUITABLE FOR MET OR DAMP LOCATIONS."
- ELECTRICAL SYSTEMS ARE SHOWN FOR INTENT ONLY. THESE SYSTEMS SHALL BE ENGINEERED BY OTHERS. THE CONTRACTOR SHALL BE RESPONSIBLE FOR PROPER INSTALLATION AND PLACEMENT.
- PROVIDE AND INSTALL LOCALLY CERTIFIED SMOKE DETECTORS AND CO2 DETECTORS AS REQUIRED BY NATIONAL FIRE PROTECTION ASSOCIATION (NFPA) AND MEETING THE REQUIREMENTS OF ALL GOVERNING CODES.
- PROVIDE AND INSTALL GROUND FAULT CIRCUIT-INTERRUPTERS (GFI) AS REQUIRED BY NATIONAL ELECTRICAL CODE (NEC) AND MEETING THE REQUIREMENTS OF ALL GOVERNING CODES.
- ELECTRICAL CONTRACTOR TO PROVIDE REQUIRED DIRECT HOOK-UPS/CUTOFFS.
- HVAC CONTRACTOR TO VERIFY THERMOSTAT LOCATIONS.
- ALL ELECTRICAL AND MECHANICAL EQUIPMENT (FURNACES, A/C UNITS, ELECTRICAL PANELS, SANITARY SUMP PITS, DRAIN TILE SUMP, AND WATER HEATERS) ARE SUBJECT TO RELOCATION DUE TO FIELD CONDITIONS.
- PROVIDE POWER, LIGHT AND SWITCH AS REQUIRED FOR ATTIC FURNACE PER CODE AND MANUFACTURER'S WRITTEN INSTRUCTIONS.

**LEGEND:**

⊕	DUPLEX OUTLET	⊖	UNDERCOUNTER FLUORESCENT LIGHT FIXTURE
⊕	HEATHERPROOF GFI DUPLEX OUTLET	⊖	CEILING MOUNTED INCANDESCENT LIGHT FIXTURE
⊕	GFI	⊖	HALL MOUNTED INCANDESCENT LIGHT FIXTURE
⊕	GROUND-FAULT CIRCUIT-INTERRUPTER DUPLEX OUTLET	⊖	RECESSED INCANDESCENT LIGHT FIXTURE (MP) + VAPOR PROOF
⊕	HALF-SWITCHED DUPLEX OUTLET	⊖	EXHAUST FAN (VENT TO EXTERIOR)
⊕	220V 220 VOLT OUTLET	⊖	EXHAUST FAN WITH COMBINATION (VENT TO EXTERIOR)
⊕	REINFORCED JUNCTION BOX	⊖	FLUORESCENT LIGHT FIXTURE
⊕	HALL SWITCH	⊖	TECH HUB SYSTEM
⊕	THREE-WAY SWITCH	⊖	GAS SUPPLY WITH VALVE
⊕	FOUR-WAY SWITCH	⊖	HOSE BIBB
⊕	GFI'S	⊖	1/4" WATER SHUT OUT
⊕	PUSHBUTTON SWITCH	⊖	HALL SCONCE
⊕	10V SMOKE DETECTOR W/ BATTERY BACKUP	⊖	
⊕	CO2 DETECTOR	⊖	
⊕	THERMOSTAT	⊖	
⊕	TELEPHONE	⊖	
⊕	TELEVISION	⊖	
⊕	ELECTRIC METER	⊖	
⊕	ELECTRIC PANEL	⊖	
⊕	DISCONNECT SWITCH	⊖	

**Opt. Pet Shower**

SCALE: 1/4"=1'-0" AT 22'X34' LAYOUT 1/8"=1'-0" AT 11'X11' LAYOUT



**2nd Floor Plan 'A'**

SCALE: 1/4"=1'-0" AT 22'X34' LAYOUT 1/8"=1'-0" AT 11'X11' LAYOUT

NO.	DATE	REVISION
1	05/16/16	FIRST SUBMITTAL
2	01/28/16	FRAMEWORK CHANGES

PROFESSIONAL SEAL:

PROJECT TITLE:

CLIENTS NAME:

PROJECT NO: GMD-GAI6014

SHEET TITLE:

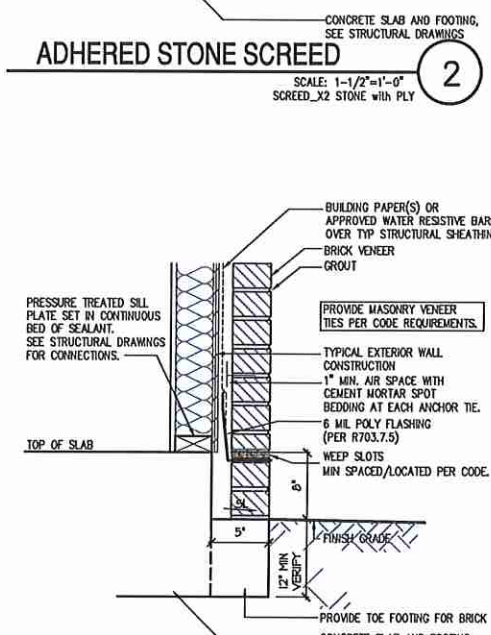
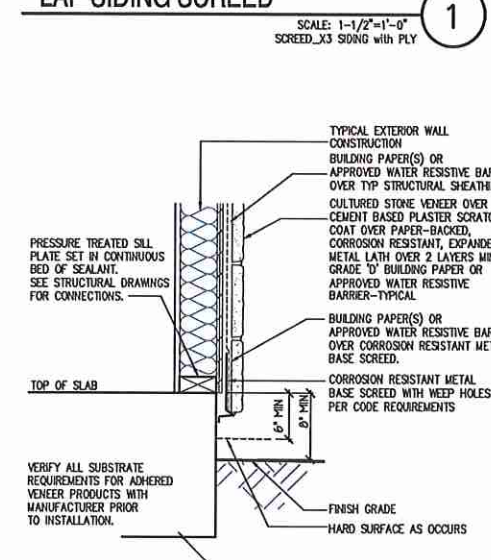
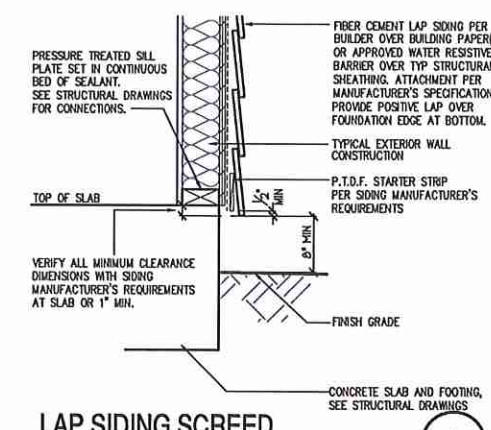
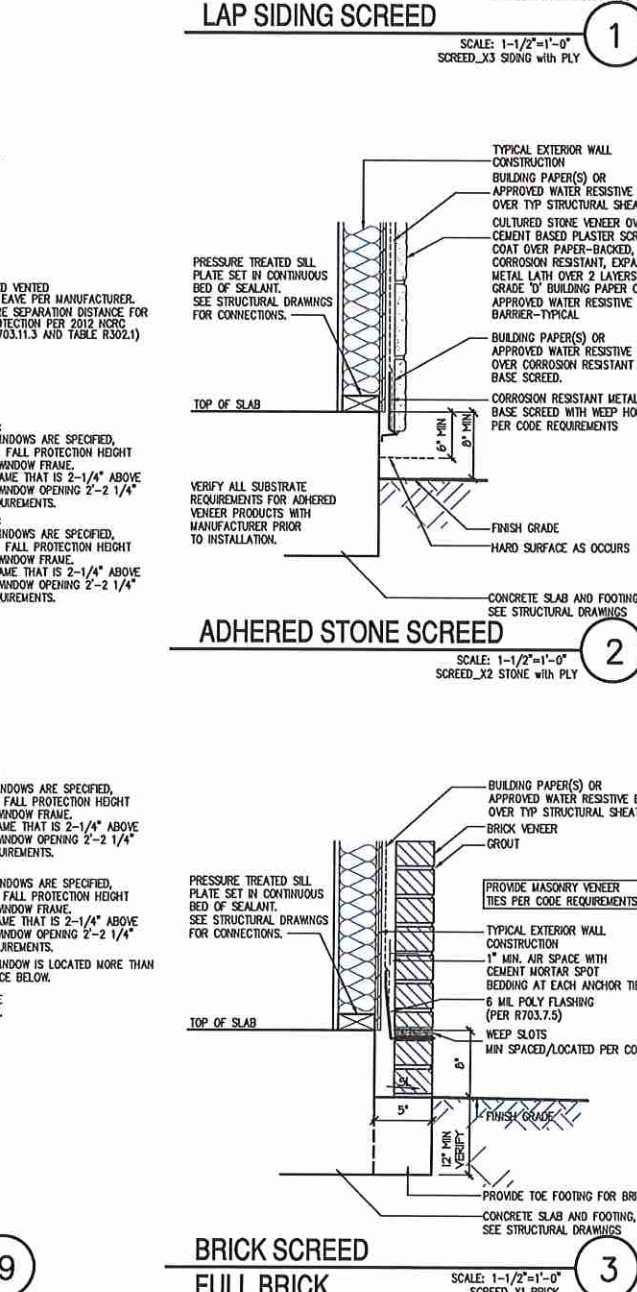
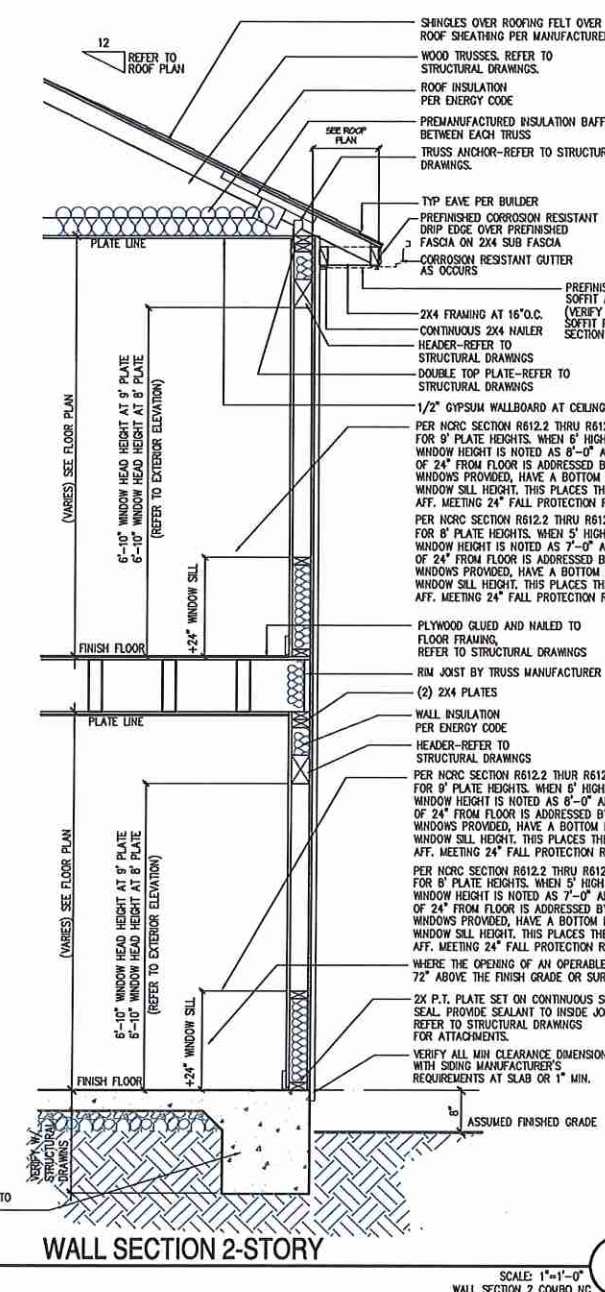
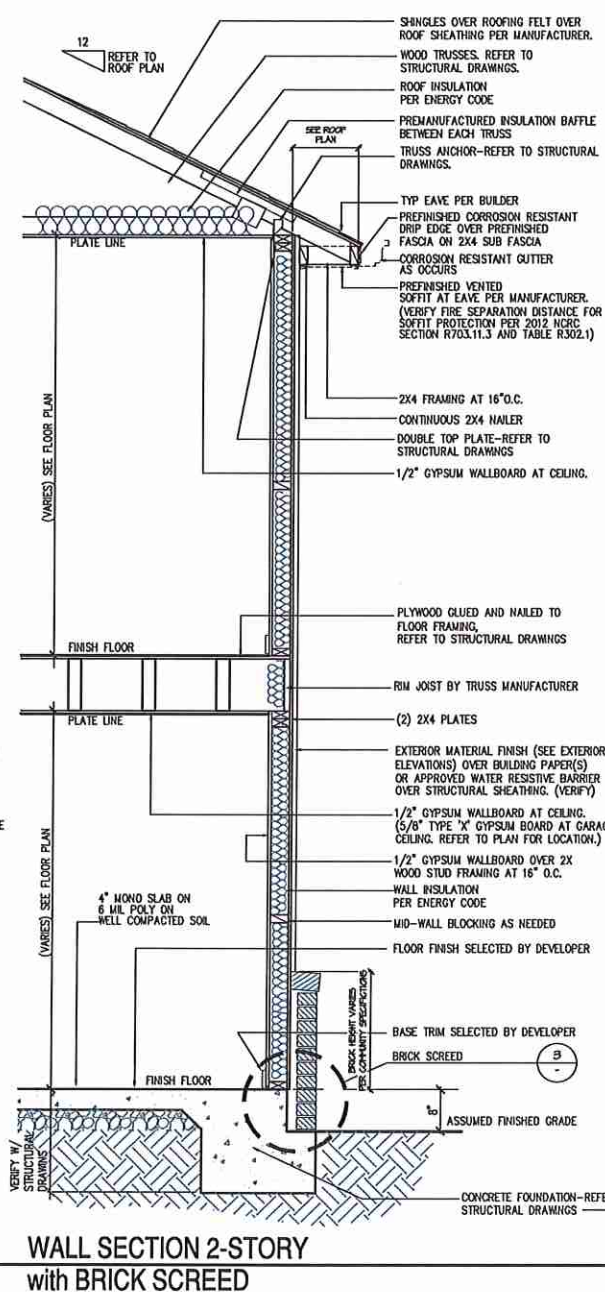
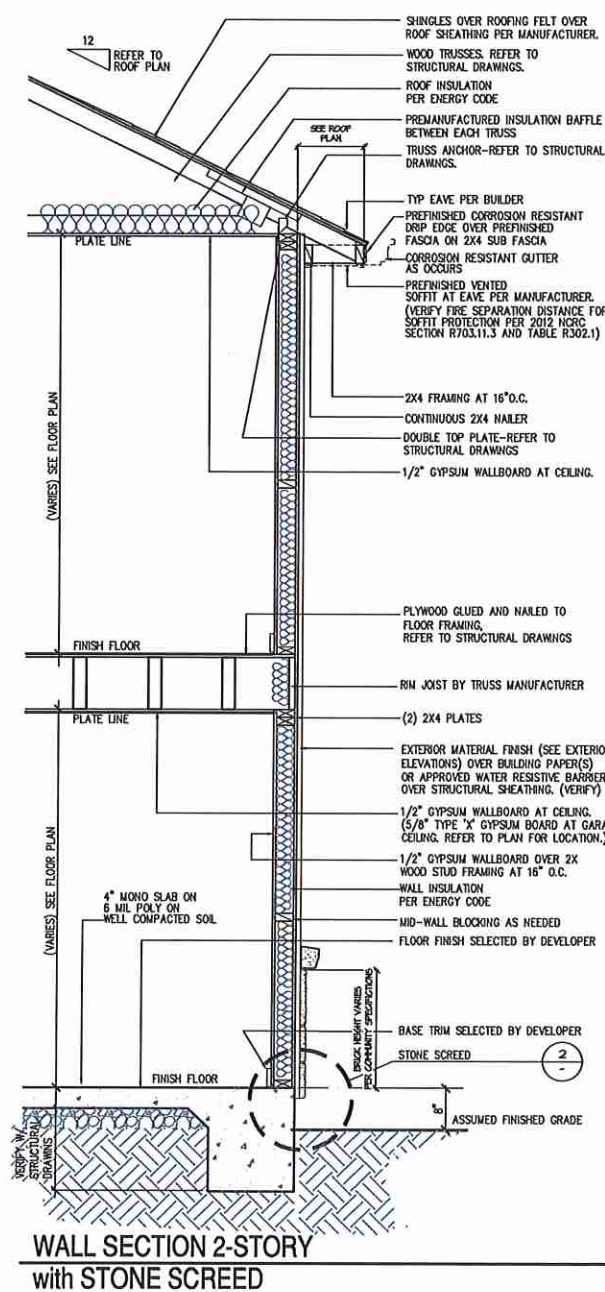
DETAILS

PRINT DATE:

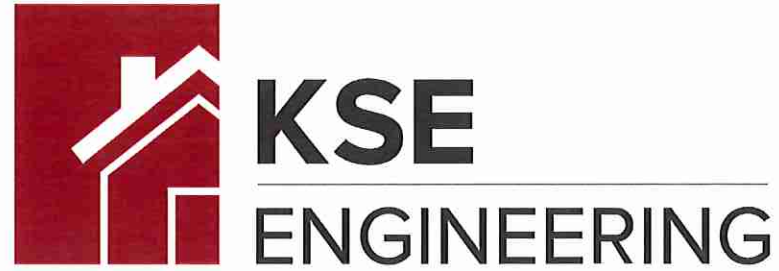
Jan 1, 2019

SHEET NO:

**D-1**



**ISSUED FOR/PERMIT CONSTRUCTION**



1900 AM DRIVE, SUITE 201, QUAKERTOWN, PA 18951  
 www.kse-eng.com (215) 804-4449

# JESSAMINE

## CAROLINA DIVISION

THESE DRAWINGS ARE TO BE USED IN CONJUNCTION WITH AND COORDINATED WITH THE ARCHITECTURAL, CIVIL, MECHANICAL, ELECTRICAL, AND PLUMBING DRAWINGS. THIS COORDINATION IS NOT THE RESPONSIBILITY OF THE STRUCTURAL ENGINEER OF RECORD (SER). SHOULD ANY DISCREPANCIES BECOME APPARENT, THE CONTRACTOR SHALL NOTIFY KSE ENGINEERING, P.C. BEFORE CONSTRUCTION BEGINS. IT IS THE INTENT OF THE ENGINEER LISTED ON THESE DOCUMENTS THAT THESE DOCUMENTS BE ACCURATE, PROVIDING LICENSED PROFESSIONALS CLEAR INFORMATION. EVERY ATTEMPT HAS BEEN MADE TO PREVENT ERROR. THE BUILDER AND ALL SUBCONTRACTORS ARE REQUIRED TO REVIEW ALL OF THE INFORMATION CONTAINED IN THESE DOCUMENTS PRIOR TO THE COMMENCEMENT OF ANY WORK. THE ENGINEER IS NOT RESPONSIBLE FOR ANY PLAN ERRORS, OMISSIONS, OR MISINTERPRETATIONS UNDETECTED AND NOT REPORTED TO THE ENGINEER PRIOR TO CONSTRUCTION. ALL CONSTRUCTION MUST BE IN ACCORDANCE TO THE INFORMATION FOUND IN THESE DOCUMENTS.

### DESIGN SPECIFICATIONS:

DESIGN BUILDING CODE (REFERRED TO HEREIN AS 'THE BUILDING CODE'):  
 • 2018 NORTH CAROLINA RESIDENTIAL CODE. WALL BRACING PER INTERNATIONAL RESIDENTIAL CODE 2015 EDITION.

DESIGN LIVE LOADS:  
 • ROOF = 20 PSF (LOAD DURATION FACTOR=1.25)  
 • UNINHABITABLE ATTICS WITH LIMITED STORAGE = 20 PSF (WHERE SPECIFIED ON PLANS)  
 • HABITABLE ATTICS AND ATTICS SERVED WITH FIXED STAIRS = 30 PSF  
 • FLOOR = 40 PSF  
 • FLOOR (SLEEPING AREAS) = 30 PSF  
 • DECK = 40 PSF  
 • BALCONY = 40 PSF  
 • STAIRS = 40 PSF

DESIGN DEAD LOADS:  
 • ROOF TRUSS = 17 PSF (TC=7, BC=10)  
 • FLOOR TRUSS = 15 PSF (TC=10, BC=5)  
 • FLOOR JOIST = 10 PSF  
 • QUEEN ANNE BRICK = 25 PSF

\*NOTE: STRUCTURAL FRAMING HAS NOT BEEN DESIGNED FOR TILE, GRANITE, MARBLE OR OTHER MATERIALS HEAVIER THAN THE ABOVE LOADING UNLESS SPECIFICALLY NOTED ON PLANS.\*.

DESIGN WIND LOADS:  
 • ULTIMATE WIND SPEED = 120 MPH  
 • EXPOSURE CATEGORY = B

ASSUMED SOIL BEARING CAPACITY = 2000 PSF

ASSUMED LATERAL SOIL PRESSURE = 45 PCF

FROST DEPTH = 12"

SEISMIC DESIGN CATEGORY = B

ENGINEERED LUMBER SHALL HAVE THE FOLLOWING MINIMUM DESIGN VALUES:  
 • TJI 210 SERIES (SERIES AND SPACING PER PLANS)  
 • LSL: E=1,550,000 PSI, F<sub>b</sub>=2,325 PSI, F<sub>v</sub>=310 PSI, F<sub>c</sub>=900 PSI  
 • LVL: E=2,000,000 PSI, F<sub>b</sub>=2,600 PSI, F<sub>v</sub>=285 PSI, F<sub>c</sub>=750 PSI  
 • PSL: E=2,100,000 PSI, F<sub>b</sub>=2,900 PSI, F<sub>v</sub>=290 PSI, F<sub>c</sub>=625 PSI

THIS PLAN HAS BEEN DESIGNED PER THE 2018 EDITION OF THE NC RESIDENTIAL CODE. WHERE FRAMING, FOUNDATION, OR OTHER STRUCTURAL ITEMS DO NOT COMPLY WITH THE PRESCRIPTIVE METHODS OF THE CODE, THOSE ITEMS HAVE BEEN DESIGNED IN ACCORDANCE WITH ACCEPTED ENGINEERING PRACTICE PER NCRC R301.1.3.



Cover Sheet  
 Jessamine Model - LH  
 120 M.P.H.  
 Carolina Division

Project #: 105-16010  
 Designed By: KRK  
 Checked By:  
 Issue Date: 4/5/19  
 Re-Issue:  
 Scale: 1/8"=1'-0" @ 11x17  
 1/4"=1'-0" @ 22x34

S-0

**GENERAL STRUCTURAL NOTES:**

- THE DESIGN PROFESSIONAL WHOSE SEAL APPEARS ON THESE DRAWINGS IS THE STRUCTURAL ENGINEER OF RECORD (SER) FOR THIS PROJECT. THE SER BEARS THE RESPONSIBILITY OF THE PRIMARY STRUCTURAL ELEMENTS AND THE PERFORMANCE OF THIS STRUCTURE. NO OTHER PARTY MAY REVISE, ALTER, OR DELETE ANY STRUCTURAL ASPECTS OF THESE CONSTRUCTION DOCUMENTS WITHOUT WRITTEN CONSENT OF KSE ENGINEERING, P.C. OR THE SER. FOR THE PURPOSES OF THESE CONSTRUCTION DOCUMENTS, THE SER AND KSE ENGINEERING SHALL BE CONSIDERED THE SAME ENTITY.
- THE STRUCTURE IS ONLY STABLE IN ITS COMPLETED FORM. THE CONTRACTOR SHALL PROVIDE ALL REQUIRED TEMPORARY BRACING DURING CONSTRUCTION TO STABILIZE THE STRUCTURE.
- THE SER IS NOT RESPONSIBLE FOR CONSTRUCTION SEQUENCES, METHODS, OR TECHNIQUES IN CONNECTION WITH THE CONSTRUCTION OF THIS STRUCTURE. THE SER WILL NOT BE HELD RESPONSIBLE FOR THE CONTRACTOR'S FAILURE TO CONFORM TO THE CONTRACT DOCUMENTS, SHOULD ANY NON-CONFORMITIES OCCUR.
- THE SER DOES NOT CERTIFY DIMENSIONAL ACCURACY OR ARCHITECTURAL LAYOUT INCLUDING ROOF GEOMETRY. THE SER ASSUMES NO LIABILITY FOR CHANGES MADE TO THESE PLANS BY OTHERS, OR FOR CONSTRUCTION METHODS, OR FOR ANY DEVIATION FROM THE PLANS. THE SER SHALL BE NOTIFIED PRIOR TO CONSTRUCTION IF ANY DISCREPANCIES ARE NOTED ON THE PLANS.
- ANY STRUCTURAL ELEMENTS OR DETAILS NOT FULLY DEVELOPED ON THE CONSTRUCTION DRAWINGS SHALL BE COMPLETED UNDER THE DIRECTION OF A LICENSED PROFESSIONAL ENGINEER. THESE SHOP DRAWINGS SHALL BE SUBMITTED TO KSE ENGINEERING FOR REVIEW BEFORE ANY CONSTRUCTION BEGINS. THE SHOP DRAWINGS WILL BE REVIEWED FOR OVERALL COMPLIANCE AS IT RELATES TO THE STRUCTURAL DESIGN OF THIS PROJECT. VERIFICATION OF THE SHOP DRAWINGS FOR DIMENSIONS, OR FOR ACTUAL FIELD CONDITIONS, IS NOT THE RESPONSIBILITY OF THE SER OR KSE ENGINEERING, P.C.
- VERIFICATION OF ASSUMED FIELD CONDITIONS IS NOT THE RESPONSIBILITY OF THE SER. THE CONTRACTOR SHALL VERIFY THE FIELD CONDITIONS FOR ACCURACY AND REPORT ANY DISCREPANCIES TO KSE ENGINEERING, P.C. BEFORE CONSTRUCTION BEGINS.
- THE SER IS NOT RESPONSIBLE FOR ANY SECONDARY STRUCTURAL ELEMENTS OR NON-STRUCTURAL ELEMENTS, EXCEPT FOR THE ELEMENTS SPECIFICALLY NOTED ON THE STRUCTURAL DRAWINGS.
- THIS STRUCTURE AND ALL CONSTRUCTION SHALL CONFORM TO ALL APPLICABLE SECTIONS OF THE BUILDING CODE AND ANY LOCAL CODES OR RESTRICTIONS.
- DO NOT SCALE DRAWINGS. WRITTEN DIMENSIONS TAKE PRECEDENCE OVER SCALED DIMENSIONS. ALL DIMENSIONS ARE TO FACE OF STUD OR TO FACE OF FRAMING UNLESS OTHERWISE NOTED.
- PROVIDE MOISTURE PROTECTION AND FLASHING PER ARCHITECTURAL DETAILS.

**FOUNDATIONS:**

- FOUNDATIONS SHALL BE CONSTRUCTED IN ACCORDANCE WITH CHAPTER 4 OF THE BUILDING CODE.
- CONTRACTOR IS SOLELY RESPONSIBLE FOR VERIFYING THE SUITABILITY OF THE SITE SOIL CONDITIONS AT THE TIME OF CONSTRUCTION. THE BUILDER SHALL FURNISH ANY AND ALL REPORTS RECEIVED FROM THE GEOTECHNICAL ENGINEER ON THE STUDY OF THE PROPOSED SITE TO THE DESIGNER, STRUCTURAL ENGINEER, AND GENERAL CONTRACTOR.
- MAXIMUM DEPTH OF UNBALANCED FILL AGAINST MASONRY WALLS TO BE AS SPECIFIED IN THE BUILDING CODE.
- THE SER HAS NOT PERFORMED A SUBSURFACE INVESTIGATION. VERIFICATION OF THE ASSUMED VALUE IS THE RESPONSIBILITY OF THE OWNER OR THE CONTRACTOR. SHOULD ANY ADVERSE SOIL CONDITION BE ENCOUNTERED, THE SER MUST BE CONTACTED BEFORE PROCEEDING.
- THE BOTTOM OF ALL FOOTINGS SHALL EXTEND BELOW THE FROST LINE FOR THE REGION IN WHICH THE STRUCTURE IS TO BE CONSTRUCTED, BUT NOT LESS THAN A MINIMUM OF 12" BELOW GRADE. ALL FOOTINGS TO HAVE A MINIMUM PROJECTION OF 2" ON EACH SIDE OF FOUNDATION WALLS. MAXIMUM FOOTING PROJECTION SHALL NOT EXCEED THE THICKNESS OF THE FOOTING.
- WOOD SILL PLATES SHALL BE ANCHORED TO THE FOUNDATION WITH 1/2" ANCHOR BOLTS WITH MINIMUM 7" EMBEDMENT, SPACED A MAXIMUM OF 6'-0" O.C. INSTALL MINIMUM 2 ANCHOR BOLTS PER SECTION, 12" MAXIMUM FROM CORNERS. 1/2" DIAMETER x 8" LONG SIMPSON TITEN HD OR USP SCREW-BOLT+ SCREWS MAY BE SUBSTITUTED ON A 1 FOR 1 BASIS.
- ANY FILL SHALL BE PLACED UNDER THE DIRECTION OR RECOMMENDATION OF A LICENSED PROFESSIONAL ENGINEER. THE RESULTING SOIL SHALL BE COMPACTED TO A MINIMUM OF 95% MAXIMUM DRY DENSITY.
- EXCAVATIONS OF FOOTINGS SHALL BE LINED TEMPORARILY WITH A 6 MIL POLYETHYLENE MEMBRANE IF PLACEMENT OF CONCRETE DOES NOT OCCUR WITHIN 24 HOURS OF EXCAVATION.
- NO CONCRETE SHALL BE PLACED AGAINST ANY SUBGRADE CONTAINING WATER, ICE, FROST, OR LOOSE MATERIAL.
- PROVIDE FOUNDATION WATERPROOFING AND DRAIN WITH POSITIVE SLOPE TO OUTLET AS REQUIRED BY SITE CONDITIONS (SEE ARCHITECTURAL PLANS AND DETAILS).
- NONE OF THE FOUNDATION DESIGNS IN THESE DOCUMENTS ARE SUITABLE FOR INSTALLATION IN SHRINK/SWELL CONDITIONS. REFER TO GEOTECHNICAL ENGINEER FOR APPROPRIATE DESIGN.
- LOTS SHALL BE GRADED TO DRAIN SURFACE WATER AWAY FROM FOUNDATION WALLS. THE GRADE SHALL FALL A MINIMUM OF 6 INCHES WITHIN THE FIRST TEN FEET.
- CRAWL SPACE TO BE GRADED LEVEL AND CLEAR OF ALL DEBRIS.
- PROVIDE MINIMUM 6 MIL APPROVED VAPOR BARRIER. ALL JOINTS TO BE LAPPED MINIMUM 12" AND SEALED.

**CONCRETE & REINFORCING**

- CONCRETE DESIGN BASED ON ACI 318 AND ACI 318.1 OR ACI 332. CONCRETE SHALL HAVE A NORMAL WEIGHT AGGREGATE AND A MINIMUM COMPRESSIVE STRENGTH (f'c) = 3,000 PSI MINIMUM AT 28 DAYS PER CODE (VARIES W/ WEATHER), UNLESS OTHERWISE NOTED ON THE PLAN.
- CONCRETE SHALL BE PROPORTIONED, MIXED, AND PLACED IN ACCORDANCE WITH THE LATEST EDITIONS OF ACI 318: "BUILDING CODE REQUIREMENTS FOR REINFORCED CONCRETE" AND ACI 301: "SPECIFICATIONS FOR STRUCTURAL CONCRETE FOR BUILDINGS".
- AIR ENTRAINMENT CONCRETE MUST BE USED FOR ALL STRUCTURAL ELEMENTS EXPOSED TO FREEZE/THAW CYCLES AND DEICING CHEMICALS. AIR ENTRAINMENT AMOUNTS (IN PERCENT) SHALL BE WITHIN -1% TO +2% OF 5% FOR FOOTINGS AND EXTERIOR SLABS.
- NO ADMIXTURES SHALL BE ADDED TO ANY STRUCTURAL CONCRETE WITHOUT WRITTEN PERMISSION OF THE SER. WATER ADDED TO CONCRETE ON SITE SHALL NOT EXCEED THAT ALLOWED BY THE MIX DESIGN.
- CONCRETE SLABS-ON-GRADE SHALL BE CONSTRUCTED IN ACCORDANCE WITH ACI 302.1R: "GUIDE FOR CONCRETE SLAB AND SLAB CONSTRUCTION".
- CONTROL OR SAW CUT JOINTS (CUT OR TOOLED) SHALL BE SPACED IN INTERIOR SLABS-ON-GRADE AT A MAXIMUM OF 15'-0" O.C. AND IN EXTERIOR SLABS-ON-GRADE AT A MAXIMUM OF 10'-0" UNLESS OTHERWISE NOTED. CARE SHALL BE TAKEN TO AVOID RE-ENTRANT CORNERS.
- CONTROL OR SAW CUT JOINTS SHALL BE PRODUCED USING CONVENTIONAL CUT OR TOOLED PROCESSES WITHIN 4 TO 12 HOURS AFTER THE SLAB HAS BEEN FINISHED.
- ALL WELDED WIRE FABRIC (W.W.F.) FOR CONCRETE SLABS-ON-GRADE SHALL BE PLACED AT MID-DEPTH OF SLAB. THE W.W.F. SHALL BE SECURELY SUPPORTED DURING THE CONCRETE POUR. FIBROUS CONCRETE REINFORCEMENT, OR POLYPROPYLENE FIBERS MAY BE USED IN LIEU OF W.W.F. APPLICATION OF POLYPROPYLENE FIBERS PER CUBIC YARD OF CONCRETE SHALL BE PER MANUFACTURER AND COMPLY WITH ASTM C1116, ANY LOCAL BUILDING CODE REQUIREMENTS AND SHALL MEET OR EXCEED CURRENT INDUSTRY STANDARD.
- POLYPROPYLENE REINFORCING TO BE 100% VIRGIN, CONTAINING NO REPROCESSED OLEFIN MATERIALS AND SPECIFICALLY MANUFACTURED FOR USE AS CONCRETE SECONDARY REINFORCEMENT.
- STEEL REINFORCING BARS SHALL BE NEW BILLET STEEL CONFORMING TO ASTM A615, GRADE 60.
- DETAILING, FABRICATION, AND PLACEMENT OF REINFORCING STEEL SHALL BE IN ACCORDANCE WITH THE LATEST EDITION OF ACI 315: "MANUAL OF STANDARD PRACTICE FOR DETAILING CONCRETE STRUCTURES".
- HORIZONTAL FOOTING AND WALL REINFORCEMENT SHALL BE CONTINUOUS AND SHALL HAVE 90° BENDS, OR CORNER BARS WITH THE SAME SIZE/SPACING AS THE HORIZONTAL REINFORCEMENT.
- PROVIDE REINFORCEMENT LAP AS NOTED BELOW, UNLESS NOTED OTHERWISE:  
#4 BARS - 30" LENGTH  
#5 BARS - 38" LENGTH  
#6 BARS - 45" LENGTH
- WHERE REINFORCING DOWELS ARE REQUIRED, THEY SHALL BE EQUIVALENT IN SIZE AND SPACING TO THE VERTICAL REINFORCEMENT. THE DOWEL SHALL EXTEND 48 BAR DIAMETERS VERTICALLY AND 20 BAR DIAMETERS INTO THE FOOTING. SEE KSE FOUNDATION DETAILS.
- WHERE FOOTING BOTTOMS ARE TO BE STEPPED AT SLOPING GRADE CONDITIONS, PROVIDE CONTINUOUS REINFORCING WITH Z BARS (TO MATCH FOOTING REINFORCING) AS REQUIRED.
- BAR SUPPORT ACCESSORIES SHALL BE PROVIDED IN ACCORDANCE WITH THE LATEST ACI MANUAL OF STANDARD PRACTICE FOR DETAILING REINFORCED CONCRETE STRUCTURES, EXCEPT THAT REINFORCING SHALL BE CHAIRCED ON THE BOTTOM AND/OR THE SIDES ON BOLSTERS SPACED NOT MORE THAN 4 FEET ON CENTER. NO ROCKS, CMU, CLAY TILE, OR BRICK SHALL BE USED TO SUPPORT REINFORCING.
- FOR GRADE SUPPORTED SLABS, SLAB REINFORCING SHALL BE HELD IN PLACE BY BAR SUPPORTS AND ACCESSORIES AS DESCRIBED IN THE CRSI MANUAL OF STANDARD PRACTICE. BAR SUPPORTS SHALL BE SPACED A MAXIMUM OF 4'-0" O.C. BOTH WAYS IN STRAIGHT LINES ON THE MESH GRID.

**MASONRY**

- ALL MASONRY SHALL CONFORM TO ASTM C-90, Fm=1500 PSI. ALL BRICK SHALL CONFORM TO ASTM C-216, Fm=1500 PSI. ALL MORTAR SHALL BE TYPE 'S' (TYPE 'M' BELOW GRADE) AND CONFORM TO ASTM C-270. COARSE GROUT SHALL CONFORM TO ASTM C-476 WITH A MAXIMUM AGGREGATE SIZE OF 3/8" AND A MINIMUM COMPRESSIVE STRENGTH OF 2,000 PSI.
- ALL MASONRY WORK SHALL BE IN ACCORDANCE WITH "BUILDING CODE REQUIREMENTS FOR MASONRY STRUCTURES" ACI 530/ASCE 5/TMS 402 AND "SPECIFICATIONS FOR MASONRY STRUCTURES" ACI 530.1/ ASCE 6/TMS 602.
- THE UNSUPPORTED HEIGHT OF SOLID MASONRY PIERS SHALL NOT EXCEED TEN TIMES THEIR LEAST DIMENSION. UNFILLED HOLLOW PIERS MAY BE USED IF THE UNSUPPORTED HEIGHT IS NOT MORE THAN FOUR TIMES THEIR LEAST DIMENSION.
- EACH CRAWL SPACE PIER SHALL BEAR IN THE MIDDLE THIRD OF ITS RESPECTIVE FOOTING AND EACH GIRDER SHALL BEAR IN THE MIDDLE THIRD OF THE PIERS. PILASTERS TO BE BONDED TO PERIMETER FOUNDATION WALL.
- TOP COURSE OF MASONRY SHALL BE GROUTED SOLID.
- HORIZONTAL WALL JOINT REINFORCEMENT SHALL BE STANDARD 9 GAGE GALVANIZED LADDER OR TRUSS TYPE SPACED AT 16" O.C., UNLESS SHOWN OTHERWISE ON THE DRAWINGS.
- SPLICED WIRE REINFORCEMENT SHALL BE LAPPED AT LEAST 6" AND CONTAIN AT LEAST ONE CROSS WIRE OF EACH PIECE OF REINFORCEMENT WITHIN THE 6". LAP WITH STANDARD 'T' AND 'L' SHAPED PIECES AT INTERSECTIONS AND CORNERS.

**WOOD FRAMING:**

- SOLID SAWN WOOD FRAMING MEMBERS SHALL CONFORM TO THE SPECIFICATIONS LISTED IN THE LATEST EDITION OF THE "NATIONAL DESIGN SPECIFICATION FOR WOOD CONSTRUCTION": (NDS). UNLESS OTHERWISE NOTED, ALL WOOD FRAMING MEMBERS ARE DESIGNED TO BE: SPRUCE-PINE-FIR (SPF) WITH THE FOLLOWING MINIMUM DESIGN VALUES:  
E=1,400,000 PSI, Fb=875 PSI, Fv=135 PSI  
1.1. FRAMING: SPF #2.  
1.2. PLATES: SPF #2.  
1.3. STUDS: SPF STUD GRADE.
- WALL STUD SPACING, (MAXIMUM 10' NOMINAL PLATE HEIGHT):  
1 & 2 STORY EXTERIOR AND INTERIOR BEARING:  
2x4 @ 16" O.C. OR 2x6 @ 24" O.C., U.N.O.  
BOTTOM OF 3 STORIES EXTERIOR AND INTERIOR BEARING:  
2x6 @ 16" O.C., U.N.O.  
INTERIOR NON-BEARING:  
2x @ 24" O.C., U.N.O.
- ALL LUMBER EXPOSED TO WEATHER OR IN CONTACT WITH CONCRETE SHALL BE PRESERVATIVE TREATED SOUTHERN YELLOW PINE #2 OR BETTER.
- ANCHOR SILL PLATES IN ACCORDANCE W/ GENERAL STRUCTURAL NOTES.
- ALL BEAMS SPECIFIED ARE MINIMUM SIZES ONLY. LARGER MEMBERS MAY BE SUBSTITUTED AS NEEDED FOR EASE OF CONSTRUCTION.
- NAILS SHALL BE COMMON WIRE NAILS UNLESS OTHERWISE NOTED.
- BOLT HOLES AND LEAD HOLES FOR LAG SCREWS SHALL BE IN ACCORDANCE WITH NDS SPECIFICATIONS.
- INDIVIDUAL STUDS FORMING A COLUMN SHALL BE ATTACHED WITH (2) ROWS 10d NAILS @ 6" O.C. STAGGERED. THE STUD COLUMN SHALL BE FULLY BLOCKED AT ALL FLOOR LEVELS TO ENSURE PROPER LOAD TRANSFER. WALL SHEATHING SHALL BE NAILED TO EDGE OF EACH STUD.
- FACE NAIL ALL MULTI-PLY BEAMS AND HEADERS WITH (2) ROWS 16d COMMON NAILS @ 16" O.C., STAGGERED, OR PER MANUFACTURER'S SPECIFICATIONS FOR ENGINEERED LUMBER. APPLY NAILING FROM BOTH FACES FOR (3) OR MORE PILES.
- FASTEN 4-PLY BEAMS WITH (1) 1/2" DIAMETER THROUGH BOLT W/ NUTS AND WASHERS AT 12" O.C. STAGGERED TOP AND BOTTOM, 1/2" MINIMUM EDGE DISTANCE. (UNLESS OTHERWISE NOTED)
- ALL BEAMS AND HEADERS SHALL HAVE (1)2x JACK STUD & (1)2x KING STUD UNLESS OTHERWISE NOTED. THE NUMBER OF STUDS INDICATED ON PLANS ARE THE TOTAL NUMBER OF JACK STUDS REQUIRED, UNLESS OTHERWISE NOTED.
- PROVIDE KING STUDS AT EACH END OF HEADERS AS NOTED BELOW.  
(1) STUD UP TO 6' OPENING  
(2) STUDS UP TO 8' OPENING  
(3) STUDS UP TO 9' OPENING
- ALL BEAMS TO BE CONTINUOUSLY SUPPORTED Laterally AND SHALL BEAR FULL WIDTH ON THE SUPPORTING WALLS OR COLUMNS INDICATED WITH A MINIMUM OF TWO STUDS, UNLESS OTHERWISE NOTED. ALL BEAM SPLICES SHALL OCCUR OVER SUPPORTS.
- SOLID BLOCKING TO BE PROVIDED AT ALL POINT LOADS THROUGH FLOOR LEVELS TO THE FOUNDATION OR TO OTHER STRUCTURAL COMPONENTS.
- ALL LUMBER SPECIFIED ON DRAWINGS IS INTENDED FOR DRY USE ONLY (MOISTURE CONTENT <19%) UNLESS OTHERWISE NOTED.
- ALL WATERPROOFING AND FIRE SAFETY SYSTEMS ARE THE RESPONSIBILITY OF THE CONTRACTOR AND ARE TO BE DESIGNED AND DETAILED BY OTHERS.
- ANY WOOD FRAME INTERIOR BEARING WALL STUDS THAT HAVE HOLES IN THE CENTER OF THE STUD UP TO 1" IN DIAMETER SHALL HAVE STUD PROTECTION SHIELDS. ALL HOLES OVER 1" IN DIAMETER FOR PLUMBING LINES, ETC. SHALL BE REPAIRED WITH SIMPSON HSS2 OR USP STS1 STUD SHOES, TYPICAL, UNLESS OTHERWISE NOTED.
- BEARING WALLS SHALL BE SHEATHED ON NOT LESS THAN ONE SIDE WITH OSB OR GYPSUM BOARD. BRIDGING SHALL BE INSTALLED NOT GREATER THAN 4 FEET APART MEASURED VERTICALLY FROM EITHER END OF THE STUD IN LIEU OF SHEATHING.
- DIAGONAL BRACING SHALL BE INSTALLED AT EACH END OF BASEMENT BEARING WALLS AND NOT MORE THAN 20' ON CENTER.

**EXTERIOR WOOD FRAMED DECKS:**

- DECKS ARE TO BE FRAMED IN ACCORDANCE WITH APPLICABLE BUILDING CODES AND AS REFERENCED ON THE STRUCTURAL PLANS, EITHER THROUGH CODE REFERENCES OR CONSTRUCTION DETAILS.
- PRESERVATIVE TREATED WOOD FRAMING TO BE SOUTHERN YELLOW PINE #2 OR BETTER.
- GUARD RAILS REQUIRED AT DECKS. DESIGN BY OTHERS TO MEET MINIMUM CODE REQUIREMENTS.
- PROVIDE DECK LATERAL LOAD AND BRACING CONNECTIONS PER BUILDING CODE.

**RAFTER FRAMED ROOF CONSTRUCTION:**

- PROVIDE 2x4x4'-0" RAFTER TIES AT 48" O.C.
- RAFTERS SHALL BE SUPPORTED BY PURLINS AND PURLIN BRACES AS SHOWN ON THE PLAN. PURLIN BRACES SHALL NOT BEAR ON ANY CEILING JOIST, STRONGBACK OR HEADER UNLESS SPECIFICALLY SHOWN ON PLAN. RAFTERS MAY BE SPLICED AT PURLIN LOCATIONS.
- CEILING JOISTS SHALL HAVE LATERAL SUPPORT W/ 1x4 FLAT BRACING ON TOP EDGE OF JOIST AT LOOSE JOIST ENDS (WHERE JOISTS NOT FASTENED TO RAFTERS) OR FULL DEPTH BLOCKING. FASTEN END OF BRACING TO RAFTER OR GABLE END FRAMING.
- FASTEN RAFTER AND CEILING JOIST WITH (6) 12d NAILS UNLESS OTHERWISE NOTED.
- PROVIDE VERTICAL 2x6 STRONGBACKS AT CEILING JOISTS @ 8'-0" O.C. TIE STRONGBACK ENDS TO GABLE STUDS OR RAFTERS WHERE POSSIBLE. PROVIDE BLOCKING BETWEEN TOP PLATES AND STRONGBACKS. PROVIDE 2x4 FLAT FASTENED TO EACH JOIST WITH (2) 12d NAILS. FASTEN STRONGBACK TO 2x4 FLAT WITH 12d NAILS @ 12" O.C. AND FASTENED TO EACH JOIST WITH (1) 12d TOENAIL.

**WOOD TRUSSES (FLOOR & ROOF):**

- THE WOOD TRUSS MANUFACTURER/FABRICATOR IS RESPONSIBLE FOR THE DESIGN OF THE WOOD TRUSSES. SUBMIT SEALED SHOP DRAWINGS AND SUPPORTING CALCULATIONS TO THE SER FOR REVIEW PRIOR TO FABRICATION. THE SER SHALL HAVE A MINIMUM OF (5) DAYS FOR REVIEW. THE REVIEW BY THE SER SHALL BE FOR OVERALL COMPLIANCE OF THE DESIGN DOCUMENTS. THE SER SHALL ASSUME NO RESPONSIBILITY FOR THE CORRECTNESS OF THE STRUCTURAL DESIGN FOR THE WOOD TRUSSES.
- THE WOOD TRUSSES SHALL BE DESIGNED FOR ALL REQUIRED LOADINGS AS SPECIFIED IN THE LOCAL BUILDING CODE, THE ASCE STANDARD "MINIMUM DESIGN LOADS FOR BUILDINGS AND OTHER STRUCTURES." (ASCE 7), AND THE LOADING REQUIREMENTS SHOWN ON THESE SPECIFICATIONS. THE TRUSS DRAWINGS SHALL BE COORDINATED WITH ALL OTHER CONSTRUCTION DOCUMENTS AND PROVISIONS PROVIDED FOR LOADS SHOWN ON THESE DRAWINGS INCLUDING BUT NOT LIMITED TO HVAC EQUIPMENT, PIPING, AND ARCHITECTURAL FIXTURES ATTACHED TO THE TRUSSES.
- THE TRUSSES SHALL BE DESIGNED, FABRICATED, AND ERECTED IN ACCORDANCE WITH THE LATEST EDITION OF THE ANSI/TPI 1: "NATIONAL DESIGN STANDARD FOR METAL PLATE CONNECTED WOOD TRUSS CONSTRUCTION".
- THE TRUSS MANUFACTURER SHALL PROVIDE ADEQUATE BRACING INFORMATION IN ACCORDANCE WITH "BUILDING COMPONENT SAFETY INFORMATION GUIDE TO GOOD PRACTICE FOR HANDLING, INSTALLING, RESTRAINING & BRACING OF METAL PLATE CONNECTED WOOD TRUSSES" (BCSI). THIS BRACING, BOTH TEMPORARY AND PERMANENT, SHALL BE SHOWN ON THE SHOP DRAWINGS. ALSO, THE SHOP DRAWINGS SHALL SHOW THE REQUIRED ATTACHMENTS FOR THE TRUSSES.
- THE CONTRACTOR IS RESPONSIBLE FOR INSTALLING TEMPORARY BRACING AND SHORING FOR THE FLOOR AND ROOF TRUSSES AS REQUIRED DURING CONSTRUCTION. AT A MINIMUM, CONTRACTOR SHALL FOLLOW THE REQUIREMENTS OF THE LATEST BCSI. THE CONTRACTOR SHALL KEEP A COPY OF THE BCSI SUMMARY SHEETS ON SITE.
- THE CONTRACTOR IS RESPONSIBLE FOR INSTALLING ALL PERMANENT TRUSS BRACING SHOWN IN THE STRUCTURAL DRAWINGS AND IN THE TRUSS DESIGNS. ALL CONTINUOUS LATERAL BRACING OF WEBS REQUIRES BRACES. REFER TO BCSI SUMMARY SHEET B3 FOR TYPES OF DIAGONAL BRACES TO PROVIDE AT EACH CONTINUOUS LATERAL BRACE LINE. SUCH DIAGONAL BRACES SHALL NOT BE SPACED MORE THAN 20 FEET O.C. DIAGONAL BRACES SHALL BE FASTENED TO EACH TRUSS WEB WITH A MINIMUM OF TWO 10d FACE NAILS. WHERE CONTINUOUS LATERAL BRACING CANNOT BE INSTALLED, DUE TO A MINIMUM OF THREE ADJACENT TRUSSES NOT BEING IDENTICAL, THE CONTRACTOR SHALL COORDINATE WITH THE TRUSS SPECIALTY ENGINEER/MANUFACTURER TO DETERMINE WHAT TYPE OF ALTERNATE BRACE (I.E., T OR L BRACE, ETC.) IS REQUIRED.
- ANY CHORDS OR TRUSS WEBS SHOWN ON THESE DRAWINGS HAVE BEEN SHOWN AS A REFERENCE ONLY. THE FINAL DESIGN OF THE TRUSSES SHALL BE PER THE MANUFACTURER.
- TRUSS LAYOUT AND PLACEMENT BY MANUFACTURER TO COINCIDE WITH THE SUPPORT LOCATIONS SHOWN ON THE SEALED STRUCTURAL DRAWINGS. TRUSS PROFILES TO BE SEALED BY THE TRUSS MANUFACTURER. TRUSS PLANS TO BE COORDINATED WITH THE SEALED STRUCTURAL DRAWINGS.
- TRUSS MANUFACTURER TO PROVIDE REQUIRED UPLIFT CONNECTORS FOR ALL TRUSSES.
- PROVIDE SIMPSON H2.5A, USP RT7 OR EQUIVALENT AT EACH TRUSS TO TOP PLATE CONNECTION, UNLESS OTHERWISE NOTED.

**WOOD STRUCTURAL PANELS:**

- FABRICATION AND PLACEMENT OF STRUCTURAL WOOD SHEATHING SHALL BE IN ACCORDANCE WITH THE APA DESIGN/CONSTRUCTION GUIDE "RESIDENTIAL AND COMMERCIAL," AND ALL OTHER APPLICABLE APA STANDARDS.
- ALL REQUIRED WOOD SHEATHING SHALL BEAR THE MARK OF THE APA.
- WOOD WALL SHEATHING SHALL COMPLY WITH THE REQUIREMENTS OF LOCAL BUILDING CODES FOR THE APPROPRIATE STATE AS INDICATED ON THESE DRAWINGS. REFER TO WALL BRACING NOTES IN PLAN SET FOR MORE INFORMATION. EXTERIOR WALLS TO BE FULLY SHEATHED USING 3/8" OSB OR PLYWOOD MINIMUM. AT BRACED WALL PANELS, PROVIDE BLOCKING AT ALL SHEET EDGES NOT FALLING ON STUDS OR PLATES.
- ROOF SHEATHING SHALL BE APA RATED SHEATHING EXPOSURE 1 OR 2. ROOF SHEATHING SHALL BE CONTINUOUS OVER TWO SUPPORTS MINIMUM AND ATTACHED TO ITS SUPPORTING ROOF FRAMING WITH 8d NAILS AT 6" O.C. AT PANEL EDGES AND AT 12" O.C. IN PANEL FIELD UNLESS OTHERWISE NOTED ON THE PLANS. SHEATHING SHALL BE APPLIED WITH THE LONG DIRECTION PERPENDICULAR TO FRAMING. SHEATHING SHALL HAVE A SPAN RATING CONSISTENT WITH THE FRAMING SPACING. PROVIDE SUITABLE EDGE SUPPORT BY USE OF PLYWOOD CLIPS OR LUMBER BLOCKING UNLESS OTHERWISE NOTED. PANEL END JOINTS SHALL OCCUR OVER FRAMING. ROOF SHEATHING TO BE 3/8" OSB MINIMUM.
- WOOD FLOOR SHEATHING SHALL BE APA RATED SHEATHING EXPOSURE 1 OR 2. ATTACH SHEATHING TO ITS SUPPORTING FRAMING WITH (1) 10d NAIL AT 6" O.C. AT PANEL EDGES AND AT 12" O.C. IN PANEL FIELD UNLESS OTHERWISE NOTED ON THE PLANS. SHEATHING SHALL BE APPLIED PERPENDICULAR TO FRAMING. SHEATHING SHALL HAVE A SPAN RATING CONSISTENT WITH THE FRAMING SPACING. PROVIDE SUITABLE EDGE SUPPORT BY USE OF T&G PLYWOOD OR LUMBER BLOCKING UNLESS OTHERWISE NOTED. PANEL END JOINTS SHALL OCCUR OVER FRAMING.
- SHEATHING SHALL HAVE A 1/8" GAP AT PANEL ENDS AND EDGES AS RECOMMENDED IN ACCORDANCE WITH THE APA.

**STRUCTURAL FIBERBOARD PANELS:**

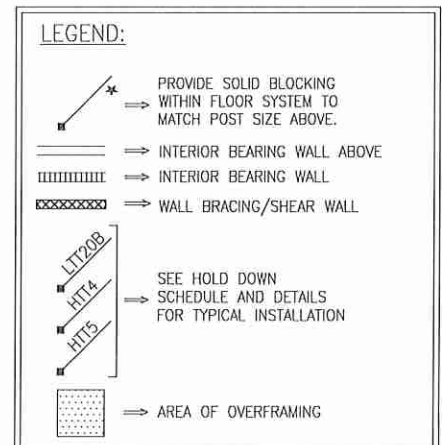
- STRUCTURAL FIBERBOARD SHEATHING SHALL ONLY BE USED WHERE SPECIFICALLY NOTED ON THE STRUCTURAL PLANS.
- FABRICATION AND PLACEMENT OF STRUCTURAL FIBERBOARD SHEATHING SHALL BE IN ACCORDANCE WITH THE APPLICABLE AFA STANDARDS.
- FIBERBOARD WALL SHEATHING SHALL COMPLY WITH THE REQUIREMENTS OF LOCAL BUILDING CODES FOR THE APPROPRIATE STATE AS INDICATED ON THESE DRAWINGS. REFER TO WALL BRACING NOTES IN PLAN SET FOR MORE INFORMATION.
- SHEATHING SHALL HAVE A 1/8" GAP AT PANEL ENDS AND EDGES AS RECOMMENDED IN ACCORDANCE WITH THE AFA.

**STRUCTURAL STEEL:**

- STRUCTURAL STEEL SHALL BE FABRICATED AND ERECTED IN ACCORDANCE WITH THE AMERICAN INSTITUTE OF STEEL CONSTRUCTION "CODE OF STANDARD PRACTICE FOR STEEL BUILDINGS AND BRIDGES" AND OF THE MANUAL OF STEEL CONSTRUCTION "LOAD RESISTANCE FACTOR DESIGN" LATEST EDITIONS.
- ALL STEEL SHALL HAVE A MINIMUM YIELD STRESS (Fy) OF 50 KSI UNLESS OTHERWISE NOTED.
- WELDING SHALL CONFORM TO THE LATEST EDITION OF THE AMERICAN WELDING SOCIETY'S STRUCTURAL WELDING CODE AWA D1.1. ELECTRODES FOR SHOP AND FIELDING WELDING SHALL BE CLASS E70XX. ALL WELDING SHALL BE PERFORMED BY A CERTIFIED WELDER PER THE ABOVE STANDARDS.
- ALL STEEL BEAMS TO BE SUPPORTED AT EACH END WITH A MINIMUM BEARING LENGTH OF 3/8" AND FULL FLANGE WIDTH UNLESS OTHERWISE NOTED. BEAMS MUST BE ATTACHED AT EACH END WITH A MINIMUM OF FOUR 16d NAILS OR (2) 1/2" x 4" LAG SCREWS UNLESS OTHERWISE NOTED.
- INSTALL 2x WOOD PLATE ON TOP OF STEEL BEAMS, RIPPED TO MATCH BEAM WIDTH. FASTEN PLATE TO BEAM W/ HILTI X-DNI 52 P8 PINS AT 12" O.C. STAGGERED OR 1/2" DIAMETER BOLTS AT 24" O.C.

**MECHANICAL FASTENERS:**

- ALL METAL HARDWARE AND FASTENERS TO BE SIMPSON STRONG-TIE OR APPROVED EQUIVALENT.
- ALL HARDWARE AND FASTENERS IN CONTACT WITH PRESERVATIVE PRESSURE TREATED LUMBER SHALL BE HOT DIPPED GALVANIZED IN ACCORDANCE WITH ASTM A 153, G-185.
- MANY OF THE NEW PRESURE TREATED WOODS USE CHEMICALS THAT ARE CORROSIVE TO STEEL. IT IS THE CONTRACTOR'S RESPONSIBILITY TO VERIFY THE TYPE OF WOOD TREATMENT AND SELECT APPROPRIATE CONNECTORS THAT WILL RESIST THE APPLICABLE CORROSIVE CHEMICALS.



BRICK VENEER LINTEL SCHEDULE		
SPAN	LINTEL SIZE	END BEARING
UP TO 3'-0"	3 1/2" x 3 1/2" x 1/4"	4"
UP TO 6'-3"	5" x 3 1/2" x 3/16" L.L.V.	8"
UP TO 9'-6"	6" x 3 1/2" x 3/16" L.L.V.	12"

LINTELS ARE NOT DESIGNED TO BE BOLTED TO HEADERS UNLESS SPECIFIED ON UNIT PLANS.  
SPANS OVER 4'-0" SHALL BE SHORED UP UNTIL CURED.

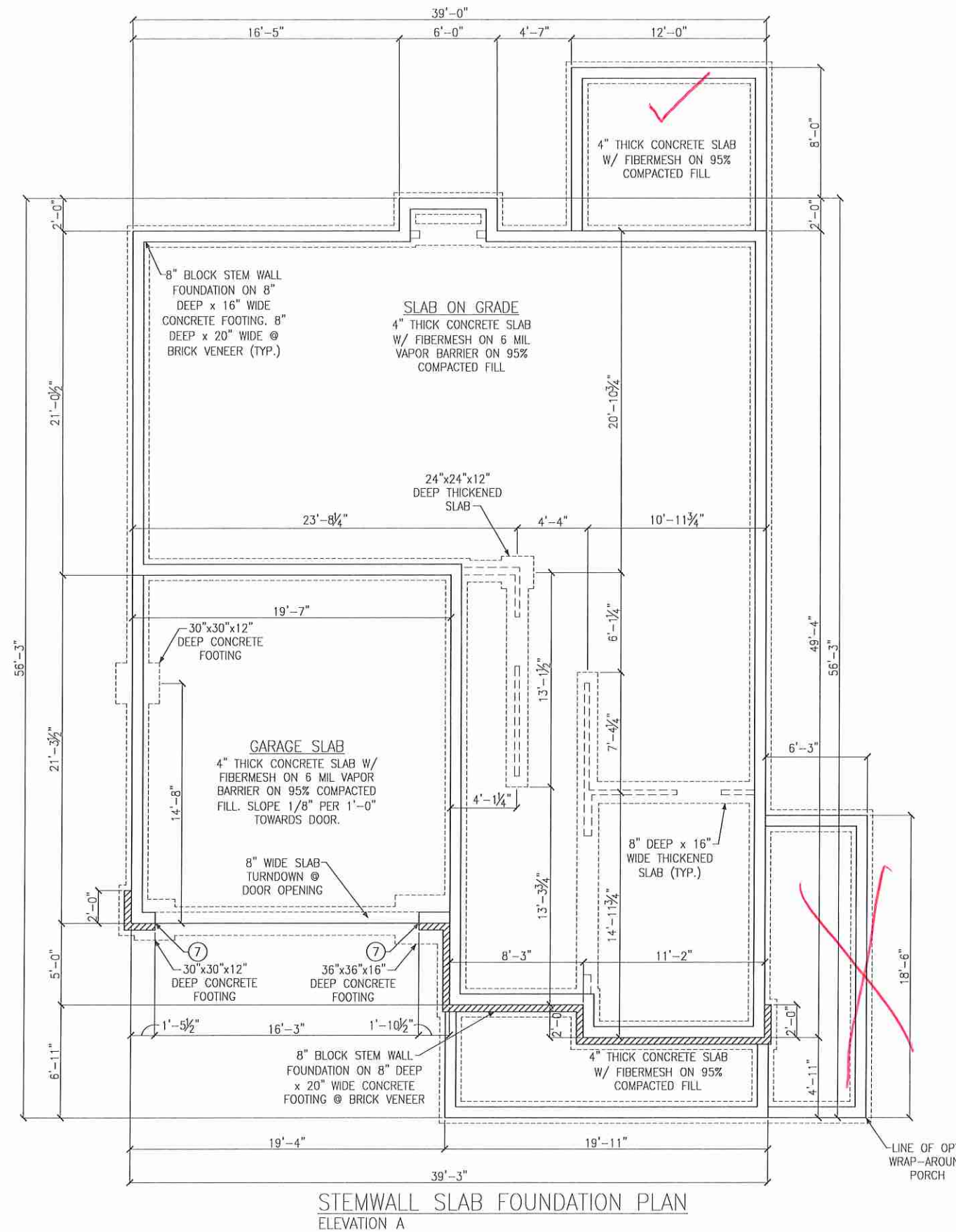
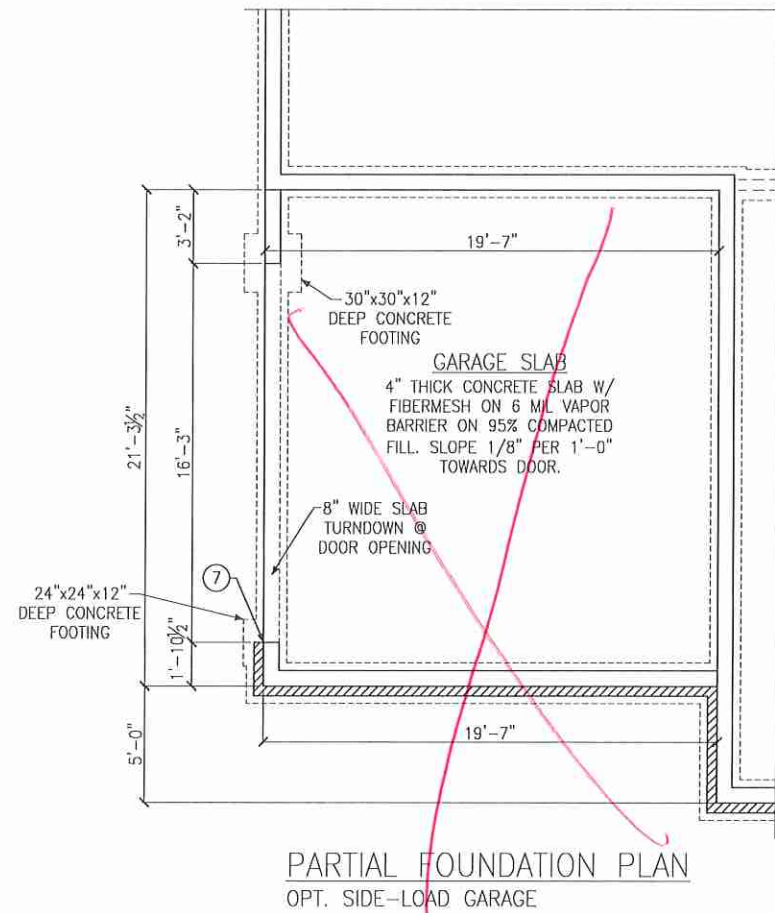
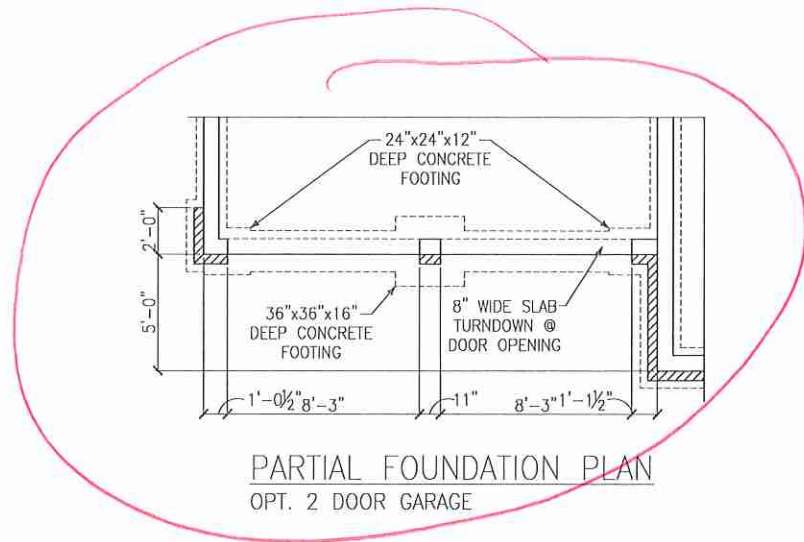


General Structural Notes

120 M.P.H.  
Carolina Division

Project #: 105-19000  
Designed By: KKR  
Checked By:  
Issue Date: 1/1/19  
Re-Issue:  
Scale: 1/8"=1'-0" @ 11x17  
1/4"=1'-0" @ 22x34

S-0.1



**LEGEND**

- PROVIDE SOLID BLOCKING WITHIN FLOOR SYSTEM TO MATCH POST SIZE ABOVE.
- BEARING WALL ABOVE
- INTERIOR BEARING WALL
- BRACED WALL PANEL (SEE KSE STRUCTURAL DETAIL SHEETS FOR BRACED WALL PANEL SHEATHING FASTENING & BLOCKING DETAILS)
- LOCATION OF DOOR ABOVE

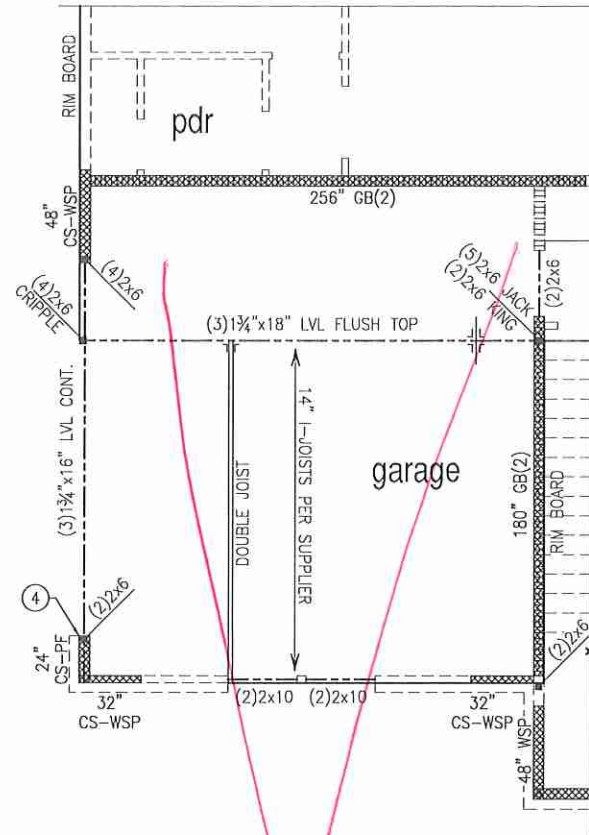
REFER TO KSE STRUCTURAL DETAILS SHEETS FOR GENERAL STRUCTURAL NOTES AND TYPICAL DETAILS

**KEYNOTES:**

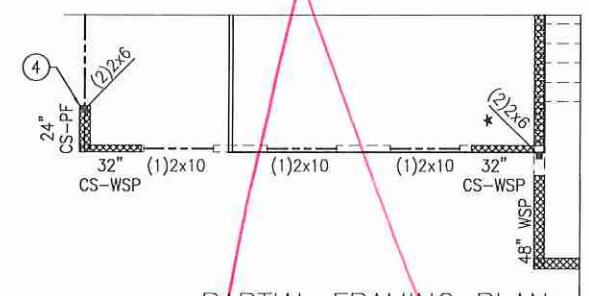
⑦ REINFORCE 8" CMU WALL AND FOOTING UNDER PORTAL FRAME PER DETAIL A OR B/SD-4.



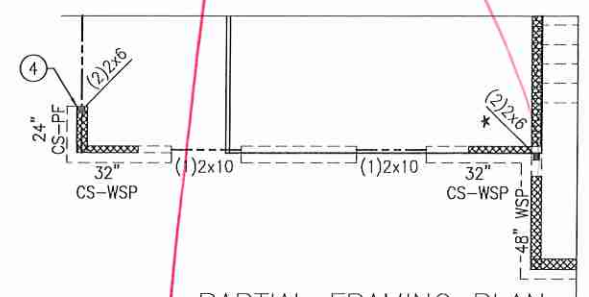




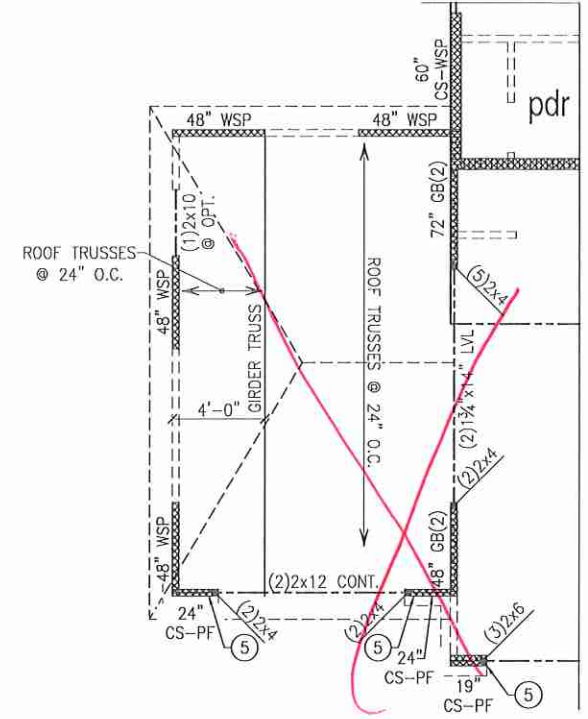
PARTIAL FRAMING PLAN  
OPT. SIDE-LOAD GARAGE  
ELEVATION A



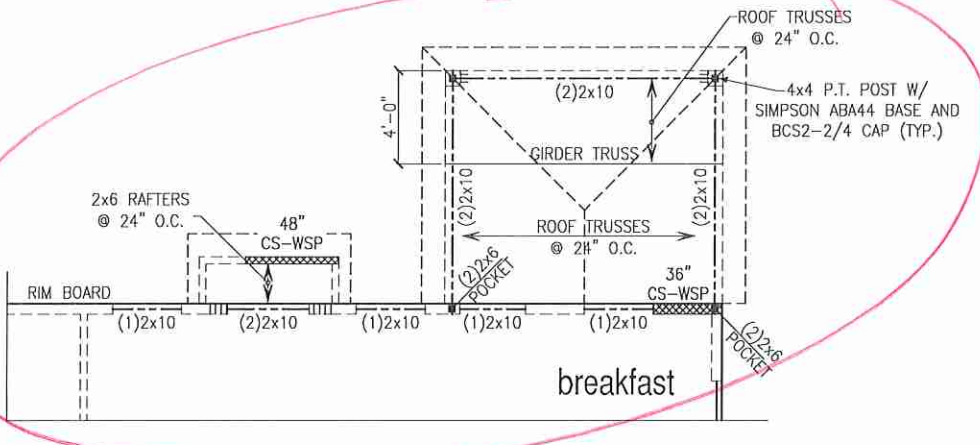
PARTIAL FRAMING PLAN  
OPT. SIDE-LOAD GARAGE  
ELEVATION B



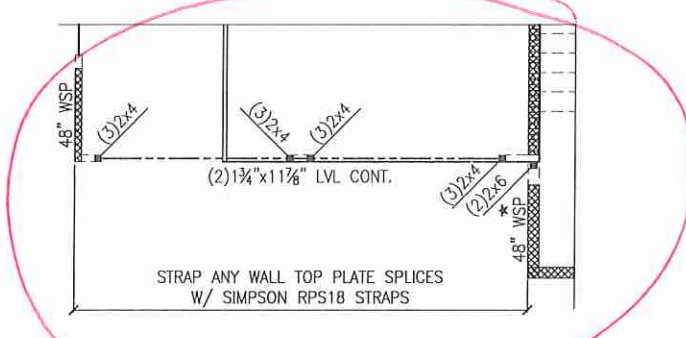
PARTIAL FRAMING PLAN  
OPT. SIDE-LOAD GARAGE  
ELEVATION B



PARTIAL FRAMING PLAN  
OPT. 3-CAR GARAGE FRONT LOAD



PARTIAL FRAMING PLAN  
OPT. COVERED PATIO



PARTIAL FRAMING PLAN  
OPT. 2 DOOR GARAGE

**LEGEND**

- ★ → PROVIDE SOLID BLOCKING WITHIN FLOOR SYSTEM TO MATCH POST SIZE ABOVE.
- → BEARING WALL ABOVE
- ||||| → INTERIOR BEARING WALL
- → BRACED WALL PANEL (SEE KSE STRUCTURAL DETAIL SHEETS FOR BRACED WALL PANEL SHEATHING FASTENING & BLOCKING DETAILS)

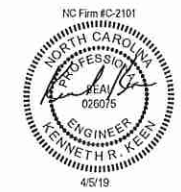
REFER TO KSE STRUCTURAL DETAILS SHEETS FOR GENERAL STRUCTURAL NOTES AND TYPICAL DETAILS

PLAN DESIGNED WITH 9" WALL PLATES

FLOOR FRAMING TO BE 14" DEEP TJI 110 SERIES OR EQUAL, SPACING PER MANUFACTURER.

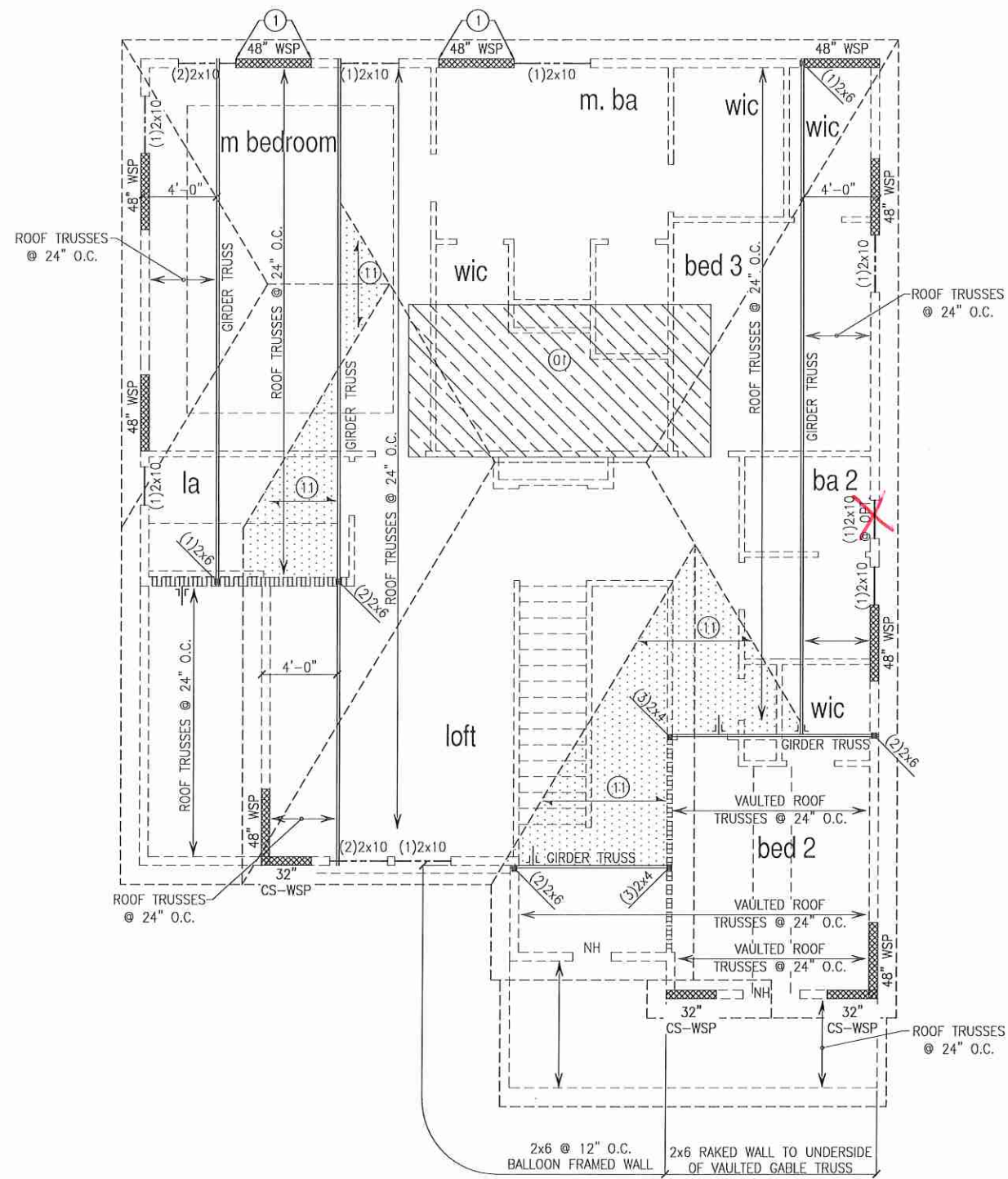
**KEYNOTES:**

- ④ INSTALL ONE PANEL CS-PF PORTAL FRAME PER DETAIL A OR B/SD-4.
- ⑤ INSTALL TWO PANEL CS-PF PORTAL FRAME PER DETAIL A OR B/SD-4.



Second Floor Framing Plans  
Options  
Jessamine Model - LH  
120 M.P.H.  
Carolina Division

Project #: 105-16010  
Designed By: KRK  
Checked By:  
Issue Date: 4/5/19  
Re-Issue:  
Scale: 1/8"=1'-0" @ 11x17  
1/4"=1'-0" @ 22x34



ROOF FRAMING PLAN  
ELEVATION A

**LEGEND**

- PROVIDE SOLID BLOCKING WITHIN FLOOR SYSTEM TO MATCH POST SIZE ABOVE.
- BEARING WALL ABOVE
- INTERIOR BEARING WALL
- BRACED WALL PANEL (SEE KSE STRUCTURAL DETAIL SHEETS FOR BRACED WALL PANEL SHEATHING FASTENING & BLOCKING DETAILS)
- 48" WSP

REFER TO KSE STRUCTURAL DETAILS SHEETS FOR GENERAL STRUCTURAL NOTES AND TYPICAL DETAILS

PLAN DESIGNED WITH 8" WALL PLATES

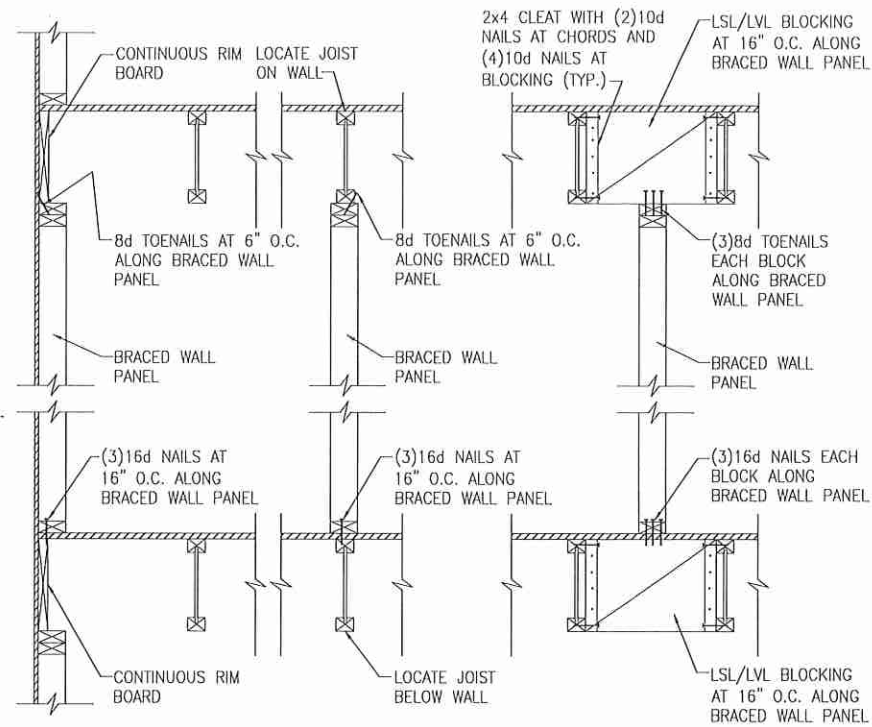
**KEYNOTES:**

- ① CONNECT STUD AT END OF BRACED WALL PANEL TO FRAMING BELOW WITH A 30" LONG SIMPSON CS22 COIL STRAP WITH MIN 8-10d NAILS EACH END.
- ⑩ 8'x16" HVAC PLATFORM TRUSSES DESIGNED TO SUPPORT HVAC UNITS.
- ⑪ 2x6 OVERFRAMING W/ 2x8 RIDGE AND VALLEY PLATES OR VALLEY SET TRUSSES @ 24" O.C. (TYP.)

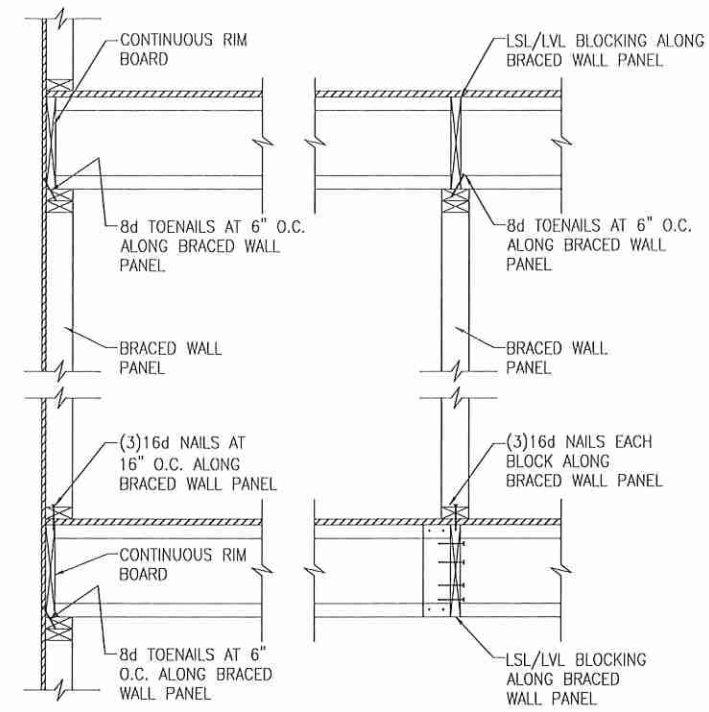


Roof Framing Plan  
Elevation A  
Jessamine Model - LH  
120 M.P.H.  
Carolina Division

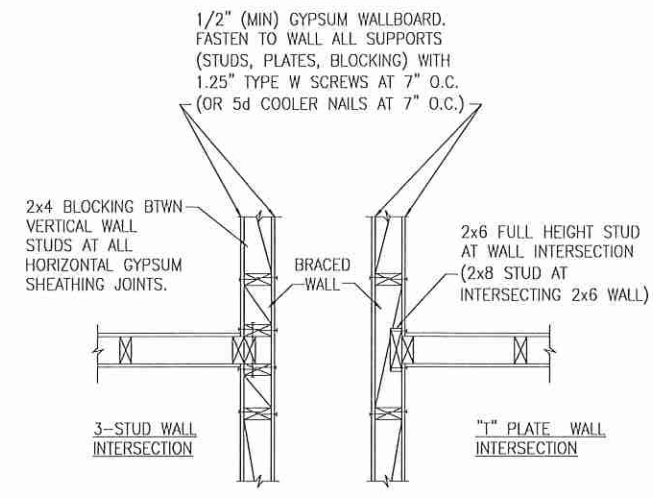
Project #: 105-16010  
Designed By: KRK  
Checked By:  
Issue Date: 4/5/19  
Re-Issue:  
Scale: 1/8"=1'-0" @ 11x17  
1/4"=1'-0" @ 22x34



**(A) TYPICAL BRACED WALL PANEL TO FLOOR/CEILING CONNECTION**  
BRACED WALL PANELS PARALLEL TO I-JOISTS

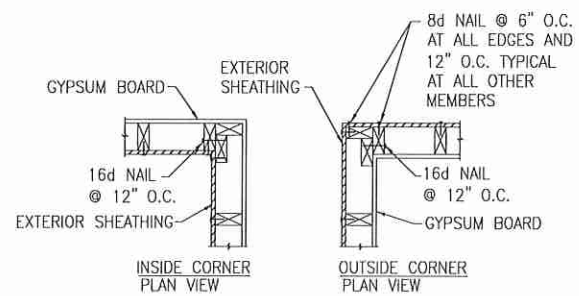


**(B) TYPICAL BRACED WALL PANEL TO FLOOR/CEILING CONNECTION**  
BRACED WALL PANELS PERPENDICULAR TO I-JOISTS

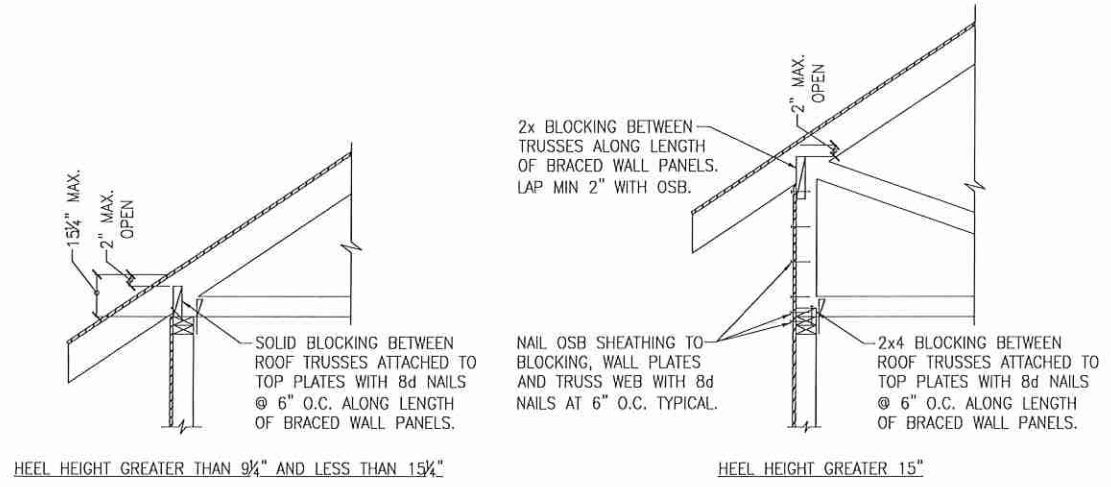


**(C) METHOD GB(1) AND GB(2) INTERSECTION DETAILS**

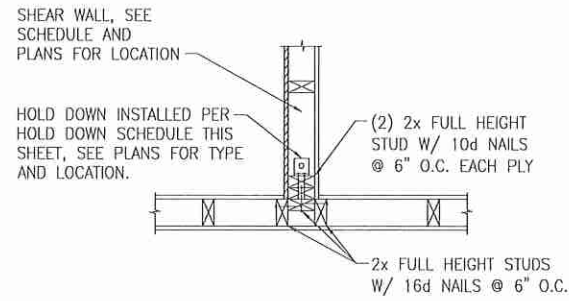
BRACED WALL INTERSECTIONS MAY BE FRAMED USING EITHER THE 3-STUD OR THE T-PLATE METHOD.



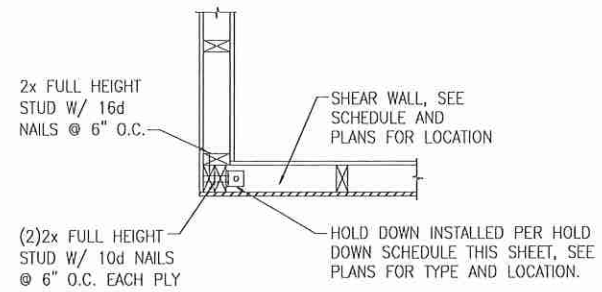
**(D) TYPICAL EXTERIOR CORNER WALL FRAMING**



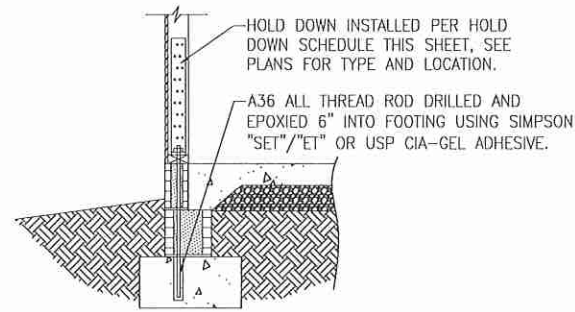
**(E) ROOF TRUSS BEARING/BLOCKING AT BRACED WALL PANELS**  
ONLY REQUIRED AT BRACED WALL PANELS



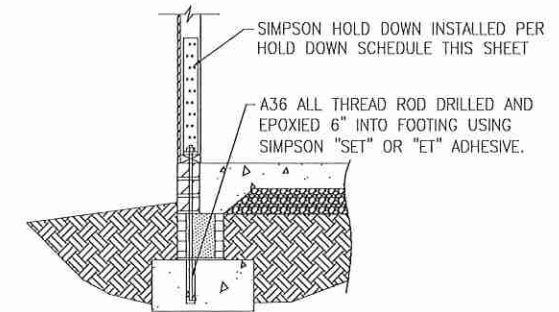
(A) TYPICAL HOLD DOWN DETAIL



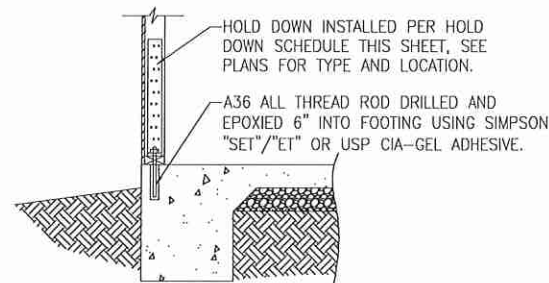
(B) TYPICAL HOLD DOWN DETAIL



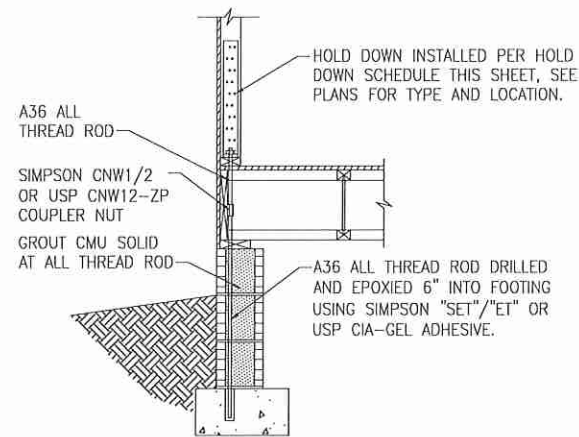
(C) HOLD DOWN AT STEMWALL SLAB FOUNDATION



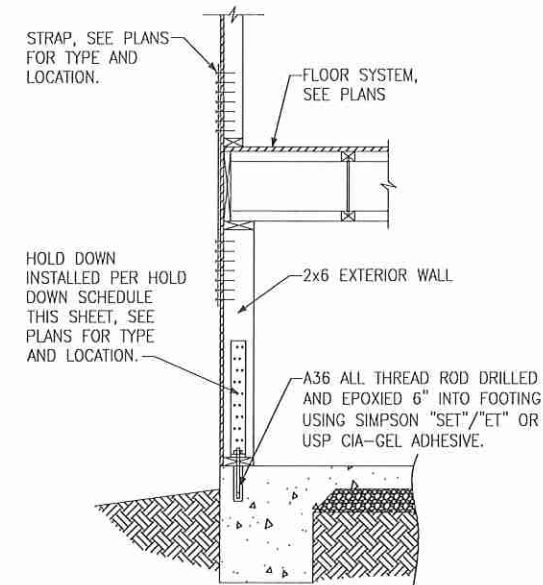
(C) HOLD DOWN AT STEMWALL SLAB



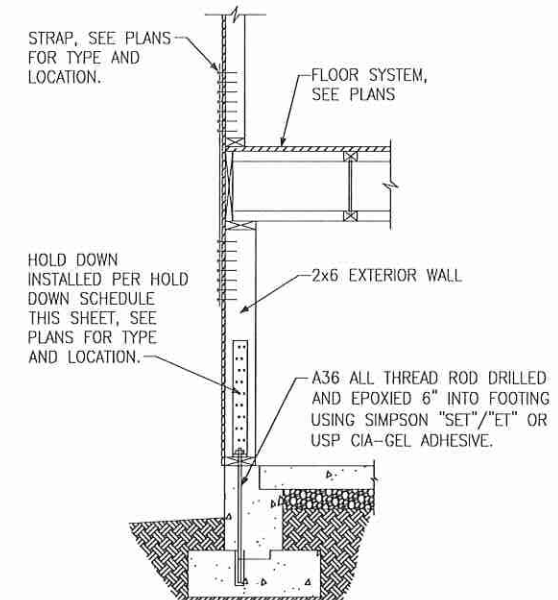
(D) HOLD DOWN AT MONOLITHIC SLAB FOUNDATION



(E) HOLD DOWN AT CRAWL SPACE FOUNDATION



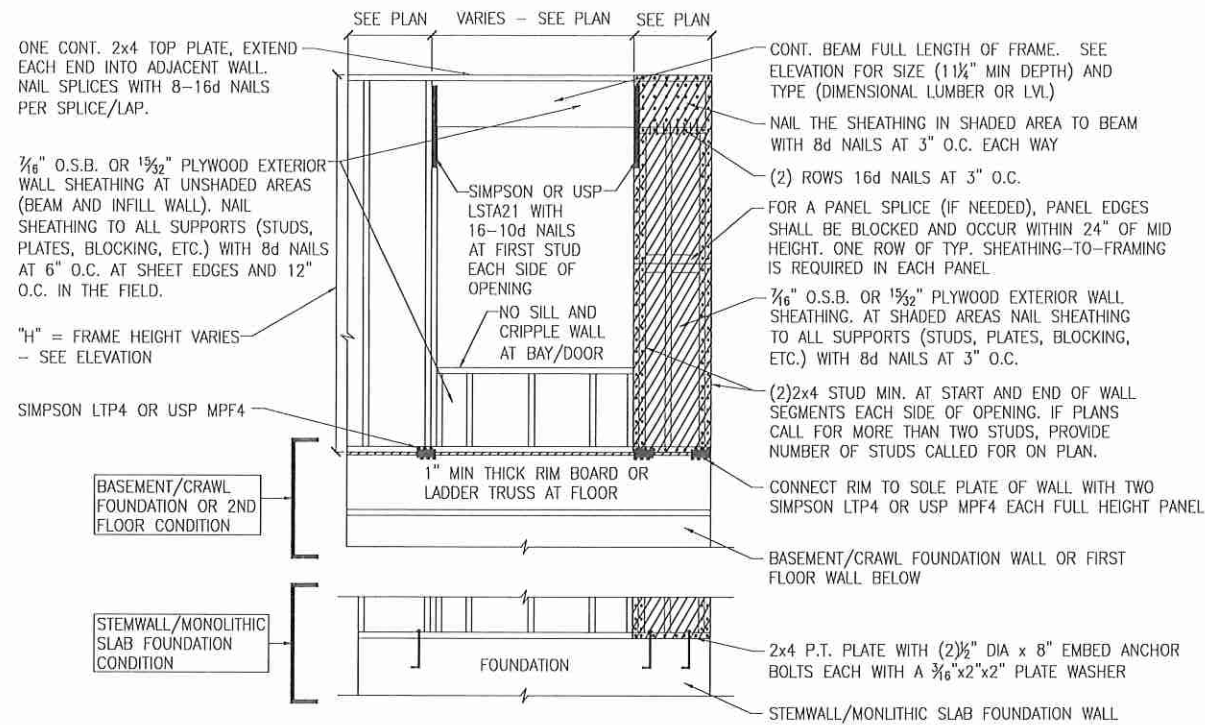
(F) HOLD DOWN AT BASEMENT FOUNDATION MONOLITHIC TURN-DOWN



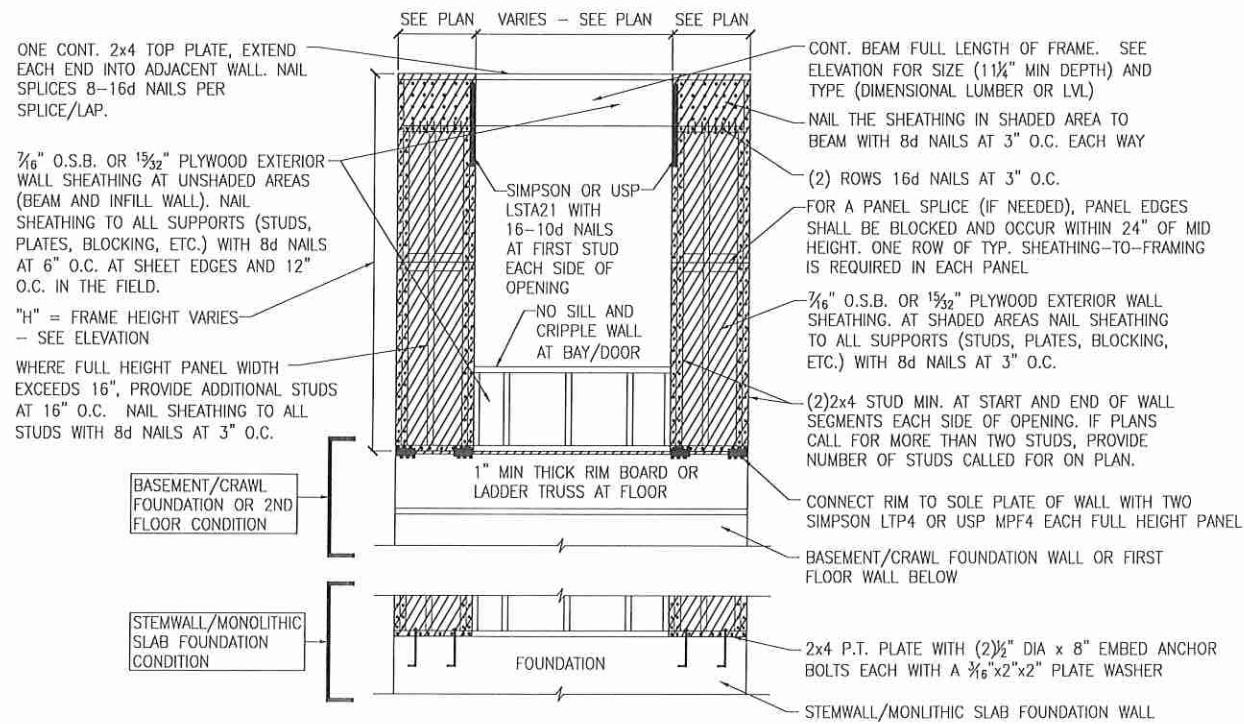
(G) HOLD DOWN AT BASEMENT FOUNDATION STEM WALL

HOLD DOWN SCHEDULE			
HOLD DOWN		ALL THREAD ROD	FASTENERS
SIMPSON	USP		
LTT20B	LTS20B	1/2" DIA.	(10)10d NAILS
HTT4	HTT16	5/8" DIA.	(18)16dx2 1/2" LONG NAILS
HTT5	HTT45	3/4" DIA.	(26)16dx2 1/2" LONG NAILS

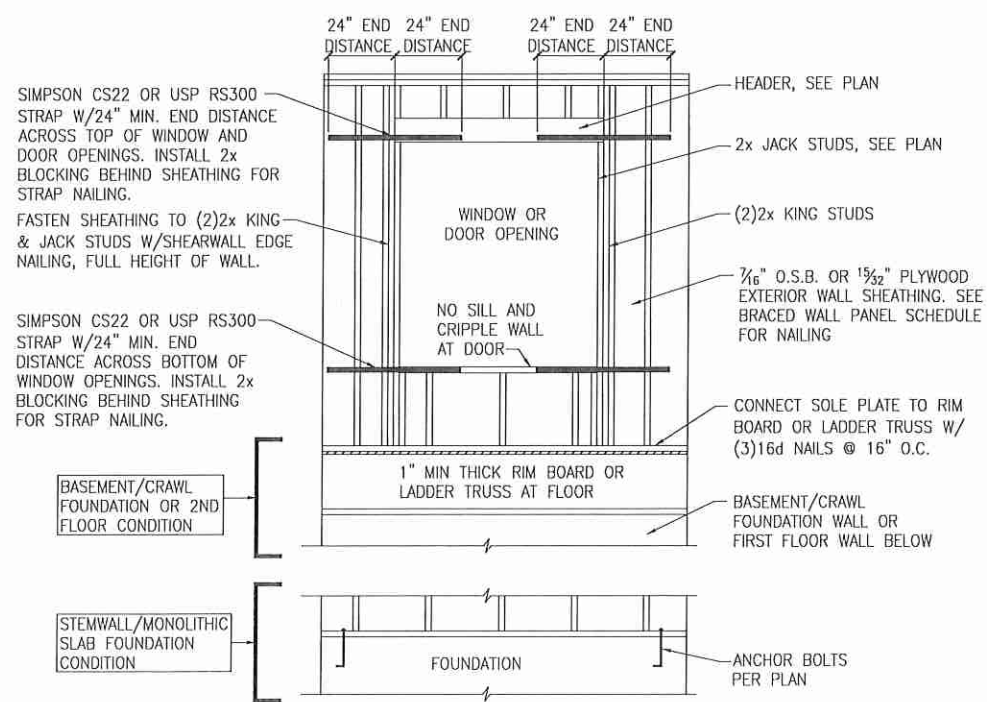




**A** METHOD CS-PF: CONTINUOUS PORTAL FRAME PANEL CONSTRUCTION  
ONE BRACED WALL SEGMENT



**B** METHOD CS-PF: CONTINUOUS PORTAL FRAME PANEL CONSTRUCTION  
TWO BRACED WALL SEGMENTS

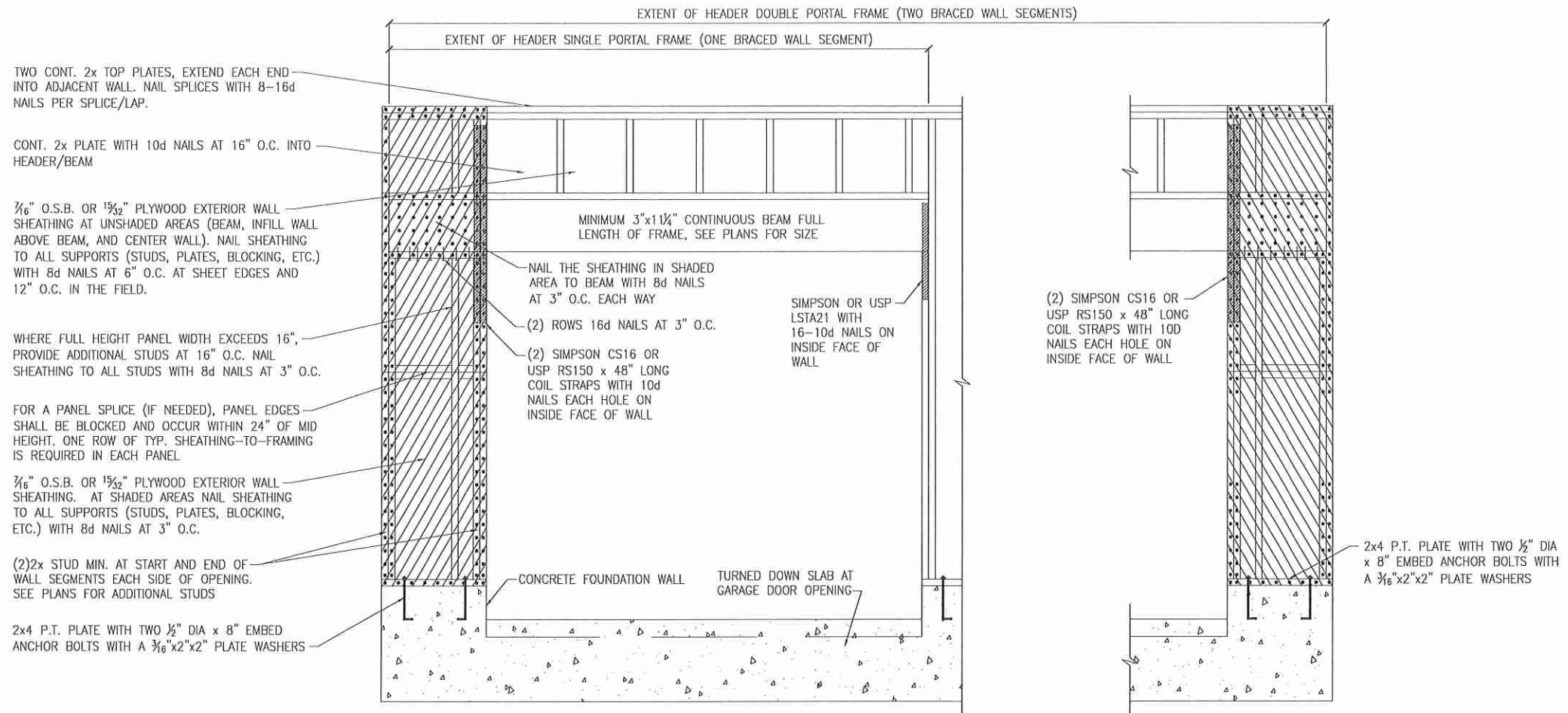


**C** WINDOW OR DOOR REINFORCEMENT IN ENGINEERED SHEAR WALL  
ONLY REQUIRED WHERE SPECIFIED ON PLANS

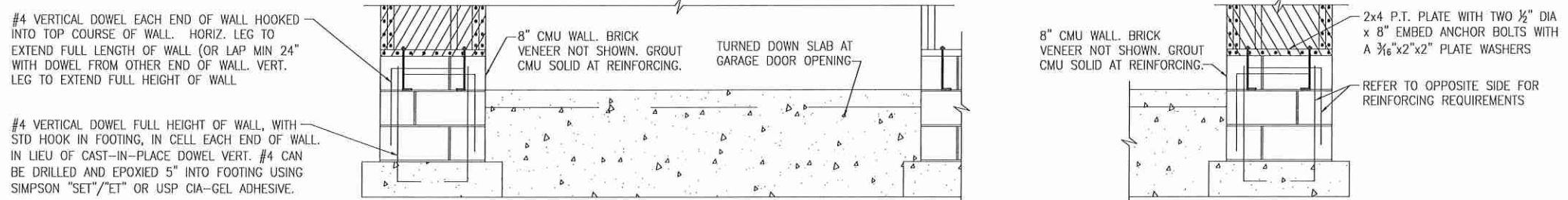
BRACED WALL PANEL AND ENGINEERED SHEAR WALL SCHEDULE			
PANEL TYPES	PANEL TYPE	MATERIAL	FASTENERS
WSP	INTERMITTENT WOOD STRUCTURAL PANEL	7/16" OSB	6D OR 8D COMMON NAILS AT 6" O.C. AT SHEET EDGES AND 12" O.C. AT INTERMEDIATE SUPPORTS. ENGINEERED ALTERNATIVE: 16 GAGE BY 1.75" LONG STAPLES AT 3" O.C. AT SHEET EDGES AND 6" O.C. AT INTERMEDIATE SUPPORTS.
GB(1)	INTERMITTENT GYPSUM BOARD (SHEATHING ONE FACE OF WALL)	1/2" GYPSUM	1.5" LONG GALV. ROOFING NAILS, 6d COMMON NAILS, OR 1.25" LONG TYPE W DRYWALL SCREWS AT 7" O.C. AT SHEET EDGES AND INTERMEDIATE SUPPORTS.
GB(1)-4	INTERMITTENT GYPSUM BOARD (SHEATHING ONE FACE OF WALL)	1/2" GYPSUM	1.5" LONG GALV. ROOFING NAILS, 6d COMMON NAILS, OR 1.25" LONG TYPE W DRYWALL SCREWS AT 4" O.C. AT SHEET EDGES AND INTERMEDIATE SUPPORTS.
GB(2)	INTERMITTENT GYPSUM BOARD (SHEATHING BOTH FACES OF WALL)	1/2" GYPSUM	1.5" LONG GALV. ROOFING NAILS, 6d COMMON NAILS, OR 1.25" LONG TYPE W DRYWALL SCREWS AT 7" O.C. AT SHEET EDGES AND INTERMEDIATE SUPPORTS.
CS-WSP	CONTINUOUS SHEATHED WOOD STRUCTURAL PANEL	7/16" OSB	6D OR 8D COMMON NAILS AT 6" O.C. AT SHEET EDGES AND 12" O.C. AT INTERMEDIATE SUPPORTS. ENGINEERED ALTERNATIVE: 16 GAGE BY 1.75" LONG STAPLES AT 3" O.C. AT SHEET EDGES AND 6" O.C. AT INTERMEDIATE SUPPORTS.
CS-PF	CONTINUOUS SHEATHED PORTAL FRAME	7/16" OSB	NAILING PER DETAIL
PFH	PORTAL FRAME WITH HOLD DOWNS	7/16" OSB	NAILING PER DETAIL
CS-ESW(1)	ENGINEERED SHEAR WALL, TYPE 1	7/16" OSB	8D COMMON NAILS AT 6" O.C. AT SHEET EDGES AND 12" O.C. AT INTERMEDIATE SUPPORTS. CONTINUOUS OSB AROUND DOOR/WINDOW OPENINGS.
CS-ESW(2)	ENGINEERED SHEAR WALL, TYPE 2	7/16" OSB	8D COMMON NAILS AT 4" O.C. AT SHEET EDGES AND 12" O.C. AT INTERMEDIATE SUPPORTS. CONTINUOUS OSB AROUND DOOR/WINDOW OPENINGS.
CS-ESW(3)	ENGINEERED SHEAR WALL, TYPE 3	7/16" OSB	8D COMMON NAILS AT 3" O.C. AT SHEET EDGES AND 12" O.C. AT INTERMEDIATE SUPPORTS. CONTINUOUS OSB AROUND DOOR/WINDOW OPENINGS.

**BRACED WALL PANEL NOTES:**

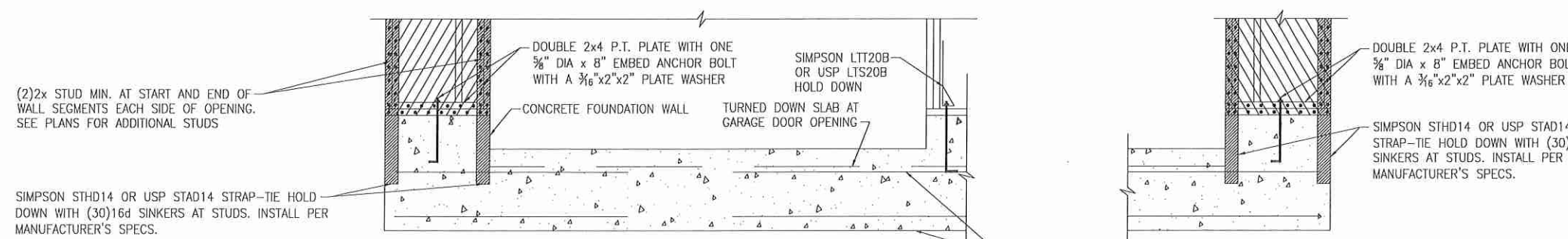
- ALL BRACED WALL PANELS, EXCEPT GB(1) & GB(2), SHALL HAVE 2x BLOCKING BETWEEN WALL STUDS AT ALL HORIZONTAL SHEET EDGES.
- PROVIDE NAILING/BLOCKING ABOVE AND BELOW ALL BRACED WALL PANELS PER KSE BRACED WALL DETAILS.
- SHEATH ALL EXTERIOR WALLS OF THE HOUSE WITH 7/16" O.S.B., OR 1/2" PLYWOOD, FASTENED PER IRC. AT EXTERIOR CORNERS, SHEATHING SHALL BE FASTENED PER KSE BRACED WALL DETAILS. AT INTERIOR WALL INTERSECTIONS, FASTEN STUDS & WALL BRACING PER KSE BRACED WALL DETAILS.
- BRACED WALL PANELS AND ENGINEERED SHEAR WALLS ARE PROVIDED PER IRC. PANEL LENGTHS SHOWN ON PLANS ARE THE MINIMUM LENGTH REQUIRED.



**A** METHOD CS-PF: CONTINUOUS PORTAL FRAME PANEL CONSTRUCTION  
 MONOLITHIC SLAB OR BASEMENT FOUNDATION



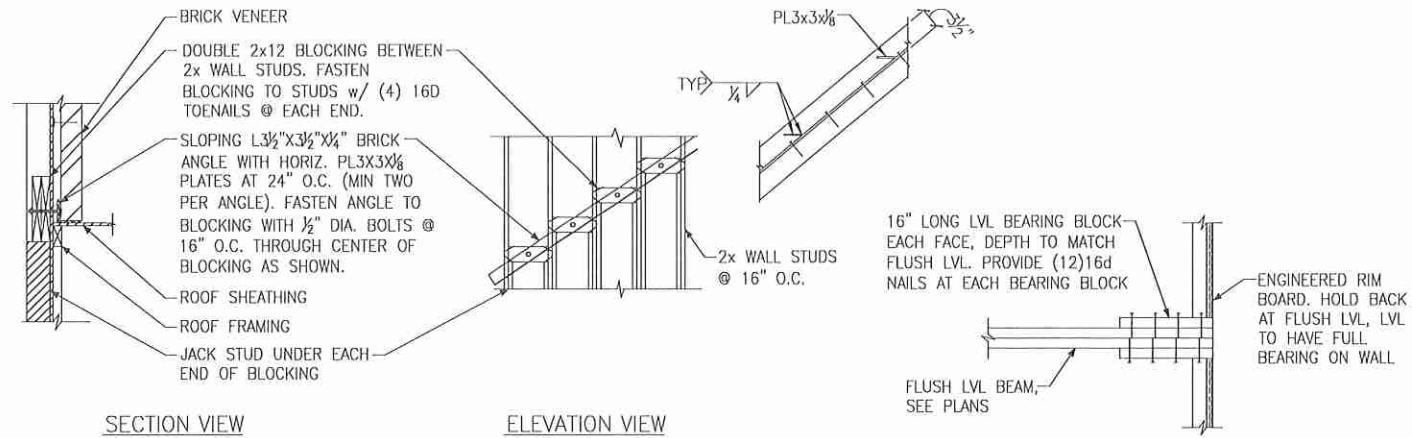
**B** METHOD CS-PF: CONTINUOUS PORTAL FRAME PANEL CONSTRUCTION  
 STEMWALL SLAB OR CRAWL SPACE FOUNDATION



**C** METHOD PFH: PORTAL FRAME WITH HOLD-DOWNS  
 MONOLITHIC SLAB OR BASEMENT FOUNDATION

CONTINUOUS #4 HIGH AND LOW.  
 PROVIDE MIN 24" LAPS WHERE SPLICED.



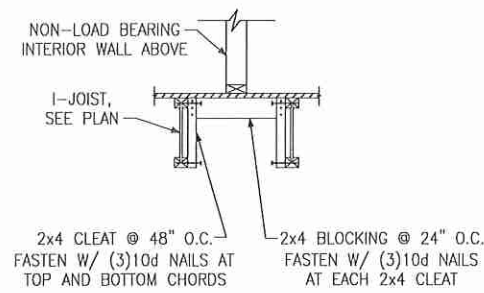


SECTION VIEW

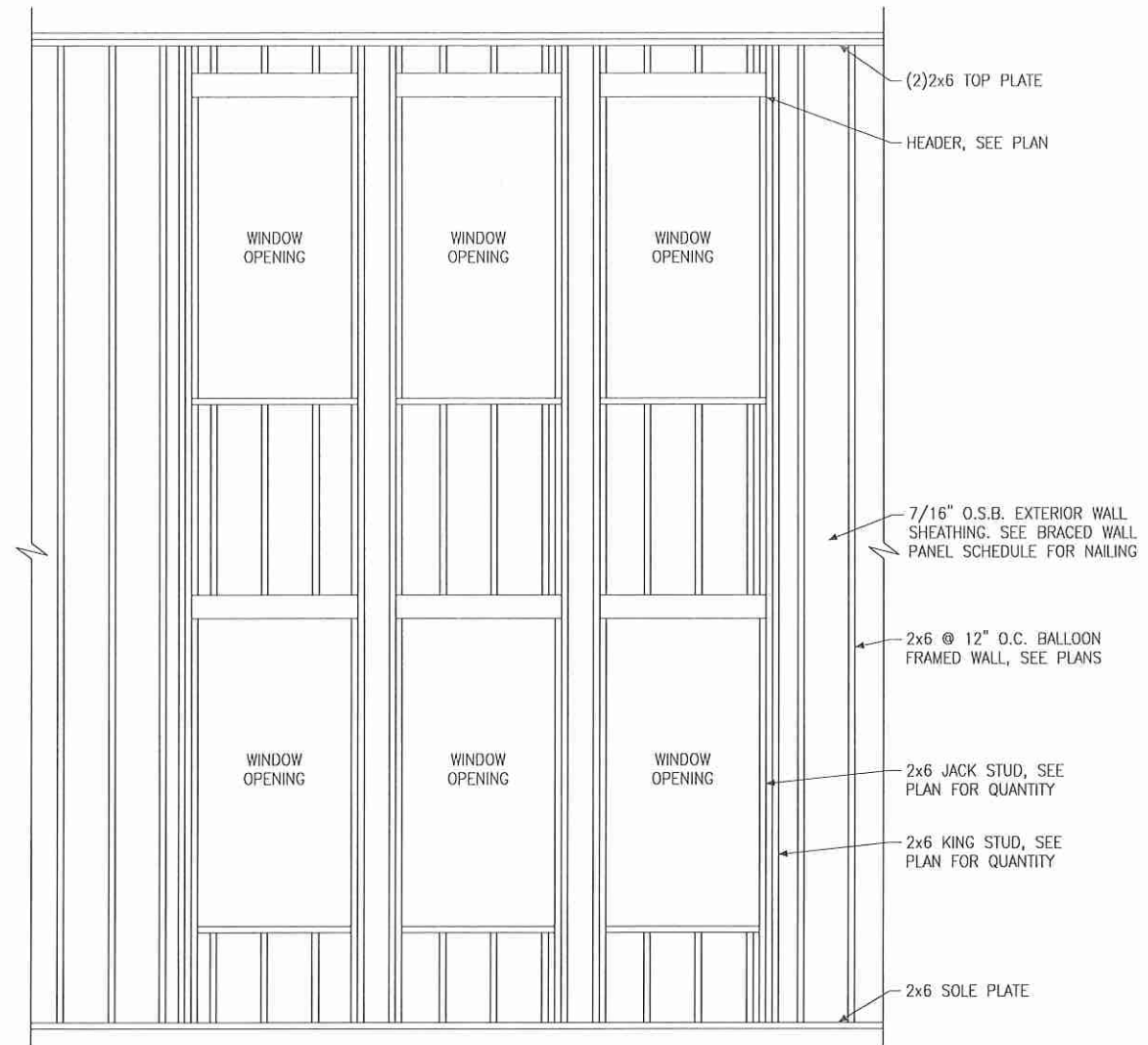
ELEVATION VIEW

(A) BRICK LEDGER CONNECTION DETAIL

(B) BEARING ENHANCER FLUSH LVL



(C) I-JOIST LADDER BLOCKING AS REQUIRED @ PARALLEL WALLS



(D) BALLOON FRAMED WALL DETAIL N.T.S.

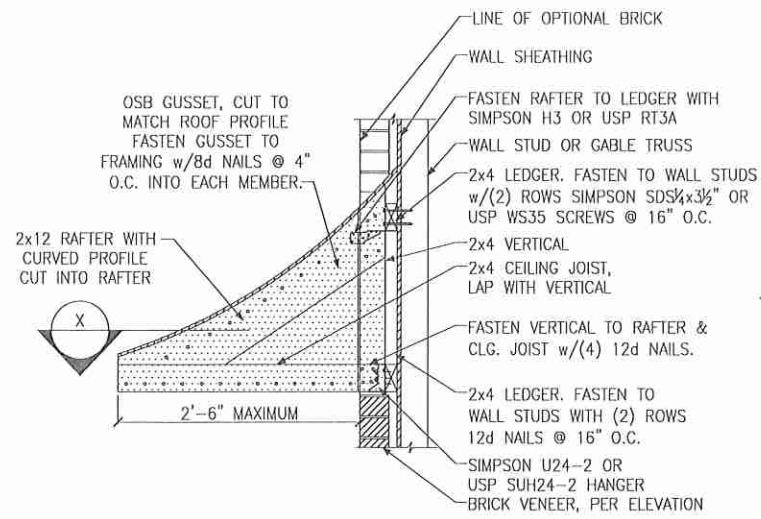


Miscellaneous Framing Details

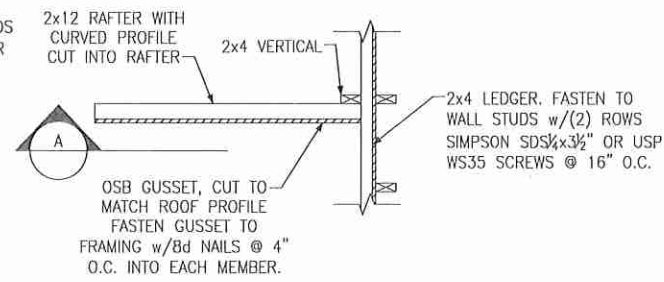
120 M.P.H.  
Carolina Division

Project #: 105-19000  
Designed By: KRK  
Checked By:  
Issue Date: 1/1/19  
Re-Issue:  
Scale: 1/8"=1'-0" @ 11x17  
1/4"=1'-0" @ 22x34

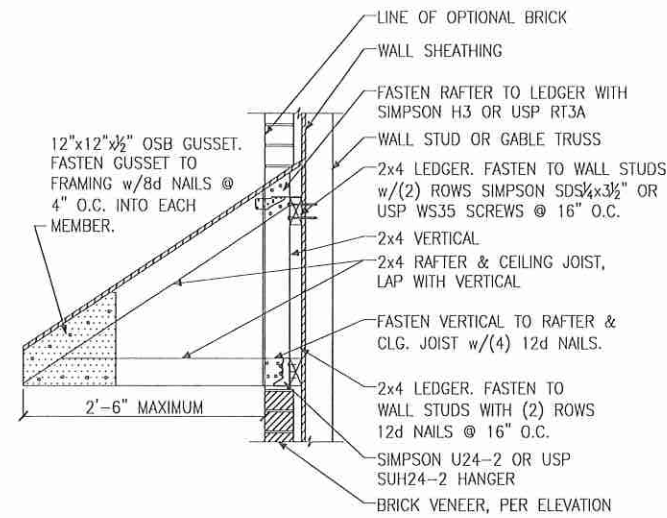




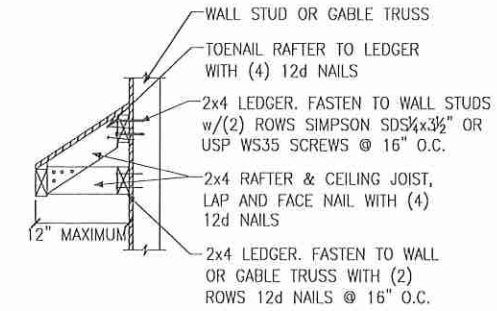
**A** PENT ROOF DETAIL  
CURVED ROOF



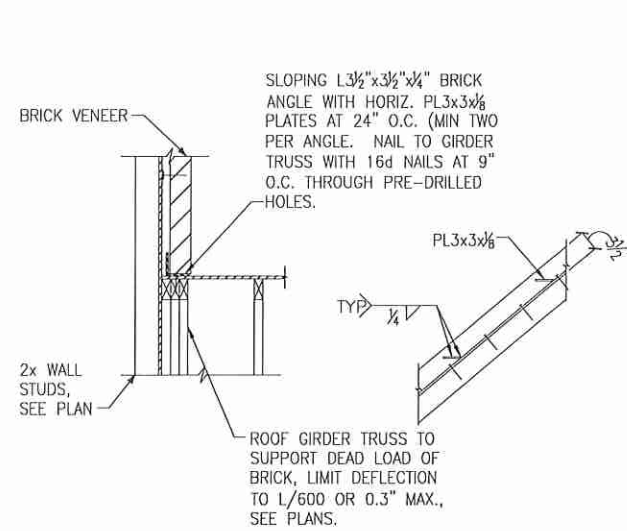
**X** SECTION  
CURVED ROOF



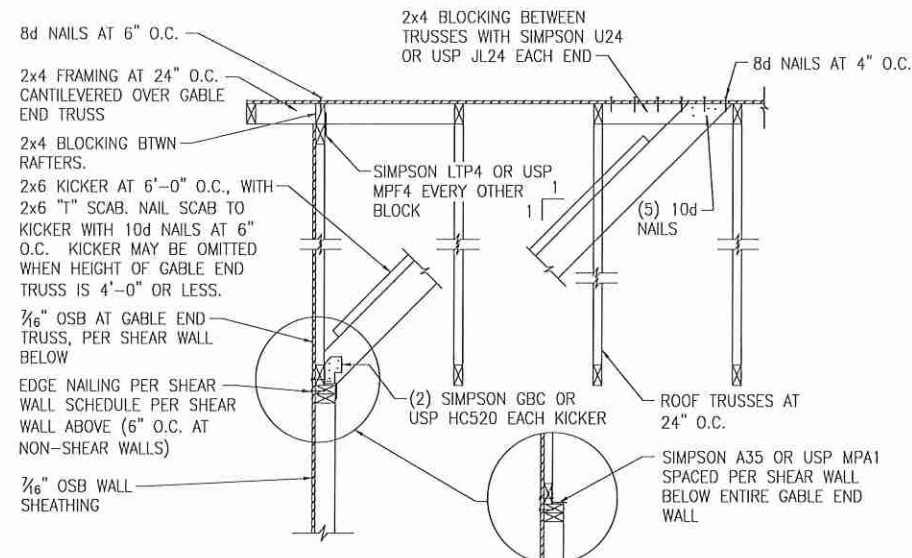
**B** PENT ROOF DETAIL  
STRAIGHT ROOF



**C** EYEBROW ROOF DETAIL  
STRAIGHT ROOF



**D** TRUSS DETAIL



**E** GABLE END WALL DETAIL



Miscellaneous Framing Details

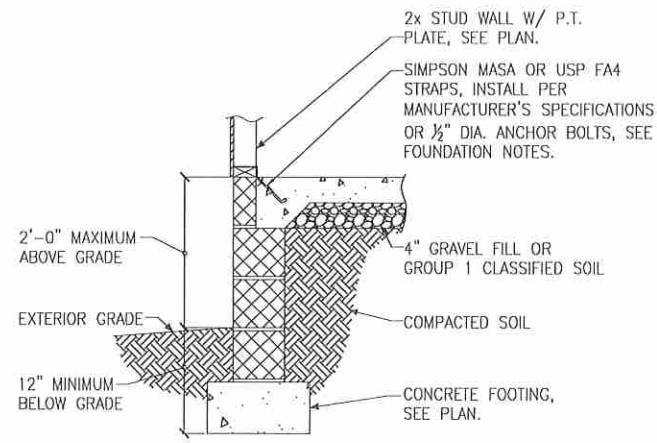
120 M.P.H.  
Carolina Division

Project #: 105-19000  
Designed By: KRK  
Checked By:  
Issue Date: 1/1/19  
Re-Issue:  
Scale: 1/8"=1'-0" @ 11x17  
1/4"=1'-0" @ 22x34

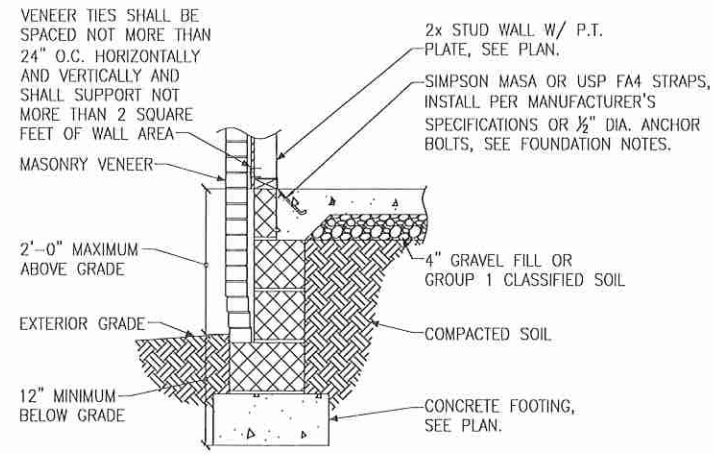


SD-6

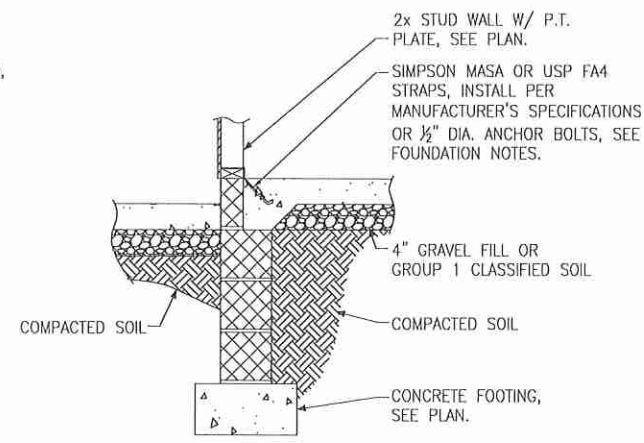




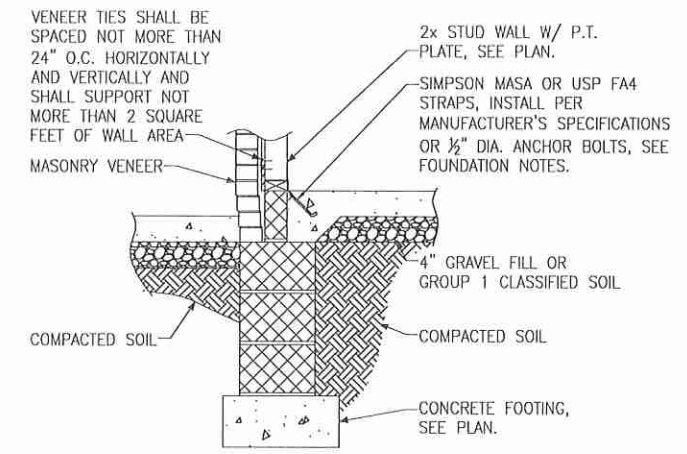
**A** FOUNDATION SECTION  
EXTERIOR WALL



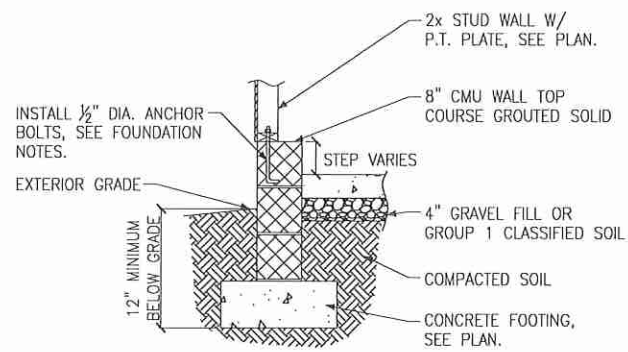
**B** FOUNDATION SECTION  
EXTERIOR WALL @ MASONRY  
VENEER



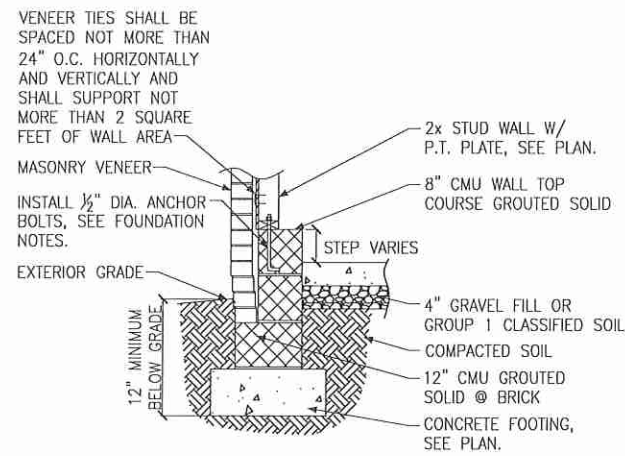
**C** FOUNDATION SECTION  
EXTERIOR WALL AT PORCH



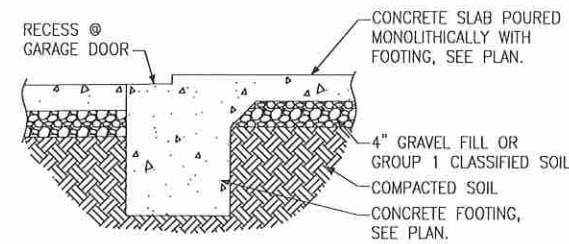
**D** FOUNDATION SECTION  
EXTERIOR WALL AT PORCH W/ MASONRY  
VENEER



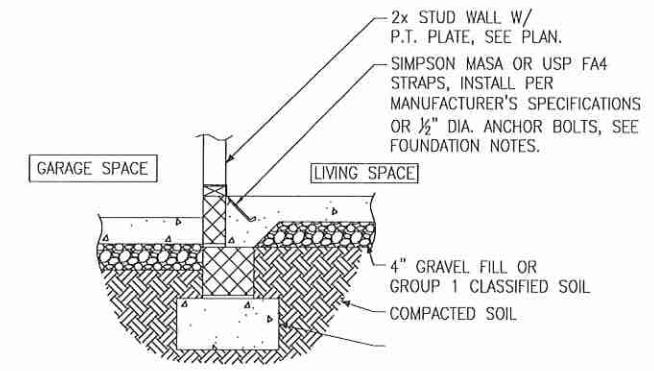
**E** FOUNDATION SECTION  
EXTERIOR GARAGE WALL



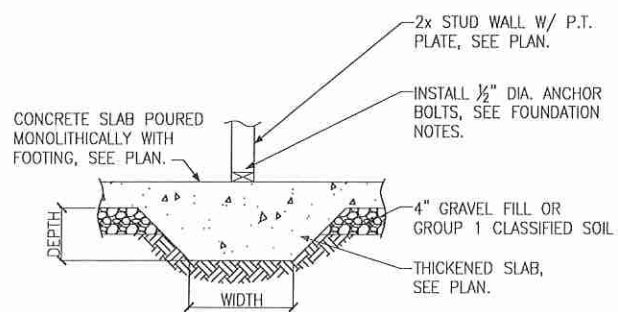
**F** FOUNDATION SECTION  
EXTERIOR GARAGE WALL @ MASONRY  
VENEER



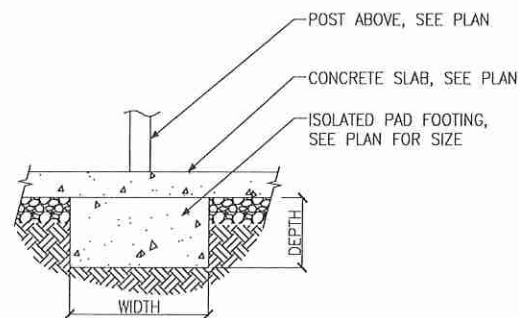
**G** FOUNDATION SECTION  
GARAGE DOOR



**H** FOUNDATION SECTION  
INTERIOR GARAGE WALL



**J** FOUNDATION SECTION  
THICKENED SLAB



**K** FOUNDATION SECTION  
ISOLATED PAD FOOTING

