

Graphical Illustration - Not To Scale
 Member Cut Length - 8'- 4"
 MemberPitch - 0/12

Design Information:

Building Code:	IRC2015	Floor Dead Load:	10.0 lb/ft ²	Roof Dead Load:	10.0 lb/ft ²	Ground Snow Load:	20.0 lb/ft ²
Design Methodology:	ASD	Floor Live Load:	40.0 lb/ft ²	Roof Live Load:	20.0 lb/ft ²		
		Unbraced Length Top:	1'- 10 1/2"	Bottom:	1'- 10 1/2"		

Design Results:

	Location	Design	Control	Result	LDF	Load Combination
Critical Moment (Pos)	3'- 8 1/2"	1512.96 lb ft	15318.75 lb ft	Passed - 10%	1.15	D + Lr
Critical Moment (Neg)	7'- 8 1/2"	-12.29 lb ft	21313.05 lb ft	Passed - 0%	1.60	0.6D + 0.6W
Critical Shear	1'- 3/4"	644.55 lb	7198.04 lb	Passed - 9%	1.15	D + Lr
Live Load Deflection	4'- 1 7/8"	0'	0'- 3/4" (L/360)	Passed - L/999	-	0.75(L + Lr + 0.6W)
Total Load Deflection	4'- 1 7/8"	0'- 1/16"	0'- 1" (L/240)	Passed - L/999	-	D + 0.75(L + Lr + 0.6W)
Max. Reaction			<u>Supported Mt</u> <u>Supporting Mt</u>			
	0'- 2 1/2"	653.63 lb	9187.52 lb 5206.26 lb	Passed - 13%	1.15	D + Lr
	8'- 1 1/2"	849.59 lb	9187.48 lb 5206.24 lb	Passed - 16%	1.15	D + Lr
	8'- 1 1/2"	-27.10 lb	12782.58 lb -	Passed - 1%	1.60	0.6D + 0.6W

Design Notes:

* Member design assumed proper ply to ply connection. Verify connection between plies according to code specification

Loading:

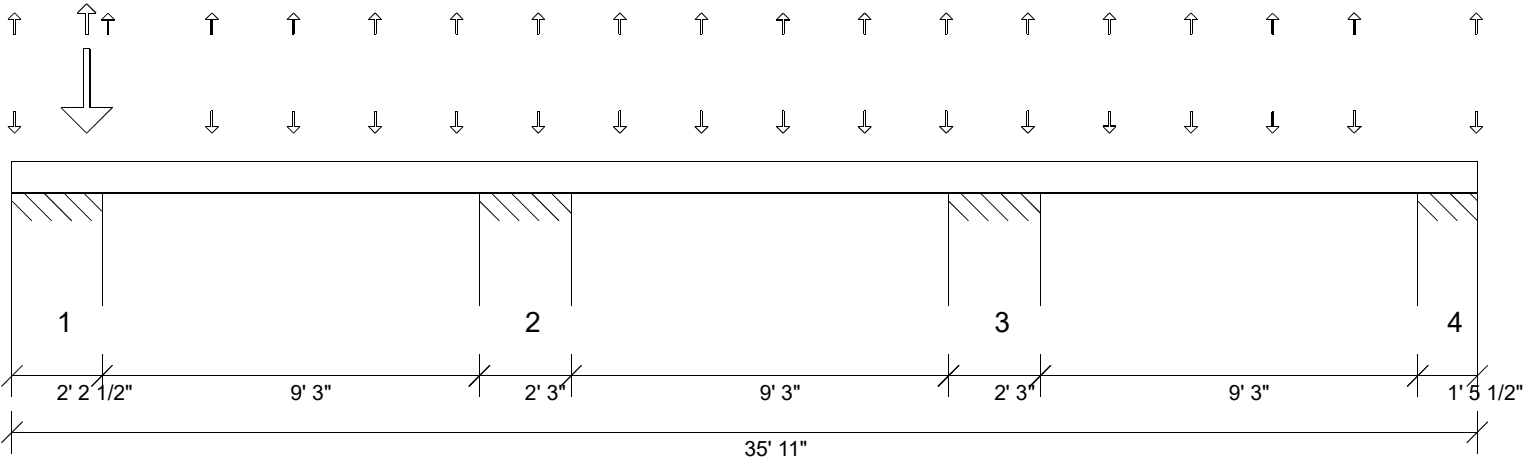
Type	Start	End	Source	Maximum Load Magnitudes			
				Dead	Floor Live	Roof Live	Snow
Self Weight	0'	8'- 4"	Self Weight	9 lb/ft	-	-	-
Uniform	0'- 8 1/2"	8'- 4"	Smoothed Load	94 lb/ft	-	94 lb/ft	56 lb/ft
Point	1'- 8 1/2"	1'- 8 1/2"	J09A(c03)	-	-	-	-
Point	3'- 8 1/2"	3'- 8 1/2"	J09A(c04)	-	-	-	-
Point	5'- 8 1/2"	5'- 8 1/2"	J09A(c05)	-	-	-	-
Point	7'- 8 1/2"	7'- 8 1/2"	J09A(c06)	-	-	-	-

Support Information:

Support	Start	End	Source	Maximum Analysis Reactions			
				Dead	Floor Live	Roof Live	Snow
1	0'	0'- 3 1/2"	E21(i41)	345.00 lb	-	309.00 lb	185.00 lb
2	8'- 1/2"	8'- 4"	E17(i34)	443.00 lb	-	407.00 lb	243.00 lb

Errors, Warnings & Notes:

- * The dead loads used in the design of this member were applied to the structure as projected dead loads.
- * The member graphic, dimensions, and locations shown on this report are based on the centerline of the member.
- * Analysis and Design has been performed using precision loading from actual modeled conditions. Some loads may have been modified to simplify reporting.



Graphical Illustration - Not To Scale
 Member Cut Length - 35'- 11"
 MemberPitch - 0/12

Design Information:

Building Code:	IRC2015	Floor Dead Load:	10.0 lb/ft ²	Roof Dead Load:	10.0 lb/ft ²	Ground Snow Load:	20.0 lb/ft ²
Design Methodology:	ASD	Floor Live Load:	40.0 lb/ft ²	Roof Live Load:	20.0 lb/ft ²		
		Unbraced Length	Top: 33'- 10"	Bottom:	35'- 11"		

Design Results:

	Location	Design	Control	Result	LDF	Load Combination
Critical Moment (Pos)	1'- 10"	2541.54 lb ft	15318.75 lb ft	Passed - 17%	1.15	D + 0.75(L + Lr)
Critical Moment (Neg)	2'- 1"	-1221.56 lb ft	15318.75 lb ft	Passed - 8%	1.15	D + 0.75(L + Lr)
Critical Shear	14'- 5 3/4"	572.03 lb	7198.04 lb	Passed - 8%	1.15	D + 0.75(L + Lr)
Live Load Deflection	18'- 3 7/16"	0'	0'- 3/4" (L/360)	Passed - L/999	-	0.75(L + Lr + 0.6W)
Total Load Deflection	18'- 3 7/8"	0'	0'- 1" (L/240)	Passed - L/999	-	D + 0.75(L + Lr + 0.6W)
Max. Reaction			Supported Mt Supporting Mt			
	0'- 1 1/2"	1672.06 lb	18375.00 lb 17762.50 lb	Passed - 9%	1.15	D + 0.75(L + Lr)
	2'- 1"	14746.11 lb	18375.00 lb 17762.50 lb	Passed - 83%	1.15	D + 0.75(L + Lr)
	11'- 7"	495.59 lb	18375.00 lb 17762.50 lb	Passed - 3%	1.60	D + 0.75(L + Lr + 0.6W)
	11'- 7"	-397.97 lb	18375.00 lb -	Passed - 2%	1.60	D + 0.75(L + Lr + 0.6W)
	13'- 7"	1192.65 lb	18375.00 lb 17762.50 lb	Passed - 7%	1.15	D + 0.75(L + Lr)
	23'- 1"	868.45 lb	18375.00 lb 17762.50 lb	Passed - 5%	1.15	D + 0.75(L + Lr)
	25'- 1"	771.95 lb	18375.00 lb 17762.50 lb	Passed - 4%	1.60	D + 0.75(L + Lr + 0.6W)
	25'- 1"	-141.43 lb	18375.00 lb -	Passed - 1%	1.60	0.6D + 0.6W
	34'- 7"	1152.45 lb	18375.00 lb 17762.50 lb	Passed - 6%	1.15	D + Lr
	34'- 7"	-141.44 lb	25565.22 lb -	Passed - 1%	1.60	0.6D + 0.6W
	35'- 9 1/2"	39.66 lb	25565.22 lb 17762.50 lb	Passed - 0%	1.60	0.6D + 0.6W
	35'- 9 1/2"	-556.70 lb	18375.00 lb -	Passed - 3%	1.15	D + Lr

Design Notes:

* Member design assumed proper ply to ply connection. Verify connection between plies according to code specification

Loading:

Type	Start	End	Source	Maximum Load Magnitudes			
				Dead	Floor Live	Roof Live	Snow
Self Weight	0'	35'- 11"	Self Weight	9 lb/ft	-	-	-
Point	0'- 3/4"	0'- 3/4"	D2(c01)	-	-	105.00 lb	40.00 lb
Point	1'- 10"	1'- 10"	D1(c01)	7716.00 lb	5644.00 lb	4899.00/-146.00 lb	1803.00 lb
Point	2'- 4 1/4"	2'- 4 1/4"	C4(c01)	-	-	-4.00 lb	-
Point	4'- 10 13/16"	4'- 10 13/16"	C4(c01)	110.00 lb	-	111.00 lb	41.00 lb
Point	6'- 10 13/16"	6'- 10 13/16"	C4(c01)	-	-	84.00 lb	29.00 lb
Point	8'- 10 13/16"	8'- 10 13/16"	C4(c01)	-	-2.00 lb	84.00 lb	32.00 lb
Point	10'- 10 13/16"	10'- 10 13/16"	C4(c01)	-	-5.00 lb	82.00 lb	32.00 lb
Point	12'- 10 13/16"	12'- 10 13/16"	C4(c01)	121.00 lb	-	83.00 lb	32.00 lb
Point	14'- 10 13/16"	14'- 10 13/16"	C4(c01)	128.00 lb	69.00 lb	87.00/-5.00 lb	31.00 lb
Point	16'- 10 13/16"	16'- 10 13/16"	C4(c01)	119.00 lb	70.00 lb	89.00/-15.00 lb	28.00 lb
Point	18'- 10 13/16"	18'- 10 13/16"	C4(c01)	120.00 lb	70.00 lb	78.00/-5.00 lb	27.00 lb
Point	20'- 10 13/16"	20'- 10 13/16"	C4(c01)	119.00 lb	70.00 lb	84.00/-10.00 lb	28.00 lb
Point	22'- 10 13/16"	22'- 10 13/16"	C4(c01)	123.00 lb	69.00 lb	90.00/-12.00 lb	30.00 lb
Point	24'- 10 13/16"	24'- 10 13/16"	C4(c01)	130.00 lb	69.00 lb	84.00 lb	32.00 lb
Point	26'- 10 13/16"	26'- 10 13/16"	C4(c01)	105.00 lb	-5.00 lb	82.00 lb	31.00 lb
Point	28'- 10 13/16"	28'- 10 13/16"	C4(c01)	-	-5.00 lb	86.00 lb	33.00 lb
Point	30'- 10 13/16"	30'- 10 13/16"	C4(c01)	-	-	84.00 lb	-
Point	32'- 10 13/16"	32'- 10 13/16"	C4(c01)	150.00 lb	-	149.00 lb	56.00 lb
Point	35'- 10 3/4"	35'- 10 3/4"	C4(c01)	-	-	89.00/-4.00 lb	32.00 lb

Support Information:

- Transfer reactions may differ from design results as allowed per building codes and standard load distribution practices.

- This report is based on modeled conditions input by the user. Source information for the loads and supports are provided for reference only. Verify that all loads and support conditions are correct.



Support	Start	End	Source	Maximum Analysis Reactions			
				Dead	Floor Live	Roof Live	Snow
1	0'	2'- 2 1/2"	E1(i50)	8125.00/-60.00 lb	5656.00/-8.00 lb	5348.00/-294.00 lb	1924.00/-9.00 lb
==>	0'- 1 1/2"	0'- 1 1/2"	E1(i50)	-60.00 lb	1.00/-6.00 lb	113.00/-143.00 lb	-9.00 lb
==>	2'- 1"	2'- 1"	E1(i50)	8125.00 lb	5655.00/-2.00 lb	5235.00/-151.00 lb	1924.00 lb
2	11'- 5 1/2"	13'- 8 1/2"	E3(i98)	693.00 lb	357.00/-129.00 lb	808.00/-236.00 lb	175.00 lb
==>	11'- 7"	11'- 7"	E3(i98)	211.00 lb	33.00/-129.00 lb	396.00/-139.00 lb	94.00 lb
==>	13'- 7"	13'- 7"	E3(i98)	482.00 lb	324.00 lb	412.00/-97.00 lb	81.00 lb
3	22'- 11 1/2"	25'- 2 1/2"	E5(i100)	735.00 lb	439.00/-108.00 lb	796.00/-221.00 lb	171.00 lb
==>	23'- 1"	23'- 1"	E5(i100)	447.00 lb	316.00/-22.00 lb	395.00/-150.00 lb	75.00 lb
==>	25'- 1"	25'- 1"	E5(i100)	288.00 lb	123.00/-86.00 lb	401.00/-71.00 lb	96.00 lb
4	34'- 5 1/2"	35'- 11"	E7(i102)	612.00/-253.00 lb	36.00/-30.00 lb	638.00/-313.00 lb	192.00/-76.00 lb
==>	34'- 7"	34'- 7"	E7(i102)	612.00 lb	30.00/-9.00 lb	549.00/-2.00 lb	192.00 lb
==>	35'- 9 1/2"	35'- 9 1/2"	E7(i102)	-253.00 lb	6.00/-21.00 lb	89.00/-311.00 lb	-76.00 lb

Errors, Warnings & Notes:

- * The dead loads used in the design of this member were applied to the structure as projected dead loads.
- * The member graphic, dimensions, and locations shown on this report are based on the centerline of the member.
- * Analysis and Design has been performed using precision loading from actual modeled conditions. Some loads may have been modified to simplify reporting.