

DOGWOOD H&H HOMES - GARAGE LEFT

PLAN REVISIONS

- REVISION DATE: 03-18-19
 1) UPDATE ISSUE DATE
 2) ALIGN FLOOR PLAN WITH FOUNDATION
 3) UPDATE ELEVATION KEY NOTES

DOGWOOD SQUARE FOOTAGES			
AREA	ELEV 'A'	ELEV 'B'	ELEV 'C'
1st FLOOR	1333 SF	1333 SF	1333 SF
2nd FLOOR	1667 SF	1675 SF	1686 SF
TOTAL LIVING	3000 SF	3008 SF	3019 SF
GARAGE	508 SF	508 SF	508 SF
PORCH	103 SF	123 SF	100 SF
OPT. COVERED PATIO	113 SF	113 SF	113 SF
OPT. EXT. COV. PATIO	193 SF	193 SF	193 SF
OPT. COVERED DECK	113 SF	113 SF	113 SF
OPT. EXPANDED W/C	+113 SF	+113 SF	+113 SF
OPT. BED 6 / BATH 4	+64 SF	+64 SF	+64 SF
OPT. 3-CAR GARAGE	240 SF	240 SF	240 SF

ISSUANCE OF PLANS FROM THIS DRAFTER'S OFFICE SHALL NOT RELIEVE THE BUILDER OF RESPONSIBILITY TO REVIEW AND VERIFY ALL NOTES, DIMENSIONS, AND ADHERENCE TO APPLICABLE BUILDING CODES PRIOR TO COMMENCEMENT OF ANY CONSTRUCTION.
 ANY DISCREPANCY OF ERROR IN NOTES, DIMENSIONS, OR ADHERENCE TO APPLICABLE BUILDING CODES SHALL BE BROUGHT TO THE ATTENTION OF THE DRAFTER'S OFFICE FOR CORRECTION BEFORE COMMENCEMENT OF ANY CONSTRUCTION.
 ANY REVISIONS OR CHANGES, NOT RELATED TO THE CORRECTION OF ERRORS THAT ARE MADE AFTER THE FINAL PLANS HAVE BEEN COMPLETED SHALL BE SUBJECT TO ADDITIONAL FEES.
 IF ANY MODIFICATIONS ARE MADE TO THESE PLANS BY ANY OTHER PARTY OTHER THAN THE DRAFTER'S OFFICE, THE DRAFTER SHALL NOT BE HELD RESPONSIBLE.

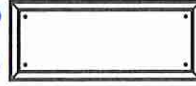


JOB NUMBER	27187.07
CAD FILE NAME	DOGWOOD-L
ISSUED	01/17/19
REVISED	03/18/19

DRAWINGS ON 11"x17" SHEET ARE ONE HALF THE SCALE NOTED

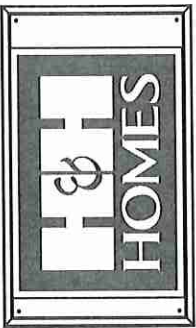
ACX000073 Inventory Marked

DOGWOOD
H&H HOMES



TITLE
REVISION LOG

SHEET
CS



JOB NUMBER	27187.07
*JOB FILE NAME	DOGWOOD-1
ISSUED	01/17/18
REVISED	03/18/18

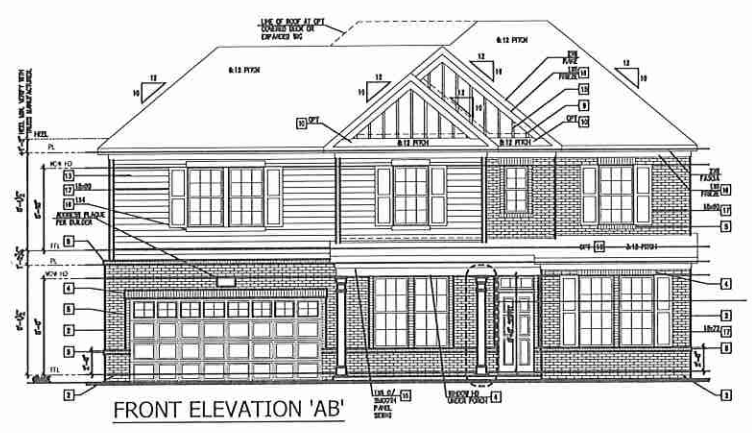
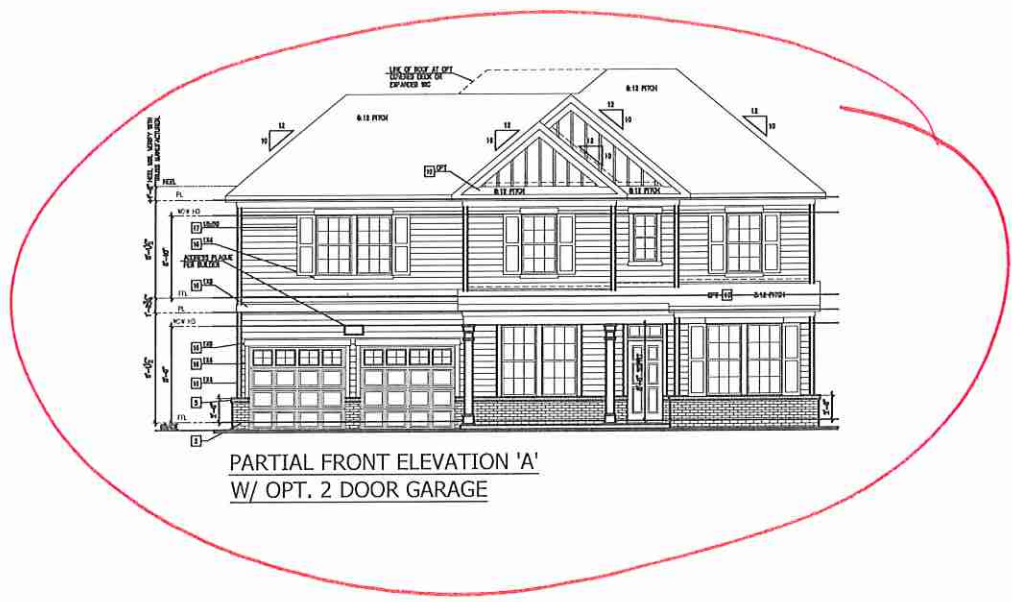
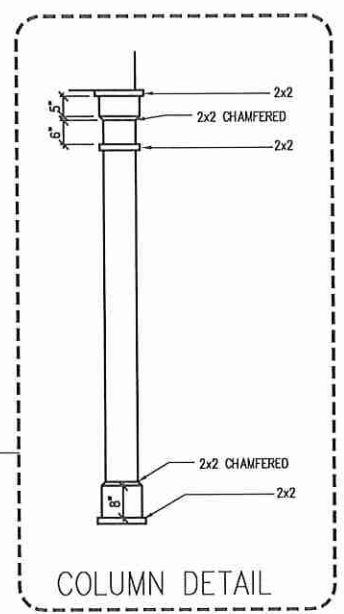
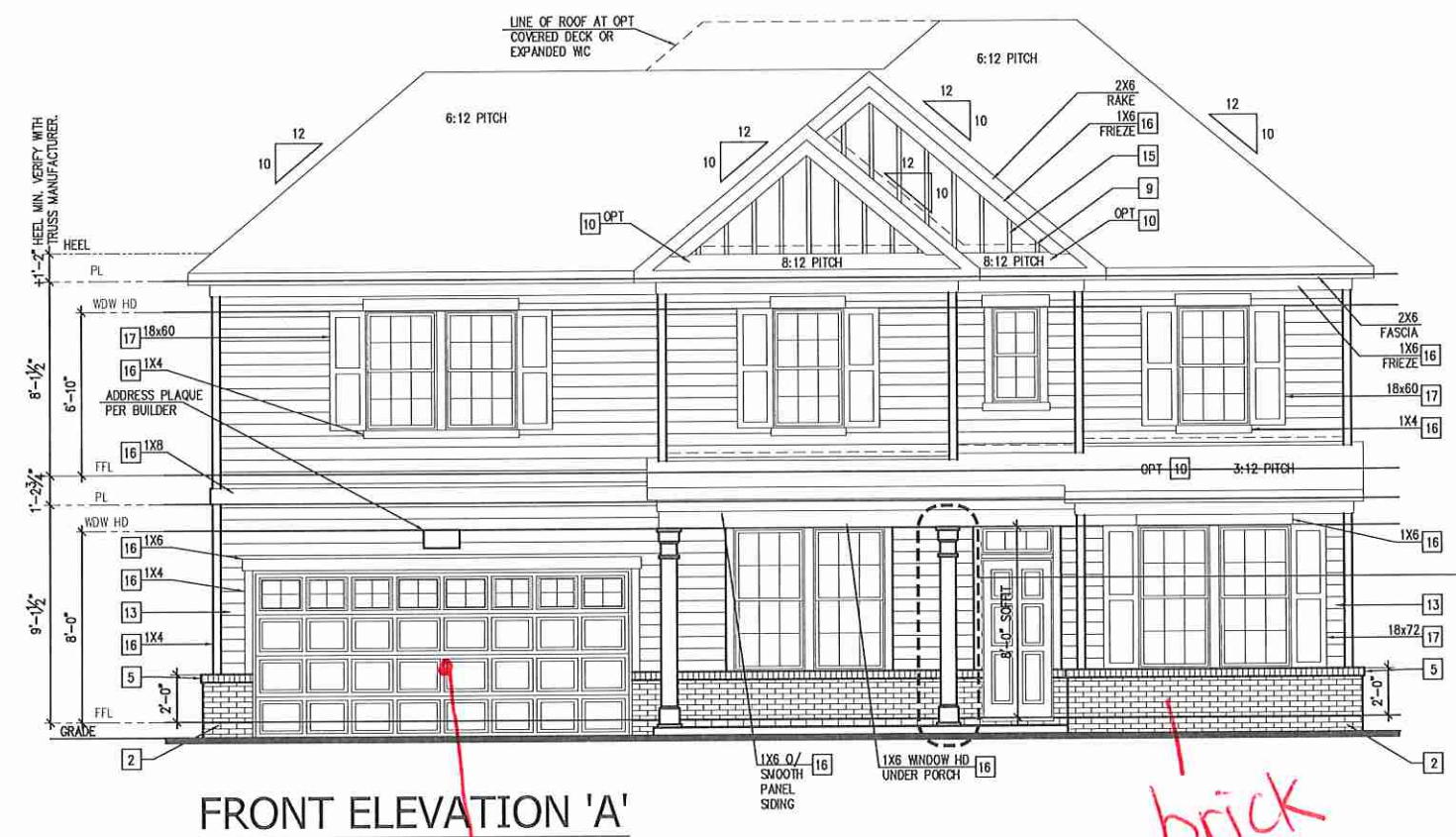
DRAWINGS ON 11"x17" SHEET ARE ONE HALF THE SCALE NOTED

DOGWOOD
H&H HOMES

TITLE
FRONT ELEVATION
DETAILS

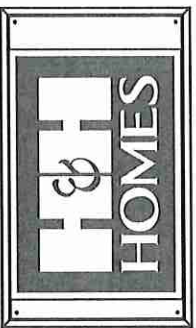
SHEET
A3.0

- NOTES:**
- GRADE CONDITIONS MAY VARY FOR INDIVIDUAL SITE FROM THAT SHOWN. BUILDER SHALL VERIFY AND COORDINATE PER ACTUAL SITE CONDITIONS.
 - WINDOW HEAD HEIGHTS:
1ST FLOOR = 6'-10" U.L.O. ON ELEVATIONS.
2ND FLOOR = 6'-10" U.L.O. ON ELEVATIONS.
 - ROOFING: PITCHED SHINGLES PER DEVELOPER.
 - WINDOWS: MANUFACTURER PER DEVELOPER, DIVIDED LITES AS SHOWN ON THE EXTERIOR ELEVATIONS.
 - ENTRY DOOR: AS SELECTED BY DEVELOPER.
 - GARAGE DOORS: AS SELECTED BY DEVELOPER, RAISED PANEL AS SHOWN.
 - CHIMNEY AS REQUIRED: TOP OF CHIMNEYS TO BE A MINIMUM OF 24" ABOVE ANY ROOF WITHIN 10'-0" OF CHIMNEY.
 - ALL EXTERIOR MATERIALS TO BE INSTALLED PER MANUFACTURER'S WRITTEN INSTRUCTIONS.
 - PROTECTION AGAINST DECAY: PER NIRC R317.1 (ALL PORTIONS OF A PORCH, SCREEN PORCH OR DECK FROM THE BOTTOM OF THE HEADER DOWN, INCLUDING POST, RAILS, PICKETS, STEPS AND FLOOR STRUCTURE.)
- KEY NOTES:**
- MASONRY:**
- [1] ADHERED STONE VENEER AS SELECTED BY DEVELOPER. HEIGHT AS NOTED.
 - [2] MASONRY FULL BRICK AS SELECTED BY DEVELOPER. HEIGHT AS NOTED.
 - [3] MASONRY FULL BLOCK AS SELECTED BY DEVELOPER. HEIGHT AS NOTED.
 - [4] 8" SOLID COURSE.
 - [5] ROWLOCK COURSE.
 - [6] DECORATIVE KEY. SEE DETAIL TYPICALS.
- TYPICALS:**
- [7] CORROSION RESISTANT SCREEN LOUVERED VENTS. SIZE AS NOTED.
 - [8] CODE APPROVED TERMINATION CHIMNEY CAP.
 - [9] CORROSION RESISTANT ROOF TO WALL FLASHING. CODE COMPLIANT FLASHING MUST BE INSTALLED AT ALL ROOF/WALL INTERSECTIONS. (SEE WALL-STEP FLASHING IS REQUIRED IN NIRC R302.2.2.3.)
 - [10] STANDING SEAM METAL ROOF. INSTALL PER MANUFACTURER'S WRITTEN INSTRUCTIONS.
 - [11] DECORATIVE WROUGHT IRON. SEE DETAILS.
- SIDING:**
- [12] VINYL / OPT. FIBER CEMENT SHAKE SIDING (PER COMMUNITY STANDARDS) w/ 5/8"x4" CORNER TRIM BOARDS.
 - [13] VINYL / OPT. FIBER CEMENT LAP SIDING (PER COMMUNITY STANDARDS) w/ 5/8"x4" CORNER TRIM BOARDS.
 - [14] VINYL / OPT. FIBER CEMENT WAVY SIDING (PER COMMUNITY STANDARDS) w/ 5/8"x4" CORNER TRIM BOARDS.
 - [15] VINYL / OPT. FIBER CEMENT PANEL SIDING w/ 1X3 BATTIS AT 12" O.C.
 - [16] 1X TRIM OR EQUAL, U.L.O. SIZE AS NOTED.
 - [17] FALSE SHUTTERS, TYPE AS SHOWN. SIZE AS NOTED.
- ALL WINDOWS WHOSE OPENING IS LESS THAN 24" ABOVE THE FINISH FLOOR AND WHOSE OPENING IS GREATER THAN 12" ABOVE THE OUTSIDE WALKING SURFACE MUST HAVE WINDOW OPENING LIMITING DEVICES COMPLYING WITH THE 2012 NIRC SECTION R612.3 AND 612.4.



ELEVATION "A"
NOTE:
SCALE IS 1/8" = 1'-0" IF PRINTED IN HALF SIZE
SCALE IS 1/4" = 1'-0" IF PRINTED IN FULL SIZE
GARAGE LEFT

ISSUANCE OF PLANS FROM THIS DRAFTER'S OFFICE SHALL NOT RELIEVE THE BUILDER OF RESPONSIBILITY TO REVIEW AND VERIFY ALL NOTES, DIMENSIONS, AND ADHERENCE TO APPLICABLE BUILDING CODES PRIOR TO COMMENCEMENT OF ANY CONSTRUCTION.
ANY DISCREPANCY OF ERROR IN NOTES, DIMENSIONS, OR ADHERENCE TO APPLICABLE BUILDING CODES SHALL BE BROUGHT TO THE ATTENTION OF THE DRAFTER'S OFFICE FOR CORRECTION BEFORE COMMENCEMENT OF ANY CONSTRUCTION.
ANY REVISIONS OR CHANGES, NOT RELATED TO THE CORRECTION OF ERRORS THAT ARE MADE AFTER THE FINAL PLANS HAVE BEEN COMPLETED SHALL BE SUBJECT TO ADDITIONAL FEES.
IF ANY MODIFICATIONS ARE MADE TO THESE PLANS BY ANY OTHER PARTY OTHER THAN THE DRAFTER'S OFFICE, THE DRAFTER SHALL NOT BE HELD RESPONSIBLE.



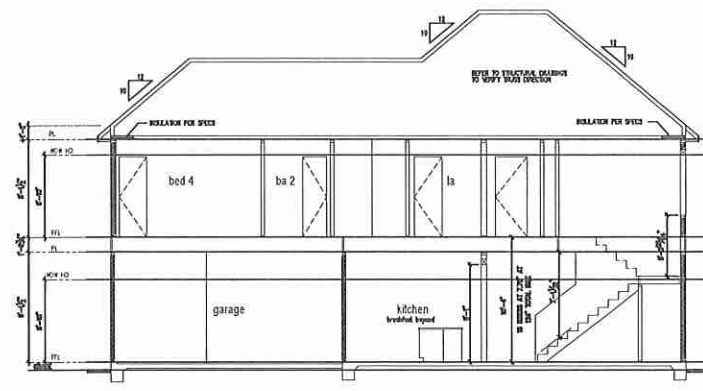
*JOB NUMBER 27187.07
 CAD FILE NAME DOGWOOD-L
 ISSUED 01/17/10
 REVISED 03/18/10

DRAWINGS ON 11"x17"
 SHEET ARE ONE HALF
 THE SCALE NOTED

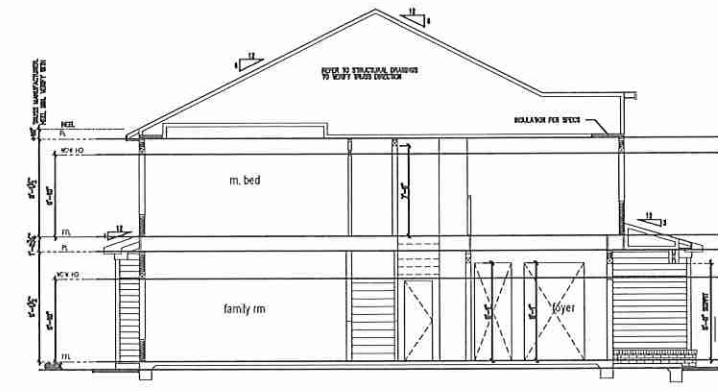
DOGWOOD
 H&H HOMES

TITLE
 SIDE AND REAR ELEVATIONS
 ROOF PLAN
 BUILDING SECTION

SHEET
A3.1



BUILDING SECTION 1



BUILDING SECTION 2



LEFT ELEVATION 'A'

NOTES:

- GRADE CONDITIONS MAY VARY FOR INDIVIDUAL SITE FROM THAT SHOWN. BUILDER SHALL VERIFY AND COORDINATE PER ACTUAL SITE CONDITIONS.
- WINDOW HEAD HEIGHTS:
1ST FLOOR = 6'-10" U.A.O. ON ELEVATIONS.
2ND FLOOR = 6'-10" U.A.O. ON ELEVATIONS.
- ROOFING: PITCHED SHINGLES PER DEVELOPER.
- WINDOWS: MANUFACTURER PER DEVELOPER. DIVIDED LITES AS SHOWN ON THE EXTERIOR ELEVATIONS.
- ENTRY DOOR: AS SELECTED BY DEVELOPER.
- GARAGE DOORS: AS SELECTED BY DEVELOPER, RAISED PANEL, AS SHOWN.
- CHIMNEY AS OCCURS: TOP OF CHIMNEYS TO BE A MINIMUM OF 24" ABOVE ANY ROOF WITHIN 10'-0" OF CHIMNEY.
- ALL EXTERIOR MATERIALS TO BE INSTALLED PER MANUFACTURER'S WRITTEN INSTRUCTIONS.
- PROTECTION AGAINST DECAY: PER IRC R317.1 (ALL PORTIONS OF A PORCH, SCREEN PORCH OR DECK FROM THE BOTTOM OF THE HEADER DOWN, INCLUDING POST, RAILS, PICKETS, STEPS AND FLOOR STRUCTURE.)

KEY NOTES:

MASONRY:

- [1] ANKERED STONE VENEER AS SELECTED BY DEVELOPER. HEIGHT AS NOTED.
- [2] MASONRY FULL BRICK AS SELECTED BY DEVELOPER. HEIGHT AS NOTED.
- [3] MASONRY FULL STONE AS SELECTED BY DEVELOPER. HEIGHT AS NOTED.
- [4] 6" SOLDIER COURSE.
- [5] ROWLOCK COURSE.
- [6] DECORATIVE KEY, SEE DETAIL.

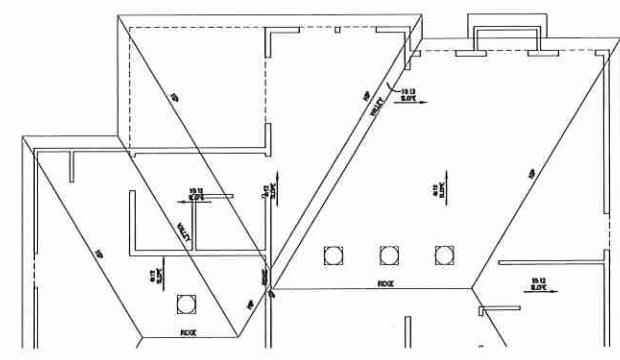
TYPICALS:

- [7] CORROSION RESISTANT SCREEN LOUVERED VENTS, SIZE AS NOTED.
- [8] CODE APPROVED TERMINATION CHIMNEY CAP.
- [9] CORROSION RESISTANT ROOF TO WALL FLASHING, CODE COMPLIANT FLASHING MUST BE INSTALLED AT ALL ROOF/WALL INTERSECTIONS. (SIDE WALL-STEP FLASHING IS REQUIRED IN IRC R905.2.8.3.)
- [10] STANDING SEAM METAL ROOF, INSTALL PER MANUFACTURER'S WRITTEN INSTRUCTIONS.
- [11] DECORATIVE WROUGHT IRON, SEE DETAILS.

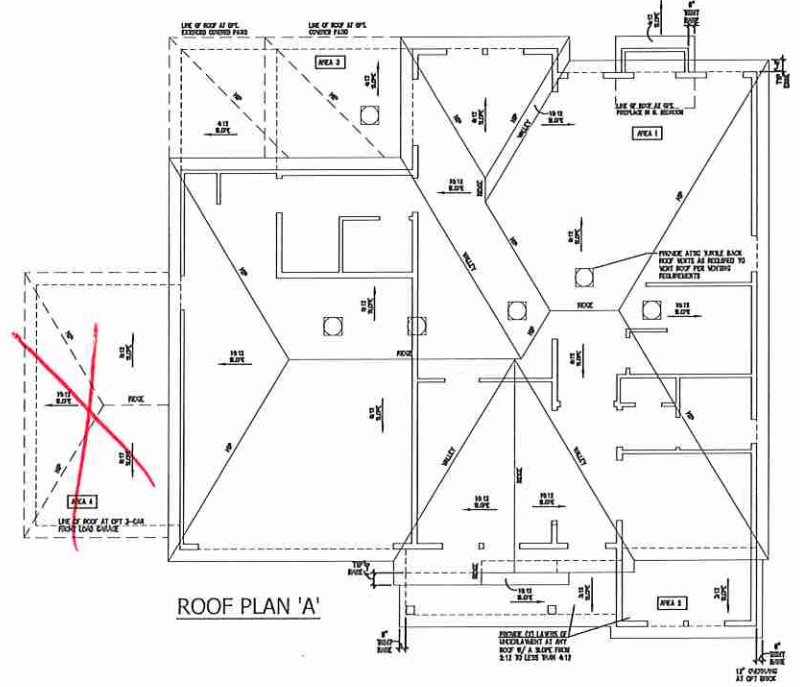
SIDING:

- [12] VINYL / OPT. FIBER CEMENT SHAVE SIDING (PER COMMUNITY STANDARDS) w/ 5/16" CORNER TRIM BOARDS.
- [13] VINYL / OPT. FIBER CEMENT LAP SIDING (PER COMMUNITY STANDARDS) w/ 5/16" CORNER TRIM BOARDS.
- [14] VINYL / OPT. FIBER CEMENT SHAVE SIDING (PER COMMUNITY STANDARDS) w/ 5/16" CORNER TRIM BOARDS.
- [15] VINYL / OPT. FIBER CEMENT PANEL SIDING w/ 1/2" BATTIS AT 12" O.C.
- [16] 1x TRIM OR EQUAL, U.A.O. SIZE AS NOTED.
- [17] FALSE SHUTTERS, TYPE AS SHOWN, SIZE AS NOTED.

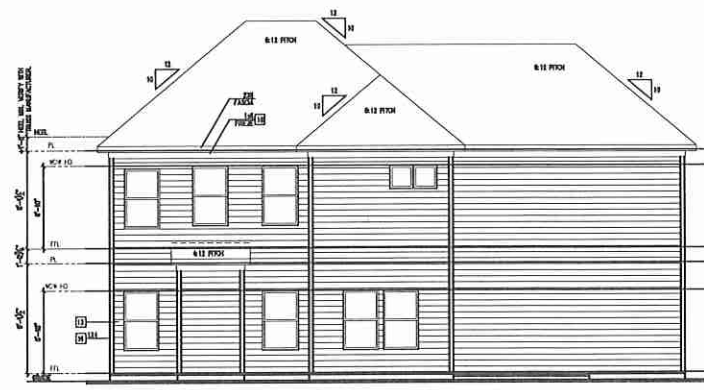
ALL WINDOWS WHOSE OPENING IS LESS THAN 24" ABOVE THE FINISH FLOOR AND WHOSE OPENING IS GREATER THAN 72" ABOVE THE OUTSIDE WALKING SURFACE MUST HAVE WINDOW OPENING LIMITING DEVICES COMPLYING WITH THE 2012 IRC SECTION R310.3 AND R310.6.



ROOF PLAN 'A' W/ OPT. COVERED DECK / EXPANDED WIC



ROOF PLAN 'A'



REAR ELEVATION 'A'



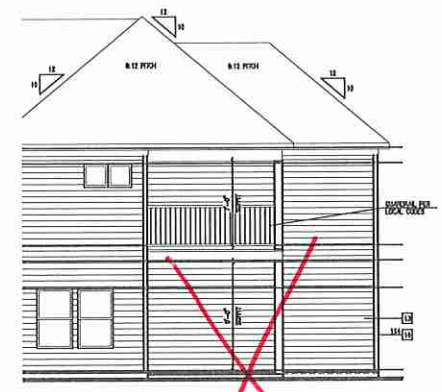
RIGHT ELEVATION 'A'

ISSUANCE OF PLANS FROM THIS DRAFTER'S OFFICE SHALL NOT RELIEVE THE BUILDER OF RESPONSIBILITY TO REVIEW AND VERIFY ALL NOTES, DIMENSIONS, AND ADHERENCE TO APPLICABLE BUILDING CODES PRIOR TO COMMENCEMENT OF ANY CONSTRUCTION.
 ANY DISCREPANCY OF ERROR IN NOTES, DIMENSIONS, OR ADHERENCE TO APPLICABLE BUILDING CODES SHALL BE BROUGHT TO THE ATTENTION OF THE DRAFTER'S OFFICE FOR CORRECTION BEFORE COMMENCEMENT OF ANY CONSTRUCTION.
 ANY REVISIONS OR CHANGES, NOT RELATED TO THE CORRECTION OF ERRORS THAT ARE MADE AFTER THE FINAL PLANS HAVE BEEN COMPLETED SHALL BE SUBJECT TO ADDITIONAL FEES.
 IF ANY MODIFICATIONS ARE MADE TO THESE PLANS BY ANY OTHER PARTY OTHER THAN THE DRAFTER'S OFFICE, THE DRAFTER SHALL NOT BE HELD RESPONSIBLE.

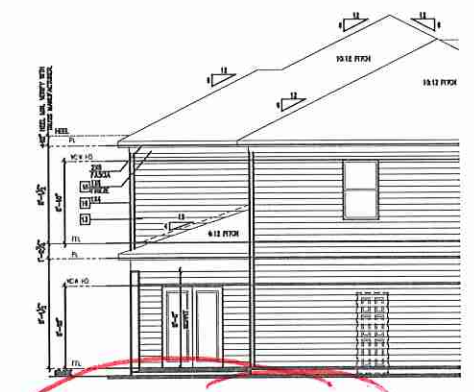
ELEVATION "A"
 NOTE:
 SCALE IS 1/8" = 1'-0" IF PRINTED IN HALF SIZE
 SCALE IS 1/4" = 1'-0" IF PRINTED IN FULL SIZE
GARAGE LEFT



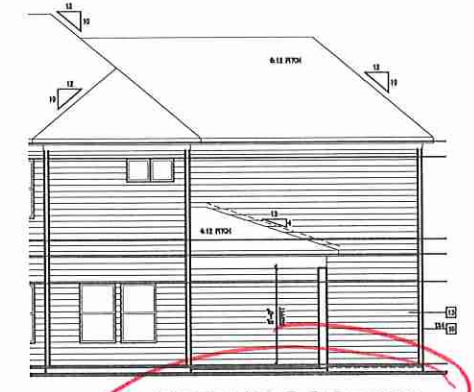
PARTIAL LEFT ELEVATION 'A' W/
 OPT. COVERED DECK OVER PATIO



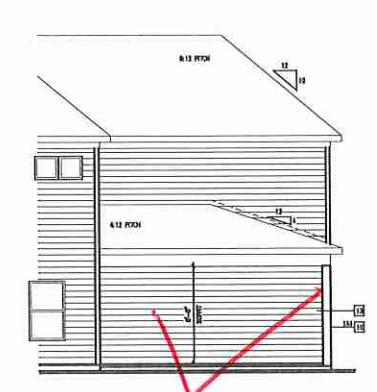
PARTIAL REAR ELEVATION 'A' W/
 OPT COVERED DECK OVER PATIO



PARTIAL LEFT ELEVATION
 W/ OPT COVERED PATIO



PARTIAL REAR ELEVATION
 W/ OPT COVERED PATIO



PARTIAL REAR ELEVATION W/
 OPT EXTENDED COV. PATIO

NOTES:

- GRADE CONDITIONS MAY VARY FOR INDIVIDUAL SITE FROM THAT SHOWN. BUILDER SHALL VERIFY AND COORDINATE PER ACTUAL SITE CONDITIONS.
- WINDOW HEAD HEIGHTS:
 1ST FLOOR = 6'-10" U.L.O. ON ELEVATIONS.
 2ND FLOOR = 6'-10" U.L.O. ON ELEVATIONS.
- ROOFING: PITCHED SHINGLES PER DEVELOPER.
- WINDOWS: MANUFACTURER PER DEVELOPER. DIVIDED LITES AS SHOWN ON THE EXTERIOR ELEVATIONS
- ENTRY DOOR: AS SELECTED BY DEVELOPER.
- GARAGE DOORS: AS SELECTED BY DEVELOPER, RAISED PANEL AS SHOWN.
- CHIMNEY AS OCCURS: TOP OF CHIMNEYS TO BE A MINIMUM OF 24" ABOVE ANY ROOF WITHIN 10'-0" OF CHIMNEY.
- ALL EXTERIOR MATERIALS TO BE INSTALLED PER MANUFACTURER'S WRITTEN INSTRUCTIONS.
- PROTECTION AGAINST DECAY: PER IRC R317.1 (ALL PORTIONS OF A PORCH, SCREEN PORCH OR DECK FROM THE BOTTOM OF THE HEADER DOWN, INCLUDING POSTS, RAILS, PICKETS, STEPS AND FLOOR STRUCTURE.)

KEY NOTES:

MASONRY:

- 1 ADHERED STONE VENEER AS SELECTED BY DEVELOPER. HEIGHT AS NOTED.
- 2 MASONRY FULL BRICK AS SELECTED BY DEVELOPER. HEIGHT AS NOTED.
- 3 MASONRY FULL STONE AS SELECTED BY DEVELOPER. HEIGHT AS NOTED.
- 4 8" SOLIDER COURSE.
- 5 ROUNDOCK COURSE.
- 6 DECORATIVE KEY. SEE DETAIL.

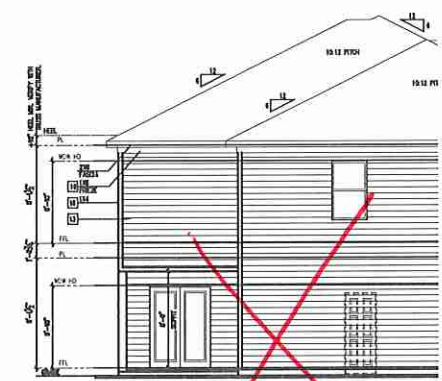
TYPICALS:

- 7 CORROSION RESISTANT SCREEN LOUVERED VENTS. SIZE AS NOTED.
- 8 CODE APPROVED TERMINATION CHIMNEY CAP.
- 9 CORROSION RESISTANT ROOF TO WALL FLASHING. CODE COMPLIANT FLASHING MUST BE INSTALLED AT ALL ROOF/WALL INTERSECTIONS. (SIDE WALL-STEP FLASHING IS REQUIRED BY IRC R905.2.8.3)
- 10 STANDING SEAM METAL ROOF, INSTALL PER MANUFACTURER'S WRITTEN INSTRUCTIONS.
- 11 DECORATIVE WROUGHT IRON. SEE DETAILS.

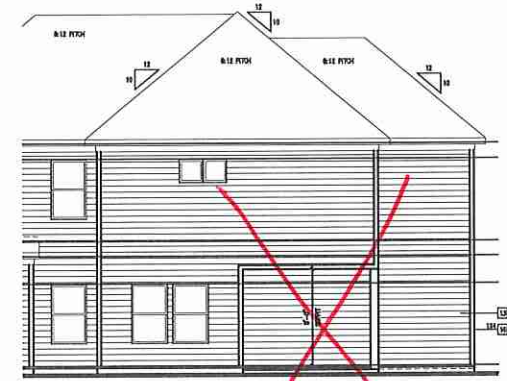
SIDING:

- 12 VINYL / OPT. FIBER CEMENT SHAKE SIDING (PER COMMUNITY STANDARDS) w/ 5/16" CORNER TRIM BOARDS.
- 13 VINYL / OPT. FIBER CEMENT LAP SIDING (PER COMMUNITY STANDARDS) w/ 5/16" CORNER TRIM BOARDS.
- 14 VINYL / OPT. FIBER CEMENT WAVE SIDING (PER COMMUNITY STANDARDS) w/ 5/16" CORNER TRIM BOARDS.
- 15 VINYL / OPT. FIBER CEMENT PANEL SIDING w/ 1X3 BAITS AT 12" O.C.
- 16 1X TRIM OR EQUAL, U.L.O. SIZE AS NOTED.
- 17 FALSE SHUTTERS, TYPE AS SHOWN. SIZE AS NOTED.

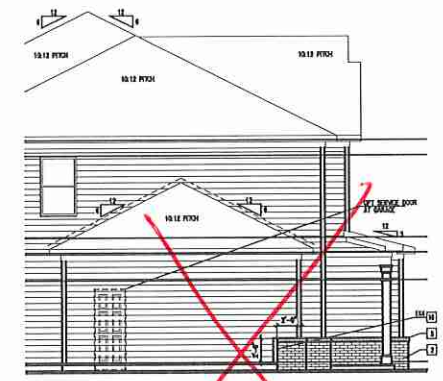
ALL WINDOWS WHOSE OPENING IS LESS THAN 24" ABOVE THE FINISH FLOOR AND WHOSE OPENING IS GREATER THAN 72" ABOVE THE OUTSIDE WALKING SURFACE MUST HAVE WINDOW OPENING LIMITING DEVICES COMPLYING WITH THE 2012 IRC SECTION R902.3 AND 902.4.



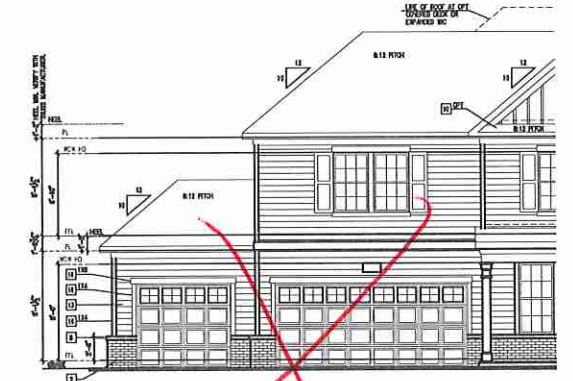
PARTIAL LEFT ELEVATION 'A' W/
 OPT EXPANDED WIC OVER PATIO



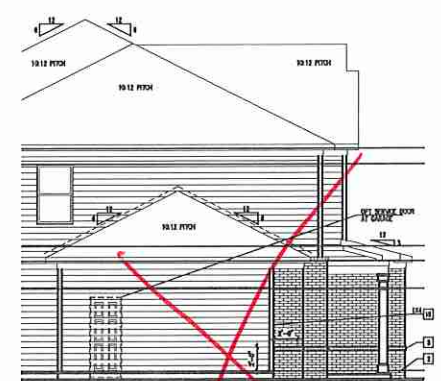
PARTIAL REAR ELEVATION 'A' W/
 OPT EXPANDED WIC OVER PATIO



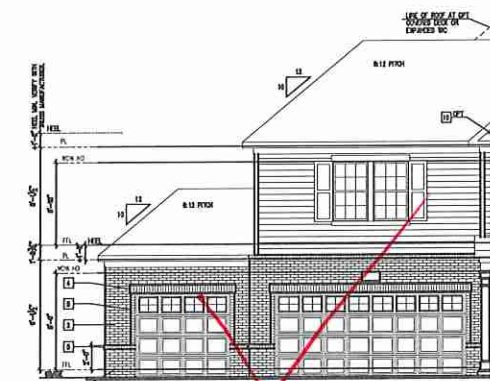
PARTIAL LEFT ELEVATION 'A' W/
 OPT 3-CAR FRONT LOAD GARAGE



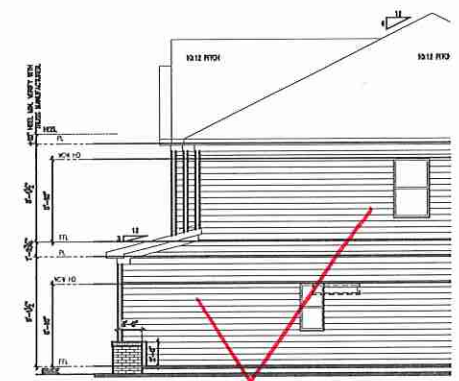
PARTIAL FRONT ELEVATION 'A' W/
 OPT 3-CAR FRONT LOAD GARAGE



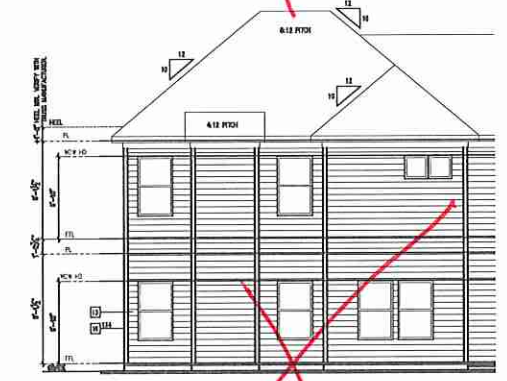
PARTIAL LEFT ELEVATION 'AB' W/
 OPT 3-CAR FRONT LOAD GARAGE



PARTIAL FRONT ELEVATION 'AB' W/
 OPT 3-CAR FRONT LOAD GARAGE



PARTIAL RIGHT ELEVATION
 W/ OPT. FIRE PLACE AT M.BED



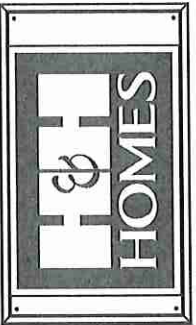
PARTIAL REAR ELEVATION W/
 OPT FIREPLACE AT M.BED

ISSUANCE OF PLANS FROM THIS DRAFTER'S OFFICE SHALL NOT RELIEVE THE BUILDER OF RESPONSIBILITY TO REVIEW AND VERIFY ALL NOTES, DIMENSIONS, AND ADHERENCE TO APPLICABLE BUILDING CODES PRIOR TO COMMENCEMENT OF ANY CONSTRUCTION.
 ANY DISCREPANCY OF ERROR IN NOTES, DIMENSIONS, OR ADHERENCE TO APPLICABLE BUILDING CODES SHALL BE BROUGHT TO THE ATTENTION OF THE DRAFTER'S OFFICE FOR CORRECTION BEFORE COMMENCEMENT OF ANY CONSTRUCTION.
 ANY REVISIONS OR CHANGES, NOT RELATED TO THE CORRECTION OF ERRORS THAT ARE MADE AFTER THE FINAL PLANS HAVE BEEN COMPLETED SHALL BE SUBJECT TO ADDITIONAL FEES.
 IF ANY MODIFICATIONS ARE MADE TO THESE PLANS BY ANY OTHER PARTY OTHER THAN THE DRAFTER'S OFFICE, THE DRAFTER SHALL NOT BE HELD RESPONSIBLE.

ELEVATION "A"

NOTE:
 SCALE IS 1/8" = 1'-0" IF PRINTED IN HALF SIZE
 SCALE IS 1/4" = 1'-0" IF PRINTED IN FULL SIZE

GARAGE LEFT



JOB NUMBER	27187.07
CAD FILE NAME	DOGWOOD-L
ISSUED	01/17/10
REVISED	03/18/10

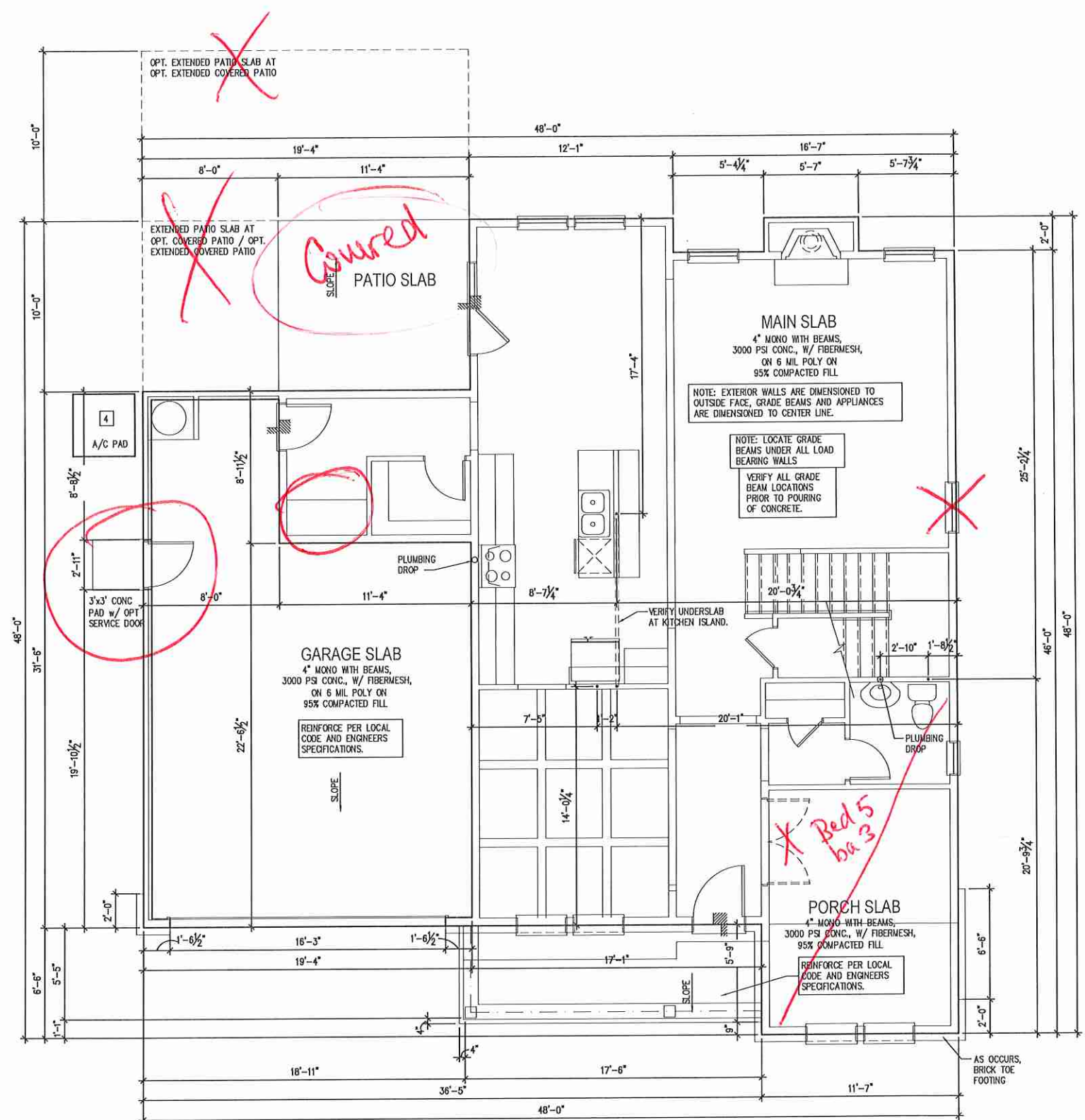
DRAWINGS ON 11"x17" SHEET ARE ONE HALF THE SCALE NOTED

DOGWOOD
H&H HOMES

TITLE
SLAB INTERFACE PLAN

SHEET
A1.0

CRAWL SPACE NOTES NORTH CAROLINA:	KEY NOTES:
<ul style="list-style-type: none"> - REFER TO STRUCTURAL DRAWINGS FOR INFORMATION NOT SHOWN ON THIS PLAN. - FOR ADDITIONAL NOTES SEE GENERAL NOTES ON TITLE SHEET AND DETAILS. - PROVIDE FRESHLOGGING (PER LOCAL CODES.) - ALL ELECTRICAL AND MECHANICAL EQUIPMENT AND METERS ARE SUBJECT TO RELOCATION DUE TO FIELD CONDITIONS, CONTRACTOR TO VERIFY. - VERIFY ALL DOOR THRESHOLD HEIGHTS TO HARD SURFACES. - 8 1/4" MAX AT INSURING DOORS. (PER NCRC SECTION R311.1.1.) - SLOPE ALL STOODS AND HANDSCAPE MATERIAL AWAY FROM BUILDING - TYPICAL. - SLOPE GARAGE FLOOR 1/8" PER FOOT TO GARAGE DOOR OPENING. - VERIFY CURB OUT BLOCKOUT WITH GARAGE DOOR MANUFACTURER. - REFER TO CIVIL DRAWINGS FOR FINISH SURFACE ELEVATIONS. - TOP STOOD AT RISING/SIDING DOORS, 36" DEEP BY THE WIDTH OF THE DOOR SERVED, MINIMUM (PER NCRC SECTION R311.1.3.) PROVIDE A SLIP-RESISTANT FINISH. - SOILS TREATMENT: BORACAXE TERANITE TO BE APPLIED TO FRAMING PER PRODUCT SPECIFICATIONS. PROVIDE CHEMICAL TREATMENT FOR PROTECTION FROM TERMITE INFESTATION ACCORDING TO LOCAL CODES.) - AT VENTED CRAWL SPACE: APPLY AN APPROVED VAPOR RETARDER OR EQUIVALENT, 6 MIL POLY-ETHYLENE GROUND COVER OVER FRESH GRADE OR CRAWL SPACE PER NCRC SECTION 408.2. - PROVIDE VENTS SPACED AROUND PERIMETER TO PROMOTE CROSS VENTILATION AT A RATE OF 1 SF VENT FOR EVERY 1500 SF OF CRAWL FLOOR AREA. ONE VENT MUST BE LOCATED WITHIN 5'-0" OF EACH CORNER OF THE BUILDING AND LOCATED TO ALLOW FOR CROSS VENTILATION. (PER NCRC SECTION R408.1.1 EXCEPTION.) - PROVIDE AN ACCESS OPENING, MINIMUM SIZE OF 18"x24" FOR CRAWL ACCESS. COORDINATE WITH MECHANICAL CONTRACTOR FOR LARGER SIZE REQUIREMENTS IF MECHANICAL EQUIPMENT IS LOCATED IN CRAWL. (PER NCRC SECTION 408.4.) - WOOD CONTACTING CONCRETE OR MASONRY OR LESS THAN CODE REQUIRED. SEPARATION TO GRADE SHALL BE PRESSURE TREATED OR FOUNDATION GRADE REDWOOD. SET ALL EXTERIOR WALL SHALL IN MASTIC. 	<ul style="list-style-type: none"> □ LINE OF SLAB ABOVE □ LINE OF FRAMED WALL ABOVE □ 14"x20" CRAWL SPACE VENT □ CRAWL SPACE ACCESS PANEL □ A/C CONDENSER PAD. (VERIFY) □ TYPICAL CRAWL FOUNDATION WALL SHALL BE 8" CMU OR A COMBINATION OF 4" CMU WITH NOMINAL 4" BRICK. SEE STRUCTURAL DRAWINGS FOR ALL STRUCTURAL ATTACHMENTS. ALL BLOCK CELLS AND SPACE BETWEEN BLOCK AND BRICK SHALL BE FILLED SOLID WITH CONCRETE. FOUNDATION WALL WITH FULL HEIGHT BRICK VENEER SHALL CONSIST OF 8" CMU WITH NOMINAL 4" BRICK. SEE STRUCTURAL DRAWINGS FOR ALL STRUCTURAL ATTACHMENTS AND BRICK TIE SPACING. FILL VOID SPACE TO TOP OF CMU WALL. (MUST COMPLY WITH NCRC SECTION R404, TABLE R404.1.1(1) THROUGH R404.1.1(4) AND APPLICABLE SECTIONS OF RCES, RCES, RCES, RCES. VERIFY WITH STRUCTURAL DRAWINGS FOR WALL FOOTING SIZE AND DETAIL.

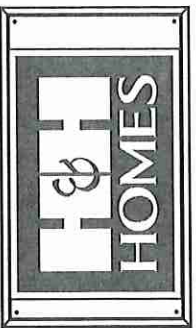


ISSUANCE OF PLANS FROM THIS DRAFTER'S OFFICE SHALL NOT RELIEVE THE BUILDER OF RESPONSIBILITY TO REVIEW AND VERIFY ALL NOTES, DIMENSIONS, AND ADHERENCE TO APPLICABLE BUILDING CODES PRIOR TO COMMENCEMENT OF ANY CONSTRUCTION. ANY DISCREPANCY OF ERROR IN NOTES, DIMENSIONS, OR ADHERENCE TO APPLICABLE BUILDING CODES SHALL BE BROUGHT TO THE ATTENTION OF THE DRAFTER'S OFFICE FOR CORRECTION BEFORE COMMENCEMENT OF ANY CONSTRUCTION. ANY REVISIONS OR CHANGES, NOT RELATED TO THE CORRECTION OF ERRORS THAT ARE MADE AFTER THE FINAL PLANS HAVE BEEN COMPLETED SHALL BE SUBJECT TO ADDITIONAL FEES. IF ANY MODIFICATIONS ARE MADE TO THESE PLANS BY ANY OTHER PARTY OTHER THAN THE DRAFTER'S OFFICE, THE DRAFTER SHALL NOT BE HELD RESPONSIBLE.

FOUNDATION PLAN

NOTE:
SCALE IS 1/8" = 1'-0" IF PRINTED IN HALF SIZE
SCALE IS 1/4" = 1'-0" IF PRINTED IN FULL SIZE

GARAGE LEFT



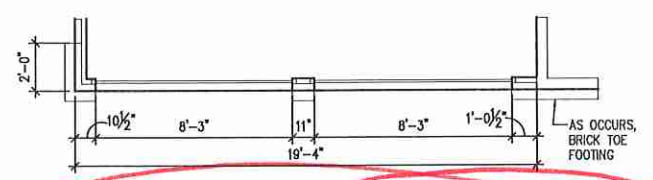
* JOB NUMBER	27187.07
CAD FILE NAME	DOGWOOD-1
ISSUED	01/17/10
REVISED	03/18/10

DRAWINGS ON 11"x17" SHEET ARE ONE HALF THE SCALE NOTED

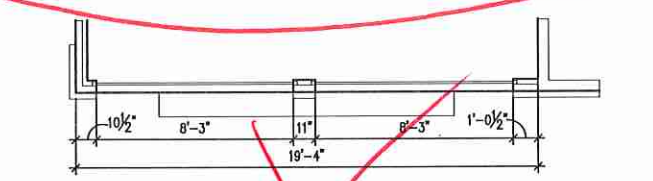
DOGWOOD
H&H HOMES

TITLE
SLAB INTERFACE PLAN
AT PLAN OPTIONS

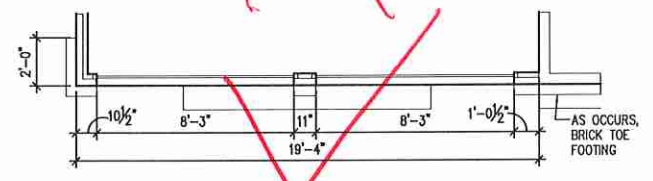
SHEET
A1.8



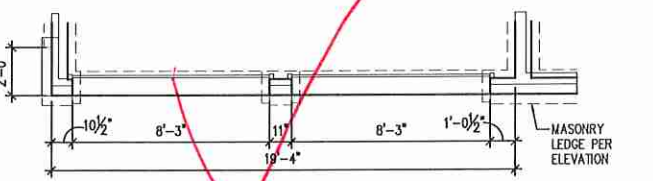
OPT. 2 DOOR GARAGE 'A'



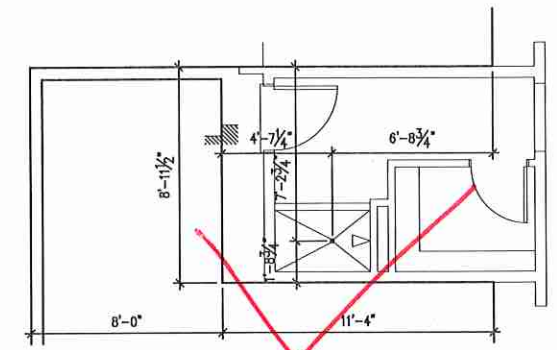
OPT. 2 DOOR GARAGE 'B'



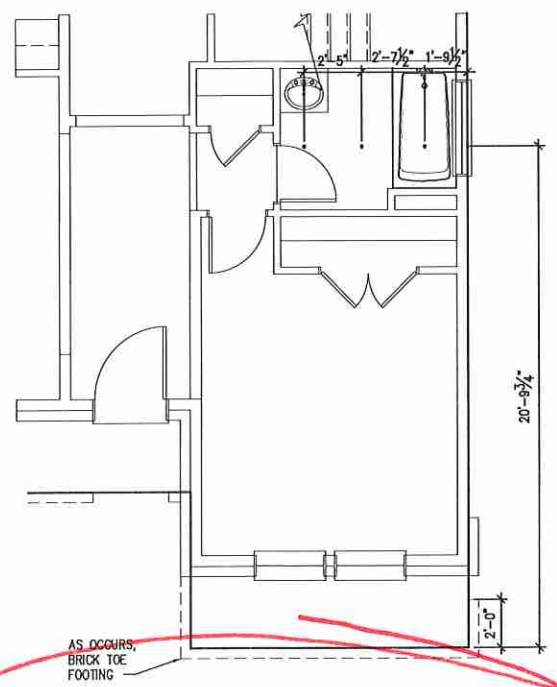
OPT. 2 DOOR GARAGE 'C'



OPT. 2 DOOR GARAGE



OPT. PET SHOWER



OPT. BED 5 / BATH 3

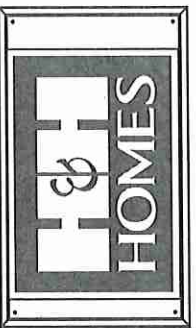
CRAWL SPACE NOTES NORTH CAROLINA:	KEY NOTES:
- REFER TO STRUCTURAL DRAWINGS FOR INFORMATION NOT SHOWN ON THIS PLAN.	[] LINE OF SLAB ABOVE
- FOR ADDITIONAL NOTES SEE GENERAL NOTES ON TITLE SHEET AND DETAILS.	[] LINE OF FRAMED WALL ABOVE
- PROVIDE FRESH AIR (PER LOCAL CODES).	[] 16"X8" CRAWL SPACE VENT
- ALL ELECTRICAL AND MECHANICAL EQUIPMENT AND METERS ARE SUBJECT TO RELOCATION DUE TO FIELD CONDITIONS, CONTRACTOR TO VERIFY.	[] CRAWL SPACE ACCESS PANEL
- VERIFY ALL DOOR THRESHOLD HEIGHTS TO HARD SURFACES.	[] A/C CONDENSER PAD. (VERIFY)
- 8 1/4" MAX AT INSURING DOORS. (PER NRC SECTION R311.3.1.1)	[] TYPICAL CRAWL FOUNDATION WALL SHALL BE 8" CMU OR A COMBINATION OF 4" CMU WITH NOMINAL 4" BRICK. SEE STRUCTURAL DRAWINGS FOR ALL STRUCTURAL ATTACHMENTS. ALL BLOCK CELLS AND SPACE BETWEEN BLOCK AND BRICK SHALL BE FILLED SOLID WITH CONCRETE.
- SLOPE ALL STODPS AND HANDSCAPE MATERIAL AWAY FROM BUILDING - TYPICAL.	- FOUNDATION WALL WITH FULL HEIGHT BRICK VENEER SHALL CONSIST OF 8" CMU WITH NOMINAL 4" BRICK. SEE STRUCTURAL DRAWINGS FOR ALL STRUCTURAL ATTACHMENTS AND BRICK TIE SPACING.
- SLOPE GARAGE FLOOR 1/8" PER FOOT TO GARAGE DOOR OPENING.	- FULL VENTS SOLID TO TOP OF CMU WALL (MUST COMPLY WITH NRC SECTION R404, TABLE R404.1.1(1) THROUGH R404.1.1(4) AND APPLICABLE SECTIONS OF 2006, 2007, 2009).
- VERIFY CURB OUT BLOOKOUT WITH GARAGE DOOR MANUFACTURER.	- VERIFY WITH STRUCTURAL DRAWINGS FOR WALL FOOTING SIZE AND DEPTH.
- REFER TO CIVIL DRAWINGS FOR FINISH SURFACE ELEVATIONS.	
- TIP STOOD AT INSURING/SLIDER DOORS. 36" DEEP BY THE WIDTH OF THE DOOR SERVED, MINIMUM (PER NRC SECTION R311.3.3) PROVIDE A SLIP-RESISTANT FINISH.	
- SOILS TREATMENT: BORACARE TERMITICIDE TO BE APPLIED TO FRAMING PER PRODUCT SPECIFICATIONS. (PROVIDE CHEMICAL TREATMENT FOR PROTECTION FROM TERMITIC INFESTATION ACCORDING TO LOCAL CODES.)	
- AT VENTED CRAWL SPACE: APPLY AN APPROVED VAPOR BARRIER OR EQUIVALENT, 8 MIL POLY-VINYL, GROUND COVER OVER FINISH GRADE OR CRAWL SPACE PER NRC SECTION 408.2.	
- PROVIDE VENTS SPACED AROUND PERIMETER TO PROMOTE CROSS VENTILATION AT A RATE OF 1 SF VENT FOR EVERY 1500 SF OF CRAWL FLOOR AREA. ONE VENT MUST BE LOCATED WITHIN 3'-0" OF EACH CORNER OF THE BUILDING AND LOCATED TO ALLOW FOR CROSS VENTILATION. (PER NRC SECTION R408.1.1 EXCEPTION)	
- PROVIDE AN ACCESS OPENING, MINIMUM SIZE OF 16"X24" FOR CRAWL ACCESS. COORDINATE WITH MECHANICAL CONTRACTOR FOR LARGER SIZE REQUIREMENTS IF MECHANICAL EQUIPMENT IS LOCATED IN CRAWL. (PER NRC SECTION 408.4)	
- WOOD CONTACTING CONCRETE OR MASONRY OR LESS THAN CODE REQUIRED SEPARATION TO GRADE SHALL BE PRESSURE TREATED OR FOUNDATION GRADE REDWOOD. SET ALL EXTERIOR WALL SILLS IN MASTIC.	

ISSUANCE OF PLANS FROM THIS DRAFTER'S OFFICE SHALL NOT RELIEVE THE BUILDER OF RESPONSIBILITY TO REVIEW AND VERIFY ALL NOTES, DIMENSIONS, AND ADHERENCE TO APPLICABLE BUILDING CODES PRIOR TO COMMENCEMENT OF ANY CONSTRUCTION.
 ANY DISCREPANCY OF ERROR IN NOTES, DIMENSIONS, OR ADHERENCE TO APPLICABLE BUILDING CODES SHALL BE BROUGHT TO THE ATTENTION OF THE DRAFTER'S OFFICE FOR CORRECTION BEFORE COMMENCEMENT OF ANY CONSTRUCTION.
 ANY REVISIONS OR CHANGES, NOT RELATED TO THE CORRECTION OF ERRORS THAT ARE MADE AFTER THE FINAL PLANS HAVE BEEN COMPLETED SHALL BE SUBJECT TO ADDITIONAL FEES.
 IF ANY MODIFICATIONS ARE MADE TO THESE PLANS BY ANY OTHER PARTY OTHER THAN THE DRAFTER'S OFFICE, THE DRAFTER SHALL NOT BE HELD RESPONSIBLE.

FOUNDATION OPTION

NOTE:
SCALE IS 1/8" = 1'-0" IF PRINTED IN HALF SIZE
SCALE IS 1/4" = 1'-0" IF PRINTED IN FULL SIZE

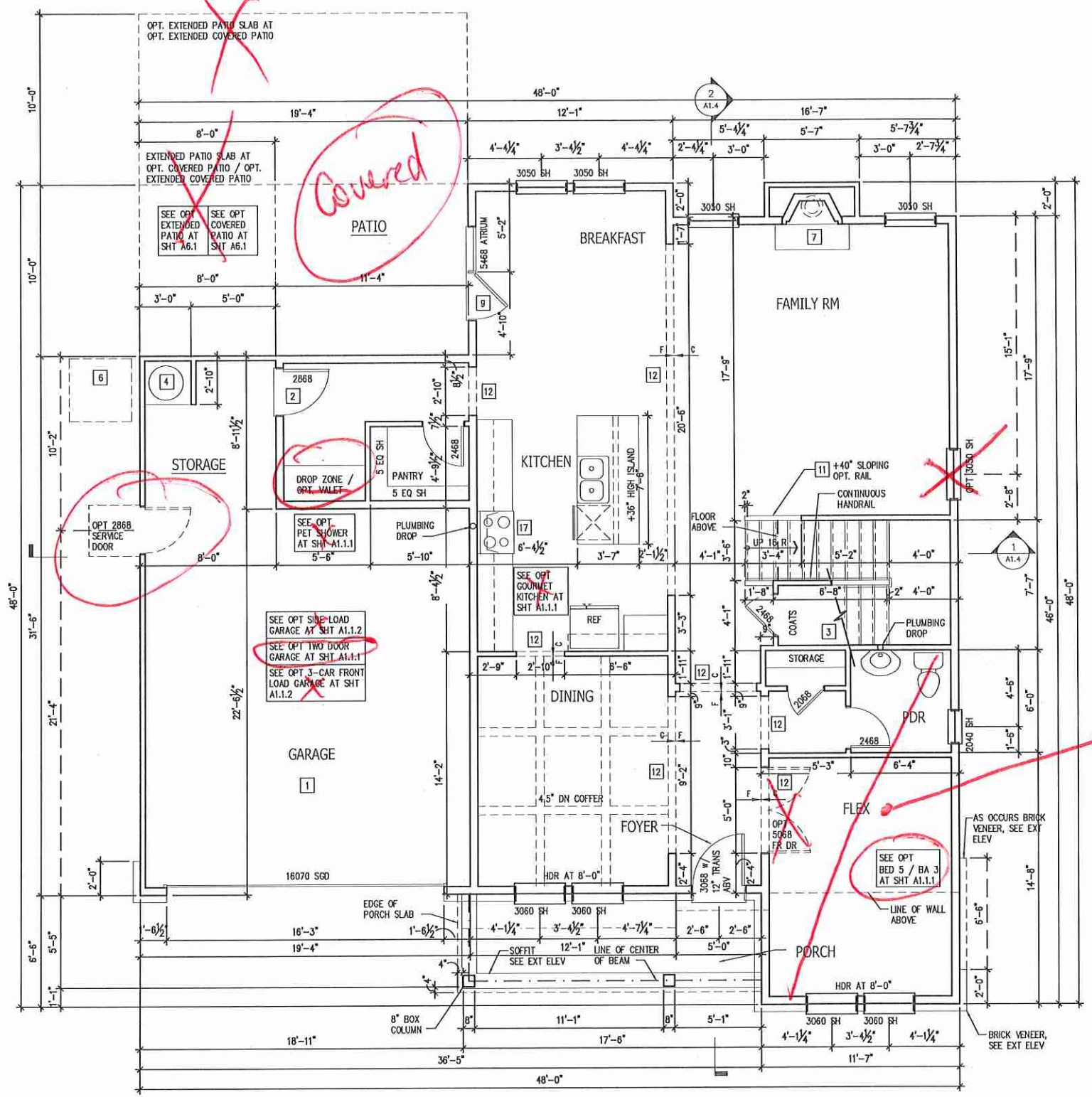
GARAGE LEFT



*JOB NUMBER	27187.07
CAD FILE NAME	DOGWOOD-1
ISSUED	01/17/10
REVISED	03/18/10

DRAWINGS ON 11"x17" SHEET ARE ONE HALF THE SCALE NOTED

- FOR ADDITIONAL NOTES SEE GENERAL NOTES ON TITLE SHEET AND DETAILS.
 WINDOW HEAD HEIGHTS:
 1ST FLOOR = 6'-10" U.L.O. ON ELEVATIONS.
 2ND FLOOR = 6'-10" U.L.O. ON ELEVATIONS.
- ALL DIMENSIONS TO WINDOWS AND DOORS ARE TO CENTERLINE.
- KEY NOTES FOR NORTH CAROLINA:**
- FIRE PROTECTION:**
- HOUSE TO GARAGE FIRE SEPARATION, GARAGE/HOUSE SEPARATION AT VERTICAL SURFACES SHALL BE PROTECTED WITH ONE (1) LAYER 1/2" GYPSUM BOARD. (PER NIRC TABLE R302.4.)
 - GARAGE/HOUSE SEPARATION AT HORIZONTAL SURFACES SHALL BE PROTECTED WITH ONE (1) LAYER 5/8" TYPE "X" GYPSUM BOARD. (PER NIRC TABLE R302.6.)
 - HOUSE TO GARAGE DOOR SEPARATION PROVIDE 1-3/8" SOLID CORE DOOR ON APPROX 20 MINUTE RATED DOOR. (PER NIRC SECTION R302.5.1.)
 - BENEATH STAIRS AND LANDINGS, 1/2" GYPSUM BOARD ON WALLS AND CEILING OF ENCLOSED ACCESSIBLE AREAS. (PER NIRC SECTION R302.7.) IN CONCEALED SPACES BETWEEN STAIR STRINGERS PROVIDE FIRELOOKING PER R302.11.
 - MEP'S
 - ELECT. / OPT. GAS WATER HEATER ON 18" HIGH PLATFORM. (PER CHAPTER 5 NIRC-PLUMBING)
 - FAN 8"x8" PLATFORM VERIFY WITH TRUSS MANUFACTURER. (6'-0" MIN. CLEAR HEIGHT TO HORIZONTAL MEMBERS, 2"x6" OVER 2"x4" BOTTOM CHORD. OF TRUSS, VERIFY W/ TRUSSES.)
 - A/C CONDENSER P.A.D. (VERIFY LOCATION)
 - PRE-FABRICATED METAL FIREPLACE. INSTALL PER MANUFACTURER'S WRITTEN INSTRUCTIONS.
 - ATRIC ACCESS LARGE ENOUGH TO REMOVE LARGEST PIECE OF EQUIPMENT BUT NOT LESS THAN 30" DIA. FIRE RATED ACCESS AS NOTED. (PER NIRC SECTION R807.) ATRIC ACCESS LADDER, VERIFY LOCATION AND SIZE WITH TRUSSES. (25 1/2" X 54" SIZE) TYPICALS.
 - TEMPERED SAFETY GLASS. (PER NIRC SECTION 308.4)
 - PLYWOOD SHELF ABOVE WITH DRYWALL FINISH OVER. HEIGHT AS NOTED.
 - HALF WALL, HEIGHT AS NOTED.
 - INTERIOR SOFFITS: FTL = 8'-1" U.L.O. SFL = 7'-5" U.L.O.
- BATHS:**
- SHOWER, TEMPERED GLASS ENCLOSURE.
 - TUB-SHOWER COMBO, TEMPERED GLASS ENCLOSURE.
 - CERAMIC TILE SHOWER AND FLOOR, TEMPERED GLASS ENCLOSURE.
 - ACRYLIC TUB W/ CERAMIC PLATFORM KITCHEN:
 - 30" SLIDE-IN ELECTRIC / OPT. GAS RANGE W/ HOOD AND MICRO ABV. VENT PER MANUFACTURER'S WRITTEN INSTRUCTIONS.
 - 30" ELECTRIC / OPT. GAS COOKTOP w/ HOOD OR MICRO/HOOD COMBO ABV. VENT PER MANUFACTURER'S WRITTEN INSTRUCTIONS.
 - ELECTRIC OVEN w/ MICROWAVE OVEN OR ELECTRIC DOUBLE OVEN.



1ST FLOOR PLAN 'A'

ISSUANCE OF PLANS FROM THIS DRAFTER'S OFFICE SHALL NOT RELIEVE THE BUILDER OF RESPONSIBILITY TO REVIEW AND VERIFY ALL NOTES, DIMENSIONS, AND ADHERENCE TO APPLICABLE BUILDING CODES PRIOR TO COMMENCEMENT OF ANY CONSTRUCTION.
 ANY DISCREPANCY OF ERROR IN NOTES, DIMENSIONS, OR ADHERENCE TO APPLICABLE BUILDING CODES SHALL BE BROUGHT TO THE ATTENTION OF THE DRAFTER'S OFFICE FOR CORRECTION BEFORE COMMENCEMENT OF ANY CONSTRUCTION.
 ANY REVISIONS OR CHANGES, NOT RELATED TO THE CORRECTION OF ERRORS THAT ARE MADE AFTER THE FINAL PLANS HAVE BEEN COMPLETED SHALL BE SUBJECT TO ADDITIONAL FEES.
 IF ANY MODIFICATIONS ARE MADE TO THESE PLANS BY ANY OTHER PARTY OTHER THAN THE DRAFTER'S OFFICE, THE DRAFTER SHALL NOT BE HELD RESPONSIBLE.

MAIN FLOOR PLAN

NOTE:
 SCALE IS 1/8" = 1'-0" IF PRINTED IN HALF SIZE
 SCALE IS 1/4" = 1'-0" IF PRINTED IN FULL SIZE

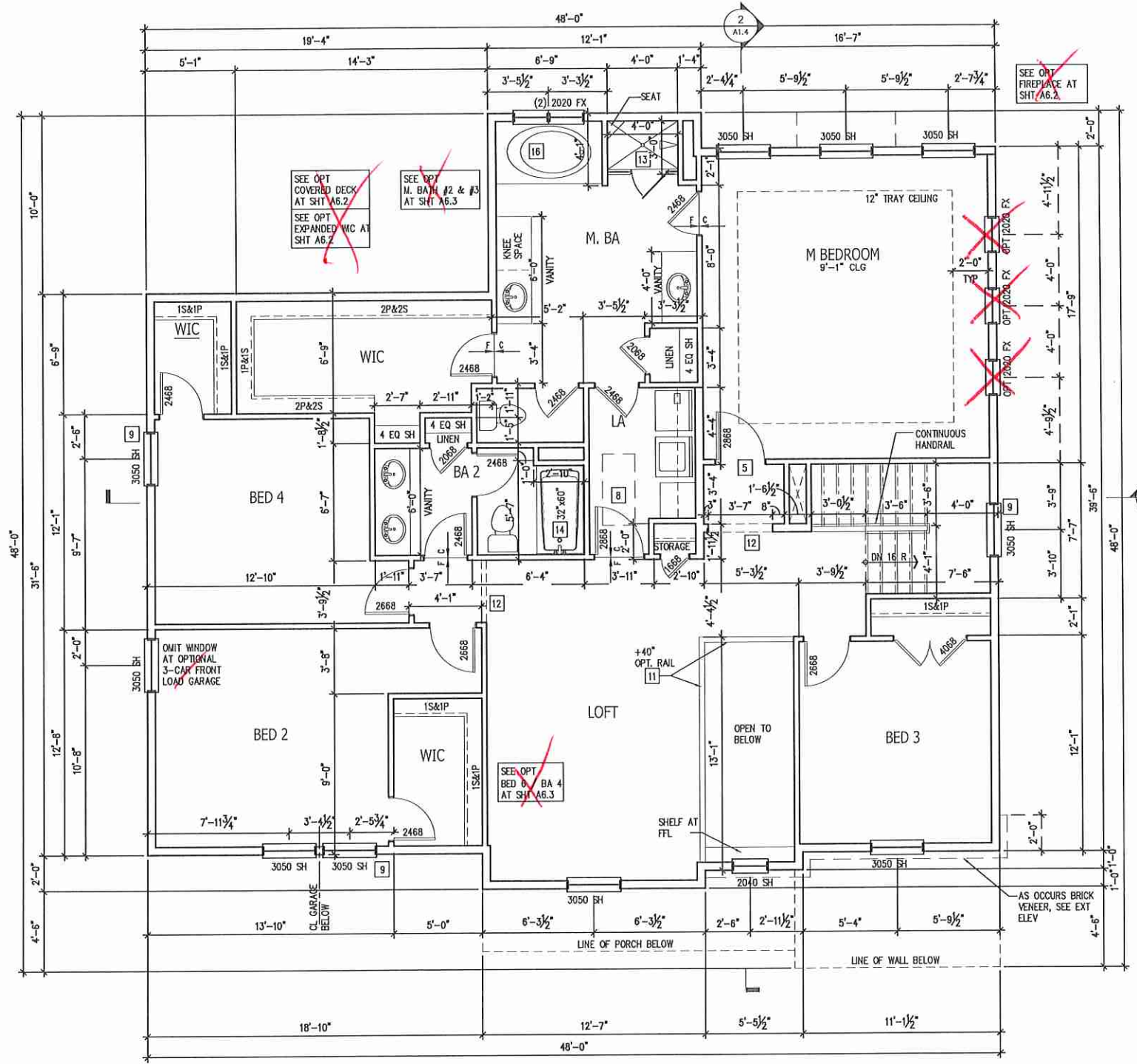
GARAGE LEFT

DOGWOOD
 H&H HOMES

TITLE
 MAIN FLOOR PLAN
 STAIR SECTION

SHEET
 A2.0

- FOR ADDITIONAL NOTES SEE GENERAL NOTES ON TITLE SHEET AND DETAILS.
 WINDOW HEAD HEIGHTS:
 1ST FLOOR = 6'-10" U.L.O. ON ELEVATIONS.
 2ND FLOOR = 6'-10" U.L.O. ON ELEVATIONS.
- ALL DIMENSIONS TO WINDOWS AND DOORS ARE TO CENTERLINE.
- KEY NOTES FOR NORTH CAROLINA:**
- FIRE PROTECTION:**
- HOUSE TO GARAGE FIRE SEPARATION, GARAGE/HOUSE SEPARATION AT VERTICAL SURFACES SHALL BE PROTECTED WITH ONE (1) LAYER 1/2" GYPSUM BOARD. (PER NRC TABLE R302.6.) GARAGE/HOUSE SEPARATION AT HORIZONTAL SURFACES SHALL BE PROTECTED WITH ONE (1) LAYER 5/8" TYPE "X" GYPSUM BOARD. (PER NRC TABLE R302.6.)
 - HOUSE TO GARAGE DOOR SEPARATION PROVIDE 1-3/8" SOLID CORE DOOR OR APPROVED 20 MINUTE RATED DOOR. (PER NRC SECTION R302.5.1.)
 - BENEATH STAIRS AND LANDINGS, 1/2" GYPSUM BOARD ON WALLS AND CEILING OF ENCLOSED ACCESSIBLE AREAS. (PER NRC SECTION R302.7.) IN CONCEALED SPACES BETWEEN STAIR STRINGERS PROVIDE FIRELOOKING PER R302.11.
 - ELECT. / OPT. GAS WATER HEATER ON 18" HIGH PLATFORM. (PER CHAPTER 5 NRC-PLUMBING)
 - FAN ROOM PLATFORM, VERIFY WITH TRUSS MANUFACTURER. (5'-6" MIN. CLEAR HEIGHT TO HORIZONTAL MEMBERS, 2"X6" OVER 2"X4" BOTTOM CHORD, OF TRUSS, VERIFY W/ TRUSSES.)
 - A/C CONDENSER PAD. (VERIFY LOCATION)
 - PRE-FABRICATED METAL FIREPLACE. INSTALL PER MANUFACTURER'S WRITTEN INSTRUCTIONS.
 - ATTIC ACCESS LARGE ENOUGH TO REMOVE LARGEST PIECE OF EQUIPMENT BUT NOT LESS THAN 30"X20". FIRE RATED ACCESS AS NOTED. (PER NRC SECTION R702.1.) ATTIC ACCESS LADDER, VERIFY LOCATION AND SIZE WITH TRUSSES. (25 1/2" X 54" SIZE) TYPICALS.
 - TEMPERED SAFETY GLASS. (PER NRC SECTION 308.4)
 - PLYWOOD SHELF ABOVE WITH DRYWALL FINISH OVER HEIGHT AS NOTED.
 - HALF WALL, HEIGHT AS NOTED.
 - INTERIOR SOFFITS: FTL = 8'-1" U.L.O. SFL = 7'-6" U.L.O.
- BATHS:**
- SHOWER: TEMPERED GLASS ENCLOSURE.
 - TUB-SHOWER COMBO: TEMPERED GLASS ENCLOSURE.
 - CERAMIC TILE SHOWER AND FLOOR: TEMPERED GLASS ENCLOSURE.
 - ACRYLIC TUB W/ CERAMIC PLATFORM WITH TUB.
 - 30" SLEEV-IN ELECTRIC / OPT. GAS RANGE W/ HOOD AND MICRO ABR. VENT PER MANUFACTURER'S WRITTEN INSTRUCTIONS.
 - 30" ELECTRIC / OPT. GAS COOKTOP W/ HOOD OR MICRO/HOOD COMBO ABR. VENT PER MANUFACTURER'S WRITTEN INSTRUCTIONS.
 - ELECTRIC OVEN W/ MICROWAVE OVEN OR ELECTRIC DOUBLE OVEN.



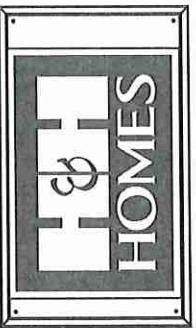
2ND FLOOR PLAN 'A'

ISSUANCE OF PLANS FROM THIS DRAFTER'S OFFICE SHALL NOT RELIEVE THE BUILDER OF RESPONSIBILITY TO REVIEW AND VERIFY ALL NOTES, DIMENSIONS, AND ADHERENCE TO APPLICABLE BUILDING CODES PRIOR TO COMMENCEMENT OF ANY CONSTRUCTION.
 ANY DISCREPANCY OF ERROR IN NOTES, DIMENSIONS, OR ADHERENCE TO APPLICABLE BUILDING CODES SHALL BE BROUGHT TO THE ATTENTION OF THE DRAFTER'S OFFICE FOR CORRECTION BEFORE COMMENCEMENT OF ANY CONSTRUCTION.
 ANY REVISIONS OR CHANGES, NOT RELATED TO THE CORRECTION OF ERRORS THAT ARE MADE AFTER THE FINAL PLANS HAVE BEEN COMPLETED SHALL BE SUBJECT TO ADDITIONAL FEES.
 IF ANY MODIFICATIONS ARE MADE TO THESE PLANS BY ANY OTHER PARTY OTHER THAN THE DRAFTER'S OFFICE, THE DRAFTER SHALL NOT BE HELD RESPONSIBLE.

UPPER FLOOR PLAN

NOTE:
 SCALE IS 1/8" = 1'-0" IF PRINTED IN HALF SIZE
 SCALE IS 1/4" = 1'-0" IF PRINTED IN FULL SIZE

GARAGE LEFT



JOB NUMBER	27187.07
CAD FILE NAME	DOGWOOD-L
ISSUED	01/17/19
REVISED	03/18/19

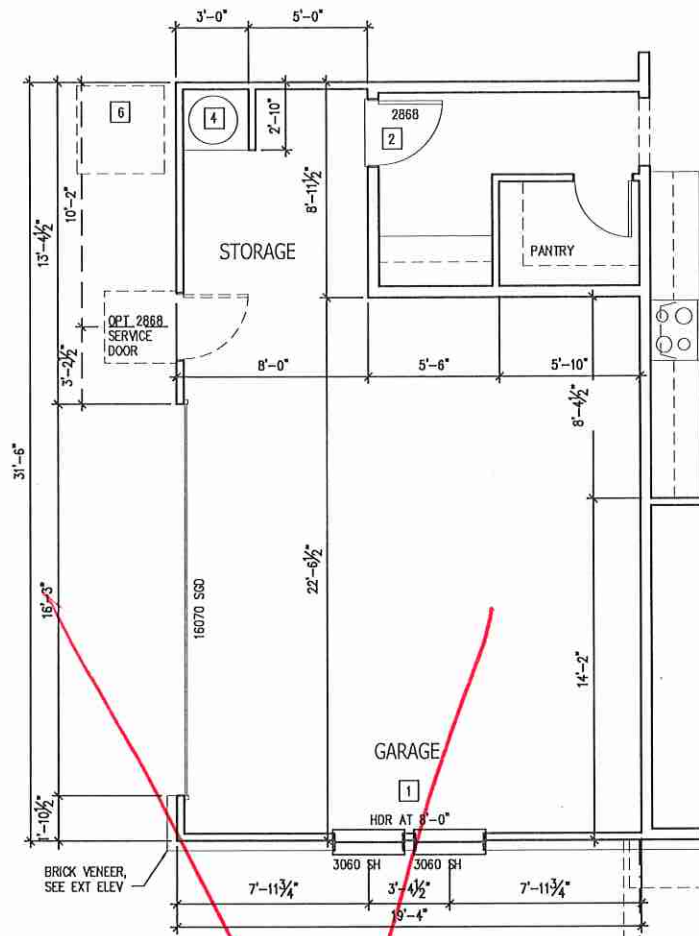
DRAWINGS ON 11"x17" SHEET ARE ONE HALF THE SCALE NOTED

DOGWOOD
H&H HOMES

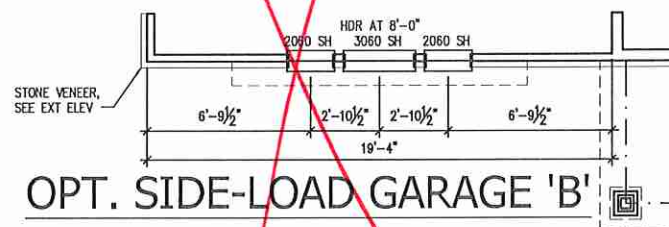
TITLE
 MAIN FLOOR PLAN
 STAR SECTION

SHEET
A2.3

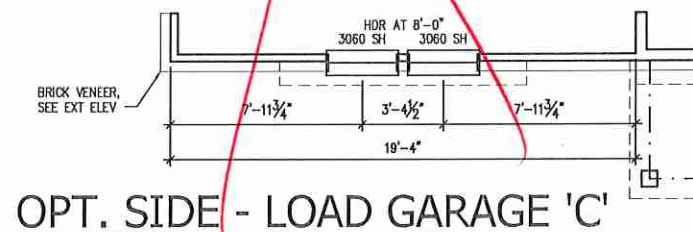
- FOR ADDITIONAL NOTES SEE GENERAL NOTES ON TITLE SHEET AND DETAILS.
- WINDOW HEAD HEIGHTS:
1ST FLOOR = 6'-10" U.A.O. ON ELEVATIONS.
2ND FLOOR = 6'-10" U.A.O. ON ELEVATIONS.
- ALL DIMENSIONS TO WINDOWS AND DOORS ARE TO CENTERLINE.
- KEY NOTES FOR NORTH CAROLINA:**
- FIRE PROTECTION:**
- HOUSE TO GARAGE FIRE SEPARATION. GARAGE/HOUSE SEPARATION AT VERTICAL SURFACES SHALL BE PROTECTED WITH ONE (1) LAYER 1/2" GYPSUM BOARD. (PER NCRC TABLE R302.6.) GARAGE/HOUSE SEPARATION AT HORIZONTAL SURFACES SHALL BE PROTECTED WITH ONE (1) LAYER 5/8" TYPE "X" GYPSUM BOARD. (PER NCRC TABLE R302.6.)
 - HOUSE TO GARAGE DOOR SEPARATION. PROVIDE 1-3/8" SOLID CORE DOOR OR APPROVED 20 MINUTE RATED DOOR. (PER NCRC SECTION R302.5.1.)
 - BENEATH STAIRS AND LANDINGS. 1/2" GYPSUM BOARD ON WALLS AND CEILING OF ENCLOSED ACCESSIBLE AREAS. (PER NCRC SECTION R302.7.) IN CONCEALED SPACES BETWEEN STAIR STRINGERS PROVIDE FIREBLOCKING PER R302.11 MEPS.
 - ELECT. / OPT. GAS WATER HEATER ON 18" HIGH PLATFORM. (PER CHAPTER 5 MEPC-FLOORING)
 - FAU 8"x8" PLATFORM VERIFY WITH TRUSS MANUFACTURER. (6'-6" MIN. CLEAR HEIGHT TO HORIZONTAL MEMBERS, 2"x6" OVER 2"x4" BOTTOM CHORD. OF TRUSS, VERIFY W/ TRUSSES.)
 - A/C CONDENSER PAD. (VERIFY LOCATION)
 - PRE-FABRICATED METAL FIREPLACE. INSTALL PER MANUFACTURER'S WRITTEN INSTRUCTIONS.
 - ATTIC ACCESS LARGE ENOUGH TO REMOVE LARGEST PIECE OF EQUIPMENT BUT NOT LESS THAN 30"x30". FIRE RATED ACCESS AS NOTED. (PER NCRC SECTION R107.) ATTIC ACCESS LADDER. VERIFY LOCATION AND SIZE WITH TRUSSES. (2" 1/2" X 54" SIZE.) TYPICALS.
 - TEMPERED SAFETY GLASS. (PER NCRC SECTION 308.4)
 - PLYWOOD SHELF ABOVE WITH DRYWALL FINISH OVER. HEIGHT AS NOTED.
 - HALF WALL, HEIGHT AS NOTED.
 - INTERIOR SOFFIT. FTL = 8'-1" U.A.O. SFL = 7'-6" U.A.O. BARS.
 - SHOWER. TEMPERED GLASS ENCLOSURE.
 - TUB-SHOWER COMBO. TEMPERED GLASS ENCLOSURE.
 - CERAMIC TILE SHOWER AND FLOOR. TEMPERED GLASS ENCLOSURE.
 - ACRYLIC TUB W/ CERAMIC PLATFORM KITCHEN.
 - 30" SLIDE-IN ELECTRIC / OPT. GAS RANGE W/ HOOD AND MICRO ADV. VENT PER MANUFACTURER'S WRITTEN INSTRUCTIONS.
 - 30" ELECTRIC / OPT. GAS COOKTOP W/ HOOD OR MICRO/HOOD COMBO ADV. VENT PER MANUFACTURER'S WRITTEN INSTRUCTIONS.
 - ELECTRIC OVEN W/ MICROWAVE OVEN OR ELECTRIC DOUBLE OVEN.



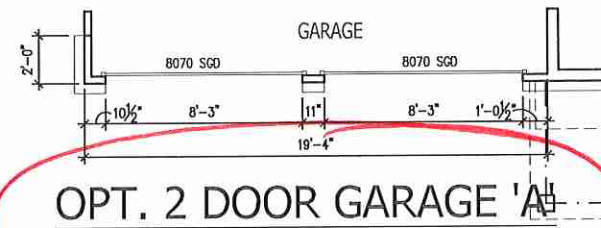
OPT. SIDE-LOAD GARAGE 'A'



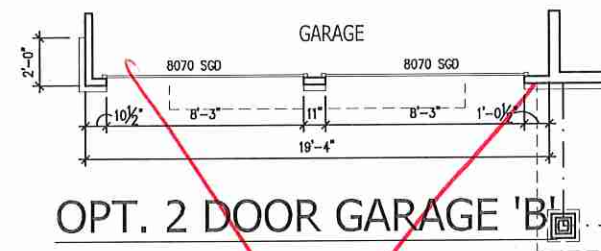
OPT. SIDE-LOAD GARAGE 'B'



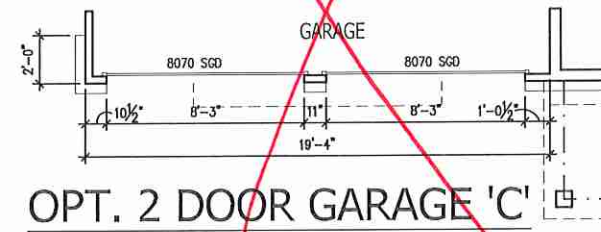
OPT. SIDE-LOAD GARAGE 'C'



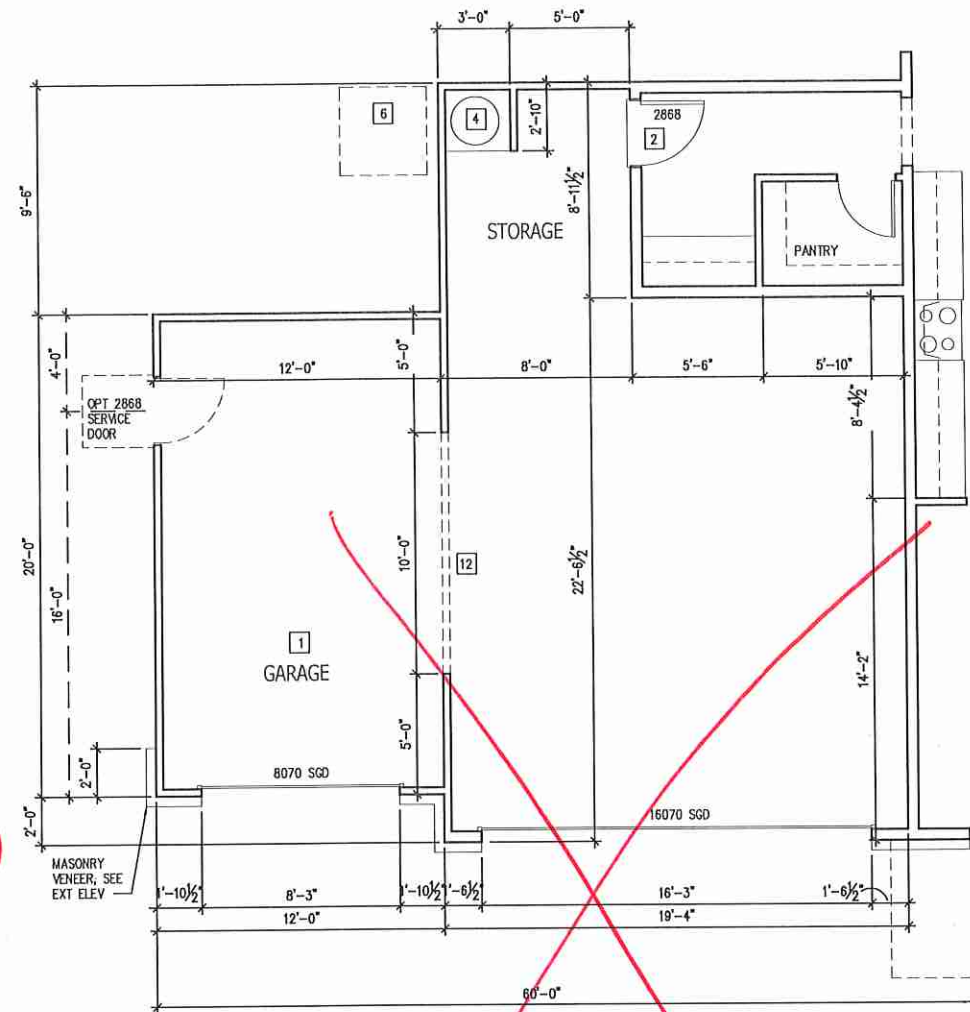
OPT. 2 DOOR GARAGE 'A'



OPT. 2 DOOR GARAGE 'B'



OPT. 2 DOOR GARAGE 'C'



OPTIONAL 3-CAR GARAGE - FRONT LOAD

ISSUANCE OF PLANS FROM THIS DRAFTER'S OFFICE SHALL NOT RELIEVE THE BUILDER OF RESPONSIBILITY TO REVIEW AND VERIFY ALL NOTES, DIMENSIONS, AND ADHERENCE TO APPLICABLE BUILDING CODES PRIOR TO COMMENCEMENT OF ANY CONSTRUCTION.

ANY DISCREPANCY OF ERROR IN NOTES, DIMENSIONS, OR ADHERENCE TO APPLICABLE BUILDING CODES SHALL BE BROUGHT TO THE ATTENTION OF THE DRAFTER'S OFFICE FOR CORRECTION BEFORE COMMENCEMENT OF ANY CONSTRUCTION.

ANY REVISIONS OR CHANGES, NOT RELATED TO THE CORRECTION OF ERRORS THAT ARE MADE AFTER THE FINAL PLANS HAVE BEEN COMPLETED SHALL BE SUBJECT TO ADDITIONAL FEES.

IF ANY MODIFICATIONS ARE MADE TO THESE PLANS BY ANY OTHER PARTY OTHER THAN THE DRAFTER'S OFFICE, THE DRAFTER SHALL NOT BE HELD RESPONSIBLE.

MAIN FLOOR OPTIONS

NOTE:
SCALE IS 1/8" = 1'-0" IF PRINTED IN HALF SIZE
SCALE IS 1/4" = 1'-0" IF PRINTED IN FULL SIZE

GARAGE LEFT



JOB NUMBER 27167.07
CAD FILE NAME DOGWOOD-1
ISSUED 01/17/19
REVISED 03/18/19

DRAWINGS ON 11"x17" SHEET ARE ONE HALF THE SCALE NOTED

DOGWOOD
H&H HOMES

TITLE
MAIN FLOOR PLAN
STAR SECTION

SHEET
A6.0



JOB NUMBER	27187.07
CAD FILE NAME	DOGWOOD-L
ISSUED	01/17/10
REVISED	03/18/10

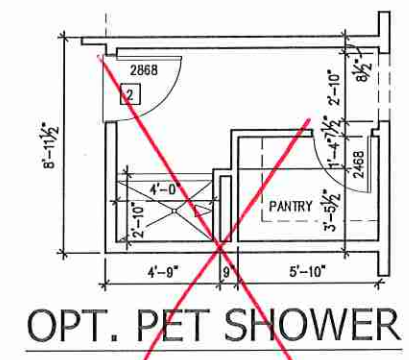
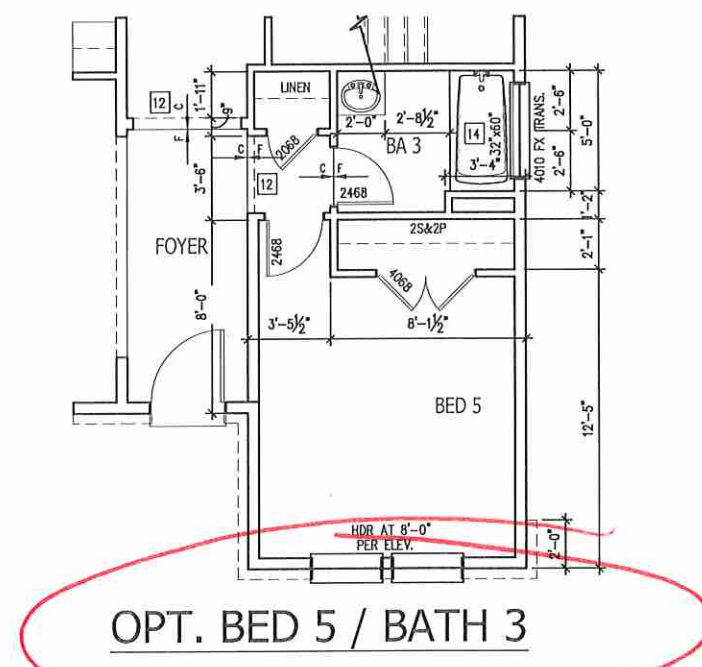
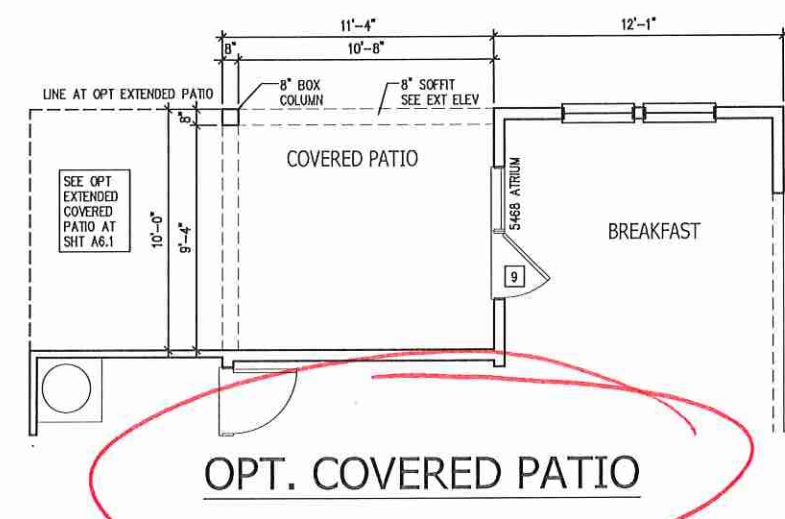
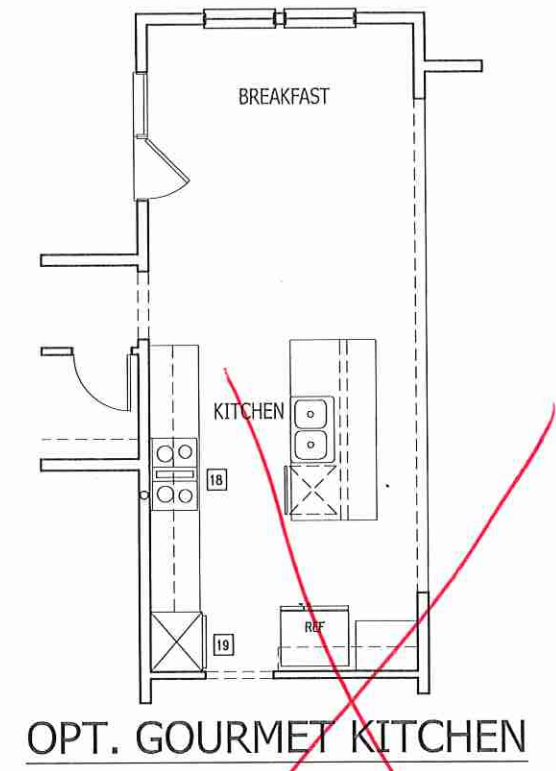
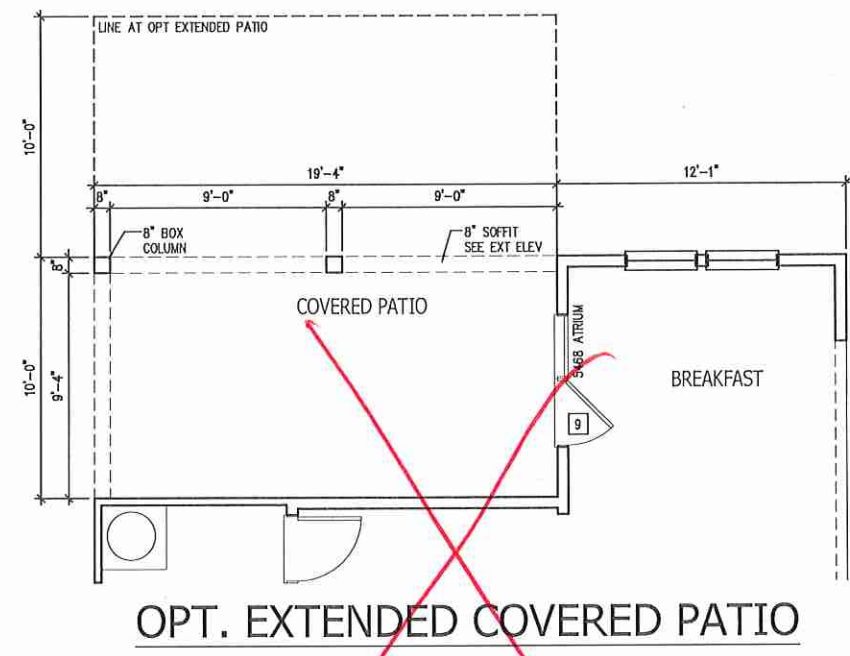
DRAWINGS ON 11"x17" SHEET ARE ONE HALF THE SCALE NOTED

DOGWOOD
H&H HOMES

TITLE
MAIN FLOOR PLAN
STAR SECTION

SHEET
A6.1

- FOR ADDITIONAL NOTES SEE GENERAL NOTES ON TITLE SHEET AND DETAILS.
- WINDOW HEAD HEIGHTS:
1ST FLOOR = 6'-10" U.A.G. ON ELEVATIONS.
2ND FLOOR = 6'-10" U.A.G. ON ELEVATIONS.
- ALL DIMENSIONS TO WINDOWS AND DOORS ARE TO CENTERLINE.
- KEY NOTES FOR NORTH CAROLINA:**
- FIRE PROTECTION:**
- [1] HOUSE TO GARAGE FIRE SEPARATION: GARAGE/HOUSE SEPARATION AT VERTICAL SURFACES SHALL BE PROTECTED WITH ONE (1) LAYER 1/2" GYPSUM BOARD. (PER NIRC TABLE R302.6.)
 - [2] GARAGE/HOUSE SEPARATION AT HORIZONTAL SURFACES SHALL BE PROTECTED WITH ONE (1) LAYER 5/8" TYPE 'X' GYPSUM BOARD. (PER NIRC TABLE R302.6.)
 - [3] HOUSE TO GARAGE DOOR SEPARATION: PROVIDE 1-3/8" SOLID CORE DOOR OR APPROVED 20 MINUTE RATED DOOR. (PER NIRC SECTION R302.5.1.)
 - [4] BENEATH STAIRS AND LANDINGS, 1/2" GYPSUM BOARD ON WALLS AND CEILING OF ENCLOSED ACCESSIBLE AREAS. (PER NIRC SECTION R302.7.)
 - [5] IN CONCEALED SPACES BETWEEN STAIR STRINGERS PROVIDE FIREBLOCKING PER R302.11.
- MEP'S:**
- [6] ELECT. / OPT. GAS WATER HEATER ON 18" HIGH PLATFORM. (PER CHAPTER 5 NIRC-PLUMBING)
 - [7] FAN 4"x8" PLATFORM VERIFY WITH TRUSS MANUFACTURER. (6'-8" MIN. CLEAR HEIGHT TO HORIZONTAL MEMBERS, 2"x6" OVER 2"x4" BOTTOM CHORD. OF TRUSS, VERIFY W/ TRUSSES.)
 - [8] A/C CONDENSER PAD. (VERIFY LOCATION)
 - [9] PRE-FABRICATED METAL FIREPLACE. INSTALL PER MANUFACTURER'S WRITTEN INSTRUCTIONS.
 - [10] ATTIC ACCESS LARGE ENOUGH TO REMOVE LARGEST PIECE OF EQUIPMENT BUT NOT LESS THAN 30" DIA. FIRE RATED ACCESS AS NOTED. (PER NIRC SECTION R607.)
 - [11] ATTIC ACCESS LADDER, VERIFY LOCATION AND SIZE WITH TRUSSES. (24 1/2" x 54" SIZE) TYPICALS.
 - [12] TEMPERED SAFETY GLASS. (PER NIRC SECTION 308.4)
 - [13] PLYWOOD SHELF ABOVE WITH DRYWALL FINISH OVER. HEIGHT AS NOTED.
 - [14] HALF WALL, HEIGHT AS NOTED.
 - [15] INTERIOR SOFFITS: FTL = 8'-1" U.A.G. SFL = 7'-8" U.A.G. BATHS.
 - [16] SHOWER: TEMPERED GLASS ENCLOSURE.
 - [17] TUB-SHOWER COMBO: TEMPERED GLASS ENCLOSURE.
 - [18] CERAMIC TILE SHOWER AND FLOOR: TEMPERED GLASS ENCLOSURE.
 - [19] ACRYLIC TUB W/ CERAMIC PLATFORM KITCHEN.
 - [20] 30" SLIDE-IN ELECTRIC / OPT. GAS RANGE W/ HOOD AND MICRO ABV. VENT PER MANUFACTURER'S WRITTEN INSTRUCTIONS.
 - [21] 30" ELECTRIC / OPT. GAS COOKTOP w/ HOOD OR MICRO/HOOD COMBO ABV. VENT PER MANUFACTURER'S WRITTEN INSTRUCTIONS.
 - [22] ELECTRIC OVEN w/ MICROWAVE OVEN OR ELECTRIC DOUBLE OVEN.



ISSUANCE OF PLANS FROM THIS DRAFTER'S OFFICE SHALL NOT RELIEVE THE BUILDER OF RESPONSIBILITY TO REVIEW AND VERIFY ALL NOTES, DIMENSIONS, AND ADHERENCE TO APPLICABLE BUILDING CODES PRIOR TO COMMENCEMENT OF ANY CONSTRUCTION.

ANY DISCREPANCY OF ERROR IN NOTES, DIMENSIONS, OR ADHERENCE TO APPLICABLE BUILDING CODES SHALL BE BROUGHT TO THE ATTENTION OF THE DRAFTER'S OFFICE FOR CORRECTION BEFORE COMMENCEMENT OF ANY CONSTRUCTION.

ANY REVISIONS OR CHANGES, NOT RELATED TO THE CORRECTION OF ERRORS THAT ARE MADE AFTER THE FINAL PLANS HAVE BEEN COMPLETED SHALL BE SUBJECT TO ADDITIONAL FEES.

IF ANY MODIFICATIONS ARE MADE TO THESE PLANS BY ANY OTHER PARTY OTHER THAN THE DRAFTER'S OFFICE, THE DRAFTER SHALL NOT BE HELD RESPONSIBLE.

MAIN FLOOR OPTIONS

NOTE:
SCALE IS 1/8" = 1'-0" IF PRINTED IN HALF SIZE
SCALE IS 1/4" = 1'-0" IF PRINTED IN FULL SIZE

GARAGE LEFT

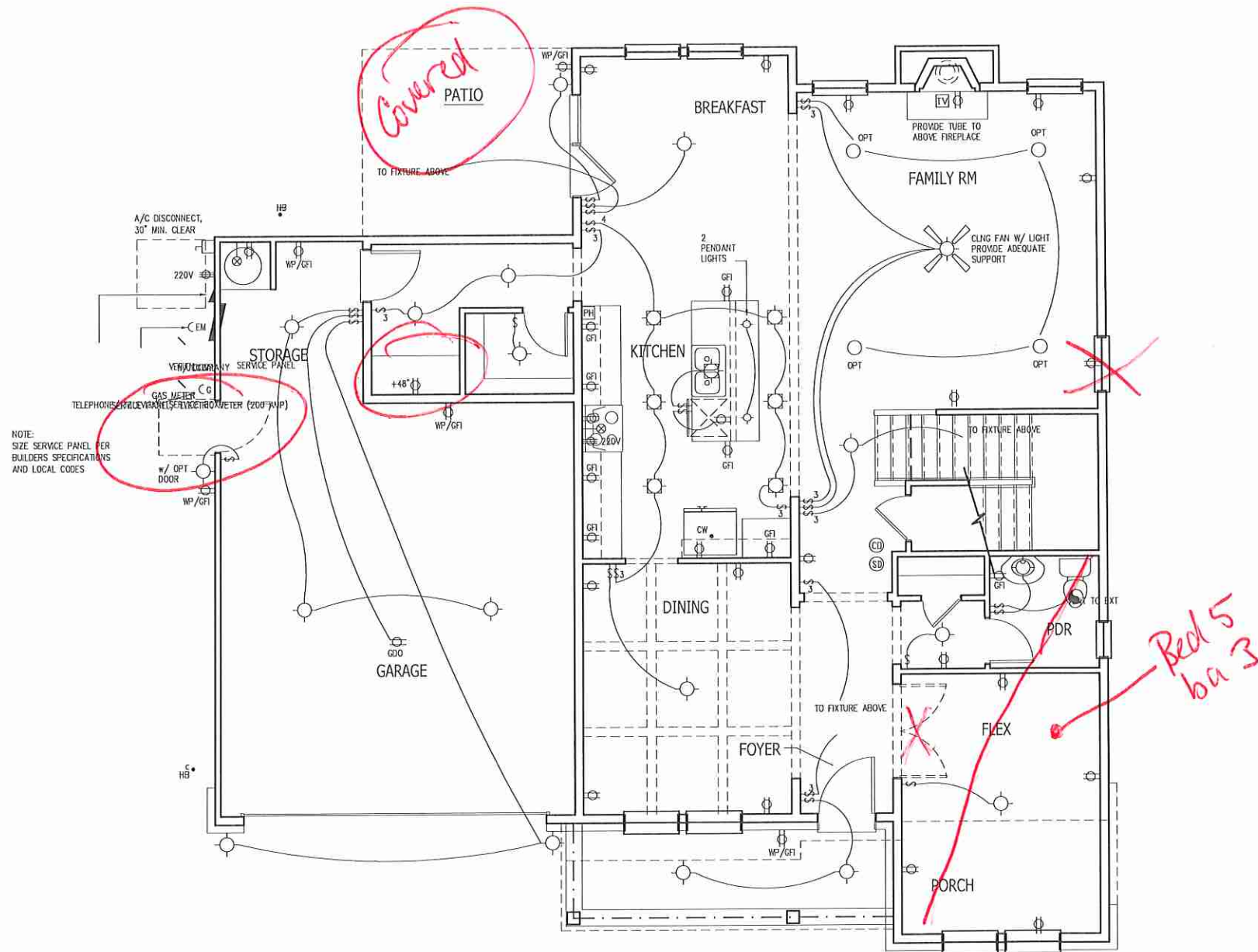
ELECTRICAL KEY

- ⏏ DUPLEX OUTLET
- ⏏ WP/GFI WEATHERPROOF GFI DUPLEX OUTLET
- ⏏ GFI GROUND-FAULT CIRCUIT-INTERRUPTER DUPLEX OUTLET
- ⏏ HALF-SWITCHED DUPLEX OUTLET
- ⏏ 220V 220 VOLT OUTLET
- ⊕ REINFORCED JUNCTION BOX
- ⏏ WALL SWITCH
- ⏏ 3 THREE-WAY SWITCH
- ⏏ 4 FOUR-WAY SWITCH
- ⊙ CEILING MOUNTED INCANDESCENT LIGHT FIXTURE
- ⊙ WALL MOUNTED INCANDESCENT LIGHT FIXTURE
- ⊙ RECESSED INCANDESCENT LIGHT FIXTURE (WP) - VAPOR PROOF
- ⊙ EXHAUST FAN (VENT TO EXTERIOR)
- ⊙ EXHAUST FAN/LIGHT COMBINATION (VENT TO EXTERIOR)
- ⊙ FLUORESCENT LIGHT FIXTURE
- ⊙ TECH HUB SYSTEM
- ⊙ CHIVES
- ⊙ PUSH BUTTON SWITCH
- ⊙ 110V SMOKE DETECTOR W/ BATTERY BACKUP
- ⊙ CO2 DETECTOR
- ⊙ THERMOSTAT
- ⊙ TELEPHONE
- ⊙ TELEVISION
- ⊙ ELECTRICAL METER
- ⊙ ELECTRICAL PANEL
- ⊙ DISCONNECT SWITCH
- ⊙ CEILING FAN (PROVIDE ADEQUATE SUPPORT)
- ⊙ CEILING FAN WITH INCANDESCENT LIGHT FIXTURE (PROVIDE ADEQUATE SUPPORT)
- ⊙ GAS SUPPLY WITH VALVE
- ⊙ HOSE BIBB
- ⊙ 1/4" WATER STUB OUT
- ⊙ WALL SCONCE

NOTES:

1. PROVIDE AND INSTALL GROUND FAULT CIRCUIT-INTERRUPTERS (GFI) AS INDICATED ON PLANS OR AS ITEM NO. 4 AND 5 BELOW INDICATES.
2. UNLESS OTHERWISE INDICATED, INSTALL SWITCHES AND RECEPTACLES AT THE FOLLOWING HEIGHTS ABOVE FINISHED FLOOR:
 SWITCHES . . . 42"
 OUTLETS . . . 14"
 TELEPHONE . . . 14" (UNLESS ABV COUNTERTOP)
 TELEVISION . . . 14"
3. ALL SMOKE DETECTORS SHALL BE HARDWIRED INTO AN ELECTRICAL POWER SOURCE AND SHALL BE EQUIPPED WITH A MONITORED BATTERY BACKUP. PROVIDE AND INSTALL LOCALLY CERTIFIED SMOKE DETECTORS.
4. ALL 15A AND 20A RECEPTACLES IN SLEEPING ROOMS, FAMILY ROOMS, DINING ROOMS, LIVING ROOMS, PARLORS, LIBRARIES, DENS, SUNROOMS, RECREATION ROOMS, CLOSETS, HALLWAYS, AND SIMILAR AREAS WILL REQUIRE A COMBINATION TYPE A.F.C.I. DEVICE AND TAMPER-PROOF RECEPTACLES PER N.E.C. 2011 406.12 AND 406.13
5. ALL 15A AND 20A 120V RECEPTACLES LOCATED IN THE GARAGE AND UTILITY ROOMS SHALL BE G.F.C.I. PROTECTED (G.F.I.).
6. IT IS THE RESPONSIBILITY OF THE LICENSED ELECTRICIAN TO ENSURE THAT ALL ELECTRICAL WORK IS IN FULL COMPLIANCE WITH N.E.P.A. 70, N.E.C. 2011, AND ALL APPLICABLE LOCAL STANDARDS, CODES, AND ORDINANCES.
7. EVERY BUILDING HAVING A FOSSIL-FUEL-BURNING HEATER OR APPLIANCE, FIREPLACE, OR AN ATTACHED GARAGE SHALL HAVE AN OPERATIONAL CARBON MONOXIDE DETECTOR INSTALLED WITHIN 10 FEET OF EACH ROOM USED FOR SLEEPING PURPOSES.
8. ALARMS SHALL RECEIVE THEIR PRIMARY POWER FROM THE BUILDING WIRING WHEN SUCH WIRING IS SERVED FROM THE LOCAL POWER UTILITY. SUCH ALARMS SHALL HAVE BATTERY BACKUP. COMBINATION SMOKE/CARBON MONOXIDE ALARMS SHALL BE LISTED OR LABELED BY A NATIONALLY RECOGNIZED TESTING LABORATORY.

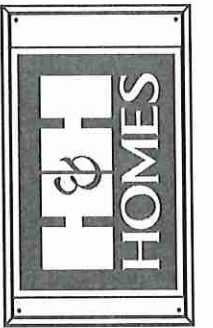
ISSUANCE OF PLANS FROM THIS DRAFTER'S OFFICE SHALL NOT RELIEVE THE BUILDER OF RESPONSIBILITY TO REVIEW AND VERIFY ALL NOTES, DIMENSIONS, AND ADEQUACY TO APPLICABLE BUILDING CODES PRIOR TO COMMENCEMENT OF ANY CONSTRUCTION.
 ANY DISCREPANCY OF ERROR IN NOTES, DIMENSIONS, OR ADEQUACY TO APPLICABLE BUILDING CODES SHALL BE BROUGHT TO THE ATTENTION OF THE DRAFTER'S OFFICE FOR CORRECTION BEFORE COMMENCEMENT OF ANY CONSTRUCTION.
 ANY REVISIONS OR CHANGES, NOT RELATED TO THE CORRECTION OF ERRORS THAT ARE MADE AFTER THE FINAL PLANS HAVE BEEN COMPLETED SHALL BE SUBJECT TO ADDITIONAL FEES.
 IF ANY MODIFICATIONS ARE MADE TO THESE PLANS BY ANY OTHER PARTY OTHER THAN THE DRAFTER'S OFFICE, THE DRAFTER SHALL NOT BE HELD RESPONSIBLE.



1ST FLOOR PLAN 'A'

MAIN FLOOR ELECTRICAL PLAN

NOTE:
 SCALE IS 1/8" = 1'-0" IF PRINTED IN HALF SIZE
 SCALE IS 1/4" = 1'-0" IF PRINTED IN FULL SIZE
GARAGE LEFT



JOB NUMBER	27187.07
CAD FILE NAME	DOGWOOD-L
ISSUED	01/17/18
REVISED	03/18/18

DRAWINGS ON 11"x17" SHEET ARE ONE HALF THE SCALE NOTED

**DOGWOOD
 H&H HOMES**

TITLE
 MAIN FLOOR ELEC. PLAN

SHEET
E1

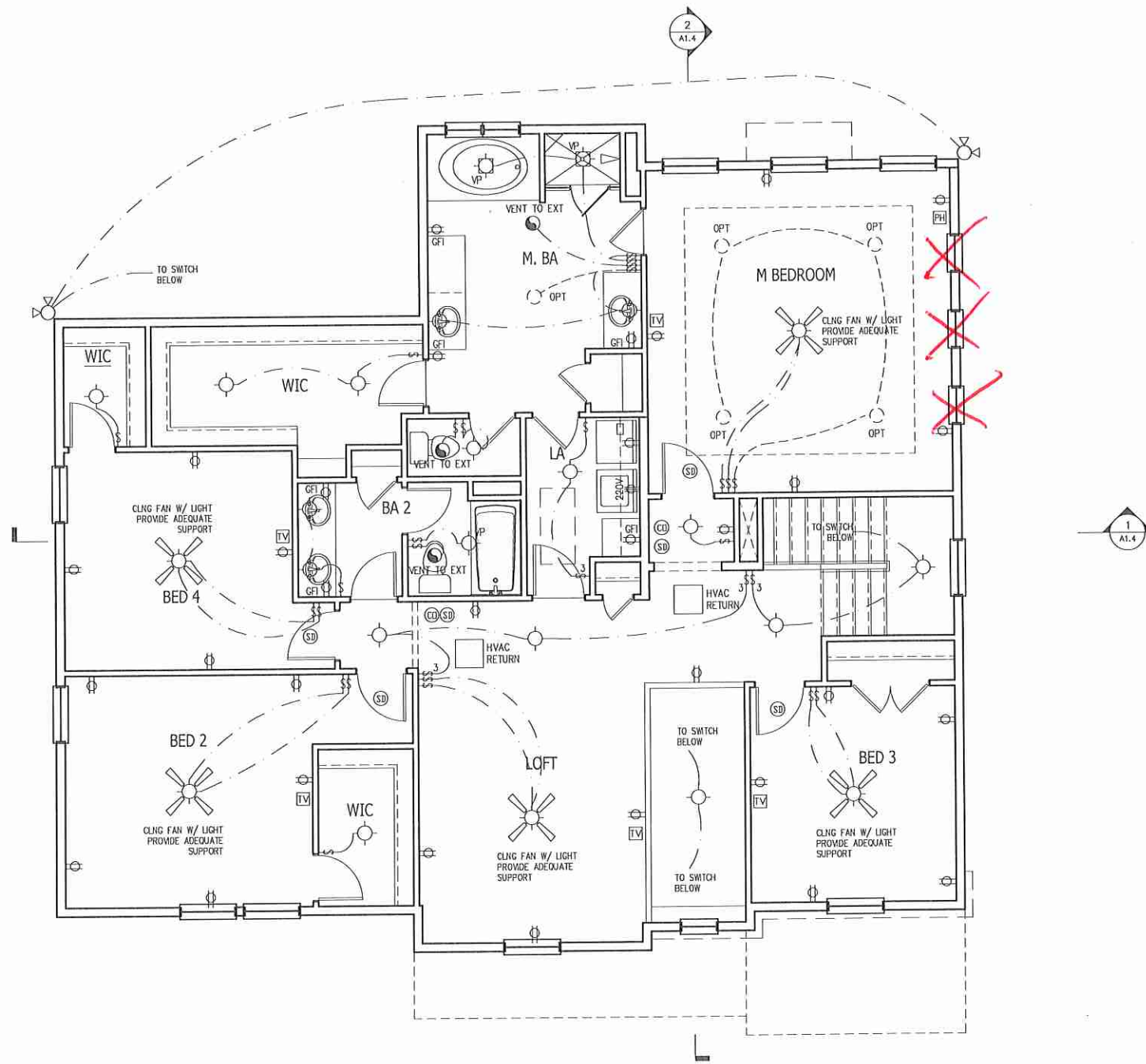
ELECTRICAL KEY

- DUPLEX OUTLET
- WEATHERPROOF GFI DUPLEX OUTLET
- GROUND-FAULT CIRCUIT-INTERRUPTER DUPLEX OUTLET
- HALF-SWITCHED DUPLEX OUTLET
- 220V OUTLET
- REINFORCED JUNCTION BOX
- WALL SWITCH
- THREE-WAY SWITCH
- FOUR-WAY SWITCH
- CEILING MOUNTED INCANDESCENT LIGHT FIXTURE
- WALL MOUNTED INCANDESCENT LIGHT FIXTURE
- RECESSED INCANDESCENT LIGHT FIXTURE (VP) - VAPOR PROOF
- EXHAUST FAN (VENT TO EXTERIOR)
- EXHAUST FAN/LIGHT COMBINATION (VENT TO EXTERIOR)
- FLUORESCENT LIGHT FIXTURE
- TECH HUB SYSTEM
- CHIMES
- PUSH BUTTON SWITCH
- 110V SMOKE DETECTOR W/ BATTERY BACKUP
- CO2 DETECTOR
- THERMOSTAT
- TELEPHONE
- TELEVISION
- ELECTRICAL METER
- ELECTRIC PANEL
- DISCONNECT SWITCH
- CEILING FAN (PROVIDE ADEQUATE SUPPORT)
- CEILING FAN WITH INCANDESCENT LIGHT FIXTURE (PROVIDE ADEQUATE SUPPORT)
- GAS SUPPLY WITH VALVE
- HOSE BIBB
-
- WALL SCOOSIE

NOTES:

1. PROVIDE AND INSTALL GROUND FAULT CIRCUIT-INTERRUPTERS (GFI) AS INDICATED ON PLANS OR AS ITEM NO. 4 AND 5 BELOW INDICATES.
2. UNLESS OTHERWISE INDICATED, INSTALL SWITCHES AND RECEPTACLES AT THE FOLLOWING HEIGHTS ABOVE FINISHED FLOOR:
 SWITCHES . . . 42"
 OUTLETS . . . 14"
 TELEPHONE . . . 14" (UNLESS ABV COUNTERTOP)
 TELEVISION . . . 14"
3. ALL SMOKE DETECTORS SHALL BE HARDWIRED INTO AN ELECTRICAL POWER SOURCE AND SHALL BE EQUIPPED WITH A MONITORED BATTERY BACKUP. PROVIDE AND INSTALL LOCALLY CERTIFIED SMOKE DETECTORS.
4. ALL 15A AND 20A RECEPTACLES IN SLEEPING ROOMS, FAMILY ROOMS, DINING ROOMS, LIVING ROOMS, PARLORS, LIBRARIES, DEN, SUDROOMS, RECREATION ROOMS, CLOSETS, HALLWAYS, AND SIMILAR AREAS WILL REQUIRE A COMBINATION TYPE A.F.C.I. DEVICE AND TAMPER-PROOF RECEPTACLES PER N.E.C. 2011 406.12 AND 406.13
5. ALL 15A AND 20A 120V RECEPTACLES LOCATED IN THE GARAGE AND UTILITY ROOMS SHALL BE G.F.C.I. PROTECTED (G.F.I.).
6. IT IS THE RESPONSIBILITY OF THE LICENSED ELECTRICIAN TO ENSURE THAT ALL ELECTRICAL WORK IS IN FULL COMPLIANCE WITH N.E.P.A. 70, N.E.C. 2011, AND ALL APPLICABLE LOCAL STANDARDS, CODES, AND ORDINANCES.
7. EVERY BUILDING HAVING A FOSSIL-FUEL-BURNING HEATER OR APPLIANCE, FIREPLACE, OR AN ATTACHED GARAGE SHALL HAVE AN OPERATIONAL CARBON MONOXIDE DETECTOR INSTALLED WITHIN 10 FEET OF EACH ROOM USED FOR SLEEPING PURPOSES.
8. ALARMS SHALL RECEIVE THEIR PRIMARY POWER FROM THE BUILDING WIRING WHEN SUCH WIRING IS SERVED FROM THE LOCAL POWER UTILITY. SUCH ALARMS SHALL HAVE BATTERY BACKUP. COMBINATION SMOKE/CARBON MONOXIDE ALARMS SHALL BE LISTED OR LABELED BY A NATIONALLY RECOGNIZED TESTING LABORATORY.

ISSUANCE OF PLANS FROM THIS DRAFTER'S OFFICE SHALL NOT RELIEVE THE BUILDER OF RESPONSIBILITY TO REVIEW AND VERIFY ALL NOTES, DIMENSIONS, AND ADHERENCE TO APPLICABLE BUILDING CODES PRIOR TO COMMENCEMENT OF ANY CONSTRUCTION.
 ANY DISCREPANCY OF ERROR IN NOTES, DIMENSIONS, OR ADHERENCE TO APPLICABLE BUILDING CODES SHALL BE BROUGHT TO THE ATTENTION OF THE DRAFTER'S OFFICE FOR CORRECTION BEFORE COMMENCEMENT OF ANY CONSTRUCTION.
 ANY REVISIONS OR CHANGES, NOT RELATED TO THE CORRECTION OF ERRORS THAT ARE MADE AFTER THE FINAL PLANS HAVE BEEN COMPLETED SHALL BE SUBJECT TO ADDITIONAL FEES.
 IF ANY MODIFICATIONS ARE MADE TO THESE PLANS BY ANY OTHER PARTY OTHER THAN THE DRAFTER'S OFFICE, THE DRAFTER SHALL NOT BE HELD RESPONSIBLE.

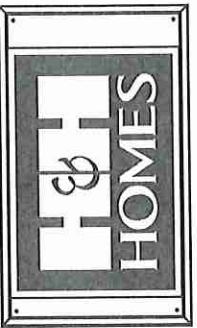


2ND FLOOR PLAN 'A'

UPPER FLOOR ELECTRICAL PLAN

NOTE:
 SCALE IS 1/8" = 1'-0" IF PRINTED IN HALF SIZE
 SCALE IS 1/4" = 1'-0" IF PRINTED IN FULL SIZE

GARAGE LEFT



JOB NUMBER	27187.07
CAD FILE NAME	DOGWOOD-L
ISSUED	01/17/10
REVISED	03/18/10

DRAWINGS ON 11"x17" SHEET ARE ONE HALF THE SCALE NOTED

**DOGWOOD
 H&H HOMES**

TITLE
 UPPER FLOOR ELEC. PLAN

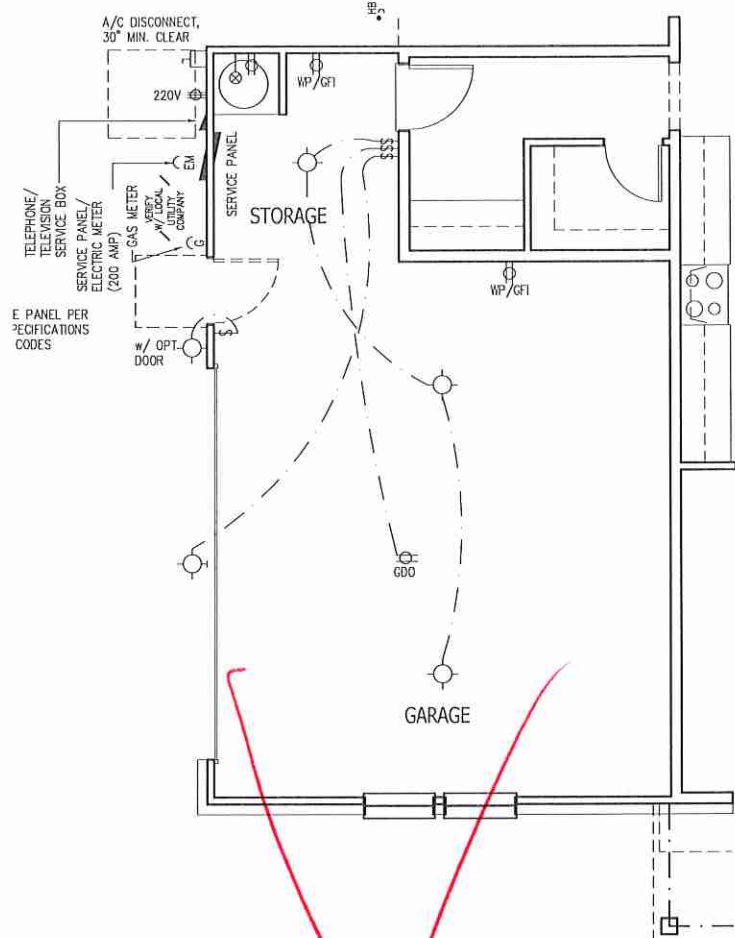
SHEET
E4

ELECTRICAL KEY

- DUPLEX OUTLET
- WEATHERPROOF GFI DUPLEX OUTLET
- GROUND-FAULT CIRCUIT-INTERRUPTER DUPLEX OUTLET
- HALF-SWITCHED DUPLEX OUTLET
- 220V OUTLET
- REINFORCED JUNCTION BOX
- WALL SWITCH
- THREE-WAY SWITCH
- FOUR-WAY SWITCH
- CEILING MOUNTED INCANDESCENT LIGHT FIXTURE
- WALL MOUNTED INCANDESCENT LIGHT FIXTURE
- RECESSED INCANDESCENT LIGHT FIXTURE (WP) - VAPOR PROOF
- EXHAUST FAN (VENT TO EXTERIOR)
- EXHAUST FAN/LIGHT COMBINATION (VENT TO EXTERIOR)
- FLUORESCENT LIGHT FIXTURE
- TECH HUB SYSTEM
- CHIMES
- PUSH BUTTON SWITCH
- 110V SMOKE DETECTOR w/ BATTERY BACKUP
- CO2 DETECTOR
- THERMOSTAT
- TELEPHONE
- TELEVISION
- ELECTRICAL METER
- ELECTRIC PANEL
- DISCONNECT SWITCH
- CEILING FAN (PROVIDE ADEQUATE SUPPORT)
- CEILING FAN WITH INCANDESCENT LIGHT FIXTURE (PROVIDE ADEQUATE SUPPORT)
- GAS SUPPLY WITH VALVE
- HOSE BIBB
-
- WALL SCONCE

- NOTES:**
1. PROVIDE AND INSTALL GROUND FAULT CIRCUIT-INTERRUPTERS (GFI) AS INDICATED ON PLANS OR AS ITEM NO. 4 AND 5 BELOW INDICATES.
 2. UNLESS OTHERWISE INDICATED, INSTALL SWITCHES AND RECEPTACLES AT THE FOLLOWING HEIGHTS ABOVE FINISHED FLOOR:
 SWITCHES . . . 42"
 OUTLETS . . . 14"
 TELEPHONE . . . 34" (UNLESS A/BY COUNTERTOP)
 TELEVISION . . . 34"
 3. ALL SMOKE DETECTORS SHALL BE HARDWIRED INTO AN ELECTRICAL POWER SOURCE AND SHALL BE EQUIPPED WITH A MONITORED BATTERY BACKUP. PROVIDE AND INSTALL LOCALLY CERTIFIED SMOKE DETECTORS.
 4. ALL 15A AND 20A RECEPTACLES IN SLEEPING ROOMS, FAMILY ROOMS, DINING ROOMS, LIVING ROOMS, PARLORS, LIBRARIES, DEN, SUNROOMS, RECREATION ROOMS, CLOSETS, HALLWAYS, AND SIMILAR AREAS WILL REQUIRE A COMBINATION TYPE A.F.C.I. DEVICE AND TAMPER-PROOF RECEPTACLES PER N.E.C. 2011 408.12 AND 408.13
 5. ALL 15A AND 20A 120V RECEPTACLES LOCATED IN THE GARAGE AND UTILITY ROOMS SHALL BE G.F.C.I. PROTECTED (G.F.I.).
 6. IT IS THE RESPONSIBILITY OF THE LICENSED ELECTRICIAN TO ENSURE THAT ALL ELECTRICAL WORK IS IN FULL COMPLIANCE WITH N.E.P.A. 70, N.E.C. 2011, AND ALL APPLICABLE LOCAL STANDARDS, CODES, AND ORDINANCES.
 7. EVERY BUILDING HAVING A FOSSIL-FUEL-BURNING HEATER OR APPLIANCE, FIREPLACE, OR AN ATTACHED GARAGE SHALL HAVE AN OPERATIONAL CARBON MONOXIDE DETECTOR INSTALLED WITHIN 10 FEET OF EACH ROOM USED FOR SLEEPING PURPOSES.
 8. ALARMS SHALL RECEIVE THEIR PRIMARY POWER FROM THE BUILDING WIRING WHEN SUCH WIRING IS SERVED FROM THE LOCAL POWER UTILITY. SUCH ALARMS SHALL HAVE BATTERY BACKUP. COMBINATION SMOKE/CARBON MONOXIDE ALARMS SHALL BE LISTED OR LABELED BY A NATIONALLY RECOGNIZED TESTING LABORATORY.

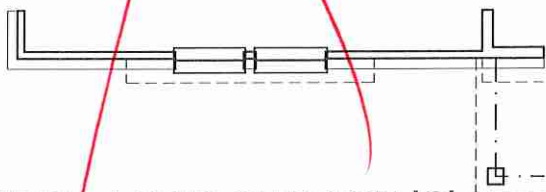
ISSUANCE OF PLANS FROM THIS DRAFTER'S OFFICE SHALL NOT RELIEVE THE BUILDER OF RESPONSIBILITY TO REVIEW AND VERIFY ALL NOTES, DIMENSIONS, AND ADHERENCE TO APPLICABLE BUILDING CODES PRIOR TO COMMENCEMENT OF ANY CONSTRUCTION.
 ANY DISCREPANCY OF ERROR IN NOTES, DIMENSIONS, OR ADHERENCE TO APPLICABLE BUILDING CODES SHALL BE BROUGHT TO THE ATTENTION OF THE DRAFTER'S OFFICE FOR CORRECTION BEFORE COMMENCEMENT OF ANY CONSTRUCTION.
 ANY REVISIONS OR CHANGES NOT RELATED TO THE CORRECTION OF ERRORS THAT ARE MADE AFTER THE FINAL PLANS HAVE BEEN COMPLETED SHALL BE SUBJECT TO ADDITIONAL FEES.
 IF ANY MODIFICATIONS ARE MADE TO THESE PLANS BY ANY OTHER PARTY OTHER THAN THE DRAFTER'S OFFICE, THE DRAFTER SHALL NOT BE HELD RESPONSIBLE.



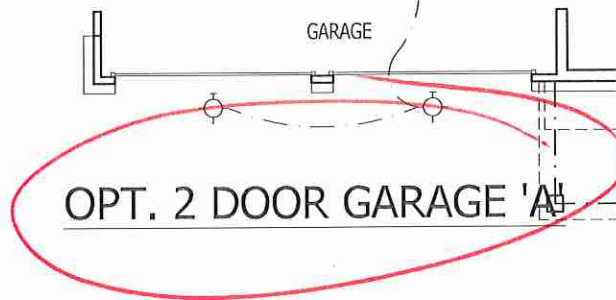
OPT. SIDE-LOAD GARAGE 'A'



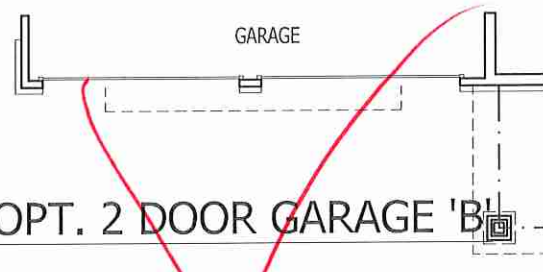
OPT. SIDE-LOAD GARAGE 'B'



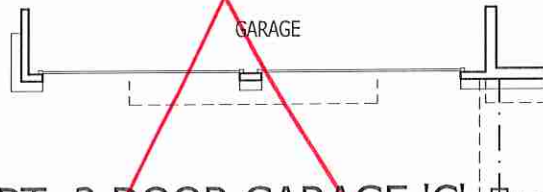
OPT. SIDE-LOAD GARAGE 'C'



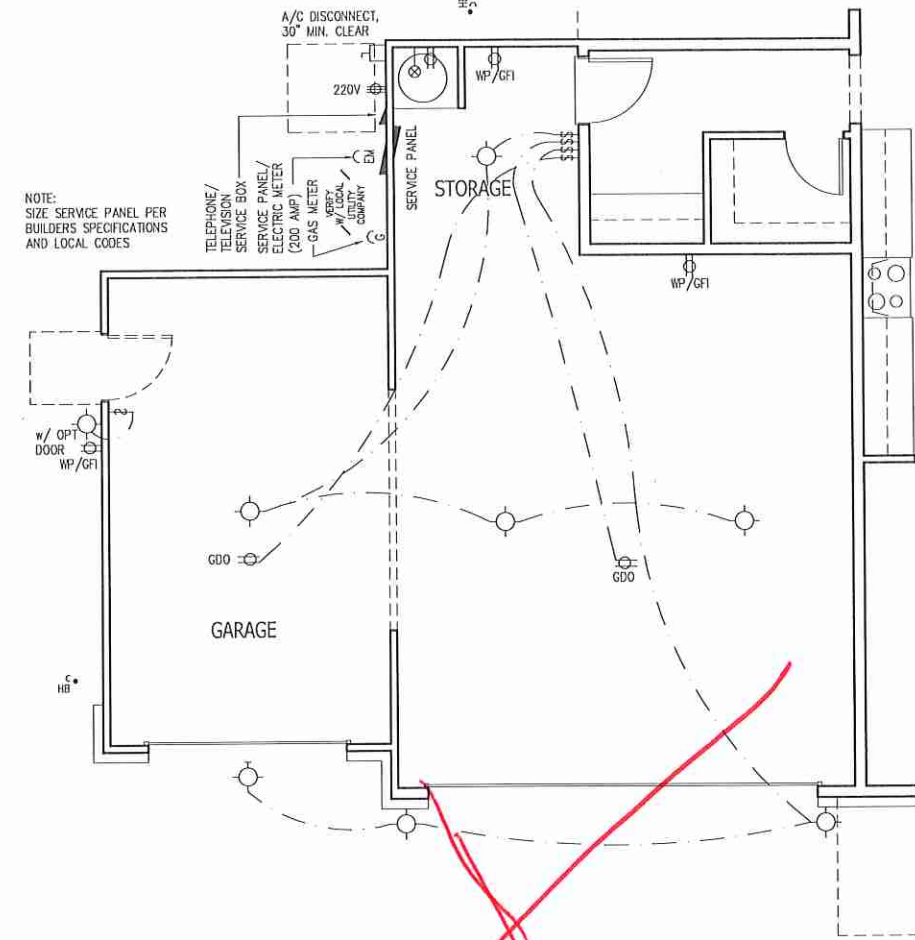
OPT. 2 DOOR GARAGE 'A'



OPT. 2 DOOR GARAGE 'B'



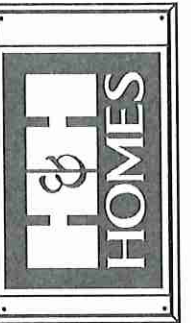
OPT. 2 DOOR GARAGE 'C'



OPTIONAL 3-CAR GARAGE - FRONT LOAD

ELECTRICAL OPTION

NOTE:
 SCALE IS 1/8" = 1'-0" IF PRINTED IN HALF SIZE
 SCALE IS 1/4" = 1'-0" IF PRINTED IN FULL SIZE
GARAGE LEFT



JOB NUMBER	27187.07
CAD FILE NAME	DOGWOOD-L
ISSUED	01/17/19
REVISED	03/18/19

DRAWINGS ON 11"x17" SHEET ARE ONE HALF THE SCALE NOTED

**DOGWOOD
 H&H HOMES**

TITLE
 ELECTRIC AT PLAN OPTIONS

SHEET
E7

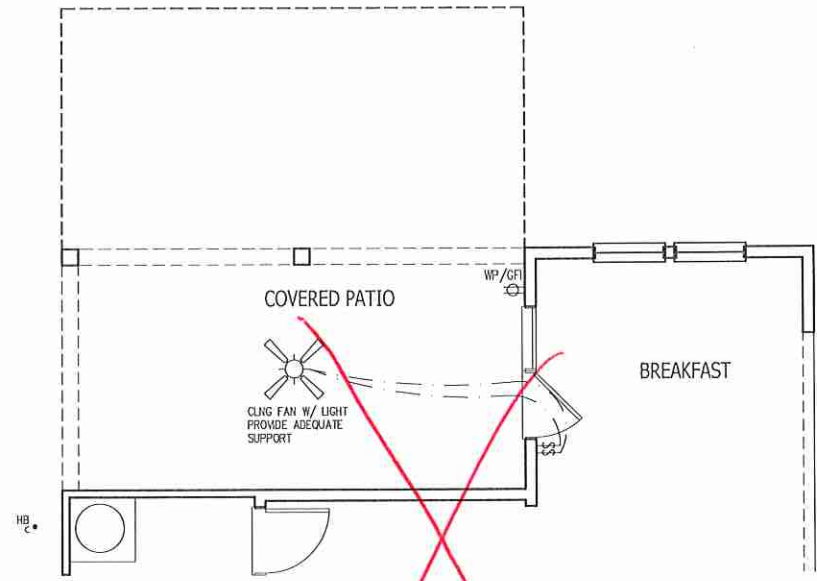
ELECTRICAL KEY

- DUPLEX OUTLET
- WEATHERPROOF GFI DUPLEX OUTLET
- GROUND-FAULT CIRCUIT-INTERRUPTER DUPLEX OUTLET
- HALF-SWITCHED DUPLEX OUTLET
- 220 VOLT OUTLET
- REINFORCED JUNCTION BOX
- WALL SWITCH
- THREE-WAY SWITCH
- FOUR-WAY SWITCH
- CEILING MOUNTED INCANDESCENT LIGHT FIXTURE
- WALL MOUNTED INCANDESCENT LIGHT FIXTURE
- RECESSED INCANDESCENT LIGHT FIXTURE (VP) - VAPOR PROOF
- EXHAUST FAN (VENT TO EXTERIOR)
- EXHAUST FAN/LIGHT COMBINATION (VENT TO EXTERIOR)
- FLUORESCENT LIGHT FIXTURE
- TECH HUB SYSTEM
- CHIMES
- PUSH BUTTON SWITCH
- 110V SMOKE DETECTOR W/ BATTERY BACKUP
- CO2 DETECTOR
- THERMOSTAT
- TELEPHONE
- TELEVISION
- ELECTRICAL METER
- ELECTRIC PANEL
- DISCONNECT SWITCH
- CEILING FAN (PROVIDE ADEQUATE SUPPORT)
- CEILING FAN WITH INCANDESCENT LIGHT FIXTURE (PROVIDE ADEQUATE SUPPORT)
- GAS SUPPLY WITH VALVE
- HOSE BIBB
- 1/4" WATER STUB OUT
- WALL SCONCE

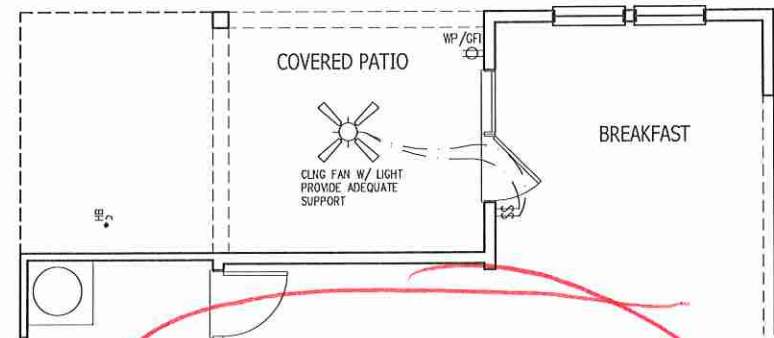
NOTES:

1. PROVIDE AND INSTALL GROUND FAULT CIRCUIT-INTERRUPTERS (GFI) AS INDICATED ON PLANS OR AS ITEM NO. 4 AND 5 BELOW INDICATES.
2. UNLESS OTHERWISE INDICATED, INSTALL SWITCHES AND RECEPTACLES AT THE FOLLOWING HEIGHTS ABOVE FINISHED FLOOR:
 SWITCHES . . . 42"
 OUTLETS . . . 14"
 TELEPHONE . . . 14" (UNLESS ABV COUNTERTOP)
 TELEVISION . . . 14"
3. ALL SMOKE DETECTORS SHALL BE HARDWIRED INTO AN ELECTRICAL POWER SOURCE AND SHALL BE EQUIPPED WITH A MONITORED BATTERY BACKUP. PROVIDE AND INSTALL LOCALLY CERTIFIED SMOKE DETECTORS.
4. ALL 15A AND 20A RECEPTACLES IN SLEEPING ROOMS, FAMILY ROOMS, DINING ROOMS, LIVING ROOMS, PARLORS, LIBRARIES, DEKS, SUNROOMS, RECREATION ROOMS, CLOSETS, HALLWAYS, AND SIMILAR AREAS WILL REQUIRE A COMBINATION TYPE A.F.C.I. DEVICE AND TAMPER-PROOF RECEPTACLES PER N.E.C. 2011 408.12 AND 408.13
5. ALL 15A AND 20A 120V RECEPTACLES LOCATED IN THE GARAGE AND UTILITY ROOMS SHALL BE G.F.C.I. PROTECTED (G.F.I.).
6. IT IS THE RESPONSIBILITY OF THE LICENSED ELECTRICIAN TO ENSURE THAT ALL ELECTRICAL WORK IS IN FULL COMPLIANCE WITH N.E.C. 70, N.E.C. 2011, AND ALL APPLICABLE LOCAL STANDARDS, CODES, AND ORDINANCES.
7. EVERY BUILDING HAVING A FOSSIL-FUEL-BURNING HEATER OR APPLIANCE, FIREPLACE, OR AN ATTACHED GARAGE SHALL HAVE AN OPERATIONAL CARBON MONOXIDE DETECTOR INSTALLED WITHIN 10 FEET OF EACH ROOM USED FOR SLEEPING PURPOSES.
8. ALARMS SHALL RECEIVE THEIR PRIMARY POWER FROM THE BUILDING WIRING WHEN SUCH WIRING IS SERVED FROM THE LOCAL POWER UTILITY. SUCH ALARMS SHALL HAVE BATTERY BACKUP. COMBINATION SMOKE/CARBON MONOXIDE ALARMS SHALL BE LISTED OR LABELED BY A NATIONALLY RECOGNIZED TESTING LABORATORY.

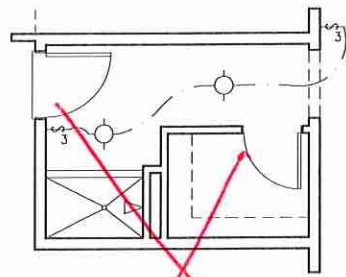
ISSUANCE OF PLANS FROM THIS DRAFTER'S OFFICE SHALL NOT RELIEVE THE BUILDER OF RESPONSIBILITY TO REVIEW AND VERIFY ALL NOTES, DIMENSIONS, AND ADHERENCE TO APPLICABLE BUILDING CODES PRIOR TO COMMENCEMENT OF ANY CONSTRUCTION.
 ANY DISCREPANCY OF ERROR IN NOTES, DIMENSIONS, OR ADHERENCE TO APPLICABLE BUILDING CODES SHALL BE BROUGHT TO THE ATTENTION OF THE DRAFTER'S OFFICE FOR CORRECTION BEFORE COMMENCEMENT OF ANY CONSTRUCTION.
 ANY REVISIONS OR CHANGES, NOT RELATED TO THE CORRECTION OF ERRORS THAT ARE MADE AFTER THE FINAL PLANS HAVE BEEN COMPLETED SHALL BE SUBJECT TO ADDITIONAL FEES.
 IF ANY MODIFICATIONS ARE MADE TO THESE PLANS BY ANY OTHER PARTY OTHER THAN THE DRAFTER'S OFFICE, THE DRAFTER SHALL NOT BE HELD RESPONSIBLE.



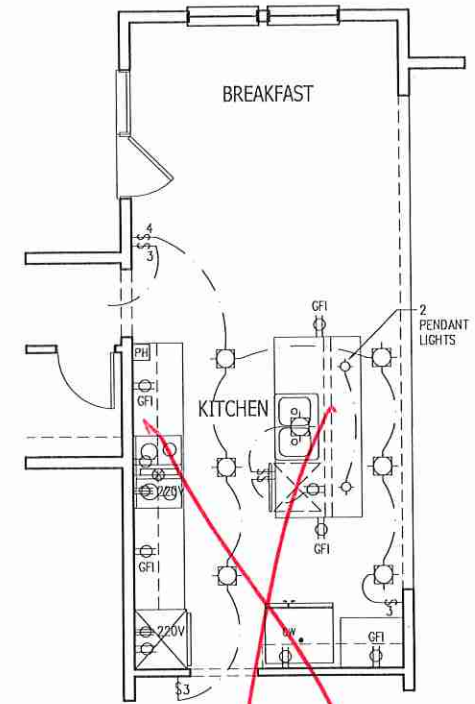
OPT. EXTENDED COVERED PATIO



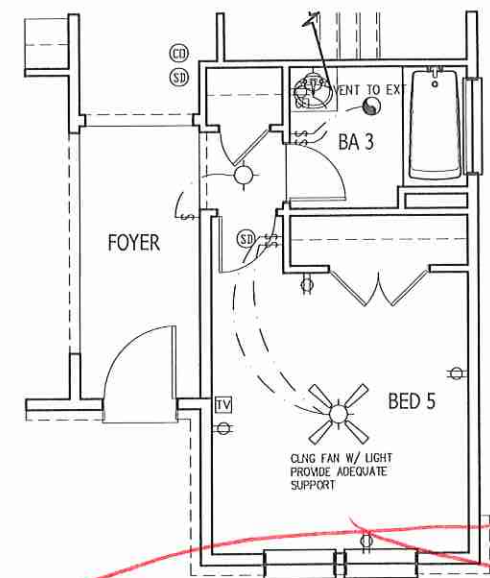
OPT. COVERED PATIO



OPT. PET SHOWER



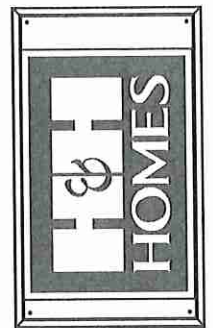
OPT. GOURMET KITCHEN



OPT. BED 5 / BATH 3

ELECTRICAL OPTION

NOTE:
 SCALE IS 1/8" = 1'-0" IF PRINTED IN HALF SIZE
 SCALE IS 1/4" = 1'-0" IF PRINTED IN FULL SIZE
GARAGE LEFT



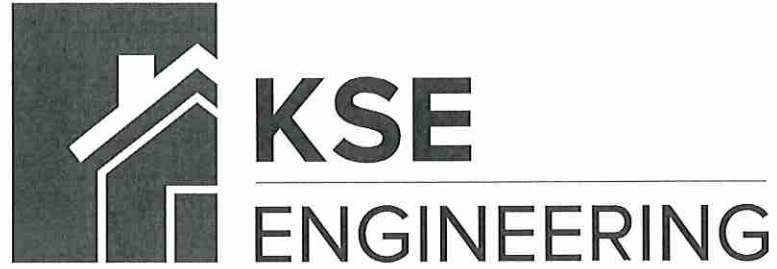
*JOB NUMBER	27167.07
CAD FILE NAME	DOGWOOD-L
ISSUED	01/17/18
REVISED	03/18/18

DRAWINGS ON 11"x17" SHEET ARE ONE HALF THE SCALE NOTED

**DOGWOOD
 H&H HOMES**

TITLE
 ELECTRIC AT PLAN OPTIONS

SHEET
E8



1900 AM DRIVE, SUITE 201, QUAKERTOWN, PA 18951
 www.kse-eng.com (215) 804-4449

DOGWOOD

CAROLINA DIVISION

THESE DRAWINGS ARE TO BE USED IN CONJUNCTION WITH AND COORDINATED WITH THE ARCHITECTURAL, CIVIL, MECHANICAL, ELECTRICAL, AND PLUMBING DRAWINGS. THIS COORDINATION IS NOT THE RESPONSIBILITY OF THE STRUCTURAL ENGINEER OF RECORD (SER). SHOULD ANY DISCREPANCIES BECOME APPARENT, THE CONTRACTOR SHALL NOTIFY KSE ENGINEERING, P.C. BEFORE CONSTRUCTION BEGINS. IT IS THE INTENT OF THE ENGINEER LISTED ON THESE DOCUMENTS THAT THESE DOCUMENTS BE ACCURATE, PROVIDING LICENSED PROFESSIONALS CLEAR INFORMATION. EVERY ATTEMPT HAS BEEN MADE TO PREVENT ERROR. THE BUILDER AND ALL SUBCONTRACTORS ARE REQUIRED TO REVIEW ALL OF THE INFORMATION CONTAINED IN THESE DOCUMENTS PRIOR TO THE COMMENCEMENT OF ANY WORK. THE ENGINEER IS NOT RESPONSIBLE FOR ANY PLAN ERRORS, OMISSIONS, OR MISINTERPRETATIONS UNDETECTED AND NOT REPORTED TO THE ENGINEER PRIOR TO CONSTRUCTION. ALL CONSTRUCTION MUST BE IN ACCORDANCE TO THE INFORMATION FOUND IN THESE DOCUMENTS.

DESIGN SPECIFICATIONS:

DESIGN BUILDING CODE (REFERRED TO HEREIN AS 'THE BUILDING CODE'):
 • 2018 NORTH CAROLINA RESIDENTIAL CODE. WALL BRACING PER INTERNATIONAL RESIDENTIAL CODE 2015 EDITION.

DESIGN LIVE LOADS:

- ROOF = 20 PSF (LOAD DURATION FACTOR=1.25)
- UNINHABITABLE ATTICS WITH LIMITED STORAGE = 20 PSF (WHERE SPECIFIED ON PLANS)
- HABITABLE ATTICS AND ATTICS SERVED WITH FIXED STAIRS = 30 PSF
- FLOOR = 40 PSF
- FLOOR (SLEEPING AREAS) = 30 PSF
- DECK = 40 PSF
- BALCONY = 40 PSF
- STAIRS = 40 PSF

DESIGN DEAD LOADS:

- ROOF TRUSS = 17 PSF (TC=7, BC=10)
- FLOOR TRUSS = 15 PSF (TC=10, BC=5)
- FLOOR JOIST = 10 PSF
- QUEEN ANNE BRICK = 25 PSF

NOTE: STRUCTURAL FRAMING HAS NOT BEEN DESIGNED FOR TILE, GRANITE, MARBLE OR OTHER MATERIALS HEAVIER THAN THE ABOVE LOADING UNLESS SPECIFICALLY NOTED ON PLANS.

DESIGN WIND LOADS:

- ULTIMATE WIND SPEED = 120 MPH
- EXPOSURE CATEGORY = B

ASSUMED SOIL BEARING CAPACITY = 2000 PSF

ASSUMED LATERAL SOIL PRESSURE = 45 PCF

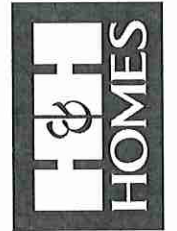
FROST DEPTH = 12"

SEISMIC DESIGN CATEGORY = B

ENGINEERED LUMBER SHALL HAVE THE FOLLOWING MINIMUM DESIGN VALUES:

- TJI 210 SERIES (SERIES AND SPACING PER PLANS)
- LSL: E=1,550,000 PSI, F_b=2,325 PSI, F_v=310 PSI, F_c=900 PSI
- LVL: E=2,000,000 PSI, F_b=2,600 PSI, F_v=285 PSI, F_c=750 PSI
- PSL: E=2,100,000 PSI, F_b=2,900 PSI, F_v=290 PSI, F_c=625 PSI

THIS PLAN HAS BEEN DESIGNED PER THE 2018 EDITION OF THE NC RESIDENTIAL CODE. WHERE FRAMING, FOUNDATION, OR OTHER STRUCTURAL ITEMS DO NOT COMPLY WITH THE PRESCRIPTIVE METHODS OF THE CODE, THOSE ITEMS HAVE BEEN DESIGNED IN ACCORDANCE WITH ACCEPTED ENGINEERING PRACTICE PER NCRC R301.1.3.



Cover Sheet
 Dogwood Model - LH
 120 M.P.H.
 Carolina Division

Project #: 105-16007
 Designed By: KRK
 Checked By:
 Issue Date: 4/9/19
 Re-Issue:
 Scale: 1/8"=1'-0" @ 11x17
 1/4"=1'-0" @ 22x34



S-0

GENERAL STRUCTURAL NOTES:

- THE DESIGN PROFESSIONAL WHOSE SEAL APPEARS ON THESE DRAWINGS IS THE STRUCTURAL ENGINEER OF RECORD (SER) FOR THIS PROJECT. THE SER BEARS THE RESPONSIBILITY OF THE PRIMARY STRUCTURAL ELEMENTS AND THE PERFORMANCE OF THIS STRUCTURE. NO OTHER PARTY MAY REVISE, ALTER, OR DELETE ANY STRUCTURAL ASPECTS OF THESE CONSTRUCTION DOCUMENTS WITHOUT WRITTEN CONSENT OF KSE ENGINEERING, P.C. OR THE SER. FOR THE PURPOSES OF THESE CONSTRUCTION DOCUMENTS, THE SER AND KSE ENGINEERING SHALL BE CONSIDERED THE SAME ENTITY.
- THE STRUCTURE IS ONLY STABLE IN ITS COMPLETED FORM. THE CONTRACTOR SHALL PROVIDE ALL REQUIRED TEMPORARY BRACING DURING CONSTRUCTION TO STABILIZE THE STRUCTURE.
- THE SER IS NOT RESPONSIBLE FOR CONSTRUCTION SEQUENCES, METHODS, OR TECHNIQUES IN CONNECTION WITH THE CONSTRUCTION OF THIS STRUCTURE. THE SER WILL NOT BE HELD RESPONSIBLE FOR THE CONTRACTOR'S FAILURE TO CONFORM TO THE CONTRACT DOCUMENTS, SHOULD ANY NON-COMFORMITIES OCCUR. THE SER DOES NOT CERTIFY DIMENSIONAL ACCURACY OR ARCHITECTURAL LAYOUT INCLUDING ROOF GEOMETRY. THE SER ASSUMES NO LIABILITY FOR CHANGES MADE TO THESE PLANS BY OTHERS, OR FOR CONSTRUCTION METHODS, OR FOR ANY DEVIATION FROM THE PLANS. THE SER SHALL BE NOTIFIED PRIOR TO CONSTRUCTION IF ANY DISCREPANCIES ARE NOTED ON THE PLANS. ANY STRUCTURAL ELEMENTS OR DETAILS NOT FULLY DEVELOPED ON THE CONSTRUCTION DRAWINGS SHALL BE COMPLETED UNDER THE DIRECTION OF A LICENSED PROFESSIONAL ENGINEER. THESE SHOP DRAWINGS SHALL BE SUBMITTED TO KSE ENGINEERING FOR REVIEW BEFORE ANY CONSTRUCTION BEGINS. THE SHOP DRAWINGS WILL BE REVIEWED FOR OVERALL COMPLIANCE AS IT RELATES TO THE STRUCTURAL DESIGN OF THIS PROJECT. VERIFICATION OF THE SHOP DRAWINGS FOR DIMENSIONS, OR FOR ACTUAL FIELD CONDITIONS, IS NOT THE RESPONSIBILITY OF THE SER OR KSE ENGINEERING, P.C. VERIFICATION OF ASSUMED FIELD CONDITIONS IS NOT THE RESPONSIBILITY OF THE SER. THE CONTRACTOR SHALL VERIFY THE FIELD CONDITIONS FOR ACCURACY AND REPORT ANY DISCREPANCIES TO KSE ENGINEERING, P.C. BEFORE CONSTRUCTION BEGINS.
- THE SER IS NOT RESPONSIBLE FOR ANY SECONDARY STRUCTURAL ELEMENTS OR NON-STRUCTURAL ELEMENTS, EXCEPT FOR THE ELEMENTS SPECIFICALLY NOTED ON THE STRUCTURAL DRAWINGS.
- THIS STRUCTURE AND ALL CONSTRUCTION SHALL CONFORM TO ALL APPLICABLE SECTIONS OF THE BUILDING CODE AND ANY LOCAL CODES OR RESTRICTIONS.
- DO NOT SCALE DRAWINGS. WRITTEN DIMENSIONS TAKE PRECEDENCE OVER SCALED DIMENSIONS. ALL DIMENSIONS ARE TO FACE OF STUD OR TO FACE OF FRAMING UNLESS OTHERWISE NOTED.
- PROVIDE MOISTURE PROTECTION AND FLASHING PER ARCHITECTURAL DETAILS.

FOUNDATIONS:

- FOUNDATIONS SHALL BE CONSTRUCTED IN ACCORDANCE WITH CHAPTER 4 OF THE BUILDING CODE.
- CONTRACTOR IS SOLELY RESPONSIBLE FOR VERIFYING THE SUITABILITY OF THE SITE SOIL CONDITIONS AT THE TIME OF CONSTRUCTION. THE BUILDER SHALL FURNISH ANY AND ALL REPORTS RECEIVED FROM THE GEOTECHNICAL ENGINEER ON THE STUDY OF THE PROPOSED SITE TO THE DESIGNER, STRUCTURAL ENGINEER, AND GENERAL CONTRACTOR.
- MAXIMUM DEPTH OF UNBALANCED FILL AGAINST MASONRY WALLS TO BE AS SPECIFIED IN THE BUILDING CODE.
- THE SER HAS NOT PERFORMED A SUBSURFACE INVESTIGATION. VERIFICATION OF THE ASSUMED VALUE IS THE RESPONSIBILITY OF THE OWNER OR THE CONTRACTOR. SHOULD ANY ADVERSE SOIL CONDITION BE ENCOUNTERED, THE SER MUST BE CONTACTED BEFORE PROCEEDING.
- THE BOTTOM OF ALL FOOTINGS SHALL EXTEND BELOW THE FROST LINE FOR THE REGION IN WHICH THE STRUCTURE IS TO BE CONSTRUCTED, BUT NOT LESS THAN A MINIMUM OF 12" BELOW GRADE. ALL FOOTINGS TO HAVE A MINIMUM PROJECTION OF 2" ON EACH SIDE OF FOUNDATION WALLS. MAXIMUM FOOTING PROJECTION SHALL NOT EXCEED THE THICKNESS OF THE FOOTING.
- WOOD SILL PLATES SHALL BE ANCHORED TO THE FOUNDATION WITH 1/2" ANCHOR BOLTS WITH MINIMUM 7" EMBEDMENT, SPACED A MAXIMUM OF 6'-0" O.C. INSTALL MINIMUM 2 ANCHOR BOLTS PER SECTION, 12" MAXIMUM FROM CORNERS. 1/2" DIAMETER X 8" LONG SIMPSON TITEN HD OR USP SCREW-BOLT+ SCREWS MAY BE SUBSTITUTED ON A 1 FOR 1 BASIS.
- ANY FILL SHALL BE PLACED UNDER THE DIRECTION OR RECOMMENDATION OF A LICENSED PROFESSIONAL ENGINEER. THE RESULTING SOIL SHALL BE COMPACTED TO A MINIMUM OF 95% MAXIMUM DRY DENSITY.
- EXCAVATIONS OF FOOTINGS SHALL BE LINED TEMPORARILY WITH A 6 MIL POLYETHYLENE MEMBRANE IF PLACEMENT OF CONCRETE DOES NOT OCCUR WITHIN 24 HOURS OF EXCAVATION.
- NO CONCRETE SHALL BE PLACED AGAINST ANY SUBGRADE CONTAINING WATER, ICE, FROST, OR LOOSE MATERIAL.
- PROVIDE FOUNDATION WATERPROOFING AND DRAIN WITH POSITIVE SLOPE TO OUTLET AS REQUIRED BY SITE CONDITIONS (SEE ARCHITECTURAL PLANS AND DETAILS).
- NONE OF THE FOUNDATION DESIGNS IN THESE DOCUMENTS ARE SUITABLE FOR INSTALLATION IN SHRINK/SWELL CONDITIONS. REFER TO GEOTECHNICAL ENGINEER FOR APPROPRIATE DESIGN.
- LOTS SHALL BE GRADED TO DRAIN SURFACE WATER AWAY FROM FOUNDATION WALLS. THE GRADE SHALL FALL A MINIMUM OF 6 INCHES WITHIN THE FIRST TEN FEET.
- CRAWL SPACE TO BE GRADED LEVEL AND CLEAR OF ALL DEBRIS.
- PROVIDE MINIMUM 6 MIL APPROVED VAPOR BARRIER. ALL JOINTS TO BE LAPPED MINIMUM 12" AND SEALED.

CONCRETE & REINFORCING

- CONCRETE DESIGN BASED ON ACI 318 AND ACI 318.1 OR ACI 332. CONCRETE SHALL HAVE A NORMAL WEIGHT AGGREGATE AND A MINIMUM COMPRESSIVE STRENGTH (f'_c) = 3,000 PSI MINIMUM AT 28 DAYS PER CODE (VARIES W/ WEATHER), UNLESS OTHERWISE NOTED ON THE PLAN.
- CONCRETE SHALL BE PROPORTIONED, MIXED, AND PLACED IN ACCORDANCE WITH THE LATEST EDITIONS OF ACI 318: "BUILDING CODE REQUIREMENTS FOR REINFORCED CONCRETE" AND ACI 301: "SPECIFICATIONS FOR STRUCTURAL CONCRETE FOR BUILDINGS".
- AIR ENTRAINMENT CONCRETE MUST BE USED FOR ALL STRUCTURAL ELEMENTS EXPOSED TO FREEZE/THAW CYCLES AND DEICING CHEMICALS. AIR ENTRAINMENT AMOUNTS (IN PERCENT) SHALL BE WITHIN -1% TO +2% OF 5% FOR FOOTINGS AND EXTERIOR SLABS.
- NO ADMIXTURES SHALL BE ADDED TO ANY STRUCTURAL CONCRETE WITHOUT WRITTEN PERMISSION OF THE SER. WATER ADDED TO CONCRETE ON SITE SHALL NOT EXCEED THAT ALLOWED BY THE MIX DESIGN.
- CONCRETE SLABS-ON-GRADE SHALL BE CONSTRUCTED IN ACCORDANCE WITH ACI 302.1R: "GUIDE FOR CONCRETE SLAB AND SLAB CONSTRUCTION".
- CONTROL OR SAW CUT JOINTS (CUT OR TOOLED) SHALL BE SPACED IN INTERIOR SLABS-ON-GRADE AT A MAXIMUM OF 15'-0" O.C. AND IN EXTERIOR SLABS-ON-GRADE AT A MAXIMUM OF 10'-0" UNLESS OTHERWISE NOTED. CARE SHALL BE TAKEN TO AVOID RE-ENTRANT CORNERS.
- CONTROL OR SAW CUT JOINTS SHALL BE PRODUCED USING CONVENTIONAL CUT OR TOOLED PROCESSES WITHIN 4 TO 12 HOURS AFTER THE SLAB HAS BEEN FINISHED.
- ALL WELDED WIRE FABRIC (W.W.F.) FOR CONCRETE SLABS-ON-GRADE SHALL BE PLACED AT MID-DEPTH OF SLAB. THE W.W.F. SHALL BE SECURELY SUPPORTED DURING THE CONCRETE POUR. FIBROUS CONCRETE REINFORCEMENT, OR POLYPROPYLENE FIBERS MAY BE USED IN LIEU OF W.W.F. APPLICATION OF POLYPROPYLENE FIBERS PER CUBIC YARD OF CONCRETE SHALL BE PER MANUFACTURER AND COMPLY WITH ASTM C1116, ANY LOCAL BUILDING CODE REQUIREMENTS AND SHALL MEET OR EXCEED CURRENT INDUSTRY STANDARD.
- POLYPROPYLENE REINFORCING TO BE 100% VIRGIN, CONTAINING NO REPROCESSED OLEFIN MATERIALS AND SPECIFICALLY MANUFACTURED FOR USE AS CONCRETE SECONDARY REINFORCEMENT.
- STEEL REINFORCING BARS SHALL BE NEW BILLET STEEL CONFORMING TO ASTM A615, GRADE 60.
- DETAILING, FABRICATION, AND PLACEMENT OF REINFORCING STEEL SHALL BE IN ACCORDANCE WITH THE LATEST EDITION OF ACI 315: "MANUAL OF STANDARD PRACTICE FOR DETAILING CONCRETE STRUCTURES".
- HORIZONTAL FOOTING AND WALL REINFORCEMENT SHALL BE CONTINUOUS AND SHALL HAVE 90° BENDS, OR CORNER BARS WITH THE SAME SIZE/SPACING AS THE HORIZONTAL REINFORCEMENT.
- PROVIDE REINFORCEMENT LAP AS NOTED BELOW, UNLESS NOTED OTHERWISE:
#4 BARS - 30" LENGTH
#5 BARS - 38" LENGTH
#6 BARS - 45" LENGTH
- WHERE REINFORCING DOWELS ARE REQUIRED, THEY SHALL BE EQUIVALENT IN SIZE AND SPACING TO THE VERTICAL REINFORCEMENT. THE DOWEL SHALL EXTEND 48 BAR DIAMETERS VERTICALLY AND 20 BAR DIAMETERS INTO THE FOOTING. SEE KSE FOUNDATION DETAILS.
- WHERE FOOTING BOTTOMS ARE TO BE STEPPED AT SLOPING GRADE CONDITIONS, PROVIDE CONTINUOUS REINFORCING WITH Z BARS (TO MATCH FOOTING REINFORCING) AS REQUIRED.
- BAR SUPPORT ACCESSORIES SHALL BE PROVIDED IN ACCORDANCE WITH THE LATEST ACI MANUAL OF STANDARD PRACTICE FOR DETAILING REINFORCED CONCRETE STRUCTURES, EXCEPT THAT REINFORCING SHALL BE CHAIRED ON THE BOTTOM AND/OR THE SIDES ON BOLSTERS SPACED NOT MORE THAN 4 FEET ON CENTER. NO ROCKS, CMU, CLAY TILE, OR BRICK SHALL BE USED TO SUPPORT REINFORCING.
- FOR GRADE SUPPORTED SLABS, SLAB REINFORCING SHALL BE HELD IN PLACE BY BAR SUPPORTS AND ACCESSORIES AS DESCRIBED IN THE CRSI MANUAL OF STANDARD PRACTICE. BAR SUPPORTS SHALL BE SPACED A MAXIMUM OF 4'-0" O.C. BOTH WAYS IN STRAIGHT LINES ON THE MESH GRID.

MASONRY

- ALL MASONRY SHALL CONFORM TO ASTM C-90, $F'_m=1500$ PSI. ALL BRICK SHALL CONFORM TO ASTM C-216, $F'_m=1500$ PSI. ALL MORTAR SHALL BE TYPE 'S' (TYPE 'M' BELOW GRADE) AND CONFORM TO ASTM C-270. COARSE GROUT SHALL CONFORM TO ASTM C-476 WITH A MAXIMUM AGGREGATE SIZE OF 3/8" AND A MINIMUM COMPRESSIVE STRENGTH OF 2,000 PSI.
- ALL MASONRY WORK SHALL BE IN ACCORDANCE WITH "BUILDING CODE REQUIREMENTS FOR MASONRY STRUCTURES" ACI 530/ASCE 5/TMS 402 AND "SPECIFICATIONS FOR MASONRY STRUCTURES" ACI 530.1/ ASCE 6/TMS 602.
- THE UNSUPPORTED HEIGHT OF SOLID MASONRY PIERS SHALL NOT EXCEED TEN TIMES THEIR LEAST DIMENSION. UNFILLED HOLLOW PIERS MAY BE USED IF THE UNSUPPORTED HEIGHT IS NOT MORE THAN FOUR TIMES THEIR LEAST DIMENSION.
- EACH CRAWL SPACE PIER SHALL BEAR IN THE MIDDLE THIRD OF ITS RESPECTIVE FOOTING AND EACH GIRDER SHALL BEAR IN THE MIDDLE THIRD OF THE PIERS. PILASTERS TO BE BONDED TO PERIMETER FOUNDATION WALL.
- TOP COURSE OF MASONRY SHALL BE GROUTED SOLID.
- HORIZONTAL WALL JOINT REINFORCEMENT SHALL BE STANDARD 9 GAGE GALVANIZED LADDER OR TRUSS TYPE SPACED AT 16" O.C., UNLESS SHOWN OTHERWISE ON THE DRAWINGS.
- SPliced WIRE REINFORCEMENT SHALL BE LAPPED AT LEAST 6" AND CONTAIN AT LEAST ONE CROSS WIRE OF EACH PIECE OF REINFORCEMENT WITHIN THE 6". LAP WITH STANDARD 'T' AND 'L' SHAPED PIECES AT INTERSECTIONS AND CORNERS.

WOOD FRAMING:

- SOLID SAWN WOOD FRAMING MEMBERS SHALL CONFORM TO THE SPECIFICATIONS LISTED IN THE LATEST EDITION OF THE "NATIONAL DESIGN SPECIFICATION FOR WOOD CONSTRUCTION": (NDS). UNLESS OTHERWISE NOTED, ALL WOOD FRAMING MEMBERS ARE DESIGNED TO BE:
SPRUCE-PINE-FIR (SPF) WITH THE FOLLOWING MINIMUM DESIGN VALUES:
 $E=1,400,000$ PSI, $F_c=875$ PSI, $F_b=135$ PSI
1.1. FRAMING: SPF #2.
1.2. PLATES: SPF #2.
1.3. STUDS: SPF STUD GRADE.
- WALL STUD SPACING, (MAXIMUM 10' NOMINAL PLATE HEIGHT):
1 & 2 STORY EXTERIOR AND INTERIOR BEARING:
2x4 @ 16" O.C. OR 2x6 @ 24" O.C., U.N.O.
BOTTOM OF 3 STORIES EXTERIOR AND INTERIOR BEARING:
2x6 @ 16" O.C., U.N.O.
INTERIOR NON-BEARING:
2x @ 24" O.C., U.N.O.
- ALL LUMBER EXPOSED TO WEATHER OR IN CONTACT WITH CONCRETE SHALL BE PRESERVATIVE TREATED SOUTHERN YELLOW PINE #2 OR BETTER.
- ANCHOR SILL PLATES IN ACCORDANCE W/ GENERAL STRUCTURAL NOTES.
- ALL BEAMS SPECIFIED ARE MINIMUM SIZES ONLY. LARGER MEMBERS MAY BE SUBSTITUTED AS NEEDED FOR EASE OF CONSTRUCTION.
- NAILS SHALL BE COMMON WIRE NAILS UNLESS OTHERWISE NOTED.
- BOLT HOLES AND LEAD HOLES FOR LAG SCREWS SHALL BE IN ACCORDANCE WITH NDS SPECIFICATIONS.
- INDIVIDUAL STUDS FORMING A COLUMN SHALL BE ATTACHED WITH (2) ROWS 10d NAILS @ 6" O.C. STAGGERED. THE STUD COLUMN SHALL BE FULLY BLOCKED AT ALL FLOOR LEVELS TO ENSURE PROPER LOAD TRANSFER. WALL SHEATHING SHALL BE NAILED TO EDGE OF EACH STUD.
- FACE NAIL ALL MULTI-PLY BEAMS AND HEADERS WITH (2) ROWS 16d COMMON NAILS @ 16" O.C., STAGGERED, OR PER MANUFACTURER'S SPECIFICATIONS FOR ENGINEERED LUMBER. APPLY NAILING FROM BOTH FACES FOR (3) OR MORE PLYS.
- FASTEN 4-PLY BEAMS WITH (1) 1/2" DIAMETER THROUGH BOLT W/ NUTS AND WASHERS AT 12" O.C. STAGGERED TOP AND BOTTOM, 1/2" MINIMUM EDGE DISTANCE. (UNLESS OTHERWISE NOTED)
- ALL BEAMS AND HEADERS SHALL HAVE (1)2x JACK STUD & (1)2x KING STUD UNLESS OTHERWISE NOTED. THE NUMBER OF STUDS INDICATED ON PLANS ARE THE TOTAL NUMBER OF JACK STUDS REQUIRED, UNLESS OTHERWISE NOTED.
- PROVIDE KING STUDS AT EACH END OF HEADERS AS NOTED BELOW.
(1) STUD UP TO 6' OPENING
(2) STUDS UP TO 8' OPENING
(3) STUDS UP TO 9' OPENING
- ALL BEAMS TO BE CONTINUOUSLY SUPPORTED Laterally AND SHALL BEAR FULL WIDTH ON THE SUPPORTING WALLS OR COLUMNS INDICATED WITH A MINIMUM OF TWO STUDS, UNLESS OTHERWISE NOTED. ALL BEAM SPLICES SHALL OCCUR OVER SUPPORTS.
- SOLID BLOCKING TO BE PROVIDED AT ALL POINT LOADS THROUGH FLOOR LEVELS TO THE FOUNDATION OR TO OTHER STRUCTURAL COMPONENTS.
- ALL LUMBER SPECIFIED ON DRAWINGS IS INTENDED FOR DRY USE ONLY (MOISTURE CONTENT <19%) UNLESS OTHERWISE NOTED.
- ALL WATERPROOFING AND FIRE SAFETY SYSTEMS ARE THE RESPONSIBILITY OF THE CONTRACTOR AND ARE TO BE DESIGNED AND DETAILED BY OTHERS.
- ANY WOOD FRAME INTERIOR BEARING WALL STUDS THAT HAVE HOLES IN THE CENTER OF THE STUD UP TO 1" DIAMETER SHALL HAVE STUD PROTECTION SHIELDS. ALL HOLES OVER 1" IN DIAMETER FOR PLUMBING LINES, ETC. SHALL BE REPAIRED WITH SIMPSON HSS2 OR USP ST51 STUD SHOES, TYPICAL, UNLESS OTHERWISE NOTED.
- BEARING WALLS SHALL BE SHEATHED ON NOT LESS THAN ONE SIDE WITH OSB OR GYPSUM BOARD. BRIDGING SHALL BE INSTALLED NOT GREATER THAN 4 FEET APART MEASURED VERTICALLY FROM EITHER END OF THE STUD IN LIEU OF SHEATHING.
- DIAGONAL BRACING SHALL BE INSTALLED AT EACH END OF BASEMENT BEARING WALLS AND NOT MORE THAN 20' ON CENTER.

EXTERIOR WOOD FRAMED DECKS:

- DECKS ARE TO BE FRAMED IN ACCORDANCE WITH APPLICABLE BUILDING CODES AND AS REFERENCED ON THE STRUCTURAL PLANS, EITHER THROUGH CODE REFERENCES OR CONSTRUCTION DETAILS.
- PRESERVATIVE TREATED WOOD FRAMING TO BE SOUTHERN YELLOW PINE #2 OR BETTER.
- GUARD RAILS REQUIRED AT DECKS. DESIGN BY OTHERS TO MEET MINIMUM CODE REQUIREMENTS.
- PROVIDE DECK LATERAL LOAD AND BRACING CONNECTIONS PER BUILDING CODE.

RAFTER FRAMED ROOF CONSTRUCTION:

- PROVIDE 2x4x4'-0" RAFTER TIES AT 48" O.C.
- RAFTERS SHALL BE SUPPORTED BY PURLINS AND PURLIN BRACES AS SHOWN ON THE PLAN. PURLIN BRACES SHALL NOT BEAR ON ANY CEILING JOIST, STRONGBACK OR HEADER UNLESS SPECIFICALLY SHOWN ON PLAN. RAFTERS MAY BE SPliced AT PURLIN LOCATIONS. CEILING JOISTS SHALL HAVE LATERAL SUPPORT W/ 1x4 FLAT BRACING ON TOP EDGE OF JOIST AT LOOSE JOIST ENDS (WHERE JOISTS NOT FASTENED TO RAFTERS) OR FULL DEPTH BLOCKING. FASTEN END OF BRACING TO RAFTER OR GABLE END FRAMING.
- FASTEN RAFTER AND CEILING JOIST WITH (6) 12d NAILS UNLESS OTHERWISE NOTED.
- PROVIDE VERTICAL 2x6 STRONGBACKS AT CEILING JOISTS @ 8'-0" O.C. THE STRONGBACK ENDS TO GABLE STUDS OR RAFTERS WHERE POSSIBLE. PROVIDE BLOCKING BETWEEN TOP PLATES AND STRONGBACKS. PROVIDE 2x4 FLAT FASTENED TO EACH JOIST WITH (2) 12d NAILS. FASTEN STRONGBACK TO 2x4 FLAT WITH 12d NAILS @ 12" O.C. AND FASTENED TO EACH JOIST WITH (1) 12d TOENAIL.

WOOD TRUSSES (FLOOR & ROOF):

- THE WOOD TRUSS MANUFACTURER/FABRICATOR IS RESPONSIBLE FOR THE DESIGN OF THE WOOD TRUSSES. SUBMIT SEALED SHOP DRAWINGS AND SUPPORTING CALCULATIONS TO THE SER FOR REVIEW PRIOR TO FABRICATION. THE SER SHALL HAVE A MINIMUM OF (5) DAYS FOR REVIEW. THE REVIEW BY THE SER SHALL BE FOR OVERALL COMPLIANCE OF THE DESIGN DOCUMENTS. THE SER SHALL ASSUME NO RESPONSIBILITY FOR THE CORRECTNESS OF THE STRUCTURAL DESIGN FOR THE WOOD TRUSSES.
- THE WOOD TRUSSES SHALL BE DESIGNED FOR ALL REQUIRED LOADINGS AS SPECIFIED IN THE LOCAL BUILDING CODE, THE ASCE STANDARD "MINIMUM DESIGN LOADS FOR BUILDINGS AND OTHER STRUCTURES." (ASCE 7), AND THE LOADING REQUIREMENTS SHOWN ON THESE SPECIFICATIONS. THE TRUSS DRAWINGS SHALL BE COORDINATED WITH ALL OTHER CONSTRUCTION DOCUMENTS AND PROVISIONS PROVIDED FOR LOADS SHOWN ON THESE DRAWINGS INCLUDING BUT NOT LIMITED TO HVAC EQUIPMENT, PIPING, AND ARCHITECTURAL FIXTURES ATTACHED TO THE TRUSSES.
- THE TRUSSES SHALL BE DESIGNED, FABRICATED, AND ERECTED IN ACCORDANCE WITH THE LATEST EDITION OF THE ANSI/TPI 1: "NATIONAL DESIGN STANDARD FOR METAL PLATE CONNECTED WOOD TRUSS CONSTRUCTION".
- THE TRUSS MANUFACTURER SHALL PROVIDE ADEQUATE BRACING INFORMATION IN ACCORDANCE WITH "BUILDING COMPONENT SAFETY INFORMATION GUIDE TO GOOD PRACTICE FOR HANDLING, INSTALLING, RESTRAINING & BRACING OF METAL PLATE CONNECTED WOOD TRUSSES" (BCSI). THIS BRACING, BOTH TEMPORARY AND PERMANENT, SHALL BE SHOWN ON THE SHOP DRAWINGS. ALSO, THE SHOP DRAWINGS SHALL SHOW THE REQUIRED ATTACHMENTS FOR THE TRUSSES.
- THE CONTRACTOR IS RESPONSIBLE FOR INSTALLING TEMPORARY BRACING AND SHORING FOR THE FLOOR AND ROOF TRUSSES AS REQUIRED DURING CONSTRUCTION. AT A MINIMUM, CONTRACTOR SHALL FOLLOW THE REQUIREMENTS OF THE LATEST BCSI. THE CONTRACTOR SHALL KEEP A COPY OF THE BCSI SUMMARY SHEETS ON SITE.
- THE CONTRACTOR IS RESPONSIBLE FOR INSTALLING ALL PERMANENT TRUSS BRACING SHOWN IN THE STRUCTURAL DRAWINGS AND IN THE TRUSS DESIGNS. ALL CONTINUOUS LATERAL BRACING OF WEBS REQUIRES BRACES. REFER TO BCSI SUMMARY SHEET B3 FOR TYPES OF DIAGONAL BRACES TO PROVIDE AT EACH CONTINUOUS LATERAL BRACE LINE. SUCH DIAGONAL BRACES SHALL NOT BE SPACED MORE THAN 20 FEET O.C. DIAGONAL BRACES SHALL BE FASTENED TO EACH TRUSS WEB WITH A MINIMUM OF TWO 10d FACE NAILS. WHERE CONTINUOUS LATERAL BRACING CANNOT BE INSTALLED, DUE TO A MINIMUM OF THREE ADJACENT TRUSSES NOT BEING IDENTICAL, THE CONTRACTOR SHALL COORDINATE WITH THE TRUSS SPECIALTY ENGINEER/MANUFACTURER TO DETERMINE WHAT TYPE OF ALTERNATE BRACE (I.E., T OR L BRACE, ETC.) IS REQUIRED.
- ANY CHORDS OR TRUSS WEBS SHOWN ON THESE DRAWINGS HAVE BEEN SHOWN AS A REFERENCE ONLY. THE FINAL DESIGN OF THE TRUSSES SHALL BE PER THE MANUFACTURER.
- TRUSS LAYOUT AND PLACEMENT BY MANUFACTURER TO COINCIDE WITH THE SUPPORT LOCATIONS SHOWN ON THE SEALED STRUCTURAL DRAWINGS. TRUSS PROFILES TO BE SEALED BY THE TRUSS MANUFACTURER. TRUSS PLANS TO BE COORDINATED WITH THE SEALED STRUCTURAL DRAWINGS.
- TRUSS MANUFACTURER TO PROVIDE REQUIRED UPLIFT CONNECTORS FOR ALL TRUSSES.
- PROVIDE SIMPSON H2.5A, USP R17 OR EQUIVALENT AT EACH TRUSS TO TOP PLATE CONNECTION, UNLESS OTHERWISE NOTED.

WOOD STRUCTURAL PANELS:

- FABRICATION AND PLACEMENT OF STRUCTURAL WOOD SHEATHING SHALL BE IN ACCORDANCE WITH THE APA DESIGN/CONSTRUCTION GUIDE "RESIDENTIAL AND COMMERCIAL," AND ALL OTHER APPLICABLE APA STANDARDS.
- ALL REQUIRED WOOD SHEATHING SHALL BEAR THE MARK OF THE APA.
- WOOD WALL SHEATHING SHALL COMPLY WITH THE REQUIREMENTS OF LOCAL BUILDING CODES FOR THE APPROPRIATE STATE AS INDICATED ON THESE DRAWINGS. REFER TO WALL BRACING NOTES IN PLAN SET FOR MORE INFORMATION. EXTERIOR WALLS TO BE FULLY SHEATHED USING 3/8" OSB OR PLYWOOD MINIMUM. AT BRACED WALL PANELS, PROVIDE BLOCKING AT ALL SHEET EDGES NOT FALLING ON STUDS OR PLATES.
- ROOF SHEATHING SHALL BE APA RATED SHEATHING EXPOSURE 1 OR 2. ROOF SHEATHING SHALL BE CONTINUOUS OVER TWO SUPPORTS MINIMUM AND ATTACHED TO ITS SUPPORTING ROOF FRAMING WITH 8d NAILS AT 6" O.C. AT PANEL EDGES AND AT 12" O.C. IN PANEL FIELD UNLESS OTHERWISE NOTED ON THE PLANS. SHEATHING SHALL BE APPLIED WITH THE LONG DIRECTION PERPENDICULAR TO FRAMING. SHEATHING SHALL HAVE A SPAN RATING CONSISTENT WITH THE FRAMING SPACING. PROVIDE SUITABLE EDGE SUPPORT BY USE OF PLYWOOD CLIPS OR LUMBER BLOCKING UNLESS OTHERWISE NOTED. PANEL END JOINTS SHALL OCCUR OVER FRAMING. ROOF SHEATHING TO BE 3/8" OSB MINIMUM.
- WOOD FLOOR SHEATHING SHALL BE APA RATED SHEATHING EXPOSURE 1 OR 2. ATTACH SHEATHING TO ITS SUPPORTING FRAMING WITH (1) 10d NAIL AT 6" O.C. AT PANEL EDGES AND AT 12" O.C. IN PANEL FIELD UNLESS OTHERWISE NOTED ON THE PLANS. SHEATHING SHALL BE APPLIED PERPENDICULAR TO FRAMING. SHEATHING SHALL HAVE A SPAN RATING CONSISTENT WITH THE FRAMING SPACING. PROVIDE SUITABLE EDGE SUPPORT BY USE OF T&G PLYWOOD OR LUMBER BLOCKING UNLESS OTHERWISE NOTED. PANEL END JOINTS SHALL OCCUR OVER FRAMING.
- SHEATHING SHALL HAVE A 1/8" GAP AT PANEL ENDS AND EDGES AS RECOMMENDED IN ACCORDANCE WITH THE APA.

STRUCTURAL FIBERBOARD PANELS:

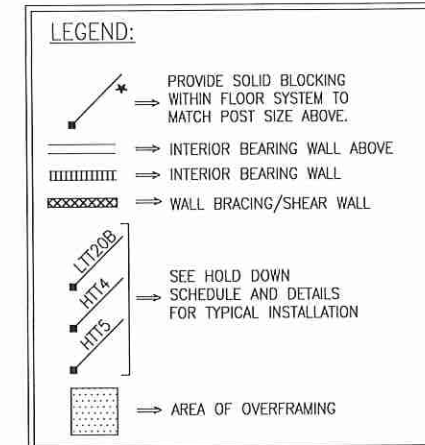
- STRUCTURAL FIBERBOARD SHEATHING SHALL ONLY BE USED WHERE SPECIFICALLY NOTED ON THE STRUCTURAL PLANS.
- FABRICATION AND PLACEMENT OF STRUCTURAL FIBERBOARD SHEATHING SHALL BE IN ACCORDANCE WITH THE APPLICABLE AFA STANDARDS.
- FIBERBOARD WALL SHEATHING SHALL COMPLY WITH THE REQUIREMENTS OF LOCAL BUILDING CODES FOR THE APPROPRIATE STATE AS INDICATED ON THESE DRAWINGS. REFER TO WALL BRACING NOTES IN PLAN SET FOR MORE INFORMATION.
- SHEATHING SHALL HAVE A 1/8" GAP AT PANEL ENDS AND EDGES AS RECOMMENDED IN ACCORDANCE WITH THE AFA.

STRUCTURAL STEEL:

- STRUCTURAL STEEL SHALL BE FABRICATED AND ERECTED IN ACCORDANCE WITH THE AMERICAN INSTITUTE OF STEEL CONSTRUCTION "CODE OF STANDARD PRACTICE FOR STEEL BUILDINGS AND BRIDGES" AND OF THE MANUAL OF STEEL CONSTRUCTION "LOAD RESISTANCE FACTOR DESIGN" LATEST EDITIONS.
- ALL STEEL SHALL HAVE A MINIMUM YIELD STRESS (F_y) OF 50 KSI UNLESS OTHERWISE NOTED.
- WELDING SHALL CONFORM TO THE LATEST EDITION OF THE AMERICAN WELDING SOCIETY'S STRUCTURAL WELDING CODE AWA D1.1. ELECTRODES FOR SHOP AND FIELDING WELDING SHALL BE CLASS E70XX. ALL WELDING SHALL BE PERFORMED BY A CERTIFIED WELDER PER THE ABOVE STANDARDS.
- ALL STEEL BEAMS TO BE SUPPORTED AT EACH END WITH A MINIMUM BEARING LENGTH OF 3/2" AND FULL FLANGE WIDTH UNLESS OTHERWISE NOTED. BEAMS MUST BE ATTACHED AT EACH END WITH A MINIMUM OF FOUR 16d NAILS OR (2) 1/2" x 4" LAG SCREWS UNLESS OTHERWISE NOTED.
- INSTALL 2x WOOD PLATE ON TOP OF STEEL BEAMS, RIPPED TO MATCH BEAM WIDTH. FASTEN PLATE TO BEAM W/ HILTI X-DNI 52 P8 PINS AT 12" O.C. STAGGERED OR 1/2" DIAMETER BOLTS AT 24" O.C.

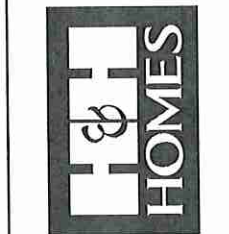
MECHANICAL FASTENERS:

- ALL METAL HARDWARE AND FASTENERS TO BE SIMPSON STRONG-TIE OR APPROVED EQUIVALENT.
- ALL HARDWARE AND FASTENERS IN CONTACT WITH PRESERVATIVE PRESSURE TREATED LUMBER SHALL BE HOT DIPPED GALVANIZED IN ACCORDANCE WITH ASTM A 153, G-185.
- MANY OF THE NEW PRESSURE TREATED WOODS USE CHEMICALS THAT ARE CORROSIVE TO STEEL. IT IS THE CONTRACTOR'S RESPONSIBILITY TO VERIFY THE TYPE OF WOOD TREATMENT AND SELECT APPROPRIATE CONNECTORS THAT WILL RESIST THE APPLICABLE CORROSIVE CHEMICALS.



BRICK VENEER LINTEL SCHEDULE		
SPAN	LINTEL SIZE	END BEARING
UP TO 3'-0"	3 1/2" x 3 1/2" x 1/4"	4"
UP TO 6'-3"	5" x 3 1/2" x 3/16" L.L.V.	8"
UP TO 9'-6"	6" x 3 1/2" x 3/16" L.L.V.	12"

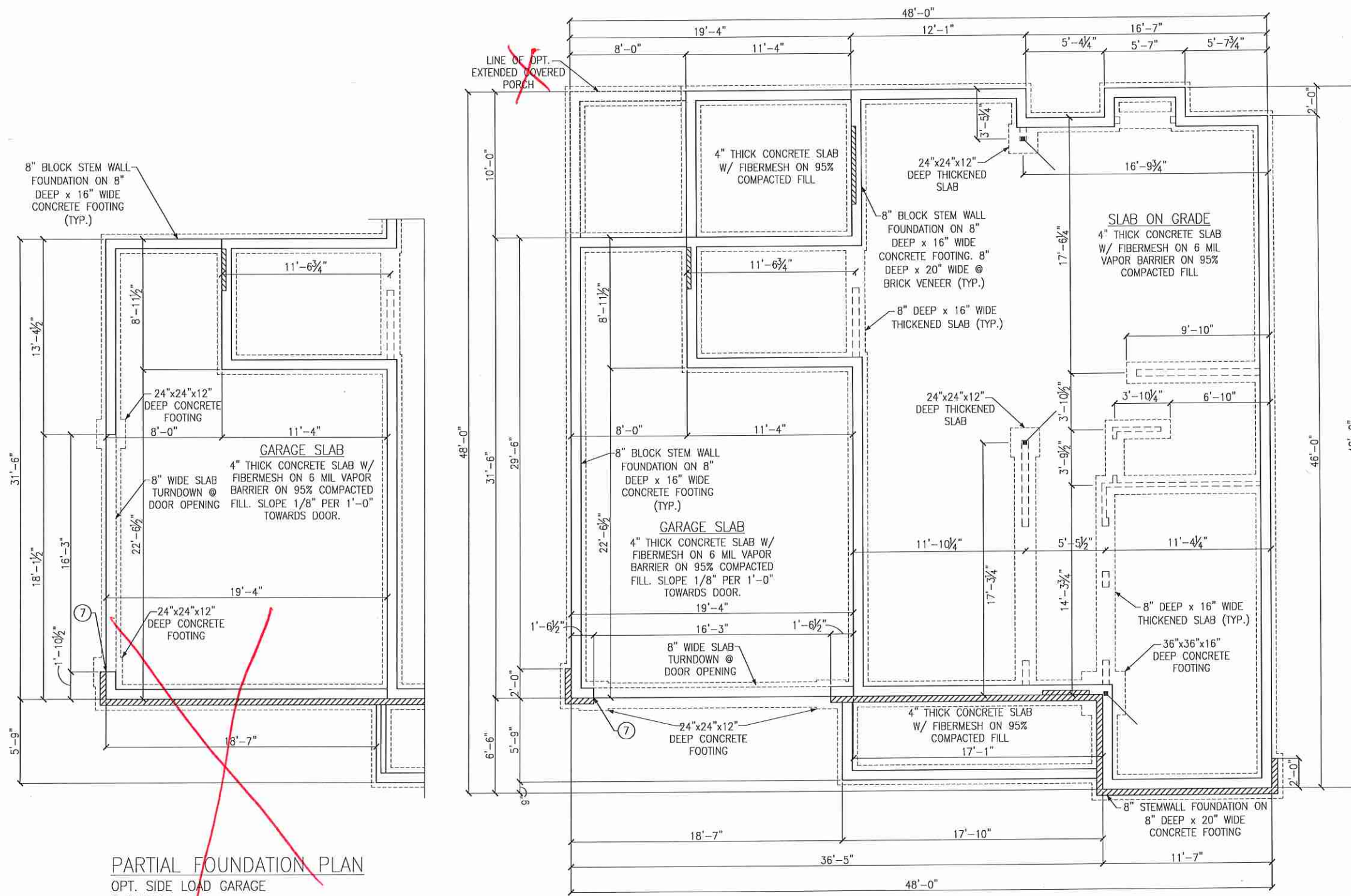
LINTELS ARE NOT DESIGNED TO BE BOLTED TO HEADERS UNLESS SPECIFIED ON UNIT PLANS.
SPANS OVER 4'-0" SHALL BE SHORED UP UNTIL CURED.



General Structural Notes
120 M.P.H.
Carolina Division

Project #: 105-19000
Designed By: KRK
Checked By:
Issue Date: 1/1/19
Re-Issue:
Scale: 1/8"=1'-0" @ 11x17
1/4"=1'-0" @ 22x34





PARTIAL FOUNDATION PLAN
OPT. SIDE LOAD GARAGE
ELEVATION A

STEMWALL FOUNDATION PLAN
ELEVATION A

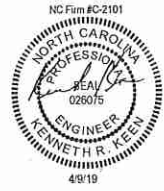
LEGEND

- PROVIDE SOLID BLOCKING WITHIN FLOOR SYSTEM TO MATCH POST SIZE ABOVE.
- BEARING WALL ABOVE
- INTERIOR BEARING WALL
- BRACED WALL PANEL (SEE KSE STRUCTURAL DETAIL SHEETS FOR BRACED WALL PANEL SHEATHING FASTENING & BLOCKING DETAILS)
- 48" WSP
- LOCATION OF DOOR ABOVE

REFER TO KSE STRUCTURAL DETAILS SHEETS FOR GENERAL STRUCTURAL NOTES AND TYPICAL DETAILS

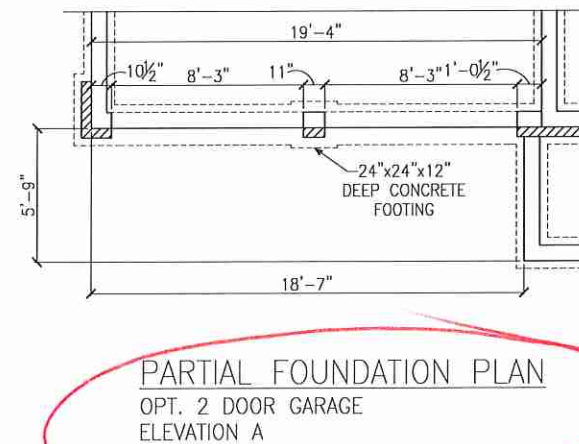
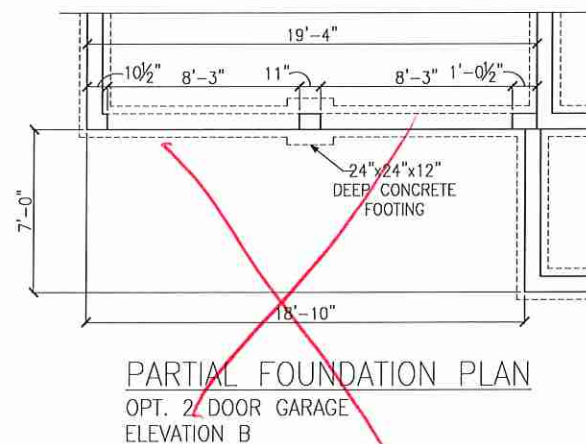
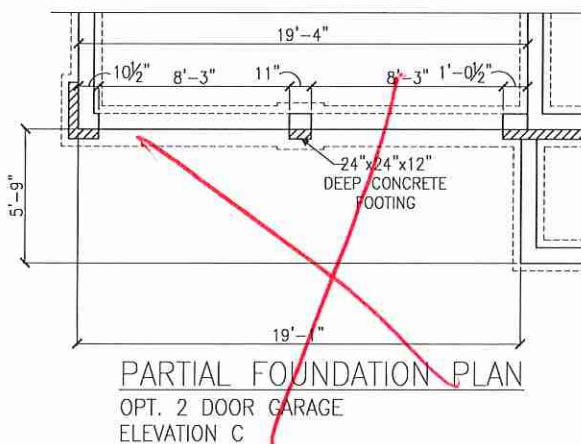
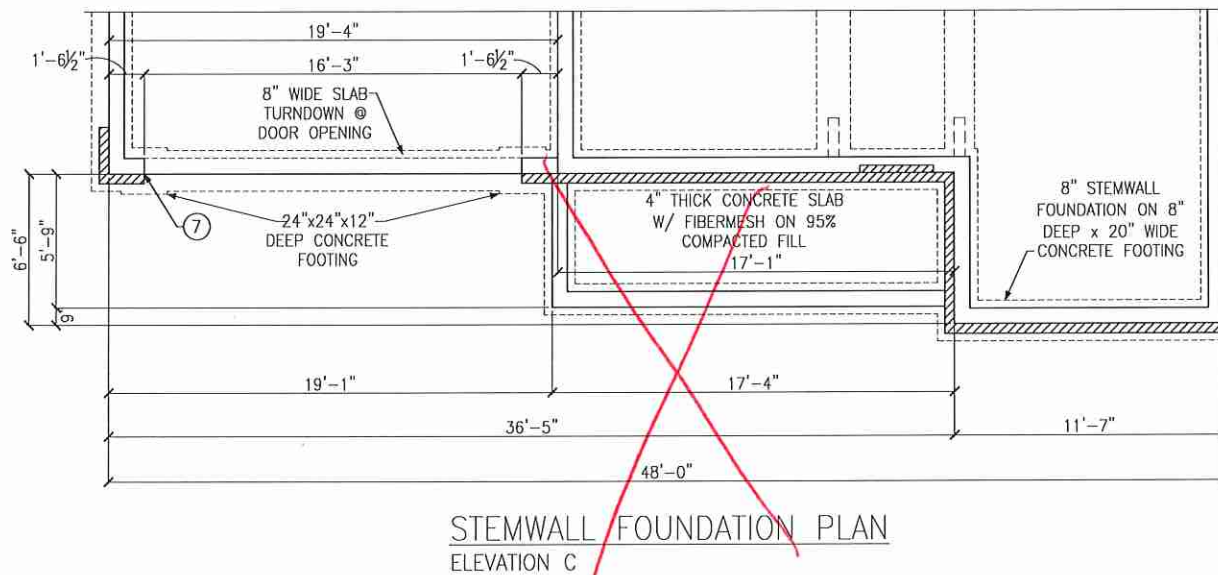
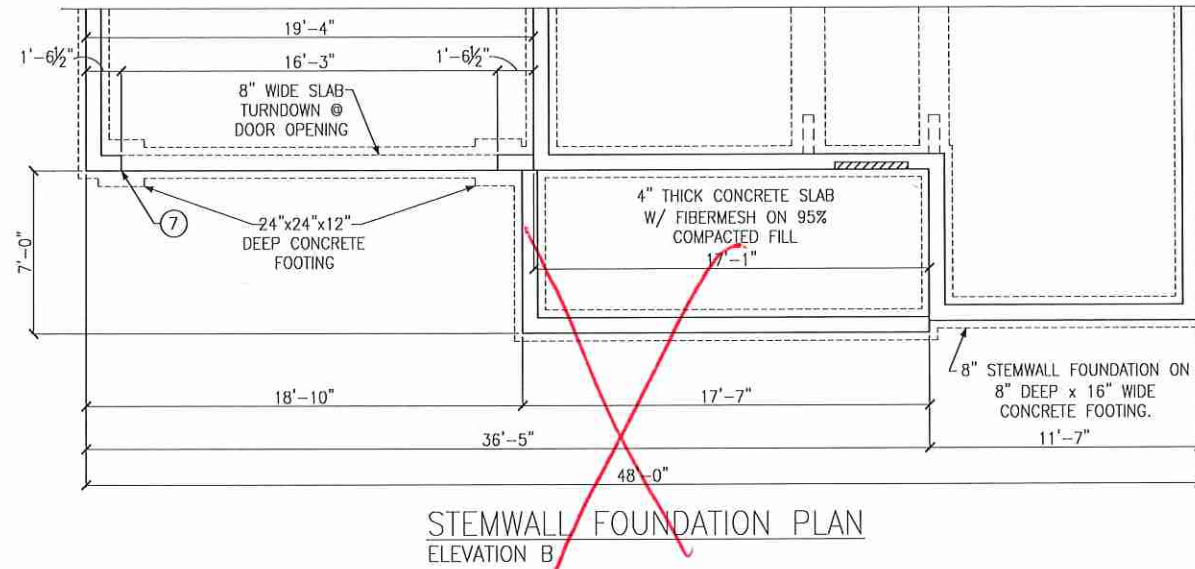
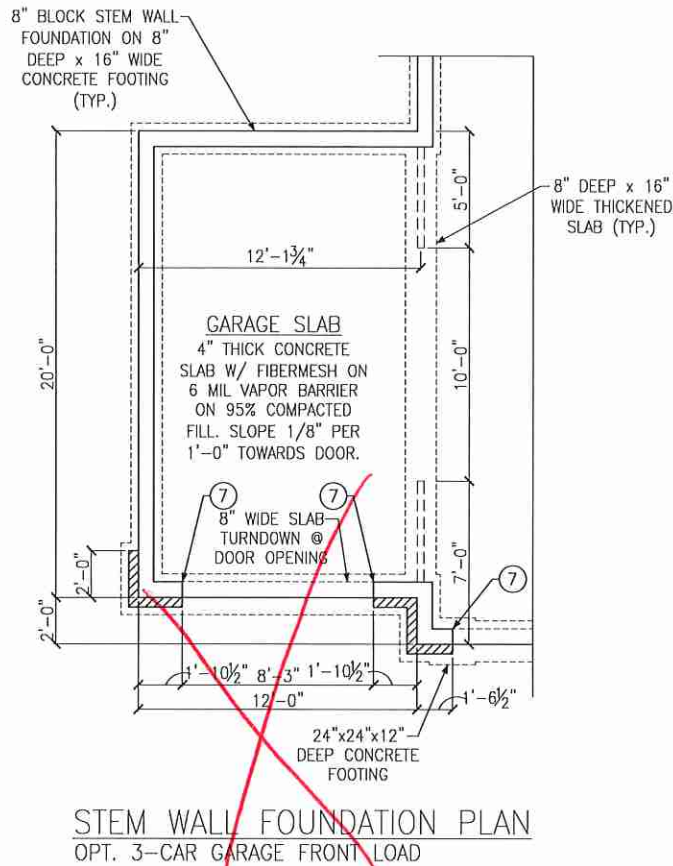
KEYNOTES:

⑦ REINFORCE 8" CMU WALL AND FOOTING UNDER PORTAL FRAME PER DETAIL A OR B/SD-4.



Stem Wall Foundation Plans
Elevation A & Option
Dogwood Model - LH
120 M.P.H.
Carolina Division

Project #: 105-16007
Designed By: KRK
Checked By:
Issue Date: 4/9/19
Re-Issue:
Scale: 1/8"=1'-0" @ 11x17
1/4"=1'-0" @ 22x34



LEGEND

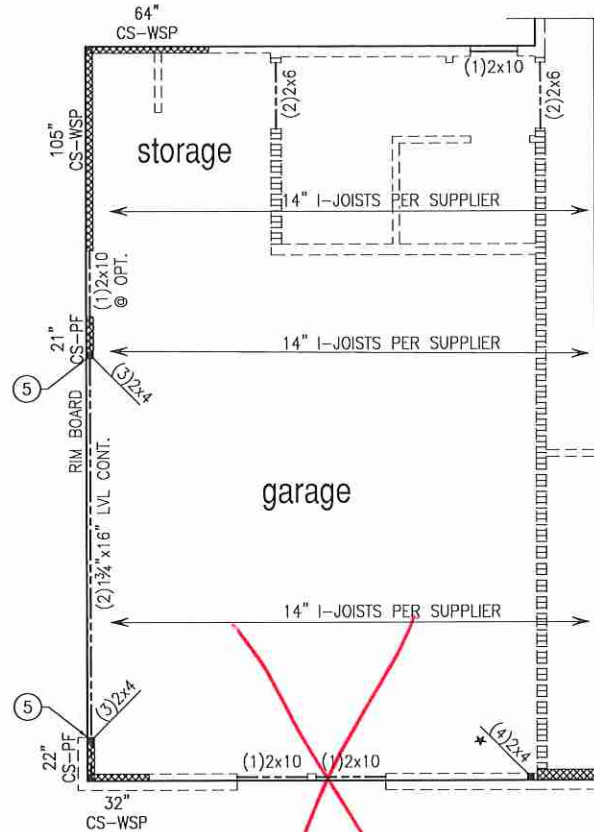
- PROVIDE SOLID BLOCKING WITHIN FLOOR SYSTEM TO MATCH POST SIZE ABOVE.
- BEARING WALL ABOVE
- INTERIOR BEARING WALL
- BRACED WALL PANEL (SEE KSE STRUCTURAL DETAIL SHEETS FOR BRACED WALL PANEL SHEATHING FASTENING & BLOCKING DETAILS)
- LOCATION OF DOOR ABOVE

REFER TO KSE STRUCTURAL DETAILS SHEETS FOR GENERAL STRUCTURAL NOTES AND TYPICAL DETAILS

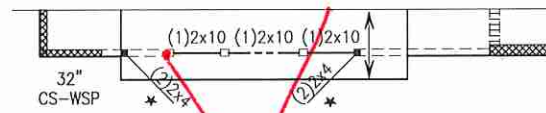
KEYNOTES:

- ⑦ REINFORCE 8" CMU WALL AND FOOTING UNDER PORTAL FRAME PER DETAIL A OR B/SD-4.

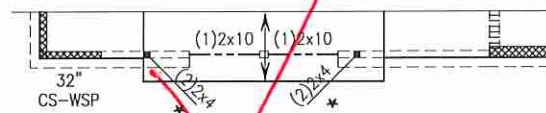




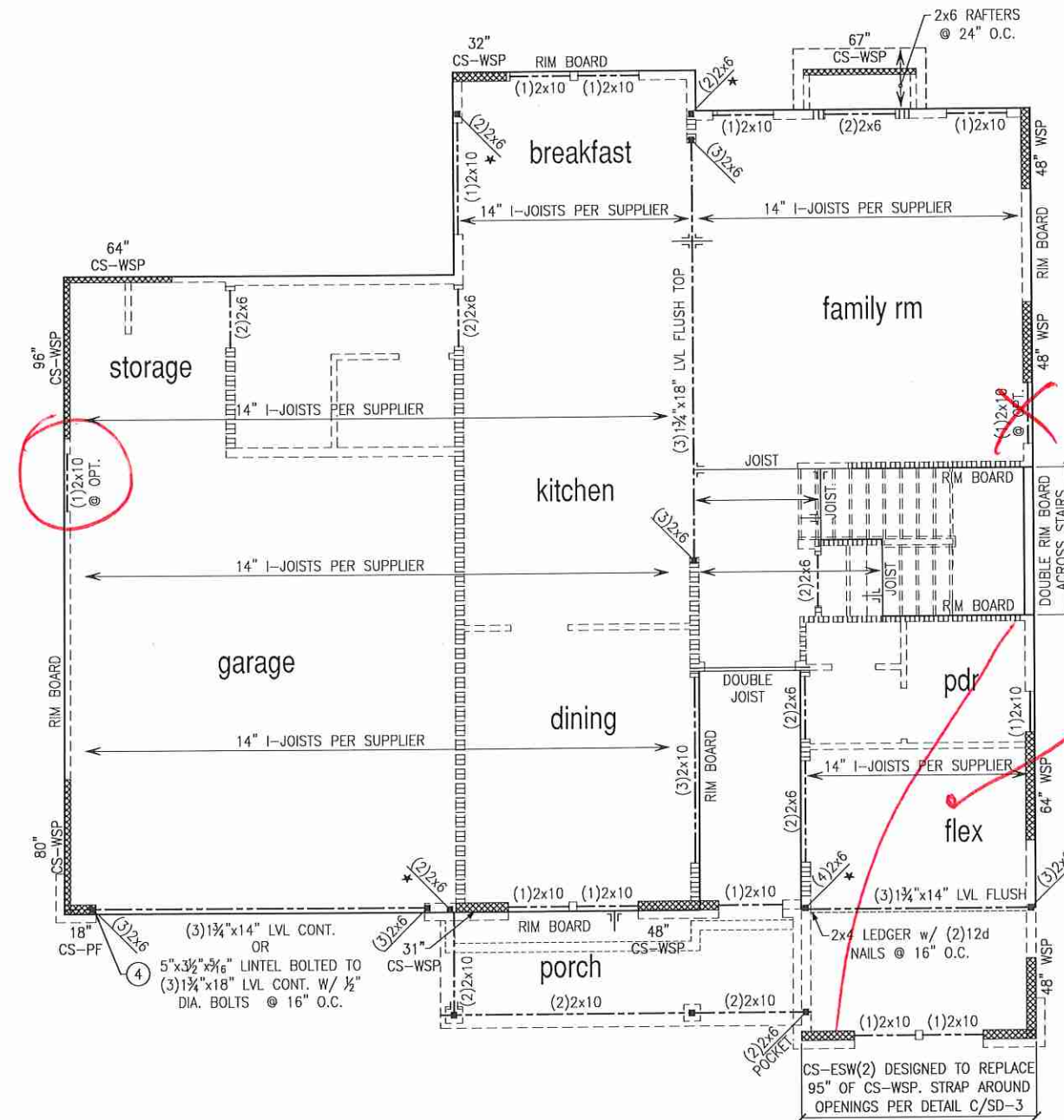
PARTIAL FRAMING PLAN
 OPT. SIDE LOAD GARAGE
 ELEVATION A



PARTIAL FRAMING PLAN
 OPT. SIDE LOAD GARAGE
 ELEVATION B



PARTIAL FRAMING PLAN
 OPT. SIDE LOAD GARAGE
 ELEVATION C



SECOND FLOOR FRAMING PLAN
 ELEVATION A

LEGEND

- PROVIDE SOLID BLOCKING WITHIN FLOOR SYSTEM TO MATCH POST SIZE ABOVE.
- BEARING WALL ABOVE
- INTERIOR BEARING WALL
- BRACED WALL PANEL (SEE KSE STRUCTURAL DETAIL SHEETS FOR BRACED WALL PANEL SHEATHING FASTENING & BLOCKING DETAILS)

REFER TO KSE STRUCTURAL DETAILS SHEETS FOR GENERAL STRUCTURAL NOTES AND TYPICAL DETAILS

PLAN DESIGNED WITH 9' WALL PLATES

FLOOR FRAMING TO BE 14" DEEP TJI 110 SERIES OR EQUAL, SPACING PER MANUFACTURER.

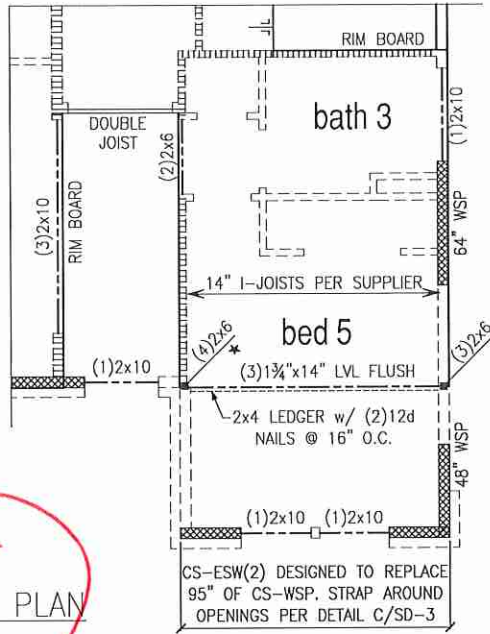
KEYNOTES:

- ④ INSTALL ONE PANEL CS-PF PORTAL FRAME PER DETAIL A OR B/SD-4.
- ⑤ INSTALL TWO PANEL CS-PF PORTAL FRAME PER DETAIL A OR B/SD-4.

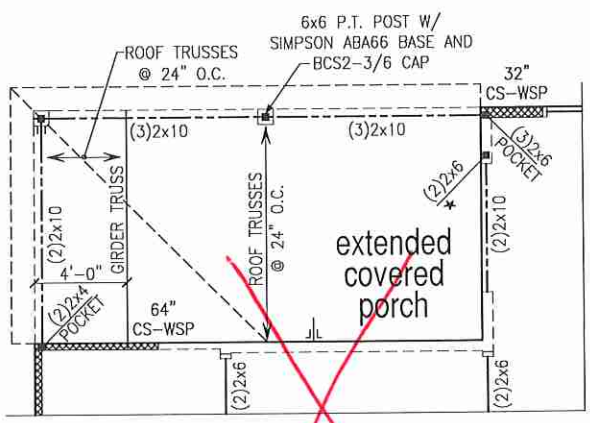


Second Floor Framing Plans
 Elevation A
 Dogwood Model - LH
 120 M.P.H.
 Carolina Division

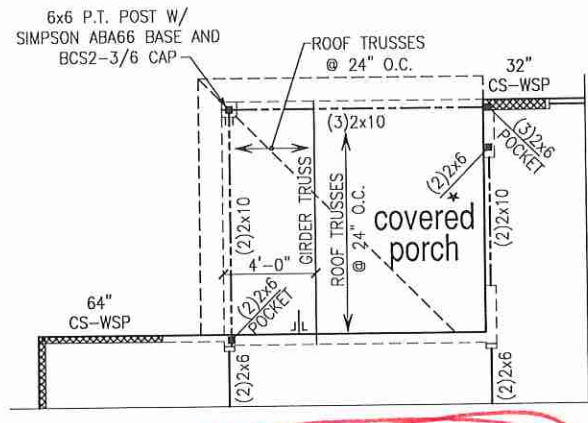
Project #: 105-16007
 Designed By: KRK
 Checked By:
 Issue Date: 4/9/19
 Re-issue:
 Scale: 1/8"=1'-0" @ 11x17
 1/4"=1'-0" @ 22x34



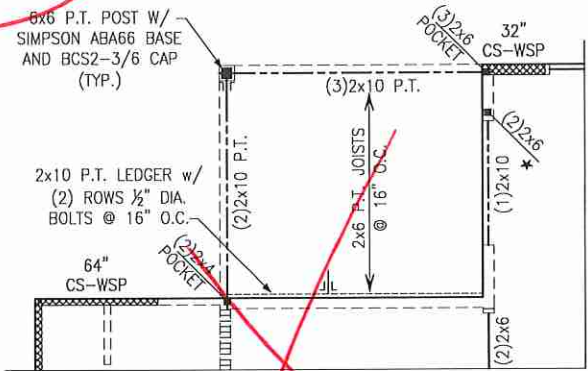
PARTIAL FRAMING PLAN
OPT. BED 5/BATH3



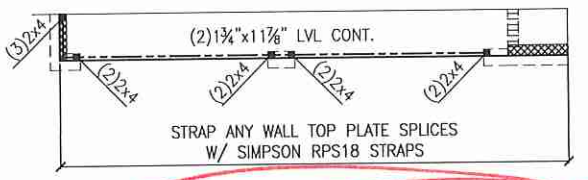
PARTIAL FRAMING PLAN
OPT. EXTENDED COVERED PATIO



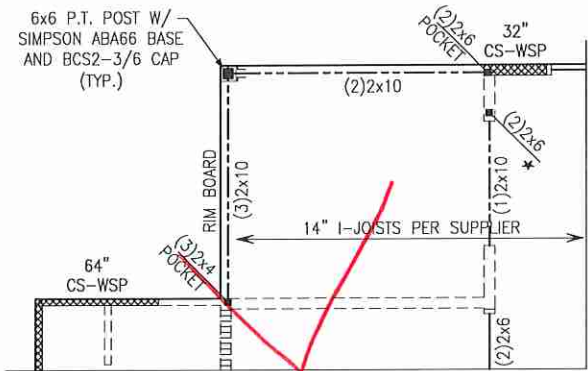
PARTIAL FRAMING PLAN
OPT. COVERED PATIO



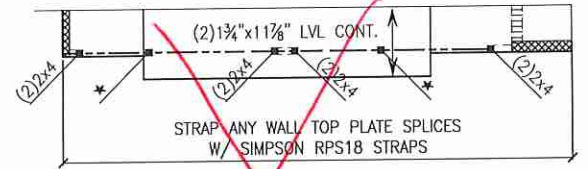
PARTIAL FRAMING PLAN
OPT. COVERED DECK OVER PATIO



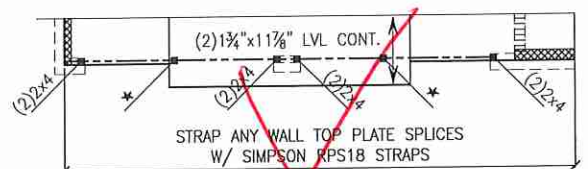
PARTIAL FRAMING PLAN
OPT. 2 DOOR GARAGE
ELEVATION A



PARTIAL FRAMING PLAN
OPT. EXPANDED WIC OVER PATIO



PARTIAL FRAMING PLAN
OPT. 2 DOOR GARAGE
ELEVATION B



PARTIAL FRAMING PLAN
OPT. 2 DOOR GARAGE
ELEVATION C

LEGEND

- ★ → PROVIDE SOLID BLOCKING WITHIN FLOOR SYSTEM TO MATCH POST SIZE ABOVE.
- BEARING WALL ABOVE
- ▤ INTERIOR BEARING WALL
- ▨ BRACED WALL PANEL (SEE KSE STRUCTURAL DETAIL SHEETS FOR BRACED WALL PANEL SHEATHING FASTENING & BLOCKING DETAILS)
- 48" WSP

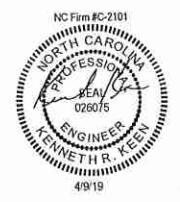
REFER TO KSE STRUCTURAL DETAILS SHEETS FOR GENERAL STRUCTURAL NOTES AND TYPICAL DETAILS

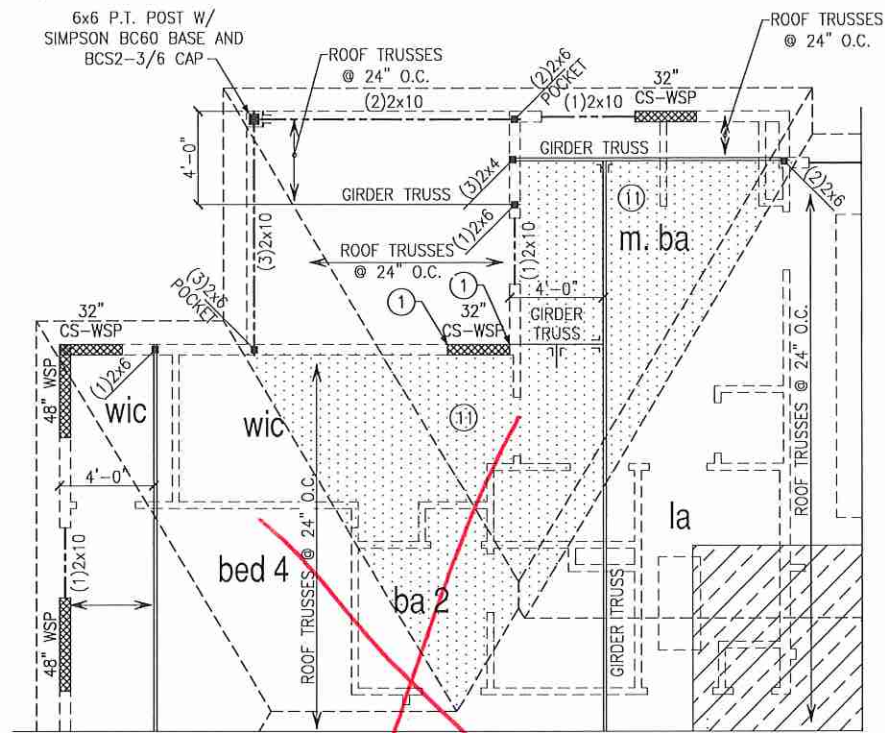
PLAN DESIGNED WITH 9" WALL PLATES

FLOOR FRAMING TO BE 14" DEEP TJI 110 SERIES OR EQUAL, SPACING PER MANUFACTURER.

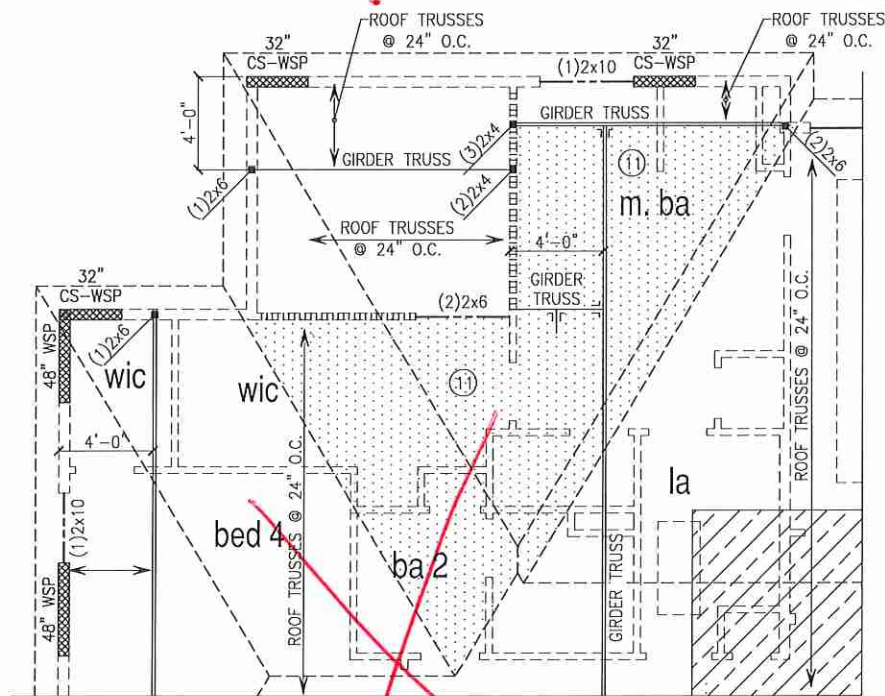
KEYNOTES:

- ④ INSTALL ONE PANEL CS-PF PORTAL FRAME PER DETAIL A OR B/SD-4.
- ⑤ INSTALL TWO PANEL CS-PF PORTAL FRAME PER DETAIL A OR B/SD-4.

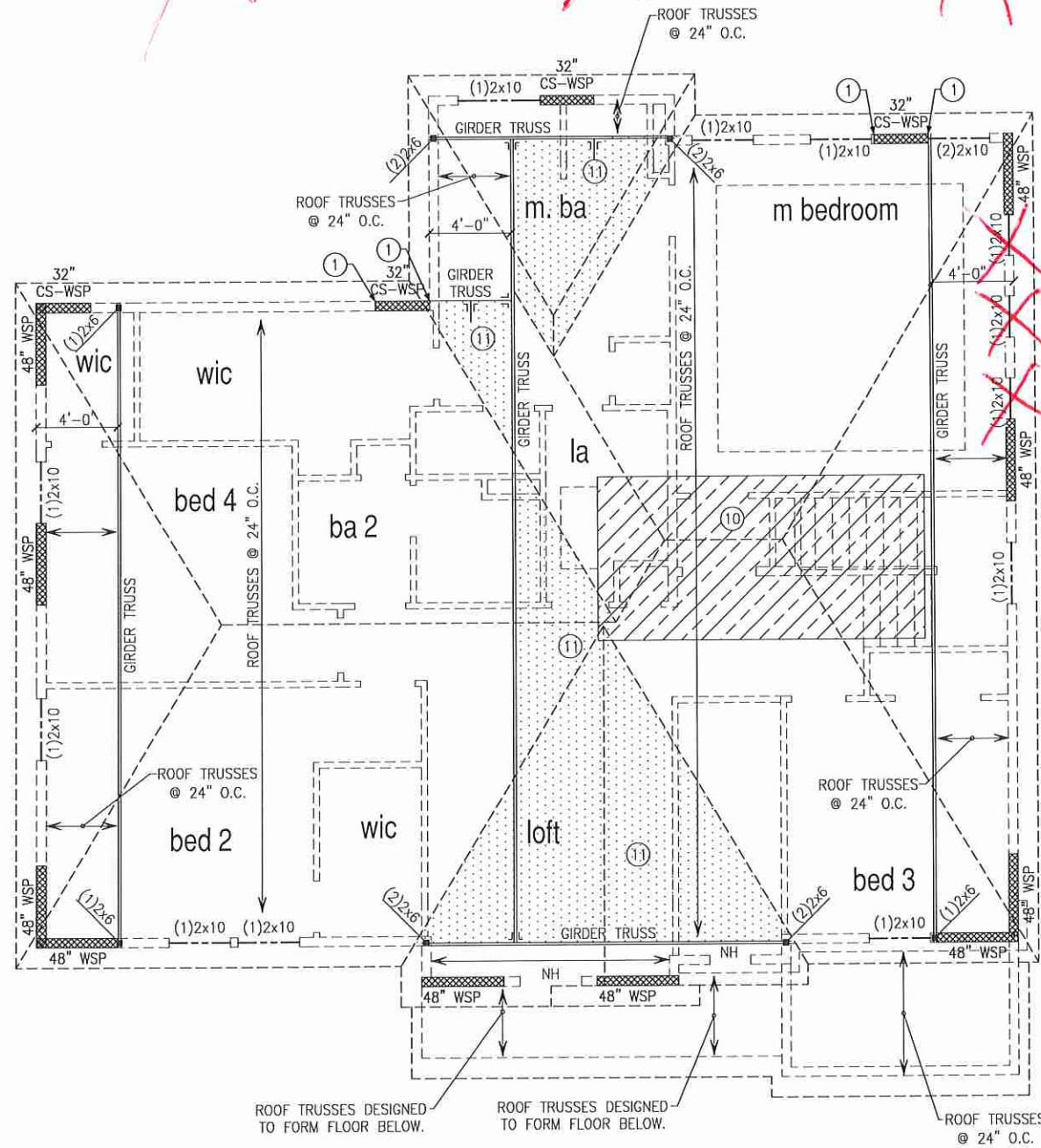
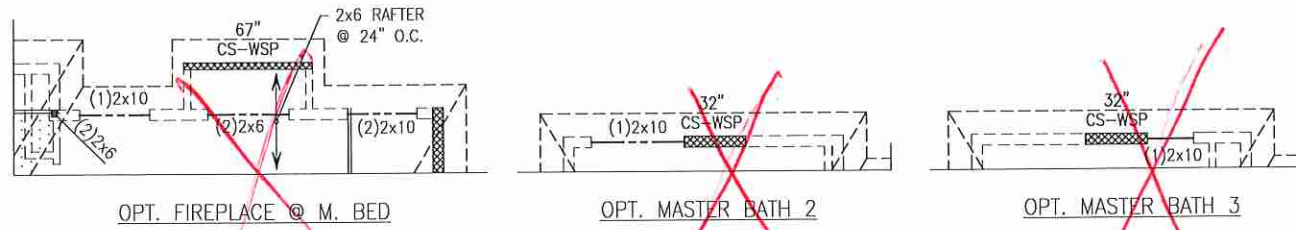




ROOF FRAMING PLAN
OPT. COVERED DECK



ROOF FRAMING PLAN
OPT. EXPANDED WIC



ROOF FRAMING PLAN
ELEVATION A

LEGEND

- PROVIDE SOLID BLOCKING WITHIN FLOOR SYSTEM TO MATCH POST SIZE ABOVE.
- BEARING WALL ABOVE
- INTERIOR BEARING WALL
- BRACED WALL PANEL (SEE KSE STRUCTURAL DETAIL SHEETS FOR BRACED WALL PANEL SHEATHING FASTENING & BLOCKING DETAILS)

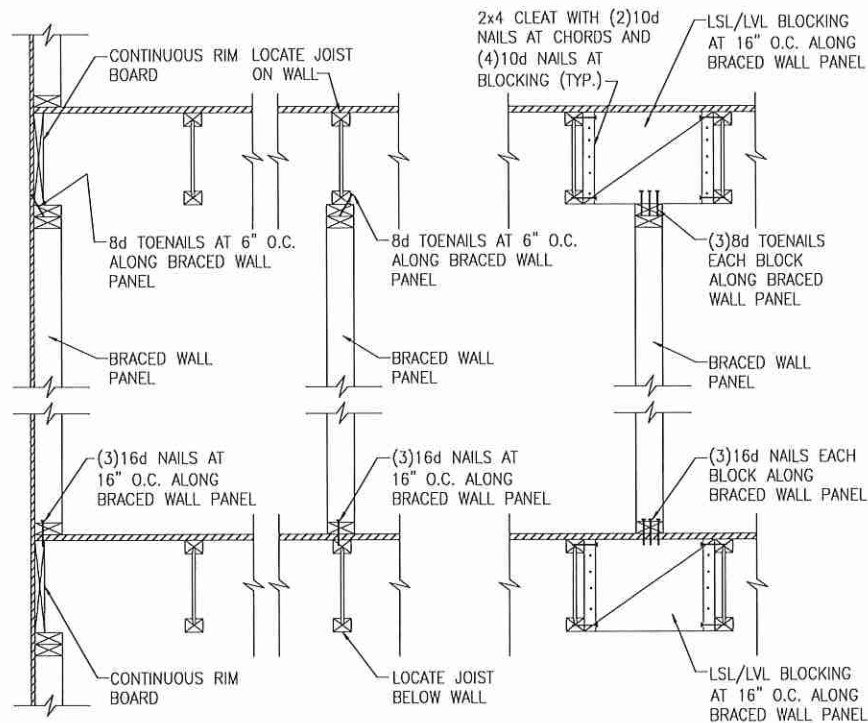
REFER TO KSE STRUCTURAL DETAILS SHEETS FOR GENERAL STRUCTURAL NOTES AND TYPICAL DETAILS

PLAN DESIGNED WITH 9' WALL PLATES

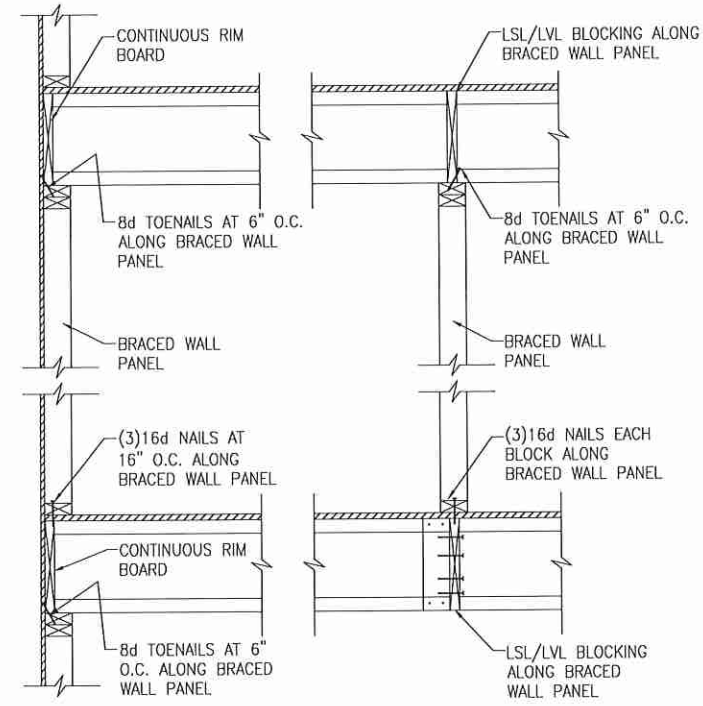
KEYNOTES:

- ① CONNECT STUD AT END OF BRACED WALL PANEL TO FRAMING BELOW WITH A 30" LONG SIMPSON CS22 COIL STRAP WITH MIN 8-10d NAILS EACH END.
- ⑩ 8'x16" HVAC PLATFORM TRUSSES DESIGNED TO SUPPORT HVAC UNITS.
- ⑪ 2x6 OVERFRAMING W/ 2x8 RIDGE AND VALLEY PLATES OR VALLEY SET TRUSSES @ 24" O.C. (TYP.)

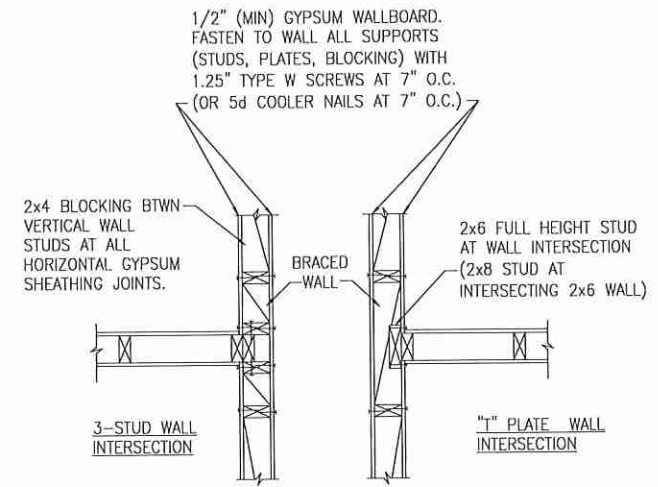




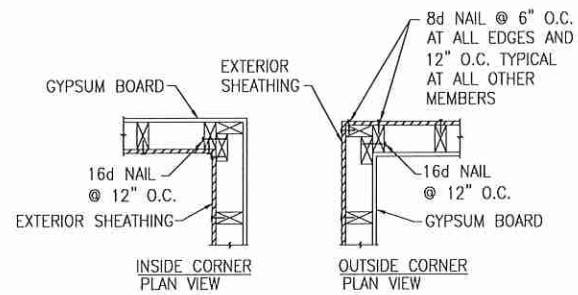
A TYPICAL BRACED WALL PANEL TO FLOOR/CEILING CONNECTION
BRACED WALL PANELS PARALLEL TO I-JOISTS



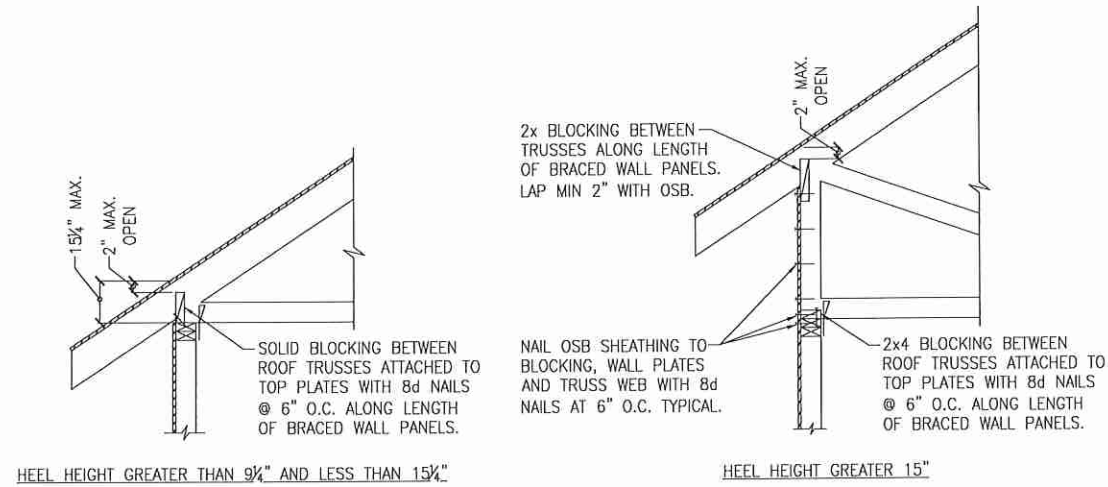
B TYPICAL BRACED WALL PANEL TO FLOOR/CEILING CONNECTION
BRACED WALL PANELS PERPENDICULAR TO I-JOISTS



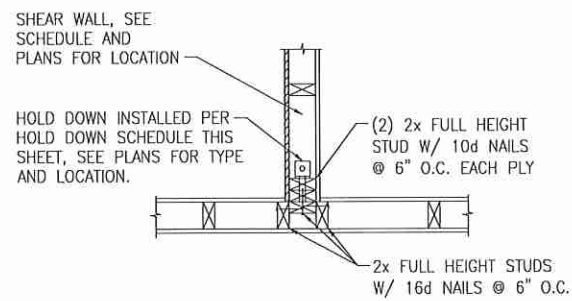
C METHOD GB(1) AND GB(2) INTERSECTION DETAILS



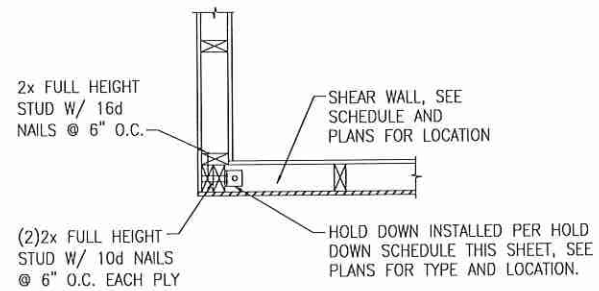
D TYPICAL EXTERIOR CORNER WALL FRAMING



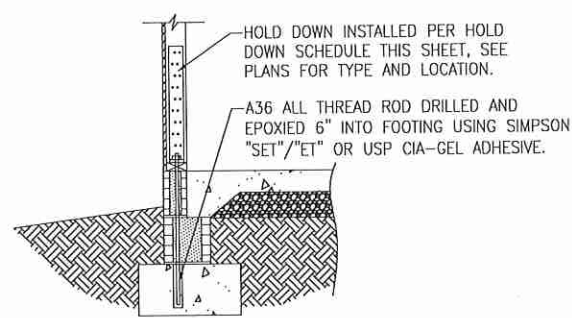
E ROOF TRUSS BEARING/BLOCKING AT BRACED WALL PANELS
ONLY REQUIRED AT BRACED WALL PANELS



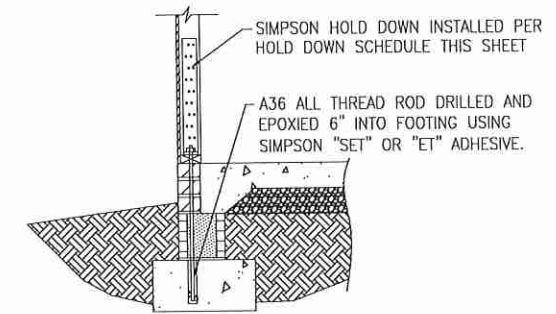
A TYPICAL HOLD DOWN DETAIL



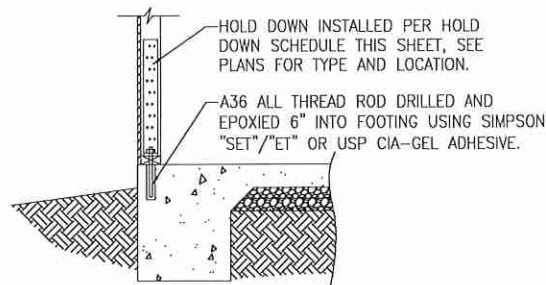
B TYPICAL HOLD DOWN DETAIL



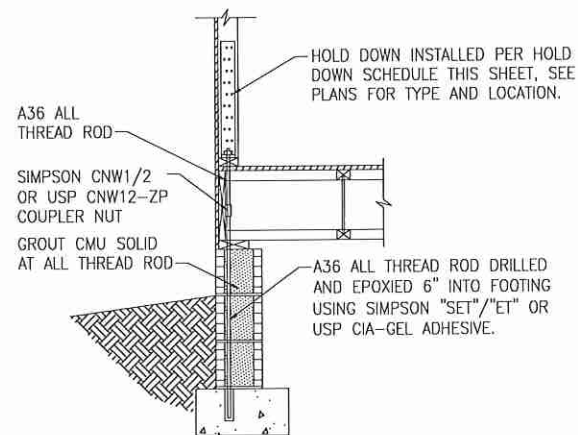
C HOLD DOWN AT STEMWALL SLAB FOUNDATION



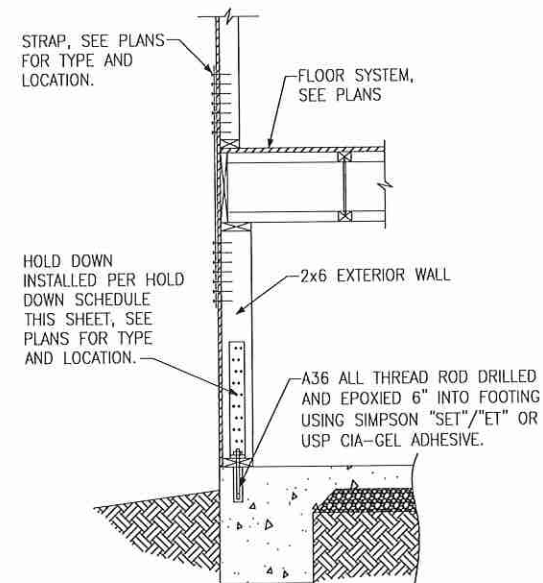
C HOLD DOWN AT STEMWALL SLAB



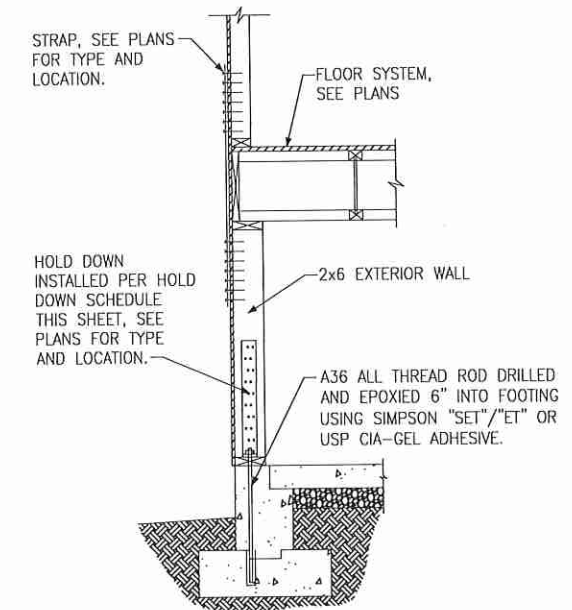
D HOLD DOWN AT MONOLITHIC SLAB FOUNDATION



E HOLD DOWN AT CRAWL SPACE FOUNDATION



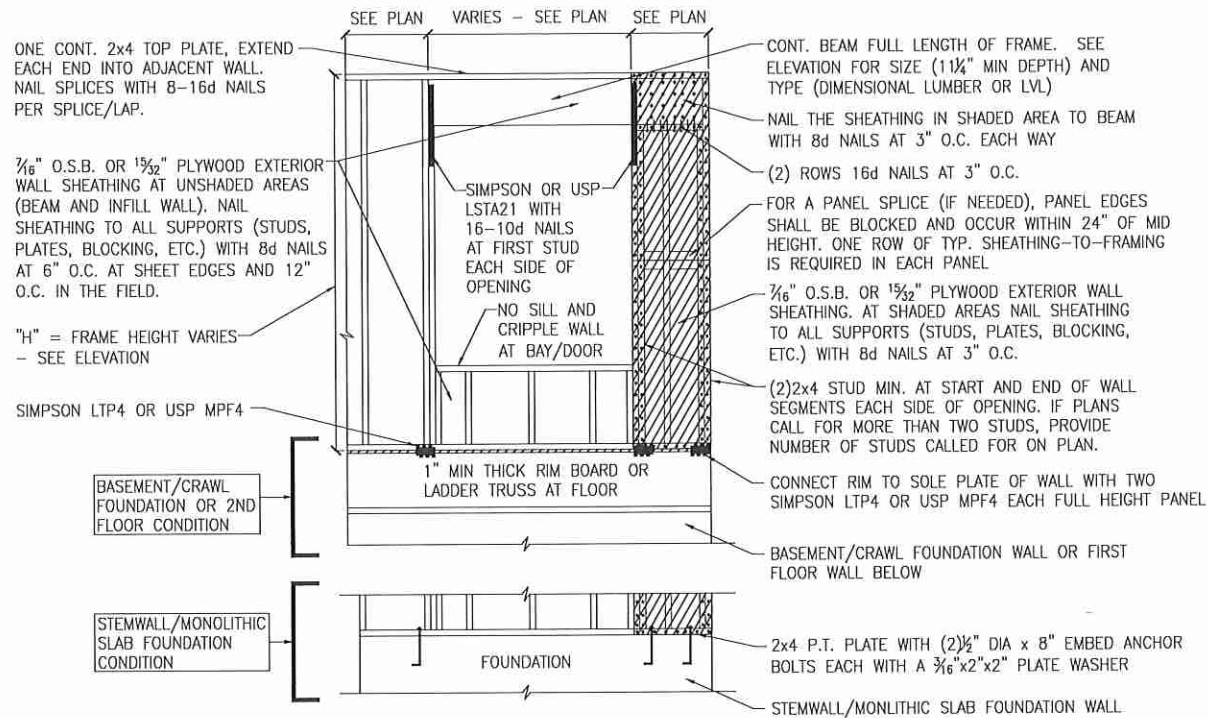
F HOLD DOWN AT BASEMENT FOUNDATION MONOLITHIC TURN-DOWN



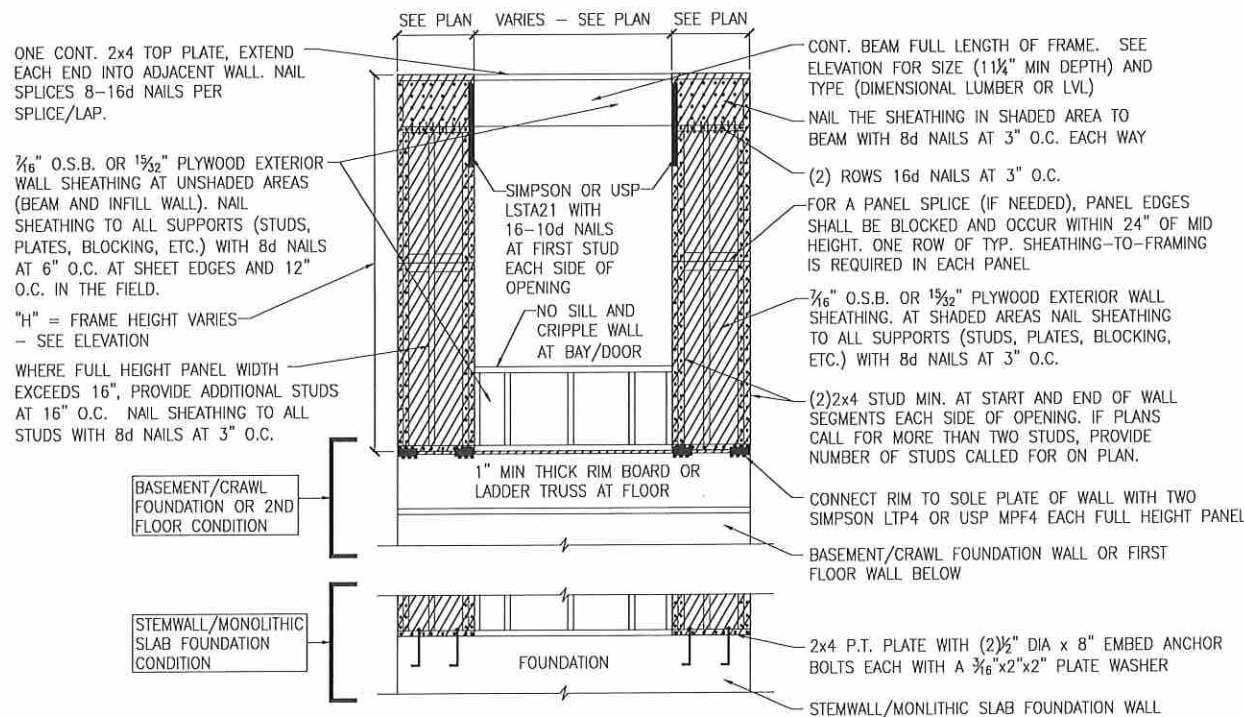
G HOLD DOWN AT BASEMENT FOUNDATION STEM WALL

HOLD DOWN SCHEDULE			
HOLD DOWN		ALL THREAD ROD	FASTENERS
SIMPSON	USP		
LTT20B	LTS20B	½" DIA.	(10)10d NAILS
HTT4	HTT16	⅝" DIA.	(18)16d x 2½" LONG NAILS
HTT5	HTT45	⅝" DIA.	(26)16d x 2½" LONG NAILS

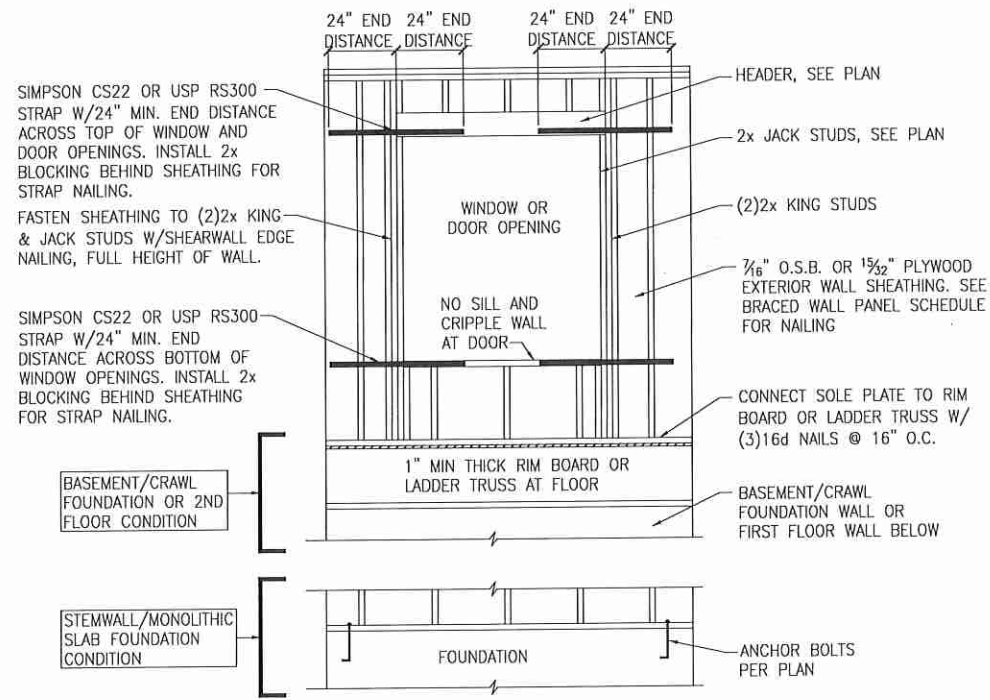




A METHOD CS-PF: CONTINUOUS PORTAL FRAME PANEL CONSTRUCTION
ONE BRACED WALL SEGMENT



B METHOD CS-PF: CONTINUOUS PORTAL FRAME PANEL CONSTRUCTION
TWO BRACED WALL SEGMENTS



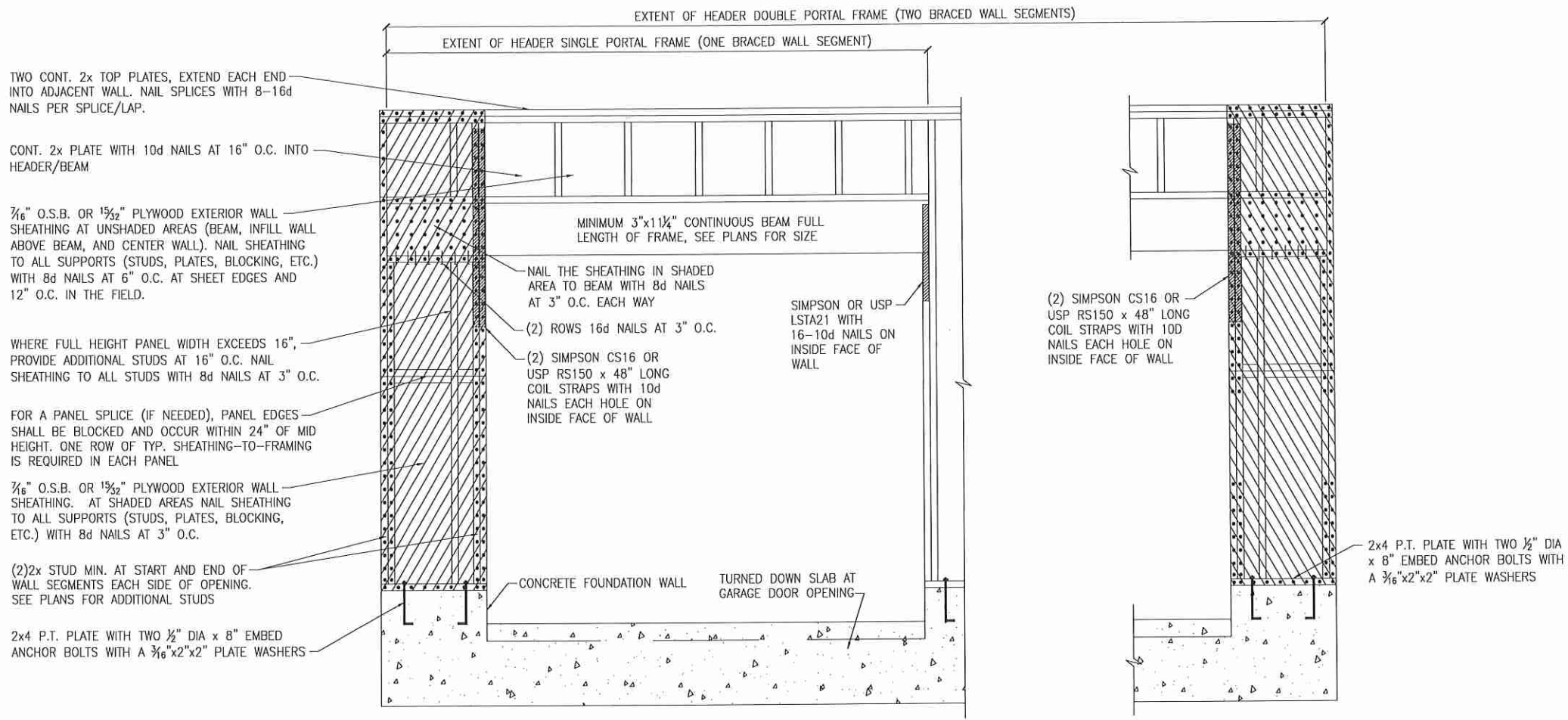
C WINDOW OR DOOR REINFORCEMENT IN ENGINEERED SHEAR WALL
ONLY REQUIRED WHERE SPECIFIED ON PLANS

BRACED WALL PANEL AND ENGINEERED SHEAR WALL SCHEDULE			
PANEL TYPES	PANEL TYPE	MATERIAL	FASTENERS
WSP	INTERMITTENT WOOD STRUCTURAL PANEL	7/16" OSB	6D OR 8D COMMON NAILS AT 6" O.C. AT SHEET EDGES AND 12" O.C. AT INTERMEDIATE SUPPORTS. ENGINEERED ALTERNATIVE: 16 GAGE BY 1.75" LONG STAPLES AT 3" O.C. AT SHEET EDGES AND 6" O.C. AT INTERMEDIATE SUPPORTS
GB(1)	INTERMITTENT GYPSUM BOARD (SHEATHING ONE FACE OF WALL)	1/2" GYPSUM	1.5" LONG GALV. ROOFING NAILS, 6d COMMON NAILS, OR 1.25" LONG TYPE W DRYWALL SCREWS AT 7" O.C. AT SHEET EDGES AND INTERMEDIATE SUPPORTS.
GB(1)-4	INTERMITTENT GYPSUM BOARD (SHEATHING ONE FACE OF WALL)	1/2" GYPSUM	1.5" LONG GALV. ROOFING NAILS, 6d COMMON NAILS, OR 1.25" LONG TYPE W DRYWALL SCREWS AT 4" O.C. AT SHEET EDGES AND INTERMEDIATE SUPPORTS.
GB(2)	INTERMITTENT GYPSUM BOARD (SHEATHING BOTH FACES OF WALL)	1/2" GYPSUM	1.5" LONG GALV. ROOFING NAILS, 6d COMMON NAILS, OR 1.25" LONG TYPE W DRYWALL SCREWS AT 7" O.C. AT SHEET EDGES AND INTERMEDIATE SUPPORTS.
CS-WSP	CONTINUOUS SHEATHED WOOD STRUCTURAL PANEL	7/16" OSB	6D OR 8D COMMON NAILS AT 6" O.C. AT SHEET EDGES AND 12" O.C. AT INTERMEDIATE SUPPORTS. ENGINEERED ALTERNATIVE: 16 GAGE BY 1.75" LONG STAPLES AT 3" O.C. AT SHEET EDGES AND 6" O.C. AT INTERMEDIATE SUPPORTS
CS-PF	CONTINUOUS SHEATHED PORTAL FRAME	7/16" OSB	NAILING PER DETAIL
PFH	PORTAL FRAME WITH HOLD DOWNS	7/16" OSB	NAILING PER DETAIL
CS-ESW(1)	ENGINEERED SHEAR WALL, TYPE 1	7/16" OSB	8D COMMON NAILS AT 6" O.C. AT SHEET EDGES AND 12" O.C. AT INTERMEDIATE SUPPORTS. CONTINUOUS OSB AROUND DOOR/WINDOW OPENINGS
CS-ESW(2)	ENGINEERED SHEAR WALL, TYPE 2	7/16" OSB	8D COMMON NAILS AT 4" O.C. AT SHEET EDGES AND 12" O.C. AT INTERMEDIATE SUPPORTS. CONTINUOUS OSB AROUND DOOR/WINDOW OPENINGS
CS-ESW(3)	ENGINEERED SHEAR WALL, TYPE 3	7/16" OSB	8D COMMON NAILS AT 3" O.C. AT SHEET EDGES AND 12" O.C. AT INTERMEDIATE SUPPORTS. CONTINUOUS OSB AROUND DOOR/WINDOW OPENINGS

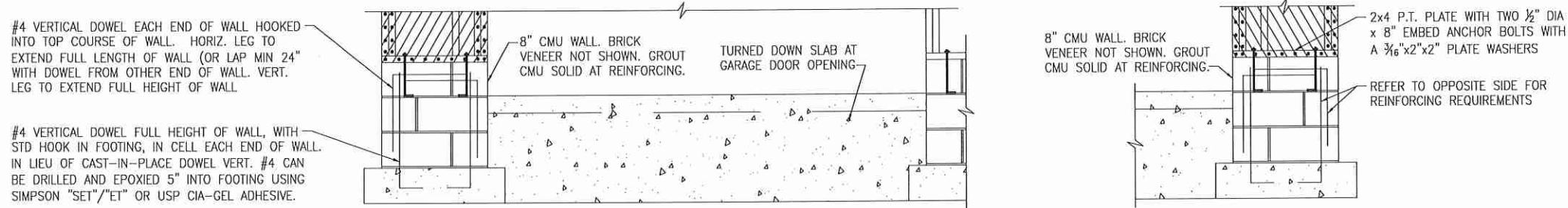
BRACED WALL PANEL NOTES:

- ALL BRACED WALL PANELS, EXCEPT GB(1) & GB(2), SHALL HAVE 2x BLOCKING BETWEEN WALL STUDS AT ALL HORIZONTAL SHEET EDGES.
- PROVIDE NAILING/BLOCKING ABOVE AND BELOW ALL BRACED WALL PANELS PER KSE BRACED WALL DETAILS.
- SHEATH ALL EXTERIOR WALLS OF THE HOUSE WITH 7/16" O.S.B., OR 1/2" PLYWOOD, FASTENED PER IRC. AT EXTERIOR CORNERS, SHEATHING SHALL BE FASTENED PER KSE BRACED WALL DETAILS. AT INTERIOR WALL INTERSECTIONS, FASTEN STUDS & WALL BRACING PER KSE BRACED WALL DETAILS.
- BRACED WALL PANELS AND ENGINEERED SHEAR WALLS ARE PROVIDED PER IRC. PANEL LENGTHS SHOWN ON PLANS ARE THE MINIMUM LENGTH REQUIRED.

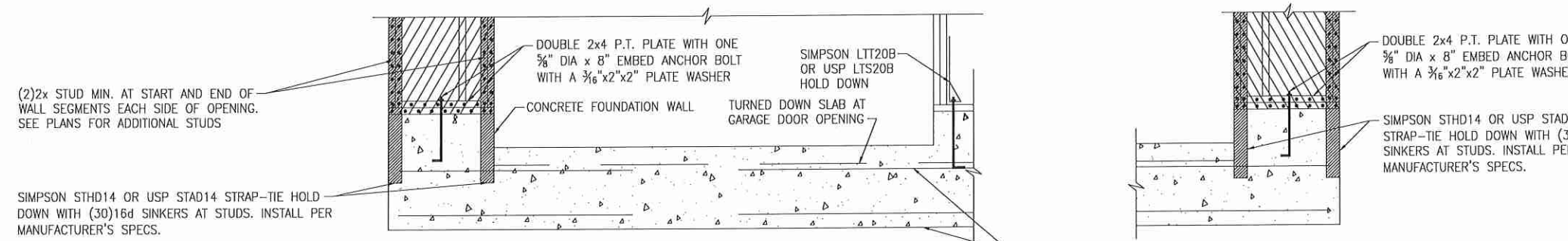




A METHOD CS-PF: CONTINUOUS PORTAL FRAME PANEL CONSTRUCTION
MONOLITHIC SLAB OR BASEMENT FOUNDATION

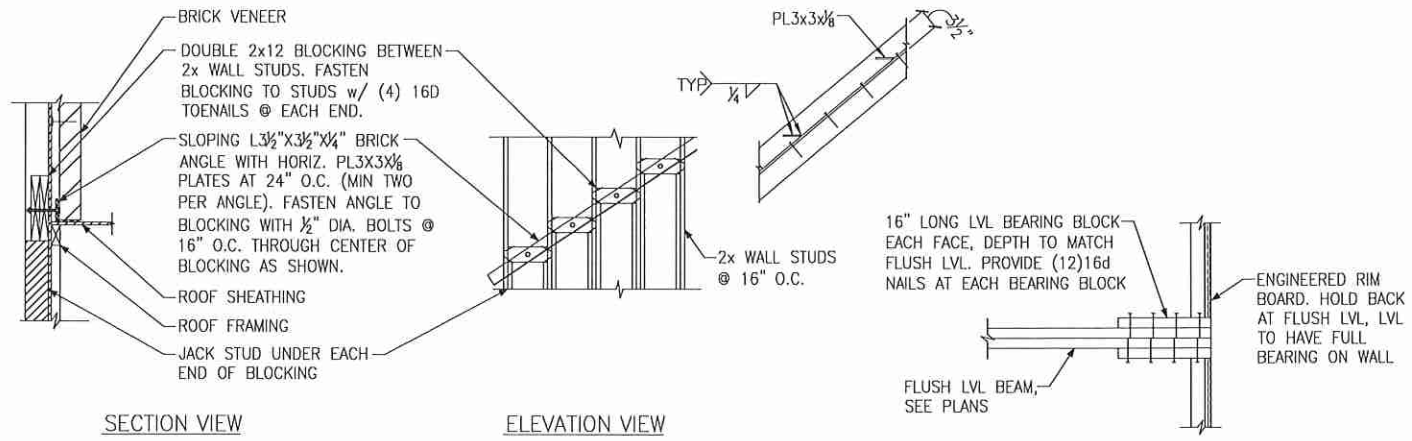


B METHOD CS-PF: CONTINUOUS PORTAL FRAME PANEL CONSTRUCTION
STEMWALL SLAB OR CRAWL SPACE FOUNDATION

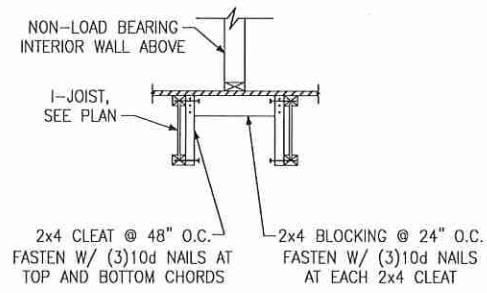


C METHOD PFH: PORTAL FRAME WITH HOLD-DOWNS
MONOLITHIC SLAB OR BASEMENT FOUNDATION

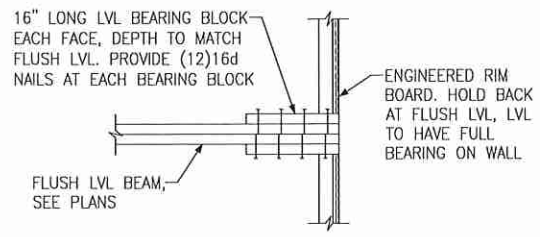




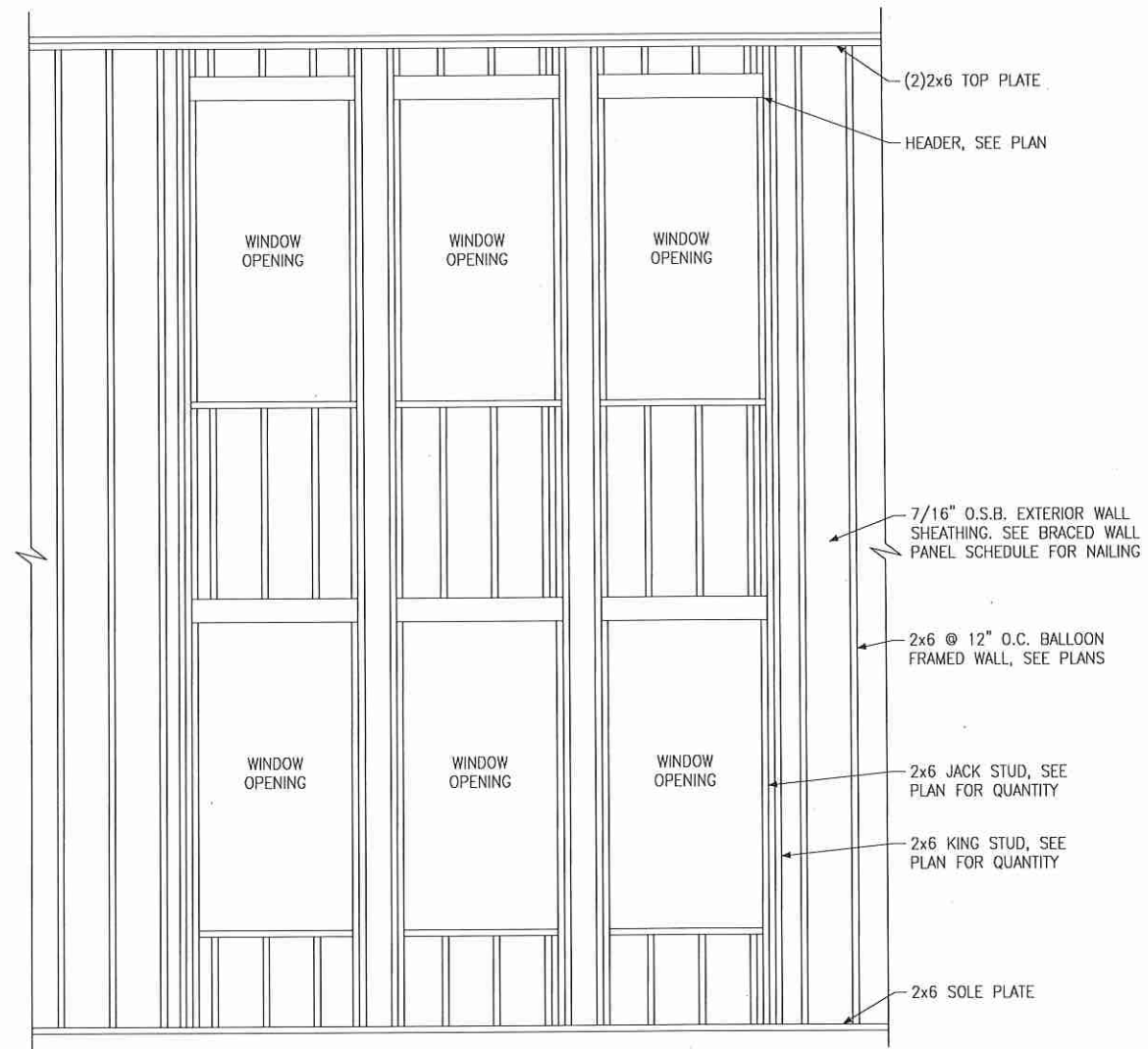
(A) BRICK LEDGER CONNECTION DETAIL



(C) I-JOIST LADDER BLOCKING AS REQUIRED @ PARALLEL WALLS



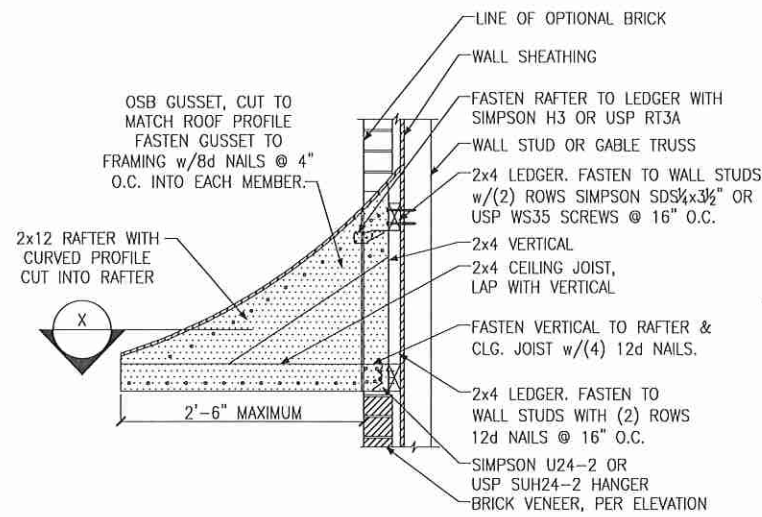
(B) BEARING ENHANCER FLUSH LVL



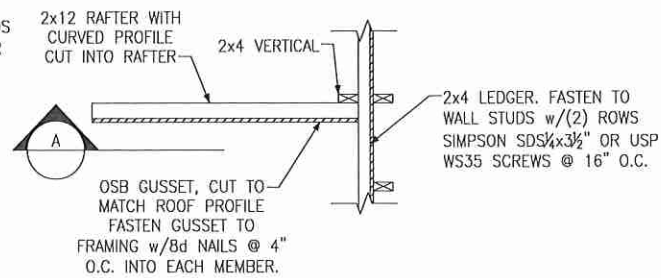
(D) BALLOON FRAMED WALL DETAIL N.T.S.

Project #:	105-19000
Designed By:	KRK
Checked By:	
Issue Date:	1/1/19
Re-Issue:	
Scale:	1/8"=1'-0" @ 11x17 1/4"=1'-0" @ 22x34

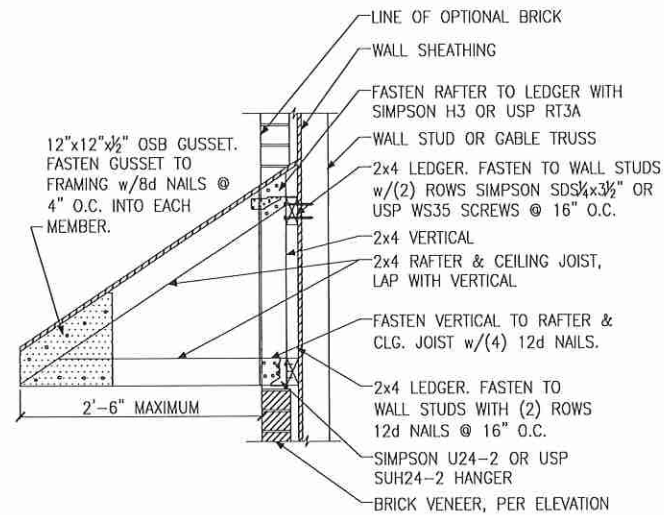




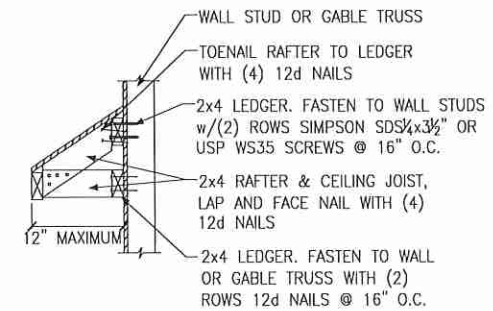
A PENT ROOF DETAIL
CURVED ROOF



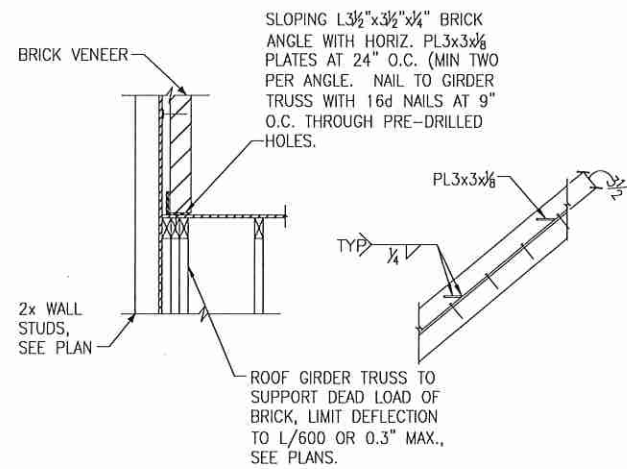
X SECTION
CURVED ROOF



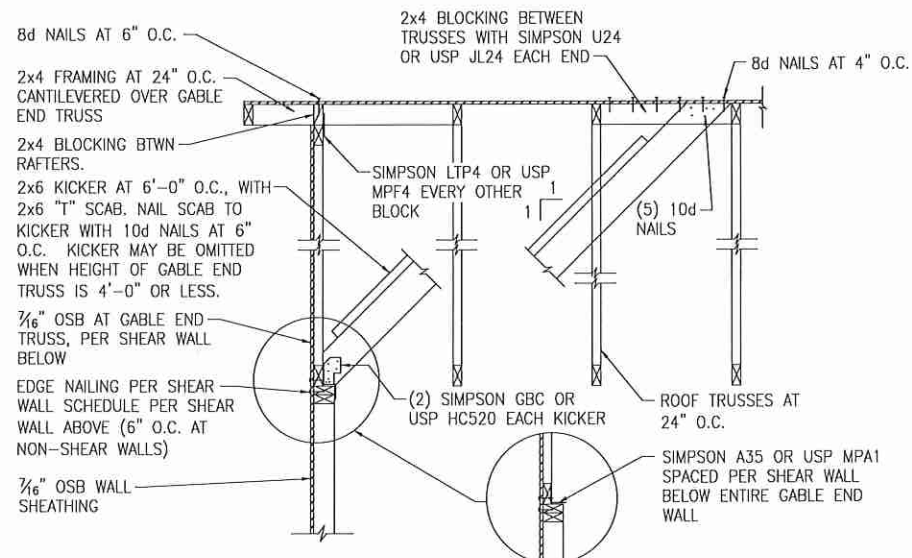
B PENT ROOF DETAIL
STRAIGHT ROOF



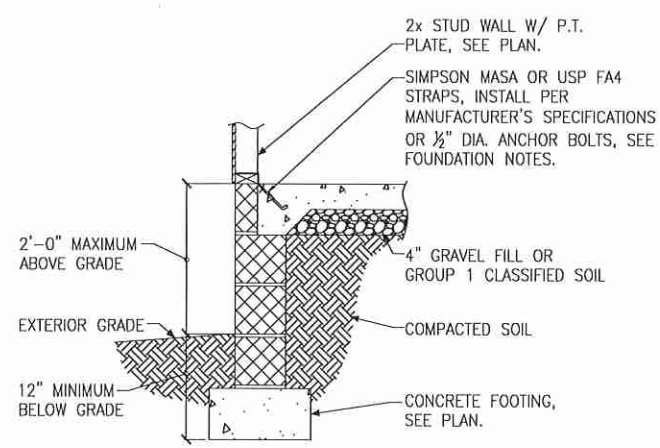
C EYEBROW ROOF DETAIL
STRAIGHT ROOF



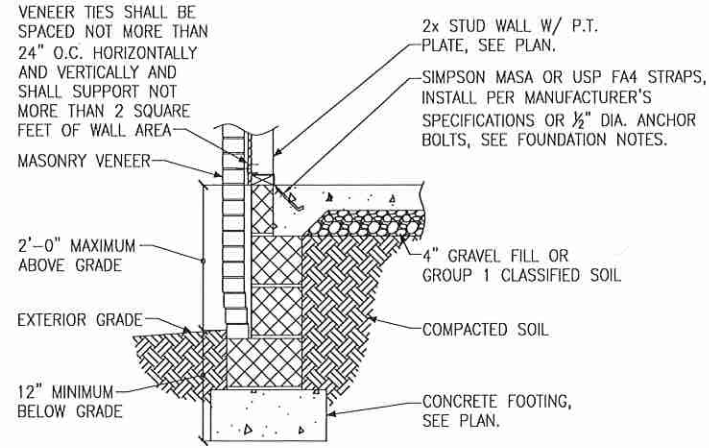
D TRUSS DETAIL



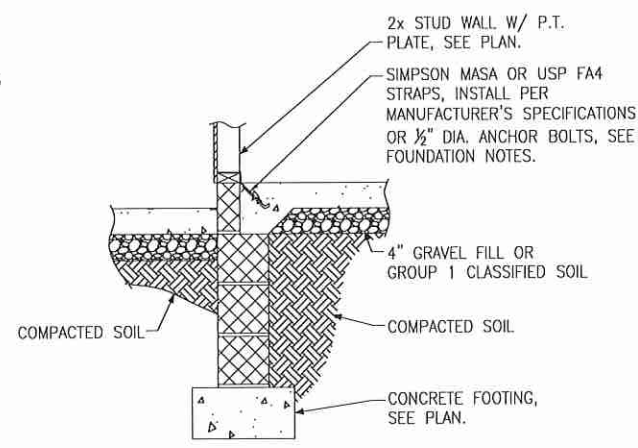
E GABLE END WALL DETAIL



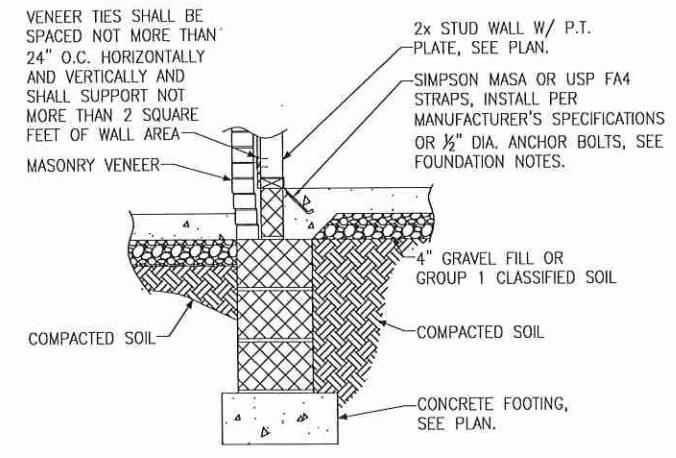
A FOUNDATION SECTION
EXTERIOR WALL



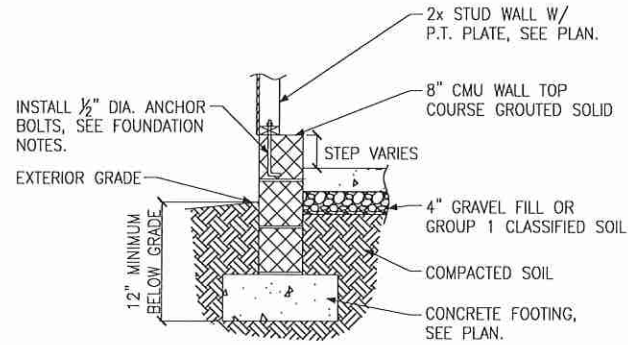
B FOUNDATION SECTION
EXTERIOR WALL @ MASONRY
VENEER



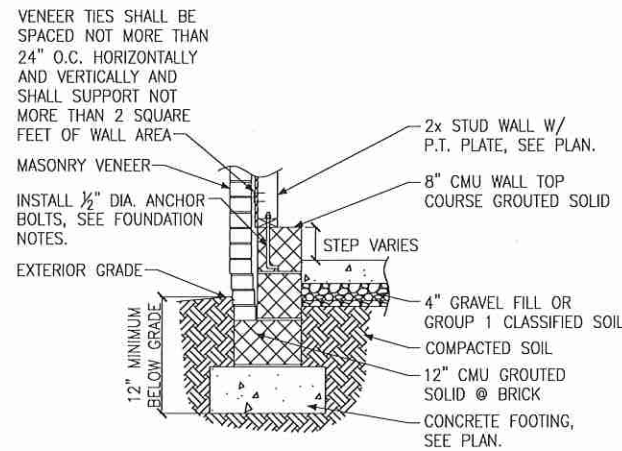
C FOUNDATION SECTION
EXTERIOR WALL AT PORCH



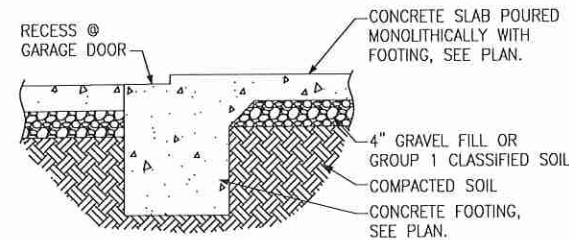
D FOUNDATION SECTION
EXTERIOR WALL AT PORCH W/ MASONRY
VENEER



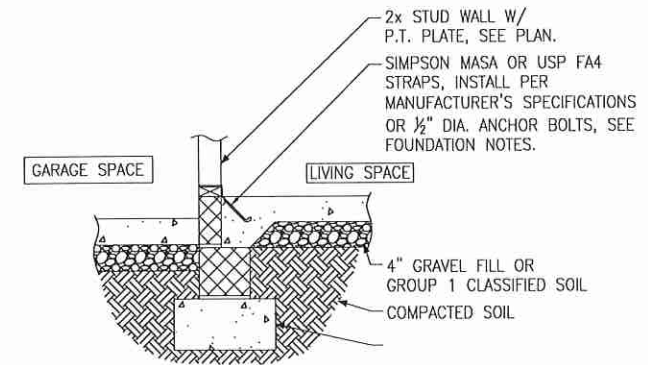
E FOUNDATION SECTION
EXTERIOR GARAGE WALL



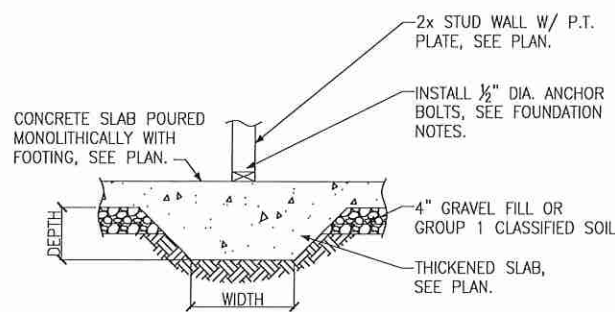
F FOUNDATION SECTION
EXTERIOR GARAGE WALL @ MASONRY
VENEER



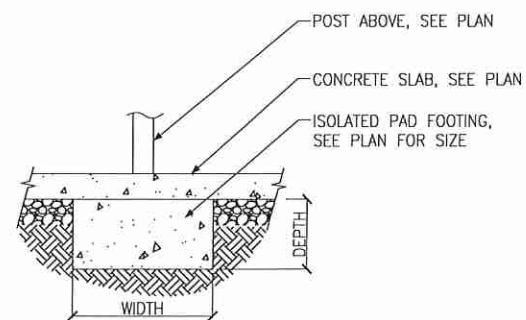
G FOUNDATION SECTION
GARAGE DOOR



H FOUNDATION SECTION
INTERIOR GARAGE WALL



J FOUNDATION SECTION
THICKENED SLAB



K FOUNDATION SECTION
ISOLATED PAD FOOTING