



Front Elevation
Scale: 1/4" = 1'0"



Rear Elevation
Scale: 3/16" = 1'0"



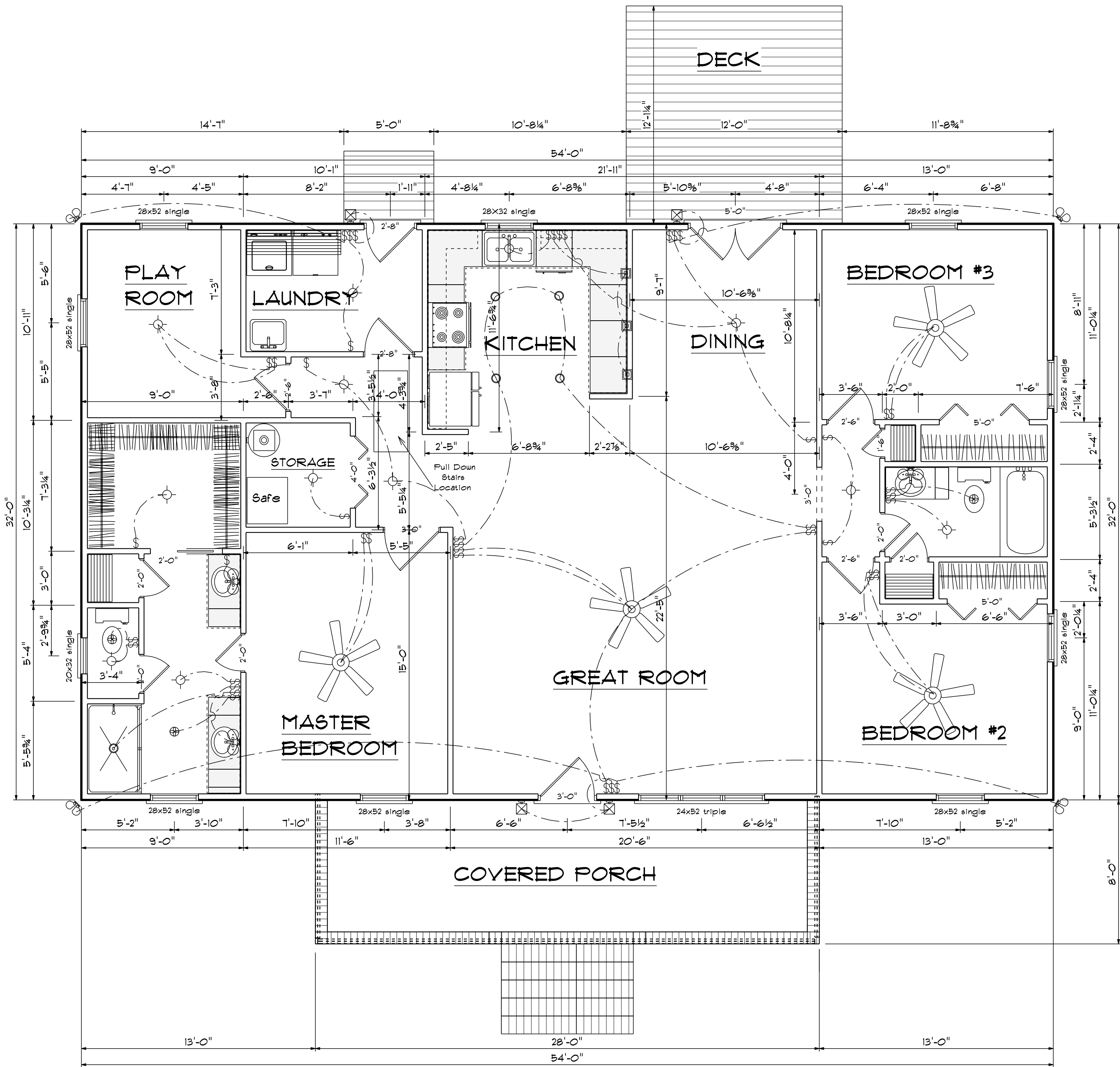
Left Elevation
Scale: 1/8" = 1'0"



Right Elevation
Scale: 1/8" = 1'0"

Edwards Home

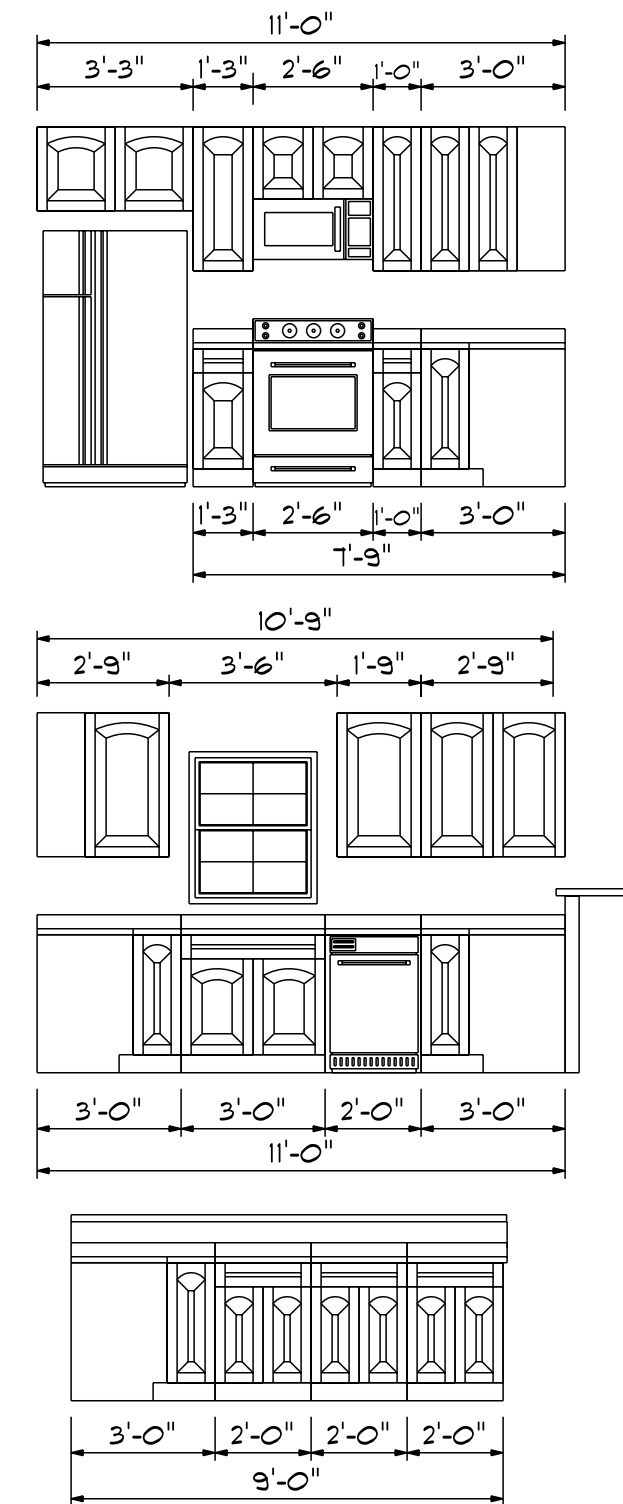
DATE: 12/12/2019	Base Design
REVISID	2121 Chimney Pt.
DRAWING#	Linden, N.C. 28356
	910-864-9310
SCALE: 1/4"	
DRAWN BY	
APPROVED	



First Floor Plan

Scale: 1/4" = 1'-0"

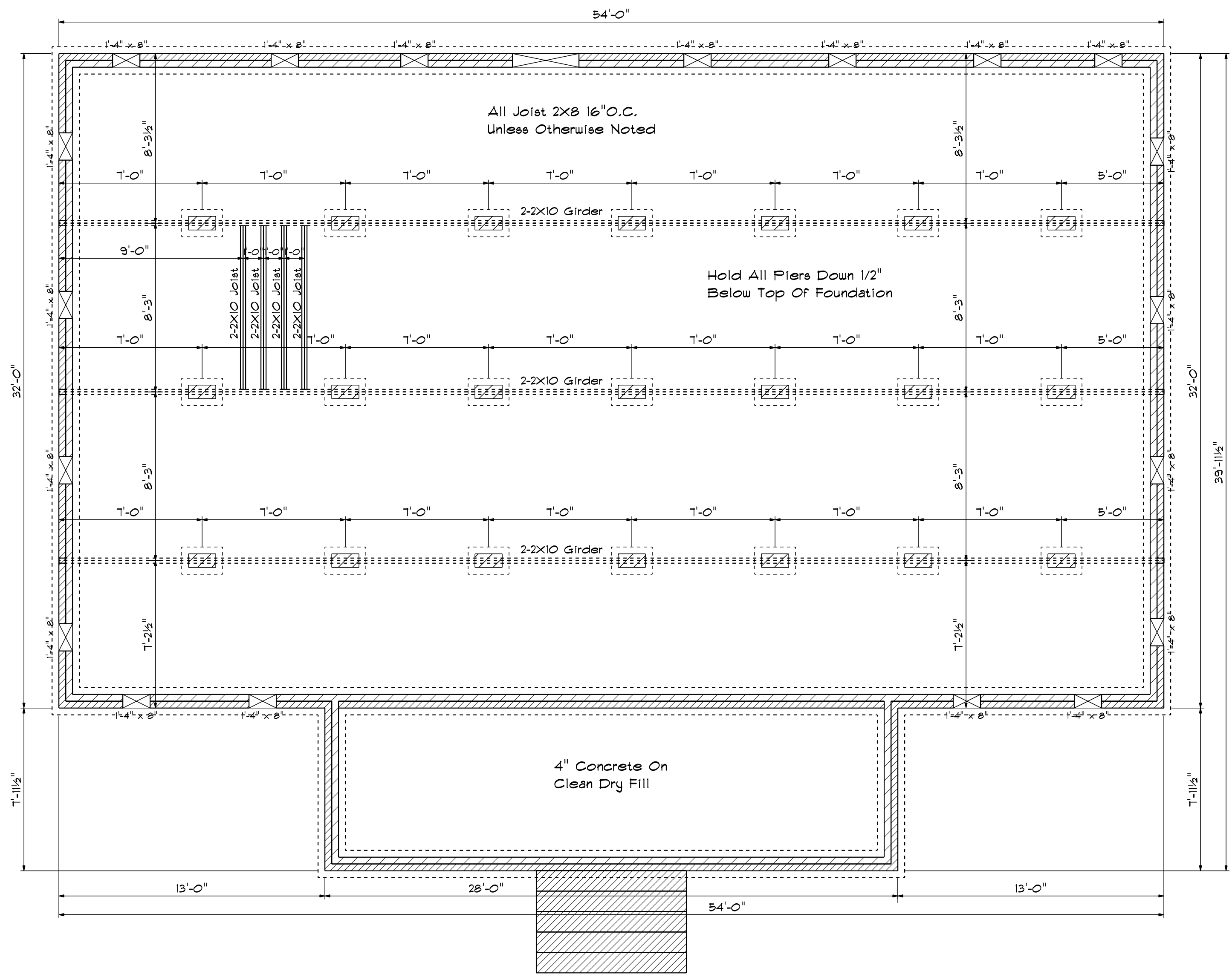
Kitchen Cabinets



OPENING SCHEDULE			
PRODUCT CODE	SIZE	HINGE	COUNT
32X80 COLONIAL A 1	2'-8"	L	1
36X80 COLONIAL A 1	3'-0"	L	1
60X80 FRENCH A 2	5'-0"	LR	1
40 bifold	4'-0"	LR	1
50 bifold	5'-0"	LR	2
1-6 Door Unit	1'-6"	R	1
2-0 Door Unit	2'-0"	L	1
2-0 Door Unit	2'-0"	R	3
2-0 Door Unit	2'-0"	L	1
2-6 Door Unit	2'-6"	L	1
2-6 Door Unit	2'-6"	R	1
2-6 Door Unit	2'-6"	L	1
2-8 Door Unit	2'-8"	R	1
3-0 Door Unit	3'-0"	L	1
20 pocket	2'-0"	N	1
Triangle Vent 6/12	8'-0" x 2'-0"	N	3
20x32 single	2'-0" x 3'-2"	N	1
24x52 triple	7'-0" x 5'-2"	NA	1
28X32 single	2'-8" x 3'-2"	N	1
28x52 single	2'-8" x 5'-2"	N	8

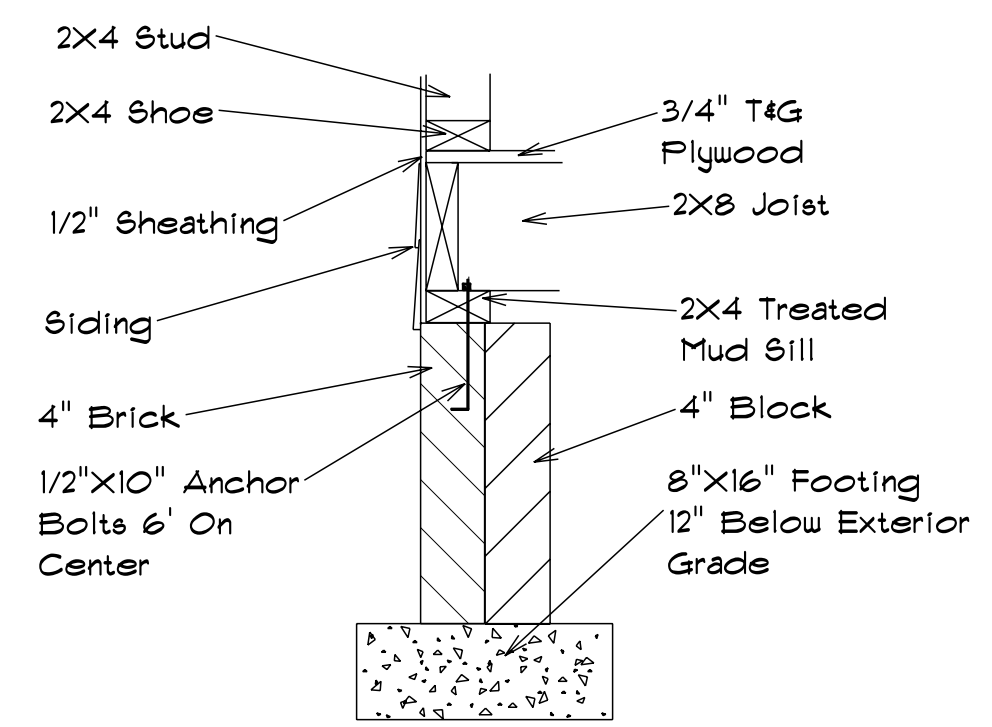
Areas

1735 Heated Sq.Ft.
222 Sq.Ft. Covered Porch

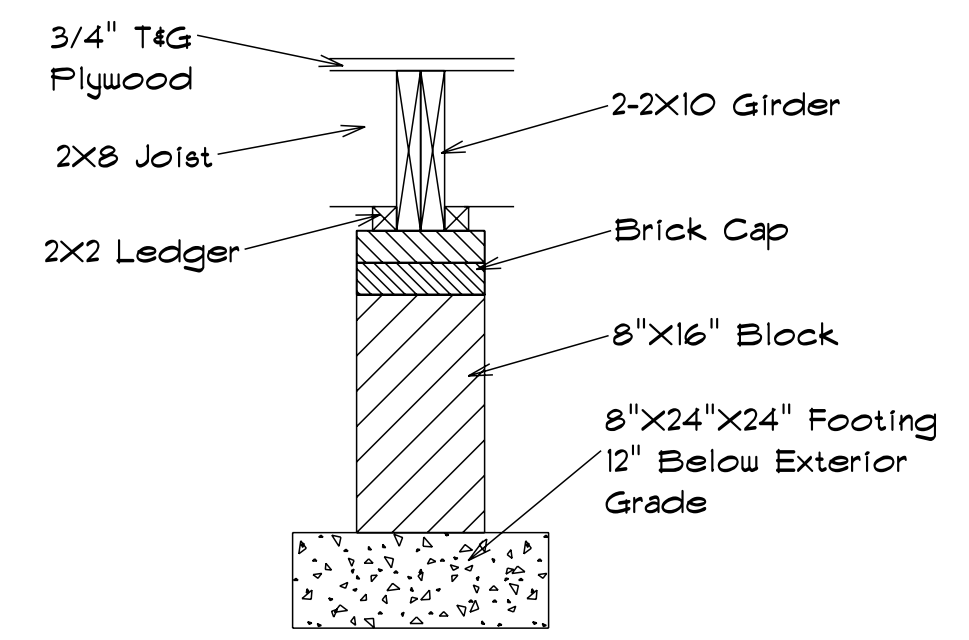


Foundation Plan
Scale: 1/4" = 1'-0"

Foundation Detail



Footing & Pier Detail



FOUNDATION VENTILATION

1735 Sq.Ft. Foundation Area
Requires 11.57 Sq.Ft. Ventilation.
With 6 Mil. Poly, Plans Indicate
Vents For Adequate Cross
Ventilation.

Baso Designs 2121 Chimney Pt. Linden, N.C. 28356 910-864-9310	DATE: 12/12/2019 REVISED DRAWING#	SCALE: 1/4" DRAWN BY APPROVED
Edwards Home		