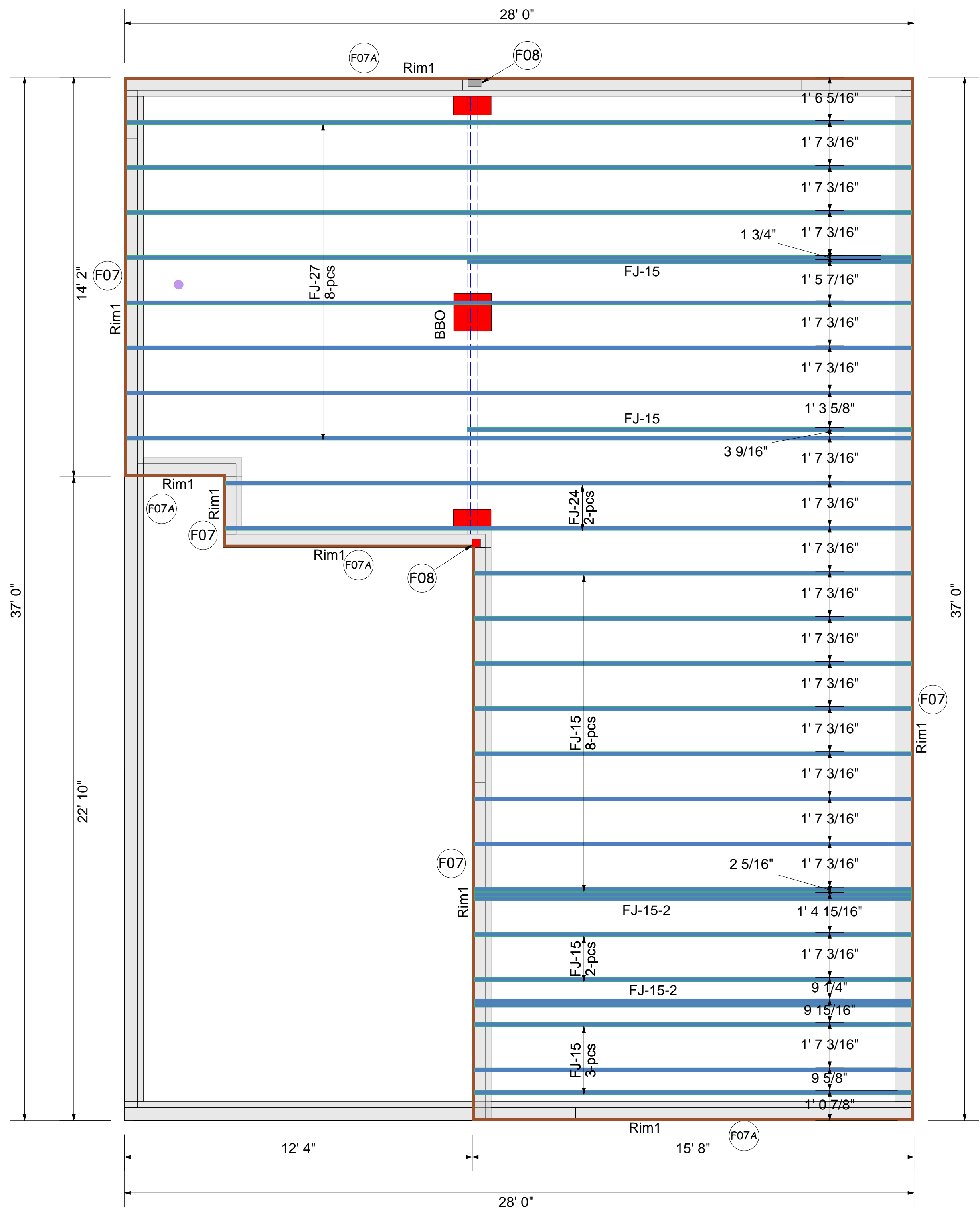


Builders FirstSource
 Engineered Wood Products
 Boise Cascade
 www.BLDR.com
 1135 Robeson St.
 Fayetteville, NC 28305
 V (910) 485-1111
 F (910) 485-6475
 7601 BOEING DRIVE
 GREENSBORO, NC 27409
 V: 336.884.5454

3189 NC HIGHWAY 5
 ABERDEEN NC 28315
 V: 910.944.2516

This layout and associated materials list has been prepared based on project plans and/or information provided to Builders FirstSource (BFS). It remains the responsibility of the builder, architect, designer, or other responsible persons to review this information to assure that it is appropriate, accurate, complete and complies with applicable building codes.

Products				
PlotID	Length	Product	Plies	Net Qty
FJ-27	27' 10"	11-7/8" BCI@ 4500s-1.8	1	8
FJ-24	24' 4"	11-7/8" BCI@ 4500s-1.8	1	2
FJ-15	15' 9 1/4"	11-7/8" BCI@ 4500s-1.8	1	2
FJ-15	15' 6"	11-7/8" BCI@ 4500s-1.8	1	13
FJ-15-2	15' 6"	11-7/8" BCI@ 4500s-1.8	2	4
Rim1	12' 0"	1" x 11-7/8" BC RIM BOARD OSB	1	11



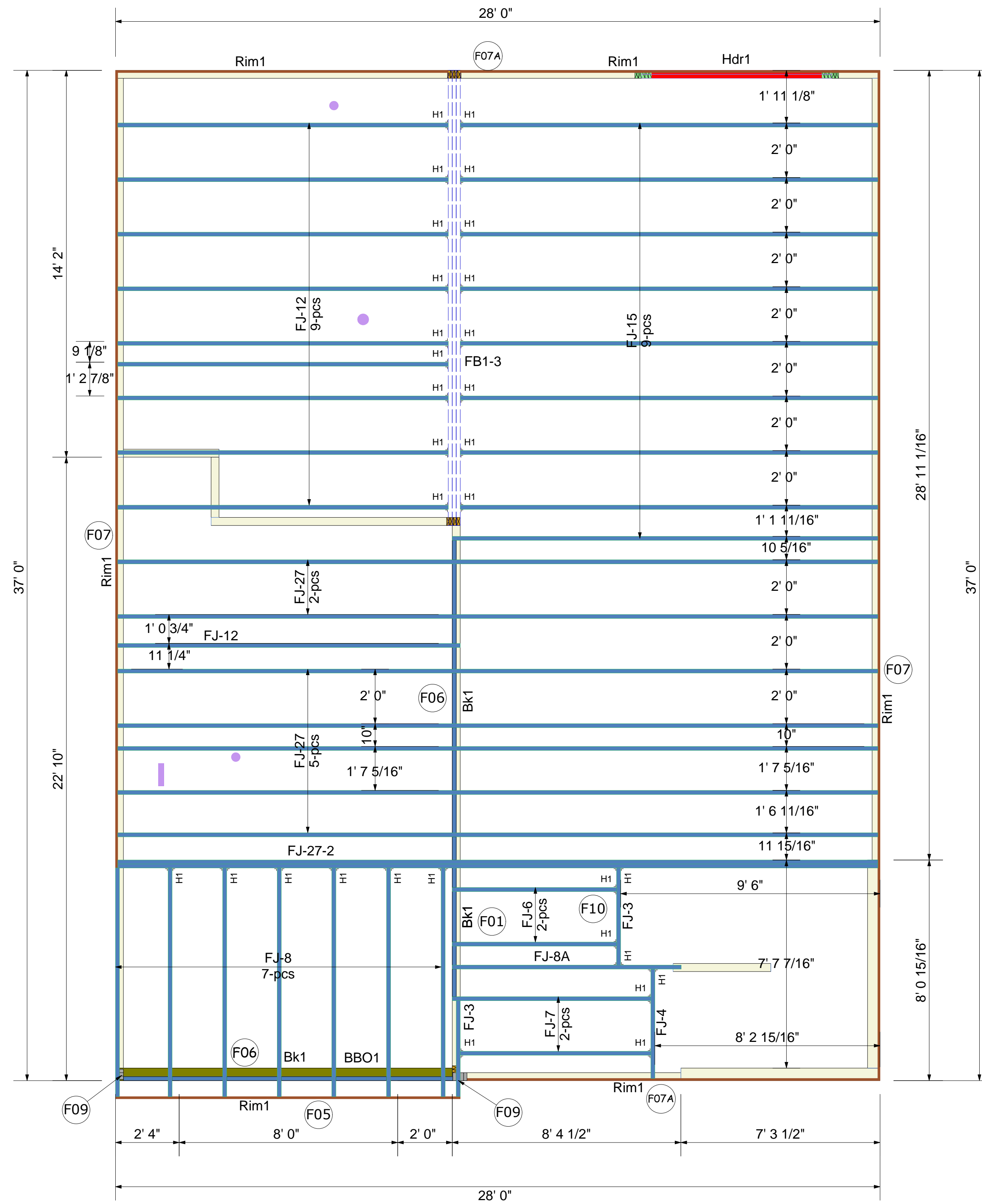
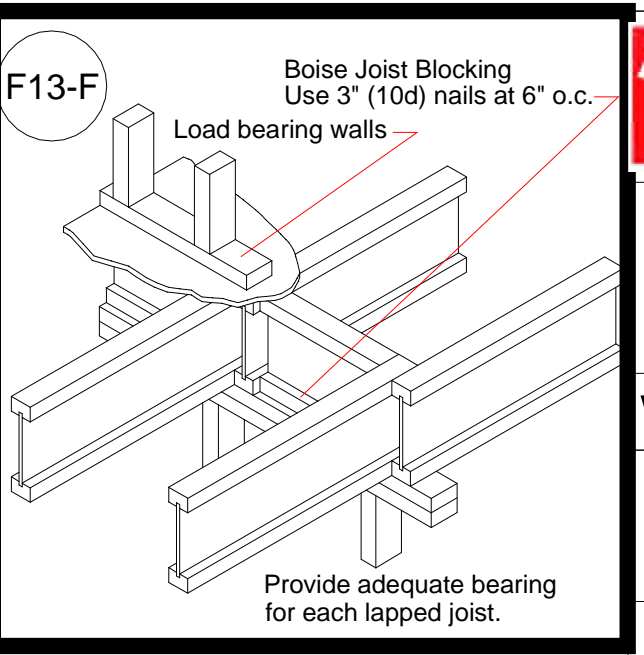
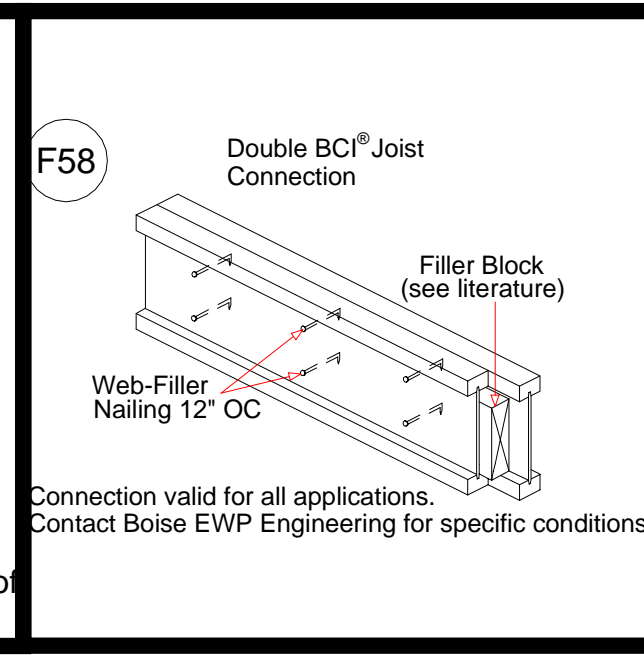
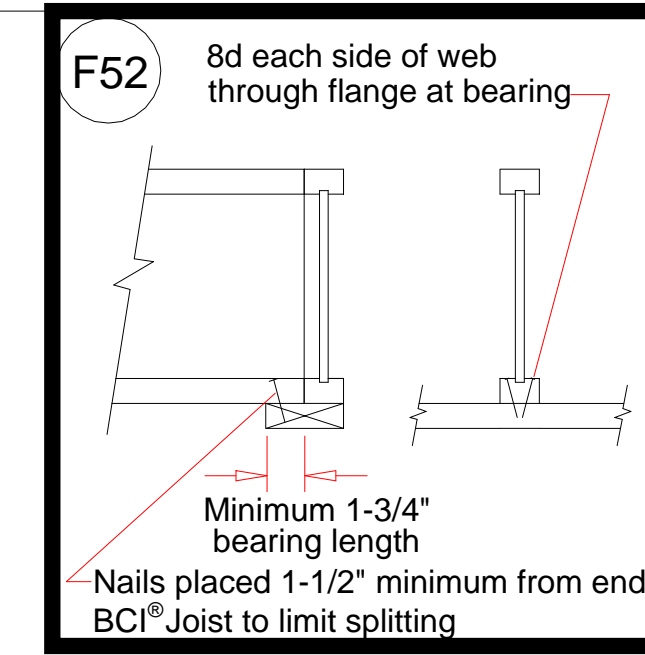
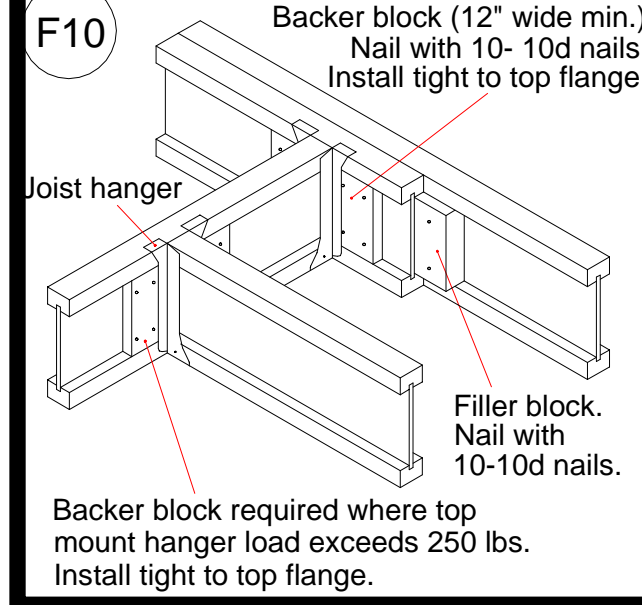
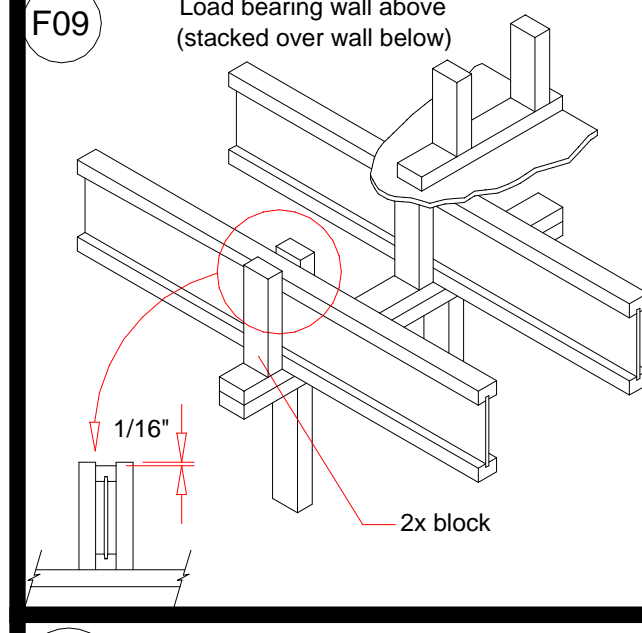
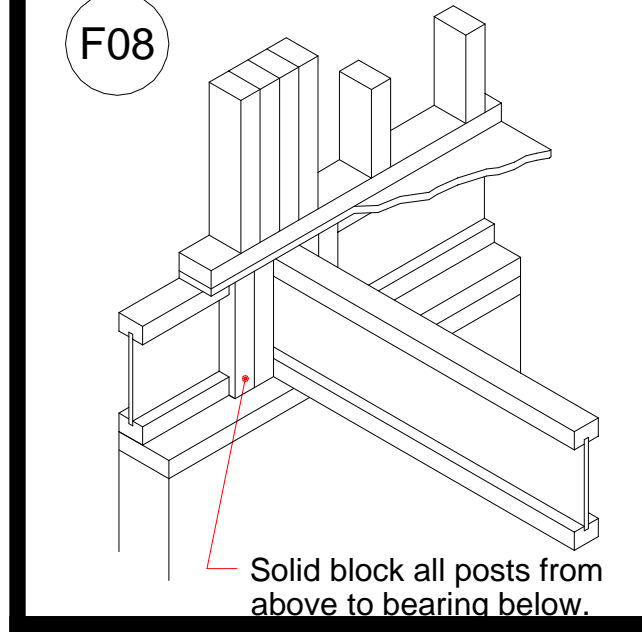
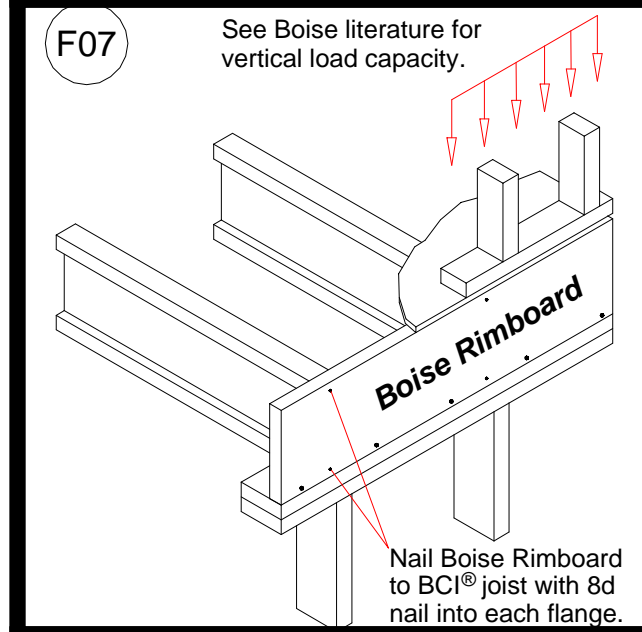
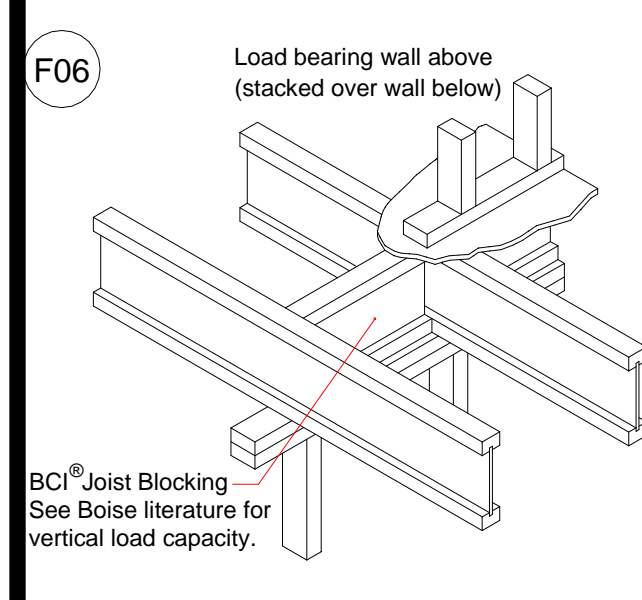
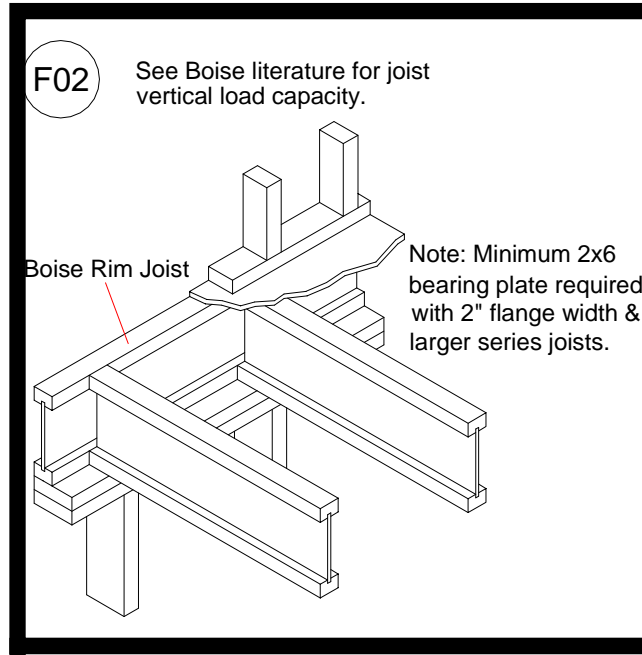
GENERAL NOTES
 1.) READ THE INSTALLATION GUIDE BEFORE FRAMING
 2.) ALL WALL SHOWING ARE LOAD BEARING UNLESS NOTES OTHERWISE WALLS NOT SHOWN HAVE BEEN CONSIDERED NON-LOAD BEARING
 3.) UNLESS STATED OTHERWISE ALL CEILING & ROOF LOADS BRACE DIRECTLY TO LOAD BEARING WALLS SUPPORTED BY FOUNDATION
 4.) CONTACT YOU LOCAL BUILDERS FIRSTSOURCE LOCATION BEFORE MAKING ANY ALTERATION & ADJUSTMENTS. FAILURE MAY RESULT IN COSTLY REPAIRS

H & H HOMES	ENGAGE-A GL	CRAWL EWP PLACEMENT PLAN	Builders FirstSource, Central Carolina Markets	DATE: 3-20-18	JOB #
			DRAWN BY: LEE ATKINS		SCALE: NTS

MINIMUM DESIGN DATA
 LIVE LOAD 40 PSF
 DEAD LOAD 10 PSF

TOTAL LOAD 50 PSF
 STRESS DURATION = 100%
 DEFLECTION CRITERIA
 L/480 (MINIMUM)

ARCHITECTURAL PLAN DATE
 11-16-17
 REVISED ARCH. PLAN DATE
 XX-XX-XX
 SEALED PLAN DATE
 12-22-17



Products				
PlotID	Length	Product	Plies	Net Qty
FJ-27	27' 10"	14" BCI® 4500s-1.8	1	7
FJ-27-2	27' 10"	14" BCI® 4500s-1.8	2	2
FJ-15	15' 7"	14" BCI® 4500s-1.8	1	1
FJ-15	15' 3 3/4"	14" BCI® 4500s-1.8	1	5
FJ-15	15' 3 1/2"	14" BCI® 4500s-1.8	1	3
FJ-12	12' 6 1/2"	14" BCI® 4500s-1.8	1	1
FJ-12	12' 1 1/4"	14" BCI® 4500s-1.8	1	9
FJ-8A	8' 4 3/4"	14" BCI® 4500s-1.8	1	1
FJ-8	8' 4 1/2"	14" BCI® 4500s-1.8	1	7
FJ-7	7' 3 1/2"	14" BCI® 4500s-1.8	1	1
FJ-7	7' 0"	14" BCI® 4500s-1.8	1	1
FJ-6	6' 0 1/4"	14" BCI® 4500s-1.8	1	2
FJ-4	4' 0"	14" BCI® 4500s-1.8	1	1
FJ-3	3' 6 3/4"	14" BCI® 4500s-1.8	1	1
FJ-3	3' 6 1/4"	14" BCI® 4500s-1.8	1	1
FB1-3	18' 0"	1-3/4" x 14" VERSA-LAM® 2.0 3100 SP	3	3
Rim1	12' 0"	1" x 14" BC RIM BOARD OSB	1	11
Bk1	2' 0"	14" BCI® 4500s-1.8	1	14

Wall Framing				
PlotID	Length	Product	Plies	Net Qty
Hdr1	8' 0"	1-3/4" x 9-1/4" VERSA-LAM® 2.0 3100 SP	2	2

Hangers			
PlotID	Qty	Manuf	Product
H1	31	Simpson	IUS 1.81/14

Builders FirstSource
Engineered Wood Products

Boise Cascade
Engineered Wood Products

www.BLDR.com

1135 Robeson St.
Fayetteville, NC 28305
V (910) 485-1111
F (910) 485-6475

7601 BOEING DRIVE
GREENSBORO, NC 27409
V: 336.884.5454

3189 NC HIGHWAY 5
ABERDEEN NC 28315
V: 910.944.2516

This layout and associated materials list has been prepared based on project plans and/or information provided to Builders FirstSource (BFS). It remains the responsibility of the builder, architect, designer, or other responsible persons to review this information to assure that it is appropriate, accurate, complete and complies with applicable building codes.

GENERAL NOTES

- 1.) READ THE INSTALLATION GUIDE BEFORE FRAMING
- 2.) ALL WALL SHOWN ARE LOAD BEARING UNLESS NOTES OTHERWISE WALLS NOT SHOWN HAVE BEEN CONSIDERED NON-LOAD BEARING
- 3.) UNLESS STATED OTHERWISE ALL CEILING & ROOF LOADS BRACE DIRECTLY TO LOAD BEARING WALLS SUPPORTED BY FOUNDATION
- 4.) CONTACT YOUR LOCAL BUILDERS FIRSTSOURCE LOCATION BEFORE MAKING ANY ALTERATION & ADJUSTMENTS. FAILURE MAY RESULT IN COSTLY REPAIRS

H & H HOMES	ENGAGE-A GL	2nd FLOOR EWP PLACEMENT PLAN	Markets
		Builders FirstSource, Central Carolina	DATE: 3-20-18
		DRAWN BY: LEE ATKINS	JOB #
		SCALE: NTS	

MINIMUM DESIGN DATA

LIVE LOAD 40 PSF
DEAD LOAD 10 PSF

TOTAL LOAD 50 PSF

STRESS DURATION = 100%

DEFLECTION CRITERIA
L/480 (MINIMUM)

ARCHITECTURAL PLAN DATE
11-16-17

REVISED ARCH. PLAN DATE
XX-XX-XX

SEALED PLAN DATE
12-22-17

Sheet

1 of 1