

Trenco
818 Soundside Rd
Edenton, NC 27932

Re: B0119-0443
Prelude C

The truss drawing(s) referenced below have been prepared by Truss Engineering Co. under my direct supervision based on the parameters provided by Comtech, Inc - Fayetteville.

Pages or sheets covered by this seal: E12642185 thru E12642195

My license renewal date for the state of North Carolina is December 31, 2019.

North Carolina COA: C-0844



January 28, 2019

Gilbert, Eric

IMPORTANT NOTE: Truss Engineer's responsibility is solely for design of individual trusses based upon design parameters shown on referenced truss drawings. Parameters have not been verified as appropriate for any use. Any location identification specified is for file reference only and has not been used in preparing design. Suitability of truss designs for any particular building is the responsibility of the building designer, not the Truss Engineer, per ANSI/TPI-1, Chapter 2.

Job B0119-0443	Truss A1	Truss Type KINGPOST	Qty 1	Ply 1	Prelude C	E12642185
-------------------	-------------	------------------------	----------	----------	-----------	-----------

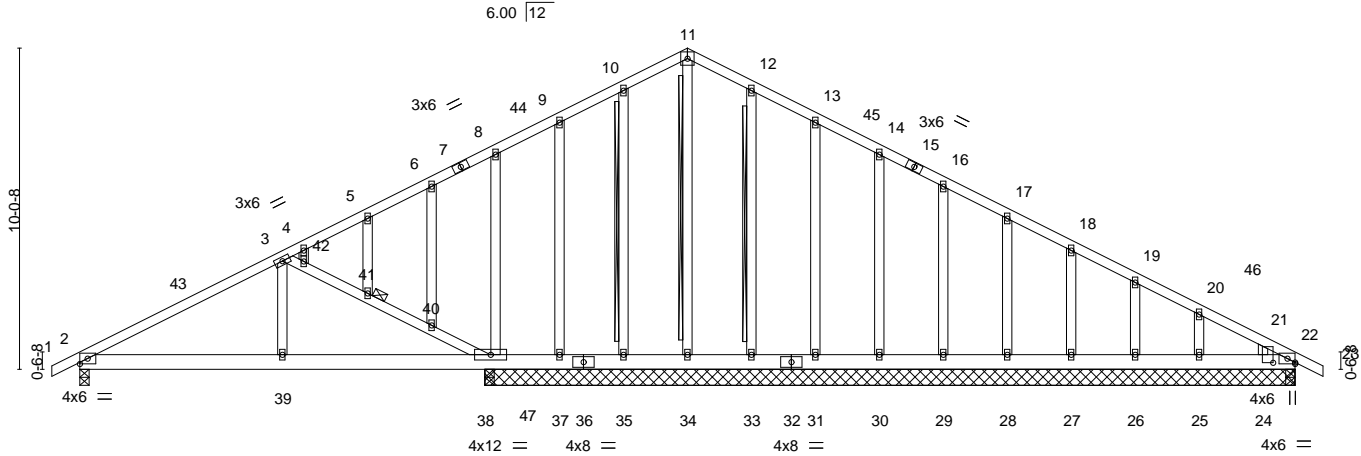
Comtech, Inc., Fayetteville, NC 28309

8.130 s Mar 11 2018 MiTek Industries, Inc. Mon Jan 28 12:39:58 2019 Page 1
ID:qBVty8JxTR2c0jvIHgLUvLzeJa3-1N8bAQ?Wfla4O6VKZ9BUSGynjTb?RviJOY3D8wzqq2?

0-10-8 6-4-0 19-0-0 38-0-0 38-10-8
0-10-8 6-4-0 12-8-0 19-0-0 0-10-8

5x5 =

Scale = 1:72.0



6-4-0 12-8-0 38-0-0
6-4-0 6-4-0 25-4-0

Plate Offsets (X,Y)-- [21:0-0-14,0-1-12], [24:0-0-2,0-8-4], [24:0-0-0,0-1-12]

LOADING (psf)	SPACING-	2-0-0	CSI.	DEFL.	in (loc)	l/defl	L/d	PLATES	GRIP
TCLL 20.0	Plate Grip DOL	1.15	TC 0.33	Vert(LL)	-0.01	2-39	>999	MT20	244/190
TCDL 10.0	Lumber DOL	1.15	BC 0.16	Vert(CT)	-0.03	2-39	>999		
BCLL 0.0 *	Rep Stress Incr	YES	WB 0.36	Horz(CT)	0.01	22	n/a		
BCDL 10.0	Code IRC2015/TP12014		Matrix-S	Wind(LL)	0.02	2-39	>999		
								Weight: 286 lb	FT = 20%

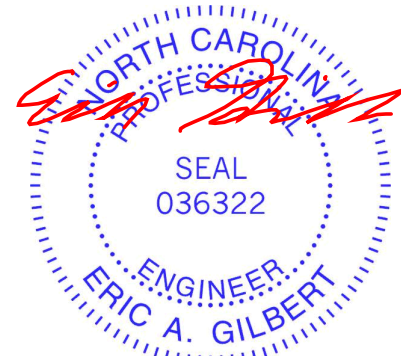
LUMBER-
TOP CHORD 2x4 SP No.1
BOT CHORD 2x6 SP No.1
WEBS 2x4 SP No.3

BRACING-
TOP CHORD Structural wood sheathing directly applied or 6-0-0 oc purlins.
BOT CHORD Rigid ceiling directly applied or 6-0-0 oc bracing. Except: 10-0-0 oc bracing: 2-39,38-39.
WEBS T-Brace: 2x4 SPF No.2 - 11-34, 12-33, 10-35
Fasten (2X) T and I braces to narrow edge of web with 10d (0.131"x3") nails, 6in o.c., with 3in minimum end distance. Brace must cover 90% of web length.
JOINTS 1 Brace at Jt(s): 41

REACTIONS. All bearings 25-4-0 except (jt=length) 2=0-3-8, 22=0-3-8, 22=0-3-8.
(lb) - Max Horz 2=-201(LC 11)
Max Uplift All uplift 100 lb or less at joint(s) 2, 33, 35, 31, 30, 29, 28, 27, 26, 25, 24, 37, 22 except 38=-315(LC 10)
Max Grav All reactions 250 lb or less at joint(s) 33, 31, 30, 29, 28, 27, 26, 25, 24, 37, 22, 22 except 2=506(LC 1), 38=700(LC 1), 38=700(LC 1), 34=346(LC 20), 35=257(LC 17)

FORCES. (lb) - Max. Comp./Max. Ten. - All forces 250 (lb) or less except when shown.
TOP CHORD 2-3=-588/120, 21-22=-268/180
BOT CHORD 2-39=-133/454, 38-39=-133/454
WEBS 3-42=-637/325, 41-42=-581/279, 40-41=-610/301, 38-40=-641/322, 3-39=0/282

- NOTES-**
- Unbalanced roof live loads have been considered for this design.
 - Wind: ASCE 7-10; Vult=130mph (3-second gust) Vasd=103mph; TCDL=6.0psf; BCDL=5.0psf; h=15ft; Cat. II; Exp C; enclosed; MWFRS (envelope) gable end zone and C-C Exterior(2) -0-10-8 to 3-6-5, Interior(1) 3-6-5 to 14-7-3, Exterior(2) 14-7-3 to 19-0-0, Interior(1) 23-4-13 to 34-5-11 zone; C-C for members and forces & MWFRS for reactions shown; Lumber DOL=1.60 plate grip DOL=1.60
 - All plates are 2x4 MT20 unless otherwise indicated.
 - This truss has been designed for a 10.0 psf bottom chord live load nonconcurrent with any other live loads.
 - * This truss has been designed for a live load of 30.0psf on the bottom chord in all areas with a clearance greater than 6-0-0 between the bottom chord and any other members, with BCDL = 10.0psf.
 - Provide mechanical connection (by others) of truss to bearing plate capable of withstanding 100 lb uplift at joint(s) 2, 33, 35, 31, 30, 29, 28, 27, 26, 25, 24, 37, 22 except (jt=lb) 38=315.
 - Warning: Additional permanent and stability bracing for truss system (not part of this component design) is always required.



January 28, 2019

WARNING - Verify design parameters and READ NOTES ON THIS AND INCLUDED MITEK REFERENCE PAGE MII-7473 rev. 10/03/2015 BEFORE USE.

Design valid for use only with MiTek® connectors. This design is based only upon parameters shown, and is for an individual building component, not a truss system. Before use, the building designer must verify the applicability of design parameters and properly incorporate this design into the overall building design. Bracing indicated is to prevent buckling of individual truss web and/or chord members only. Additional temporary and permanent bracing is always required for stability and to prevent collapse with possible personal injury and property damage. For general guidance regarding the fabrication, storage, delivery, erection and bracing of trusses and truss systems, see **ANSI/TP1 Quality Criteria, DSB-89 and BCSI Building Component Safety Information** available from Truss Plate Institute, 218 N. Lee Street, Suite 312, Alexandria, VA 22314.



818 Soundside Road
Edenton, NC 27932

Job B0119-0443	Truss A2	Truss Type COMMON	Qty 13	Ply 1	Prelude C	E12642186
-------------------	-------------	----------------------	-----------	----------	-----------	-----------

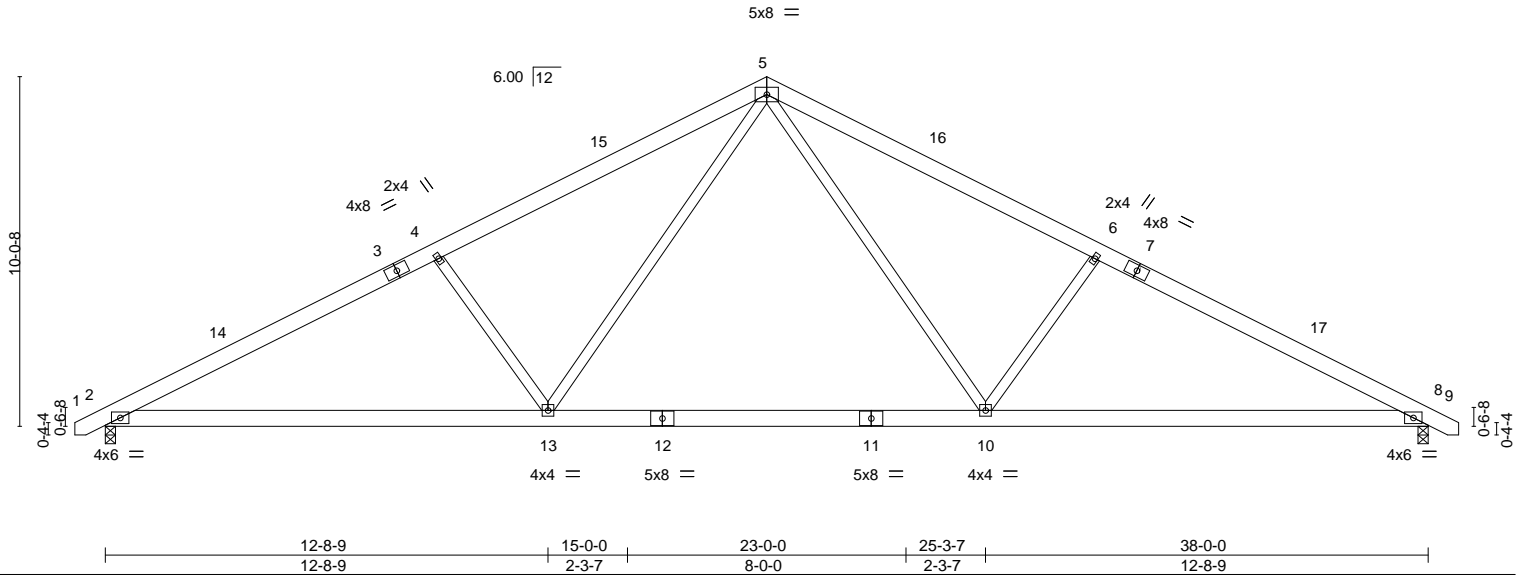
Comtech, Inc., Fayetteville, NC 28309

8.130 s Mar 11 2018 MiTek Industries, Inc. Mon Jan 28 12:40:00 2019 Page 1

ID:qBVty8JxTR2c0jvIHgLUvLzeJa3-zlFLb60mBwqneQfigZDyY5250H5hvo8cssYKBozqq1z

0-10-8 0-10-8	9-6-14 9-6-14	19-0-0 9-5-2	28-5-2 9-5-2	38-0-0 9-6-14	38-10-8 0-10-8
------------------	------------------	-----------------	-----------------	------------------	-------------------

Scale = 1:66.2



LOADING (psf)	SPACING-	CSI.	DEFL.	PLATES	GRIP
TCLL 20.0	2-0-0	TC 0.40	in (loc) l/defl L/d	MT20	244/190
TCDL 10.0	Plate Grip DOL 1.15	BC 0.85	Vert(LL) -0.59 10-13 >772 360		
BCLL 0.0 *	Lumber DOL 1.15	WB 0.43	Vert(CT) -0.72 10-13 >631 240		
BCDL 10.0	Rep Stress Incr YES	Matrix-S	Horz(CT) 0.08 8 n/a n/a		
	Code IRC2015/TPI2014		Wind(LL) 0.07 2-13 >999 240	Weight: 242 lb	FT = 20%

LUMBER-

TOP CHORD 2x6 SP No.1
 BOT CHORD 2x6 SP No.1
 WEBS 2x4 SP No.2 *Except*
 6-10,4-13: 2x4 SP No.3

BRACING-

TOP CHORD Structural wood sheathing directly applied or 4-2-2 oc purlins.
 BOT CHORD Rigid ceiling directly applied or 10-0-0 oc bracing.

REACTIONS.

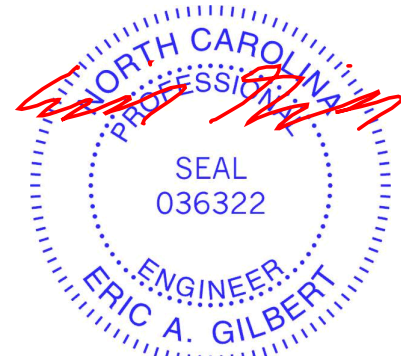
(lb/size) 2=1560/0-3-8, 8=1560/0-3-8
 Max Horz 2=-128(LC 8)
 Max Uplift 2=-141(LC 10), 8=-141(LC 11)
 Max Grav 2=1646(LC 2), 8=1646(LC 2)

FORCES. (lb) - Max. Comp./Max. Ten. - All forces 250 (lb) or less except when shown.

TOP CHORD 2-4=-3014/719, 4-5=-2743/724, 5-6=-2743/724, 6-8=-3014/719
 BOT CHORD 2-13=-489/2648, 10-13=-192/1734, 8-10=-489/2599
 WEBS 5-10=-187/1177, 6-10=-575/343, 5-13=-187/1176, 4-13=-575/343

NOTES-

- Unbalanced roof live loads have been considered for this design.
- Wind: ASCE 7-10; Vult=130mph (3-second gust) Vasd=103mph; TC DL=6.0psf; BCDL=5.0psf; h=15ft; Cat. II; Exp C; enclosed; MWFRS (envelope) and C-C Exterior(2) -0-8-10 to 3-8-3, Interior(1) 3-8-3 to 14-7-3, Exterior(2) 14-7-3 to 19-0-0, Interior(1) 23-4-13 to 34-3-13 zone; C-C for members and forces & MWFRS for reactions shown; Lumber DOL=1.60 plate grip DOL=1.60
- This truss has been designed for a 10.0 psf bottom chord live load nonconcurrent with any other live loads.
- * This truss has been designed for a live load of 30.0psf on the bottom chord in all areas with a clearance greater than 6-0-0 between the bottom chord and any other members, with BCDL = 10.0psf.
- Provide mechanical connection (by others) of truss to bearing plate capable of withstanding 100 lb uplift at joint(s) except (jt=lb) 2=141, 8=141.



January 28, 2019

WARNING - Verify design parameters and READ NOTES ON THIS AND INCLUDED MITEK REFERENCE PAGE MII-7473 rev. 10/03/2015 BEFORE USE.

Design valid for use only with MiTek® connectors. This design is based only upon parameters shown, and is for an individual building component, not a truss system. Before use, the building designer must verify the applicability of design parameters and properly incorporate this design into the overall building design. Bracing indicated is to prevent buckling of individual truss web and/or chord members only. Additional temporary and permanent bracing is always required for stability and to prevent collapse with possible personal injury and property damage. For general guidance regarding the fabrication, storage, delivery, erection and bracing of trusses and truss systems, see **ANSI/TPI1 Quality Criteria, DSB-89 and BCSI Building Component Safety Information** available from Truss Plate Institute, 218 N. Lee Street, Suite 312, Alexandria, VA 22314.



818 Soundside Road
 Edenton, NC 27932

Job B0119-0443	Truss A2-P	Truss Type COMMON	Qty 2	Ply 1	Prelude C	E12642187
-------------------	---------------	----------------------	----------	----------	-----------	-----------

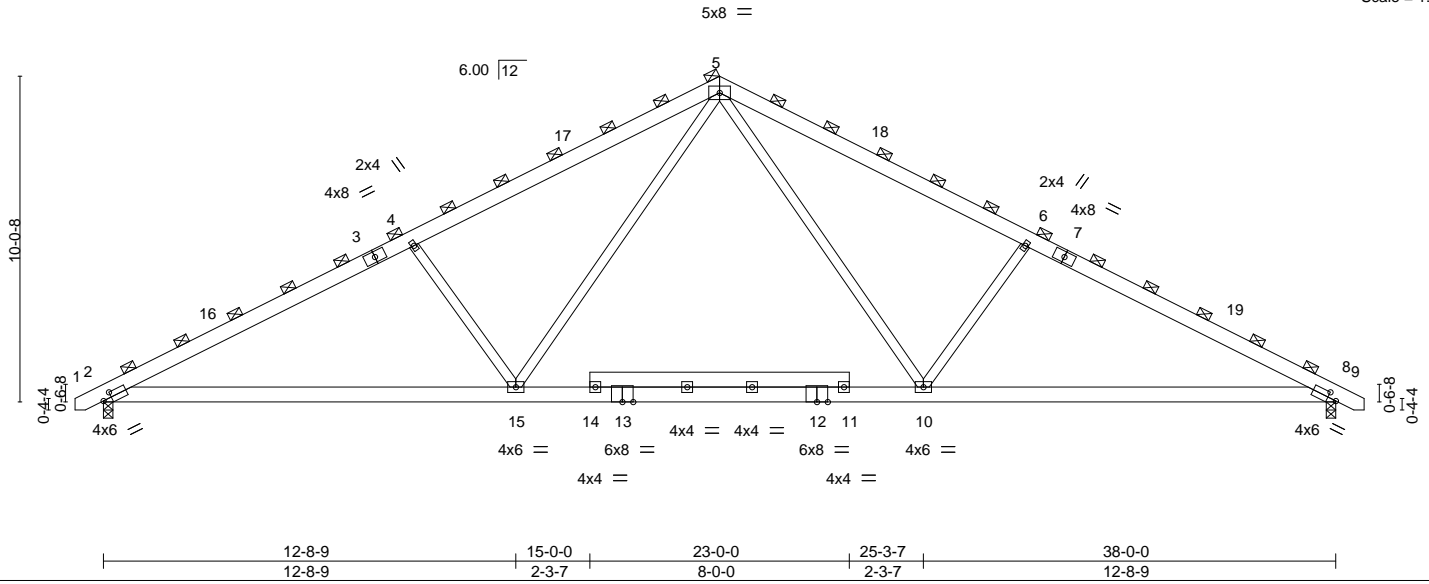
Comtech, Inc., Fayetteville, NC 28309

8.130 s Mar 11 2018 MiTek Industries, Inc. Mon Jan 28 12:40:01 2019 Page 1

ID:qBVty8JxTR2c0jvIHgLUvLzeJa3-RypkpR1OyDyeFaEuEHIB4IaEjhSRreUI4WHtkFzqq1y

0'-10-8 0'-10-8	9'-6-14 9'-6-14	19'-0-0 9'-5-2	28'-5-2 9'-5-2	38'-0-0 9'-6-14	38'-10-8 0'-10-8
--------------------	--------------------	-------------------	-------------------	--------------------	---------------------

Scale = 1:71.0



LOADING (psf)	SPACING-	CSL	DEFL.	PLATES	GRIP
TCLL 20.0	2-3-0	TC 0.53	in (loc) l/defl L/d	MT20	244/190
TCDL 10.0	Plate Grip DOL 1.15	BC 0.81	Vert(LL) -0.33 10-15 >999 360		
BCLL 0.0 *	Lumber DOL 1.15	WB 0.49	Vert(CT) -0.47 10-15 >971 240		
BCDL 10.0	Rep Stress Incr NO	Matrix-S	Horz(CT) 0.10 8 n/a n/a		
	Code IRC2015/TPI2014		Wind(LL) 0.09 10-15 >999 240	Weight: 261 lb	FT = 20%

LUMBER-
 TOP CHORD 2x6 SP No.1
 BOT CHORD 2x6 SP No.1
 WEBS 2x4 SP No.2 *Except*
 6-10,4-15: 2x4 SP No.3, 11-14: 2x6 SP No.1

BRACING-
 TOP CHORD 2-0-0 oc purlins (3-10-5 max.)
 (Switched from sheeted: Spacing > 2-0-0).
 BOT CHORD Rigid ceiling directly applied or 9-0-8 oc bracing.

REACTIONS. (lb/size) 2=1755/0-3-8, 8=1755/0-3-8
 Max Horz 2=-144(LC 8)
 Max Uplift 2=-158(LC 10), 8=-158(LC 11)
 Max Grav 2=1851(LC 2), 8=1851(LC 2)

FORCES. (lb) - Max. Comp./Max. Ten. - All forces 250 (lb) or less except when shown.
 TOP CHORD 2-4=-3336/813, 4-5=-3054/818, 5-6=-3054/818, 6-8=-3336/813
 BOT CHORD 2-15=-553/2954, 10-15=-220/1931, 8-10=-553/2899
 WEBS 5-10=-212/1309, 6-10=-647/385, 5-15=-212/1309, 4-15=-647/385

- NOTES-**
- Unbalanced roof live loads have been considered for this design.
 - Wind: ASCE 7-10; Vult=130mph (3-second gust) Vasd=103mph; TC DL=6.0psf; BCDL=5.0psf; h=15ft; Cat. II; Exp C; enclosed; MWFRS (envelope) and C-C Exterior(2) -0-8-10 to 3-8-3, Interior(1) 3-8-3 to 14-7-3, Exterior(2) 14-7-3 to 19-0-0, Interior(1) 23-4-13 to 34-3-13 zone; C-C for members and forces & MWFRS for reactions shown; Lumber DOL=1.60 plate grip DOL=1.60
 - This truss has been designed for a 10.0 psf bottom chord live load nonconcurrent with any other live loads.
 - * This truss has been designed for a live load of 30.0psf on the bottom chord in all areas with a clearance greater than 6-0-0 between the bottom chord and any other members, with BCDL = 10.0psf.
 - Provide mechanical connection (by others) of truss to bearing plate capable of withstanding 100 lb uplift at joint(s) except (jt=lb) 2=158, 8=158.
 - Graphical purlin representation does not depict the size or the orientation of the purlin along the top and/or bottom chord.



January 28, 2019

WARNING - Verify design parameters and READ NOTES ON THIS AND INCLUDED MITEK REFERENCE PAGE MII-7473 rev. 10/03/2015 BEFORE USE.

Design valid for use only with MiTek® connectors. This design is based only upon parameters shown, and is for an individual building component, not a truss system. Before use, the building designer must verify the applicability of design parameters and properly incorporate this design into the overall building design. Bracing indicated is to prevent buckling of individual truss web and/or chord members only. Additional temporary and permanent bracing is always required for stability and to prevent collapse with possible personal injury and property damage. For general guidance regarding the fabrication, storage, delivery, erection and bracing of trusses and truss systems, see **ANSI/TPI1 Quality Criteria, DSB-89 and BCSI Building Component Safety Information** available from Truss Plate Institute, 218 N. Lee Street, Suite 312, Alexandria, VA 22314.



818 Soundside Road
 Edenton, NC 27932

Job B0119-0443	Truss A3	Truss Type Common	Qty 3	Ply 1	Prelude C	E12642188
-------------------	-------------	----------------------	----------	----------	-----------	-----------

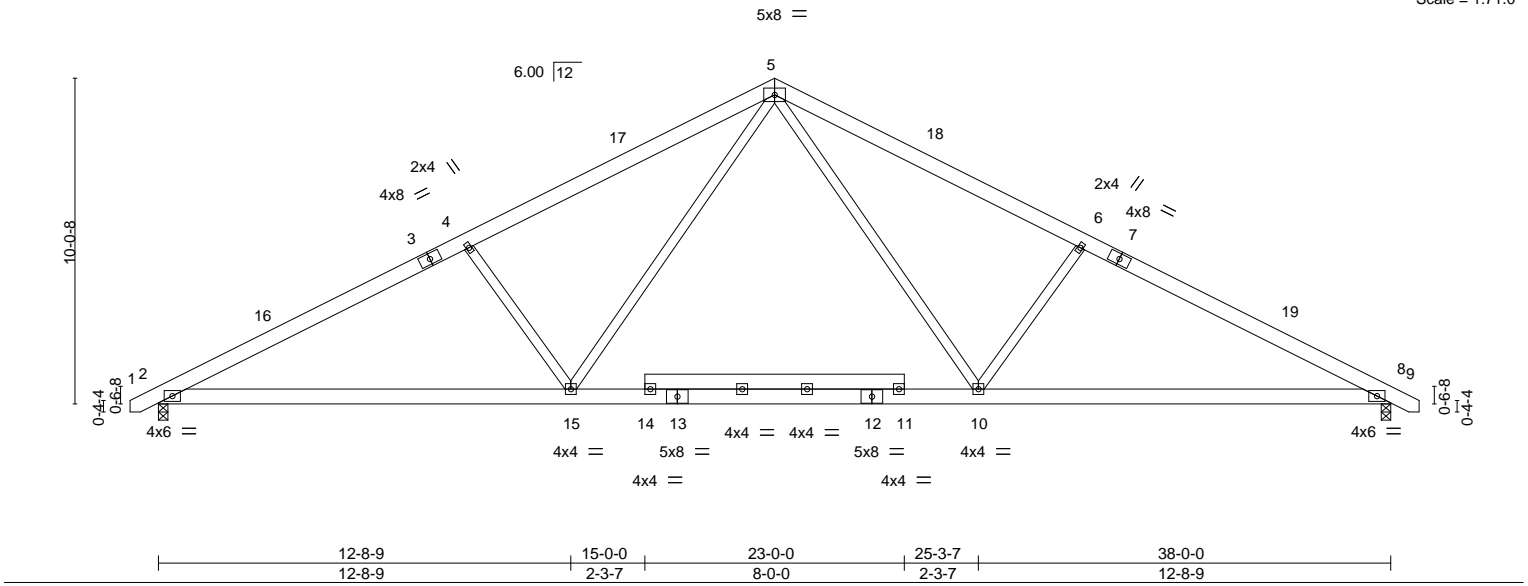
Comtech, Inc., Fayetteville, NC 28309

8.130 s Mar 11 2018 MiTek Industries, Inc. Mon Jan 28 12:40:05 2019 Page 1

ID:qBVty8JxTR2c0jvIHgLUvLzeJa3-Kj3Eep4v?SS4kBYgT7p7E8lymlsoa3JL?8F5t0zqq1u

0'-10-8 9'-6-14 19'-0-0 28'-5-2 38'-0-0 38'-10-8
0'-10-8 9'-6-14 9'-5-2 9'-5-2 9'-6-14 0'-10-8

Scale = 1:71.0



LOADING (psf)	SPACING-	CSI.	DEFL.	PLATES	GRIP
TCLL 20.0	2-0-0	TC 0.40	in (loc) l/defl L/d	MT20	244/190
TCDL 10.0	Plate Grip DOL 1.15	BC 0.66	Vert(LL) -0.30 10-15 >999 360		
BCLL 0.0 *	Lumber DOL 1.15	WB 0.43	Vert(CT) -0.41 10-15 >999 240		
BCDL 10.0	Rep Stress Incr YES	Matrix-S	Horz(CT) 0.09 8 n/a n/a		
	Code IRC2015/TPI2014		Wind(LL) 0.08 10-15 >999 240	Weight: 261 lb	FT = 20%

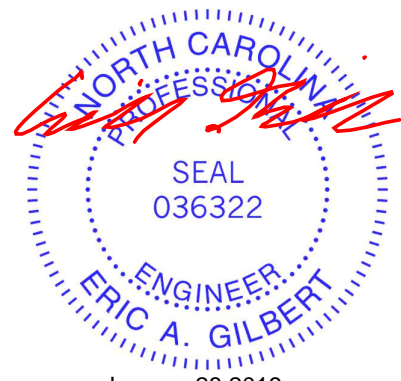
LUMBER-
TOP CHORD 2x6 SP No.1
BOT CHORD 2x6 SP No.1
WEBS 2x4 SP No.2 *Except*
6-10,4-15: 2x4 SP No.3, 11-14: 2x6 SP No.1

BRACING-
TOP CHORD Structural wood sheathing directly applied or 4-2-3 oc purlins.
BOT CHORD Rigid ceiling directly applied or 10-0-0 oc bracing.

REACTIONS. (lb/size) 2=1560/0-3-8, 8=1560/0-3-8
Max Horz 2=-128(LC 8)
Max Uplift 2=-141(LC 10), 8=-141(LC 11)
Max Grav 2=1646(LC 2), 8=1646(LC 2)

FORCES. (lb) - Max. Comp./Max. Ten. - All forces 250 (lb) or less except when shown.
TOP CHORD 2-4=-2965/723, 4-5=-2715/727, 5-6=-2715/727, 6-8=-2965/723
BOT CHORD 2-15=-492/2626, 10-15=-196/1716, 8-10=-492/2577
WEBS 5-10=-189/1163, 6-10=-575/342, 5-15=-189/1163, 4-15=-575/342

NOTES-
1) Unbalanced roof live loads have been considered for this design.
2) Wind: ASCE 7-10; Vult=130mph (3-second gust) Vasd=103mph; TCCL=6.0psf; BCDL=5.0psf; h=15ft; Cat. II; Exp C; enclosed; MWFRS (envelope) and C-C Exterior(2) -0-8-10 to 3-8-3, Interior(1) 3-8-3 to 14-7-3, Exterior(2) 14-7-3 to 19-0-0, Interior(1) 23-4-13 to 34-3-13 zone;C-C for members and forces & MWFRS for reactions shown; Lumber DOL=1.60 plate grip DOL=1.60
3) This truss has been designed for a 10.0 psf bottom chord live load nonconcurrent with any other live loads.
4) * This truss has been designed for a live load of 30.0psf on the bottom chord in all areas with a clearance greater than 6-0-0 between the bottom chord and any other members, with BCDL = 10.0psf.
5) Provide mechanical connection (by others) of truss to bearing plate capable of withstanding 100 lb uplift at joint(s) except (jt=lb) 2=141, 8=141.



Job B0119-0443	Truss A5	Truss Type COMMON SUPPORTED GAB	Qty 1	Ply 1	Prelude C Job Reference (optional)	E12642189
-------------------	-------------	------------------------------------	----------	----------	---------------------------------------	-----------

Comtech, Inc., Fayetteville, NC 28309

8.130 s Mar 11 2018 MiTek Industries, Inc. Mon Jan 28 12:40:09 2019 Page 1
ID:qBVty8JxTR2c0jvIHgLUvLzeJa3-CUIIUB7Q3hyWDorRiyu3P_wjrvNOWxzxwmDl0nzq1q

-0-10-8 19-0-0 38-0-0 38-10-8
0-10-8 19-0-0 19-0-0 0-10-8

Scale = 1:66.3

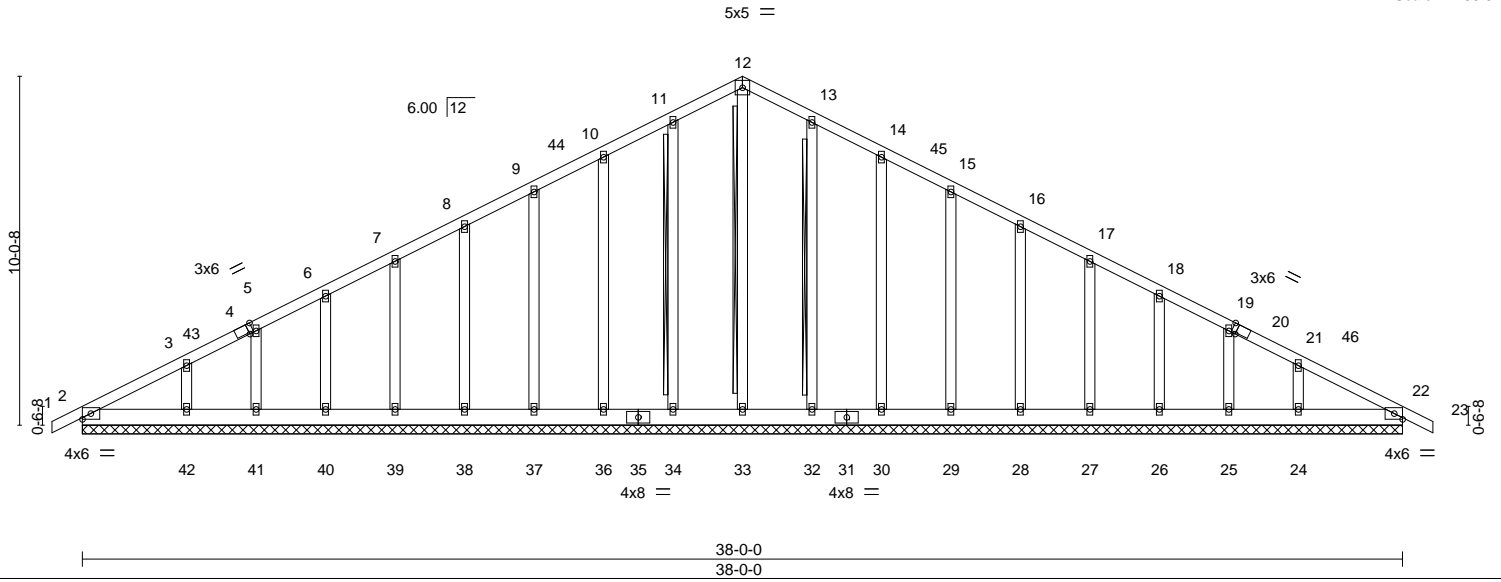


Plate Offsets (X,Y)--	[4:0-1-9,Edge], [20:0-1-9,Edge]				
LOADING (psf)	SPACING- 2-0-0	CSI.	DEFL. in (loc) l/defl L/d	PLATES	GRIP
TCLL 20.0	Plate Grip DOL 1.15	TC 0.08	Vert(LL) 0.00 22 n/r 120	MT20	244/190
TCDL 10.0	Lumber DOL 1.15	BC 0.04	Vert(CT) 0.00 22 n/r 120		
BCLL 0.0 *	Rep Stress Incr YES	WB 0.13	Horz(CT) 0.01 22 n/a n/a		
BCDL 10.0	Code IRC2015/TPI2014	Matrix-S		Weight: 284 lb	FT = 20%

LUMBER-
TOP CHORD 2x4 SP No.1
BOT CHORD 2x6 SP No.1
OTHERS 2x4 SP No.3

BRACING-
TOP CHORD Structural wood sheathing directly applied or 6'-0-0 oc purlins.
BOT CHORD Rigid ceiling directly applied or 10'-0-0 oc bracing.
WEBS T-Brace: 2x4 SPF No.2 - 12-33, 11-34, 13-32
Fasten (2X) T and I braces to narrow edge of web with 10d (0.131"x3") nails, 6in o.c., with 3in minimum end distance.
Brace must cover 90% of web length.

REACTIONS. All bearings 38-0-0.
(lb) - Max Horz 2=201(LC 14)
Max Uplift All uplift 100 lb or less at joint(s) 2, 34, 36, 37, 38, 39, 40, 41, 32, 30, 29, 28, 27, 26, 25 except 42=-119(LC 10), 24=-117(LC 11)
Max Grav All reactions 250 lb or less at joint(s) 2, 34, 36, 37, 38, 39, 40, 41, 42, 32, 30, 29, 28, 27, 26, 25, 24, 22 except 33=285(LC 20)

FORCES. (lb) - Max. Comp./Max. Ten. - All forces 250 (lb) or less except when shown.
TOP CHORD 2-3=-267/81, 10-11=-101/303, 11-12=-121/390, 12-13=-121/390, 13-14=-101/303
BOT CHORD 2-42=-61/262, 41-42=-61/262, 40-41=-61/262, 39-40=-61/262, 38-39=-61/262, 37-38=-61/262, 36-37=-61/262, 34-36=-61/262, 33-34=-61/262, 32-33=-61/262, 30-32=-61/262, 29-30=-61/262, 28-29=-61/262, 27-28=-61/262, 26-27=-61/262, 25-26=-61/262, 24-25=-61/262, 22-24=-61/262

- NOTES-**
- Unbalanced roof live loads have been considered for this design.
 - Wind: ASCE 7-10; Vult=130mph (3-second gust) Vasd=103mph; TCCL=6.0psf; BCDL=5.0psf; h=15ft; Cat. II; Exp C; enclosed; MWFRS (envelope) gable end zone and C-C Corner(3) -0-10-8 to 3-6-5, Exterior(2) 3-6-5 to 14-7-3, Corner(3) 14-7-3 to 19-0-0, Exterior(2) 23-4-13 to 34-5-11 zone; C-C for members and forces & MWFRS for reactions shown; Lumber DOL=1.60 plate grip DOL=1.60
 - Truss designed for wind loads in the plane of the truss only. For studs exposed to wind (normal to the face), see Standard Industry Gable End Details as applicable, or consult qualified building designer as per ANSI/TPI 1.
 - All plates are 2x4 MT20 unless otherwise indicated.
 - Gable requires continuous bottom chord bearing.
 - Gable studs spaced at 2'-0-0 oc.
 - This truss has been designed for a 10.0 psf bottom chord live load nonconcurrent with any other live loads.
 - * This truss has been designed for a live load of 30.0psf on the bottom chord in all areas with a clearance greater than 6'-0-0 between the bottom chord and any other members, with BCDL = 10.0psf.
 - Provide mechanical connection (by others) of truss to bearing plate capable of withstanding 100 lb uplift at joint(s) 2, 34, 36, 37, 38, 39, 40, 41, 32, 30, 29, 28, 27, 26, 25 except (j=lb) 42=119, 24=117.
 - Warning: Additional permanent and stability bracing for truss system (not part of this component design) is always required.

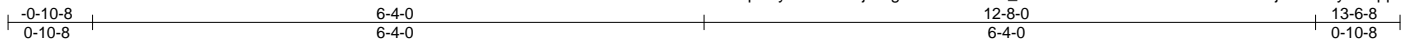


January 28, 2019

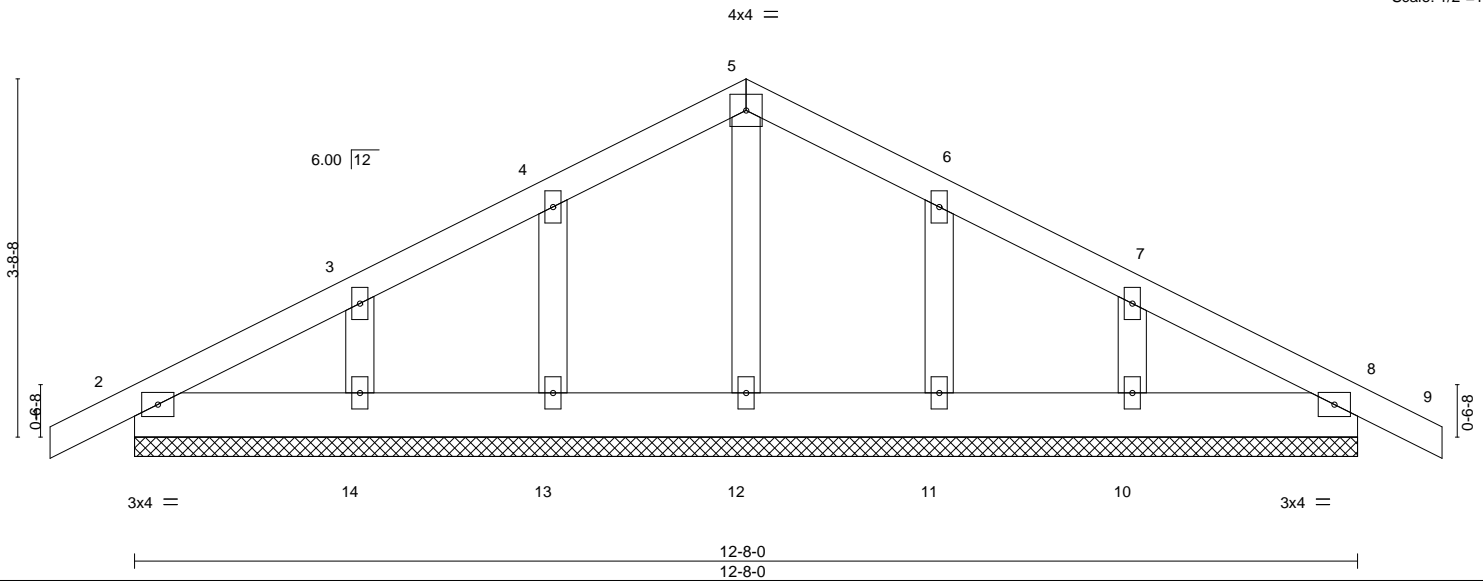
Job B0119-0443	Truss B1	Truss Type COMMON SUPPORTED GAB	Qty 1	Ply 1	Prelude C Job Reference (optional)	E12642190
-------------------	-------------	------------------------------------	----------	----------	---------------------------------------	-----------

Comtech, Inc., Fayetteville, NC 28309

8.130 s Mar 11 2018 MiTek Industries, Inc. Mon Jan 28 12:40:12 2019 Page 1
ID:qBVty8JxTR2c0jvIHgLUvLzeJa3-d3_u6CAIMcL44Ga0N5Rm1cYFR6PTJnNckSyc6zqq1n



Scale: 1/2"=1'



LOADING (psf)	SPACING-	CSL.	DEFL.	in (loc)	l/defl	L/d	PLATES	GRIP
TCLL 20.0	2-0-0	TC 0.05	Vert(LL) -0.00	8	n/r	120	MT20	244/190
TCDL 10.0	Plate Grip DOL 1.15	BC 0.01	Vert(CT) -0.00	8	n/r	120		
BCLL 0.0 *	Lumber DOL 1.15	WB 0.06	Horz(CT) 0.00	8	n/a	n/a		
BCDL 10.0	Rep Stress Incr YES	Matrix-S					Weight: 67 lb	FT = 20%
	Code IRC2015/TPI2014							

LUMBER-
TOP CHORD 2x4 SP No.1
BOT CHORD 2x6 SP No.1
OTHERS 2x4 SP No.3

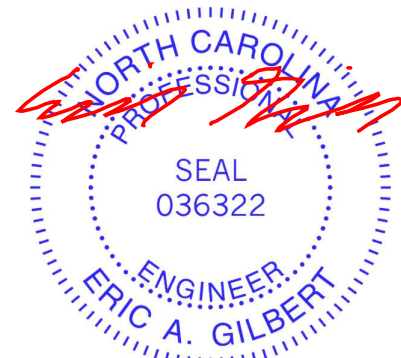
BRACING-
TOP CHORD Structural wood sheathing directly applied or 6-0-0 oc purlins.
BOT CHORD Rigid ceiling directly applied or 10-0-0 oc bracing.

REACTIONS. All bearings 12-8-0.
(lb) - Max Horz 2=73(LC 10)
Max Uplift All uplift 100 lb or less at joint(s) 2, 8, 13, 14, 11, 10
Max Grav All reactions 250 lb or less at joint(s) 2, 8, 12, 13, 14, 11, 10

FORCES. (lb) - Max. Comp./Max. Ten. - All forces 250 (lb) or less except when shown.

NOTES-

- Unbalanced roof live loads have been considered for this design.
- Wind: ASCE 7-10; Vult=130mph (3-second gust) Vasd=103mph; TCDL=6.0psf; BCDL=5.0psf; h=15ft; Cat. II; Exp C; enclosed; MWFRS (envelope) gable end zone and C-C Corner(3) zone;C-C for members and forces & MWFRS for reactions shown; Lumber DOL=1.60 plate grip DOL=1.60
- Truss designed for wind loads in the plane of the truss only. For studs exposed to wind (normal to the face), see Standard Industry Gable End Details as applicable, or consult qualified building designer as per ANSI/TPI 1.
- All plates are 2x4 MT20 unless otherwise indicated.
- Gable requires continuous bottom chord bearing.
- Gable studs spaced at 2-0-0 oc.
- This truss has been designed for a 10.0 psf bottom chord live load nonconcurrent with any other live loads.
- * This truss has been designed for a live load of 30.0psf on the bottom chord in all areas with a clearance greater than 6-0-0 between the bottom chord and any other members.
- Provide mechanical connection (by others) of truss to bearing plate capable of withstanding 100 lb uplift at joint(s) 2, 8, 13, 14, 11, 10.
- Beveled plate or shim required to provide full bearing surface with truss chord at joint(s) 2.



January 28, 2019

WARNING - Verify design parameters and READ NOTES ON THIS AND INCLUDED MITEK REFERENCE PAGE MII-7473 rev. 10/03/2015 BEFORE USE.

Design valid for use only with MiTek® connectors. This design is based only upon parameters shown, and is for an individual building component, not a truss system. Before use, the building designer must verify the applicability of design parameters and properly incorporate this design into the overall building design. Bracing indicated is to prevent buckling of individual truss web and/or chord members only. Additional temporary and permanent bracing is always required for stability and to prevent collapse with possible personal injury and property damage. For general guidance regarding the fabrication, storage, delivery, erection and bracing of trusses and truss systems, see **ANSI/TPI1 Quality Criteria, DSB-89 and BCSI Building Component Safety Information** available from Truss Plate Institute, 218 N. Lee Street, Suite 312, Alexandria, VA 22314.



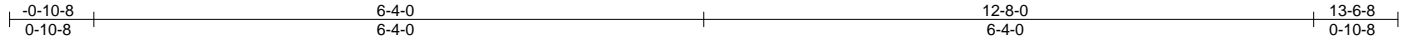
818 Soundside Road
Edenton, NC 27932

Job B0119-0443	Truss B2	Truss Type COMMON	Qty 1	Ply 1	Prelude C	E12642191
-------------------	-------------	----------------------	----------	----------	-----------	-----------

Comtech, Inc., Fayetteville, NC 28309

8.130 s Mar 11 2018 MiTek Industries, Inc. Mon Jan 28 12:40:13 2019 Page 1

ID:qBVty8JxTR2c0jvIHgLUvLzeJa3-5FYGKYAw7vTXiQ9CxoY?Zq4LxWi4Sm9WroBW9Yzqq1m



Scale: 1/2"=1'

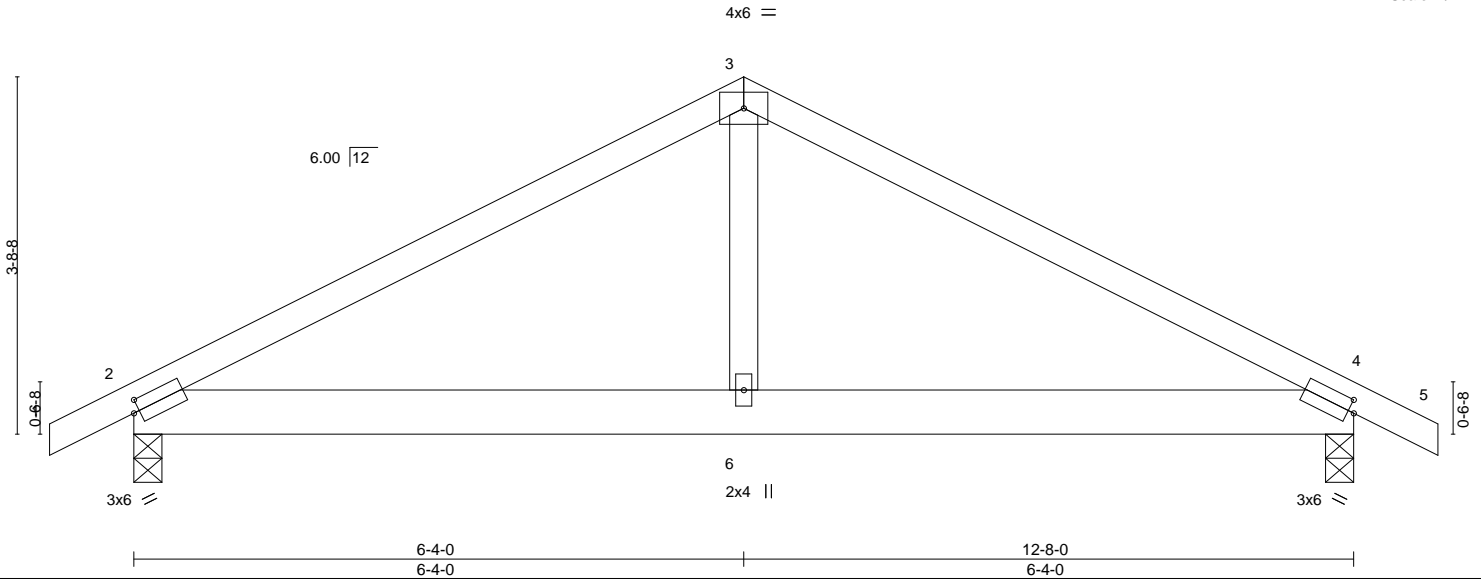


Plate Offsets (X,Y)-- [2:0-0-12,0-1-8], [4:0-0-12,0-1-8]

LOADING (psf)	SPACING-	2-0-0	CSI.	DEFL.	in	(loc)	l/defl	L/d	PLATES	GRIP
TCLL 20.0	Plate Grip DOL	1.15	TC 0.33	Vert(LL)	-0.01	4-6	>999	360	MT20	244/190
TCDL 10.0	Lumber DOL	1.15	BC 0.18	Vert(CT)	-0.03	4-6	>999	240		
BCLL 0.0 *	Rep Stress Incr	YES	WB 0.12	Horz(CT)	0.01	4	n/a	n/a		
BCDL 10.0	Code IRC2015/TPI2014		Matrix-S	Wind(LL)	0.01	4-6	>999	240	Weight: 58 lb	FT = 20%

LUMBER-
 TOP CHORD 2x4 SP No.1
 BOT CHORD 2x6 SP No.1
 WEBS 2x4 SP No.3

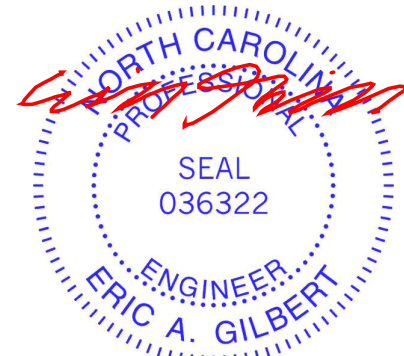
BRACING-
 TOP CHORD Structural wood sheathing directly applied or 6-0-0 oc purlins.
 BOT CHORD Rigid ceiling directly applied or 10-0-0 oc bracing.

REACTIONS. (lb/size) 2=556/0-3-8, 4=556/0-3-8
 Max Horz 2=47(LC 9)
 Max Uplift 2=-56(LC 10), 4=-56(LC 11)

FORCES. (lb) - Max. Comp./Max. Ten. - All forces 250 (lb) or less except when shown.
 TOP CHORD 2-3=-690/281, 3-4=-690/281
 BOT CHORD 2-6=-110/527, 4-6=-110/527
 WEBS 3-6=0/316

NOTES-

- Unbalanced roof live loads have been considered for this design.
- Wind: ASCE 7-10; Vult=130mph (3-second gust) Vasd=103mph; TCDL=6.0psf; BCDL=5.0psf; h=15ft; Cat. II; Exp C; enclosed; MWFRS (envelope) and C-C Exterior(2) zone;C-C for members and forces & MWFRS for reactions shown; Lumber DOL=1.60 plate grip DOL=1.60
- This truss has been designed for a 10.0 psf bottom chord live load nonconcurrent with any other live loads.
- * This truss has been designed for a live load of 30.0psf on the bottom chord in all areas with a clearance greater than 6-0-0 between the bottom chord and any other members.
- Provide mechanical connection (by others) of truss to bearing plate capable of withstanding 100 lb uplift at joint(s) 2, 4.



January 28, 2019

WARNING - Verify design parameters and READ NOTES ON THIS AND INCLUDED MITEK REFERENCE PAGE MII-7473 rev. 10/03/2015 BEFORE USE.

Design valid for use only with MiTek® connectors. This design is based only upon parameters shown, and is for an individual building component, not a truss system. Before use, the building designer must verify the applicability of design parameters and properly incorporate this design into the overall building design. Bracing indicated is to prevent buckling of individual truss web and/or chord members only. Additional temporary and permanent bracing is always required for stability and to prevent collapse with possible personal injury and property damage. For general guidance regarding the fabrication, storage, delivery, erection and bracing of trusses and truss systems, see **ANSI/TPI1 Quality Criteria, DSB-89 and BCSI Building Component Safety Information** available from Truss Plate Institute, 218 N. Lee Street, Suite 312, Alexandria, VA 22314.

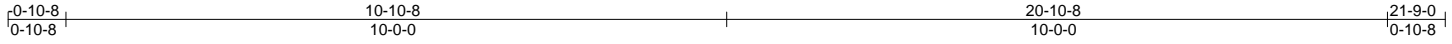


818 Soundside Road
 Edenton, NC 27932

Job B0119-0443	Truss G1	Truss Type GABLE	Qty 1	Ply 1	Prelude C Job Reference (optional)	E12642192
-------------------	-------------	---------------------	----------	----------	---------------------------------------	-----------

Comtech, Inc., Fayetteville, NC 28309

8.130 s Mar 11 2018 MiTek Industries, Inc. Mon Jan 28 12:40:16 2019 Page 1
ID:qBVty8JxTR2c0jvIHgLUvLzeJa3-VqDPyaDpQqrWZttncxWiBSivbkm_f7kzXMQAItzqq1j



Scale = 1:34.9

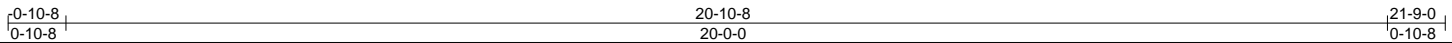
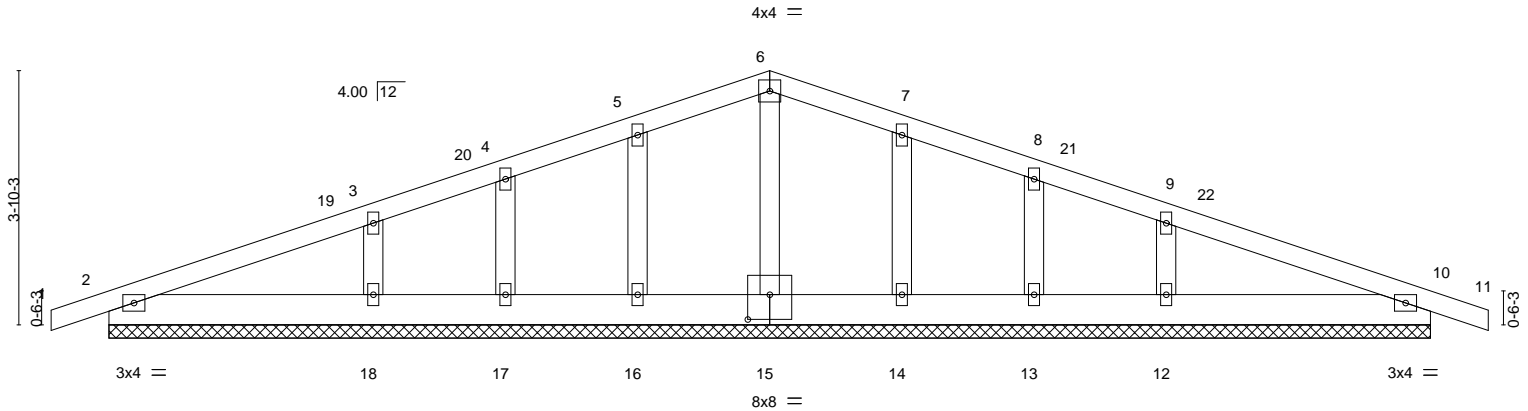


Plate Offsets (X,Y)-- [15:0-4-0,0-4-8]

LOADING (psf)	SPACING-	CSI.	DEFL.	PLATES	GRIP
TCLL 20.0	2-0-0	TC 0.11	in (loc) l/defl L/d	MT20	244/190
TCDL 10.0	Plate Grip DOL 1.15	BC 0.04	Vert(LL) 0.00 11 n/r 120		
BCLL 0.0 *	Lumber DOL 1.15	WB 0.07	Vert(CT) 0.00 11 n/r 120		
BCDL 10.0	Rep Stress Incr YES	Matrix-S	Horz(CT) 0.00 10 n/a n/a		
	Code IRC2015/TPI2014			Weight: 102 lb	FT = 20%

LUMBER-
TOP CHORD 2x4 SP No.1
BOT CHORD 2x6 SP No.1
OTHERS 2x4 SP No.3

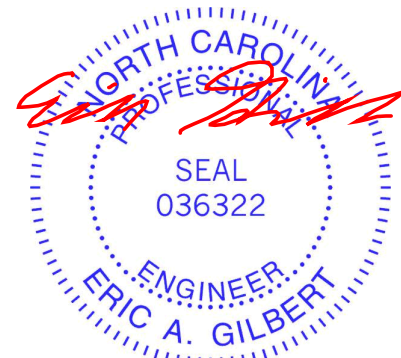
BRACING-
TOP CHORD Structural wood sheathing directly applied or 6-0-0 oc purlins.
BOT CHORD Rigid ceiling directly applied or 10-0-0 oc bracing.

REACTIONS. All bearings 20-0-0.
(lb) - Max Horz 2=-73(LC 11)
Max Uplift All uplift 100 lb or less at joint(s) 10, 2, 16, 17, 14, 13 except 18=-121(LC 10), 12=-120(LC 11)
Max Grav All reactions 250 lb or less at joint(s) 10, 2, 15, 16, 17, 14, 13 except 18=315(LC 21), 12=315(LC 22)

FORCES. (lb) - Max. Comp./Max. Ten. - All forces 250 (lb) or less except when shown.

NOTES-

- Unbalanced roof live loads have been considered for this design.
- Wind: ASCE 7-10; Vult=130mph (3-second gust) Vasd=103mph; TC DL=6.0psf; BCDL=5.0psf; h=15ft; Cat. II; Exp C; enclosed; MWFRS (envelope) gable end zone and C-C Corner(3) -0-10-8 to 3-6-5, Exterior(2) 3-6-5 to 5-7-3, Corner(3) 5-7-3 to 10-0-0, Exterior(2) 14-4-13 to 16-5-11 zone; C-C for members and forces & MWFRS for reactions shown; Lumber DOL=1.60 plate grip DOL=1.60
- Truss designed for wind loads in the plane of the truss only. For studs exposed to wind (normal to the face), see Standard Industry Gable End Details as applicable, or consult qualified building designer as per ANSI/TPI 1.
- All plates are 2x4 MT20 unless otherwise indicated.
- Gable requires continuous bottom chord bearing.
- Gable studs spaced at 2-0-0 oc.
- This truss has been designed for a 10.0 psf bottom chord live load nonconcurrent with any other live loads.
- * This truss has been designed for a live load of 30.0psf on the bottom chord in all areas with a clearance greater than 6-0-0 between the bottom chord and any other members.
- Provide mechanical connection (by others) of truss to bearing plate capable of withstanding 100 lb uplift at joint(s) 10, 2, 16, 17, 14, 13 except (jt=lb) 18=121, 12=120.
- See Standard Industry Piggyback Truss Connection Detail for Connection to base truss as applicable, or consult qualified building designer.



January 28, 2019

WARNING - Verify design parameters and READ NOTES ON THIS AND INCLUDED MITEK REFERENCE PAGE MII-7473 rev. 10/03/2015 BEFORE USE.

Design valid for use only with MiTek® connectors. This design is based only upon parameters shown, and is for an individual building component, not a truss system. Before use, the building designer must verify the applicability of design parameters and properly incorporate this design into the overall building design. Bracing indicated is to prevent buckling of individual truss web and/or chord members only. Additional temporary and permanent bracing is always required for stability and to prevent collapse with possible personal injury and property damage. For general guidance regarding the fabrication, storage, delivery, erection and bracing of trusses and truss systems, see **ANSI/TPI1 Quality Criteria, DSB-89 and BCSI Building Component Safety Information** available from Truss Plate Institute, 218 N. Lee Street, Suite 312, Alexandria, VA 22314.

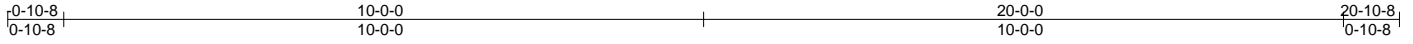


818 Soundside Road
Edenton, NC 27932

Job B0119-0443	Truss G2	Truss Type Common	Qty 5	Ply 1	Prelude C Job Reference (optional)	E12642193
-------------------	-------------	----------------------	----------	----------	---------------------------------------	-----------

Comtech, Inc., Fayetteville, NC 28309

8.130 s Mar 11 2018 MiTek Industries, Inc. Mon Jan 28 12:40:17 2019 Page 1
ID:qBVty8JxTR2c0jvIHgLUvLzeJa3-z1nnAwDRA8zNA1SzAe1xkgFyn7wjOYJ6m?9jUzqq1i



Scale = 1:36.0

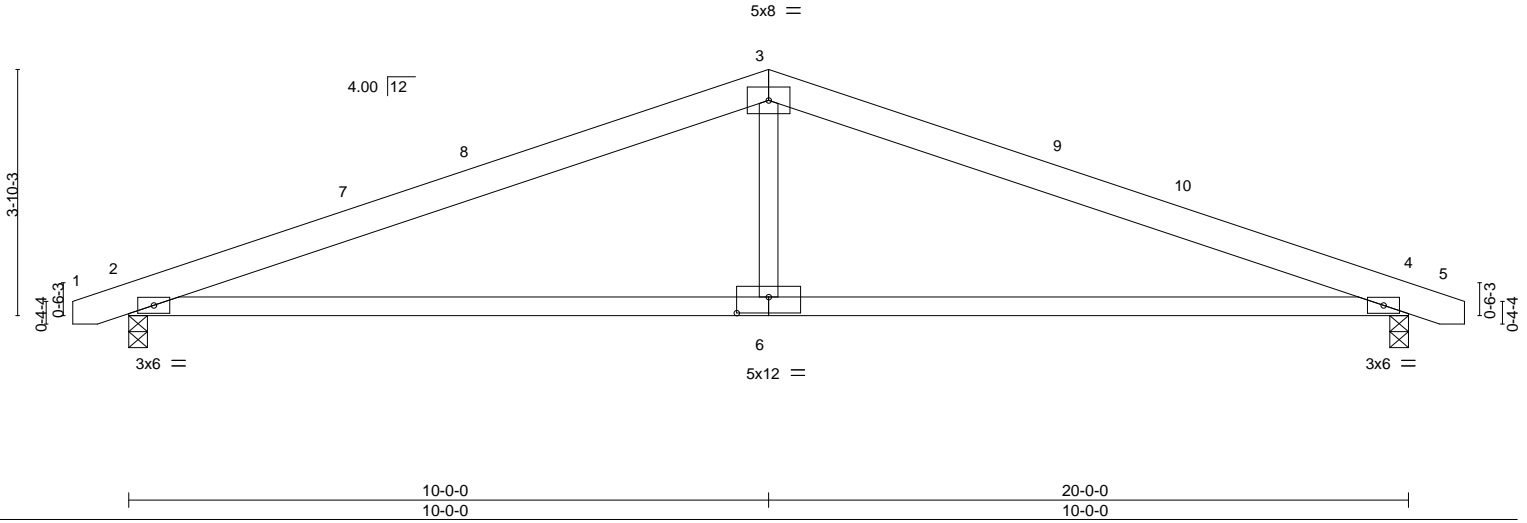


Plate Offsets (X,Y)--	[6:0-6-0,0-3-0]
-----------------------	-----------------

LOADING (psf)	SPACING-	CSI.	DEFL.	in (loc)	l/defl	L/d	PLATES	GRIP
TCLL 20.0	Plate Grip DOL 1.15	TC 0.59	Vert(LL) -0.17	2-6	>999	360	MT20	244/190
TCDL 10.0	Lumber DOL 1.15	BC 0.78	Vert(CT) -0.38	2-6	>624	240		
BCLL 0.0 *	Rep Stress Incr YES	WB 0.17	Horz(CT) 0.04	4	n/a	n/a		
BCDL 10.0	Code IRC2015/TPI2014	Matrix-S	Wind(LL) 0.06	2-6	>999	240	Weight: 88 lb	FT = 20%

LUMBER-	BRACING-
TOP CHORD 2x6 SP No.1	TOP CHORD Structural wood sheathing directly applied or 5-0-13 oc purlins.
BOT CHORD 2x4 SP No.1	BOT CHORD Rigid ceiling directly applied or 10-0-0 oc bracing.
WEBS 2x4 SP No.3	

REACTIONS. (lb/size) 4=838/0-3-8, 2=838/0-3-8
Max Horz 2=-43(LC 15)
Max Uplift 4=-112(LC 7), 2=-112(LC 6)

FORCES. (lb) - Max. Comp./Max. Ten. - All forces 250 (lb) or less except when shown.
TOP CHORD 2-3=-1438/461, 3-4=-1438/461
BOT CHORD 2-6=-329/1294, 4-6=-329/1294
WEBS 3-6=0/455

- NOTES-**
- Unbalanced roof live loads have been considered for this design.
 - Wind: ASCE 7-10; Vult=130mph (3-second gust) Vasd=103mph; TCDL=6.0psf; BCDL=5.0psf; h=15ft; Cat. II; Exp C; enclosed; MWFRS (envelope) and C-C Exterior(2) -0-8-3 to 3-8-10, Interior(1) 3-8-10 to 5-7-3, Exterior(2) 5-7-3 to 10-0-0, Interior(1) 14-4-13 to 16-3-6 zone; C-C for members and forces & MWFRS for reactions shown; Lumber DOL=1.60 plate grip DOL=1.60
 - This truss has been designed for a 10.0 psf bottom chord live load nonconcurrent with any other live loads.
 - * This truss has been designed for a live load of 30.0psf on the bottom chord in all areas with a clearance greater than 6-0-0 between the bottom chord and any other members.
 - Provide mechanical connection (by others) of truss to bearing plate capable of withstanding 100 lb uplift at joint(s) except (jt=lb) 4=112, 2=112.
 - See Standard Industry Piggyback Truss Connection Detail for Connection to base truss as applicable, or consult qualified building designer.



January 28, 2019

Job B0119-0443	Truss M1	Truss Type GABLE	Qty 1	Ply 1	Prelude C	E12642194
-------------------	-------------	---------------------	----------	----------	-----------	-----------

Comtech, Inc., Fayetteville, NC 28309

8.130 s Mar 11 2018 MiTek Industries, Inc. Mon Jan 28 12:40:17 2019 Page 1

ID:qBVty8JxTR2c0jvIHgLUvLzeJa3-z1nnAwDRA8zNA1SzAe1xkgF_G72zOal6m?9JlJzqq1i

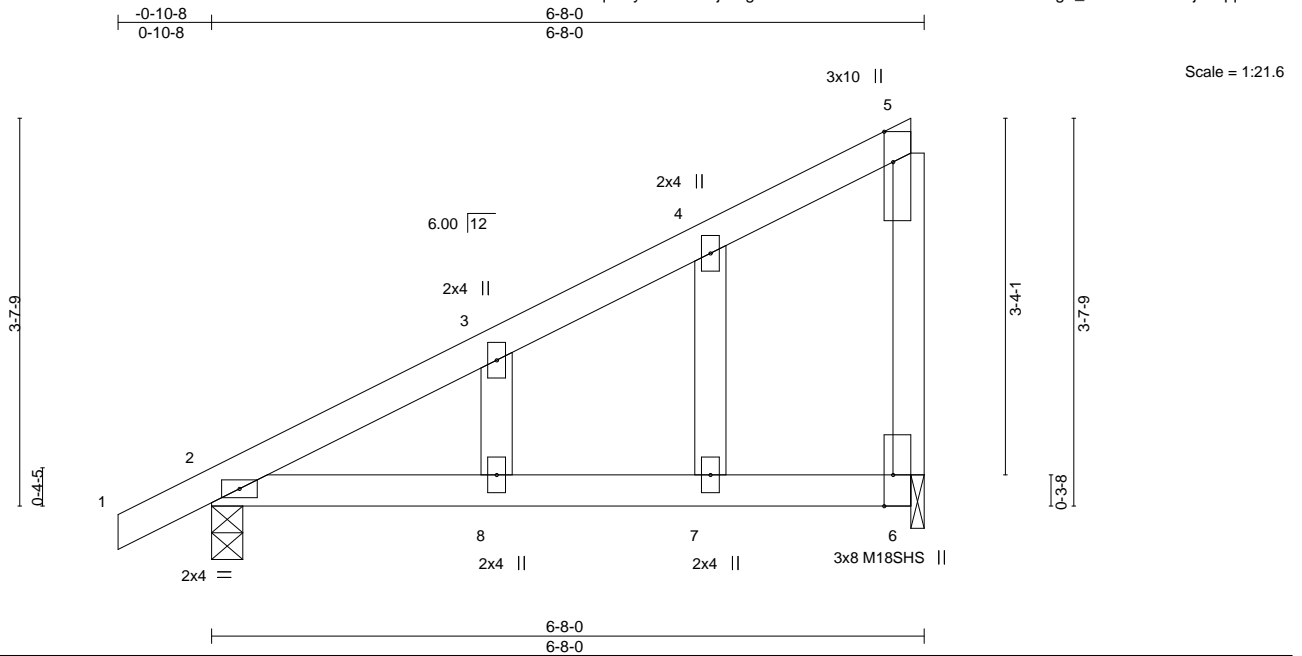


Plate Offsets (X,Y)--	[5:0-3-7,Edge], [6:0-3-8,Edge]				
LOADING (psf)	SPACING- 2-0-0	CSI.	DEFL. in (loc) l/defl L/d	PLATES	GRIP
TCLL 20.0	Plate Grip DOL 1.15	TC 0.50	Vert(LL) -0.06 7-8 >999 360	MT20	244/190
TCDL 10.0	Lumber DOL 1.15	BC 0.31	Vert(CT) -0.12 7-8 >649 240	M18SHS	244/190
BCLL 0.0 *	Rep Stress Incr YES	WB 0.05	Horz(CT) -0.00 6 n/a n/a	Weight: 32 lb	FT = 20%
BCDL 10.0	Code IRC2015/TPI2014	Matrix-S	Wind(LL) 0.13 7-8 >592 240		

LUMBER-	BRACING-
TOP CHORD 2x4 SP No.1	TOP CHORD Structural wood sheathing directly applied or 6-0-0 oc purlins, except end verticals.
BOT CHORD 2x4 SP No.1	BOT CHORD Rigid ceiling directly applied or 10-0-0 oc bracing.
WEBS 2x4 SP No.3	
OTHERS 2x4 SP No.3	

REACTIONS. (lb/size) 2=321/0-3-8, 6=247/0-1-8
 Max Horz 2=169(LC 10)
 Max Uplift 2=-71(LC 10), 6=-114(LC 10)

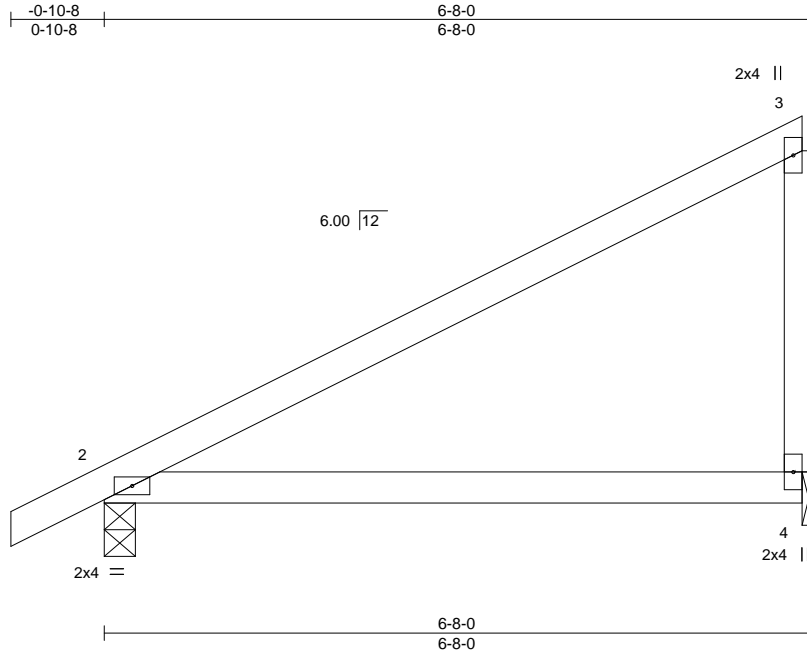
FORCES. (lb) - Max. Comp./Max. Ten. - All forces 250 (lb) or less except when shown.

- NOTES-**
- 1) Wind: ASCE 7-10; Vult=130mph (3-second gust) Vasd=103mph; TC DL=6.0psf; BCDL=5.0psf; h=15ft; Cat. II; Exp C; enclosed; MWFRS (envelope) gable end zone and C-C Corner(3) zone; C-C for members and forces & MWFRS for reactions shown; Lumber DOL=1.60 plate grip DOL=1.60
 - 2) Truss designed for wind loads in the plane of the truss only. For studs exposed to wind (normal to the face), see Standard Industry Gable End Details as applicable, or consult qualified building designer as per ANSI/TPI 1.
 - 3) All plates are MT20 plates unless otherwise indicated.
 - 4) Gable studs spaced at 2-0-0 oc.
 - 5) This truss has been designed for a 10.0 psf bottom chord live load nonconcurrent with any other live loads.
 - 6) * This truss has been designed for a live load of 30.0psf on the bottom chord in all areas with a clearance greater than 6-0-0 between the bottom chord and any other members.
 - 7) Bearing at joint(s) 6 considers parallel to grain value using ANSI/TPI 1 angle to grain formula. Building designer should verify capacity of bearing surface.
 - 8) Provide mechanical connection (by others) of truss to bearing plate at joint(s) 6.
 - 9) Provide mechanical connection (by others) of truss to bearing plate capable of withstanding 100 lb uplift at joint(s) 2 except (jt=lb) 6=114.



January 28, 2019

Job B0119-0443	Truss M2	Truss Type GABLE	Qty 2	Ply 1	Prelude C	E12642195
Comtech, Inc., Fayetteville, NC 28309					8.130 s Mar 11 2018 MiTek Industries, Inc. Mon Jan 28 12:40:18 2019 Page 1	
					ID:qBVty8JxTR2c0jvIHgLUvLzeJa3-RDL9NGE3xS5EoB1AkLYAGtn8pXM71GG_fvHqmqzq1h	



Scale = 1:21.6

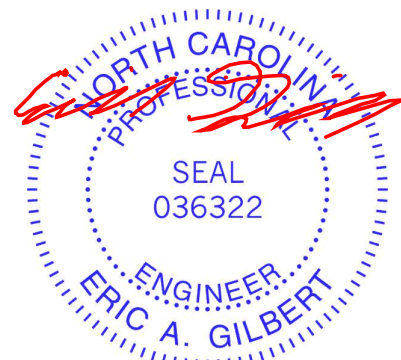
LOADING (psf)	SPACING-	2-0-0	CSI.	DEFL.	in (loc)	l/defl	L/d	PLATES	GRIP	
TCLL 20.0	Plate Grip DOL	1.15	TC 0.57	Vert(LL)	-0.09	2-4	>883	360	MT20	244/190
TCDL 10.0	Lumber DOL	1.15	BC 0.41	Vert(CT)	-0.17	2-4	>441	240		
BCLL 0.0 *	Rep Stress Incr	YES	WB 0.00	Horz(CT)	0.00	4	n/a	n/a		
BCDL 10.0	Code	IRC2015/TPI2014	Matrix-P	Wind(LL)	0.19	2-4	>400	240	Weight: 27 lb	FT = 20%

LUMBER-	BRACING-
TOP CHORD 2x4 SP No.1	TOP CHORD Structural wood sheathing directly applied or 6-0-0 oc purlins, except end verticals.
BOT CHORD 2x4 SP No.1	BOT CHORD Rigid ceiling directly applied or 10-0-0 oc bracing.
WEBS 2x4 SP No.3	

REACTIONS. (lb/size) 2=321/0-3-8, 4=247/0-1-8
 Max Horz 2=117(LC 10)
 Max Uplift 2=-41(LC 6), 4=-59(LC 10)

FORCES. (lb) - Max. Comp./Max. Ten. - All forces 250 (lb) or less except when shown.

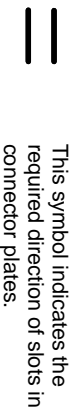
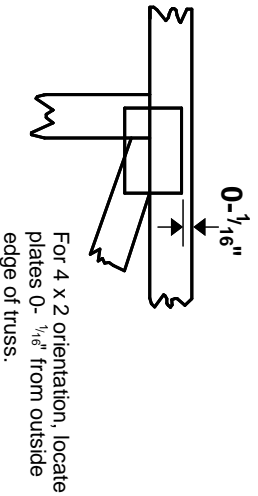
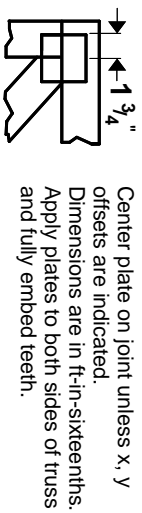
- NOTES-**
- 1) Wind: ASCE 7-10; Vult=130mph (3-second gust) Vasd=103mph; TCCL=6.0psf; BCDL=5.0psf; h=15ft; Cat. II; Exp C; enclosed; MWFRS (envelope) and C-C Exterior(2) zone; porch left exposed;C-C for members and forces & MWFRS for reactions shown; Lumber DOL=1.60 plate grip DOL=1.60
 - 2) Truss designed for wind loads in the plane of the truss only. For studs exposed to wind (normal to the face), see Standard Industry Gable End Details as applicable, or consult qualified building designer as per ANSI/TPI 1.
 - 3) Gable studs spaced at 2-0-0 oc.
 - 4) This truss has been designed for a 10.0 psf bottom chord live load nonconcurrent with any other live loads.
 - 5) * This truss has been designed for a live load of 30.0psf on the bottom chord in all areas with a clearance greater than 6-0-0 between the bottom chord and any other members.
 - 6) Bearing at joint(s) 4 considers parallel to grain value using ANSI/TPI 1 angle to grain formula. Building designer should verify capacity of bearing surface.
 - 7) Provide mechanical connection (by others) of truss to bearing plate at joint(s) 4.
 - 8) Provide mechanical connection (by others) of truss to bearing plate capable of withstanding 100 lb uplift at joint(s) 2, 4.



January 28, 2019

Symbols

PLATE LOCATION AND ORIENTATION



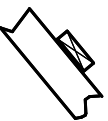
* Plate location details available in **MITrak 20/20 software or upon request.**

PLATE SIZE

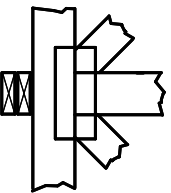
4 X 4

The first dimension is the plate width measured perpendicular to slots. Second dimension is the length parallel to slots.

LATERAL BRACING LOCATION



BEARING

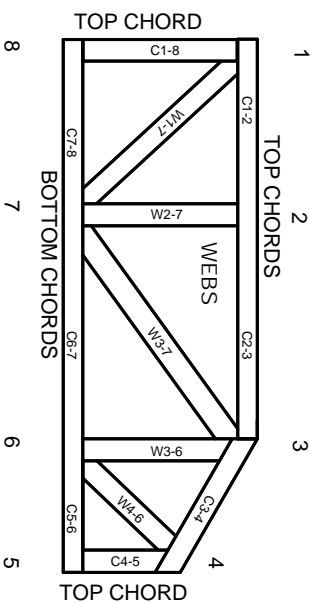


Indicates location where bearings (supports) occur. Icons vary but reaction section indicates joint number where bearings occur. Min size shown is for crushing only.

Industry Standards:

ANSI/TPI 1: National Design Specification for Metal Plate Connected Wood Truss Construction.
 DSB-89: Design Standard for Bracing.
 BCSI: Building Component Safety Information, Guide to Good Practice for Handling, Installing & Bracing of Metal Plate Connected Wood Trusses.

Numbering System



JOINTS ARE GENERALLY NUMBERED/LETTERED CLOCKWISE AROUND THE TRUSS STARTING AT THE JOINT FARTHEST TO THE LEFT.

CHORDS AND WEBS ARE IDENTIFIED BY END JOINT NUMBERS/LETTERS.

PRODUCT CODE APPROVALS

ICC-ES Reports:

ESR-1311, ESR-1352, ESR1988
 ER-3907, ESR-2362, ESR-1397, ESR-3282

Trusses are designed for wind loads in the plane of the truss unless otherwise shown.

Lumber design values are in accordance with ANSI/TPI 1 section 6.3 These truss designs rely on lumber values established by others.

© 2012 MITTEK® All Rights Reserved



MITek Engineering Reference Sheet: MII-7473 rev. 10/03/2015



General Safety Notes

Failure to Follow Could Cause Property Damage or Personal Injury

1. Additional stability bracing for truss system, e.g. diagonal or X-bracing, is always required. See BCSI.
2. Truss bracing must be designed by an engineer. For wide truss spacing, individual lateral braces themselves may require bracing, or alternative Tor I bracing should be considered.
3. Never exceed the design loading shown and never stack materials on inadequately braced trusses.
4. Provide copies of this truss design to the building designer, erection supervisor, property owner and all other interested parties.
5. Cut members to bear tightly against each other.
6. Place plates on each face of truss at each joint and embed fully. Knots and wane at joint locations are regulated by ANSI/TPI 1.
7. Design assumes trusses will be suitably protected from the environment in accord with ANSI/TPI 1.
8. Unless otherwise noted, moisture content of lumber shall not exceed 19% at time of fabrication.
9. Unless expressly noted, this design is not applicable for use with fire retardant, preservative treated, or green lumber.
10. Camber is a non-structural consideration and is the responsibility of truss fabricator. General practice is to camber for dead load deflection.
11. Plate type, size, orientation and location dimensions indicated are minimum plating requirements.
12. Lumber used shall be of the species and size, and in all respects, equal to or better than that specified.
13. Top chords must be sheathed or purlins provided at spacing indicated on design.
14. Bottom chords require lateral bracing at 10 ft. spacing, or less, if no ceiling is installed, unless otherwise noted.
15. Connections not shown are the responsibility of others.
16. Do not cut or alter truss member or plate without prior approval of an engineer.
17. Install and load vertically unless indicated otherwise.
18. Use of green or treated lumber may pose unacceptable environmental, health or performance risks. Consult with project engineer before use.
19. Review all portions of this design (front, back, words and pictures) before use. Reviewing pictures alone is not sufficient.
20. Design assumes manufacture in accordance with ANSI/TPI 1 Quality Criteria.