

RE: 148.1869
 148.1869.B.CVS

Trenco
 818 Soundside Rd
 Edenton, NC 27932

General Truss Engineering Criteria & Design Loads (Individual Truss Design Drawings Show Special Loading Conditions):

Design Code: IRC2015/TPI2014
 Wind Code: ASCE 7-10
 Roof Load: 40.0 psf

Design Program: MiTek 20/20 8.2
 Wind Speed: 130 mph
 Floor Load: N/A psf

This package includes 27 individual, dated Truss Design Drawings and 0 Additional Drawings.

No.	Seal#	Truss Name	Date	No.	Seal#	Truss Name	Date
1	I37519365	ae	6/21/2019	27	I37519391	v10	6/21/2019
2	I37519366	ag	6/21/2019				
3	I37519367	be	6/21/2019				
4	I37519368	bg	6/21/2019				
5	I37519369	c1	6/21/2019				
6	I37519370	ce	6/21/2019				
7	I37519371	cg	6/21/2019				
8	I37519372	r1	6/21/2019				
9	I37519373	re	6/21/2019				
10	I37519374	t1	6/21/2019				
11	I37519375	t1e	6/21/2019				
12	I37519376	t2	6/21/2019				
13	I37519377	t2a	6/21/2019				
14	I37519378	t2e	6/21/2019				
15	I37519379	t3	6/21/2019				
16	I37519380	t4	6/21/2019				
17	I37519381	t5	6/21/2019				
18	I37519382	v1	6/21/2019				
19	I37519383	v2	6/21/2019				
20	I37519384	v3	6/21/2019				
21	I37519385	v4	6/21/2019				
22	I37519386	v5	6/21/2019				
23	I37519387	v6	6/21/2019				
24	I37519388	v7	6/21/2019				
25	I37519389	v8	6/21/2019				
26	I37519390	v9	6/21/2019				

The truss drawing(s) referenced above have been prepared by Truss Engineering Co. under my direct supervision based on the parameters provided by 84 Components - #2383. Truss Design Engineer's Name: Galinski, John My license renewal date for the state of North Carolina is December 31, 2019. North Carolina COA: C-0844



IMPORTANT NOTE: The seal on these truss component designs is a certification that the engineer named is licensed in the jurisdiction(s) identified and that the designs comply with ANSI/TPI 1. These designs are based upon parameters shown (e.g., loads, supports, dimensions, shapes and design codes), which were given to TRENCO. Any project specific information included is for TRENCO customers file reference purpose only, and was not taken into account in the preparation of these designs. TRENCO has not independently verified the applicability of the design parameters or the designs for any particular building. Before use, the building designer should verify applicability of design parameters and properly incorporate these designs into the overall building design per ANSI/TPI 1, Chapter 2.

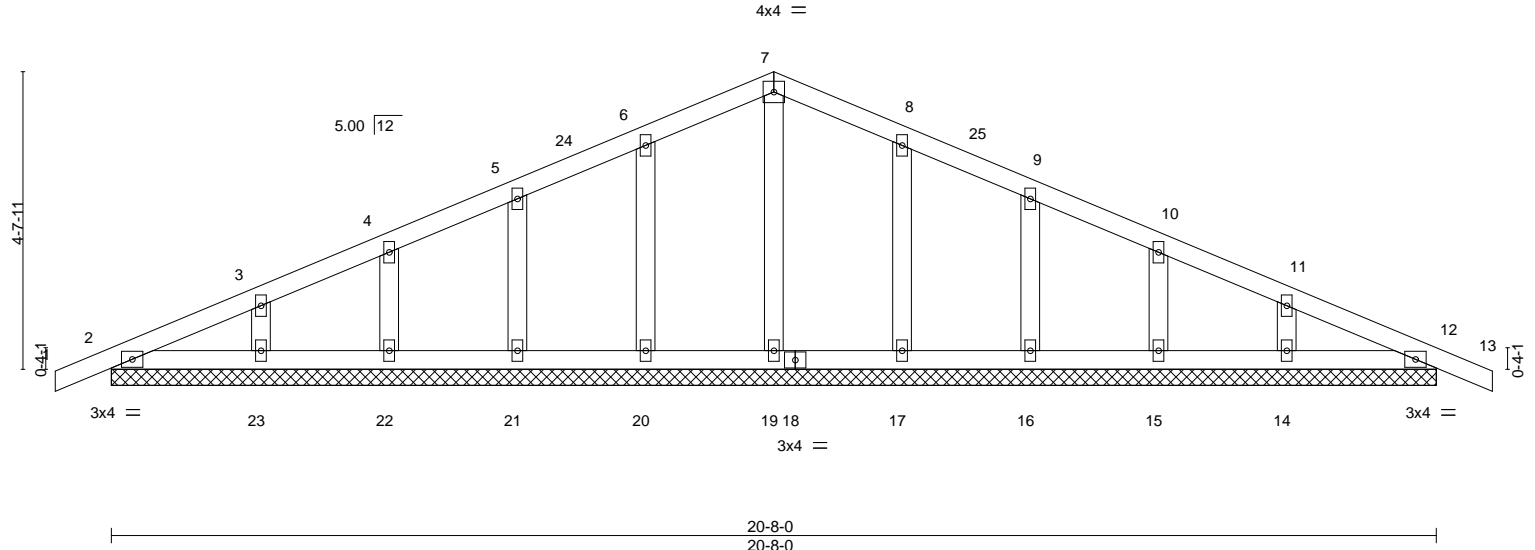
June 21, 2019

Job 148.1869	Truss AE	Truss Type Common Supported Gable	Qty 1	Ply 1	148.1869.B.CVS	137519365
84 Components (Dunn), Dunn, NC - 28334,					8.220 s Nov 16 2018 MiTek Industries, Inc. Fri Jun 21 06:20:13 2019 Page 1	
					Job Reference (optional)	

ID:0ckUA53Thu5GUjfQqCaouPyZBFs-lcp7UqVon9o5dsGu6oAsLaoOTXT0PA7dl1RIWDz48cG



Scale = 1:35.9



LOADING (psf)	SPACING-	2-0-0	CSI.	DEFL.	in (loc)	l/defl	L/d	PLATES	GRIP	
TCLL 20.0	Plate Grip DOL	1.15	TC 0.05	Vert(LL)	-0.00	12	n/r	120	MT20	244/190
TCDL 10.0	Lumber DOL	1.15	BC 0.04	Vert(CT)	0.00	12	n/r	120		
BCLL 0.0 *	Rep Stress Incr	YES	WB 0.04	Horz(CT)	0.00	12	n/a	n/a		
BCDL 10.0	Code IRC2015/TPI2014		Matrix-S						Weight: 97 lb	FT = 20%

LUMBER-
 TOP CHORD 2x4 SP No.2
 BOT CHORD 2x4 SP No.2
 OTHERS 2x4 SP No.3

BRACING-
 TOP CHORD Structural wood sheathing directly applied or 6-0-0 oc purlins.
 BOT CHORD Rigid ceiling directly applied or 10-0-0 oc bracing.

REACTIONS. All bearings 20-8-0.
 (lb) - Max Horz 2=-78(LC 13)
 Max Uplift All uplift 100 lb or less at joint(s) 2, 20, 21, 22, 23, 17, 16, 15, 14, 12
 Max Grav All reactions 250 lb or less at joint(s) 2, 19, 20, 21, 22, 23, 17, 16, 15, 14, 12

FORCES. (lb) - Max. Comp./Max. Ten. - All forces 250 (lb) or less except when shown.

NOTES-

- 1) Unbalanced roof live loads have been considered for this design.
- 2) Wind: ASCE 7-10; Vult=130mph (3-second gust) Vasd=103mph; TCCL=6.0psf; BCDL=6.0psf; h=25ft; Cat. II; Exp B; Enclosed; MWFRS (envelope) gable end zone and C-C Corner(3) 0-10-8 to 2-4-0, Exterior(2) 2-4-0 to 10-4-0, Corner(3) 10-4-0 to 13-4-0, Exterior(2) 13-4-0 to 21-6-8 zone; C-C for members and forces & MWFRS for reactions shown; Lumber DOL=1.60 plate grip DOL=1.60
- 3) Truss designed for wind loads in the plane of the truss only. For studs exposed to wind (normal to the face), see Standard Industry Gable End Details as applicable, or consult qualified building designer as per ANSI/TPI 1.
- 4) All plates are 2x4 MT20 unless otherwise indicated.
- 5) Gable requires continuous bottom chord bearing.
- 6) Gable studs spaced at 2-0-0 oc.
- 7) This truss has been designed for a 10.0 psf bottom chord live load nonconcurrent with any other live loads.
- 8) * This truss has been designed for a live load of 20.0psf on the bottom chord in all areas where a rectangle 3-6-0 tall by 2-0-0 wide will fit between the bottom chord and any other members.
- 9) Provide mechanical connection (by others) of truss to bearing plate capable of withstanding 100 lb uplift at joint(s) 2, 20, 21, 22, 23, 17, 16, 15, 14, 12.



June 21, 2019

WARNING - Verify design parameters and READ NOTES ON THIS AND INCLUDED MITEK REFERENCE PAGE MII-7473 rev. 10/03/2015 BEFORE USE.

Design valid for use only with MiTek® connectors. This design is based only upon parameters shown, and is for an individual building component, not a truss system. Before use, the building designer must verify the applicability of design parameters and properly incorporate this design into the overall building design. Bracing indicated is to prevent buckling of individual truss web and/or chord members only. Additional temporary and permanent bracing is always required for stability and to prevent collapse with possible personal injury and property damage. For general guidance regarding the fabrication, storage, delivery, erection and bracing of trusses and truss systems, see **ANSI/TPI1 Quality Criteria, DSB-89 and BCSI Building Component Safety Information** available from Truss Plate Institute, 218 N. Lee Street, Suite 312, Alexandria, VA 22314.



818 Soundside Road
 Edenton, NC 27932

Job 148.1869	Truss AG	Truss Type Common Girder	Qty 1	Ply 3	148.1869.B.CVS	137519366
-----------------	-------------	-----------------------------	----------	----------	----------------	-----------

84 Components (Dunn), Dunn, NC - 28334,

8.220 s Nov 16 2018 MiTek Industries, Inc. Fri Jun 21 06:20:15 2019 Page 1

ID:0ckUA53Thu5GUjfQqCaouPyZBFs-E?xuvWWW3lm2os9QGDDCKQ?tVQK?FtsLwLwPb6z48cE

Job Reference (optional)



Scale = 1:34.0

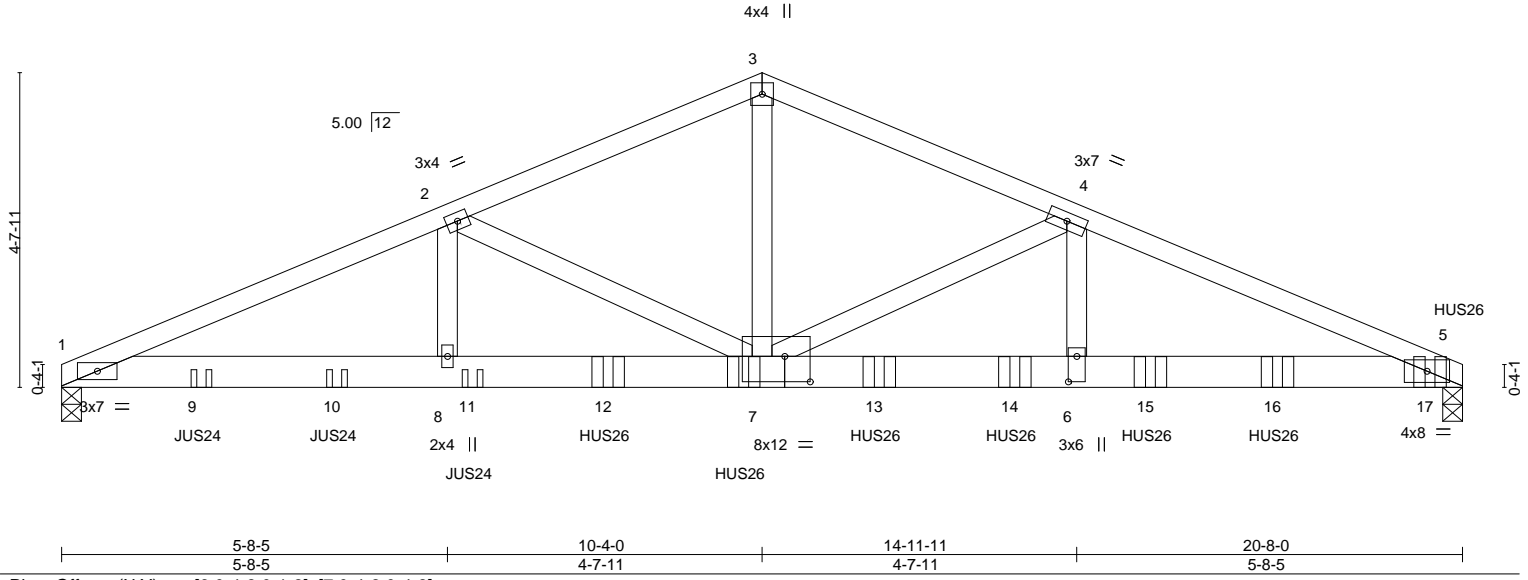


Plate Offsets (X,Y)-- [6:0-4-8,0-1-8], [7:0-4-8,0-4-8]

LOADING (psf)	SPACING-	2-0-0	CSI.	DEFL.	in (loc)	l/defl	L/d	PLATES	GRIP
TCLL 20.0	Plate Grip DOL	1.15	TC 0.99	Vert(LL)	-0.15	6-7	>999	MT20	244/190
TCDL 10.0	Lumber DOL	1.15	BC 0.69	Vert(CT)	-0.28	6-7	>859		
BCLL 0.0 *	Rep Stress Incr	NO	WB 0.95	Horz(CT)	0.06	5	n/a		
BCDL 10.0	Code IRC2015/TPI2014		Matrix-S						
								Weight: 324 lb	FT = 20%

LUMBER-

TOP CHORD 2x4 SP No.2
BOT CHORD 2x6 SP DSS
WEBS 2x4 SP No.3

BRACING-

TOP CHORD Structural wood sheathing directly applied or 4-4-1 oc purlins.
BOT CHORD Rigid ceiling directly applied or 10-0-0 oc bracing.

REACTIONS.

(lb/size) 1=5071/0-3-8, 5=7927/0-3-8
Max Horz 1=-71(LC 13)
Max Uplift 1=-807(LC 8), 5=-1127(LC 9)

FORCES. (lb) - Max. Comp./Max. Ten. - All forces 250 (lb) or less except when shown.

TOP CHORD 1-2=-11615/1781, 2-3=-9429/1380, 3-4=-9428/1380, 4-5=-14434/2062
BOT CHORD 1-8=-1660/10668, 7-8=-1660/10668, 6-7=-1849/13276, 5-6=-1849/13276
WEBS 3-7=-973/6918, 4-7=-5180/814, 4-6=-480/3989, 2-7=-2264/523, 2-8=-242/1569

NOTES-

- 3-ply truss to be connected together with 10d (0.131"x3") nails as follows:
Top chords connected as follows: 2x4 - 1 row at 0-7-0 oc.
Bottom chords connected as follows: 2x6 - 2 rows staggered at 0-4-0 oc.
Webs connected as follows: 2x4 - 1 row at 0-9-0 oc.
- All loads are considered equally applied to all plies, except if noted as front (F) or back (B) face in the LOAD CASE(S) section. Ply to ply connections have been provided to distribute only loads noted as (F) or (B), unless otherwise indicated.
- Unbalanced roof live loads have been considered for this design.
- Wind: ASCE 7-10; Vult=130mph (3-second gust) Vasd=103mph; TCCL=6.0psf; BCDL=6.0psf; h=25ft; Cat. II; Exp B; Enclosed; MWFRS (envelope) gable end zone; Lumber DOL=1.60 plate grip DOL=1.60
- This truss has been designed for a 10.0 psf bottom chord live load nonconcurrent with any other live loads.
- * This truss has been designed for a live load of 20.0psf on the bottom chord in all areas where a rectangle 3-6-0 tall by 2-0-0 wide will fit between the bottom chord and any other members.
- Provide mechanical connection (by others) of truss to bearing plate capable of withstanding 100 lb uplift at joint(s) except (jt=lb) 1=807, 5=1127.
- Use USP JUS24 (With 10d nails into Girder & 10d nails into Truss) or equivalent spaced at 2-0-0 oc max. starting at 2-0-12 from the left end to 6-0-12 to connect truss(es) to back face of bottom chord.
- Use USP HUS26 (With 16d nails into Girder & 16d nails into Truss) or equivalent spaced at 2-3-0 oc max. starting at 8-0-12 from the left end to 20-2-4 to connect truss(es) to back face of bottom chord.
- Fill all nail holes where hanger is in contact with lumber.

LOAD CASE(S) Standard

- Dead + Roof Live (balanced): Lumber Increase=1.15, Plate Increase=1.15
Uniform Loads (plf)
Vert: 1-3=-60, 3-5=-60, 1-5=-20



June 21, 2019

Continued on page 2

WARNING - Verify design parameters and READ NOTES ON THIS AND INCLUDED MITEK REFERENCE PAGE MII-7473 rev. 10/03/2015 BEFORE USE.

Design valid for use only with MiTek® connectors. This design is based only upon parameters shown, and is for an individual building component, not a truss system. Before use, the building designer must verify the applicability of design parameters and properly incorporate this design into the overall building design. Bracing indicated is to prevent buckling of individual truss web and/or chord members only. Additional temporary and permanent bracing is always required for stability and to prevent collapse with possible personal injury and property damage. For general guidance regarding the fabrication, storage, delivery, erection and bracing of trusses and truss systems, see **ANSI/TPI1 Quality Criteria, DSB-89 and BCSI Building Component Safety Information** available from Truss Plate Institute, 218 N. Lee Street, Suite 312, Alexandria, VA 22314.



818 Soundside Road
Edenton, NC 27932

Job 148.1869	Truss AG	Truss Type Common Girder	Qty 1	Ply 3	148.1869.B.CVS Job Reference (optional)	I37519366
-----------------	-------------	-----------------------------	----------	-----------------	--	-----------

84 Components (Dunn), Dunn, NC - 28334,

8.220 s Nov 16 2018 MiTek Industries, Inc. Fri Jun 21 06:20:15 2019 Page 2
ID:0ckUA53Thu5GUjfQqCaouPyZBFs-E?xuvWW3lm2os9QGDDCKQ?tVQK?FtsLwLLwPb6z48cE

LOAD CASE(S) Standard

Concentrated Loads (lb)

Vert: 7=-1428(B) 9=-457(B) 10=-457(B) 11=-457(B) 12=-1428(B) 13=-1428(B) 14=-1427(B) 15=-1427(B) 16=-1427(B) 17=-1433(B)

WARNING - Verify design parameters and READ NOTES ON THIS AND INCLUDED MITEK REFERENCE PAGE MII-7473 rev. 10/03/2015 BEFORE USE.

Design valid for use only with MiTek® connectors. This design is based only upon parameters shown, and is for an individual building component, not a truss system. Before use, the building designer must verify the applicability of design parameters and properly incorporate this design into the overall building design. Bracing indicated is to prevent buckling of individual truss web and/or chord members only. Additional temporary and permanent bracing is always required for stability and to prevent collapse with possible personal injury and property damage. For general guidance regarding the fabrication, storage, delivery, erection and bracing of trusses and truss systems, see **ANSI/TP11 Quality Criteria, DSB-89 and BCSI Building Component Safety Information** available from Truss Plate Institute, 218 N. Lee Street, Suite 312, Alexandria, VA 22314.

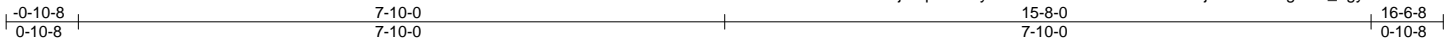


818 Soundside Road
Edenton, NC 27932

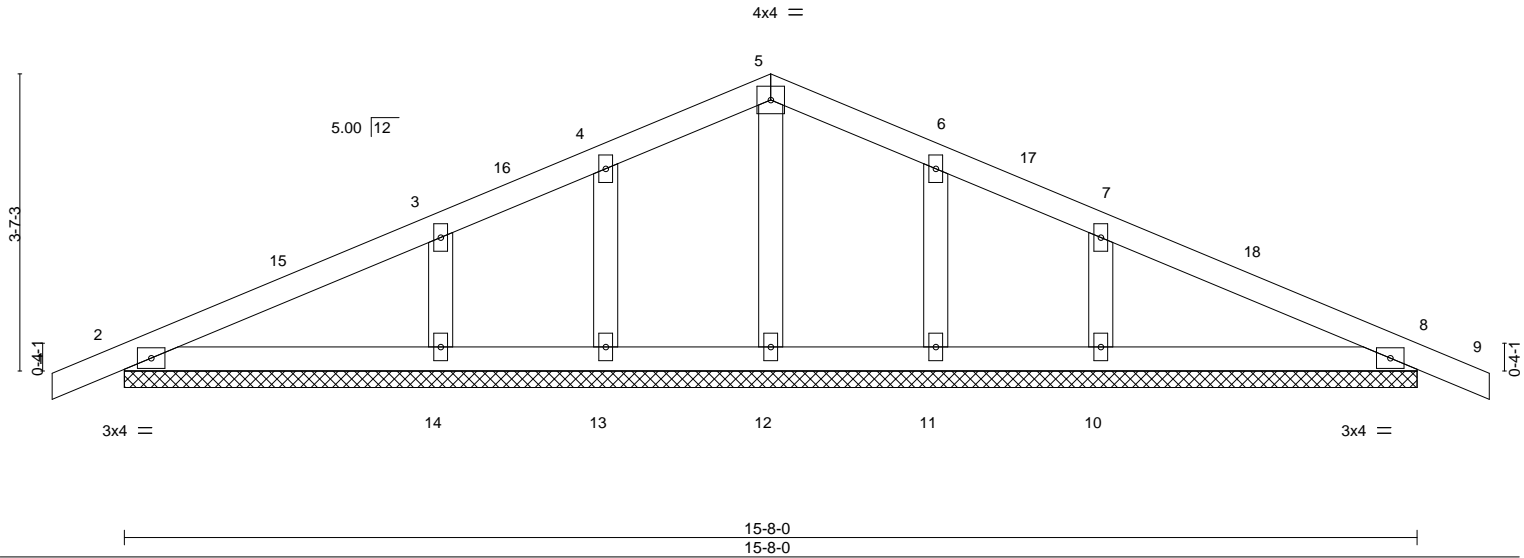
Job 148.1869	Truss BE	Truss Type Common Supported Gable	Qty 1	Ply 1	148.1869.B.CVS	137519367
-----------------	-------------	--------------------------------------	----------	----------	----------------	-----------

84 Components (Dunn), Dunn, NC - 28334,

8.220 s Nov 16 2018 MiTek Industries, Inc. Fri Jun 21 06:20:16 2019 Page 1
ID:0ckUA53Thu5GUjfqQCaouPyZBFs-iBVG7sXh34AfUJ?SnxjZzDQt5kUgcXl4_?gy7Yz48cD



Scale = 1:27.9



LOADING (psf)	SPACING-	2-0-0	CSI.	DEFL.	in (loc)	l/defl	L/d	PLATES	GRIP	
TCLL 20.0	Plate Grip DOL	1.15	TC 0.16	Vert(LL)	0.00	9	n/r	120	MT20	244/190
TCDL 10.0	Lumber DOL	1.15	BC 0.11	Vert(CT)	0.01	9	n/r	120		
BCLL 0.0 *	Rep Stress Incr	YES	WB 0.05	Horz(CT)	0.00	8	n/a	n/a		
BCDL 10.0	Code IRC2015/TPI2014		Matrix-S						Weight: 67 lb	FT = 20%

LUMBER-
TOP CHORD 2x4 SP No.2
BOT CHORD 2x4 SP No.2
OTHERS 2x4 SP No.3

BRACING-
TOP CHORD Structural wood sheathing directly applied or 6-0-0 oc purlins.
BOT CHORD Rigid ceiling directly applied or 10-0-0 oc bracing.

REACTIONS. All bearings 15-8-0.
(lb) - Max Horz 2=61(LC 16)
Max Uplift All uplift 100 lb or less at joint(s) 2, 8, 13, 14, 11, 10
Max Grav All reactions 250 lb or less at joint(s) 2, 8, 12, 13, 11 except 14=299(LC 1), 10=299(LC 1)

FORCES. (lb) - Max. Comp./Max. Ten. - All forces 250 (lb) or less except when shown.

NOTES-

- 1) Unbalanced roof live loads have been considered for this design.
- 2) Wind: ASCE 7-10; Vult=130mph (3-second gust) Vasd=103mph; TCCL=6.0psf; BCDL=6.0psf; h=25ft; Cat. II; Exp B; Enclosed; MWFRS (envelope) gable end zone and C-C Corner(3) -0-10-8 to 2-1-8, Exterior(2) 2-1-8 to 7-10-0, Corner(3) 7-10-0 to 10-10-0, Exterior(2) 10-10-0 to 16-6-8 zone;C-C for members and forces & MWFRS for reactions shown; Lumber DOL=1.60 plate grip DOL=1.60
- 3) Truss designed for wind loads in the plane of the truss only. For studs exposed to wind (normal to the face), see Standard Industry Gable End Details as applicable, or consult qualified building designer as per ANSI/TPI 1.
- 4) All plates are 2x4 MT20 unless otherwise indicated.
- 5) Gable requires continuous bottom chord bearing.
- 6) Gable studs spaced at 2-0-0 oc.
- 7) This truss has been designed for a 10.0 psf bottom chord live load nonconcurrent with any other live loads.
- 8) * This truss has been designed for a live load of 20.0psf on the bottom chord in all areas where a rectangle 3-6-0 tall by 2-0-0 wide will fit between the bottom chord and any other members.
- 9) Provide mechanical connection (by others) of truss to bearing plate capable of withstanding 100 lb uplift at joint(s) 2, 8, 13, 14, 11, 10.
- 10) Beveled plate or shim required to provide full bearing surface with truss chord at joint(s) 2, 8.



June 21, 2019

WARNING - Verify design parameters and READ NOTES ON THIS AND INCLUDED MITEK REFERENCE PAGE MII-7473 rev. 10/03/2015 BEFORE USE.

Design valid for use only with MiTek® connectors. This design is based only upon parameters shown, and is for an individual building component, not a truss system. Before use, the building designer must verify the applicability of design parameters and properly incorporate this design into the overall building design. Bracing indicated is to prevent buckling of individual truss web and/or chord members only. Additional temporary and permanent bracing is always required for stability and to prevent collapse with possible personal injury and property damage. For general guidance regarding the fabrication, storage, delivery, erection and bracing of trusses and truss systems, see **ANSI/TPI1 Quality Criteria, DSB-89 and BCSI Building Component Safety Information** available from Truss Plate Institute, 218 N. Lee Street, Suite 312, Alexandria, VA 22314.



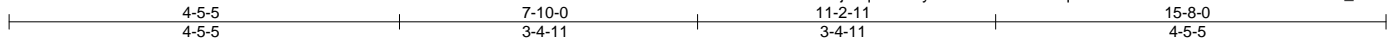
818 Soundside Road
Edenton, NC 27932

Job 148.1869	Truss BG	Truss Type Common Girder	Qty 1	Ply 3	148.1869.B.CVS	137519368
-----------------	-------------	-----------------------------	----------	----------	----------------	-----------

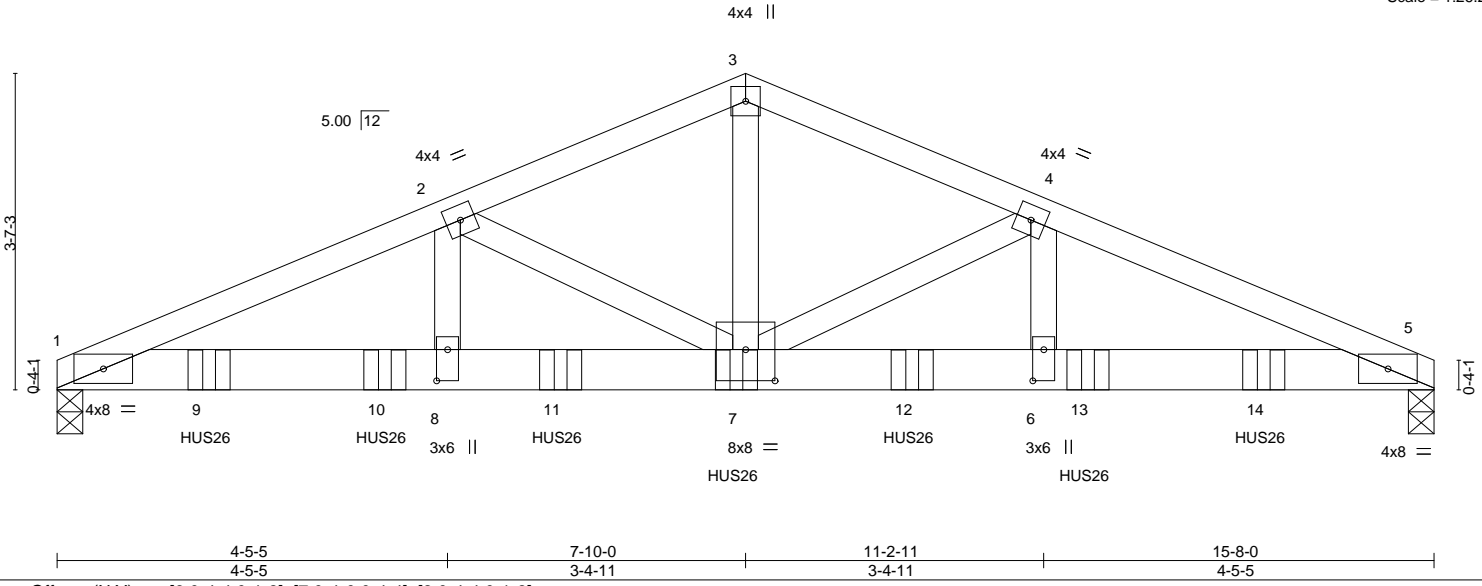
84 Components (Dunn), Dunn, NC - 28334,

8.220 s Nov 16 2018 MiTek Industries, Inc. Fri Jun 21 06:20:17 2019 Page 1

ID:0ckUA53Thu5GUjQqCaouPyZBFs-AN3eKCYJqNIW6TafLeEoWQzxm8hELISDDfPVf_z48cC



Scale = 1:26.2



LOADING (psf)	SPACING-	2-0-0	CSI.	DEFL.	in (loc)	l/defl	L/d	PLATES	GRIP
TCLL 20.0	Plate Grip DOL	1.15	TC 0.61	Vert(LL)	-0.11	6-7	>999	MT20	244/190
TCDL 10.0	Lumber DOL	1.15	BC 0.60	Vert(CT)	-0.21	6-7	>863		
BCLL 0.0 *	Rep Stress Incr	NO	WB 0.98	Horz(CT)	0.05	5	n/a		
BCDL 10.0	Code IRC2015/TPI2014		Matrix-S						
								Weight: 243 lb	FT = 20%

LUMBER-
TOP CHORD 2x4 SP No.2
BOT CHORD 2x6 SP DSS
WEBS 2x4 SP No.3

BRACING-
TOP CHORD Structural wood sheathing directly applied or 5-4-1 oc purlins.
BOT CHORD Rigid ceiling directly applied or 10-0-0 oc bracing.

REACTIONS. (lb/size) 1=6664/0-3-8, 5=6525/0-3-8
Max Horz 1=-54(LC 32)
Max Uplift 1=-835(LC 8), 5=-818(LC 9)

FORCES. (lb) - Max. Comp./Max. Ten. - All forces 250 (lb) or less except when shown.
TOP CHORD 1-2=-13525/1685, 2-3=-9615/1209, 3-4=-9614/1209, 4-5=-13555/1689
BOT CHORD 1-8=-1565/12437, 7-8=-1565/12437, 6-7=-1516/12464, 5-6=-1516/12464
WEBS 3-7=-859/7087, 4-7=-4093/582, 4-6=-353/3271, 2-7=-4063/577, 2-8=-350/3241

- NOTES-**
- 3-ply truss to be connected together with 10d (0.131"x3") nails as follows:
Top chords connected as follows: 2x4 - 1 row at 0-7-0 oc.
Bottom chords connected as follows: 2x6 - 3 rows staggered at 0-5-0 oc.
Webs connected as follows: 2x4 - 1 row at 0-9-0 oc.
 - All loads are considered equally applied to all plies, except if noted as front (F) or back (B) face in the LOAD CASE(S) section. Ply to ply connections have been provided to distribute only loads noted as (F) or (B), unless otherwise indicated.
 - Unbalanced roof live loads have been considered for this design.
 - Wind: ASCE 7-10; Vult=130mph (3-second gust) Vasd=103mph; TCCL=6.0psf; BCDL=6.0psf; h=25ft; Cat. II; Exp B; Enclosed; MWFRS (envelope) gable end zone; Lumber DOL=1.60 plate grip DOL=1.60
 - This truss has been designed for a 10.0 psf bottom chord live load nonconcurrent with any other live loads.
 - * This truss has been designed for a live load of 20.0psf on the bottom chord in all areas where a rectangle 3-6-0 tall by 2-0-0 wide will fit between the bottom chord and any other members.
 - Provide mechanical connection (by others) of truss to bearing plate capable of withstanding 100 lb uplift at joint(s) except (jt=lb) 1=835, 5=818.
 - Use USP HUS26 (With 16d nails into Girder & 16d nails into Truss) or equivalent spaced at 2-0-0 oc max. starting at 1-8-12 from the left end to 13-8-12 to connect truss(es) to back face of bottom chord.
 - Fill all nail holes where hanger is in contact with lumber.

LOAD CASE(S) Standard

- Dead + Roof Live (balanced): Lumber Increase=1.15, Plate Increase=1.15
Uniform Loads (plf)
Vert: 1-3=-60, 3-5=-60, 1-5=-20
Concentrated Loads (lb)
Vert: 7=-1708(B) 9=-1708(B) 10=-1708(B) 11=-1708(B) 12=-1708(B) 13=-1708(B) 14=-1708(B)



June 21, 2019

WARNING - Verify design parameters and READ NOTES ON THIS AND INCLUDED MITEK REFERENCE PAGE MII-7473 rev. 10/03/2015 BEFORE USE.

Design valid for use only with MiTek® connectors. This design is based only upon parameters shown, and is for an individual building component, not a truss system. Before use, the building designer must verify the applicability of design parameters and properly incorporate this design into the overall building design. Bracing indicated is to prevent buckling of individual truss web and/or chord members only. Additional temporary and permanent bracing is always required for stability and to prevent collapse with possible personal injury and property damage. For general guidance regarding the fabrication, storage, delivery, erection and bracing of trusses and truss systems, see **ANSI/TPI1 Quality Criteria, DSB-89 and BCSI Building Component Safety Information** available from Truss Plate Institute, 218 N. Lee Street, Suite 312, Alexandria, VA 22314.

TRENCO
ENGINEERING BY
A MiTek Affiliate

818 Soundside Road
Edenton, NC 27932

Job	Truss	Truss Type	Qty	Ply	148.1869.B.CVS	137519369
148.1869	C1	Common	3	1		

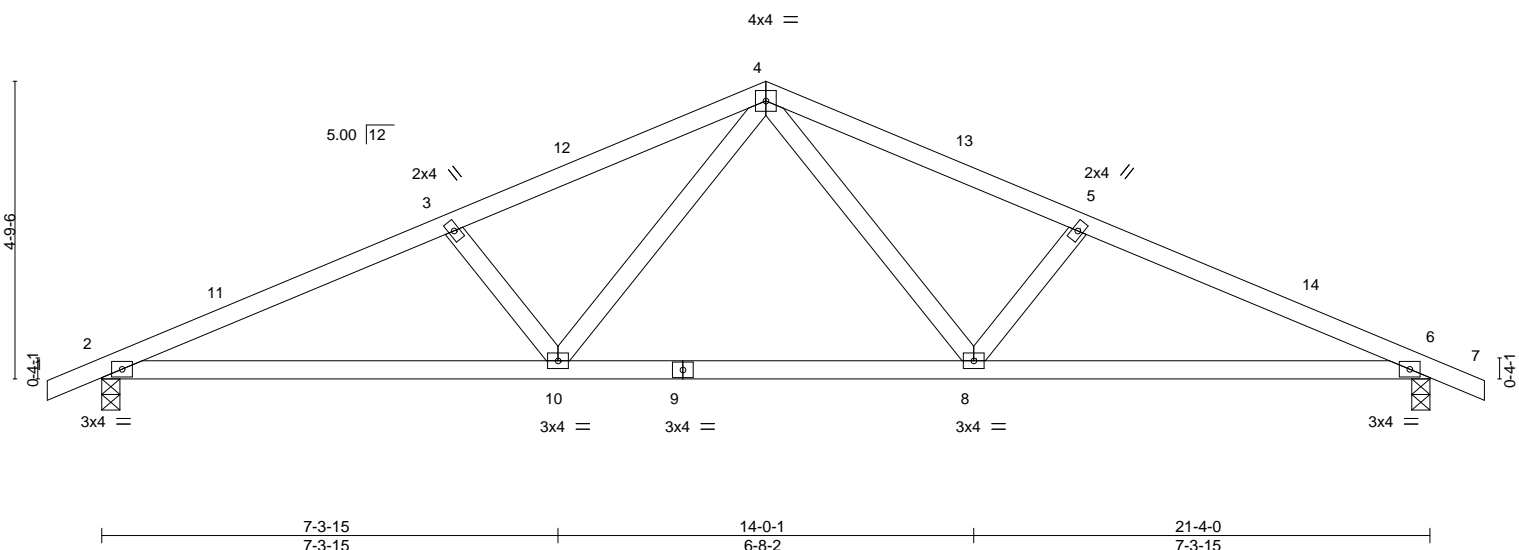
84 Components (Dunn), Dunn, NC - 28334,

8.220 s Nov 16 2018 MiTek Industries, Inc. Fri Jun 21 06:20:18 2019 Page 1

ID:0ckUA53Thu5GUjfqCaouPyZBFs-eZd0XYZxbhQNjd9ruL12eVA6Y194OfMRJ93BRz48cB



Scale = 1:37.0



LOADING (psf)	SPACING-	2-0-0	CSI.	DEFL.	in (loc)	l/defl	L/d	PLATES	GRIP	
TCLL 20.0	Plate Grip DOL	1.15	TC 0.38	Vert(LL)	-0.09	2-10	>999	240	MT20	244/190
TCDL 10.0	Lumber DOL	1.15	BC 0.62	Vert(CT)	-0.20	2-10	>999	180		
BCLL 0.0 *	Rep Stress Incr	YES	WB 0.21	Horz(CT)	0.05	6	n/a	n/a		
BCDL 10.0	Code IRC2015/TPI2014		Matrix-S							
									Weight: 93 lb	FT = 20%

LUMBER-
 TOP CHORD 2x4 SP No.2
 BOT CHORD 2x4 SP No.2
 WEBS 2x4 SP No.3

BRACING-
 TOP CHORD Structural wood sheathing directly applied or 4-1-0 oc purlins.
 BOT CHORD Rigid ceiling directly applied or 10-0-0 oc bracing.

REACTIONS. (lb/size) 2=903/0-3-8, 6=903/0-3-8
 Max Horz 2=80(LC 16)
 Max Uplift 2=-124(LC 12), 6=-124(LC 13)

FORCES. (lb) - Max. Comp./Max. Ten. - All forces 250 (lb) or less except when shown.
 TOP CHORD 2-3=-1670/216, 3-4=-1465/206, 4-5=-1465/206, 5-6=-1670/216
 BOT CHORD 2-10=-207/1482, 8-10=-49/990, 6-8=-144/1482
 WEBS 4-8=-79/516, 5-8=-328/184, 4-10=-79/516, 3-10=-328/184

- NOTES-**
- 1) Unbalanced roof live loads have been considered for this design.
 - 2) Wind: ASCE 7-10; Vult=130mph (3-second gust) Vasd=103mph; TCDL=6.0psf; BCDL=6.0psf; h=25ft; Cat. II; Exp B; Enclosed; MWFRS (envelope) gable end zone and C-C Exterior(2) -0-10-8 to 2-1-8, Interior(1) 2-1-8 to 10-8-0, Exterior(2) 10-8-0 to 13-8-0, Interior(1) 13-8-0 to 22-2-8 zone;C-C for members and forces & MWFRS for reactions shown; Lumber DOL=1.60 plate grip DOL=1.60
 - 3) This truss has been designed for a 10.0 psf bottom chord live load nonconcurrent with any other live loads.
 - 4) * This truss has been designed for a live load of 20.0psf on the bottom chord in all areas where a rectangle 3-6-0 tall by 2-0-0 wide will fit between the bottom chord and any other members.
 - 5) Provide mechanical connection (by others) of truss to bearing plate capable of withstanding 100 lb uplift at joint(s) except (jt=lb) 2=124.
 - 6) One RT7A USP connectors recommended to connect truss to bearing walls due to UPLIFT at jt(s) 6. This connection is for uplift only and does not consider lateral forces.



June 21, 2019

WARNING - Verify design parameters and READ NOTES ON THIS AND INCLUDED MITEK REFERENCE PAGE MII-7473 rev. 10/03/2015 BEFORE USE.

Design valid for use only with MiTek® connectors. This design is based only upon parameters shown, and is for an individual building component, not a truss system. Before use, the building designer must verify the applicability of design parameters and properly incorporate this design into the overall building design. Bracing indicated is to prevent buckling of individual truss web and/or chord members only. Additional temporary and permanent bracing is always required for stability and to prevent collapse with possible personal injury and property damage. For general guidance regarding the fabrication, storage, delivery, erection and bracing of trusses and truss systems, see **ANSI/TPI1 Quality Criteria, DSB-89 and BCSI Building Component Safety Information** available from Truss Plate Institute, 218 N. Lee Street, Suite 312, Alexandria, VA 22314.



818 Soundside Road
 Edenton, NC 27932

Job 148.1869	Truss CE	Truss Type COMMON SUPPORTED GAB	Qty 1	Ply 1	148.1869.B.CVS	137519370
84 Components (Dunn), Dunn, NC - 28334,					8.220 s Nov 16 2018 MiTek Industries, Inc. Fri Jun 21 06:20:19 2019 Page 1	
0-10-8 0-10-8					21-4-0 10-8-0	
10-8-0 10-8-0					22-2-8 0-10-8	

ID:0ckUA53Thu5GUjfQqCaouPyZBFs-6mBOLuZZM?YELnk1S3HGbr2PfxWGpuaWgzucktz48cA

Job Reference (optional)



Scale = 1:37.0

LOADING (psf)	SPACING-	2-0-0	CSI.	DEFL.	in (loc)	l/defl	L/d	PLATES	GRIP
TCLL 20.0	Plate Grip DOL	1.15	TC 0.07	Vert(LL)	0.00	12	n/r	MT20	244/190
TCDL 10.0	Lumber DOL	1.15	BC 0.05	Vert(CT)	0.00	13	n/r		
BCLL 0.0 *	Rep Stress Incr	YES	WB 0.04	Horz(CT)	0.00	12	n/a		
BCDL 10.0	Code IRC2015/TPI2014		Matrix-S						
								Weight: 101 lb	FT = 20%

LUMBER-
 TOP CHORD 2x4 SP No.2
 BOT CHORD 2x4 SP No.2
 OTHERS 2x4 SP No.3

BRACING-
 TOP CHORD Structural wood sheathing directly applied or 6-0-0 oc purlins.
 BOT CHORD Rigid ceiling directly applied or 10-0-0 oc bracing.

REACTIONS. All bearings 21-4-0.
 (lb) - Max Horz 2=80(LC 12)
 Max Uplift All uplift 100 lb or less at joint(s) 2, 20, 21, 22, 23, 17, 16, 15, 14, 12
 Max Grav All reactions 250 lb or less at joint(s) 2, 18, 20, 21, 22, 23, 17, 16, 15, 14, 12

FORCES. (lb) - Max. Comp./Max. Ten. - All forces 250 (lb) or less except when shown.

NOTES-

- 1) Unbalanced roof live loads have been considered for this design.
- 2) Wind: ASCE 7-10; Vult=130mph (3-second gust) Vasd=103mph; TCCL=6.0psf; BCCL=6.0psf; h=25ft; Cat. II; Exp B; Enclosed; MWFRS (envelope) gable end zone and C-C Corner(3) 0-10-8 to 2-1-8, Exterior(2) 2-1-8 to 10-8-0, Corner(3) 10-8-0 to 13-8-0, Exterior(2) 13-8-0 to 22-2-8 zone;C-C for members and forces & MWFRS for reactions shown; Lumber DOL=1.60 plate grip DOL=1.60
- 3) Truss designed for wind loads in the plane of the truss only. For studs exposed to wind (normal to the face), see Standard Industry Gable End Details as applicable, or consult qualified building designer as per ANSI/TPI 1.
- 4) All plates are 2x4 MT20 unless otherwise indicated.
- 5) Gable requires continuous bottom chord bearing.
- 6) Gable studs spaced at 2-0-0 oc.
- 7) This truss has been designed for a 10.0 psf bottom chord live load nonconcurrent with any other live loads.
- 8) * This truss has been designed for a live load of 20.0psf on the bottom chord in all areas where a rectangle 3-6-0 tall by 2-0-0 wide will fit between the bottom chord and any other members.
- 9) Provide mechanical connection (by others) of truss to bearing plate capable of withstanding 100 lb uplift at joint(s) 2, 20, 21, 22, 23, 17, 16, 15, 14, 12.



June 21, 2019

WARNING - Verify design parameters and READ NOTES ON THIS AND INCLUDED MITEK REFERENCE PAGE MII-7473 rev. 10/03/2015 BEFORE USE.

Design valid for use only with MiTek® connectors. This design is based only upon parameters shown, and is for an individual building component, not a truss system. Before use, the building designer must verify the applicability of design parameters and properly incorporate this design into the overall building design. Bracing indicated is to prevent buckling of individual truss web and/or chord members only. Additional temporary and permanent bracing is always required for stability and to prevent collapse with possible personal injury and property damage. For general guidance regarding the fabrication, storage, delivery, erection and bracing of trusses and truss systems, see **ANSI/TPI1 Quality Criteria, DSB-89 and BCSI Building Component Safety Information** available from Truss Plate Institute, 218 N. Lee Street, Suite 312, Alexandria, VA 22314.



818 Soundside Road
 Edenton, NC 27932

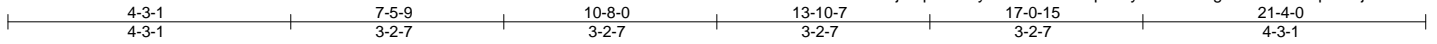
Job 148.1869	Truss CG	Truss Type COMMON GIRDER	Qty 1	Ply 3	148.1869.B.CVS	137519371
-----------------	-------------	-----------------------------	----------	----------	----------------	-----------

84 Components (Dunn), Dunn, NC - 28334,

8.220 s Nov 16 2018 MiTek Industries, Inc. Fri Jun 21 06:20:21 2019 Page 1

ID:OckUA53Thu5GUJfQqCaouPyZBFs-3819Aabpucoyb4tQaUJkgG7YBI3kHbsp8HNjolz48c8

Job Reference (optional)



Scale = 1:34.7

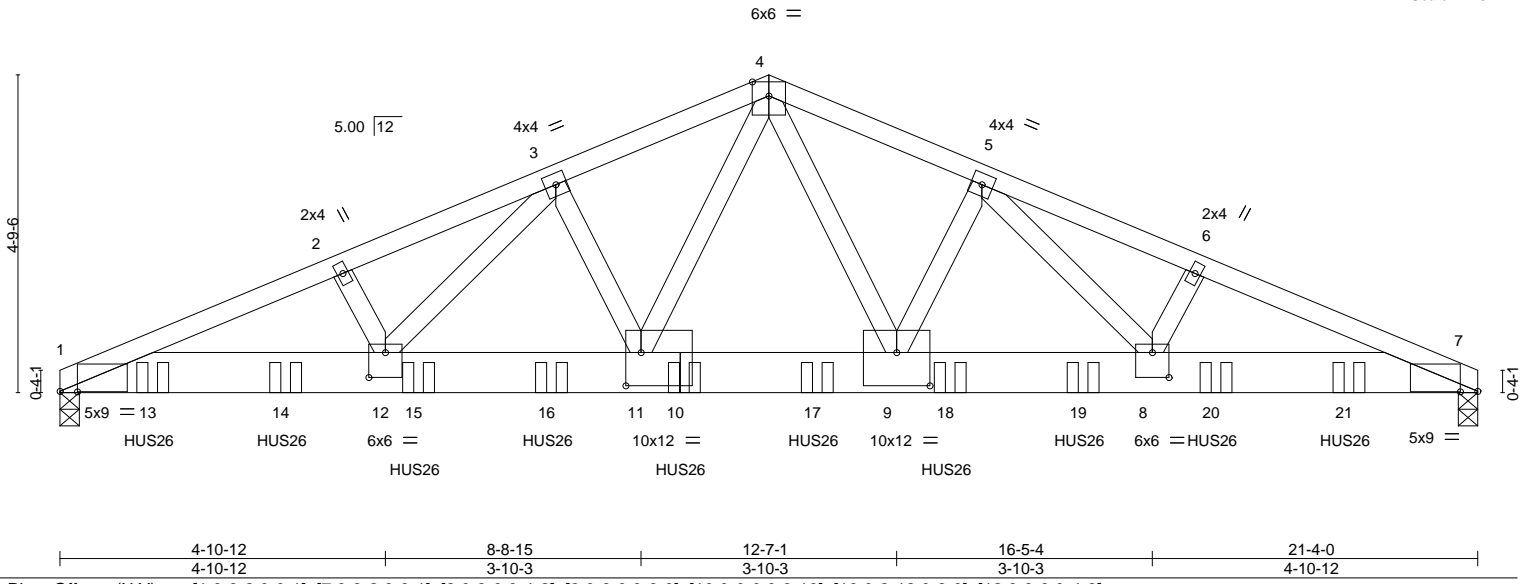


Plate Offsets (X, Y)-- [1:0-3-2,0-0-1], [7:0-3-2,0-0-1], [8:0-3-0,0-4-8], [9:0-6-0,0-6-0], [10:0-0-0,0-3-10], [10:0-2-12,0-6-0], [12:0-3-0,0-4-8]

LOADING (psf)	SPACING-	2-0-0	CSI.	DEFL.	in (loc)	l/defl	L/d	PLATES	GRIP
TCLL 20.0	Plate Grip DOL	1.15	TC 0.90	Vert(LL)	-0.20	9	>999	MT20	244/190
TCDL 10.0	Lumber DOL	1.15	BC 0.63	Vert(CT)	-0.39	9-11	>644		
BCLL 0.0 *	Rep Stress Incr	NO	WB 0.89	Horz(CT)	0.06	7	n/a		
BCDL 10.0	Code IRC2015/TPI2014		Matrix-S						
								Weight: 409 lb	FT = 20%

LUMBER-
TOP CHORD 2x4 SP No.2
BOT CHORD 2x8 SP DSS
WEBS 2x4 SP No.3

BRACING-
TOP CHORD Structural wood sheathing directly applied or 3-4-13 oc purlins.
BOT CHORD Rigid ceiling directly applied or 10-0-0 oc bracing.

REACTIONS. (lb/size) 1=8977/0-3-8, 7=9043/0-3-8
Max Horz 1=-72(LC 28)
Max Uplift 1=-1165(LC 8), 7=-1141(LC 9)

FORCES. (lb) - Max. Comp./Max. Ten. - All forces 250 (lb) or less except when shown.
TOP CHORD 1-2=-18536/2377, 2-3=-18438/2391, 3-4=-15282/1963, 4-5=-15389/1968,
5-6=-19024/2421, 6-7=-19122/2408
BOT CHORD 1-12=-2240/17156, 11-12=-1864/14780, 9-11=-1398/11567, 8-9=-1802/14975,
7-8=-2196/17699
WEBS 4-9=-840/6440, 5-9=-2014/340, 5-8=-520/3984, 6-8=-356/137, 4-11=-829/6197,
3-11=-1770/327, 3-12=-492/3452, 2-12=-355/137

NOTES-

- 3-ply truss to be connected together with 10d (0.131"x3") nails as follows:
Top chords connected as follows: 2x4 - 1 row at 0-7-0 oc.
Bottom chords connected as follows: 2x8 - 3 rows staggered at 0-4-0 oc.
Webs connected as follows: 2x4 - 1 row at 0-9-0 oc.
- All loads are considered equally applied to all plies, except if noted as front (F) or back (B) face in the LOAD CASE(S) section. Ply to ply connections have been provided to distribute only loads noted as (F) or (B), unless otherwise indicated.
- Unbalanced roof live loads have been considered for this design.
- Wind: ASCE 7-10; Vult=130mph (3-second gust) Vasd=103mph; TC DL=6.0psf; BCDL=6.0psf; h=25ft; Cat. II; Exp B; Enclosed; MWFRS (envelope) gable end zone; Lumber DOL=1.60 plate grip DOL=1.60
- This truss has been designed for a 10.0 psf bottom chord live load nonconcurrent with any other live loads.
- * This truss has been designed for a live load of 20.0psf on the bottom chord in all areas where a rectangle 3-6-0 tall by 2-0-0 wide will fit between the bottom chord and any other members.
- Provide mechanical connection (by others) of truss to bearing plate capable of withstanding 100 lb uplift at joint(s) except (jt=lb) 1=1165, 7=1141.
- Use USP HUS26 (With 16d nails into Girder & 16d nails into Truss) or equivalent spaced at 2-0-0 oc max. starting at 1-4-12 from the left end to 19-4-12 to connect truss(es) to front face of bottom chord.
- Fill all nail holes where hanger is in contact with lumber.

LOAD CASE(S) Standard
1) Dead + Roof Live (balanced): Lumber Increase=1.15, Plate Increase=1.15
Uniform Loads (plf)
Vert: 1-4=-60, 4-7=-60, 1-7=-20



June 21, 2019

Continued on page 2

WARNING - Verify design parameters and READ NOTES ON THIS AND INCLUDED MITEK REFERENCE PAGE MII-7473 rev. 10/03/2015 BEFORE USE.

Design valid for use only with MiTek® connectors. This design is based only upon parameters shown, and is for an individual building component, not a truss system. Before use, the building designer must verify the applicability of design parameters and properly incorporate this design into the overall building design. Bracing indicated is to prevent buckling of individual truss web and/or chord members only. Additional temporary and permanent bracing is always required for stability and to prevent collapse with possible personal injury and property damage. For general guidance regarding the fabrication, storage, delivery, erection and bracing of trusses and truss systems, see **ANSI/TPI1 Quality Criteria, DSB-89 and BCSI Building Component Safety Information** available from Truss Plate Institute, 218 N. Lee Street, Suite 312, Alexandria, VA 22314.

ENGINEERING BY
TRENCO
A MiTek Affiliate

818 Soundside Road
Edenton, NC 27932

Job 148.1869	Truss CG	Truss Type COMMON GIRDER	Qty 1	Ply 3	148.1869.B.CVS Job Reference (optional)	I37519371
-----------------	-------------	-----------------------------	----------	-----------------	--	-----------

84 Components (Dunn), Dunn, NC - 28334,

8.220 s Nov 16 2018 MiTek Industries, Inc. Fri Jun 21 06:20:21 2019 Page 2
ID:0ckUA53Thu5GUjfQqCaouPyZBFs-38I9Aabpucoyb4tQaUJkgG7YBI3kHbsp8HNjolz48c8

LOAD CASE(S) Standard

Concentrated Loads (lb)

Vert: 10=-1708(F) 13=-1459(F) 14=-1459(F) 15=-1459(F) 16=-1708(F) 17=-1708(F) 18=-1708(F) 19=-1708(F) 20=-1708(F) 21=-1708(F)

WARNING - Verify design parameters and READ NOTES ON THIS AND INCLUDED MITEK REFERENCE PAGE MII-7473 rev. 10/03/2015 BEFORE USE.

Design valid for use only with MiTek® connectors. This design is based only upon parameters shown, and is for an individual building component, not a truss system. Before use, the building designer must verify the applicability of design parameters and properly incorporate this design into the overall building design. Bracing indicated is to prevent buckling of individual truss web and/or chord members only. Additional temporary and permanent bracing is always required for stability and to prevent collapse with possible personal injury and property damage. For general guidance regarding the fabrication, storage, delivery, erection and bracing of trusses and truss systems, see **ANSI/TP1 Quality Criteria, DSB-89 and BCSI Building Component Safety Information** available from Truss Plate Institute, 218 N. Lee Street, Suite 312, Alexandria, VA 22314.



818 Soundside Road
Edenton, NC 27932

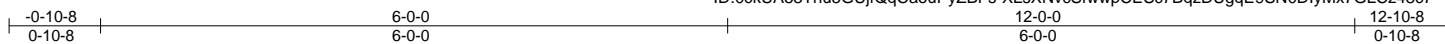
Job 148.1869	Truss R1	Truss Type COMMON	Qty 3	Ply 1	148.1869.B.CVS	137519372
-----------------	-------------	----------------------	----------	----------	----------------	-----------

84 Components (Dunn), Dunn, NC - 28334,

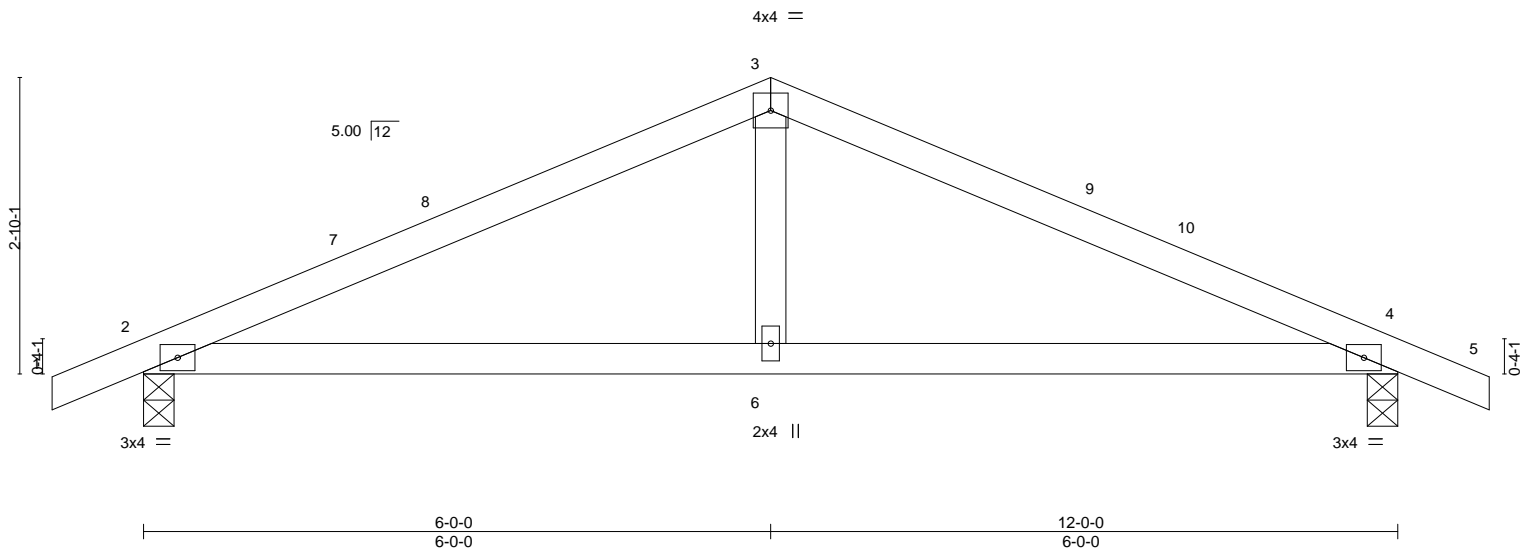
8.220 s Nov 16 2018 MiTek Industries, Inc. Fri Jun 21 06:20:22 2019 Page 1

ID:0ckUA53Thu5GUJfQqCaouPyZBFs-XLsXNvcSfwppCESc7BqzDUgqE9SN0DlyMx7GLCz48c7

Job Reference (optional)



Scale = 1:22.0



LOADING (psf)	SPACING-	2-0-0	CSI.	DEFL.	in (loc)	l/defl	L/d	PLATES	GRIP
TCLL 20.0	Plate Grip DOL	1.15	TC 0.50	Vert(LL)	-0.03	2-6	>999	MT20	244/190
TCDL 10.0	Lumber DOL	1.15	BC 0.41	Vert(CT)	-0.07	4-6	>999		
BCLL 0.0 *	Rep Stress Incr	YES	WB 0.11	Horz(CT)	0.01	4	n/a		
BCDL 10.0	Code IRC2015/TPI2014		Matrix-S						
								Weight: 44 lb	FT = 20%

LUMBER-
 TOP CHORD 2x4 SP No.2
 BOT CHORD 2x4 SP No.2
 WEBS 2x4 SP No.3

BRACING-
 TOP CHORD Structural wood sheathing directly applied or 5-10-10 oc purlins.
 BOT CHORD Rigid ceiling directly applied or 10-0-0 oc bracing.

REACTIONS. (lb/size) 2=530/0-3-8, 4=530/0-3-8
 Max Horz 2=-48(LC 17)
 Max Uplift 2=-79(LC 12), 4=-79(LC 13)

FORCES. (lb) - Max. Comp./Max. Ten. - All forces 250 (lb) or less except when shown.
 TOP CHORD 2-3=-737/133, 3-4=-737/133
 BOT CHORD 2-6=-41/614, 4-6=-41/614
 WEBS 3-6=0/283

- NOTES-**
- 1) Unbalanced roof live loads have been considered for this design.
 - 2) Wind: ASCE 7-10; Vult=130mph (3-second gust) Vasd=103mph; TC DL=6.0psf; BCDL=6.0psf; h=25ft; Cat. II; Exp B; Enclosed; MWFRS (envelope) gable end zone and C-C Exterior(2) -0-10-8 to 2-1-8, Interior(1) 2-1-8 to 6-0-0, Exterior(2) 6-0-0 to 9-0-0, Interior(1) 9-0-0 to 12-10-8 zone; C-C for members and forces & MWFRS for reactions shown; Lumber DOL=1.60 plate grip DOL=1.60
 - 3) This truss has been designed for a 10.0 psf bottom chord live load nonconcurrent with any other live loads.
 - 4) * This truss has been designed for a live load of 20.0psf on the bottom chord in all areas where a rectangle 3-6-0 tall by 2-0-0 wide will fit between the bottom chord and any other members.
 - 5) Provide mechanical connection (by others) of truss to bearing plate capable of withstanding 100 lb uplift at joint(s) 2.
 - 6) One RT7A USP connectors recommended to connect truss to bearing walls due to UPLIFT at jt(s) 4. This connection is for uplift only and does not consider lateral forces.



June 21, 2019

WARNING - Verify design parameters and READ NOTES ON THIS AND INCLUDED MITEK REFERENCE PAGE MII-7473 rev. 10/03/2015 BEFORE USE.

Design valid for use only with MiTek® connectors. This design is based only upon parameters shown, and is for an individual building component, not a truss system. Before use, the building designer must verify the applicability of design parameters and properly incorporate this design into the overall building design. Bracing indicated is to prevent buckling of individual truss web and/or chord members only. Additional temporary and permanent bracing is always required for stability and to prevent collapse with possible personal injury and property damage. For general guidance regarding the fabrication, storage, delivery, erection and bracing of trusses and truss systems, see **ANSI/TPI1 Quality Criteria, DSB-89 and BCSI Building Component Safety Information** available from Truss Plate Institute, 218 N. Lee Street, Suite 312, Alexandria, VA 22314.



818 Soundside Road
 Edenton, NC 27932

Job 148.1869	Truss RE	Truss Type GABLE	Qty 1	Ply 1	148.1869.B.CVS	137519373
-----------------	-------------	---------------------	----------	----------	----------------	-----------

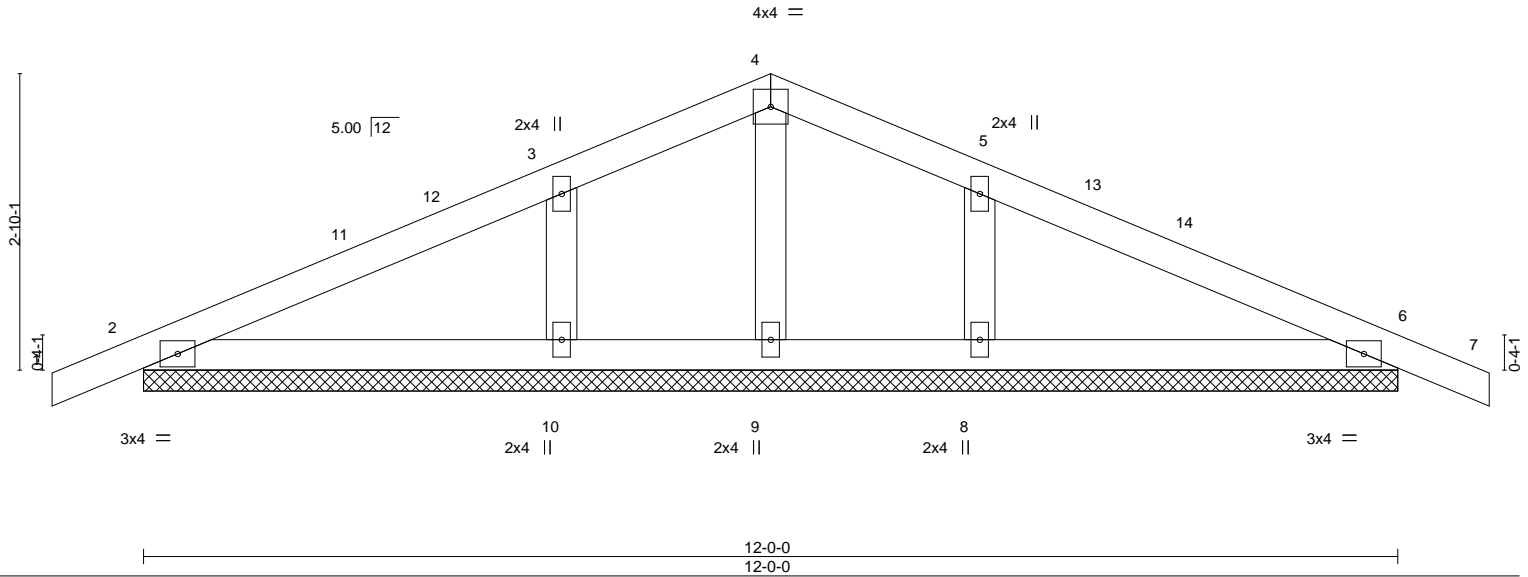
84 Components (Dunn), Dunn, NC - 28334,

8.220 s Nov 16 2018 MiTek Industries, Inc. Fri Jun 21 06:20:22 2019 Page 1

ID:0ckUA53Thu5GUjfqQCaouPyZBFs-XLsXNvcSfwwpCESc7BqzDUgvJ9Xw0DwyMx7GLCz48c7



Scale = 1:22.0



LOADING (psf)	SPACING-	2-0-0	CSI.	DEFL.	in (loc)	l/defl	L/d	PLATES	GRIP
TCLL 20.0	Plate Grip DOL	1.15	TC 0.18	Vert(LL)	0.00	7	n/r	MT20	244/190
TCDL 10.0	Lumber DOL	1.15	BC 0.12	Vert(CT)	0.01	7	n/r		
BCLL 0.0 *	Rep Stress Incr	YES	WB 0.07	Horz(CT)	0.00	6	n/a		
BCDL 10.0	Code IRC2015/TPI2014		Matrix-S					Weight: 48 lb	FT = 20%

LUMBER-
 TOP CHORD 2x4 SP No.2
 BOT CHORD 2x4 SP No.2
 OTHERS 2x4 SP No.3

BRACING-
 TOP CHORD Structural wood sheathing directly applied or 6-0-0 oc purlins.
 BOT CHORD Rigid ceiling directly applied or 10-0-0 oc bracing.

REACTIONS. All bearings 12-0-0.
 (lb) - Max Horz 2=-48(LC 13)
 Max Uplift All uplift 100 lb or less at joint(s) 2, 6, 10, 8
 Max Grav All reactions 250 lb or less at joint(s) 2, 6, 9 except 10=325(LC 1), 8=325(LC 1)

FORCES. (lb) - Max. Comp./Max. Ten. - All forces 250 (lb) or less except when shown.

NOTES-

- 1) Unbalanced roof live loads have been considered for this design.
- 2) Wind: ASCE 7-10; Vult=130mph (3-second gust) Vasd=103mph; TC DL=6.0psf; BCDL=6.0psf; h=25ft; Cat. II; Exp B; Enclosed; MWFRS (envelope) gable end zone and C-C Corner(3) -0-10-8 to 2-1-8, Exterior(2) 2-1-8 to 6-0-0, Corner(3) 6-0-0 to 9-0-0, Exterior(2) 9-0-0 to 12-10-8 zone; C-C for members and forces & MWFRS for reactions shown; Lumber DOL=1.60 plate grip DOL=1.60
- 3) Truss designed for wind loads in the plane of the truss only. For studs exposed to wind (normal to the face), see Standard Industry Gable End Details as applicable, or consult qualified building designer as per ANSI/TPI 1.
- 4) Gable requires continuous bottom chord bearing.
- 5) Gable studs spaced at 2-0-0 oc.
- 6) This truss has been designed for a 10.0 psf bottom chord live load nonconcurrent with any other live loads.
- 7) * This truss has been designed for a live load of 20.0psf on the bottom chord in all areas where a rectangle 3-6-0 tall by 2-0-0 wide will fit between the bottom chord and any other members.
- 8) Provide mechanical connection (by others) of truss to bearing plate capable of withstanding 100 lb uplift at joint(s) 2, 6, 10, 8.



June 21, 2019

WARNING - Verify design parameters and READ NOTES ON THIS AND INCLUDED MITEK REFERENCE PAGE MII-7473 rev. 10/03/2015 BEFORE USE.

Design valid for use only with MiTek® connectors. This design is based only upon parameters shown, and is for an individual building component, not a truss system. Before use, the building designer must verify the applicability of design parameters and properly incorporate this design into the overall building design. Bracing indicated is to prevent buckling of individual truss web and/or chord members only. Additional temporary and permanent bracing is always required for stability and to prevent collapse with possible personal injury and property damage. For general guidance regarding fabrication, storage, delivery, erection and bracing of trusses and truss systems, see **ANSI/TPI1 Quality Criteria, DSB-89 and BCSI Building Component Safety Information** available from Truss Plate Institute, 218 N. Lee Street, Suite 312, Alexandria, VA 22314.



818 Soundside Road
 Edenton, NC 27932

Job 148.1869	Truss T1	Truss Type COMMON	Qty 3	Ply 1	148.1869.B.CVS	137519374
-----------------	-------------	----------------------	----------	----------	----------------	-----------

84 Components (Dunn), Dunn, NC - 28334,

8.220 s Nov 16 2018 MiTek Industries, Inc. Fri Jun 21 06:20:23 2019 Page 1

ID:0ckUA53Thu5GUjQqCaouPyZBFs-?XQvbFd4QD3gqO1phvLCIhDvXZgHIUA5bbsqtez48c6

Job Reference (optional)



6x6 =

Scale = 1:78.4

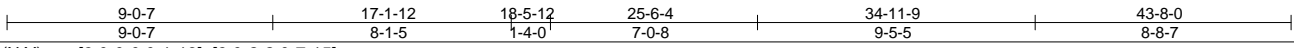
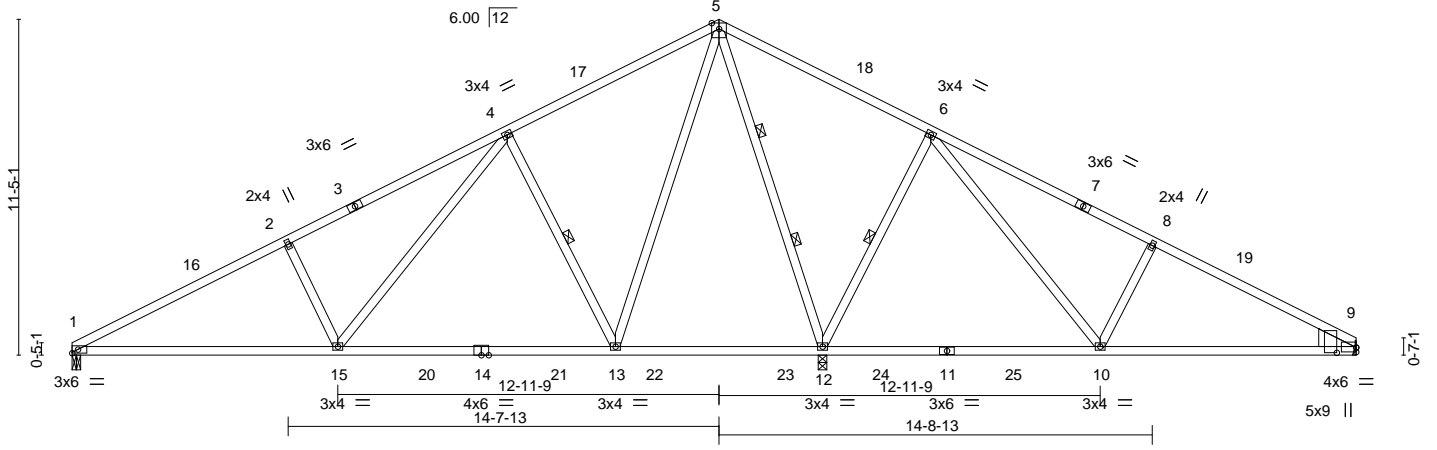


Plate Offsets (X, Y)-- [9:0-0-0,0-1-13], [9:0-2-2,0-7-15]

LOADING (psf)	SPACING-	2-0-0	CSI.	DEFL.	in (loc)	l/defl	L/d	PLATES	GRIP
TCLL 20.0	Plate Grip DOL	1.15	TC 0.79	Vert(LL)	-0.29	13-15	>999	MT20	244/190
TCDL 10.0	Lumber DOL	1.15	BC 0.88	Vert(CT)	-0.45	13-15	>670		
BCLL 0.0 *	Rep Stress Incr	YES	WB 0.84	Horz(CT)	0.02	12	n/a		
BCDL 10.0	Code IRC2015/TPI2014		Matrix-S						
								Weight: 238 lb	FT = 20%

LUMBER-	BRACING-
TOP CHORD 2x4 SP No.2	TOP CHORD Structural wood sheathing directly applied or 2-4-4 oc purlins.
BOT CHORD 2x4 SP No.2	BOT CHORD Rigid ceiling directly applied or 6-0-0 oc bracing.
WEBS 2x4 SP No.3	WEBS 1 Row at midpt 4-13, 6-12
WEDGE	2 Rows at 1/3 pts 5-12
Right: 2x8 SP No.2	

REACTIONS. (lb/size) 1=775/0-3-8, 12=2315/0-3-8, 9=386/Mechanical
 Max Horz 1=186(LC 16)
 Max Uplift 1=-118(LC 12), 12=-209(LC 12), 9=-96(LC 13)
 Max Grav 1=819(LC 23), 12=2387(LC 2), 9=477(LC 24)

FORCES. (lb) - Max. Comp./Max. Ten. - All forces 250 (lb) or less except when shown.
 TOP CHORD 1-2=-1304/203, 2-4=-1140/253, 4-5=-295/182, 5-6=0/821, 6-8=-414/205, 8-9=-581/158
 BOT CHORD 1-15=-282/1100, 13-15=-92/517, 12-13=-220/272, 10-12=-358/155, 9-10=-58/458
 WEBS 2-15=-407/251, 4-15=-139/738, 4-13=-741/315, 5-13=-196/946, 5-12=-1564/233,
 6-12=-742/315, 6-10=-132/728, 8-10=-410/246

- NOTES-**
- Unbalanced roof live loads have been considered for this design.
 - Wind: ASCE 7-10; Vult=130mph (3-second gust) Vasd=103mph; TCDL=6.0psf; BCDL=6.0psf; h=25ft; Cat. II; Exp B; Enclosed; MWFRS (envelope) gable end zone and C-C Exterior(2) 0-1-12 to 4-6-2, Interior(1) 4-6-2 to 22-0-0, Exterior(2) 22-0-0 to 26-4-6, Interior(1) 26-4-6 to 43-7-4 zone; C-C for members and forces & MWFRS for reactions shown; Lumber DOL=1.60 plate grip DOL=1.60
 - This truss has been designed for a 10.0 psf bottom chord live load nonconcurrent with any other live loads.
 - * This truss has been designed for a live load of 20.0psf on the bottom chord in all areas where a rectangle 3-6-0 tall by 2-0-0 wide will fit between the bottom chord and any other members, with BCDL = 10.0psf.
 - Refer to girder(s) for truss to truss connections.
 - Provide mechanical connection (by others) of truss to bearing plate capable of withstanding 100 lb uplift at joint(s) 9 except (jt=lb) 1=118.
 - One RT7A USP connectors recommended to connect truss to bearing walls due to UPLIFT at jt(s) 12. This connection is for uplift only and does not consider lateral forces.



June 21, 2019

WARNING - Verify design parameters and READ NOTES ON THIS AND INCLUDED MITEK REFERENCE PAGE MII-7473 rev. 10/03/2015 BEFORE USE.

Design valid for use only with MiTek® connectors. This design is based only upon parameters shown, and is for an individual building component, not a truss system. Before use, the building designer must verify the applicability of design parameters and properly incorporate this design into the overall building design. Bracing indicated is to prevent buckling of individual truss web and/or chord members only. Additional temporary and permanent bracing is always required for stability and to prevent collapse with possible personal injury and property damage. For general guidance regarding the fabrication, storage, delivery, erection and bracing of trusses and truss systems, see **ANSI/TPI1 Quality Criteria, DSB-89 and BCSI Building Component Safety Information** available from Truss Plate Institute, 218 N. Lee Street, Suite 312, Alexandria, VA 22314.

ENGINEERING BY
TRENCO
 A MiTek Affiliate

818 Soundside Road
 Edenton, NC 27932

Job 148.1869	Truss T1E	Truss Type COMMON SUPPORTED GAB	Qty 1	Ply 1	148.1869.B.CVS	137519375
-----------------	--------------	------------------------------------	----------	----------	----------------	-----------

84 Components (Dunn), Dunn, NC - 28334,

8.220 s Nov 16 2018 MiTek Industries, Inc. Fri Jun 21 06:20:25 2019 Page 1

ID:0ckUA53Thu5GUjfqCaouPyZBFs-xwYg?xeKyrJO3iBBpKNgq6lQnMZnDZKO2vLwxXz48c4

Job Reference (optional)



6x6 =

Scale = 1:79.6

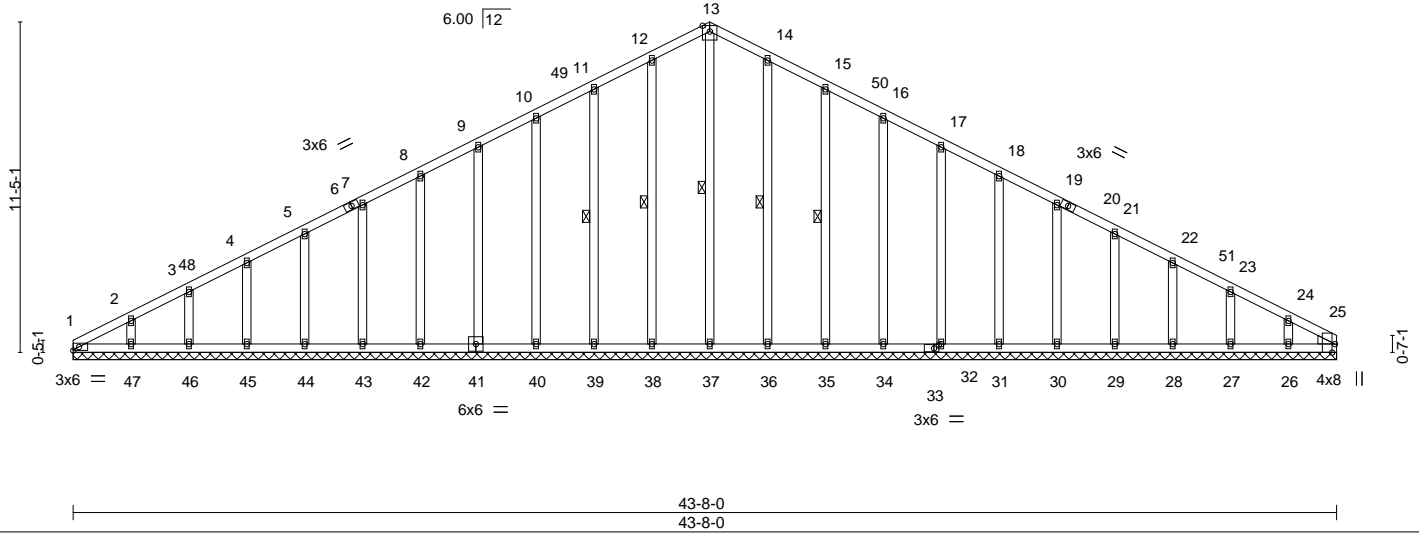


Plate Offsets (X,Y)--	[25:0-0-3,0-0-6], [25:0-0-6,0-5-7], [25:0-3-8,Edge], [33:0-2-0,0-1-8]
-----------------------	---

LOADING (psf)	SPACING-	2-0-0	CSI.	DEFL.	in (loc)	l/defl	L/d	PLATES	GRIP
TCLL 20.0	Plate Grip DOL	1.15	TC 0.10	Vert(LL)	n/a	-	n/a	MT20	244/190
TCDL 10.0	Lumber DOL	1.15	BC 0.04	Vert(CT)	n/a	-	n/a		
BCLL 0.0 *	Rep Stress Incr	YES	WB 0.15	Horz(CT)	0.01	25	n/a		
BCDL 10.0	Code IRC2015/TPI2014		Matrix-S						
								Weight: 315 lb	FT = 20%

LUMBER-	BRACING-
TOP CHORD 2x4 SP No.2	TOP CHORD Structural wood sheathing directly applied or 6-0-0 oc purlins.
BOT CHORD 2x4 SP No.2	BOT CHORD Rigid ceiling directly applied or 10-0-0 oc bracing.
OTHERS 2x4 SP No.3	WEBS 1 Row at midt 13-37, 12-38, 11-39, 14-36, 15-35
WEDGE	
Right: 2x4 SP No.3	

REACTIONS. All bearings 43-8-0.
 (lb) - Max Horz 1=186(LC 12)
 Max Uplift All uplift 100 lb or less at joint(s) 1, 38, 39, 40, 41, 42, 43, 44, 45, 46, 47, 36, 35, 34, 32, 31, 30, 29, 28, 27, 26
 Max Grav All reactions 250 lb or less at joint(s) 1, 37, 38, 39, 40, 41, 42, 43, 44, 45, 46, 47, 36, 35, 34, 32, 31, 30, 29, 28, 27, 26, 25

FORCES. (lb) - Max. Comp./Max. Ten. - All forces 250 (lb) or less except when shown.
 TOP CHORD 1-2=-263/86, 10-11=-94/276, 11-12=-111/326, 12-13=-127/367, 13-14=-127/370, 14-15=-111/329, 15-16=-94/279

- NOTES-**
- Unbalanced roof live loads have been considered for this design.
 - Wind: ASCE 7-10; Vult=130mph (3-second gust) Vasd=103mph; TC DL=6.0psf; BCDL=6.0psf; h=25ft; Cat. II; Exp B; Enclosed; MWFRS (envelope) gable end zone and C-C Corner(3) 0-0-0 to 4-4-6, Exterior(2) 4-4-6 to 22-0-0, Corner(3) 22-0-0 to 26-4-6, Exterior(2) 26-4-6 to 43-8-0 zone; C-C for members and forces & MWFRS for reactions shown; Lumber DOL=1.60 plate grip DOL=1.60
 - Truss designed for wind loads in the plane of the truss only. For studs exposed to wind (normal to the face), see Standard Industry Gable End Details as applicable, or consult qualified building designer as per ANSI/TPI 1.
 - All plates are 2x4 MT20 unless otherwise indicated.
 - Gable requires continuous bottom chord bearing.
 - Gable studs spaced at 2-0-0 oc.
 - This truss has been designed for a 10.0 psf bottom chord live load nonconcurrent with any other live loads.
 - * This truss has been designed for a live load of 20.0psf on the bottom chord in all areas where a rectangle 3-6-0 tall by 2-0-0 wide will fit between the bottom chord and any other members.
 - Provide mechanical connection (by others) of truss to bearing plate capable of withstanding 100 lb uplift at joint(s) 1, 38, 39, 40, 41, 42, 43, 44, 45, 46, 47, 36, 35, 34, 32, 31, 30, 29, 28, 27, 26.



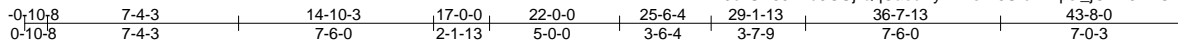
June 21, 2019

<p>WARNING - Verify design parameters and READ NOTES ON THIS AND INCLUDED MITEK REFERENCE PAGE MII-7473 rev. 10/03/2015 BEFORE USE.</p> <p>Design valid for use only with MiTek® connectors. This design is based only upon parameters shown, and is for an individual building component, not a truss system. Before use, the building designer must verify the applicability of design parameters and properly incorporate this design into the overall building design. Bracing indicated is to prevent buckling of individual truss web and/or chord members only. Additional temporary and permanent bracing is always required for stability and to prevent collapse with possible personal injury and property damage. For general guidance regarding the fabrication, storage, delivery, erection and bracing of trusses and truss systems, see ANSI/TPI1 Quality Criteria, DSB-89 and BCSI Building Component Safety Information available from Truss Plate Institute, 218 N. Lee Street, Suite 312, Alexandria, VA 22314.</p>	<p>ENGINEERING BY TRENCO A MiTek Affiliate</p> <p>818 Soundside Road Edenton, NC 27932</p>
---	--

Job 148.1869	Truss T2	Truss Type COMMON	Qty 4	Ply 1	148.1869.B.CVS	137519376
-----------------	-------------	----------------------	----------	----------	----------------	-----------

Job Reference (optional)

8.220 s Mar 22 2019 MiTek Industries, Inc. Fri Jun 21 08:02:16 2019 Page 1
ID:0ckUA53Thu5GUjJfQqCaouPyZBFs-K5Ulc1Tlrpsi_jOPA3H7O2uZWl3hXGqtH99nwqz476b



6x6 =

Scale = 1:88.6

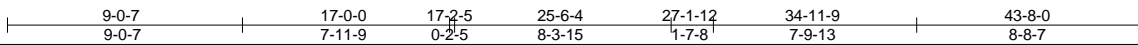
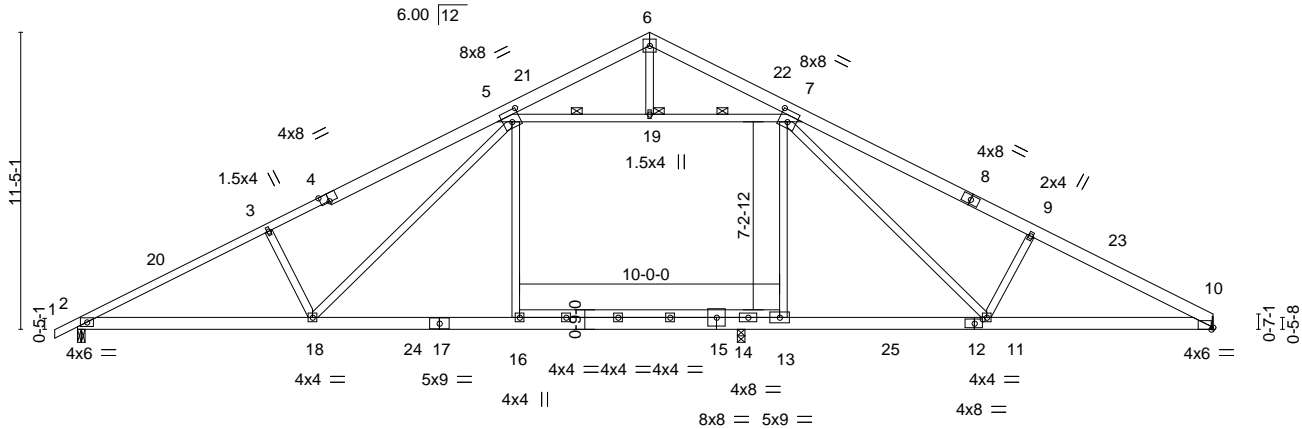


Plate Offsets (X,Y)-- [4:0-4-0,Edge], [5:0-4-0,0-5-4], [7:0-4-0,0-5-4], [10:0-0-13,Edge], [12:0-3-11,0-2-0], [15:0-0-0,0-2-12]

LOADING (psf)	SPACING-	CSI.	DEFL.	in (loc)	l/defl	L/d	PLATES	GRIP
TCLL 20.0	Plate Grip DOL 1.15	TC 0.87	Vert(LL) -0.37	16-18	>815	240	MT20	244/190
TCDL 10.0	Lumber DOL 1.15	BC 0.73	Vert(CT) -0.66	16-18	>462	180		
BCLL 0.0 *	Rep Stress Incr YES	WB 0.62	Horz(CT) 0.09	10	n/a	n/a		
BCDL 10.0	Code IRC2015/TPI2014	Matrix-S						
							Weight: 311 lb	FT = 20%

LUMBER-

TOP CHORD 2x6 SP No.2 *Except*
1-4: 2x4 SP No.1
BOT CHORD 2x6 SP No.2 *Except*
12-15: 2x6 SP DSS, 13-16: 2x4 SP No.2
WEBS 2x4 SP No.3

BRACING-

TOP CHORD Structural wood sheathing directly applied.
BOT CHORD Rigid ceiling directly applied or 9-3-8 oc bracing.
WEBS 1 Row at midpt 5-19, 7-19
JOINTS 1 Brace at Jt(s): 19

REACTIONS. (lb/size) 2=1619/0-3-8, 10=1483/Mechanical, 14=436/0-3-8
Max Horz 2=196(LC 12)
Max Uplift 2=313(LC 12), 10=190(LC 12), 14=242(LC 13)
Max Grav 2=1643(LC 25), 10=1499(LC 2), 14=776(LC 24)

FORCES. (lb) - Max. Comp./Max. Ten. - All forces 250 (lb) or less except when shown.
TOP CHORD 2-20=-3087/571, 3-20=-3011/592, 3-4=-2932/611, 4-5=-2814/646, 5-21=-479/129,
6-21=-397/156, 6-22=-480/163, 7-22=-513/136, 7-8=-2480/505, 8-9=-2664/469,
9-23=-2720/455, 10-23=-2805/434
BOT CHORD 2-18=-625/2755, 18-24=-373/2061, 17-24=-373/2061, 16-17=-373/2061, 15-16=-367/2073,
14-15=-366/2072, 13-14=-352/2065, 13-25=-358/2053, 12-25=-358/2053, 11-12=-358/2053,
10-11=-351/2446
WEBS 3-18=-424/263, 5-18=-207/876, 7-11=-264/788, 9-11=-435/290, 5-16=-41/336,
5-19=-1705/468, 7-19=-1705/468, 7-13=-477/601

NOTES-

- 1) Unbalanced roof live loads have been considered for this design.
- 2) Wind: ASCE 7-10; Vult=130mph (3-second gust) Vasd=103mph; TCDL=6.0psf; BCDL=6.0psf; h=25ft; Cat. II; Exp B; Enclosed; MWFRS (envelope) gable end zone and C-C Exterior(2) -0-10-8 to 3-5-14, Interior(1) 3-5-14 to 22-0-0, Exterior(2) 22-0-0 to 26-4-6, Interior(1) 26-4-6 to 43-7-4 zone; C-C for members and forces & MWFRS for reactions shown; Lumber DOL=1.60 plate grip DOL=1.60
- 3) This truss has been designed for a 10.0 psf bottom chord live load nonconcurrent with any other live loads.
- 4) * This truss has been designed for a live load of 20.0psf on the bottom chord in all areas where a rectangle 3-6-0 tall by 2-0-0 wide will fit between the bottom chord and any other members, with BCDL = 10.0psf.
- 5) Refer to girder(s) for truss to truss connections.
- 6) Provide mechanical connection (by others) of truss to bearing plate capable of withstanding 313 lb uplift at joint 2, 190 lb uplift at joint 10 and 242 lb uplift at joint 14.

LOAD CASE(S) Standard



June 21, 2019

WARNING - Verify design parameters and READ NOTES ON THIS AND INCLUDED MITEK REFERENCE PAGE MII-7473 rev. 10/03/2015 BEFORE USE.

Design valid for use only with MiTek® connectors. This design is based only upon parameters shown, and is for an individual building component, not a truss system. Before use, the building designer must verify the applicability of design parameters and properly incorporate this design into the overall building design. Bracing indicated is to prevent buckling of individual truss web and/or chord members only. Additional temporary and permanent bracing is always required for stability and to prevent collapse with possible personal injury and property damage. For general guidance regarding the fabrication, storage, delivery, erection and bracing of trusses and truss systems, see **ANSI/TPI1 Quality Criteria, DSB-89 and BCSI Building Component Safety Information** available from Truss Plate Institute, 218 N. Lee Street, Suite 312, Alexandria, VA 22314.



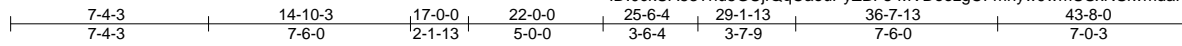
818 Soundside Road
Edenton, NC 27932

Job 148.1869	Truss T2A	Truss Type COMMON	Qty 3	Ply 1	148.1869.B.CVS	137519377
-----------------	--------------	----------------------	----------	----------	----------------	-----------

84 Components (Dunn), Dunn, NC - 28334,

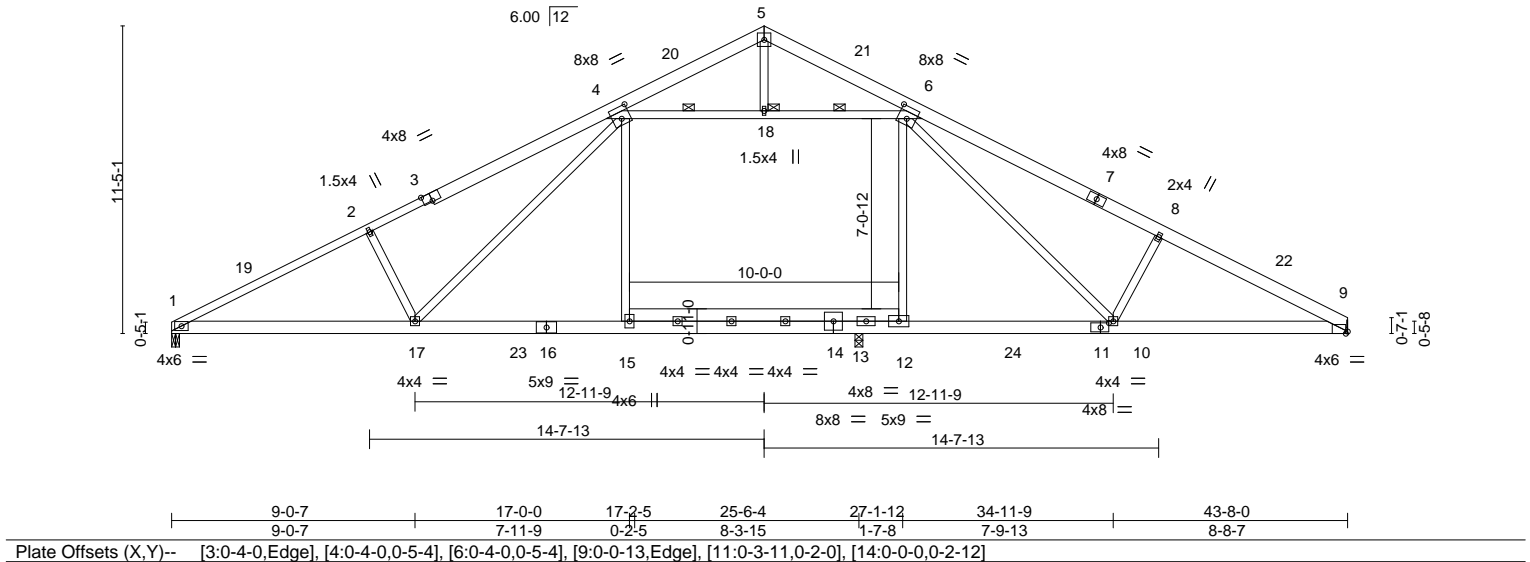
8.220 s Nov 16 2018 MiTek Industries, Inc. Fri Jun 21 06:20:28 2019 Page 1

ID:0ckUA53Thu5GUjJqCaouPyZBFs-MVDoezgCFmhyw9wmUSxNSlwmndaP5Qp7rtabYrz48c1



6x6 =

Scale = 1:85.6



LOADING (psf)	SPACING-	2-0-0	CSI.	DEFL.	in (loc)	l/defl	L/d	PLATES	GRIP
TCLL 20.0	Plate Grip DOL	1.15	TC 0.83	Vert(LL)	-0.37	15-17	>815	MT20	244/190
TCDL 10.0	Lumber DOL	1.15	BC 0.77	Vert(CT)	-0.66	15-17	>461		
BCLL 0.0 *	Rep Stress Incr	YES	WB 0.60	Horz(CT)	0.08	9	n/a		
BCDL 10.0	Code IRC2015/TPI2014		Matrix-S						
								Weight: 318 lb	FT = 20%

LUMBER-	BRACING-
TOP CHORD 2x6 SP No.2 *Except* 1-3: 2x4 SP No.1	TOP CHORD Structural wood sheathing directly applied.
BOT CHORD 2x6 SP No.2 *Except* 11-14: 2x6 SP DSS	BOT CHORD Rigid ceiling directly applied or 9-3-2 oc bracing.
WEBS 2x4 SP No.3	WEBS 1 Row at midpt 4-18, 6-18
	JOINTS 1 Brace at Jt(s): 18

REACTIONS. (lb/size) 1=1531/0-3-8, 9=1448/Mechanical, 13=498/0-3-8
 Max Horz 1=183(LC 16)
 Max Uplift 1=-291(LC 12), 9=-191(LC 12), 13=-256(LC 13)
 Max Grav 1=1575(LC 25), 9=1463(LC 2), 13=837(LC 24)

FORCES. (lb) - Max. Comp./Max. Ten. - All forces 250 (lb) or less except when shown.
 TOP CHORD 1-2=-3063/596, 2-4=-2908/650, 4-5=-474/148, 5-6=-509/153, 6-8=-2583/505,
 8-9=-2724/456
 BOT CHORD 1-17=-631/2723, 15-17=-372/2011, 13-15=-367/2021, 12-13=-342/2007, 10-12=-358/2002,
 9-10=-352/2374
 WEBS 2-17=-435/272, 4-17=-212/897, 6-10=-254/757, 8-10=-436/290, 4-15=-71/311,
 4-18=-1669/466, 6-18=-1669/466, 6-12=-494/587

NOTES-

- 1) Unbalanced roof live loads have been considered for this design.
- 2) Wind: ASCE 7-10; Vult=130mph (3-second gust) Vasd=103mph; TCCL=6.0psf; BCDL=6.0psf; h=25ft; Cat. II; Exp B; Enclosed; MWFRS (envelope) gable end zone and C-C Exterior(2) 0-1-12 to 3-1-12, Interior(1) 3-1-12 to 22-0-0, Exterior(2) 22-0-0 to 25-0-0, Interior(1) 25-0-0 to 43-7-4 zone; C-C for members and forces & MWFRS for reactions shown; Lumber DOL=1.60 plate grip DOL=1.60
- 3) This truss has been designed for a 10.0 psf bottom chord live load nonconcurrent with any other live loads.
- 4) * This truss has been designed for a live load of 20.0psf on the bottom chord in all areas where a rectangle 3-6-0 tall by 2-0-0 wide will fit between the bottom chord and any other members, with BCDL = 10.0psf.
- 5) Refer to girder(s) for truss to truss connections.
- 6) Provide mechanical connection (by others) of truss to bearing plate capable of withstanding 100 lb uplift at joint(s) except (jt=lb) 1=291, 9=191.
- 7) One RT7A USP connectors recommended to connect truss to bearing walls due to UPLIFT at jt(s) 13. This connection is for uplift only and does not consider lateral forces.



June 21, 2019

<p>WARNING - Verify design parameters and READ NOTES ON THIS AND INCLUDED MITEK REFERENCE PAGE MII-7473 rev. 10/03/2015 BEFORE USE.</p> <p>Design valid for use only with MiTek® connectors. This design is based only upon parameters shown, and is for an individual building component, not a truss system. Before use, the building designer must verify the applicability of design parameters and properly incorporate this design into the overall building design. Bracing indicated is to prevent buckling of individual truss web and/or chord members only. Additional temporary and permanent bracing is always required for stability and to prevent collapse with possible personal injury and property damage. For general guidance regarding the fabrication, storage, delivery, erection and bracing of trusses and truss systems, see ANSI/TPI1 Quality Criteria, DSB-89 and BCSI Building Component Safety Information available from Truss Plate Institute, 218 N. Lee Street, Suite 312, Alexandria, VA 22314.</p>	<p>ENGINEERING BY TRENCO <small>A MiTek Affiliate</small></p> <p>818 Soundside Road Edenton, NC 27932</p>
---	---

Job 148.1869	Truss T2E	Truss Type COMMON SUPPORTED GAB	Qty 1	Ply 1	148.1869.B.CVS	137519378
-----------------	--------------	------------------------------------	----------	----------	----------------	-----------

84 Components (Dunn), Dunn, NC - 28334,

8.220 s Nov 16 2018 MiTek Industries, Inc. Fri Jun 21 06:20:29 2019 Page 1
ID:0ckUA53Thu5GUjfqCaouPyZBFs-qhnArJhr?3ppYJVy29Sc?yT6nzwI9NK_zXJB4Iz48c0

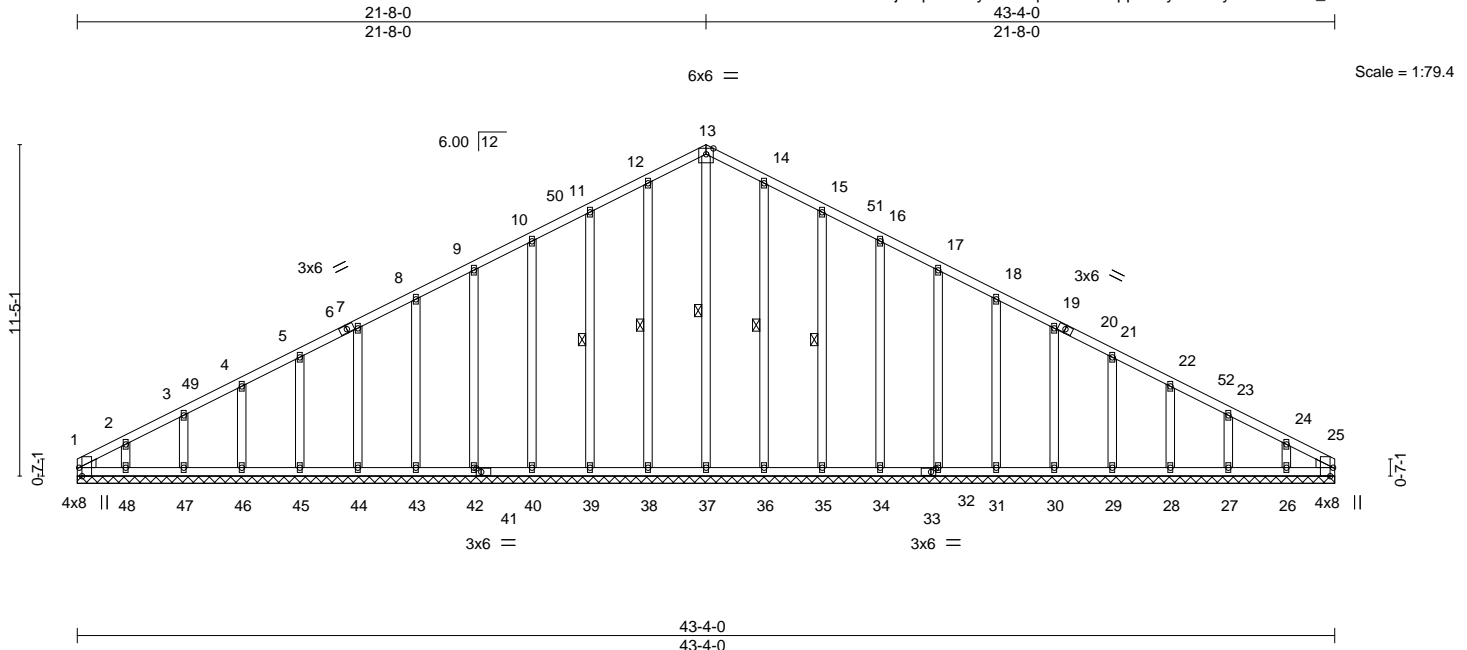


Plate Offsets (X,Y)--	[1:0-0-3,0-0-6], [1:0-0-6,0-5-7], [1:0-3-8,Edge], [25:0-0-3,0-0-6], [25:0-0-6,0-5-7], [25:0-3-8,Edge], [33:0-2-0,0-1-8], [41:0-2-0,0-1-8]
-----------------------	---

LOADING (psf)	SPACING-	2-0-0	CSI.	DEFL.	in (loc)	l/defl	L/d	PLATES	GRIP
TCLL 20.0	Plate Grip DOL	1.15	TC 0.10	Vert(LL)	n/a	-	n/a	MT20	244/190
TCDL 10.0	Lumber DOL	1.15	BC 0.04	Vert(CT)	n/a	-	n/a		
BCLL 0.0 *	Rep Stress Incr	YES	WB 0.15	Horz(CT)	0.01	25	n/a		
BCDL 10.0	Code IRC2015/TPI2014		Matrix-S					Weight: 315 lb	FT = 20%

LUMBER-
TOP CHORD 2x4 SP No.2
BOT CHORD 2x4 SP No.2
OTHERS 2x4 SP No.3
WEDGE
Left: 2x4 SP No.3, Right: 2x4 SP No.3

BRACING-
TOP CHORD Structural wood sheathing directly applied or 6-0-0 oc purlins.
BOT CHORD Rigid ceiling directly applied or 10-0-0 oc bracing.
WEBS 1 Row at midpt 13-37, 12-38, 11-39, 14-36, 15-35

REACTIONS. All bearings 43-4-0.
(lb) - Max Horz 1=186(LC 12)
Max Uplift All uplift 100 lb or less at joint(s) 1, 38, 39, 40, 42, 43, 44, 45, 46, 47, 48, 36, 35, 34, 32, 31, 30, 29, 28, 27, 26
Max Grav All reactions 250 lb or less at joint(s) 1, 37, 38, 39, 40, 42, 43, 44, 45, 46, 47, 48, 36, 35, 34, 32, 31, 30, 29, 28, 27, 26, 25

FORCES. (lb) - Max. Comp./Max. Ten. - All forces 250 (lb) or less except when shown.
TOP CHORD 1-2=-276/89, 10-11=-93/275, 11-12=-111/325, 12-13=-126/366, 13-14=-126/369, 14-15=-111/328, 15-16=-93/278

- NOTES-**
- Unbalanced roof live loads have been considered for this design.
 - Wind: ASCE 7-10; Vult=130mph (3-second gust) Vasd=103mph; TC DL=6.0psf; BCDL=6.0psf; h=25ft; Cat. II; Exp B; Enclosed; MWFRS (envelope) gable end zone and C-C Corner(3) 0-0-0 to 4-4-0, Exterior(2) 4-4-0 to 21-8-0, Corner(3) 21-8-0 to 26-0-0, Exterior(2) 26-0-0 to 43-4-0 zone; C-C for members and forces & MWFRS for reactions shown; Lumber DOL=1.60 plate grip DOL=1.60
 - Truss designed for wind loads in the plane of the truss only. For studs exposed to wind (normal to the face), see Standard Industry Gable End Details as applicable, or consult qualified building designer as per ANSI/TPI 1.
 - All plates are 2x4 MT20 unless otherwise indicated.
 - Gable requires continuous bottom chord bearing.
 - Gable studs spaced at 2-0-0 oc.
 - This truss has been designed for a 10.0 psf bottom chord live load nonconcurrent with any other live loads.
 - * This truss has been designed for a live load of 20.0psf on the bottom chord in all areas where a rectangle 3-6-0 tall by 2-0-0 wide will fit between the bottom chord and any other members.
 - Provide mechanical connection (by others) of truss to bearing plate capable of withstanding 100 lb uplift at joint(s) 1, 38, 39, 40, 42, 43, 44, 45, 46, 47, 48, 36, 35, 34, 32, 31, 30, 29, 28, 27, 26.



June 21, 2019

WARNING - Verify design parameters and READ NOTES ON THIS AND INCLUDED MITEK REFERENCE PAGE MII-7473 rev. 10/03/2015 BEFORE USE.

Design valid for use only with MiTek® connectors. This design is based only upon parameters shown, and is for an individual building component, not a truss system. Before use, the building designer must verify the applicability of design parameters and properly incorporate this design into the overall building design. Bracing indicated is to prevent buckling of individual truss web and/or chord members only. Additional temporary and permanent bracing is always required for stability and to prevent collapse with possible personal injury and property damage. For general guidance regarding the fabrication, storage, delivery, erection and bracing of trusses and truss systems, see **ANSI/TPI1 Quality Criteria, DSB-89 and BCSI Building Component Safety Information** available from Truss Plate Institute, 218 N. Lee Street, Suite 312, Alexandria, VA 22314.

ENGINEERING BY
TRENCO
A MiTek Affiliate

818 Soundside Road
Edenton, NC 27932

Job 148.1869	Truss T3	Truss Type COMMON	Qty 3	Ply 1	148.1869.B.CVS	137519379
-----------------	-------------	----------------------	----------	----------	----------------	-----------

84 Components (Dunn), Dunn, NC - 28334,

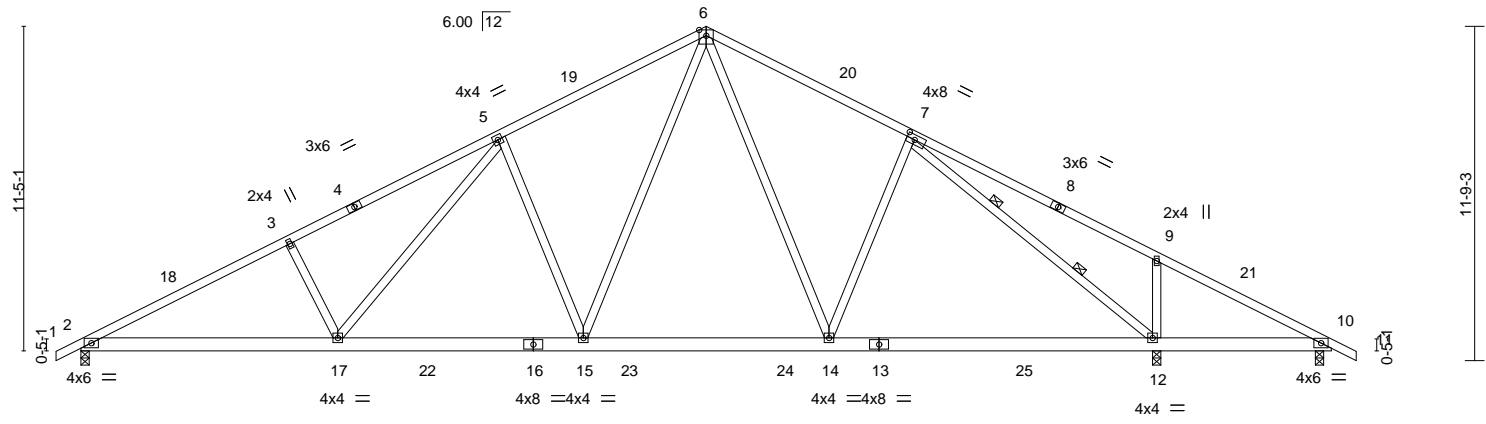
8.220 s Nov 16 2018 MiTek Industries, Inc. Fri Jun 21 06:20:31 2019 Page 1

ID:0ckUA53Thu5GUjjfQqCaouPyZBFs-m4vxG_j5Xh3XndeL9aU44NYHqnSkd5MHRroF9Az48c_

0-10-8	7-4-3	14-9-9	22-0-0	26-3-14	29-2-7	37-10-4	44-0-0	44-10-8
0-10-8	7-4-3	7-5-6	7-2-7	4-3-14	2-10-9	8-7-13	6-1-12	0-10-8

6x6 =

Scale = 1:81.1



9-0-7	17-8-2	22-0-0	26-3-14	37-10-4	43-8-12	44-0-0
9-0-7	8-7-11	4-3-14	4-3-14	11-6-6	5-10-8	0-3-4

Plate Offsets (X,Y)-- [7:0-3-6,0-2-1]

LOADING (psf)	SPACING-	2-0-0	CSI.	DEFL.	in (loc)	l/defl	L/d	PLATES	GRIP
TCLL 20.0	Plate Grip DOL	1.15	TC 0.83	Vert(LL)	-0.15	15-17	>999	MT20	244/190
TCDL 10.0	Lumber DOL	1.15	BC 0.65	Vert(CT)	-0.29	15-17	>999		
BCLL 0.0 *	Rep Stress Incr	YES	WB 0.95	Horz(CT)	0.07	12	n/a		
BCDL 10.0	Code IRC2015/TPI2014		Matrix-S						
								Weight: 275 lb	FT = 20%

LUMBER-	BRACING-
TOP CHORD 2x4 SP No.2	TOP CHORD Structural wood sheathing directly applied or 2-2-0 oc purlins.
BOT CHORD 2x6 SP No.2	BOT CHORD Rigid ceiling directly applied or 10-0-0 oc bracing, Except:
WEBS 2x4 SP No.3	6-0-0 oc bracing: 10-12.
	WEBS 2 Rows at 1/3 pts 7-12

REACTIONS. (lb/size) 2=1549/0-3-8, 12=1900/0-3-8, 10=170/0-3-8
 Max Horz 2=-191(LC 17)
 Max Uplift 2=-211(LC 12), 12=-242(LC 13), 10=-18(LC 13)
 Max Grav 2=1549(LC 1), 12=1953(LC 2), 10=208(LC 24)

FORCES. (lb) - Max. Comp./Max. Ten. - All forces 250 (lb) or less except when shown.
 TOP CHORD 2-3=-2792/358, 3-5=-2636/403, 5-6=-1936/359, 6-7=-1677/318
 BOT CHORD 2-17=-409/2433, 15-17=-225/1905, 14-15=-28/1316, 12-14=-29/1383
 WEBS 3-17=-373/236, 5-17=-136/687, 5-15=-729/319, 7-14=-127/257, 7-12=-1927/194,
 6-15=-216/978, 6-14=-116/422, 9-12=-475/284

NOTES-

- Unbalanced roof live loads have been considered for this design.
- Wind: ASCE 7-10; Vult=130mph (3-second gust) Vasd=103mph; TC DL=6.0psf; BCDL=6.0psf; h=25ft; Cat. II; Exp B; Enclosed; MWFRS (envelope) gable end zone and C-C Exterior(2) -0-10-8 to 3-6-5, Interior(1) 3-6-5 to 22-0-0, Exterior(2) 22-0-0 to 26-4-13, Interior(1) 26-4-13 to 44-10-8 zone; C-C for members and forces & MWFRS for reactions shown; Lumber DOL=1.60 plate grip DOL=1.60
- This truss has been designed for a 10.0 psf bottom chord live load nonconcurrent with any other live loads.
- * This truss has been designed for a live load of 20.0psf on the bottom chord in all areas where a rectangle 3-6-0 tall by 2-0-0 wide will fit between the bottom chord and any other members, with BCDL = 10.0psf.
- Provide mechanical connection (by others) of truss to bearing plate capable of withstanding 100 lb uplift at joint(s) except (jt=lb) 2=211.
- One RT7A USP connectors recommended to connect truss to bearing walls due to UPLIFT at jt(s) 12 and 10. This connection is for uplift only and does not consider lateral forces.



June 21, 2019

WARNING - Verify design parameters and READ NOTES ON THIS AND INCLUDED MITEK REFERENCE PAGE MII-7473 rev. 10/03/2015 BEFORE USE.

Design valid for use only with MiTek® connectors. This design is based only upon parameters shown, and is for an individual building component, not a truss system. Before use, the building designer must verify the applicability of design parameters and properly incorporate this design into the overall building design. Bracing indicated is to prevent buckling of individual truss web and/or chord members only. Additional temporary and permanent bracing is always required for stability and to prevent collapse with possible personal injury and property damage. For general guidance regarding the fabrication, storage, delivery, erection and bracing of trusses and truss systems, see **ANSI/TPI1 Quality Criteria, DSB-89 and BCSI Building Component Safety Information** available from Truss Plate Institute, 218 N. Lee Street, Suite 312, Alexandria, VA 22314.



818 Soundside Road
Edenton, NC 27932

Job 148.1869	Truss T4	Truss Type COMMON	Qty 3	Ply 1	148.1869.B.CVS	137519380
-----------------	-------------	----------------------	----------	----------	----------------	-----------

84 Components (Dunn), Dunn, NC - 28334,

8.220 s Nov 16 2018 MiTek Industries, Inc. Fri Jun 21 06:20:32 2019 Page 1

ID:0ckUA53Thu5GUjfQqCaouPyZBFs-EGTJKjil_BOPnDXjl?Jdb4SeBpUMYuQrVYogdz48bz



6x6 =

Scale = 1:78.9

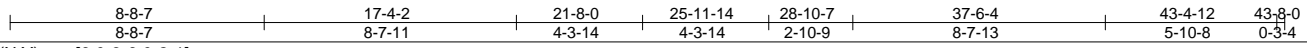
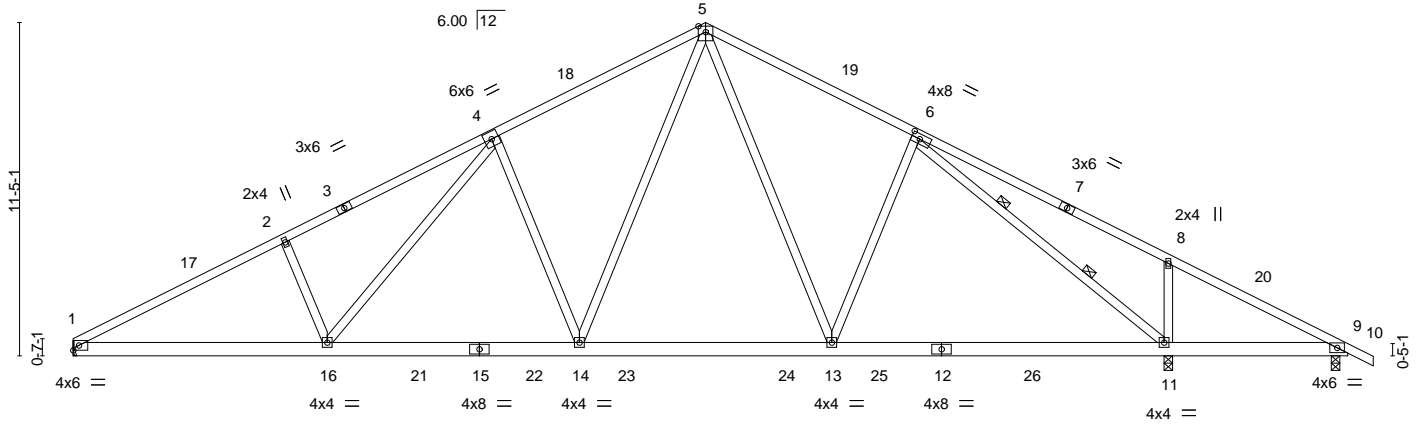


Plate Offsets (X, Y)-- [6:0-3-6,0-2-1]

LOADING (psf)	SPACING-	2-0-0	CSI.	DEFL.	in (loc)	l/defl	L/d	PLATES	GRIP
TCLL 20.0	Plate Grip DOL	1.15	TC 0.82	Vert(LL)	-0.15 14-16	>999	240	MT20	244/190
TCDL 10.0	Lumber DOL	1.15	BC 0.61	Vert(CT)	-0.27 14-16	>999	180		
BCLL 0.0 *	Rep Stress Incr	YES	WB 0.93	Horz(CT)	0.07 11	n/a	n/a		
BCDL 10.0	Code IRC2015/TPI2014		Matrix-S					Weight: 272 lb	FT = 20%

LUMBER-
 TOP CHORD 2x4 SP No.2 *Except*
 1-3: 2x4 SP No.1
 BOT CHORD 2x6 SP No.2
 WEBS 2x4 SP No.3

BRACING-
 TOP CHORD Structural wood sheathing directly applied or 2-2-0 oc purlins.
 BOT CHORD Rigid ceiling directly applied or 10-0-0 oc bracing, Except:
 6-0-0 oc bracing: 9-11.
 WEBS 2 Rows at 1/3 pts 6-11

REACTIONS. (lb/size) 1=1479/Mechanical, 11=1870/0-3-8, 9=188/0-3-8
 Max Horz 1=-198(LC 17)
 Max Uplift 1=-187(LC 12), 11=-242(LC 13), 9=-19(LC 13)
 Max Grav 1=1479(LC 1), 11=1929(LC 2), 9=219(LC 24)

FORCES. (lb) - Max. Comp./Max. Ten. - All forces 250 (lb) or less except when shown.
 TOP CHORD 1-2=-2734/345, 2-4=-2594/408, 4-5=-1926/361, 5-6=-1681/317
 BOT CHORD 1-16=-396/2368, 14-16=-221/1889, 13-14=-28/1315, 11-13=-30/1390
 WEBS 2-16=-348/239, 4-16=-144/661, 4-14=-705/314, 8-11=-475/284, 5-14=-212/961,
 5-13=-117/432, 6-13=-134/257, 6-11=-1890/194

- NOTES-**
- Unbalanced roof live loads have been considered for this design.
 - Wind: ASCE 7-10; Vult=130mph (3-second gust) Vasd=103mph; TCCL=6.0psf; BCDL=6.0psf; h=25ft; Cat. II; Exp B; Enclosed; MWFRS (envelope) gable end zone and C-C Exterior(2) 0-0-12 to 4-5-2, Interior(1) 4-5-2 to 21-8-0, Exterior(2) 21-8-0 to 26-0-6, Interior(1) 26-0-6 to 44-6-8 zone; C-C for members and forces & MWFRS for reactions shown; Lumber DOL=1.60 plate grip DOL=1.60
 - This truss has been designed for a 10.0 psf bottom chord live load nonconcurrent with any other live loads.
 - * This truss has been designed for a live load of 20.0psf on the bottom chord in all areas where a rectangle 3-6-0 tall by 2-0-0 wide will fit between the bottom chord and any other members, with BCDL = 10.0psf.
 - Refer to girder(s) for truss to truss connections.
 - Provide mechanical connection (by others) of truss to bearing plate capable of withstanding 100 lb uplift at joint(s) except (jt=lb) 1=187.
 - One RT7A USP connectors recommended to connect truss to bearing walls due to UPLIFT at jt(s) 11 and 9. This connection is for uplift only and does not consider lateral forces.



June 21, 2019

WARNING - Verify design parameters and READ NOTES ON THIS AND INCLUDED MITEK REFERENCE PAGE MII-7473 rev. 10/03/2015 BEFORE USE.
 Design valid for use only with MiTek® connectors. This design is based only upon parameters shown, and is for an individual building component, not a truss system. Before use, the building designer must verify the applicability of design parameters and properly incorporate this design into the overall building design. Bracing indicated is to prevent buckling of individual truss web and/or chord members only. Additional temporary and permanent bracing is always required for stability and to prevent collapse with possible personal injury and property damage. For general guidance regarding the fabrication, storage, delivery, erection and bracing of trusses and truss systems, see **ANSI/TPI1 Quality Criteria, DSB-89 and BCSI Building Component Safety Information** available from Truss Plate Institute, 218 N. Lee Street, Suite 312, Alexandria, VA 22314.

ENGINEERING BY
TRENCO
 A MiTek Affiliate
 818 Soundside Road
 Edenton, NC 27932

Job 148.1869	Truss T5	Truss Type COMMON	Qty 7	Ply 1	148.1869.B.CVS	137519381
-----------------	-------------	----------------------	----------	----------	----------------	-----------

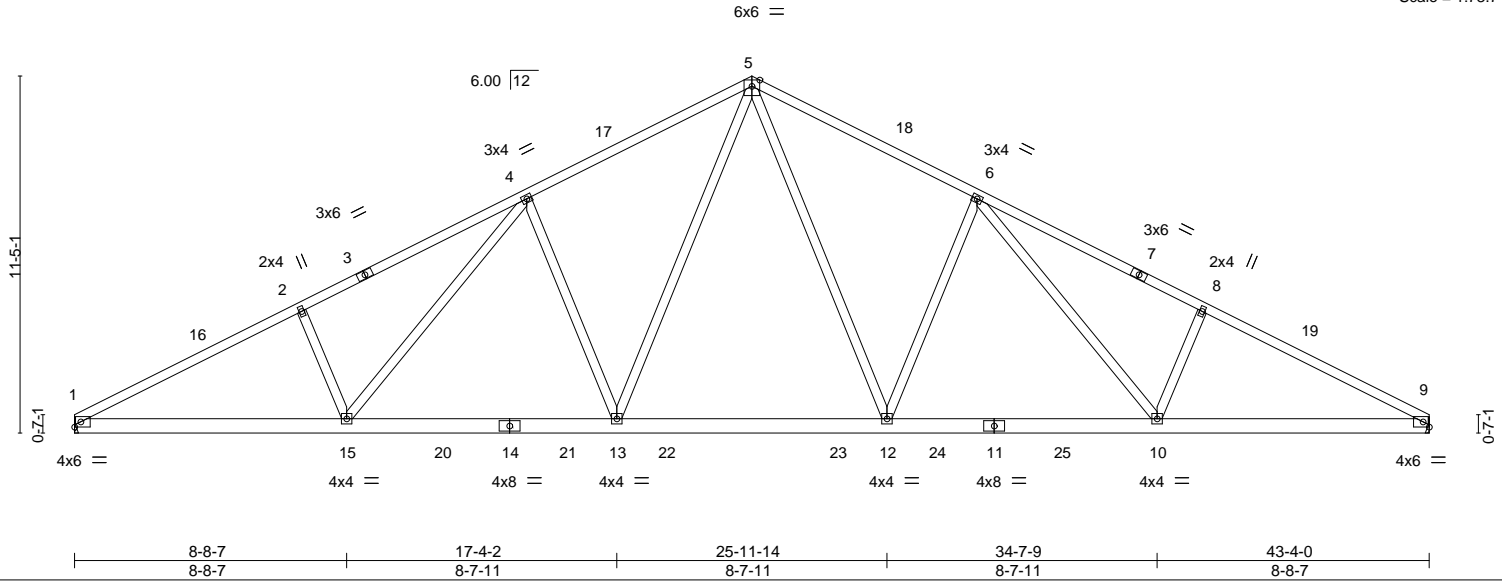
84 Components (Dunn), Dunn, NC - 28334,

8.220 s Nov 16 2018 MiTek Industries, Inc. Fri Jun 21 06:20:33 2019 Page 1

ID:0ckUA53Thu5GUjfqCaouPyZBFs-iS1hhgkL3JF1wokH?XY9odbJb8g50Vau9HMC3z48by



Scale = 1:73.7



LOADING (psf)	SPACING-	2-0-0	CSI.	DEFL.	in (loc)	l/defl	L/d	PLATES	GRIP
TCLL 20.0	Plate Grip DOL	1.15	TC 0.96	Vert(LL)	-0.20 12-13	>999	240	MT20	244/190
TCDL 10.0	Lumber DOL	1.15	BC 0.68	Vert(CT)	-0.39 12-13	>999	180		
BCLL 0.0 *	Rep Stress Incr	YES	WB 0.85	Horz(CT)	0.11 9	n/a	n/a		
BCDL 10.0	Code IRC2015/TPI2014		Matrix-S					Weight: 269 lb	FT = 20%

LUMBER-	BRACING-
TOP CHORD 2x4 SP No.2 *Except* 1-3,7-9: 2x4 SP No.1	TOP CHORD Structural wood sheathing directly applied.
BOT CHORD 2x6 SP No.2	BOT CHORD Rigid ceiling directly applied or 10-0-0 oc bracing.
WEBS 2x4 SP No.3	

REACTIONS. (lb/size) 1=1728/Mechanical, 9=1728/Mechanical
 Max Horz 1=-184(LC 17)
 Max Uplift 1=-203(LC 12), 9=-203(LC 13)

FORCES. (lb) - Max. Comp./Max. Ten. - All forces 250 (lb) or less except when shown.
 TOP CHORD 1-2=-3258/389, 2-4=-3117/447, 4-5=-2470/422, 5-6=-2470/422, 6-8=-3117/447,
 8-9=-3258/389
 BOT CHORD 1-15=-434/2812, 13-15=-256/2348, 12-13=-67/1778, 10-12=-138/2348, 9-10=-252/2812
 WEBS 5-12=-205/977, 6-12=-698/315, 6-10=-148/649, 8-10=-342/240, 5-13=-204/977,
 4-13=-698/315, 4-15=-147/649, 2-15=-342/240

- NOTES-**
- Unbalanced roof live loads have been considered for this design.
 - Wind: ASCE 7-10; Vult=130mph (3-second gust) Vasd=103mph; TC DL=6.0psf; BCDL=6.0psf; h=25ft; Cat. II; Exp B; Enclosed; MWFRS (envelope) gable end zone and C-C Exterior(2) 0-0-12 to 4-4-12, Interior(1) 4-4-12 to 21-8-0, Exterior(2) 21-8-0 to 26-0-0, Interior(1) 26-0-0 to 43-3-4 zone; C-C for members and forces & MWFRS for reactions shown; Lumber DOL=1.60 plate grip DOL=1.60
 - This truss has been designed for a 10.0 psf bottom chord live load nonconcurrent with any other live loads.
 - * This truss has been designed for a live load of 20.0psf on the bottom chord in all areas where a rectangle 3-6-0 tall by 2-0-0 wide will fit between the bottom chord and any other members, with BCDL = 10.0psf.
 - Refer to girder(s) for truss to truss connections.
 - Provide mechanical connection (by others) of truss to bearing plate capable of withstanding 100 lb uplift at joint(s) except (jt=lb) 1=203, 9=203.



June 21, 2019

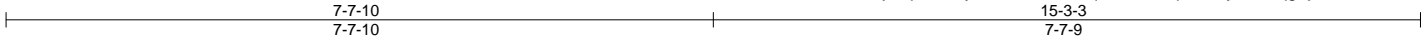
<p>WARNING - Verify design parameters and READ NOTES ON THIS AND INCLUDED MITEK REFERENCE PAGE MII-7473 rev. 10/03/2015 BEFORE USE.</p> <p>Design valid for use only with MiTek® connectors. This design is based only upon parameters shown, and is for an individual building component, not a truss system. Before use, the building designer must verify the applicability of design parameters and properly incorporate this design into the overall building design. Bracing indicated is to prevent buckling of individual truss web and/or chord members only. Additional temporary and permanent bracing is always required for stability and to prevent collapse with possible personal injury and property damage. For general guidance regarding the fabrication, storage, delivery, erection and bracing of trusses and truss systems, see ANSI/TP1 Quality Criteria, DSB-89 and BCSI Building Component Safety Information available from Truss Plate Institute, 218 N. Lee Street, Suite 312, Alexandria, VA 22314.</p>	<p>818 Soundside Road Edenton, NC 27932</p>
--	---

Job 148.1869	Truss V1	Truss Type GABLE	Qty 1	Ply 1	148.1869.B.CVS	137519382
-----------------	-------------	---------------------	----------	----------	----------------	-----------

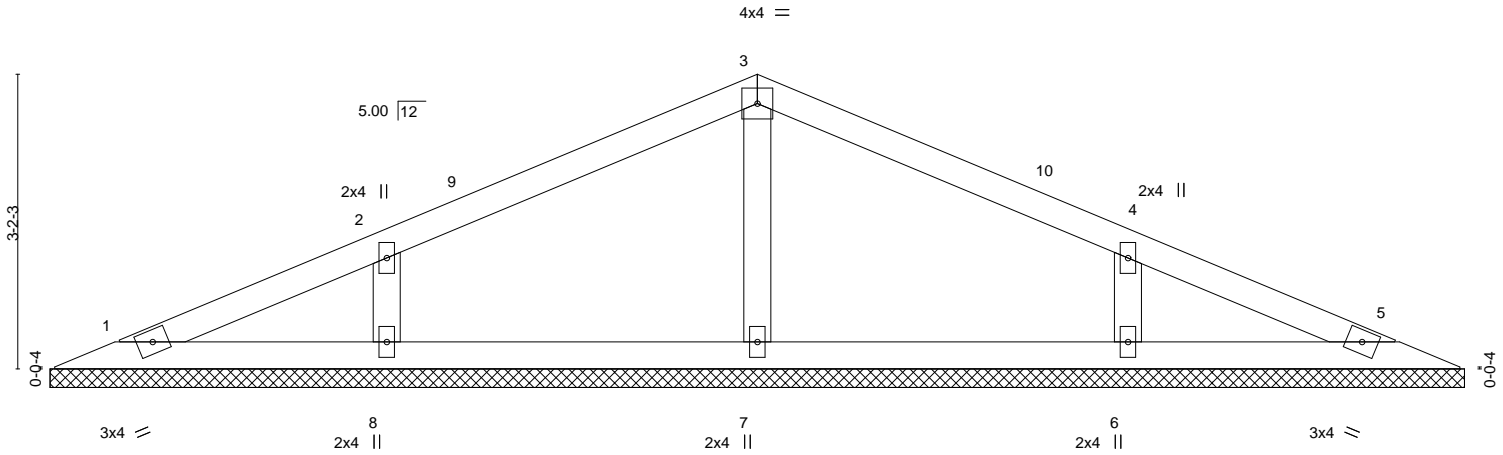
84 Components (Dunn), Dunn, NC - 28334,

8.220 s Nov 16 2018 MiTek Industries, Inc. Fri Jun 21 06:20:34 2019 Page 1

ID:0ckUA53Thu5GUjfQqCaouPyZBFs-Aeb3u0lzqcR6e4Nwqi2ni0AyE_dmqgAj7o1vIvZ48bx



Scale = 1:24.9



15-3-3
15-3-3

Plate Offsets (X,Y)-- [4:0-0-0,0-0-0]

LOADING (psf)	SPACING-	2-0-0	CSI.	DEFL.	in (loc)	l/defl	L/d	PLATES	GRIP
TCLL 20.0	Plate Grip DOL	1.15	TC 0.18	Vert(LL)	n/a	-	n/a	MT20	244/190
TCDL 10.0	Lumber DOL	1.15	BC 0.11	Vert(CT)	n/a	-	n/a		
BCLL 0.0 *	Rep Stress Incr	YES	WB 0.05	Horz(CT)	0.00	5	n/a		
BCDL 10.0	Code IRC2015/TPI2014		Matrix-S					Weight: 51 lb	FT = 20%

LUMBER-
TOP CHORD 2x4 SP No.2
BOT CHORD 2x4 SP No.2
OTHERS 2x4 SP No.3

BRACING-
TOP CHORD Structural wood sheathing directly applied or 6-0-0 oc purlins.
BOT CHORD Rigid ceiling directly applied or 10-0-0 oc bracing.

REACTIONS. All bearings 15-3-3.
(lb) - Max Horz 1=48(LC 13)
Max Uplift All uplift 100 lb or less at joint(s) 1, 5, 8, 6
Max Grav All reactions 250 lb or less at joint(s) 1, 5 except 7=288(LC 1), 8=327(LC 23), 6=327(LC 24)

FORCES. (lb) - Max. Comp./Max. Ten. - All forces 250 (lb) or less except when shown.

NOTES-

- Unbalanced roof live loads have been considered for this design.
- Wind: ASCE 7-10; Vult=130mph (3-second gust) Vasd=103mph; TCDL=6.0psf; BCDL=6.0psf; h=25ft; Cat. II; Exp B; Enclosed; MWFRS (envelope) gable end zone and C-C Exterior(2) 0-9-1 to 3-7-10, Interior(1) 3-7-10 to 7-7-10, Exterior(2) 7-7-10 to 10-7-10, Interior(1) 10-7-10 to 14-6-2 zone; C-C for members and forces & MWFRS for reactions shown; Lumber DOL=1.60 plate grip DOL=1.60
- Gable requires continuous bottom chord bearing.
- This truss has been designed for a 10.0 psf bottom chord live load nonconcurrent with any other live loads.
- * This truss has been designed for a live load of 20.0psf on the bottom chord in all areas where a rectangle 3-6-0 tall by 2-0-0 wide will fit between the bottom chord and any other members.
- Provide mechanical connection (by others) of truss to bearing plate capable of withstanding 100 lb uplift at joint(s) 1, 5, 8, 6.



June 21, 2019

WARNING - Verify design parameters and READ NOTES ON THIS AND INCLUDED MITEK REFERENCE PAGE MII-7473 rev. 10/03/2015 BEFORE USE.

Design valid for use only with MiTek® connectors. This design is based only upon parameters shown, and is for an individual building component, not a truss system. Before use, the building designer must verify the applicability of design parameters and properly incorporate this design into the overall building design. Bracing indicated is to prevent buckling of individual truss web and/or chord members only. Additional temporary and permanent bracing is always required for stability and to prevent collapse with possible personal injury and property damage. For general guidance regarding the fabrication, storage, delivery, erection and bracing of trusses and truss systems, see **ANSI/TPI1 Quality Criteria, DSB-89 and BCSI Building Component Safety Information** available from Truss Plate Institute, 218 N. Lee Street, Suite 312, Alexandria, VA 22314.



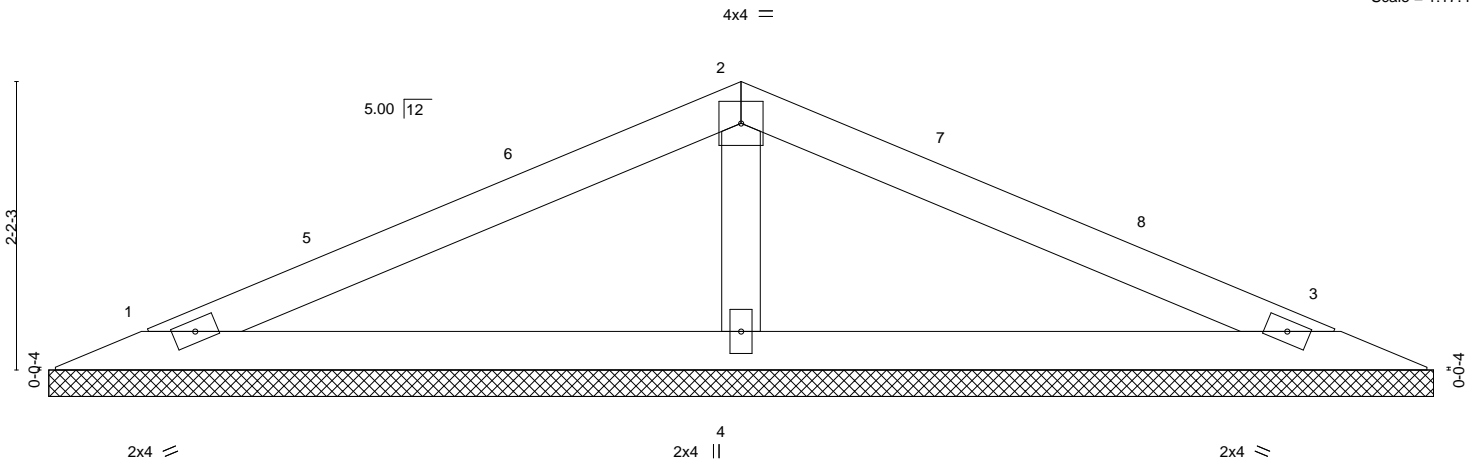
818 Soundside Road
Edenton, NC 27932

Job 148.1869	Truss V2	Truss Type GABLE	Qty 1	Ply 1	148.1869.B.CVS	137519383
-----------------	-------------	---------------------	----------	----------	----------------	-----------

84 Components (Dunn), Dunn, NC - 28334,

8.220 s Nov 16 2018 MiTek Industries, Inc. Fri Jun 21 06:20:35 2019 Page 1

ID:0ckUA53Thu5GUJfQqCaouPyZBFs-er8S6MmbvZzGEy6OQZ0EDI5OOxhZ7KtMSmSHxz48bw



LOADING (psf)	SPACING-	2-0-0	CSI.	DEFL.	in (loc)	l/defl	L/d	PLATES	GRIP	
TCLL 20.0	Plate Grip DOL	1.15	TC 0.28	Vert(LL)	n/a	-	n/a	999	MT20	244/190
TCDL 10.0	Lumber DOL	1.15	BC 0.20	Vert(CT)	n/a	-	n/a	999		
BCLL 0.0 *	Rep Stress Incr	YES	WB 0.06	Horz(CT)	0.00	3	n/a	n/a		
BCDL 10.0	Code IRC2015/TPI2014		Matrix-S						Weight: 32 lb	FT = 20%

LUMBER-
 TOP CHORD 2x4 SP No.2
 BOT CHORD 2x4 SP No.2
 OTHERS 2x4 SP No.3

BRACING-
 TOP CHORD Structural wood sheathing directly applied or 6-0-0 oc purlins.
 BOT CHORD Rigid ceiling directly applied or 10-0-0 oc bracing.

REACTIONS. (lb/size) 1=158/10-5-10, 3=158/10-5-10, 4=401/10-5-10
 Max Horz 1=-31(LC 17)
 Max Uplift 1=-33(LC 12), 3=-38(LC 13), 4=-21(LC 12)
 Max Grav 1=161(LC 23), 3=161(LC 24), 4=401(LC 1)

FORCES. (lb) - Max. Comp./Max. Ten. - All forces 250 (lb) or less except when shown.
WEBS 2-4=-270/126

NOTES-

- Unbalanced roof live loads have been considered for this design.
- Wind: ASCE 7-10; Vult=130mph (3-second gust) Vasd=103mph; TC DL=6.0psf; BC DL=6.0psf; h=25ft; Cat. II; Exp B; Enclosed; MWFRS (envelope) gable end zone and C-C Exterior(2) 0-9-1 to 3-9-1, Interior(1) 3-9-1 to 5-2-13, Exterior(2) 5-2-13 to 8-2-13, Interior(1) 8-2-13 to 9-8-9 zone; C-C for members and forces & MWFRS for reactions shown; Lumber DOL=1.60 plate grip DOL=1.60
- Gable requires continuous bottom chord bearing.
- This truss has been designed for a 10.0 psf bottom chord live load nonconcurrent with any other live loads.
- * This truss has been designed for a live load of 20.0psf on the bottom chord in all areas where a rectangle 3-6-0 tall by 2-0-0 wide will fit between the bottom chord and any other members.
- Provide mechanical connection (by others) of truss to bearing plate capable of withstanding 100 lb uplift at joint(s) 1, 3, 4.



June 21, 2019

WARNING - Verify design parameters and READ NOTES ON THIS AND INCLUDED MITEK REFERENCE PAGE MII-7473 rev. 10/03/2015 BEFORE USE.

Design valid for use only with MiTek® connectors. This design is based only upon parameters shown, and is for an individual building component, not a truss system. Before use, the building designer must verify the applicability of design parameters and properly incorporate this design into the overall building design. Bracing indicated is to prevent buckling of individual truss web and/or chord members only. Additional temporary and permanent bracing is always required for stability and to prevent collapse with possible personal injury and property damage. For general guidance regarding the fabrication, storage, delivery, erection and bracing of trusses and truss systems, see **ANSI/TPI1 Quality Criteria, DSB-89 and BCSI Building Component Safety Information** available from Truss Plate Institute, 218 N. Lee Street, Suite 312, Alexandria, VA 22314.



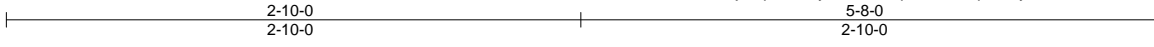
818 Soundside Road
 Edenton, NC 27932

Job 148.1869	Truss V3	Truss Type VALLEY	Qty 1	Ply 1	148.1869.B.CVS	137519384
-----------------	-------------	----------------------	----------	----------	----------------	-----------

84 Components (Dunn), Dunn, NC - 28334,

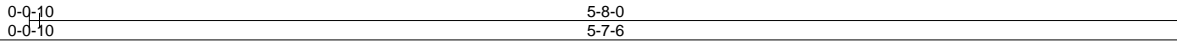
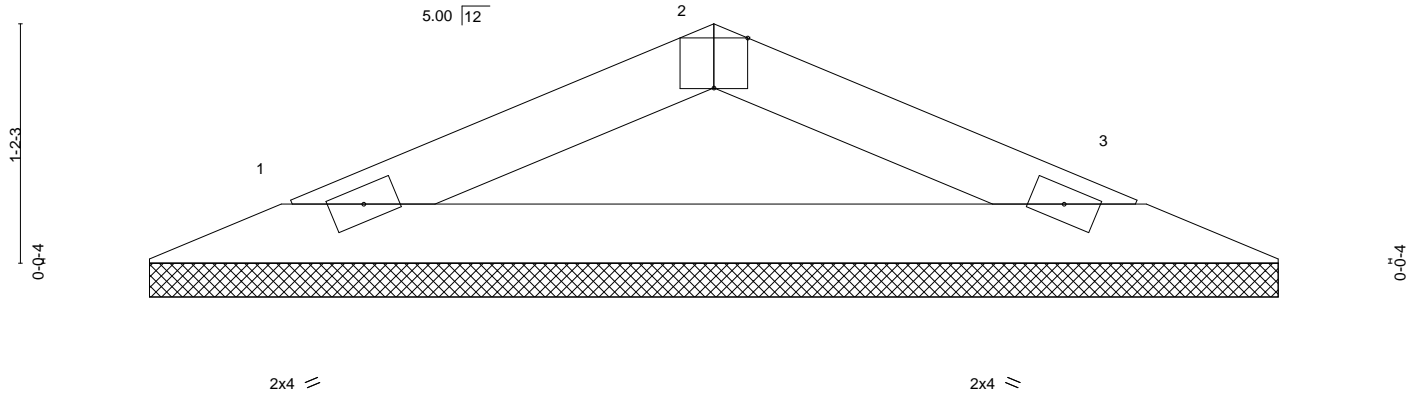
8.220 s Nov 16 2018 MiTek Industries, Inc. Fri Jun 21 06:20:36 2019 Page 1

ID:0ckUA53Thu5GUjfqCaouPyZBFs-71iqJinEMDhquOXly74FnRFJNoGclaR0a6W0pOz48bv



3x4 =

Scale = 1:11.4



LOADING (psf)	SPACING-	CSI.	DEFL.	PLATES	GRIP
TCLL 20.0	2-0-0	TC 0.07	in (loc) l/defl L/d	MT20	244/190
TCDL 10.0	Plate Grip DOL 1.15	BC 0.22	Vert(LL) n/a - n/a 999		
BCLL 0.0 *	Lumber DOL 1.15	WB 0.00	Vert(CT) n/a - n/a 999		
BCDL 10.0	Rep Stress Incr YES	Matrix-P	Horz(CT) 0.00 3 n/a n/a		
	Code IRC2015/TPI2014			Weight: 15 lb	FT = 20%

LUMBER-
TOP CHORD 2x4 SP No.2
BOT CHORD 2x4 SP No.2

BRACING-
TOP CHORD Structural wood sheathing directly applied or 5-8-0 oc purlins.
BOT CHORD Rigid ceiling directly applied or 10-0-0 oc bracing.

REACTIONS. (lb/size) 1=166/5-6-13, 3=166/5-6-13
Max Horz 1=15(LC 12)
Max Uplift 1=-20(LC 12), 3=-20(LC 13)

FORCES. (lb) - Max. Comp./Max. Ten. - All forces 250 (lb) or less except when shown.

NOTES-

- Unbalanced roof live loads have been considered for this design.
- Wind: ASCE 7-10; Vult=130mph (3-second gust) Vasd=103mph; TCDL=6.0psf; BCDL=6.0psf; h=25ft; Cat. II; Exp B; Enclosed; MWFRS (envelope) gable end zone and C-C Exterior(2) zone; C-C for members and forces & MWFRS for reactions shown; Lumber DOL=1.60 plate grip DOL=1.60
- Gable requires continuous bottom chord bearing.
- This truss has been designed for a 10.0 psf bottom chord live load nonconcurrent with any other live loads.
- * This truss has been designed for a live load of 20.0psf on the bottom chord in all areas where a rectangle 3-6-0 tall by 2-0-0 wide will fit between the bottom chord and any other members.
- Provide mechanical connection (by others) of truss to bearing plate capable of withstanding 100 lb uplift at joint(s) 1, 3.



June 21, 2019

WARNING - Verify design parameters and READ NOTES ON THIS AND INCLUDED MITEK REFERENCE PAGE MII-7473 rev. 10/03/2015 BEFORE USE.

Design valid for use only with MiTek® connectors. This design is based only upon parameters shown, and is for an individual building component, not a truss system. Before use, the building designer must verify the applicability of design parameters and properly incorporate this design into the overall building design. Bracing indicated is to prevent buckling of individual truss web and/or chord members only. Additional temporary and permanent bracing is always required for stability and to prevent collapse with possible personal injury and property damage. For general guidance regarding the fabrication, storage, delivery, erection and bracing of trusses and truss systems, see **ANSI/TPI1 Quality Criteria, DSB-89 and BCSI Building Component Safety Information** available from Truss Plate Institute, 218 N. Lee Street, Suite 312, Alexandria, VA 22314.



818 Soundside Road
Edenton, NC 27932

Job 148.1869	Truss V4	Truss Type GABLE	Qty 1	Ply 1	148.1869.B.CVS	137519385
-----------------	-------------	---------------------	----------	----------	----------------	-----------

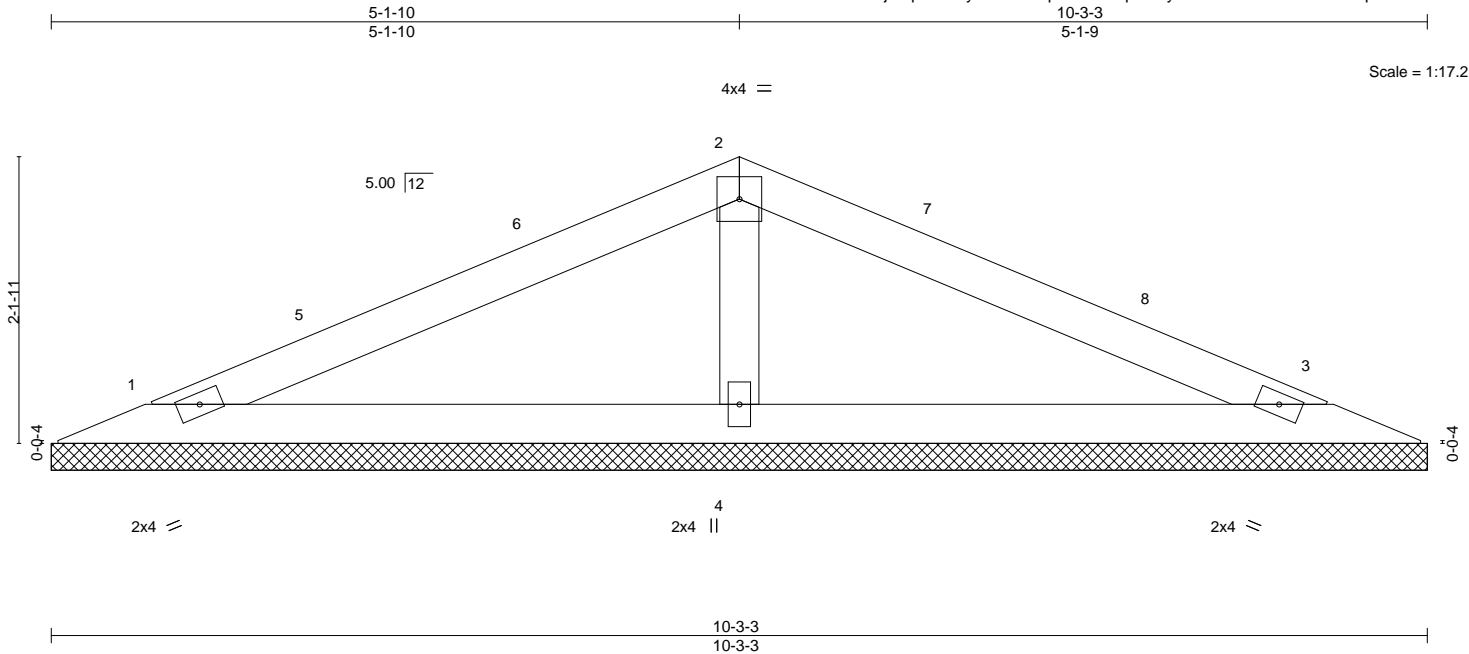
84 Components (Dunn), Dunn, NC - 28334,

8.220 s Nov 16 2018 MiTek Industries, Inc. Fri Jun 21 06:20:36 2019 Page 1

ID:0ckUA53Thu5GUjfqCaouPyZBFs-71iqJinEMDhquOXly74FnRFLLoH3lab0a6W0pOz48bv

10-3-3
5-1-9

Scale = 1:17.2



LOADING (psf)	SPACING-	2-0-0	CSI.	DEFL.	in (loc)	l/defl	L/d	PLATES	GRIP	
TCLL 20.0	Plate Grip DOL	1.15	TC 0.27	Vert(LL)	n/a	-	n/a	999	MT20	244/190
TCDL 10.0	Lumber DOL	1.15	BC 0.19	Vert(CT)	n/a	-	n/a	999		
BCLL 0.0 *	Rep Stress Incr	YES	WB 0.05	Horz(CT)	0.00	3	n/a	n/a		
BCDL 10.0	Code IRC2015/TPI2014		Matrix-S						Weight: 32 lb	FT = 20%

LUMBER-
TOP CHORD 2x4 SP No.2
BOT CHORD 2x4 SP No.2
OTHERS 2x4 SP No.3

BRACING-
TOP CHORD Structural wood sheathing directly applied or 6-0-0 oc purlins.
BOT CHORD Rigid ceiling directly applied or 10-0-0 oc bracing.

REACTIONS. (lb/size) 1=154/10-3-3, 3=154/10-3-3, 4=392/10-3-3
Max Horz 1=31(LC 12)
Max Uplift 1=-32(LC 12), 3=-37(LC 13), 4=-21(LC 12)
Max Grav 1=158(LC 23), 3=158(LC 24), 4=392(LC 1)

FORCES. (lb) - Max. Comp./Max. Ten. - All forces 250 (lb) or less except when shown.
WEBS 2-4=-264/126

NOTES-

- Unbalanced roof live loads have been considered for this design.
- Wind: ASCE 7-10; Vult=130mph (3-second gust) Vasd=103mph; TCDL=6.0psf; BCDL=6.0psf; h=25ft; Cat. II; Exp B; Enclosed; MWFRS (envelope) gable end zone and C-C Exterior(2) 0-9-1 to 3-9-1, Interior(1) 3-9-1 to 5-1-10, Exterior(2) 5-1-10 to 8-1-10, Interior(1) 8-1-10 to 9-6-2 zone; C-C for members and forces & MWFRS for reactions shown; Lumber DOL=1.60 plate grip DOL=1.60
- Gable requires continuous bottom chord bearing.
- This truss has been designed for a 10.0 psf bottom chord live load nonconcurrent with any other live loads.
- * This truss has been designed for a live load of 20.0psf on the bottom chord in all areas where a rectangle 3-6-0 tall by 2-0-0 wide will fit between the bottom chord and any other members.
- Provide mechanical connection (by others) of truss to bearing plate capable of withstanding 100 lb uplift at joint(s) 1, 3, 4.



June 21, 2019

WARNING - Verify design parameters and READ NOTES ON THIS AND INCLUDED MITEK REFERENCE PAGE MII-7473 rev. 10/03/2015 BEFORE USE.

Design valid for use only with MiTek® connectors. This design is based only upon parameters shown, and is for an individual building component, not a truss system. Before use, the building designer must verify the applicability of design parameters and properly incorporate this design into the overall building design. Bracing indicated is to prevent buckling of individual truss web and/or chord members only. Additional temporary and permanent bracing is always required for stability and to prevent collapse with possible personal injury and property damage. For general guidance regarding the fabrication, storage, delivery, erection and bracing of trusses and truss systems, see **ANSI/TPI1 Quality Criteria, DSB-89 and BCSI Building Component Safety Information** available from Truss Plate Institute, 218 N. Lee Street, Suite 312, Alexandria, VA 22314.



818 Soundside Road
Edenton, NC 27932

Job 148.1869	Truss V5	Truss Type VALLEY	Qty 1	Ply 1	148.1869.B.CVS	137519386
-----------------	-------------	----------------------	----------	----------	----------------	-----------

84 Components (Dunn), Dunn, NC - 28334,

8.220 s Nov 16 2018 MiTek Industries, Inc. Fri Jun 21 06:20:37 2019 Page 1

ID:0ckUA53Thu5GUJfQqCaouPyZBFs-bDGCX2ns7XphVY6VWrbUKeoUECca11h9pmFZLqz48bu



3x4 =

Scale = 1:11.2

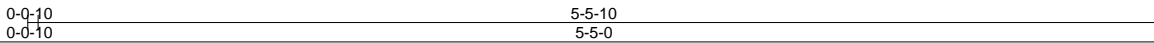
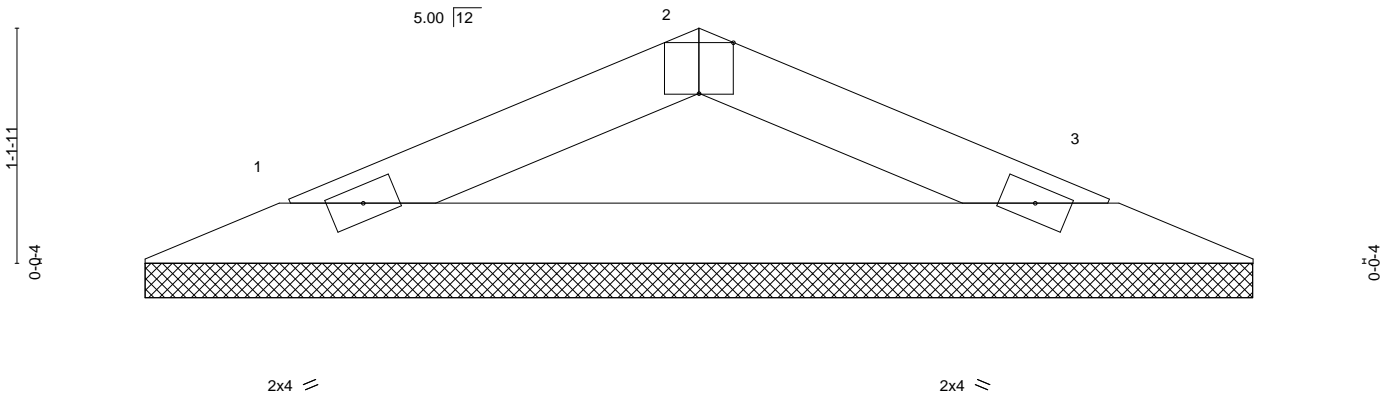


Plate Offsets (X,Y)--	[2:0-2-0,Edge]								
LOADING (psf)	SPACING-	2-0-0	CSI.	DEFL.	in (loc)	l/defl	L/d	PLATES	GRIP
TCLL 20.0	Plate Grip DOL 1.15		TC 0.07	Vert(LL) n/a	-	n/a	999	MT20	244/190
TCDL 10.0	Lumber DOL 1.15		BC 0.20	Vert(CT) n/a	-	n/a	999		
BCLL 0.0 *	Rep Stress Incr YES		WB 0.00	Horz(CT) 0.00	3	n/a	n/a		
BCDL 10.0	Code IRC2015/TPI2014		Matrix-P					Weight: 14 lb	FT = 20%

LUMBER-
TOP CHORD 2x4 SP No.2
BOT CHORD 2x4 SP No.2

BRACING-
TOP CHORD Structural wood sheathing directly applied or 5-5-10 oc purlins.
BOT CHORD Rigid ceiling directly applied or 10-0-0 oc bracing.

REACTIONS. (lb/size) 1=158/5-4-6, 3=158/5-4-6
Max Horz 1=14(LC 12)
Max Uplift 1=-19(LC 12), 3=-19(LC 13)

FORCES. (lb) - Max. Comp./Max. Ten. - All forces 250 (lb) or less except when shown.

NOTES-

- Unbalanced roof live loads have been considered for this design.
- Wind: ASCE 7-10; Vult=130mph (3-second gust) Vasd=103mph; TCDL=6.0psf; BCDL=6.0psf; h=25ft; Cat. II; Exp B; Enclosed; MWFRS (envelope) gable end zone and C-C Exterior(2) zone; C-C for members and forces & MWFRS for reactions shown; Lumber DOL=1.60 plate grip DOL=1.60
- This truss has been designed for a 10.0 psf bottom chord live load nonconcurrent with any other live loads.
- * This truss has been designed for a live load of 20.0psf on the bottom chord in all areas where a rectangle 3-6-0 tall by 2-0-0 wide will fit between the bottom chord and any other members.
- Provide mechanical connection (by others) of truss to bearing plate capable of withstanding 100 lb uplift at joint(s) 1, 3.
- Non Standard bearing condition. Review required.



June 21, 2019

WARNING - Verify design parameters and READ NOTES ON THIS AND INCLUDED MITEK REFERENCE PAGE MII-7473 rev. 10/03/2015 BEFORE USE.

Design valid for use only with MiTek® connectors. This design is based only upon parameters shown, and is for an individual building component, not a truss system. Before use, the building designer must verify the applicability of design parameters and properly incorporate this design into the overall building design. Bracing indicated is to prevent buckling of individual truss web and/or chord members only. Additional temporary and permanent bracing is always required for stability and to prevent collapse with possible personal injury and property damage. For general guidance regarding the fabrication, storage, delivery, erection and bracing of trusses and truss systems, see **ANSI/TPI1 Quality Criteria, DSB-89 and BCSI Building Component Safety Information** available from Truss Plate Institute, 218 N. Lee Street, Suite 312, Alexandria, VA 22314.



818 Soundside Road
Edenton, NC 27932

Job 148.1869	Truss V6	Truss Type GABLE	Qty 1	Ply 1	148.1869.B.CVS	137519387
-----------------	-------------	---------------------	----------	----------	----------------	-----------

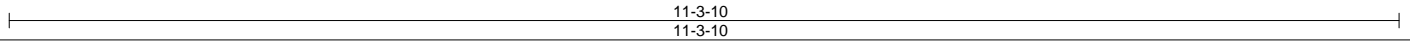
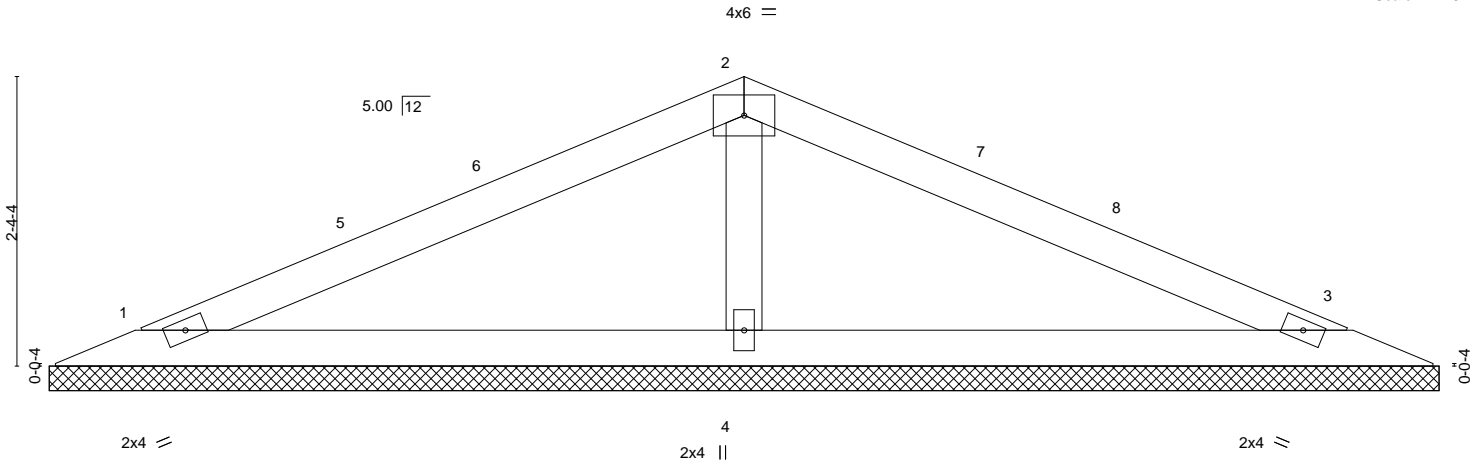
84 Components (Dunn), Dunn, NC - 28334,

8.220 s Nov 16 2018 MiTek Industries, Inc. Fri Jun 21 06:20:38 2019 Page 1

ID:OckUA53Thu5GUjfqQCaouPyZBFs-3QqakOoUuqxY7ihh3Y6jssKahcyomUzJ2Q?6uGz48bt



Scale = 1:18.7



LOADING (psf)	SPACING-	2-0-0	CSI.	DEFL.	in (loc)	l/defl	L/d	PLATES	GRIP
TCLL 20.0	Plate Grip DOL	1.15	TC 0.34	Vert(LL)	n/a	-	n/a	MT20	244/190
TCDL 10.0	Lumber DOL	1.15	BC 0.24	Vert(CT)	n/a	-	n/a		
BCLL 0.0 *	Rep Stress Incr	YES	WB 0.06	Horz(CT)	0.00	3	n/a		
BCDL 10.0	Code IRC2015/TPI2014		Matrix-S					Weight: 35 lb	FT = 20%

LUMBER-
TOP CHORD 2x4 SP No.2
BOT CHORD 2x4 SP No.2
OTHERS 2x4 SP No.3

BRACING-
TOP CHORD Structural wood sheathing directly applied or 6-0-0 oc purlins.
BOT CHORD Rigid ceiling directly applied or 10-0-0 oc bracing.

REACTIONS. (lb/size) 1=172/11-3-10, 3=173/11-3-10, 4=439/11-3-10
Max Horz 1=34(LC 16)
Max Uplift 1=-36(LC 12), 3=-42(LC 13), 4=-23(LC 12)
Max Grav 1=176(LC 23), 3=177(LC 24), 4=439(LC 1)

FORCES. (lb) - Max. Comp./Max. Ten. - All forces 250 (lb) or less except when shown.
WEBS 2-4=-295/130

NOTES-

- Unbalanced roof live loads have been considered for this design.
- Wind: ASCE 7-10; Vult=130mph (3-second gust) Vasd=103mph; TCDL=6.0psf; BCDL=6.0psf; h=25ft; Cat. II; Exp B; Enclosed; MWFRS (envelope) gable end zone and C-C Exterior(2) 0-9-1 to 3-9-1, Interior(1) 3-9-1 to 5-7-13, Exterior(2) 5-7-13 to 8-7-13, Interior(1) 8-7-13 to 10-6-9 zone; C-C for members and forces & MWFRS for reactions shown; Lumber DOL=1.60 plate grip DOL=1.60
- Gable requires continuous bottom chord bearing.
- This truss has been designed for a 10.0 psf bottom chord live load nonconcurrent with any other live loads.
- * This truss has been designed for a live load of 20.0psf on the bottom chord in all areas where a rectangle 3-6-0 tall by 2-0-0 wide will fit between the bottom chord and any other members.
- Provide mechanical connection (by others) of truss to bearing plate capable of withstanding 100 lb uplift at joint(s) 1, 3, 4.



June 21, 2019

WARNING - Verify design parameters and READ NOTES ON THIS AND INCLUDED MITEK REFERENCE PAGE MII-7473 rev. 10/03/2015 BEFORE USE.

Design valid for use only with MiTek® connectors. This design is based only upon parameters shown, and is for an individual building component, not a truss system. Before use, the building designer must verify the applicability of design parameters and properly incorporate this design into the overall building design. Bracing indicated is to prevent buckling of individual truss web and/or chord members only. Additional temporary and permanent bracing is always required for stability and to prevent collapse with possible personal injury and property damage. For general guidance regarding the fabrication, storage, delivery, erection and bracing of trusses and truss systems, see **ANSI/TP1 Quality Criteria, DSB-89 and BCSI Building Component Safety Information** available from Truss Plate Institute, 218 N. Lee Street, Suite 312, Alexandria, VA 22314.



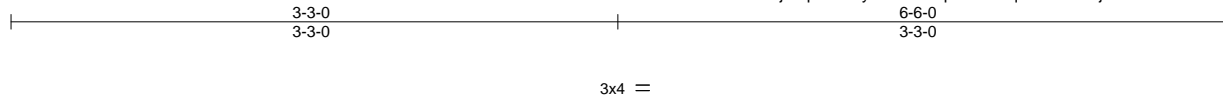
818 Soundside Road
Edenton, NC 27932

Job 148.1869	Truss V7	Truss Type VALLEY	Qty 1	Ply 1	148.1869.B.CVS	137519388
-----------------	-------------	----------------------	----------	----------	----------------	-----------

84 Components (Dunn), Dunn, NC - 28334,

8.220 s Nov 16 2018 MiTek Industries, Inc. Fri Jun 21 06:20:38 2019 Page 1

ID:0ckUA53Thu5GUjfQqCaouPyZBFs-3QqakOoUuqxY7ihh3Y6jssKelcwSmUxJ2Q?6uGz48bt



Scale = 1:12.3

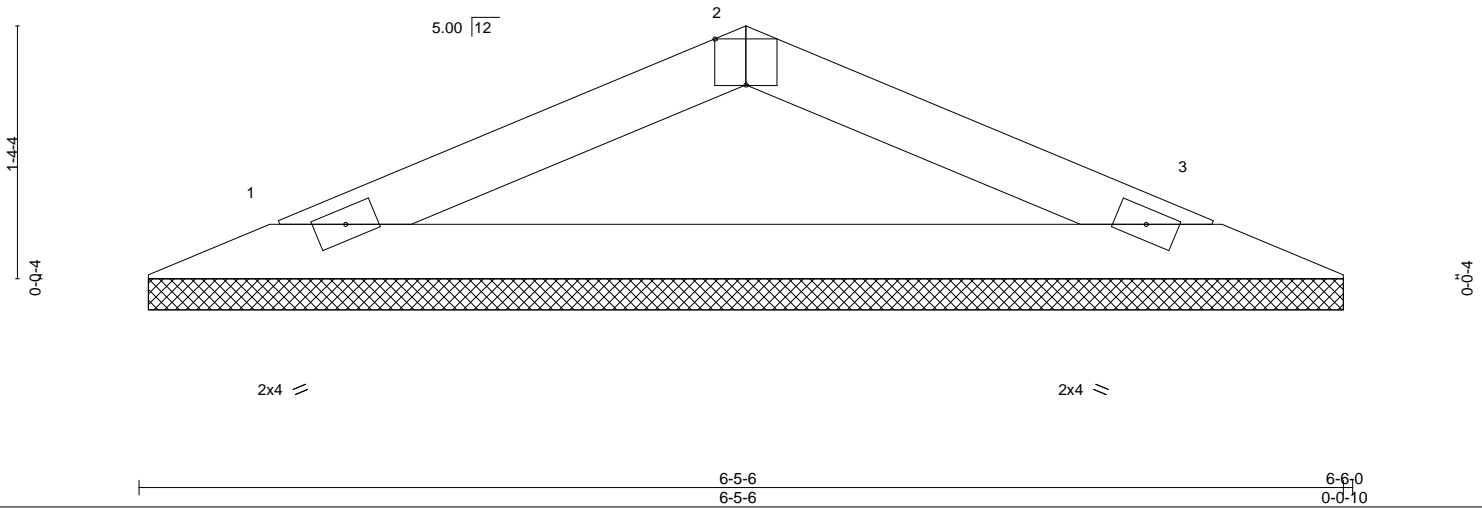


Plate Offsets (X,Y)--	[2:0-2-0,Edge]									
LOADING (psf)	SPACING-	2-0-0	CSI.	DEFL.	in	(loc)	l/defl	L/d	PLATES	GRIP
TCLL 20.0	Plate Grip DOL 1.15		TC 0.11	Vert(LL) n/a	n/a	-	n/a	999	MT20	244/190
TCDL 10.0	Lumber DOL 1.15		BC 0.32	Vert(CT) n/a	n/a	-	n/a	999		
BCLL 0.0 *	Rep Stress Incr YES		WB 0.00	Horz(CT) 0.00	0.00	3	n/a	n/a		
BCDL 10.0	Code IRC2015/TPI2014		Matrix-P						Weight: 18 lb	FT = 20%

LUMBER-		BRACING-	
TOP CHORD 2x4 SP No.2		TOP CHORD	Structural wood sheathing directly applied or 6-0-0 oc purlins.
BOT CHORD 2x4 SP No.2		BOT CHORD	Rigid ceiling directly applied or 10-0-0 oc bracing.

REACTIONS. (lb/size) 1=200/6-4-13, 3=200/6-4-13
 Max Horz 1=18(LC 16)
 Max Uplift 1=-24(LC 12), 3=-24(LC 13)

FORCES. (lb) - Max. Comp./Max. Ten. - All forces 250 (lb) or less except when shown.

NOTES-

- Unbalanced roof live loads have been considered for this design.
- Wind: ASCE 7-10; Vult=130mph (3-second gust) Vasd=103mph; TCDL=6.0psf; BCDL=6.0psf; h=25ft; Cat. II; Exp B; Enclosed; MWFRS (envelope) gable end zone and C-C Exterior(2) zone; C-C for members and forces & MWFRS for reactions shown; Lumber DOL=1.60 plate grip DOL=1.60
- Gable requires continuous bottom chord bearing.
- This truss has been designed for a 10.0 psf bottom chord live load nonconcurrent with any other live loads.
- * This truss has been designed for a live load of 20.0psf on the bottom chord in all areas where a rectangle 3-6-0 tall by 2-0-0 wide will fit between the bottom chord and any other members.
- Provide mechanical connection (by others) of truss to bearing plate capable of withstanding 100 lb uplift at joint(s) 1, 3.



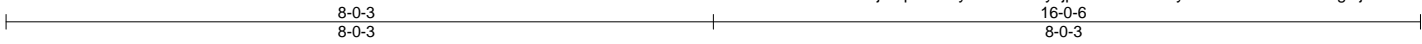
June 21, 2019

Job 148.1869	Truss V8	Truss Type GABLE	Qty 1	Ply 1	148.1869.B.CVS	137519389
-----------------	-------------	---------------------	----------	----------	----------------	-----------

84 Components (Dunn), Dunn, NC - 28334,

8.220 s Nov 16 2018 MiTek Industries, Inc. Fri Jun 21 06:20:39 2019 Page 1
ID:0ckUA53Thu5GUjfQqCaouPyZBFs-XcOyxjp6f84OlrFtdGdyP3tom?K1VxOSG4kgQjz48bs

Job Reference (optional)



Scale = 1:26.1

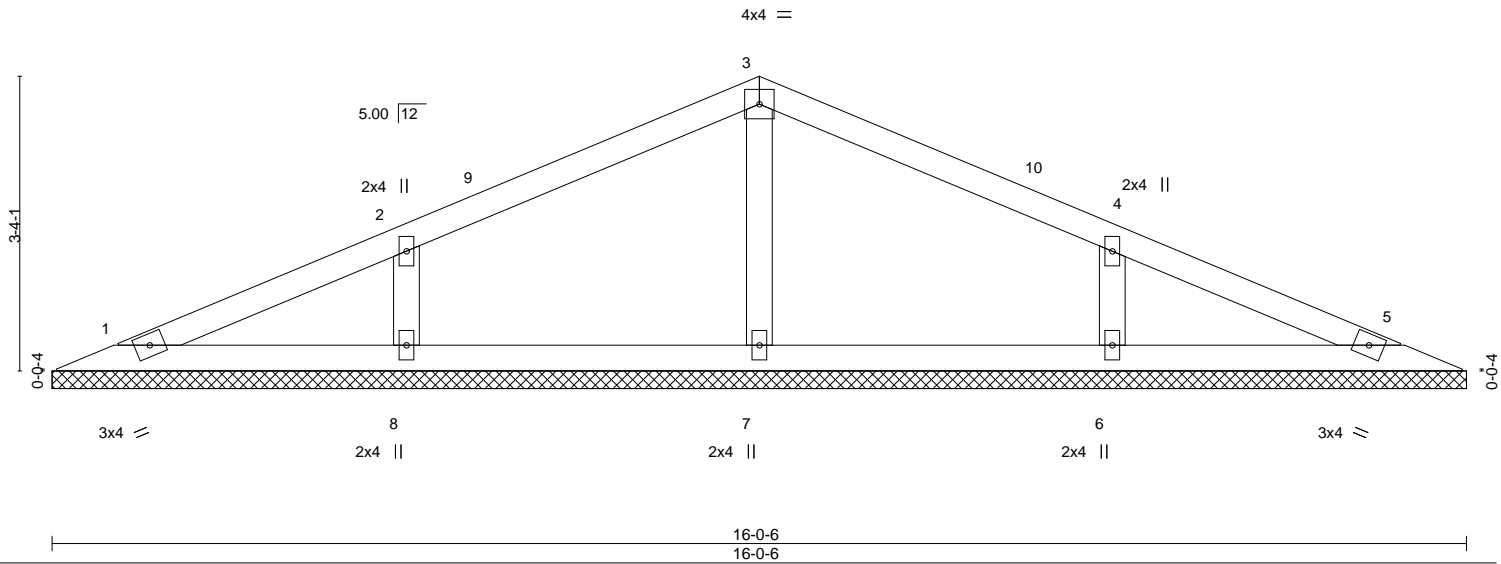


Plate Offsets (X,Y)--	[4:0-0,0-0-0]				
LOADING (psf)	SPACING- 2-0-0	CSI.	DEFL. in (loc) l/defl L/d	PLATES	GRIP
TCLL 20.0	Plate Grip DOL 1.15	TC 0.19	Vert(LL) n/a - n/a 999	MT20	244/190
TCDL 10.0	Lumber DOL 1.15	BC 0.11	Vert(CT) n/a - n/a 999		
BCLL 0.0 *	Rep Stress Incr YES	WB 0.05	Horz(CT) 0.00 5 n/a n/a		
BCDL 10.0	Code IRC2015/TPI2014	Matrix-S		Weight: 55 lb	FT = 20%

LUMBER-
TOP CHORD 2x4 SP No.2
BOT CHORD 2x4 SP No.2
OTHERS 2x4 SP No.3

BRACING-
TOP CHORD Structural wood sheathing directly applied or 6-0-0 oc purlins.
BOT CHORD Rigid ceiling directly applied or 10-0-0 oc bracing.

REACTIONS. All bearings 16-0-6.
(lb) - Max Horz 1=51(LC 12)
Max Uplift All uplift 100 lb or less at joint(s) 1, 5, 8, 6
Max Grav All reactions 250 lb or less at joint(s) 1, 5 except 7=281(LC 1), 8=344(LC 23), 6=344(LC 24)

FORCES. (lb) - Max. Comp./Max. Ten. - All forces 250 (lb) or less except when shown.
WEBS 2-8=-260/142, 4-6=-260/142

- NOTES-**
- Unbalanced roof live loads have been considered for this design.
 - Wind: ASCE 7-10; Vult=130mph (3-second gust) Vasd=103mph; TCDL=6.0psf; BCDL=6.0psf; h=25ft; Cat. II; Exp B; Enclosed; MWFRS (envelope) gable end zone and C-C Exterior(2) 0-9-1 to 4-0-3, Interior(1) 4-0-3 to 8-0-3, Exterior(2) 8-0-3 to 11-0-3, Interior(1) 11-0-3 to 15-3-5 zone;C-C for members and forces & MWFRS for reactions shown; Lumber DOL=1.60 plate grip DOL=1.60
 - Gable requires continuous bottom chord bearing.
 - This truss has been designed for a 10.0 psf bottom chord live load nonconcurrent with any other live loads.
 - * This truss has been designed for a live load of 20.0psf on the bottom chord in all areas where a rectangle 3-6-0 tall by 2-0-0 wide will fit between the bottom chord and any other members.
 - Provide mechanical connection (by others) of truss to bearing plate capable of withstanding 100 lb uplift at joint(s) 1, 5, 8, 6.



June 21, 2019

WARNING - Verify design parameters and READ NOTES ON THIS AND INCLUDED MITEK REFERENCE PAGE MII-7473 rev. 10/03/2015 BEFORE USE.
Design valid for use only with MiTek® connectors. This design is based only upon parameters shown, and is for an individual building component, not a truss system. Before use, the building designer must verify the applicability of design parameters and properly incorporate this design into the overall building design. Bracing indicated is to prevent buckling of individual truss web and/or chord members only. Additional temporary and permanent bracing is always required for stability and to prevent collapse with possible personal injury and property damage. For general guidance regarding the fabrication, storage, delivery, erection and bracing of trusses and truss systems, see **ANSI/TPI1 Quality Criteria, DSB-89 and BCSI Building Component Safety Information** available from Truss Plate Institute, 218 N. Lee Street, Suite 312, Alexandria, VA 22314.

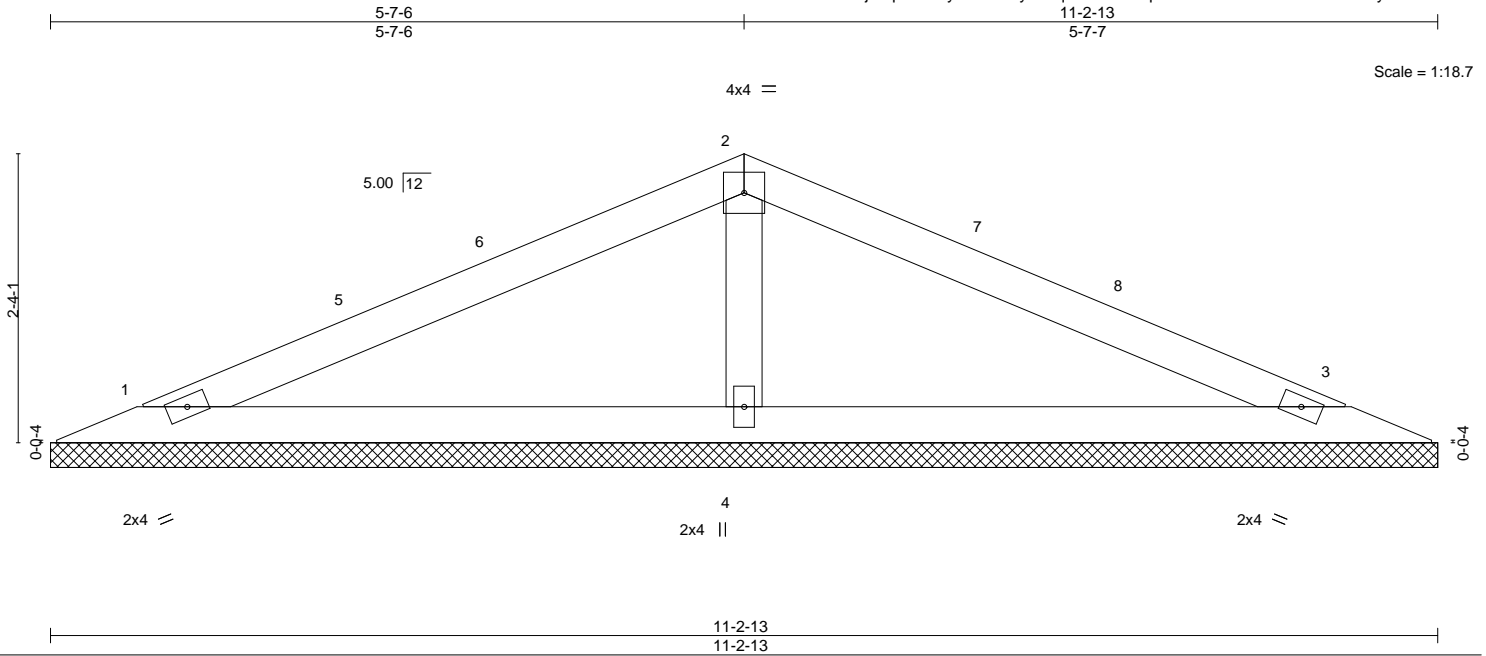
ENGINEERING BY
TRENCO
A MiTek Affiliate
818 Soundside Road
Edenton, NC 27932

Job 148.1869	Truss V9	Truss Type GABLE	Qty 1	Ply 1	148.1869.B.CVS	137519390
-----------------	-------------	---------------------	----------	----------	----------------	-----------

84 Components (Dunn), Dunn, NC - 28334,

8.220 s Nov 16 2018 MiTek Industries, Inc. Fri Jun 21 06:20:40 2019 Page 1

ID:0ckUA53Thu5GUjfQqCaouPyZBFs-?oyL93qkQSCFM?q4Bz9BxHQwGPeJENUcVkJUDy9z48br



LOADING (psf)	SPACING-	2-0-0	CSI.	DEFL.	in (loc)	l/defl	L/d	PLATES	GRIP	
TCLL 20.0	Plate Grip DOL	1.15	TC 0.34	Vert(LL)	n/a	-	n/a	999	MT20	244/190
TCDL 10.0	Lumber DOL	1.15	BC 0.23	Vert(CT)	n/a	-	n/a	999		
BCLL 0.0 *	Rep Stress Incr	YES	WB 0.06	Horz(CT)	0.00	3	n/a	n/a		
BCDL 10.0	Code IRC2015/TPI2014		Matrix-S						Weight: 35 lb	FT = 20%

LUMBER-	BRACING-
TOP CHORD 2x4 SP No.2	TOP CHORD Structural wood sheathing directly applied or 6-0-0 oc purlins.
BOT CHORD 2x4 SP No.2	BOT CHORD Rigid ceiling directly applied or 10-0-0 oc bracing.
OTHERS 2x4 SP No.3	

REACTIONS. (lb/size) 1=171/11-2-13, 3=171/11-2-13, 4=435/11-2-13
 Max Horz 1=-34(LC 13)
 Max Uplift 1=-36(LC 12), 3=-42(LC 13), 4=-23(LC 12)
 Max Grav 1=175(LC 23), 3=175(LC 24), 4=435(LC 1)

FORCES. (lb) - Max. Comp./Max. Ten. - All forces 250 (lb) or less except when shown.
WEBS 2-4=-293/130

- NOTES-**
- Unbalanced roof live loads have been considered for this design.
 - Wind: ASCE 7-10; Vult=130mph (3-second gust) Vasd=103mph; TCDL=6.0psf; BCDL=6.0psf; h=25ft; Cat. II; Exp B; Enclosed; MWFRS (envelope) gable end zone and C-C Exterior(2) 0-9-1 to 3-9-1, Interior(1) 3-9-1 to 5-7-6, Exterior(2) 5-7-6 to 8-7-6, Interior(1) 8-7-6 to 10-5-12 zone; C-C for members and forces & MWFRS for reactions shown; Lumber DOL=1.60 plate grip DOL=1.60
 - Gable requires continuous bottom chord bearing.
 - This truss has been designed for a 10.0 psf bottom chord live load nonconcurrent with any other live loads.
 - * This truss has been designed for a live load of 20.0psf on the bottom chord in all areas where a rectangle 3-6-0 tall by 2-0-0 wide will fit between the bottom chord and any other members.
 - Provide mechanical connection (by others) of truss to bearing plate capable of withstanding 100 lb uplift at joint(s) 1, 3, 4.



June 21, 2019

<p>WARNING - Verify design parameters and READ NOTES ON THIS AND INCLUDED MITEK REFERENCE PAGE MII-7473 rev. 10/03/2015 BEFORE USE.</p> <p>Design valid for use only with MiTek® connectors. This design is based only upon parameters shown, and is for an individual building component, not a truss system. Before use, the building designer must verify the applicability of design parameters and properly incorporate this design into the overall building design. Bracing indicated is to prevent buckling of individual truss web and/or chord members only. Additional temporary and permanent bracing is always required for stability and to prevent collapse with possible personal injury and property damage. For general guidance regarding the fabrication, storage, delivery, erection and bracing of trusses and truss systems, see ANSI/TPI1 Quality Criteria, DSB-89 and BCSI Building Component Safety Information available from Truss Plate Institute, 218 N. Lee Street, Suite 312, Alexandria, VA 22314.</p>	<p>ENGINEERING BY</p> <p>TRENCO</p> <p>A MiTek Affiliate</p> <p>818 Soundside Road Edenton, NC 27932</p>
---	---

Job 148.1869	Truss V10	Truss Type VALLEY	Qty 1	Ply 1	148.1869.B.CVS	137519391
-----------------	--------------	----------------------	----------	----------	----------------	-----------

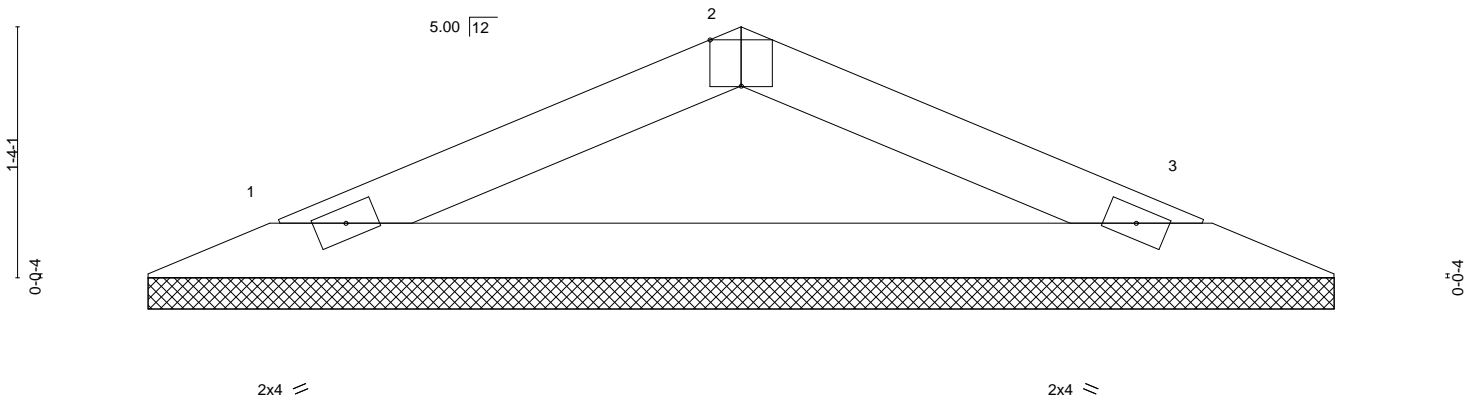
84 Components (Dunn), Dunn, NC - 28334,

8.220 s Nov 16 2018 MiTek Industries, Inc. Fri Jun 21 06:20:34 2019 Page 1
ID:0ckUA53Thu5GUJfQqCaouPyZBFs-Aeb3u0lzqcR6e4Nwqj2ni0AzM_afqgyj7o1vIVz48bx



3x4 =

Scale = 1:12.3



2x4 =

2x4 =

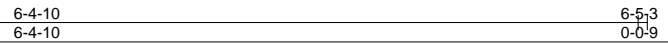


Plate Offsets (X,Y)-- [2:0-2-0,Edge]

LOADING (psf)	SPACING-	CSI.	DEFL.	PLATES	GRIP
TCLL 20.0	2-0-0	TC 0.11	in (loc) l/defl L/d	MT20	244/190
TCDL 10.0	Plate Grip DOL 1.15	BC 0.31	Vert(LL) n/a - n/a 999		
BCLL 0.0 *	Lumber DOL 1.15	WB 0.00	Vert(CT) n/a - n/a 999		
BCDL 10.0	Rep Stress Incr YES	Matrix-P	Horz(CT) 0.00 3 n/a n/a		
	Code IRC2015/TPI2014			Weight: 17 lb	FT = 20%

LUMBER-

TOP CHORD 2x4 SP No.2
BOT CHORD 2x4 SP No.2

BRACING-

TOP CHORD Structural wood sheathing directly applied or 6-0-0 oc purlins.
BOT CHORD Rigid ceiling directly applied or 10-0-0 oc bracing.

REACTIONS. (lb/size) 1=197/6-4-0, 3=197/6-4-0
Max Horz 1=-17(LC 13)
Max Uplift 1=-24(LC 12), 3=-24(LC 13)

FORCES. (lb) - Max. Comp./Max. Ten. - All forces 250 (lb) or less except when shown.

NOTES-

- Unbalanced roof live loads have been considered for this design.
- Wind: ASCE 7-10; Vult=130mph (3-second gust) Vasd=103mph; TCDL=6.0psf; BCDL=6.0psf; h=25ft; Cat. II; Exp B; Enclosed; MWFRS (envelope) gable end zone and C-C Exterior(2) zone; C-C for members and forces & MWFRS for reactions shown; Lumber DOL=1.60 plate grip DOL=1.60
- Gable requires continuous bottom chord bearing.
- This truss has been designed for a 10.0 psf bottom chord live load nonconcurrent with any other live loads.
- * This truss has been designed for a live load of 20.0psf on the bottom chord in all areas where a rectangle 3-6-0 tall by 2-0-0 wide will fit between the bottom chord and any other members.
- Provide mechanical connection (by others) of truss to bearing plate capable of withstanding 100 lb uplift at joint(s) 1, 3.



June 21, 2019

WARNING - Verify design parameters and READ NOTES ON THIS AND INCLUDED MITEK REFERENCE PAGE MII-7473 rev. 10/03/2015 BEFORE USE.

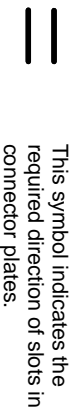
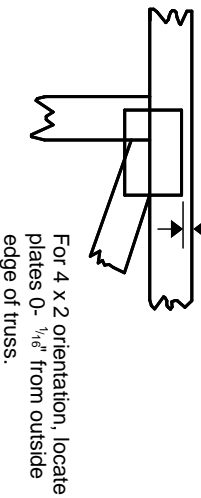
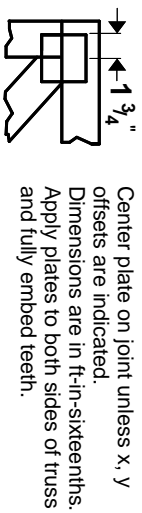
Design valid for use only with MiTek® connectors. This design is based only upon parameters shown, and is for an individual building component, not a truss system. Before use, the building designer must verify the applicability of design parameters and properly incorporate this design into the overall building design. Bracing indicated is to prevent buckling of individual truss web and/or chord members only. Additional temporary and permanent bracing is always required for stability and to prevent collapse with possible personal injury and property damage. For general guidance regarding the fabrication, storage, delivery, erection and bracing of trusses and truss systems, see **ANSI/TPI1 Quality Criteria, DSB-89 and BCSI Building Component Safety Information** available from Truss Plate Institute, 218 N. Lee Street, Suite 312, Alexandria, VA 22314.



818 Soundside Road
Edenton, NC 27932

Symbols

PLATE LOCATION AND ORIENTATION



* Plate location details available in **MITrak 20/20 software** or upon request.

PLATE SIZE

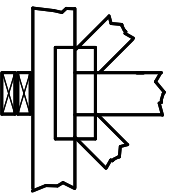
4 X 4

The first dimension is the plate width measured perpendicular to slots. Second dimension is the length parallel to slots.

LATERAL BRACING LOCATION



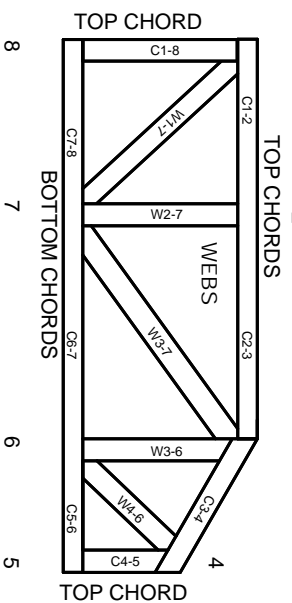
BEARING



Industry Standards:

ANSI/TPI 1: National Design Specification for Metal Plate Connected Wood Truss Construction.
DSB-89: Design Standard for Bracing.
BCSI: Building Component Safety Information, Guide to Good Practice for Handling, Installing & Bracing of Metal Plate Connected Wood Trusses.

Numbering System



JOINTS ARE GENERALLY NUMBERED/LETTERED CLOCKWISE AROUND THE TRUSS STARTING AT THE JOINT FARTHEST TO THE LEFT.

CHORDS AND WEBS ARE IDENTIFIED BY END JOINT NUMBERS/LETTERS.

PRODUCT CODE APPROVALS

ICC-ES Reports:

ESR-1311, ESR-1352, ESR1988
ER-3907, ESR-2362, ESR-1397, ESR-3282

Trusses are designed for wind loads in the plane of the truss unless otherwise shown.

Lumber design values are in accordance with ANSI/TPI 1 section 6.3 These truss designs rely on lumber values established by others.

© 2012 MITteK® All Rights Reserved



MITteK Engineering Reference Sheet: MII-7473 rev. 10/03/2015



General Safety Notes

Failure to Follow Could Cause Property Damage or Personal Injury

1. Additional stability bracing for truss system, e.g. diagonal or X-bracing, is always required. See BCSI.
2. Truss bracing must be designed by an engineer. For wide truss spacing, individual lateral braces themselves may require bracing, or alternative Tor I bracing should be considered.
3. Never exceed the design loading shown and never stack materials on inadequately braced trusses.
4. Provide copies of this truss design to the building designer, erection supervisor, property owner and all other interested parties.
5. Cut members to bear tightly against each other.
6. Place plates on each face of truss at each joint and embed fully. Knots and wane at joint locations are regulated by ANSI/TPI 1.
7. Design assumes trusses will be suitably protected from the environment in accord with ANSI/TPI 1.
8. Unless otherwise noted, moisture content of lumber shall not exceed 19% at time of fabrication.
9. Unless expressly noted, this design is not applicable for use with fire retardant, preservative treated, or green lumber.
10. Camber is a non-structural consideration and is the responsibility of truss fabricator. General practice is to camber for dead load deflection.
11. Plate type, size, orientation and location dimensions indicated are minimum plating requirements.
12. Lumber used shall be of the species and size, and in all respects, equal to or better than that specified.
13. Top chords must be sheathed or purlins provided at spacing indicated on design.
14. Bottom chords require lateral bracing at 10 ft. spacing, or less, if no ceiling is installed, unless otherwise noted.
15. Connections not shown are the responsibility of others.
16. Do not cut or alter truss member or plate without prior approval of an engineer.
17. Install and load vertically unless indicated otherwise.
18. Use of green or treated lumber may pose unacceptable environmental, health or performance risks. Consult with project engineer before use.
19. Review all portions of this design (front, back, words and pictures) before use. Reviewing pictures alone is not sufficient.
20. Design assumes manufacture in accordance with ANSI/TPI 1 Quality Criteria.