



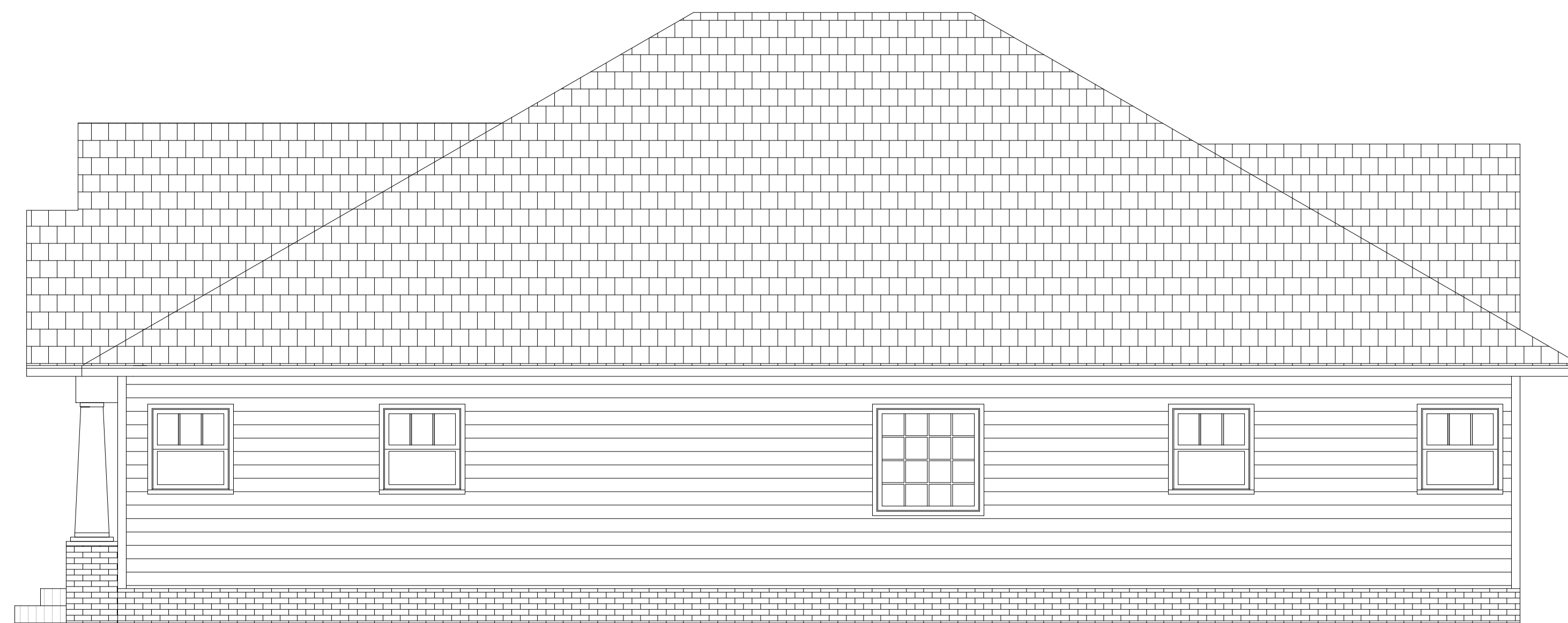
Approved

button 08/06/2019



FRONT ELEVATION

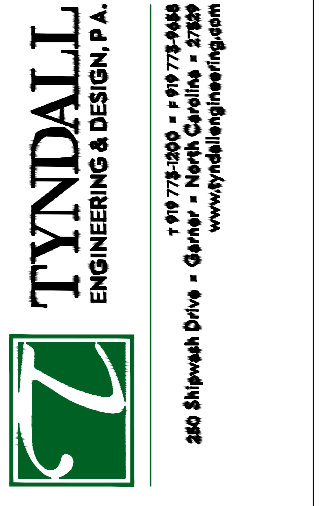
1/4" = 1'-0"



RIGHT ELEVATION

1/4" = 1'-0"

*Engineers and does not include construction means, methods, techniques, sequences, procedures or safety precautions.
*Any deviations or discrepancies on plans are to be brought to the immediate attention of Tyn dall Engineering & Design, P.A. Failure to do so will void Tyn dall Engineering & Design, P.A. liability.
*Please review these documents carefully. Tyn dall Engineering & Design, P.A. will interpret that all dimensions, recommendations, etc. presented in these documents were deemed acceptable once construction begins.



Client: ANN DENNING
Project: DENNING RESIDENCE

ELEVATIONS

Project #: 1901-010273
Date: 7/29/19
Drawn/Design By: IJE
DWG. Checked By: PTII
Scale: SEE PLAN

REVISIONS		
No.	Date:	Remarks
△		
△		
△		

Sheet Number
1
1 of 6

FILENAME: Z:_RESIDENTIAL ENGINEERING\2019 STRUCTURAL PROJECTS\1901-010273 - ANN DENNING - DENNING RESIDENCE\1901-010273.DWG SAVED BY: SEAN LAST PLOT DATE: 7/29/2019 11:20 AM

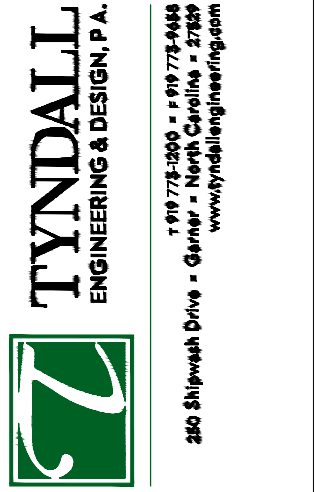


REAR ELEVATION
1/4" = 1'-0"



LEFT ELEVATION
1/4" = 1'-0"

*Engineers and does not include construction means, methods, techniques, sequences, procedures or safety precautions.
 *Any deviations or discrepancies on plans are to be brought to the immediate attention of Tynndall Engineering & Design, P.A. Failure to do so will void Tynndall Engineering & Design, P.A. liability.
 *Please review these documents carefully. Tynndall Engineering & Design, P.A. will interpret that all dimensions, recommendations, etc. presented in these documents were deemed acceptable once construction begins.



Client: ANN DENNING
 Project: DENNING RESIDENCE

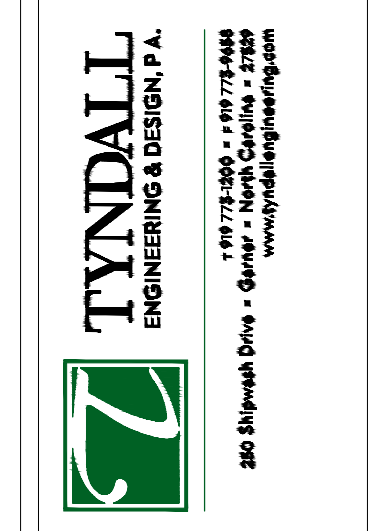
ELEVATIONS

Project #: 1901-010273
 Date: 7/29/19
 Drawn/Design By: IJE
 DWG. Checked By: PTII
 Scale: SEE PLAN

REVISIONS		
No.	Date	Remarks
△		
△		
△		
△		

Sheet Number
2
 2 of 6

*Engineers and does not include construction means, methods, techniques, sequences, procedures or safety precautions.
 *Any deviations or discrepancies on plans are to be brought to the immediate attention of Tyndall Engineering & Design, P.A. Failure to do so will void Tyndall Engineering & Design, P.A. liability.
 *Please review these documents carefully. Tyndall Engineering & Design, P.A. will interpret that all dimensions, recommendations, etc. presented in these documents were deemed acceptable under construction logic.



Client: ANN DENNING
 Project: DENNING RESIDENCE

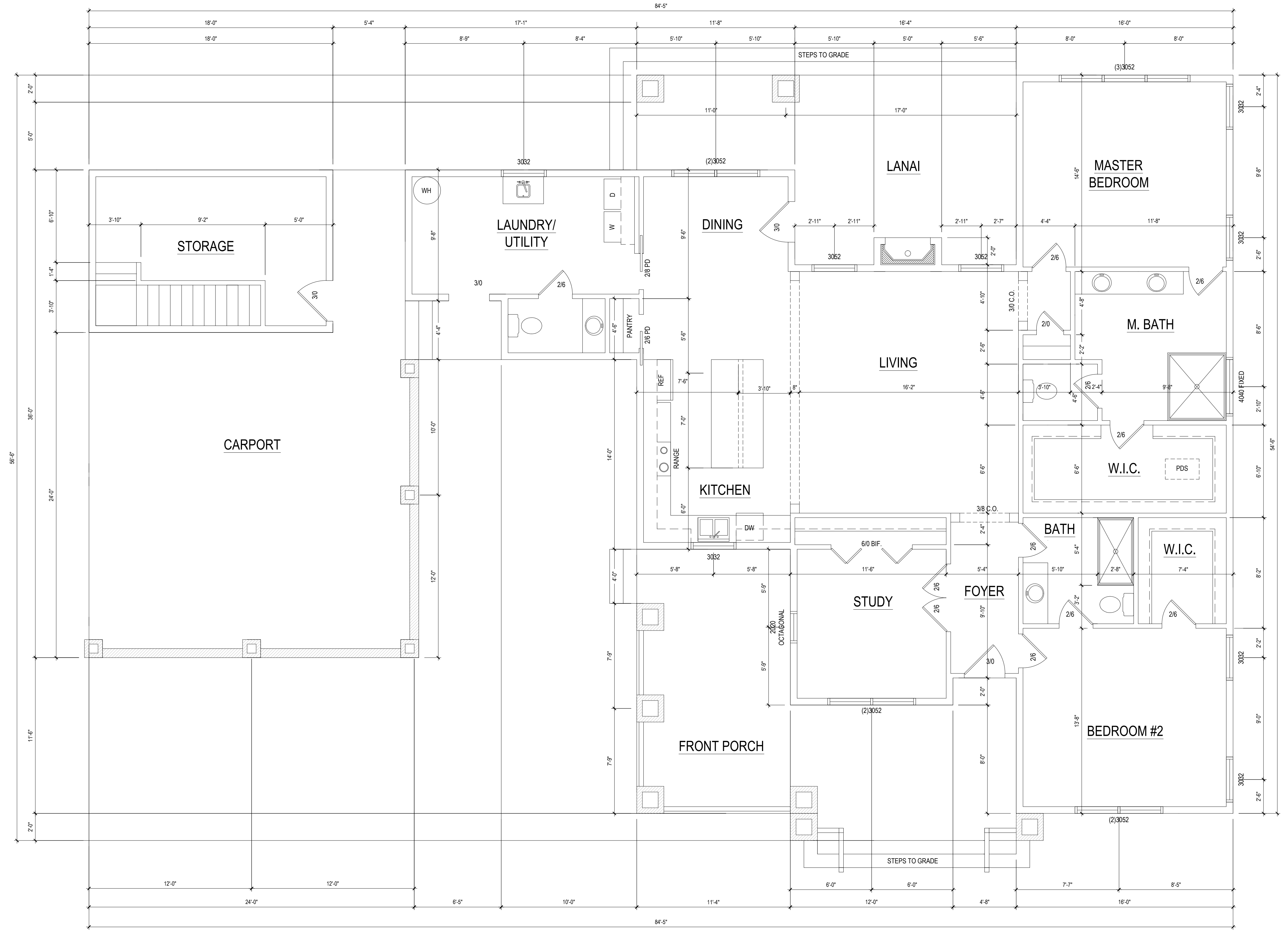
FIRST FLOOR PLAN

Project #: 1901-010273
 Date: 7/29/19
 Drawn/Design By: IJE
 DWG. Checked By: PTH
 Scale: SEE PLAN

REVISIONS		
No.	Date	Remarks

Sheet Number
3
 3 of 6

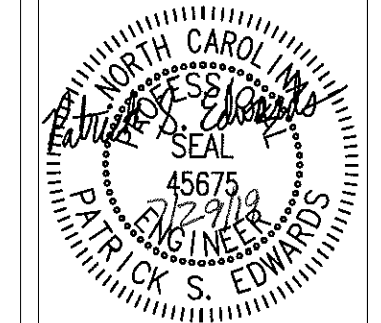
HEATED/HABITABLE SQUARE FOOTAGE	
First Floor	1942
TOTAL HEATED	1942
UNHTD SQUARE FOOTAGE	
Lanai	300
Front Porch	397
Carport	657
Storage	180
TOTAL UNHEATED	1534



FIRST FLOOR PLAN
 1/4" = 1'-0" CEILING HGT. = 9'-0"

FILENAME: Z:\RESIDENTIAL ENGINEERING\2019 STRUCTURAL PROJECTS\1901-010273 - ANN DENNING - DENNING RESIDENCE\1901-010273.DWG SAVED BY: SEAN LUST PLOT DATE: 7/29/2019 11:20 AM

*Engineers and does not include construction means, methods, techniques, sequences, procedures or safety precautions.
 *Any deviations or discrepancies on plans are to be brought to the immediate attention of Tynndall Engineering & Design, P.A. Failure to do so will void Tynndall Engineering & Design, P.A. liability.
 *Please review these documents carefully. Tynndall Engineering & Design, P.A. will interpret that all dimensions, recommendations, etc. presented in these documents were deemed acceptable under construction logic.



TYNDALL
 ENGINEERING & DESIGN, P.A.
 10075-1500 • 919-775-4444
 200 Blythewood Drive • Cary • North Carolina • 27513
 www.tynndallengineering.com

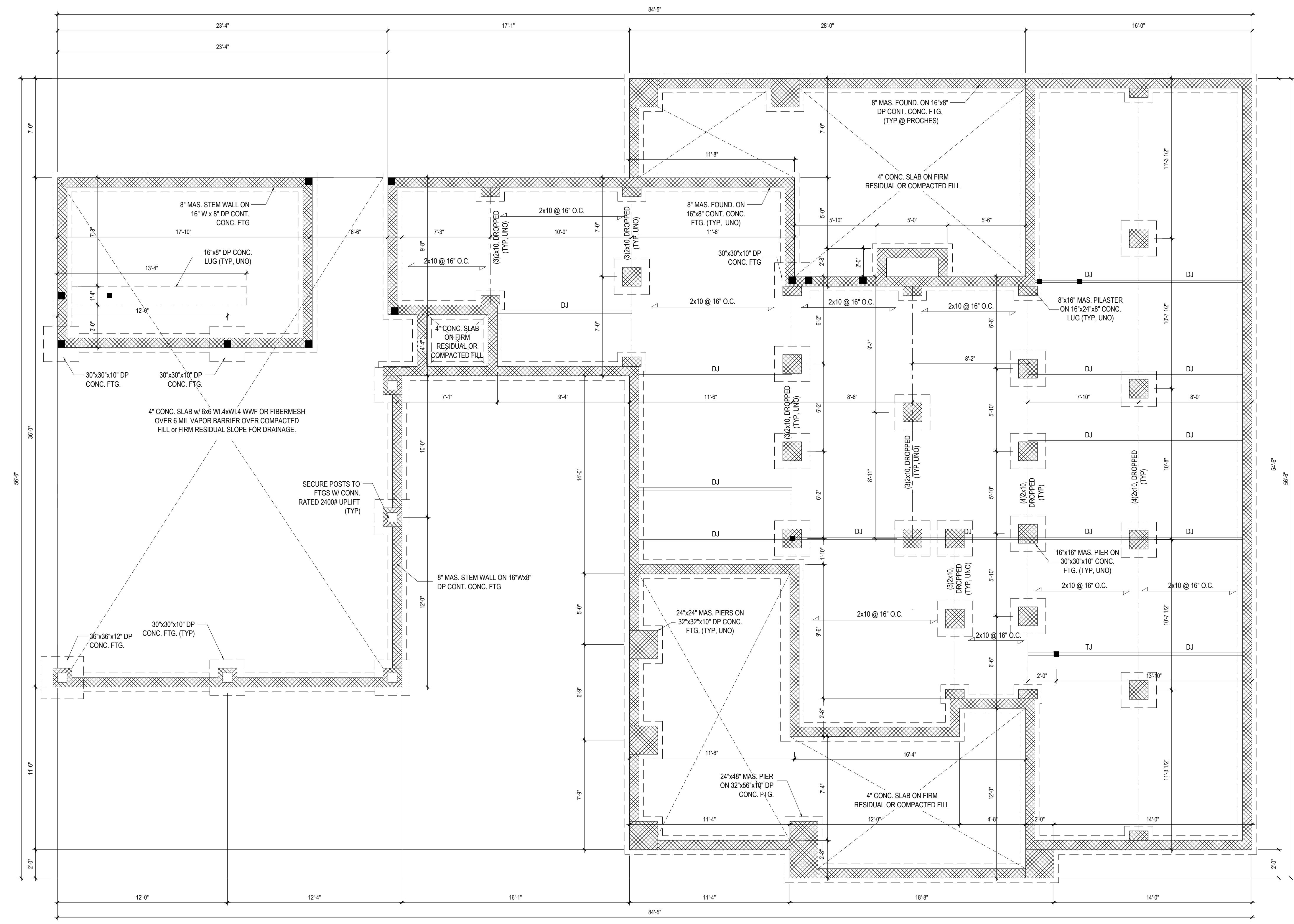
Client: **ANN DENNING**
 Project: **DENNING RESIDENCE**

FOUNDATION PLAN

Project #: 1901-010273
 Date: 7/29/19
 Drawn/Design By: IJE
 DWG. Checked By: PTH
 Scale: SEE PLAN

REVISIONS		
No.	Date	Remarks

Sheet Number
S1
 4 of 6



FOUNDATION PLAN
 1/4" = 1'-0"

FILENAME: Z:_RESIDENTIAL ENGINEERING\2019 STRUCTURAL PROJECTS\1901-010273 - ANN DENNING - DENNING RESIDENCE\1901-010273.DWG SAVED BY: SEAN LAST PLOT DATE: 7/29/2019 11:20 AM

DESIGN LOADS

	LIVE LOAD (PSF)	DEAD LOAD (PSF)	DEFLECTION	
			LL	TL
FLOOR (primary)	40	10	L/360	L/240
FLOOR (secondary)	40	10	L/360	L/240
ATTIC (w/ storage)	20	10	L/240	L/180
ATTIC (no access)	10	5	L/240	L/180
EXTERNAL BALCONY	40	10	L/360	L/240
ROOF	20	10	L/240	L/180
ROOF TRUSS	20	20	L/240	L/180
WIND LOAD	BASED ON 120 MPH (EXPOSURE B)			
SEISMIC	BASED ON SEISMIC ZONES A, B & C			

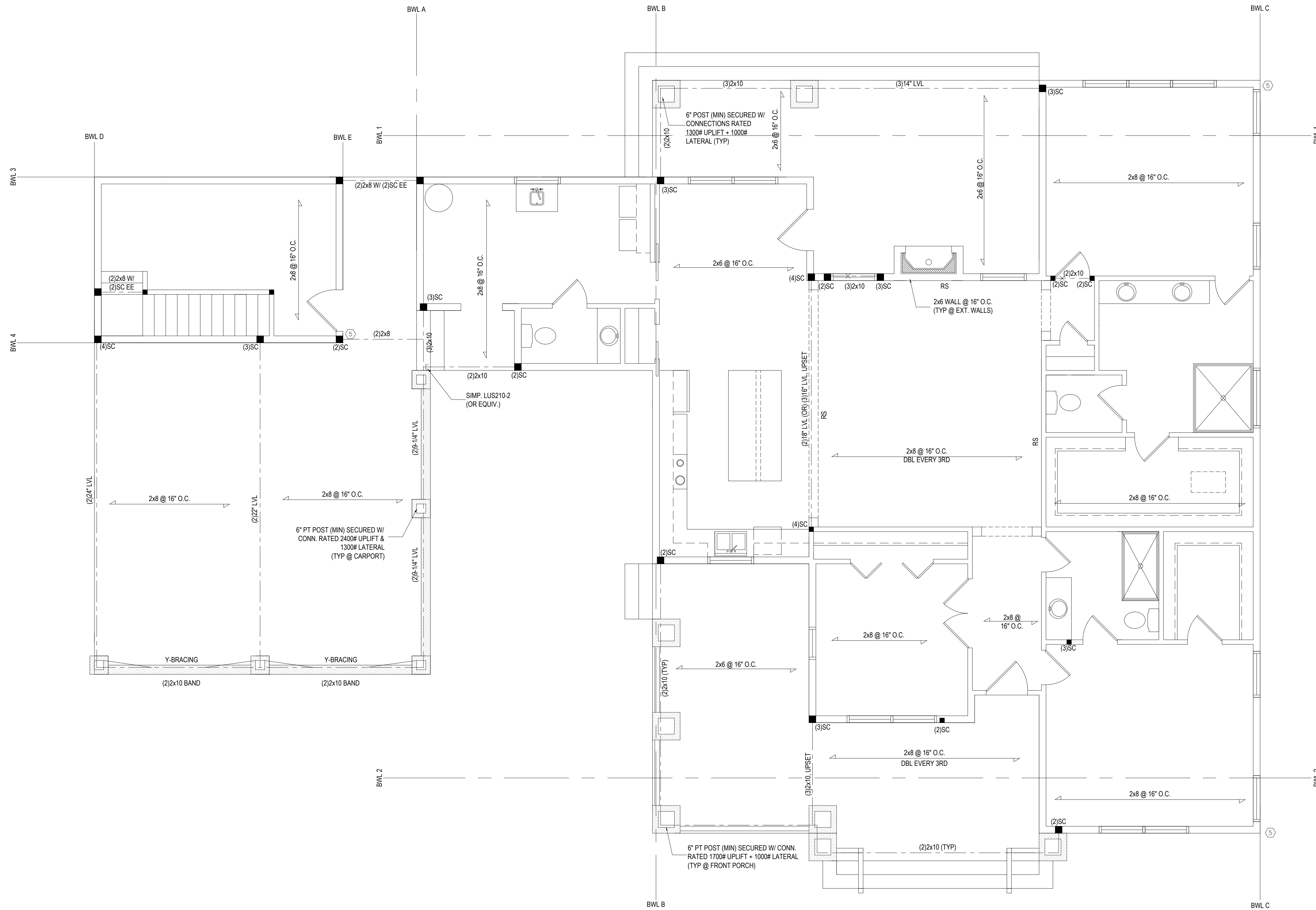
STRUCTURAL NOTES:

- ALL CONSTRUCTION SHALL CONFORM TO THE LATEST REQUIREMENTS OF "NORTH CAROLINA STATE 2018 RESIDENTIAL BUILDING CODE", IN ADDITION TO ALL LOCAL CODES AND REGULATIONS.
- IT IS THE CONTRACTOR'S RESPONSIBILITY TO VERIFY ALL DIMENSIONS AND SQUARE FOOTAGE PRIOR TO CONSTRUCTION. TYNDALL ENGINEERING & DESIGN, P.A. IS NOT RESPONSIBLE FOR DIMENSIONS AND SQUARE FOOTAGE ERRORS ONCE CONSTRUCTION BEGINS.
- ALL LUMBER SHALL BE SYP #2 (UNO) ALL LVL LUMBER TO BE 1.75" WIDE NOMINAL EACH SINGLE MEMBER AND F_b = 2600 PSI, E = 1.9M PSI (I.E. I-LEVEL MICROLAM) ALL LSL LUMBER IS TO BE 1.55E (F_b = 2325 PSI)
- ALL LOAD BEARING EXTERIOR WINDOW HEADERS WITH MAXIMUM SPAN OF 5'-6" SHOULD BE A (2) 2x10 w/ (1) 2x4 KING STUD AND (1) 2x4 JACK STUD NAILED TOGETHER w/ (2) 10g @ 8" O.C. PROVIDED THAT THE TOP OF THE WINDOW HEIGHT IS 6"-8" MINIMUM BOTTOM OF THE WINDOW HEIGHT IS 1'-6", OTHERWISE REFER TO TABLE R602.7(1).
- ALL INTERIOR LOAD BEARING HEADERS TO BE (2) 2x10 (UNO.) REFER TO TABLE R602.7(2) FOR JACK STUD REQUIREMENTS FOR HEADER SPANS FOR INTERIOR AND EXTERIOR LOAD CONDITIONS (UNO)
- REFER TO 2018 NC BUILDING CODE SECTION R602 FOR CONSTRUCTION OF ALL WALLS OVER 10'-0" IN HEIGHT
- ALL STRUCTURAL STEEL SHALL BE ASTM A992 GRADE 50 F_y = 50 KSI MIN. (UNO)
- ALL EXTERIOR LUMBER TO BE #2 SYP PT
- ALL CONCRETE, f_c = 3000 PSI MIN.
- PRESUMPTIVE BEARING CAPACITY = 2000 PSF
- 1/2" ANCHOR BOLTS SPACED AT MAXIMUM OF 6'-0" O.C. AND NOT MORE THAN 12" FROM THE CORNER. THERE SHALL BE A MINIMUM OF (2) BOLTS PER PLATE SECTION. ANCHOR BOLTS SHALL BE SPACED AT 3'-0" O.C. FOR BASEMENTS. ANCHOR BOLT SHALL EXTEND 7" INTO CONCRETE OR MASONRY.
- PSL COLUMNS DESIGNED WITH MAX. HEIGHT OF 9'-0" (UNO)
- PROVIDE A MINIMUM OF 500# UPLIFT & LATERAL CONNECTION AT TOP AND BOTTOM OF PORCH COLUMNS. (UNO.)
- PROVIDE CONTINUOUS SHEATHING PER SECTION 602.10.4 OF THE 2018 IRC.
- MAXIMUM MASONRY PIER HEIGHT SHALL NOT EXCEED FOUR TIMES ITS LEAST HORIZONTAL DIMENSION.
- UPLIFT LOADS GREATER THAN 500# SHALL BE CONTINUOUSLY ANCHORED TO THE FOUNDATION.
- METAL HANGERS SHALL BE SIMPSON OR APPROVED EQUAL.

STRUCTURAL SHEATHING NOTES:

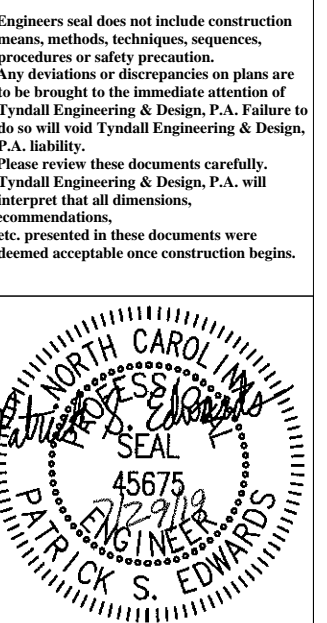
- DESIGNED FOR SEISMIC ZONE A-C AND WIND SPEEDS OF 120 MPH OR LESS.
- WALLS SHALL BE BRACED IN ACCORDANCE WITH SECTION R602.10 OF THE 2018 NCR. REFER TO SECTION R602.10.4 FOR LOAD PATH DETAILS INCLUDING CONNECTIONS & SUPPORT OF BRACED WALL PANELS.
- REFERENCE FIGURE R602.10.4.3 OF THE 2018 NCR.
- INTERIOR BRACED WALL PANELS (BWP) INDICATED SHALL BE SHEATHED IN ACCORDANCE WITH THE GB METHOD OR WSP METHOD AS PRESCRIBED IN SECTION R602.10.1 (UNO)
 - 1/2" GYPSUM BOARD (GB) MINIMUM LENGTH OF 8'-0" (ISOLATED PANELS) OR 4'-0" (CONTINUOUS SHEATHING). SECURE w/ 5d COOLER NAILS (OR EQUAL PER TABLE R702.3.5) SPACED @ 7" O.C. AT PANEL EDGES, INCLUDING TOP AND BOTTOM PLATES & 7" O.C. AT INTERMEDIATE SUPPORTS
 - 3/8" WOOD STRUCTURAL PANEL (WSP) SECURE w/ 6d COMMON NAILS SPACED AT 6" O.C. AT PANEL EDGES AND 12" O.C. AT INTERMEDIATE SUPPORTS
- EXTERIOR BRACED WALL PANELS (BWP) SHALL BE CONSTRUCTED IN ACCORDANCE WITH CS-WSP METHOD AS PRESCRIBED IN SECTION R602.10.3 (UNO)
- ALL SHEATHABLE SURFACES OF EXTERIOR WALLS (INCLUDING AREAS ABOVE AND BELOW OPENINGS AND GABLE END WALLS) SHALL BE CONTINUOUSLY SHEATHED WITH WOOD STRUCTURAL PANEL (WSP) SHEATHING WITH A MINIMUM THICKNESS OF 3/8". SHEATHING SHALL BE SECURED WITH MINIMUM 6d COMMON NAILS SPACED AT 6" O.C. AT PANEL EDGES AND SPACED AT 12" O.C. AT INTERMEDIATE SUPPORTS.
- MINIMUM BRACED WALL PANEL LENGTHS WITH CS-WSP METHOD SHALL BE AS FOLLOWS:
 - 24" ADJACENT TO OPENINGS NOT MORE THAN 67% OF WALL HEIGHT
 - 30" ADJACENT TO OPENINGS GREATER THAN 67% AND LESS THAN 85% OF WALL HEIGHT
 - 48" FOR OPENINGS GREATER THAN 85% OF WALL HEIGHT
- SHEATH INTERIOR & EXTERIOR
- FOR CS-WSP METHOD, A MINIMUM 24" BRACED WALL PANEL CORNER RETURN SHALL BE PROVIDED AT BOTH ENDS OF A BRACED WALL LINE IN ACCORDANCE WITH FIGURE R602.10.3(4). IN LIEU OF A CORNER RETURN, EITHER A MIN. 48" BRACED WALL PANEL SHALL BE PROVIDED AT THE CORNER OR A HOLD-DOWN DEVICE WITH A MINIMUM UPLIFT DESIGN VALUE OF 800# SHALL BE FASTENED TO THE EDGE OF THE BRACED WALL PANEL CLOSEST TO THE CORNER AND TO THE FOUNDATION OR FRAMING BELOW
 - MINIMUM 800# HOLD-DOWN DEVICE

STORAGE: BRACING PANEL LENGTHS REQUIRED: BWL D = 2.3 FT BWL E = 2.3 FT BWL 3 = 2.0 FT BWL 4 = 2.0 FT	1ST FLOOR: BRACING PANEL LENGTHS REQUIRED: BWL A = 2.6 FT BWL B = 8.7 FT BWL C = 6.1 FT BWL 2 = 6.3 FT
BRACING PANEL LENGTHS PROVIDED: BWL D = 18.0 FT CS-WSP BWL E = 18.0 FT CS-WSP BWL 3 = 12.0 FT CS-WSP BWL 4 = 8.17 FT CS-WSP	BRACING PANEL LENGTHS PROVIDED: BWL A = 9.67 FT CS-WSP BWL B = 14.0 FT CS-WSP BWL C = 35.42 FT CS-WSP BWL 1 = 25.25 FT CS-WSP BWL 2 = 15.0 FT CS-WSP



FIRST FLOOR STRUCTURAL PLAN

1/4" = 1'-0" CEILING HGT. = 9'-0"



TYNDALL
ENGINEERING & DESIGN, P.A.
1197 W. 15th St., Raleigh, NC 27601
919.775.4444
www.tyndallengineering.com

Client: ANN DENNING
Project: DENNING RESIDENCE

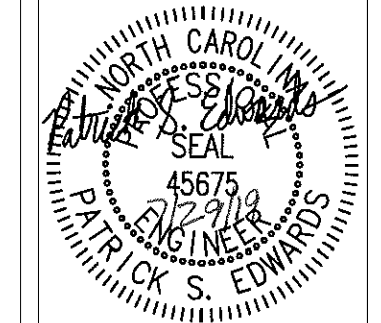
FIRST FLOOR STRUCTURAL PLAN

Project #: 1901-010273
Date: 7/29/19
Drawn/Design By: IJE
DWG. Checked By: PTH
Scale: SEE PLAN

No.	Date	Remarks

Sheet Number
S2
5 of 6

*Engineers and does not include construction means, methods, techniques, sequences, procedures or safety precautions.
 *Any deviation or discrepancy on plans are to be brought to the immediate attention of Tynndall Engineering & Design, P.A. Failure to do so will void Tynndall Engineering & Design, P.A. liability.
 *Please review these documents carefully. Tynndall Engineering & Design, P.A. will interpret that all dimensions, recommendations, etc. presented in these documents were deemed acceptable once construction begins.



TYNDALL
 ENGINEERING & DESIGN, P.A.
 45678
 T. C. S. EDWARDS
 100 Blawieck Drive • Garner • North Carolina • 27529
 919.775.2020 • 919.775.2444
 www.tynndallengineering.com

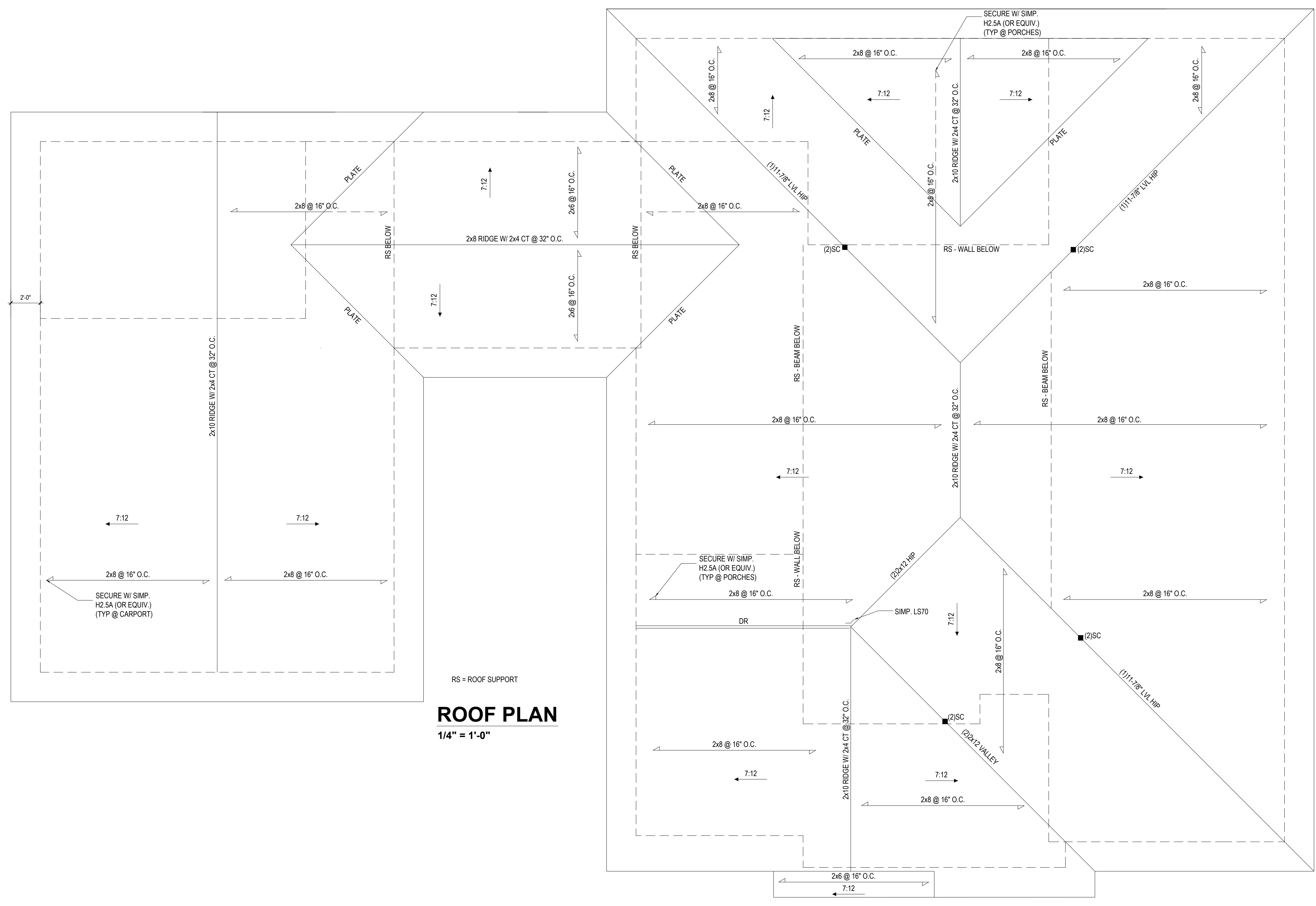
Client: **ANN DENNING**
 Project: **DENNING RESIDENCE**

ROOF PLAN

Project #: **1901-010273**
 Date: **7/29/19**
 Drawn/Design By: **IJE**
 DWG. Checked By: **PTII**
 Scale: **SEE PLAN**

REVISIONS		
No.	Date:	Remarks

Sheet Number
S3
 6 of 6



RS = ROOF SUPPORT
ROOF PLAN
 1/4" = 1'-0"

STRUCTURAL NOTES

1) ALL CONSTRUCTION SHALL CONFORM TO THE LATEST REQUIREMENTS OF "NORTH CAROLINA STATE 2018 RESIDENTIAL BUILDING CODE", IN ADDITION TO ALL LOCAL CODES AND REGULATIONS.

2) DESIGN LOADS:

	LIVE LOAD (PSF)	DEAD LOAD (PSF)	DEFLECTION	
			LL	TL
ALL FLOORS	40	10	L/360	L/240
ATTIC (w/ walk up stairs)	30	10	L/360	L/240
ATTIC (pull down access)	20	10	L/240	L/180
ATTIC (no access)	10	5	L/240	L/180
EXTERNAL BALCONY	40	10	L/360	L/240
ROOF	20	10	L/240	L/180
ROOF TRUSS	20	20	L/240	L/180
WIND LOAD	BASED ON 120 MPH (EXPOSURE B)			
SEISMIC	SEISMIC ZONES A, B & C			

- 3) MINIMUM ALLOWABLE SOIL BEARING PRESSURE = 2000 PSF
- 4) CONCRETE SHALL HAVE A MINIMUM 28 DAY COMPRESSIVE STRENGTH OF 3000 PSI AND A MAXIMUM SLUMP OF FIVE INCHES UNLESS NOTED OTHERWISE. (U.N.O.)
- 5) MAXIMUM DEPTH OF UNBALANCED FILL AGAINST FOUNDATION WALLS TO BE LESS THAN 4'-0" WITHOUT USING SUFFICIENT WALL BRACING. REFER TO SECTION R404 OF 2018 NC BUILDING CODE FOR BACKFILL LIMITATIONS BASED ON WALL HEIGHT, WALL THICKNESS, SOIL TYPE, AND UNBALANCED BACKFILL HEIGHT.
- 6) ALL FRAMING LUMBER SHALL BE SYP #2 (Fb = 800 PSI, BASED ON 2x10) UNO. ALL FRAMING LUMBER EXPOSED TO THE ELEMENTS SHALL BE TREATED MATERIAL. ALL LVL LUMBER TO BE 1.75" WIDE NOMINAL EACH SINGLE MEMBER AND Fb = 2600 PSI, E = 1.9M PSI (U.N.O.) ALL LSL LUMBER TO BE 3.5" WIDE NOMINAL EACH SINGLE MEMBER AND Fb = 2325 PSI, E = 1.6M PSI (U.N.O.) ALL PSL LUMBER TO BE 3.5" WIDE NOMINAL EACH SINGLE MEMBER AND Fb = 2400 PSI, E = 1.8M PSI (U.N.O.)
- 7) ALL LOAD BEARING EXTERIOR HEADERS SHALL BE AT (2) 2x10. (U.N.O.) REFER TO TABLE R602.7(1) & (2) FOR JACK STUD REQUIREMENTS FOR HEADER SPANS FOR INTERIOR AND EXTERIOR LOAD CONDITIONS UNLESS SPECIFICALLY NOTED ON PLANS.
- 8) ALL STRUCTURAL STEEL W-SHAPES (I-BEAMS) SHALL BE ASTM A992 GRADE 50. ALL STEEL ANGLES, PLATES, AND C-CHANNELS SHALL BE ASTM A36. ALL STEEL PIPE SHALL BE ASTM A53 GRADE B.
- 9) STEEL BEAMS SHALL BE SUPPORTED AT EACH END WITH A MINIMUM BEARING LENGTH OF 3'-1/2" AND FULL FLANGE WIDTH. PROVIDE SOLID BEARING FROM BEAM SUPPORT TO FOUNDATION. BEAMS SHALL BE ATTACHED TO EACH SUPPORT WITH TWO (2) LAG SCREWS (1/2" Ø x 4" LONG). LATERAL SUPPORT IS CONSIDERED ADEQUATE PROVIDED THE JOISTS ARE TOE NAILED TO THE SOLE PLATES, AND THE SOLE PLATES ARE NAILED OR BOLTED TO THE BEAM FLANGES @ 48" O.C.
- 10) PROVIDE ANCHOR BOLT PLACEMENT PER SECTION 403.1.6: 1/2" Ø ANCHOR BOLTS SPACED AT 6'-0" O.C. AND PLACED 12" FROM THE END OF EACH PLATE SECTION. ANCHOR BOLTS SHALL BE SPACED AT 3'-0" O.C. FOR BASEMENTS. ANCHOR BOLT SHALL EXTEND 7" INTO CONCRETE OR MASONRY. THE BOLTS SHALL BE LOCATED IN THE MIDDLE THIRD OF THE WIDTH OF THE PLATE. THERE SHALL BE A MINIMUM TWO ANCHOR BOLTS PER PLATE SECTION.
- 11) FOUNDATION DRAINAGE—DAMP PROOFING OR WATERPROOFING PER SECTION 405 AND 406 OF NC BUILDING CODE.
- 12) WALL AND ROOF CLADDING VALUES:
WALL CLADDING SHALL BE DESIGNED FOR 28.0 POUNDS PER SQUARE FOOT (LBS/SQFT) OR GREATER POSITIVE AND NEGATIVE PRESSURE. ROOF VALUES BOTH POSITIVE AND NEGATIVE SHALL BE AS FOLLOWS:
39.0 LBS/SQFT FOR ROOF PITCHES 0/12 TO 1.5/12
36.0 LBS/SQFT FOR ROOF PITCHES 1.5/12 TO 6/12
18.0 LBS/SQFT FOR ROOF PITCHES 6/12 TO 12/12
**MEAN ROOF HEIGHT 30'-0" OR LESS
- 13) FOR ROOF SLOPES FROM 2/12 THROUGH 4/12, BUILDER TO INSTALL 2 LAYERS OF 15# FELT PAPER.
- 14) REFER TO SECTION R602.3 FOR FRAMING OF ALL WALLS OVER 10'-0" IN HEIGHT.
- 15) PROVIDE CONTINUOUS SHEATHING PER SECTION 602.10.3 OF THE 2018 IRC.
- 16) UPLIFT LOADS GREATER THAN 500# SHALL BE CONTINUOUSLY ANCHORED TO THE FOUNDATION.
- 17) REFER TO TABLE N1102.1 FOR PRESCRIPTIVE BUILDING ENVELOPE THERMAL COMPONENT CRITERIA.
- 18) PSL COLUMNS DESIGNED WITH MAXIMUM HEIGHT OF 9'-0" (U.N.O.)
- 19) PROVIDE A MINIMUM OF 500# UPLIFT & LATERAL CONNECTION AT TOP AND BOTTOM OF PORCH COLUMNS. (U.N.O.)
- 20) MAXIMUM MASONRY PEIR HEIGHT SHALL NOT EXCEED FOUR TIMES ITS LEAST HORIZONTAL DIMENSION.
- 21) IT IS THE CONTRACTORS RESPONSIBILITY TO VERIFY ALL DIMENSIONS AND SQUARE FOOTAGE PRIOR TO CONSTRUCTION. TYNDALL ENGINEERING & DESIGN, PA IS NOT RESPONSIBLE FOR DIMENSION OR SQUARE FOOTAGE ERRORS ONCE CONSTRUCTION BEGINS.

CLIMATE ZONES	FENESTRATION U-FACTOR ^a	SKYLIGHT ^b U-FACTOR	GLAZED FENESTRATION SHGC ^{c,m}	CEILING ⁿ R-VALUE	WOOD FRAMED WALL R-VALUE	MASS WALL R-VALUE ¹	FLOOR R-VALUE	BASEMENT ⁴ WALL R-VALUE	SLAB ⁵ R-VALUE AND DEPTH	CRAWL SPACE ⁶ WALL R-VALUE
3	0.35	0.55	0.30	38 or 30 cont ^l	15 or 13 + 2.5 ^h	5/13 or 5/10 cont ^l	19	5/13 ¹	0	5/13
4	0.35	0.55	0.30	38 or 30 cont ^l	15 or 13 + 2.5 ^h	5/13 or 5/10 cont ^l	19	10/15	10	10/15
5	0.35	0.55	NR	38 or 30 cont ^l	19 ^o or 13 + 5 ^h or 15 + 3 ^h	13/17 or 13/12.5 cont ^l	30 ^o	10/15	10	10/15

TABLE N1102.1 CLIMATE ZONES 3-5

NO SCALE

a. R-VALUES ARE MINIMUM U-FACTORS AND SHGC ARE MAXIMUMS. WHEN INSULATION IS INSTALLED IN A CAVITY WHICH IS LESS THAN THE LABEL OR DESIGN THICKNESS OF THE INSULATION, THE INSTALLED R-VALUE OF THE INSULATION SHALL NOT BE LESS THAN THE R-VALUE SPECIFIED IN THE TABLE.

b. THE FENESTRATION U-FACTOR COLUMN EXCLUDES SKYLIGHTS. THE SOLAR HEAT GAIN COEFFICIENT (SHGC) COLUMN APPLIES TO ALL GLAZED FENESTRATION.

c. "10/15" MEANS R-10 CONTINUOUS INSULATED SHEATHING ON THE INTERIOR OR EXTERIOR OF THE HOME OR R-15 CAVITY INSULATION AT THE INTERIOR OF THE BASEMENT WALL OR CRAWL SPACE WALL.

d. FOR MONOLITHIC SLAB INSULATION SHALL BE APPLIED FROM THE INSPECTION GAGE DOWNWARD TO THE BOTTOM OF THE FOOTING OR A MAXIMUM OF 24" BELOW GRADE WHOSEVER IS LESS. FOR FLOATING SLABS, INSULATION SHALL EXTEND TO THE BOTTOM OF THE FOUNDATION WALL OR 24" WHOSEVER IS LESS. R-5 SHALL BE ADDED TO THE REQUIRED SLAB EDGE R-VALUES FOR HEATED SLABS.

e. SELECTED

f. BASEMENT WALL INSULATION IS NOT REQUIRED IN WARM-HUMID LOCATIONS AS DEFINED BY FIGURE N1102.2 AND TABLE N1102.7.

g. OR INSULATION SUFFICIENT TO FILL THE FRAMING CAVITY. R-19 MINIMUM.

h. THE FIRST VALUE IS CAVITY INSULATION. THE SECOND VALUE IS CONTINUOUS INSULATION. SO "13+5" MEANS R-13 CAVITY INSULATION PLUS R-5 INSULATED SHEATHING. "15+3" MEANS R-15 CAVITY INSULATION PLUS R-3 INSULATED SHEATHING. E-STRUCTURAL SHEATHING COVERS 25% OR LESS OF THE EXTERIOR. INSULATING SHEATHING IS NOT REQUIRED WHERE THE STRUCTURAL SHEATHING IS USED. IF STRUCTURAL SHEATHING COVERS MORE THAN 25 PERCENT OF THE EXTERIOR, SHALL BE SUPPLEMENTED WITH INSULATED SHEATHING OF AT LEAST R-2. "12 + 2.5" MEANS R-13 CAVITY INSULATION PLUS R-2.5 SHEATHING.

i. FOR MASS WALLS, THE SECOND R-VALUE APPLIES WHEN MORE THAN HALF THE INSULATION IS ON THE INTERIOR MASS WALL.

j. IN ADDITION TO THE EXEMPTION IN SECTION N1102.3.3, A MAXIMUM OF TWO GLAZED FENESTRATION PRODUCT ASSEMBLIES HAVING A U-FACTOR NO GREATER THAN 0.55 SHALL BE PERMITTED TO BE SUBSTITUTED FOR MINIMUM CODE COMPLIANT FENESTRATION PRODUCT ASSEMBLIES WITHOUT PENALTY.

k. IN ADDITION TO THE EXEMPTION IN SECTION N1102.3.3, A MAXIMUM OF TWO GLAZED FENESTRATION PRODUCT ASSEMBLIES HAVING A SHGC NO GREATER THAN 0.70 SHALL BE PERMITTED TO BE SUBSTITUTED FOR MINIMUM CODE COMPLIANT FENESTRATION PRODUCT ASSEMBLIES WITHOUT PENALTY.

l. R-5 SHALL BE DEEMED TO SATISFY THE CEILING INSULATION REQUIREMENT, WHEREVER THE FULL HEIGHT OF UNCOMPRESSED R-30 INSULATION EXTENDS OVER THE WALL TOP PLATE OF THE CEILING OPENING.

m. TABLE VALUE REQUIRED EXCEPT FOR ROOF EDGE WHERE THE SPACE IS LIMITED BY THE PITCH OF THE ROOF. THERE THE INSULATION MUST FULLY SPILL THE SPACE UP TO THE AIR BATTLE OF THE ATTIC ROOF DECK.

n. "19" FIBERGLASS BATTIS COMPRESSED AND INSTALLED IN A NOMINAL 2" x 6" FRAMING CAVITY IS DEEMED TO COMPLY. FIBERGLASS BATTIS RATED R-19 OR HIGHER COMPRESSED AND INSTALLED IN A 2x4 WALL IS NOT DEEMED TO COMPLY.

o. BASEMENT WALL MEETING THE MINIMUM MASS WALL SPECIFIC HEAT CONTENT REQUIREMENT MAY USE THE MASS WALL R-VALUE AS THE MINIMUM REQUIREMENT.

1934 SQ. FT. OF CRAWL SPACE / 150 = 12.9 SQ. FT. OF REQ'D VENTILATION WITHOUT CROSS VENTILATION
12.9 SQ. FT. OF VENTILATION REQ'D / 0.45 SQ.FT. PER VENT = 29 VENTS REQ'D!

-OR-

1934 SQ. FT. OF CRAWL SPACE / 1500 = 1.29 SQ. FT. OF REQ'D VENTILATION WITH CROSS VENTILATION
1.29 SQ. FT. OF VENTILATION REQ'D / 0.45 SQ.FT. PER VENT = 3 VENTS REQ'D!

- 1) VENT LOCATIONS MAY VARY FROM THOSE SHOWN ON PLAN. HOWEVER VENTS SHALL BE PLACED TO PROVIDE ADEQUATE VENTILATION AT ALL POINTS AND TO PREVENT DEAD AIR POCKETS.
- 2) THE TOTAL AREA OF VENTILATION OPENINGS MAY BE REDUCED TO 1/1500 OF THE CRAWL SPACE GROUND AREA WHERE THE REQUIRED OPENINGS ARE PLACED SO AS TO PROVIDE CROSS VENTILATION OF THE CRAWL SPACE. THE INSTALLATION OF OPERABLE COVERS SHALL NOT BE PROHIBITED. ONE FOUNDATION VENT SHALL BE WITHIN 3 FEET OF EACH CORNER OF THE BUILDING. TO PREVENT HARBORING ENTRY WHEN THE CRAWL SPACE IS BUILT ON A SLOPED SITE, THE UPPER FOUNDATION WALLS MAY BE CONSTRUCTED WITHOUT WALL VENT OPENINGS. VENT DAMS SHALL BE PROVIDED WHEN THE BOTTOM OF THE FOUNDATION VENT OPENING IS LESS THAN 4 INCHES ABOVE THE FINISHED EXTERIOR GRADE.
- WALL VENTED CRAWL SPACES REQUIRE FULL COVERAGE GROUND VAPOR RETARDERS.

CRAWL SPACE VENTILATION CALCULATION

4190 SQ. FT. OF ATTIC / 300 = 13.96 SQ. FT. INLETS/OUTLETS REQUIRED

- 1) CALCULATION BASED ON VENTILATORS USED AT LEAST 3'-0" ABOVE THE CONCRETE VENTS WITH THE BALANCE OF VENTILATION PROVIDED BY EAVE VENTS.
- 2) CATHEDRAL CEILINGS SHALL HAVE A 1" MINIMUM CLEARANCE BETWEEN THE BOTTOM OF THE ROOF DECK AND THE INSULATION.

ATTIC VENTILATION CALCULATION

NO SCALE

DEFINITIONS FOR COMMON ABBREVIATIONS

ALT = ALTERNATE	MAX = MAXIMUM
CANT = CANTILEVER	MIN = MINIMUM
CJ = CEILING JOIST	NOM = NOMINAL
CMU = CONCRETE MASONRY UNIT	O.C. = ON CENTER
COL = COLUMN	PL = PLATE
CONC = CONCRETE	PT = PRESSURE TREATED
CONT = CONTINUOUS	REIN = REINFORCED
CONT = COLLAR TIE	REQD = REQUIRED
DBL = DOUBLE	RJ = ROOF JOIST
Dia = DIAMETER	RS = ROOF SUPPORT
DJ = DOUBLE JOIST	SC = STUD COLUMN
DR = DOUBLE RAFTER	SOH = SCHEDULE
EA = EACH	SPEC = SPECIFIED
EE = EACH END	THK = THICK
FJ = FLOOR JOIST	TJ = TRIPLE JOIST
FND = FOUNDATION	TRD = TREATED
FTG = FOOTING	TYP = TYPICAL
GALV = GALVANIZED	UNO = UNLESS NOTED OTHERWISE
HORIZ = HORIZONTAL	W = WIDE FLANGE BEAM
HT = HEIGHT	WWF = WELDED WIRE FABRIC
MANUF = MANUFACTURER	XJ = EXTRA JOIST

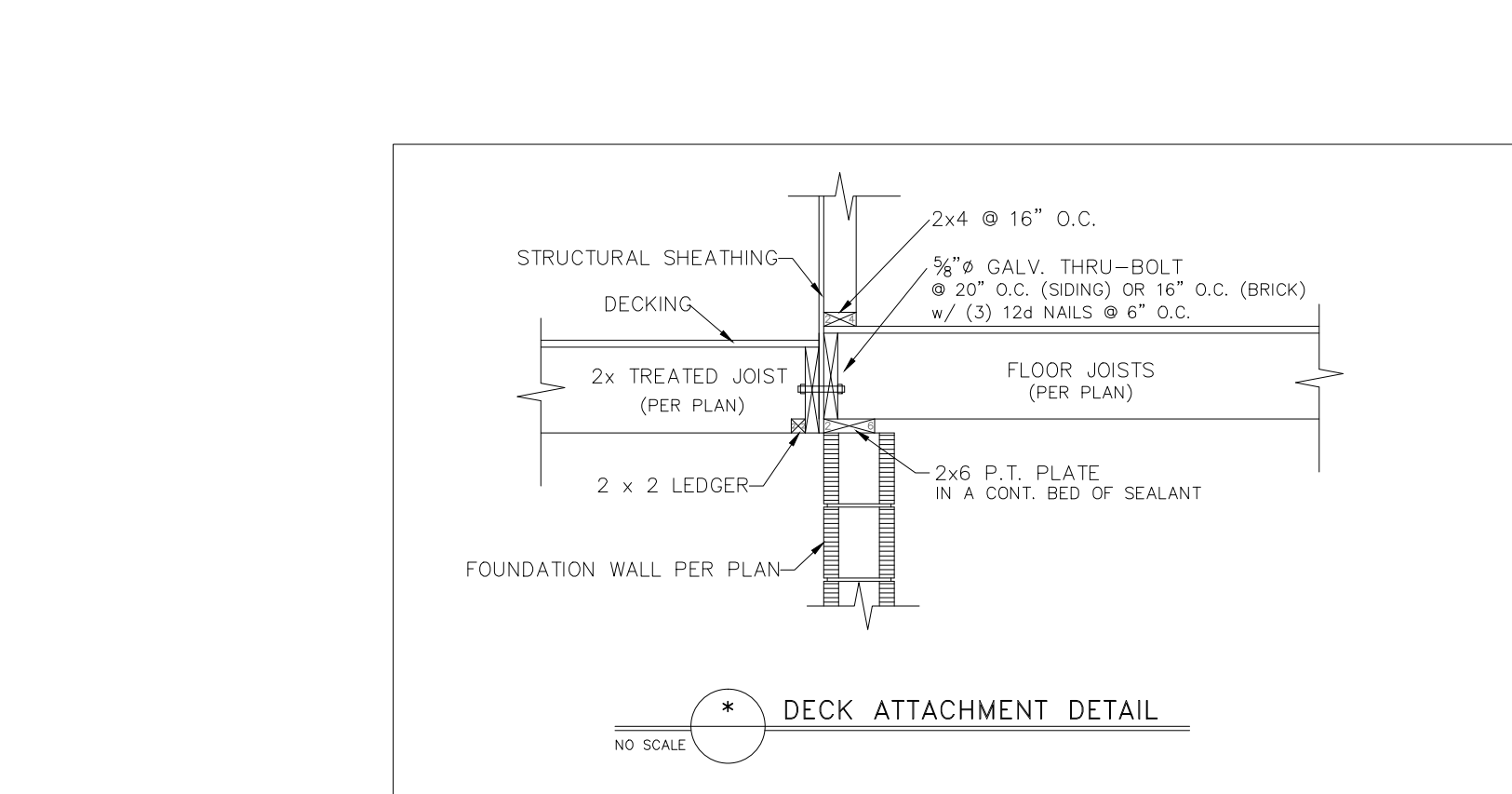
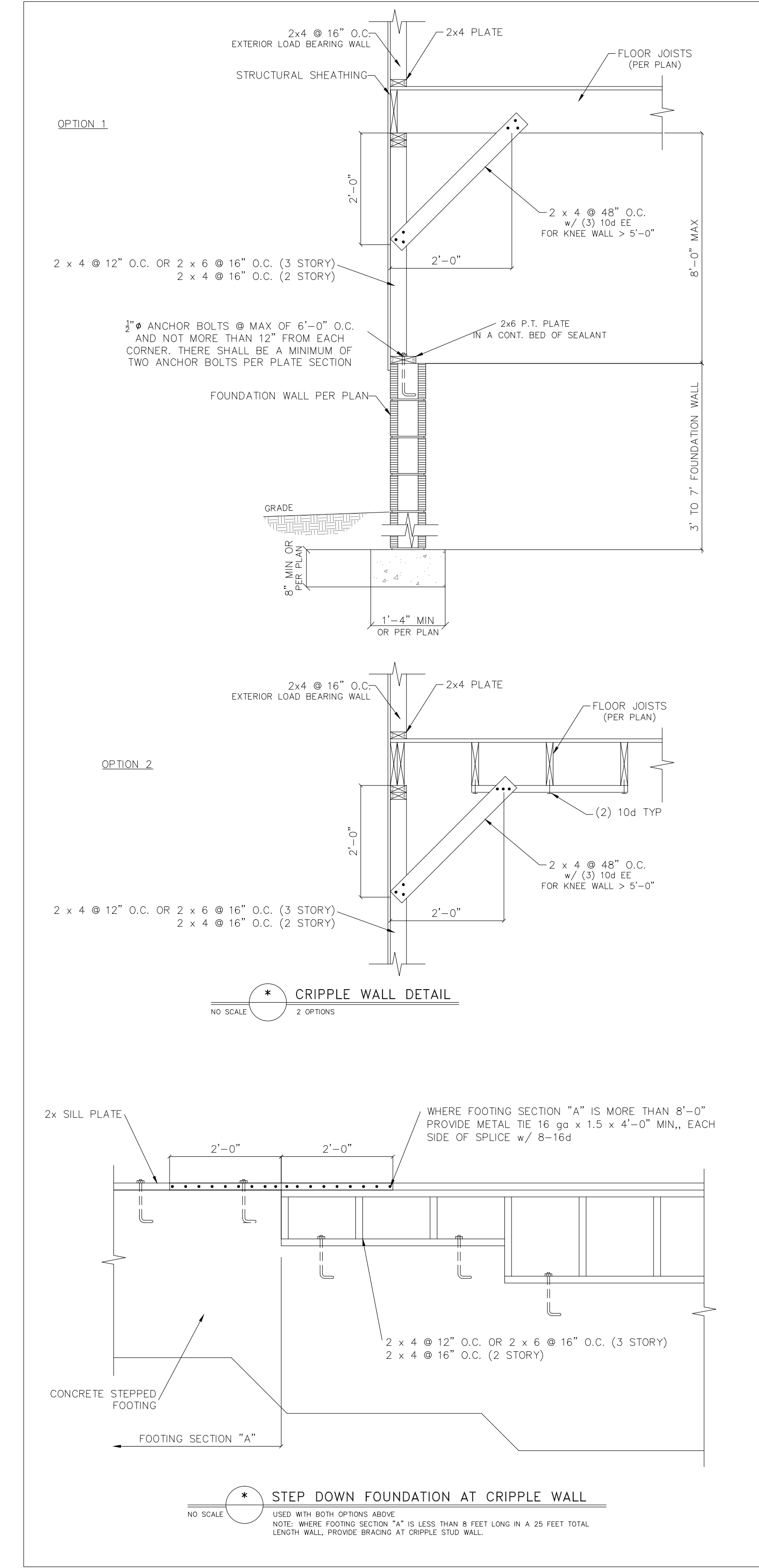
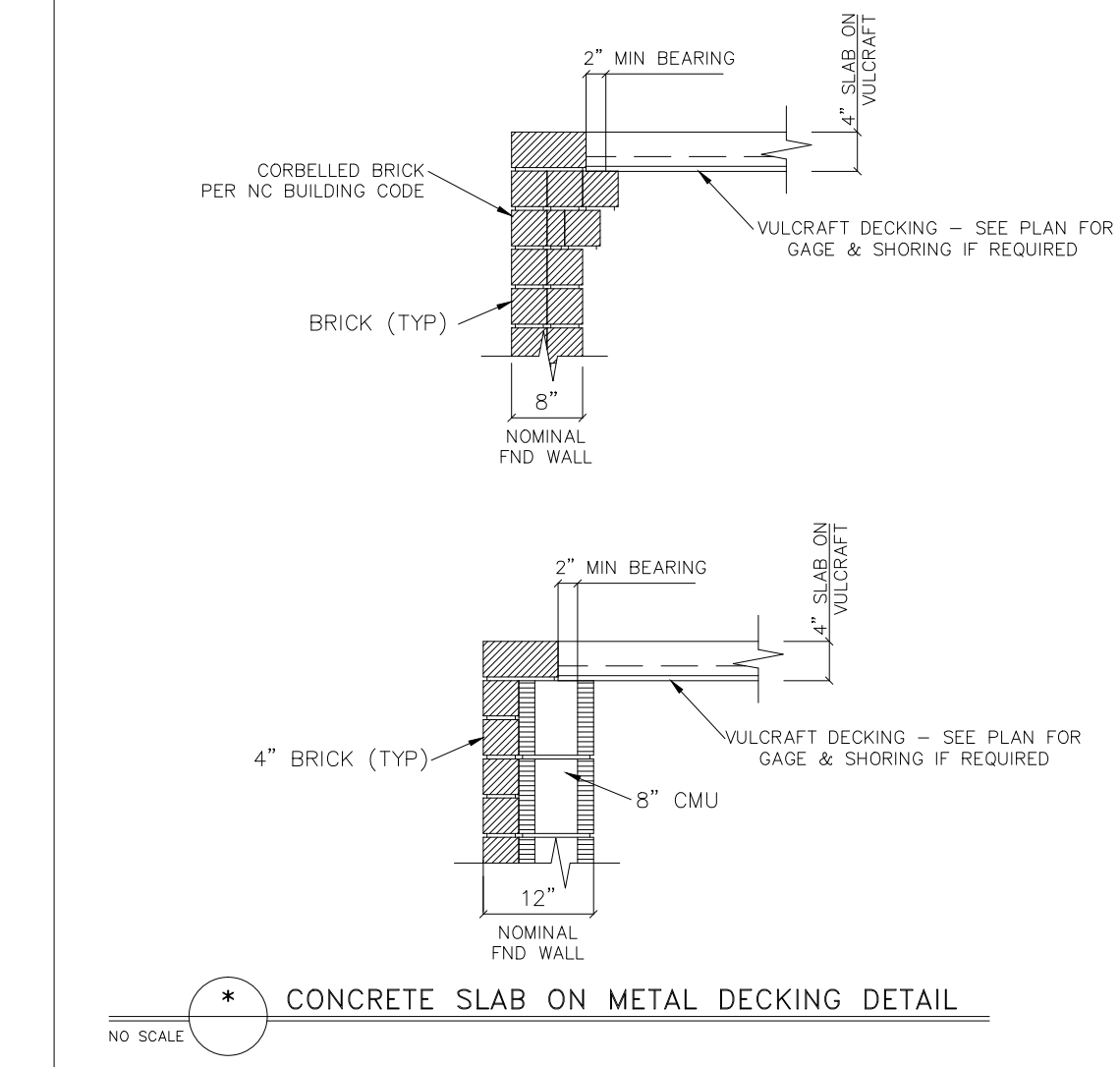
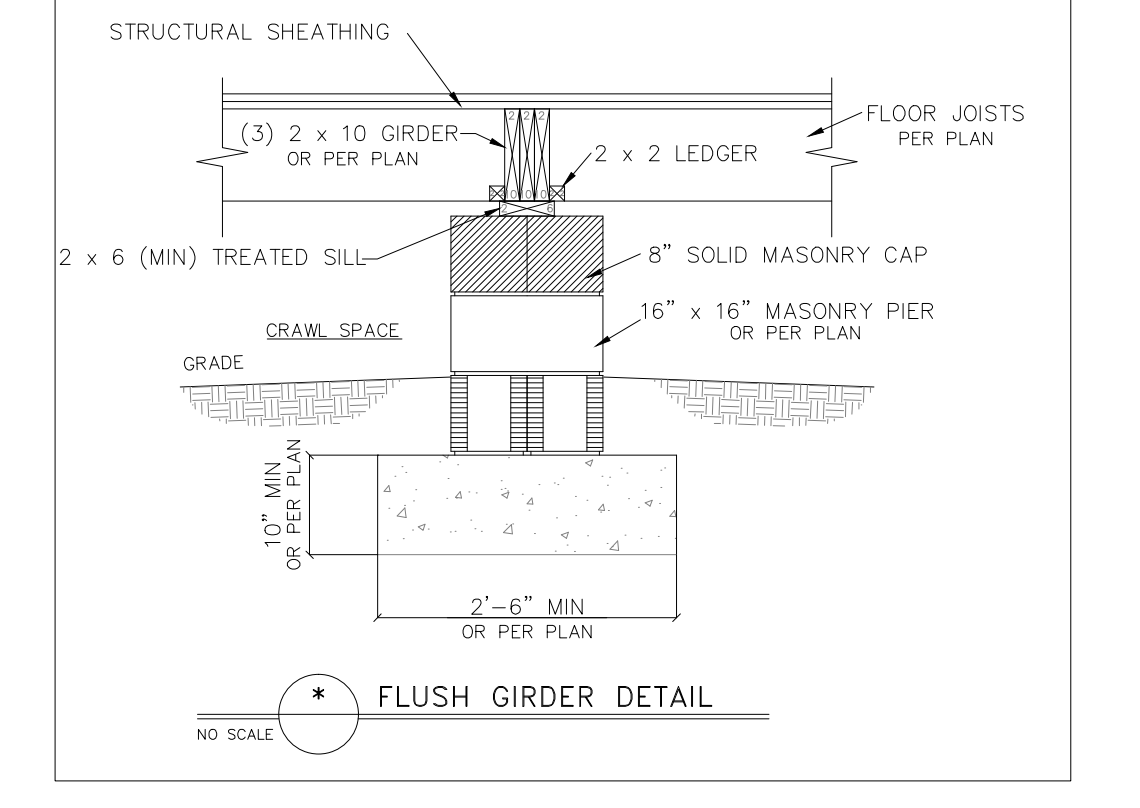
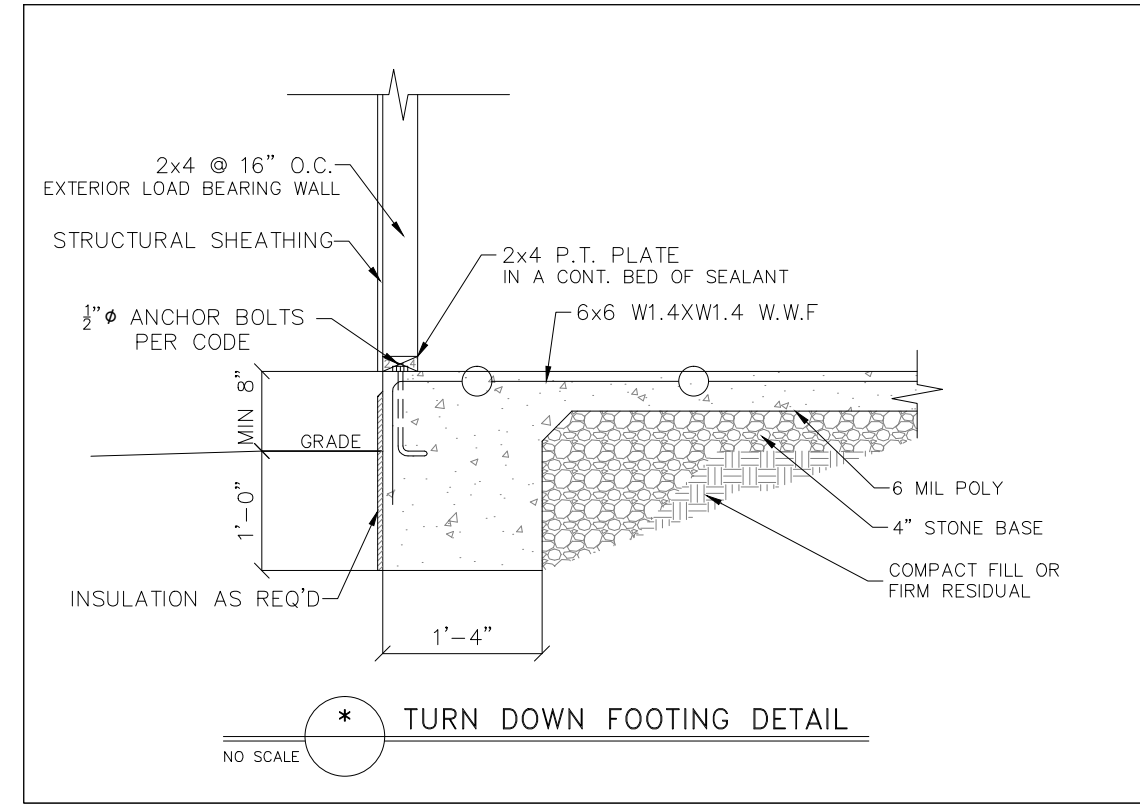
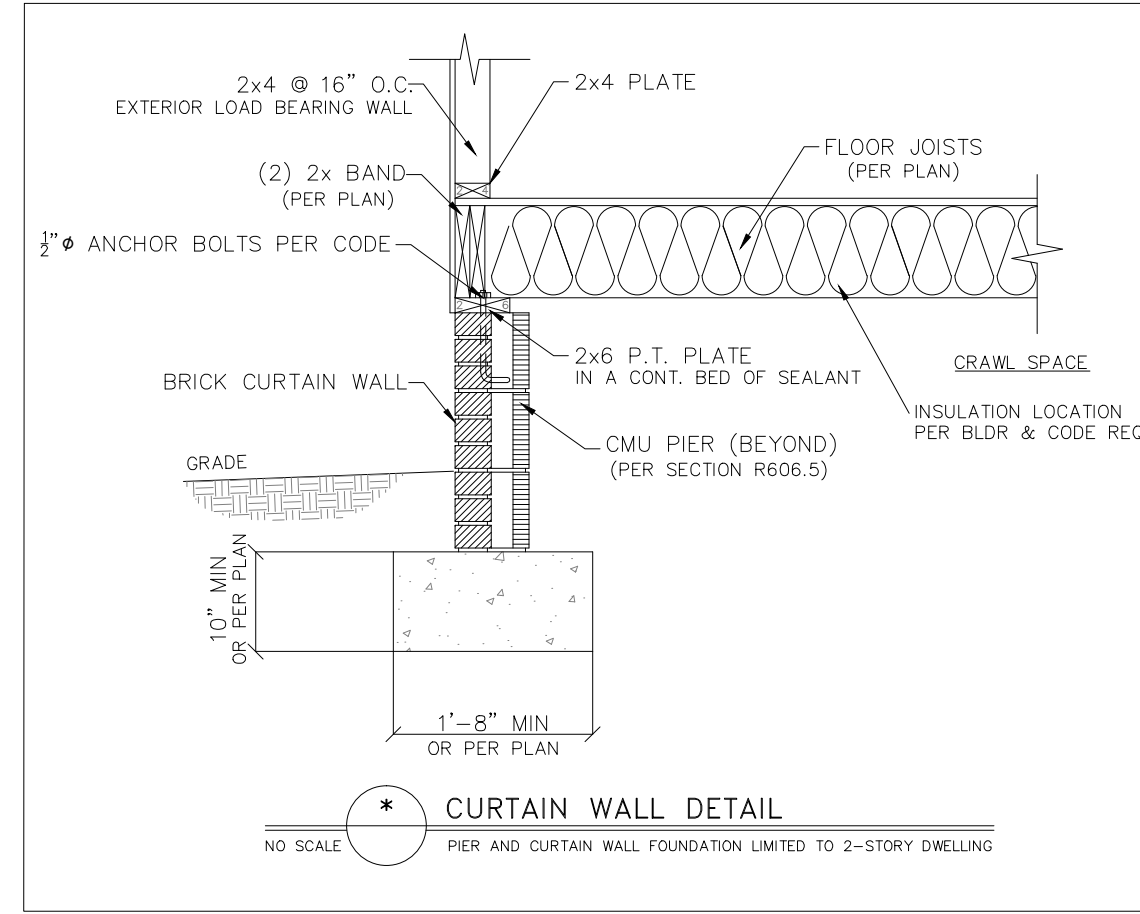
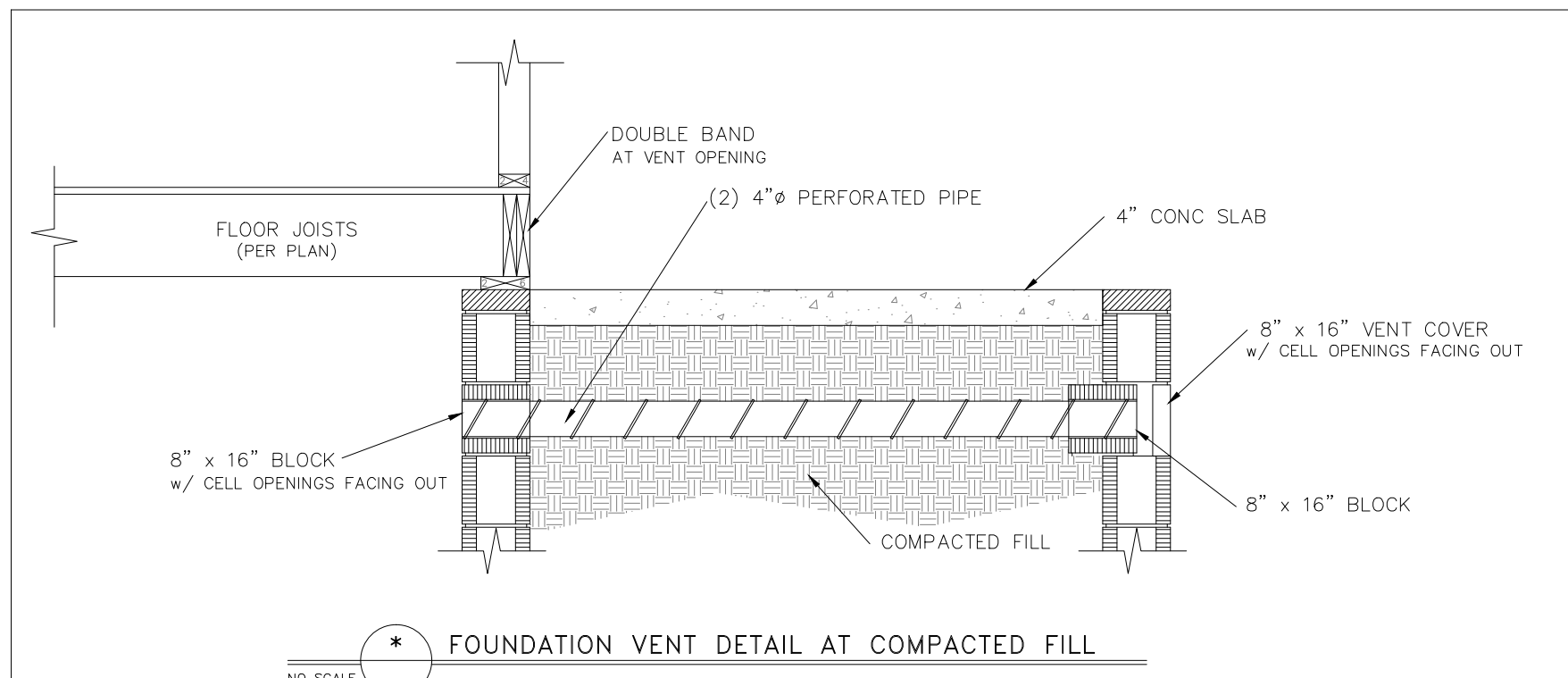
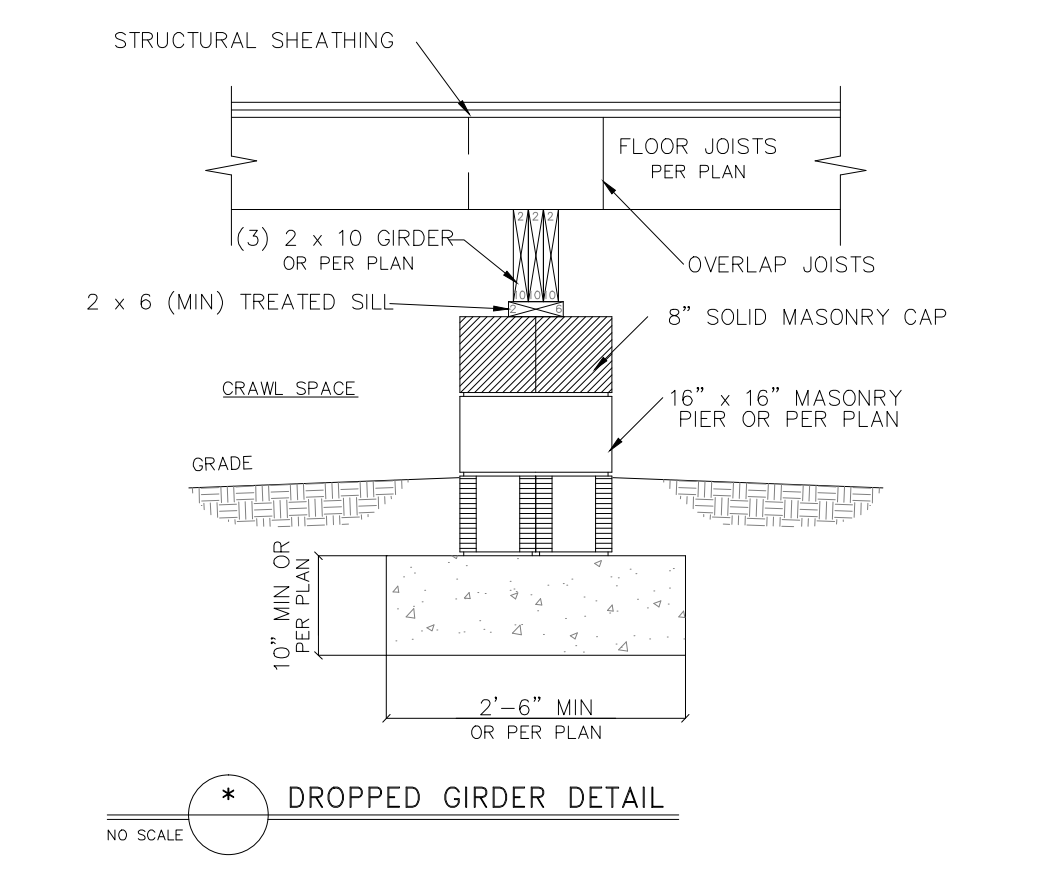
1) MAXIMUM HEIGHT OF DECK SUPPORT POSTS AS FOLLOWS:

POST SIZE	MAX. POST HEIGHT**
4 x 4	8'-0"
6 x 6	20'-0"
***	OVER 20'-0"

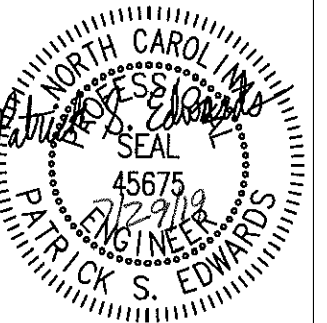
- * THIS TABLE IS BASED ON NO. 2 TREATED SOUTHERN PINE POSTS. MAXIMUM TRIBUTARY AREA IS BASED ON 128 TOTAL SQUARE FEET WHICH MAY BE LOCATED AT DIFFERENT LEVELS.
- ** FROM TOP OF FOOTING TO BOTTOM OF GRIDER
- *** DECKS WITH POST HEIGHTS OVER 20'-0" SHALL BE DESIGNED AND SEALED BY A PROFESSIONAL ENGINEER OR REGISTERED ARCHITECT.

2) DECKS SHALL BE BRACED TO PROVIDE LATERAL STABILITY BY ONE OF THESE METHODS:

- A. THE DECK FLOOR HEIGHT IS LESS THAN 4'-0" AND THE DECK IS ATTACHED TO THE STRUCTURE IN ACCORDANCE WITH SECTION (4) ABOVE. LATERAL BRACING IS NOT REQUIRED.
- B. 4 x 4 WOOD KNEE BRACES MAY BE PROVIDED ON EACH COLUMN IN BOTH DIRECTIONS. THE KNEE BRACES SHALL ATTACH TO EACH POST AT A POINT NOT LESS THAN 1/3 OF THE POST LENGTH FROM THE TOP OF THE POST, AND THE BRACES SHALL BE ANGLED BETWEEN 45° AND 60° FROM THE HORIZONTAL. KNEE BRACES SHALL BE BOLTED TO THE POST AND GRIDER WITH ONE 5/8" Ø HOT DIPPED GALVANIZED BOLT AT EACH END OF THE BRACE.
- C. FOR FREESTANDING DECKS WITHOUT KNEE BRACES OR DIAGONAL BRACING, LATERAL STABILITY MAY BE PROVIDED BY EMBEDDING THE POSTS IN ACCORDANCE WITH THE FOLLOWING:
- | POST SIZE | MAX. TRIBUTARY AREA | MAX. POST HEIGHT | EMBEDMENT DEPTH | CONCRETE DIAMETER |
|-----------|---------------------|------------------|-----------------|-------------------|
| 4 x 4 | 48 SQ. FT. | 4'-0" | 2'-6" | 1'-0" |
| 6 x 6 | 120 SQ. FT. | 6'-0" | 3'-6" | 1'-8" |
- D. 2 x 6 DIAGONAL VERTICAL CROSS BRACING MAY BE PROVIDED IN TWO (2) PERPENDICULAR DIRECTIONS FOR FREESTANDING DECKS OR PARALLEL TO THE STRUCTURE AT THE EXTERIOR COLUMN LINE FOR ATTACHED DECKS. THE 2 x 6s SHALL BE ATTACHED TO THE POSTS WITH ONE 5/8" Ø HOT DIPPED GALVANIZED BOLT AT EACH END OF EACH BRACING MEMBER.
- E. FOR EMBEDMENT OF PILES IN COASTAL REGIONS, SEE CHAPTER 46.



*Engineers and does not include construction means, methods, techniques, sequences, procedures or safety precautions.
*Any deviation or discrepancy on plans are to be brought to the immediate attention of Tyndall Engineering & Design, P.A. Failure to do so will hold Tyndall Engineering & Design, P.A. liability.
*Please review these documents carefully. Tyndall Engineering & Design, P.A. will interpret that all dimensions, recommendations, etc. presented in these documents were deemed acceptable once construction begins.



TYNDALL ENGINEERING & DESIGN, P.A.
 486 Blaylock Drive • Denver • North Carolina • 27826
 Phone: 704.775.4444 • Fax: 704.775.4444
 www.tyndallengineering.com

Client: **ANN DENNING**
 Project: **DENNING RESIDENCE**

STANDARD DETAILS

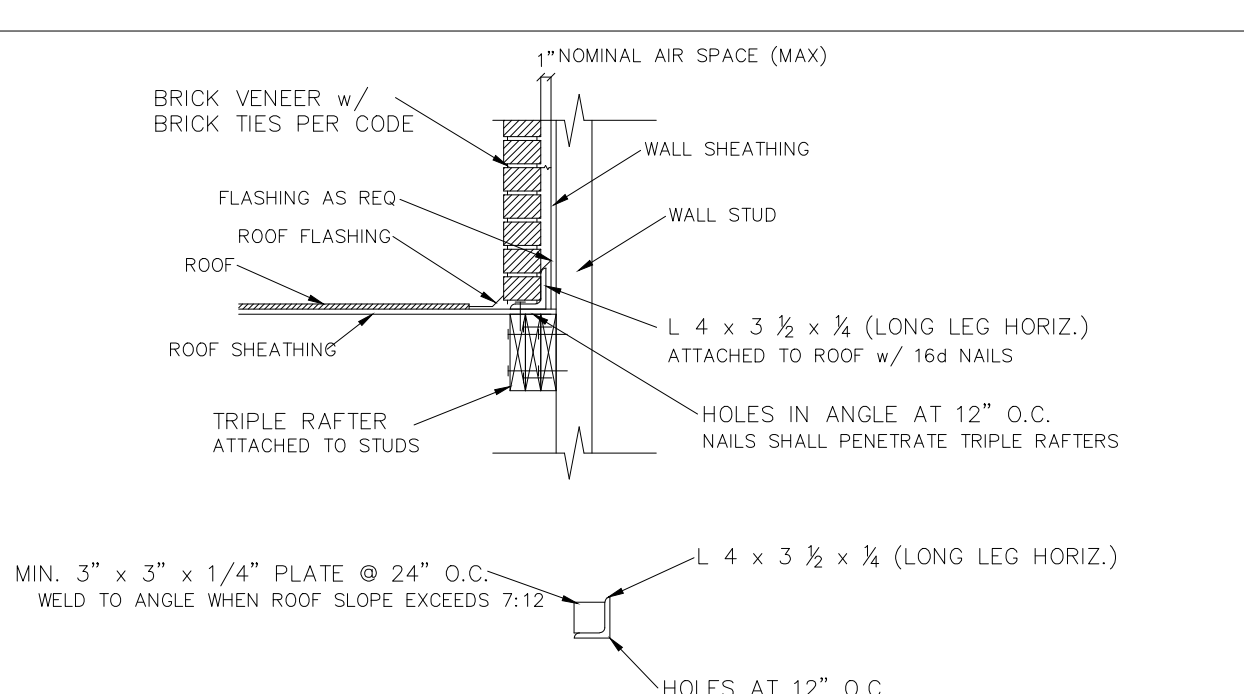
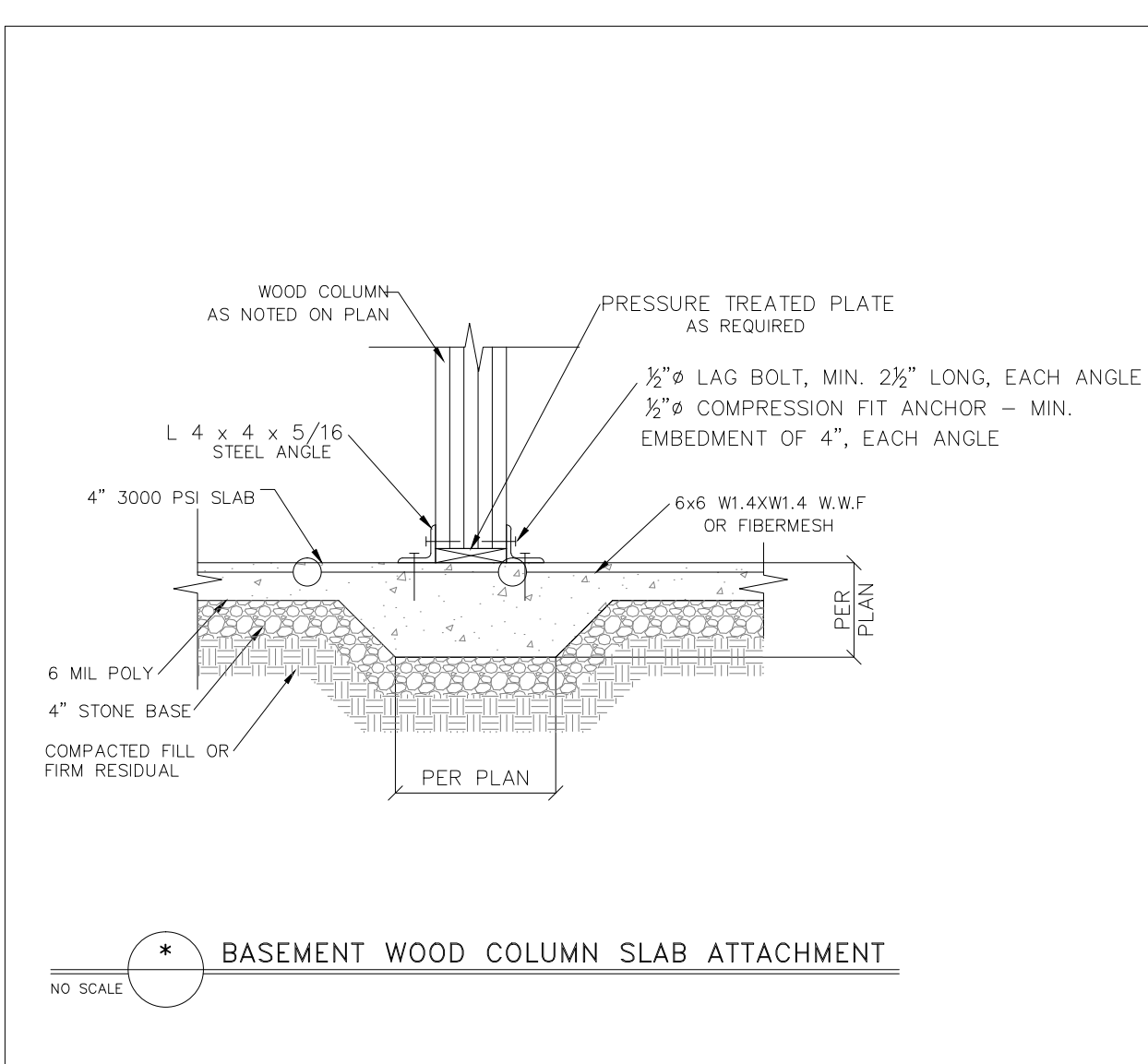
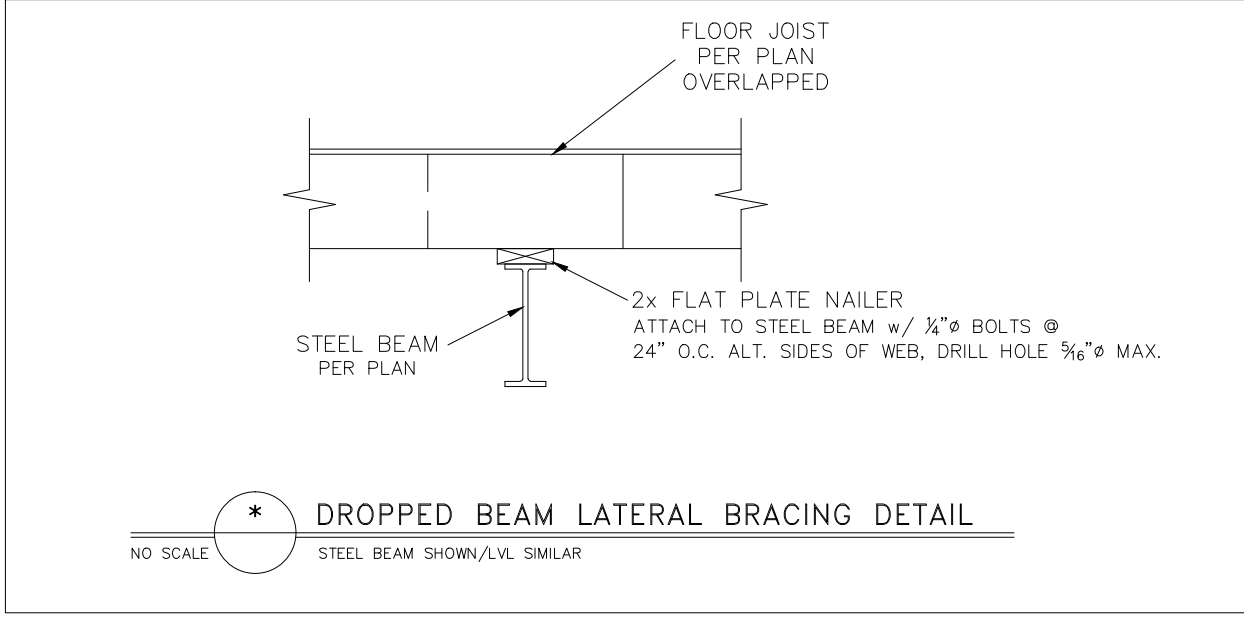
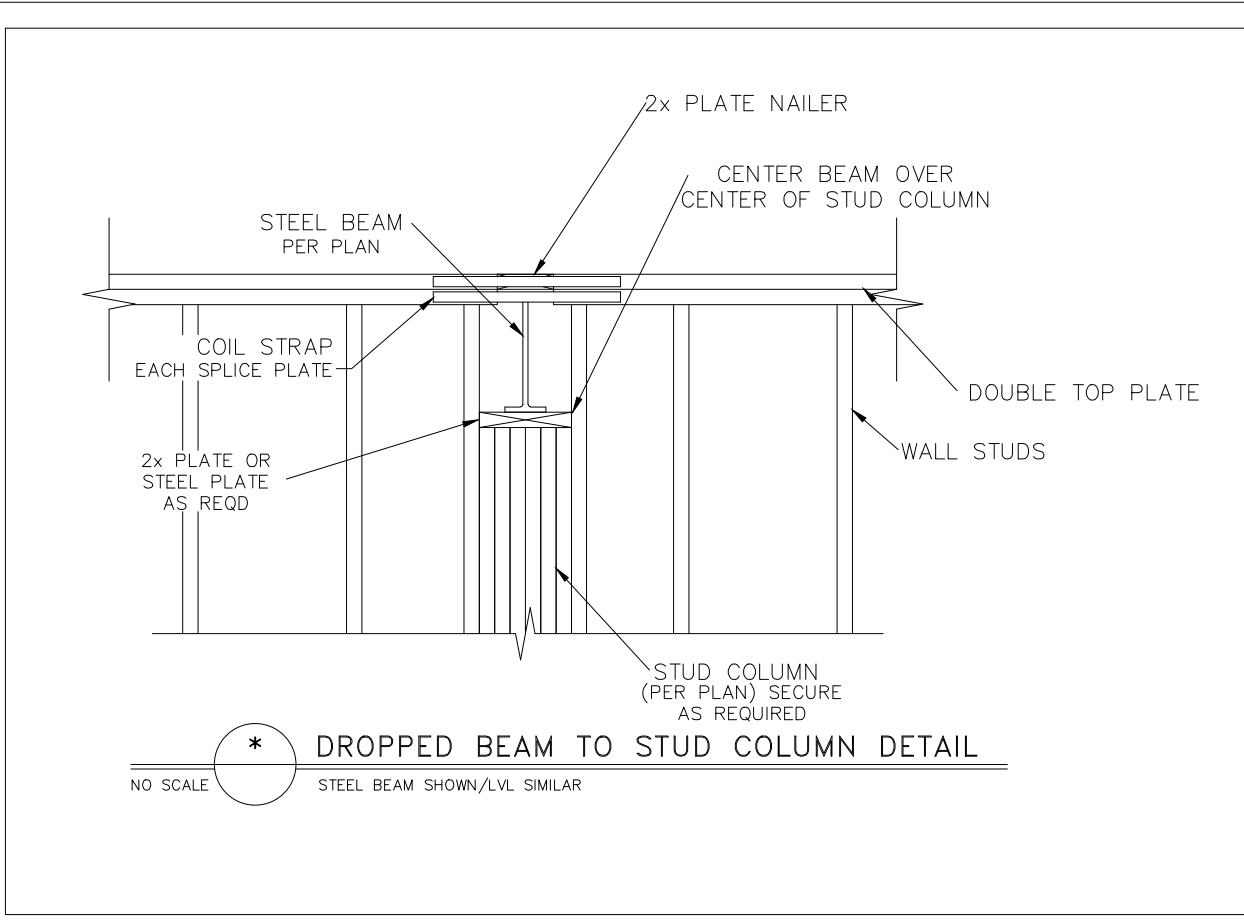
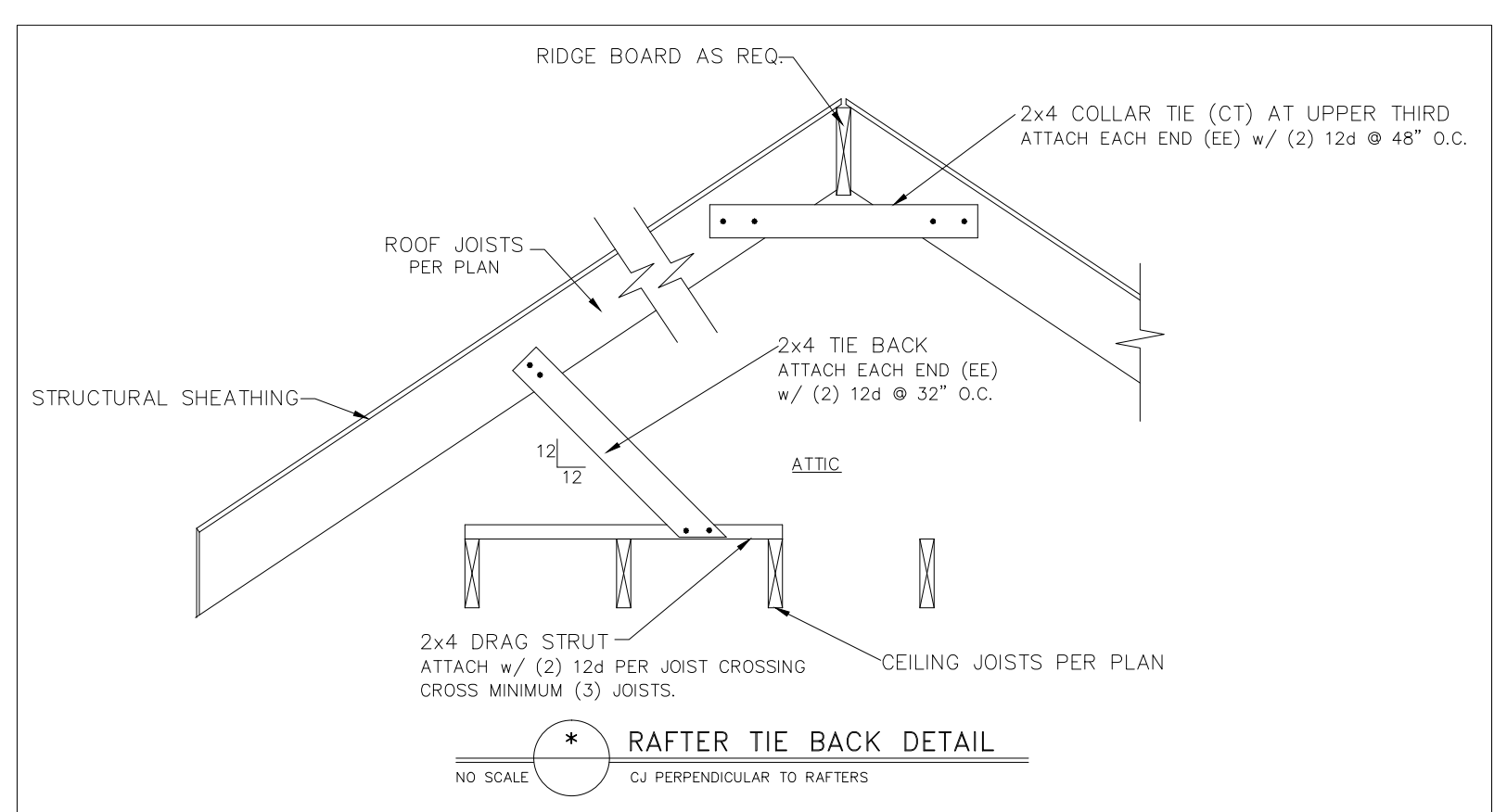
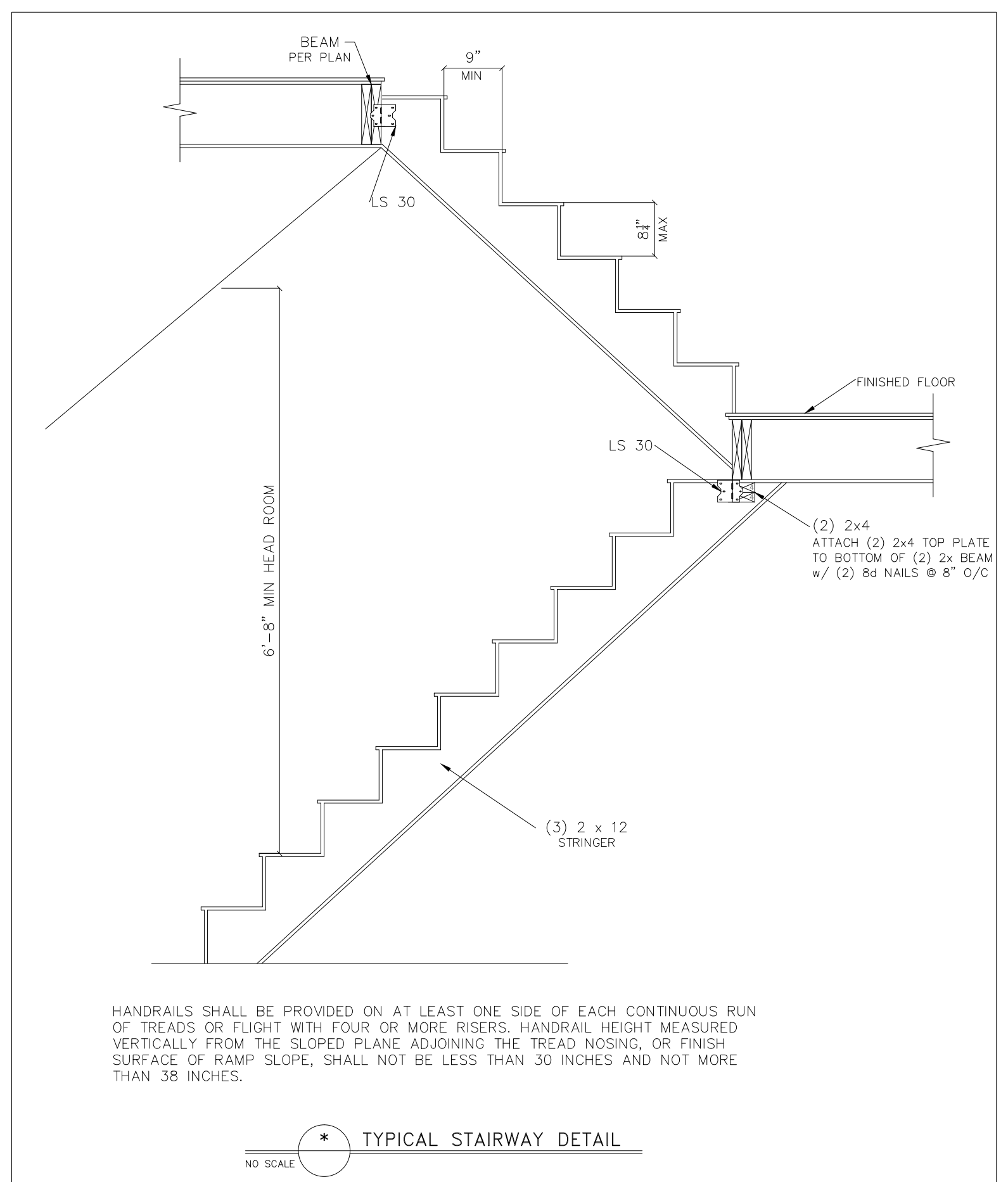
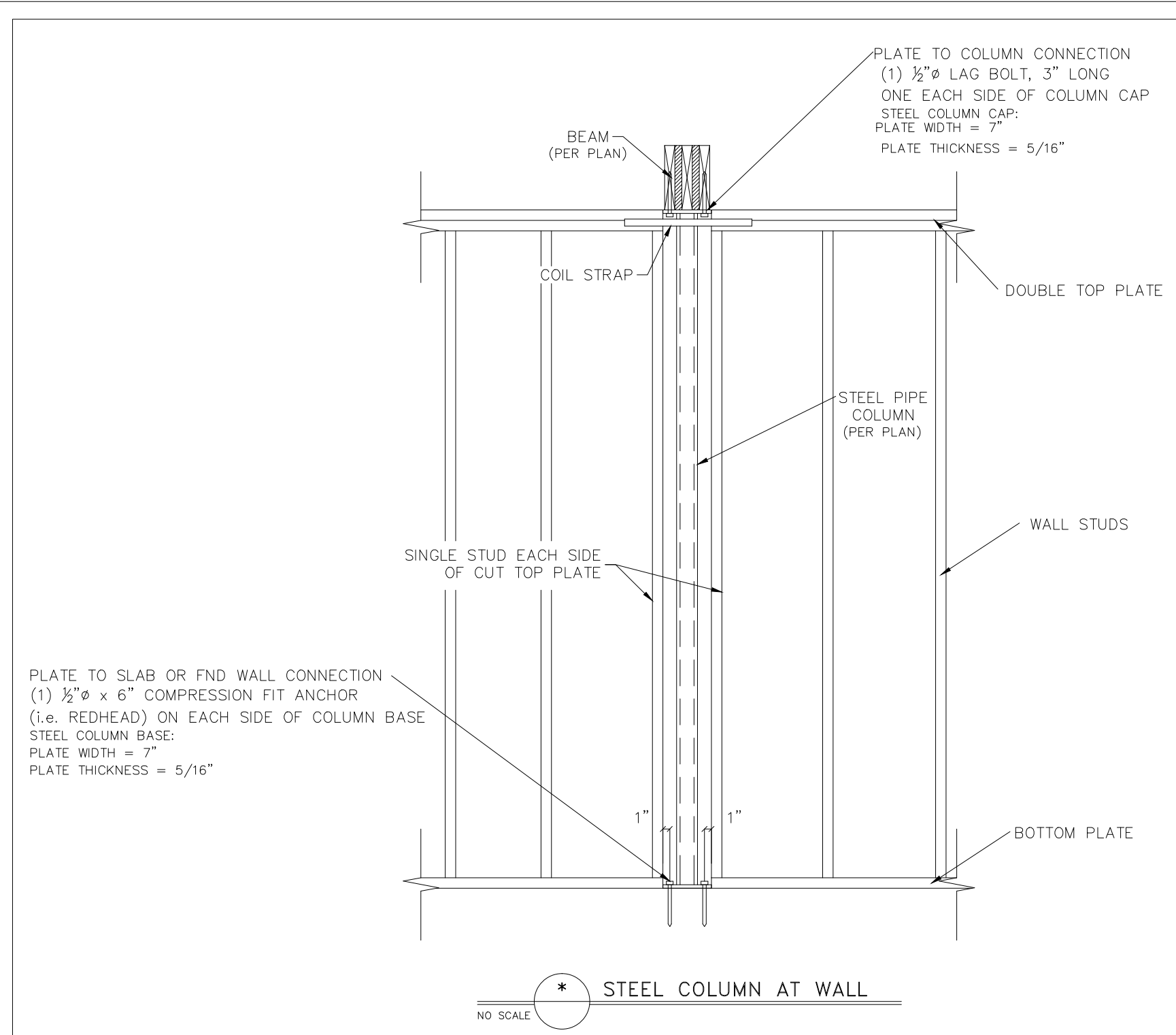
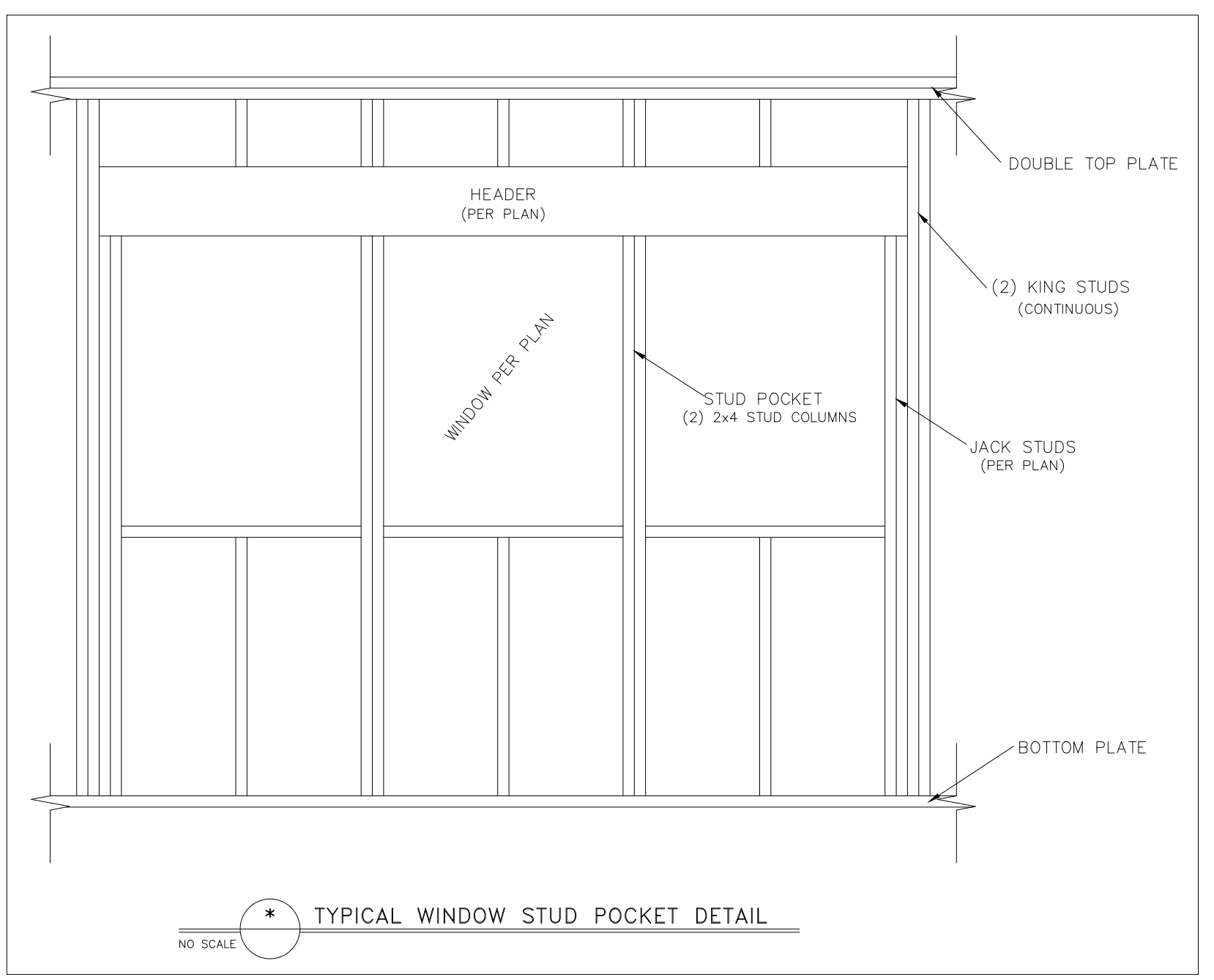
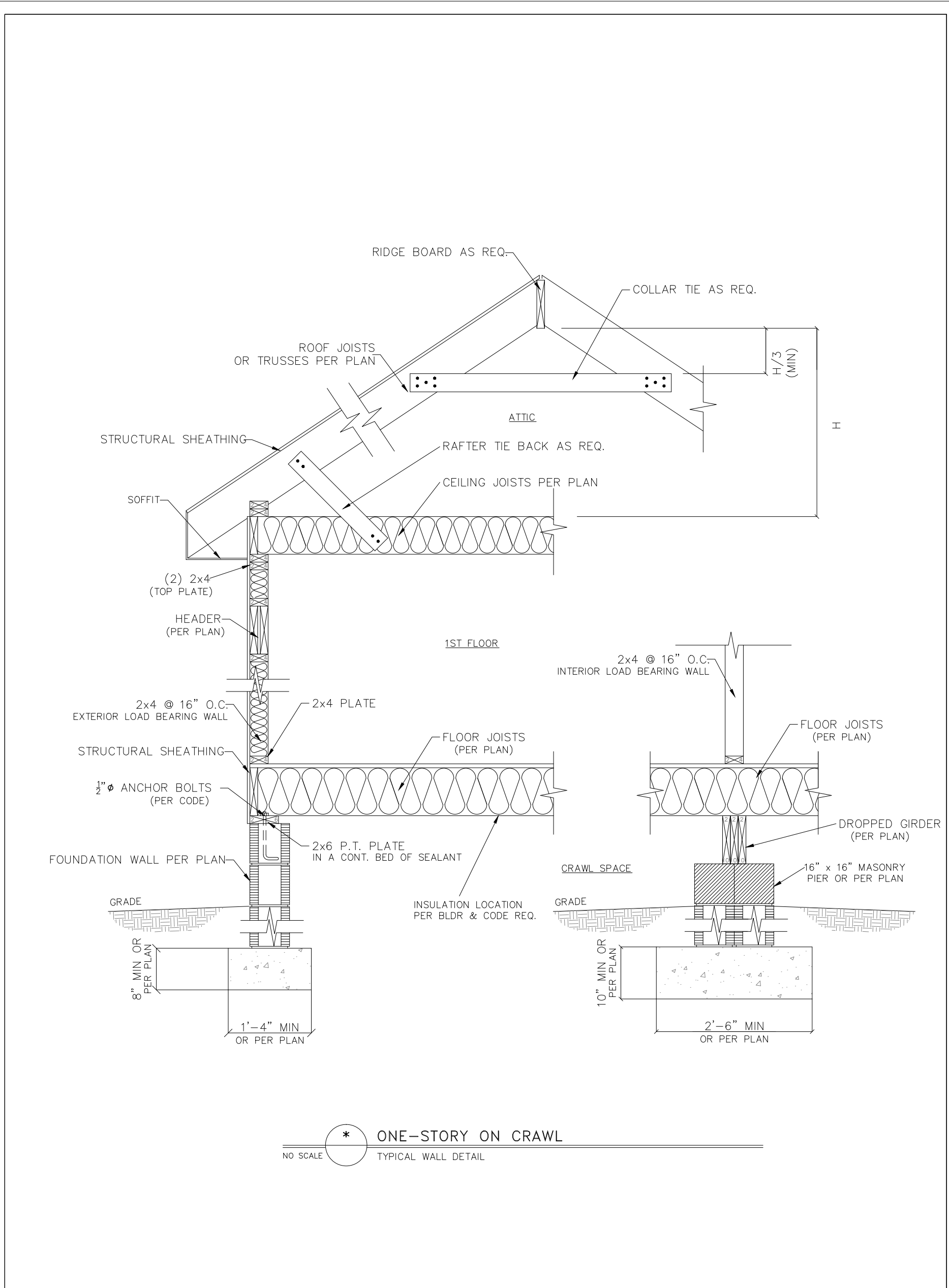
Project #: 1901-010273
 Date: 7/29/19
 Drawn/Design By: JWA
 DWG. Checked By: PTH
 Scale: NOT TO SCALE

REVISIONS		
No.	Date	Remarks

Sheet Number

D1

FILENAME: Z:\RESIDENTIAL\ENGINEERING\2019\STRUCTURAL\PROJECTS\1901-010273 - ANN DENNING - DENNING RESIDENCE\1901-010273.DWG SAVED BY: SEAN LAST PLOT DATE: 7/29/2019 11:20 AM



ALLOWABLE SPANS FOR LINTELS SUPPORTING MASONRY VENEER

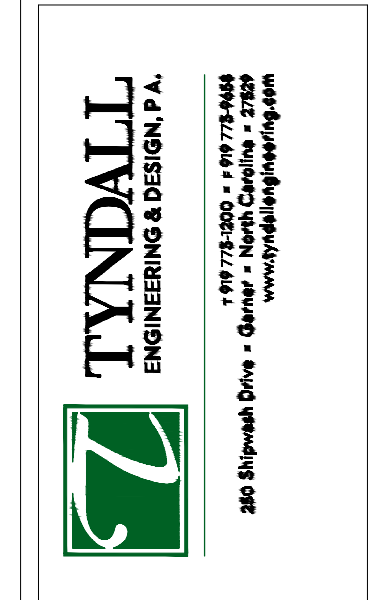
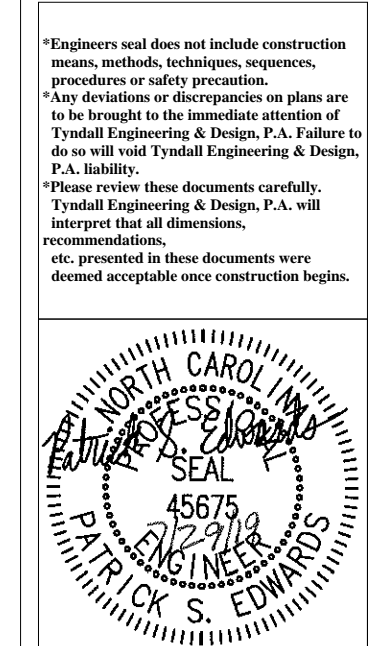
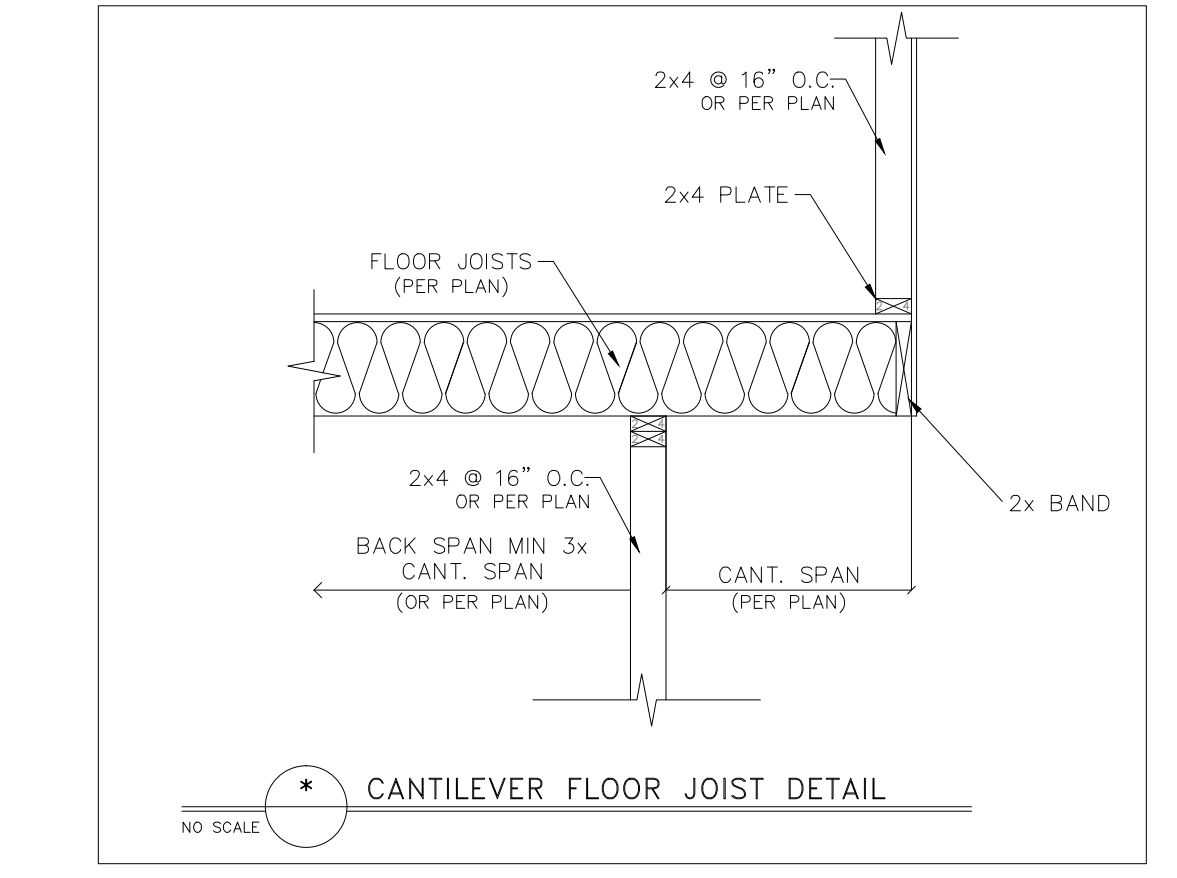
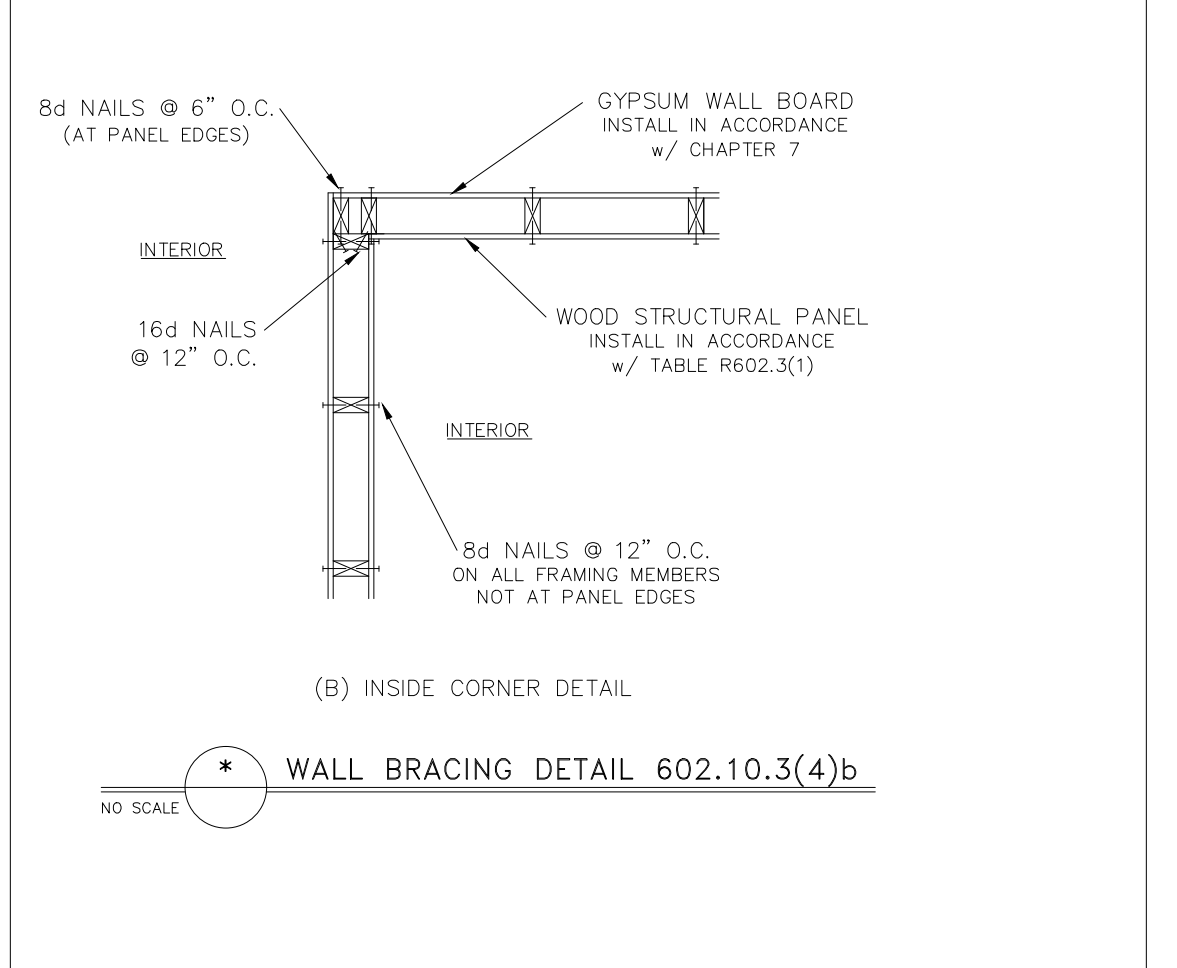
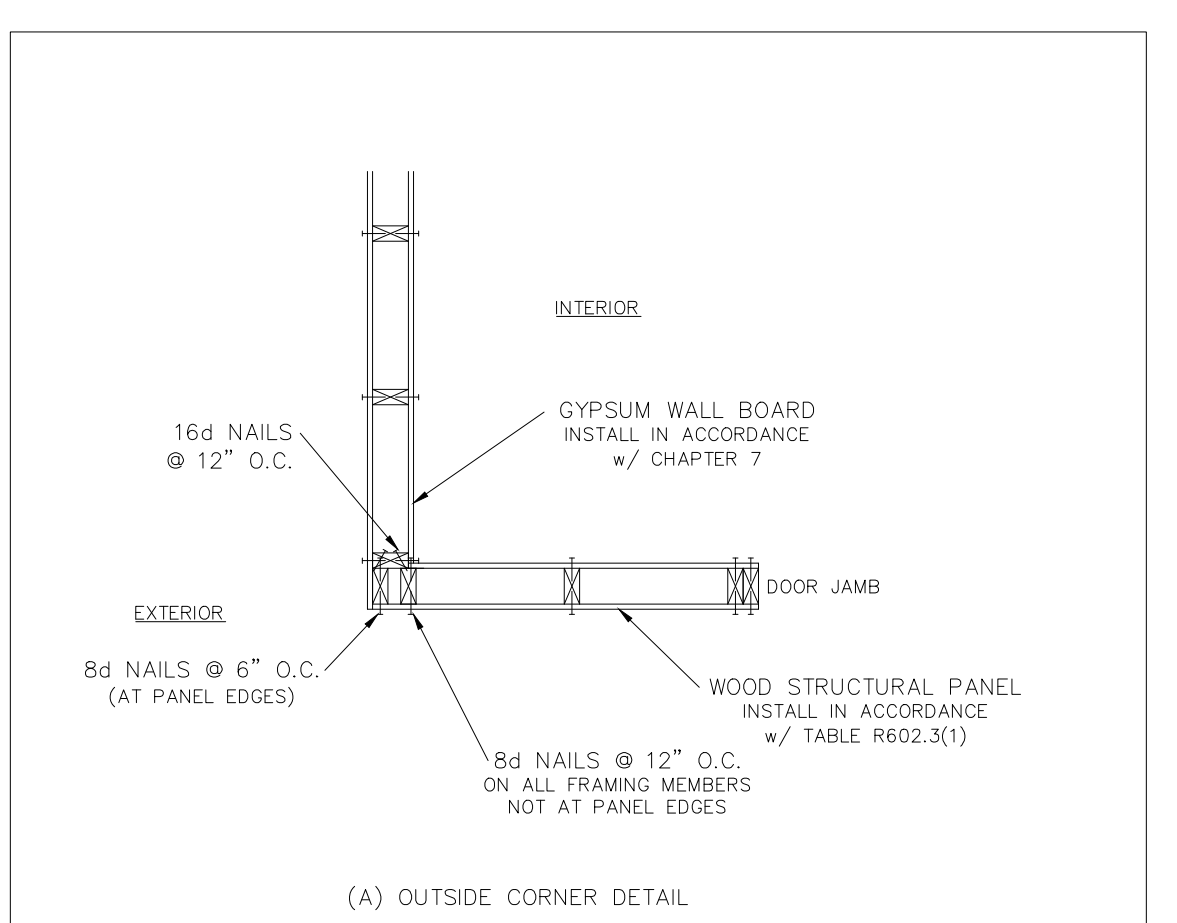
SIZE OF ANGLE ^(1,3)	NO STORY ABOVE(S)	1 STORY ABOVE(S)	2 STORIES ABOVE(S)	# OF 3/8" (OR EQUIV.) REINFORCING BARS IN REINFORCED LINTEL ^(2,4,5)
L 3 x 3 x 1/4	6'-0"	4'-6"	3'-0"	1
L 4 x 3 x 1/4	8'-0"	6'-0"	4'-6"	1
L 5 x 3 1/2 x 5/16	10'-0"	8'-0"	6'-0"	2
L 6 x 3 1/2 x 5/16	14'-0"	9'-6"	7'-0"	2
2L 5 x 3 1/2 x 5/16	20'-0"	12'-0"	9'-6"	4

- LONG LEG OF THE ANGLE SHALL BE PLACED IN A VERTICAL POSITION.
- DEPTH OF REINFORCED LINTELS SHALL NOT BE LESS THAN 8" AND ALL CELLS OF HOLLOW MASONRY LINTELS SHALL BE GROUTED. REINFORCING BARS SHALL EXTEND NOT LESS THAN 8" INTO THE SUPPORT.
- STEEL MEMBERS INDICATED ARE ADEQUATE TYPICAL EXAMPLES; OTHER STEEL MEMBERS MEETING STRUCTURAL DESIGN REQUIREMENTS SHALL BE PERMITTED TO BE USED.
- EITHER STEEL ANGLE OR REINFORCED LINTEL SHALL SPAN OPENING.
- SPANS OVER 4'-0" SHALL BE SHORED UP UNTIL CURED.

MASONRY VENEER SUPPORT FIG 703.8.3.1
NO SCALE

HARDWARE CROSS-REFERENCE CHART

SIMPSON STRONG-TIE	USP STRUCTURAL CONNECTORS
PRODUCT NUMBER	PRODUCT NUMBER
A35	MPA1
ABE	PAE
CBSQ	CBSQ
CCQ	KCCQ
CMSTC16	CMSTC16
CS	RS
H1	RT15
H2.5A	RT7A
H10	RT16
HDQ8-SDS.3	UPHD8
HDU2-SDS2.5	PHD2
HDU5-SDS2.5	PHD5
HETA	HTA
HGAM10KTA	HGAM
HHQ14-SDS2.5	UPHD14
HTS	HTW
HTT	HTT
HUS	HUS
LTA1	LPTA
LTHJA26	HJC26
LTP4	MP4F
LUS	JUS
MAS	FA3
MSTAM	MSTAM
PC	PCM
PHD-SDS3	PHD
SSP	RSP16
STC	TR1
STHD	STAD



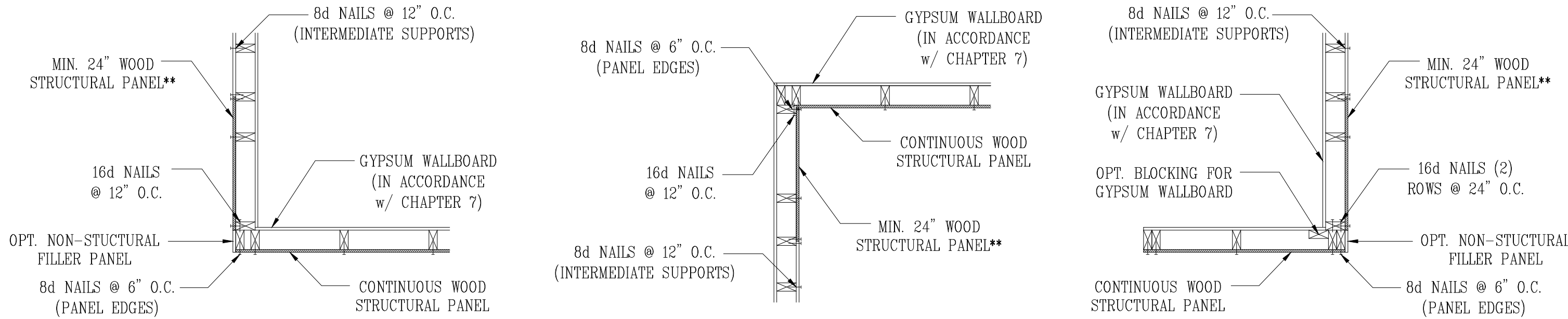
Client: **ANN DENNING**
Project: **DENNING RESIDENCE**

STANDARD DETAILS

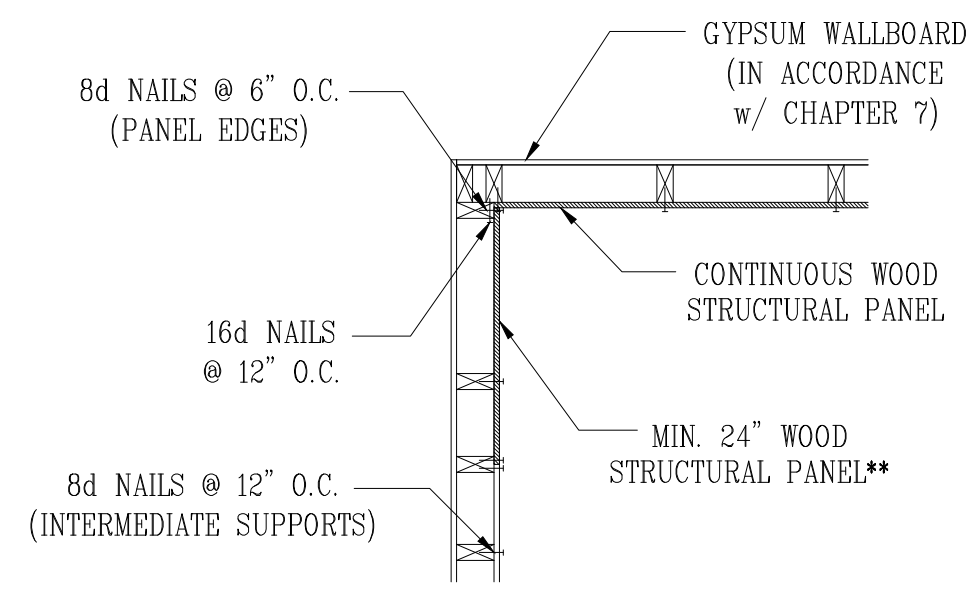
Project #: 1901-010273
Date: 7/29/19
Drawn/Design By: JWA
DWG. Checked By: PTH
Scale: NOT TO SCALE

REVISIONS		
No.	Date	Remarks

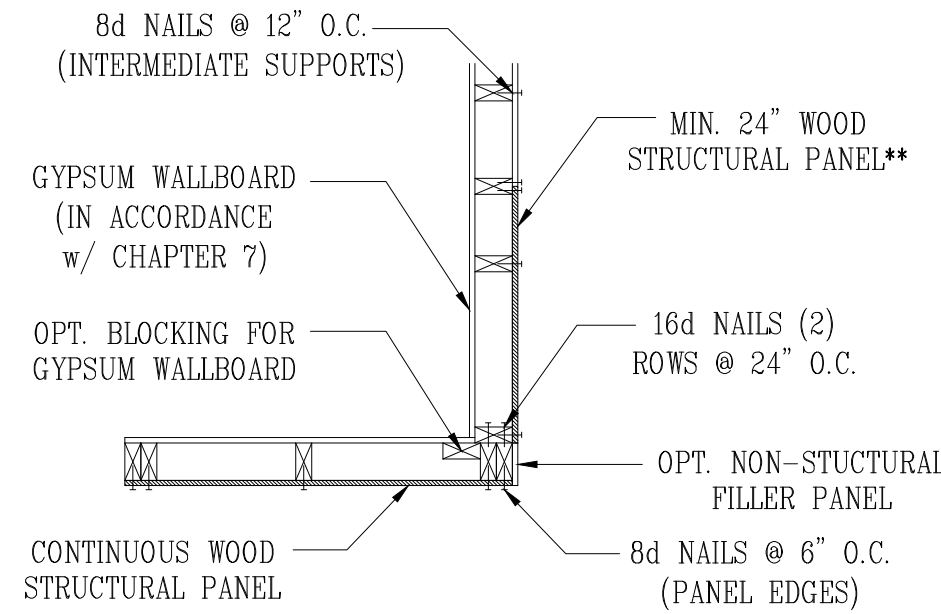
Sheet Number **D2**
of 3



a) OUTSIDE CORNER DETAIL



b) INSIDE CORNER DETAIL



c) GARAGE DOOR CORNER

** IN LIEU OF THE 24" (MIN.) CORNER RETURN, A HOLD-DOWN DEVICE WITH A MINIMUM UPLIFT DESIGN VALUE OF 800# SHALL BE FASTENED TO THE CORNER STUD AND TO THE FOUNDATION OR FRAMING BELOW.

B1: TYPICAL EXTERIOR CORNER FRAMING FOR CONTINUOUS SHEATHING
NO SCALE

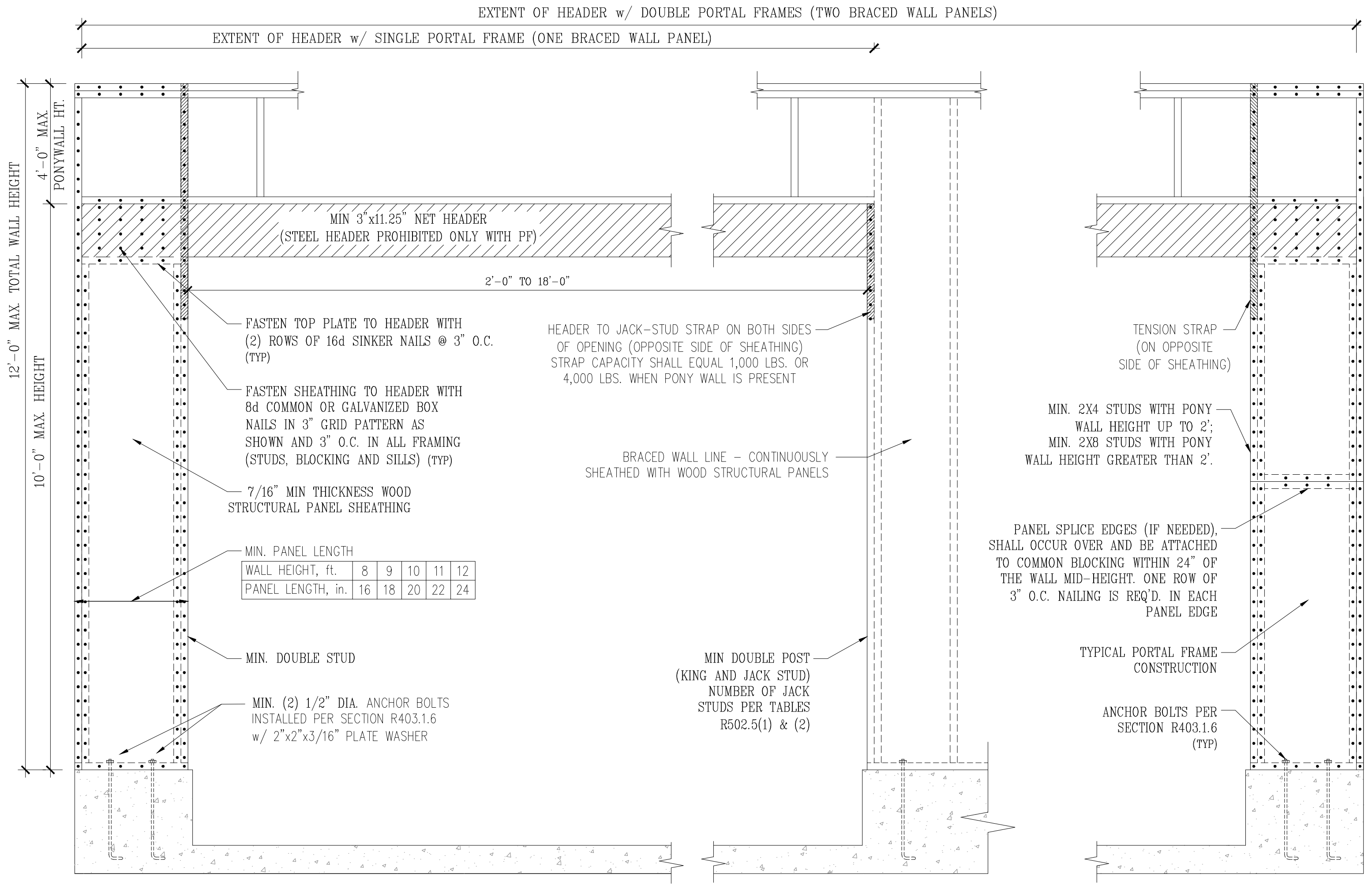
STRUCTURAL SHEATHING NOTES

- DESIGNED FOR SEISMIC ZONE A-C AND WIND SPEEDS OF 120 MPH OR LESS.
- WALLS SHALL BE BRACED IN ACCORDANCE WITH SECTION R602.10 OF THE 2018 NRCR.
- BRACING REQUIREMENTS SHALL BE PER TABLE R602.10.3. REFER TO SECTION R602.10.4 FOR LOAD PATH DETAILS INCLUDING CONNECTIONS & SUPPORT OF BRACED WALL PANELS.
 - REFERENCE FIGURE R602.10.4.3 OF THE 2018 NRCR.
- INTERIOR BRACED WALL PANELS (BWP) INDICATED SHALL BE SHEATHED IN ACCORDANCE WITH THE GB METHOD OR WSP METHOD AS PRESCRIBED IN SECTION R602.10.1 (UNO)
 - 1/2" GYPSUM BOARD (GB) MINIMUM LENGTH OF 8'-0" (ISOLATED PANELS) OR 4'-0" (CONTINUOUS SHEATHING). SECURE w/ 5d COOLER NAILS (OR EQUAL PER TABLE R702.3.5) SPACED @ 7" O.C. AT PANEL EDGES, INCLUDING TOP AND BOTTOM PLATES & 7" O.C. AT INTERMEDIATE SUPPORTS
 - 3/8" WOOD STRUCTURAL PANEL (WSP) SECURE w/ 6d COMMON NAILS SPACED AT 6" O.C. AT PANEL EDGES AND 12" O.C. AT INTERMEDIATE SUPPORTS
- EXTERIOR BRACED WALL PANELS (BWP) SHALL BE CONSTRUCTED IN ACCORDANCE WITH CS-WSP METHOD AS PRESCRIBED IN SECTION R602.10.3 (UNO)
- ALL SHEATHABLE SURFACES OF EXTERIOR WALLS (INCLUDING AREAS ABOVE AND BELOW OPENINGS AND GABLE END WALLS) SHALL BE CONTINUOUSLY SHEATHED WITH WOOD STRUCTURAL PANEL (WSP) SHEATHING WITH A MINIMUM THICKNESS OF 3/8". SHEATHING SHALL BE SECURED WITH MINIMUM 6d COMMON NAILS SPACED AT 6" O.C. AT PANEL EDGES AND SPACED AT 12" O.C. AT INTERMEDIATE SUPPORTS.
- MINIMUM BRACED WALL PANEL LENGTHS WITH CS-WSP METHOD SHALL BE AS FOLLOWS:
 - 24" ADJACENT TO OPENINGS NOT MORE THAN 67% OF WALL HEIGHT
 - 30" ADJACENT TO OPENINGS GREATER THAN 67% AND LESS THAN 85% OF WALL HEIGHT.
 - 48" FOR OPENINGS GREATER THAN 85% OF WALL HEIGHT
- SHEATH INTERIOR & EXTERIOR
- FOR CS-WSP METHOD, A MINIMUM 24" BRACED WALL PANEL CORNER RETURN SHALL BE PROVIDED AT BOTH ENDS OF A BRACED WALL LINE IN ACCORDANCE WITH FIGURE R602.10.3(4). IN LIEU OF A CORNER RETURN, EITHER A MIN. 48" BRACED WALL PANEL SHALL BE PROVIDED AT THE CORNER OR A HOLD-DOWN DEVICE WITH A MINIMUM UPLIFT DESIGN VALUE OF 800# SHALL BE FASTENED TO THE EDGE OF THE BRACED WALL PANEL CLOSEST TO THE CORNER AND TO THE FOUNDATION OR FRAMING BELOW.
 - MINIMUM 800# HOLD-DOWN DEVICE

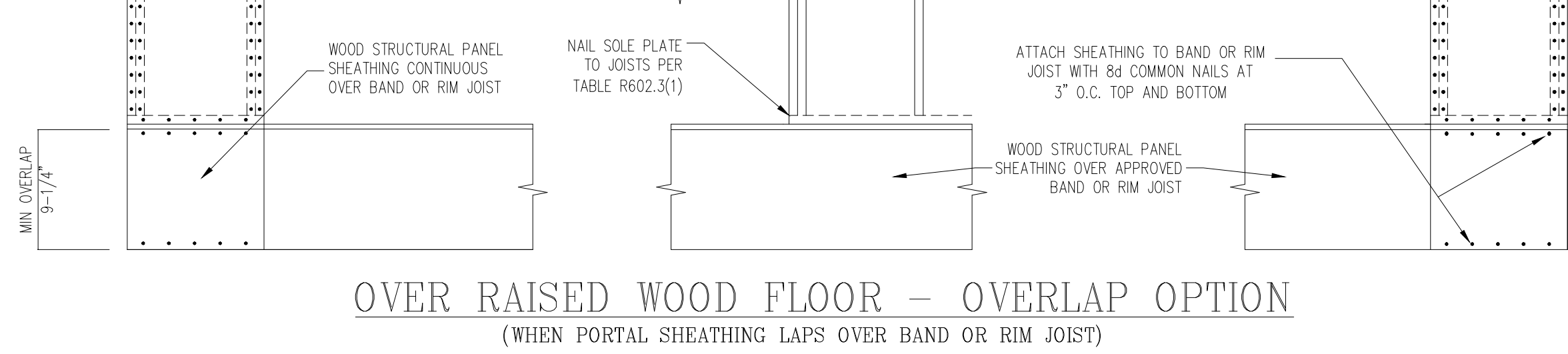
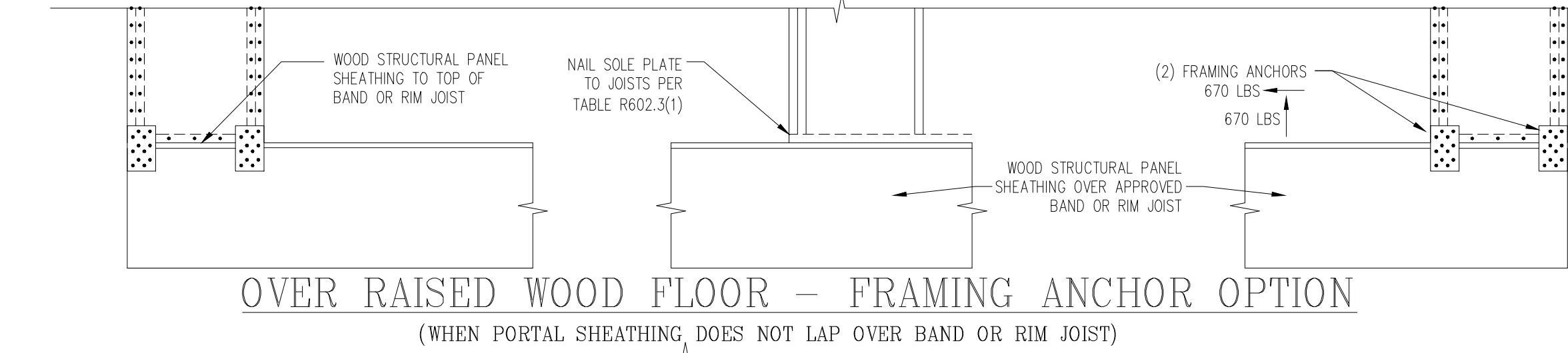
REQUIRED BRACED WALL PANEL CONNECTIONS				
METHOD	MATERIAL	MIN. THICKNESS	REQUIRED CONNECTION	
			@ PANEL EDGES	@ INTERMEDIATE SUPPORTS
CS-WSP	WOOD STRUCTURAL PANEL	3/8"	6d COMMON NAILS @ 6" O.C.	6d COMMON NAILS @ 12" O.C.
GB	GYPSUM BOARD	1/2"	5d COOLER NAIL** @ 7" O.C.	5d COOLER NAIL** @ 7" O.C.
WSP	WOOD STRUCTURAL PANEL	3/8"	6d COMMON NAILS @ 6" O.C.	6d COMMON NAILS @ 12" O.C.

**OR EQUIVALENT PER TABLE R702.3.5

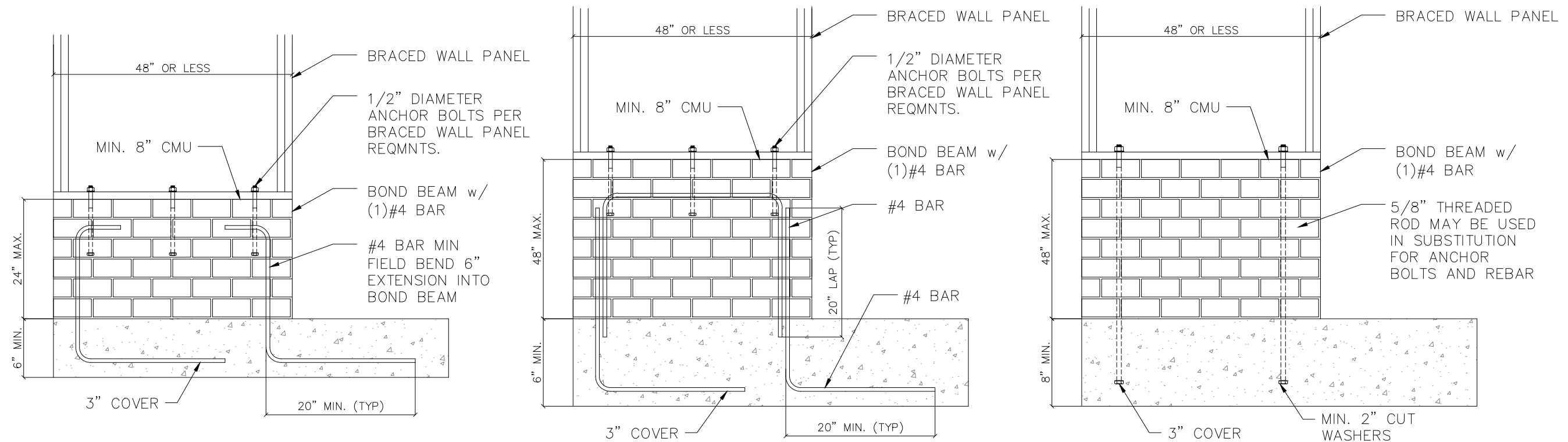
B3: BRACE WALL PANEL CONNECTIONS
NO SCALE



OVER CONCRETE OR MASONRY BLOCK FOUNDATION



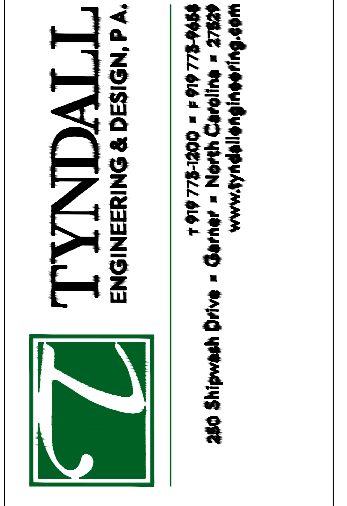
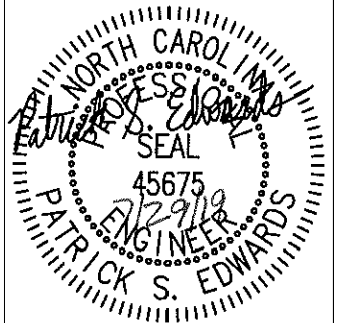
B2: METHOD CS-PF: CONTINUOUSLY SHEATHED PORTAL FRAME
FIGURE R602.10.1



B4: MASONRY STEM WALL SUPPORTING BRACED WALL PANELS

FIGURE R602.10.4.3 OF THE 2018 NRCR
NOTE: GROUT BOND BEAMS AND ALL CELLS WHICH CONTAIN REBAR, THREADED RODS AND ANCHOR BOLTS

*Engineers and does not include construction means, methods, techniques, sequences, procedures or safety precautions.
Any deviation or discrepancy on plans are to be brought to the immediate attention of Tynndall Engineering & Design, P.A. Failure to do so will void Tynndall Engineering & Design, P.A. liability.
Please review these documents carefully. Tynndall Engineering & Design, P.A. will interpret that all dimensions, recommendations, etc. presented in these documents were deemed acceptable once construction begins.



Client: ANN DENNING
Project: DENNING RESIDENCE

SHEATHING DETAILS

Project #: 1901-010273
Date: 7/29/19
Drawn/Design By: JWA
DWG. Checked By: PTH
Scale: NOT TO SCALE

REVISIONS		
No.	Date	Remarks

Sheet Number
D3
of 3