

SCALE NOTE:
LARGE FORMAT PRINTS ARE TO SCALE AS NOTED.
11" x 17" PRINTS ARE ONE HALF THE NOTED SCALE.

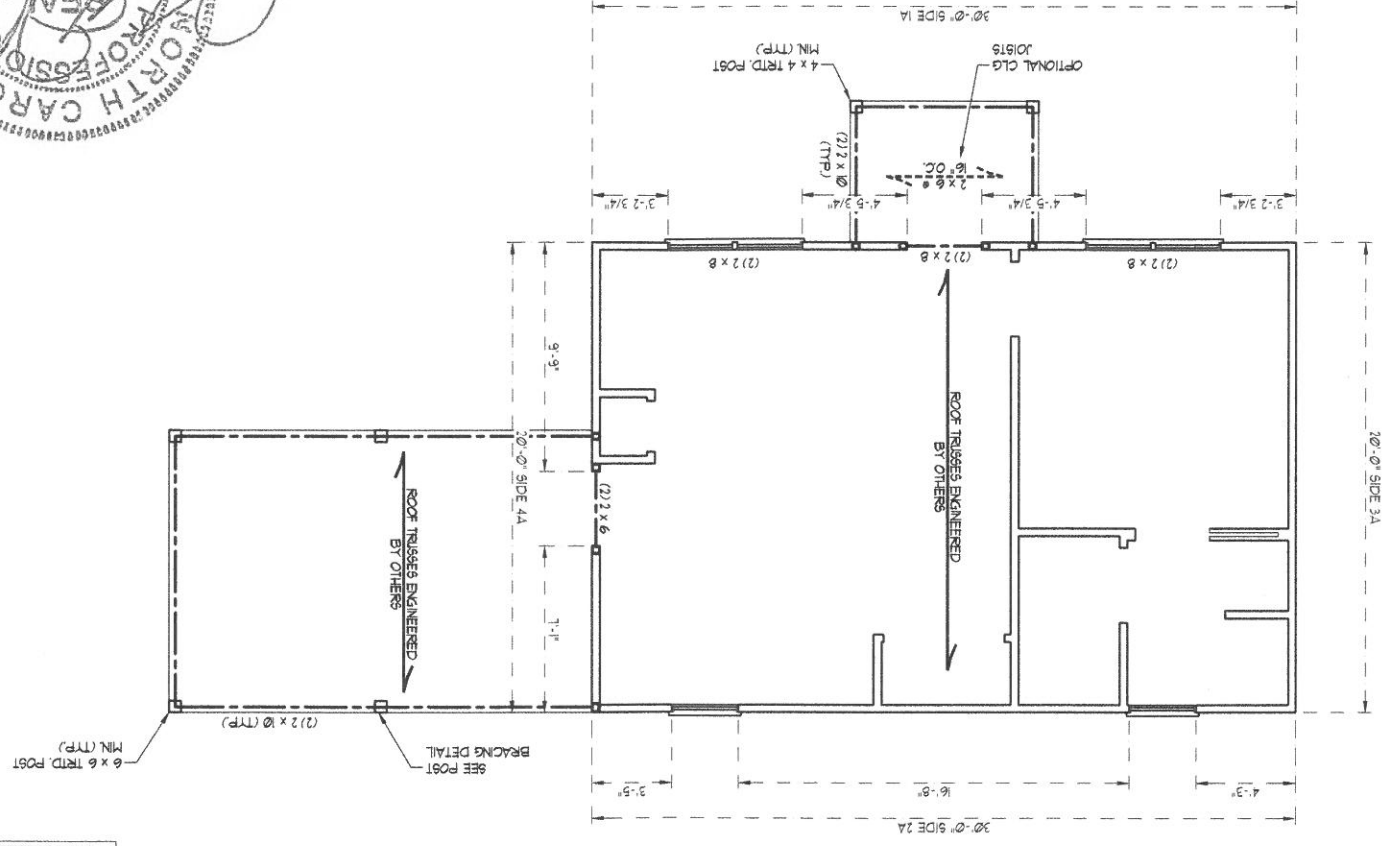
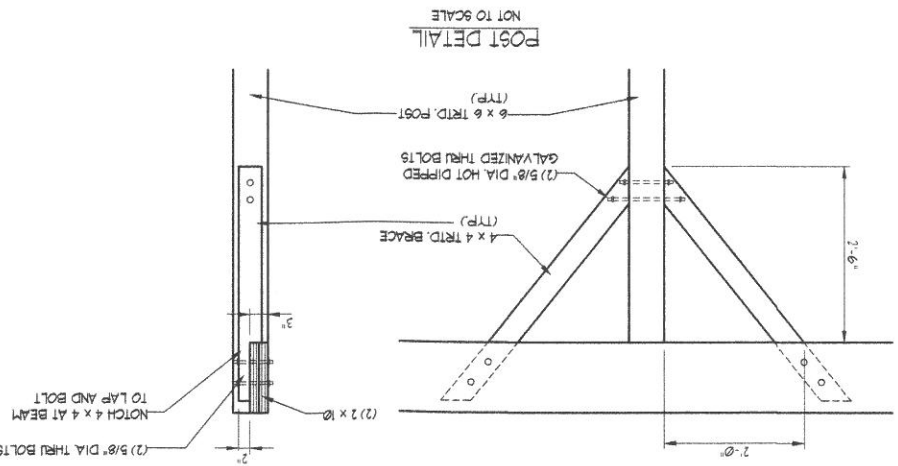


TABLE R602.15
MINIMUM NUMBER OF FULL HEIGHT STUDS AT EACH END OF HEADERS IN EXTERIOR WALLS

| UP TO 3' (FEET) | 3' TO 6' | 6' TO 10' | 10' TO 15' | 15' TO 24' |
|-----------------|----------|-----------|------------|------------|
| 1 | 2 | 3 | 4 | 6 |

TABLE R602.16
MAXIMUM STUD SPACES (INCHES)

| | | | |
|---|---|---|---|
| 1 | 2 | 3 | 4 |
|---|---|---|---|

- STRUCTURAL NOTES:
1. ALL FRAMING LUMBER TO BE SPP #2 (UNO). ALL TREATED LUMBER TO BE SPP #2 (UNO).
 2. ALL LOAD BEARING HEADERS TO BE (2) 2 x 6 (UNO).
 3. WINDOW AND DOOR HEADERS TO BE SUPPORTED w/ (1) JACK STUD AND (1) KING STUD EA END (UNO). SEE TABLE R602.15 FOR ADDITIONAL KING STUD REQUIREMENTS.
 4. SQUARES DENOTE POINT LOADS WHICH REQUIRE SOLID BLOCKING TO GIRDER OR FOUNDATION. ALL SQUARES TO BE (2) STUDS (UNO).
 5. ALL 4 x 4 POSTS SHALL BE ANCHORED TO SLABS w/ SIMPSON ABUQ POST BASES (OR EQUAL) AND 6 x 6 POSTS w/ ANQUE POST BASES (OR EQUAL) (UNO). ALL 4 x 4 AND 6 x 6 POSTS TO BE INSTALLED WITH 100 LB CAPACITY UPLIFT CONNECTORS AT TOP (UNO).
 6. FOR FIBERGLASS, ALUMINUM OR COLUMN ENDS BY OTHERS, SECURE TO SLAB w/ (2) METAL ANGLES USING 2" CONC. SCREWS. FASTEN ANGLES TO COLUMN w/ 1/4" THROUGH BOLTS w/ NUTS AND WASHERS. LOCATE ANGLES ON OPPOSITE SIDES OF COLUMN. THROUGH BOLTS MUST BE INSTALLED PRIOR TO SETTING COLUMN.
 7. REFER TO NOTES AND DETAIL SHEETS FOR ADDITIONAL STRUCTURAL INFORMATION.

- BRACED WALL DESIGN NOTES:
1. BRACED WALL DESIGN PER SECTION R602.10 OF THE NRCR 2018 EDITION.
 2. C9-16P REFERS TO CONTINUOUS SHEATHING - WOOD ON ALL EXTERIOR WALLS AT FIELDS SPACED @ 6\"/>
- BRACED WALL DESIGN
- RECTANGLE A
- METHOD: C9-16P
TOTAL REQUIRED LENGTH: 24'
TOTAL PROVIDED LENGTH: 15.4'
- METHOD: C9-16P
TOTAL REQUIRED LENGTH: 24'
TOTAL PROVIDED LENGTH: 24.3'
- METHOD: C9-16P
TOTAL REQUIRED LENGTH: 33'
TOTAL PROVIDED LENGTH: 20'
- METHOD: C9-16P
TOTAL REQUIRED LENGTH: 33'
TOTAL PROVIDED LENGTH: 16.83'

J.S. THOMPSON
ENGINEERING, INC
606 WADE AVE., SUITE 104 RALEIGH, NC 27605
PHONE: (919) 789-9919 FAX: (919) 789-9921
N.C. LICENSE NO.: C1773

1169 LAWRENCE ROAD
THOMAS PROPERTIES

FRAMING PLAN
SECOND FLOOR
S-2
SHEET 2 OF 3

| |
|---------------------|
| DATE: JULY 23, 2019 |
| SCALE: 1/4" = 1'-0" |
| DRAWN BY: JAL |
| ENGINEERED BY: ST |