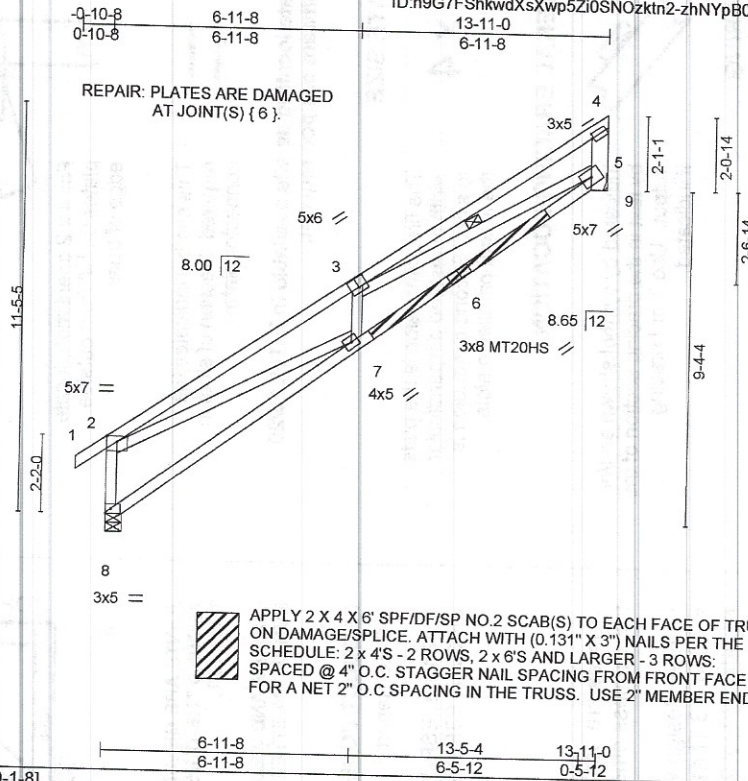


Job 1739172R	Truss D02	Truss Type Monopitch	Qty 9	Ply 1	H&H/Jordan/Lot644/ManoratLexingtonPlant	E13133057
Builders FirstSource, Albemarle, NC 28001		Job Reference (optional)				

8.220 s Nov 16 2018 MiTek Industries, Inc. Wed Jun 5 16:23:53 2019 Page 1
ID:h9G7FShkwdXsXwp5Zi0SN0zkt2-zhNYpBOL3iIL3rmsFypfZR5ePB3YA_Ljg0XMxsZ9HGK



Scale = 1:64.7

APPLY 2 X 4 X 6' SPF/DF/SP NO.2 SCAB(S) TO EACH FACE OF TRUSS CENTERED ON DAMAGE/SPICE. ATTACH WITH (0.131" X 3") NAILS PER THE FOLLOWING NAIL SCHEDULE: 2 x 4'S - 2 ROWS, 2 x 6'S AND LARGER - 3 ROWS; SPACED @ 4" O.C. STAGGER NAIL SPACING FROM FRONT FACE AND BACK FACE FOR A NET 2" O.C SPACING IN THE TRUSS. USE 2" MEMBER END DISTANCE.

Plate Offsets (X,Y)-- [3:0-3-0,0-3-4], [4:0-0-10,0-1-8]

LOADING (psf)	SPACING-	2-0-0	CSI.	DEFL.	in (loc)	l/defl	L/d	PLATES	GRIP
TCLL 20.0	Plate Grip DOL	1.15	TC 0.70	Vert(LL)	-0.08	7-8	>999	MT20	244/190
TCDL 10.0	Lumber DOL	1.15	BC 0.49	Vert(CT)	-0.18	7-8	>891	MT20HS	187/143
BCLL 0.0 *	Rep Stress Incr	YES	WB 0.48	Horz(CT)	0.04	9	n/a		
BCDL 10.0	Code IRC2015/TPI2014		Matrix-AS	Wind(LL)	0.13	7	>999		
								Weight: 83 lb	FT = 20%

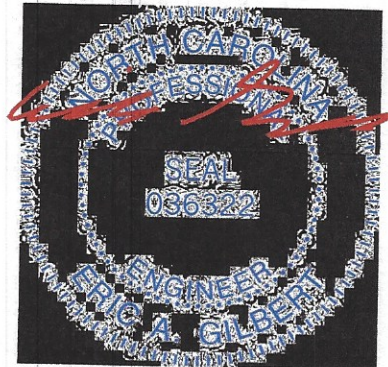
LUMBER-
TOP CHORD 2x4 SP No.2
BOT CHORD 2x4 SP No.2
WEBS 2x4 SP No.3 *Except*
4-9: 2x6 SP No.2

BRACING-
TOP CHORD Structural wood sheathing directly applied, except end verticals.
BOT CHORD Rigid ceiling directly applied.
WEBS 1 Row at midpt 3-5

REACTIONS. (lb/size) 8=605/0-5-8, 9=539/Mechanical
Max Horz 8=394(LC 12)
Max Uplift 9=335(LC 12)
Max Grav 8=605(LC 1), 9=611(LC 19)

FORCES. (lb) - Max. Comp./Max. Ten. - All forces 250 (lb) or less except when shown.
TOP CHORD 2-8=684/351, 2-3=1653/681, 3-4=339/32, 5-9=676/335
BOT CHORD 7-8=641/656, 5-7=1050/1970
WEBS 2-7=415/1216, 3-5=1475/799

- NOTES-** (9)
- Wind: ASCE 7-10; Vult=120mph (3-second gust) Vasd=95mph; TCDL=6.0psf; BCDL=6.0psf; h=25ft; Cat. II; Exp C; Enclosed; MWFRS (envelope) gable end zone and C-C Exterior(2) zone; end vertical left exposed; C-C for members and forces & MWFRS for reactions shown; Lumber DOL=1.60 plate grip DOL=1.60
 - All plates are MT20 plates unless otherwise indicated.
 - This truss has been designed for a live load of 20.0psf on the bottom chord in all areas where a rectangle 3-6-0 tall by 2-0-0 wide will fit between the bottom chord and any other members.
 - * This truss has been designed for a live load of 20.0psf on the bottom chord in all areas where a rectangle 3-6-0 tall by 2-0-0 wide will fit between the bottom chord and any other members.
 - Refer to girder(s) for truss to truss connections.
 - Bearing at joint(s) 8 considers parallel to grain value using ANSI/TPI 1 angle to grain formula. Building designer should verify capacity of bearing surface.
 - Provide mechanical connection (by others) of truss to bearing plate capable of withstanding 100 lb uplift at joint(s) except (jt=lb) 9=335.
 - This truss design requires that a minimum of 7/16" structural wood sheathing be applied directly to the top chord and 1/2" gypsum sheetrock be applied directly to the bottom chord.
 - This manufactured truss is designed as an individual building component. The suitability and use of this component for any particular building is the responsibility of the building designer per ANSI TPI 1 as referenced by the building code.



June 6, 2019

WARNING - Verify design parameters and READ NOTES ON THIS AND INCLUDED MITEK REFERENCE PAGE MII-7473 rev. 10/03/2015 BEFORE USE.

Design valid for use only with MiTek® connectors. This design is based only upon parameters shown, and is for an individual building component, not a truss system. Before use, the building designer must verify the applicability of design parameters and properly incorporate this design into the overall building design. Bracing indicated is to prevent buckling of individual truss web and/or chord members only. Additional temporary and permanent bracing is always required for stability and to prevent collapse with possible personal injury and property damage. For general guidance regarding the fabrication, storage, delivery, erection and bracing of trusses and truss systems, see ANSI/TPI1 Quality Criteria, DSB-89 and BCSI Building Component Safety Information available from Truss Plate Institute, 218 N. Lee Street, Suite 312, Alexandria, VA 22314.



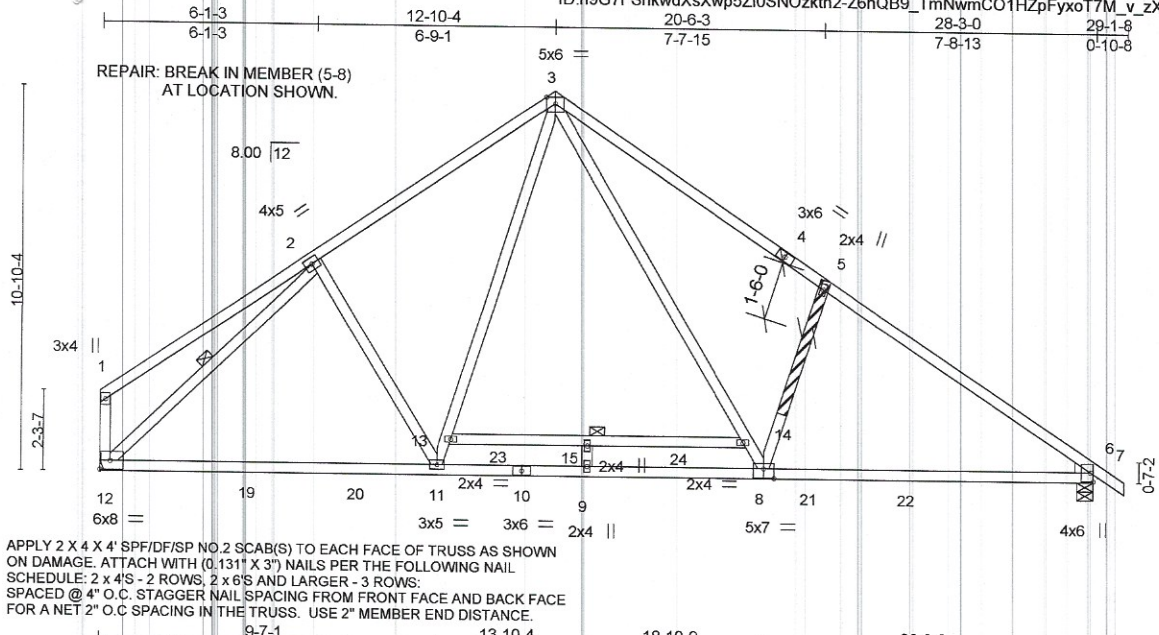
818 Soundside Road
Edenton, NC 27932

Job 1739172R	Truss A04	Truss Type Common	Qty 1	Ply 1	H&H/Jordan/Lot644/ManoratLexingtonPlant	E13133054
-----------------	--------------	----------------------	----------	----------	---	-----------

Builders FirstSource, Albemarle, NC 28001

8.220 s Nov 16 2018 MiTek Industries, Inc. Wed Jun 5 16:23:50 2019 Page 1

ID:h9G7FShkwdXsXwp5Zi0SNOzkn2-Z6hQB9_TmNwmCO1HZpFyxoT7M_v_zXUG_2lhKXz9HGN



Scale = 1:65.4

APPLY 2 X 4 X 4' SPF/DF/SP NO.2 SCAB(S) TO EACH FACE OF TRUSS AS SHOWN ON DAMAGE. ATTACH WITH (0.131" X 3") NAILS PER THE FOLLOWING NAIL SCHEDULE: 2 X 4'S - 2 ROWS, 2 X 6'S AND LARGER - 3 ROWS: SPACED @ 4" O.C. STAGGER NAIL SPACING FROM FRONT FACE AND BACK FACE FOR A NET 2" O.C SPACING IN THE TRUSS. USE 2" MEMBER END DISTANCE.

Plate Offsets (X,Y)--	[6:0-0-10,0-4-6], [6:0-0-5,0-0-7], [8:0-3-8,0-3-4]
-----------------------	--

LOADING (psf)	SPACING-	CSI.	DEFL.	PLATES	GRIP
TCLL 20.0	Plate Grip DOL 2-0-0	TC 0.75	in (loc) l/defl L/d	MT20	244/190
TCDL 10.0	Lumber DOL 1.15	BC 0.99	Vert(LL) -0.28 8-9 >999 360		
BCLL 0.0 *	Rep Stress Incr NO	WB 0.88	Vert(CT) -0.40 11-12 >837 240		
BCDL 10.0	Code IRC2015/TPI2014	Matrix-AS	Horz(CT) 0.03 6 n/a n/a		
			Wind(LL) 0.10 8-18 >999 240	Weight: 175 lb	FT = 20%

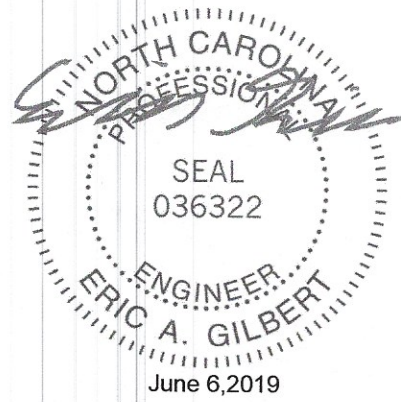
LUMBER-	BRACING-
TOP CHORD 2x4 SP No.2	TOP CHORD Structural wood sheathing directly applied, except end verticals.
BOT CHORD 2x4 SP No.2 *Except* 8-10: 2x4 SP No.1	BOT CHORD Rigid ceiling directly applied.
WEBS 2x4 SP No.3 *Except* 13-14: 2x4 SP No.2	WEBS 1 Row at midpt 2-12, 13-14
WEDGE Right: 2x4 SP No.3	

REACTIONS. (lb/size) 12=1123/Mechanical, 6=1177/0-5-8
 Max Horz 12=-297(LC 8)
 Max Uplift 12=-171(LC 12), 6=-215(LC 13)
 Max Grav 12=1194(LC 19), 6=1257(LC 20)

FORCES. (lb) - Max. Comp./Max. Ten. - All forces 250 (lb) or less except when shown.
 TOP CHORD 1-2=-251/112, 2-3=-1214/418, 3-5=-1611/541, 5-6=-1672/393, 1-12=-257/126
 BOT CHORD 11-12=-205/1136, 9-11=-23/945, 8-9=-23/945, 6-8=-181/1297
 WEBS 2-11=-191/283, 11-13=-131/451, 3-13=-128/495, 3-14=-305/915, 8-14=-304/866,
 5-8=-507/379, 2-12=-1200/259

- NOTES-** (8)
- 1) Unbalanced roof live loads have been considered for this design.
 - 2) Wind: ASCE 7-10; Vult=120mph (3-second gust) Vasd=95mph; TCDL=6.0psf; BCDL=6.0psf; h=25ft; Cat. II; Exp C; Enclosed; MWFRS (envelope) gable end zone and C-C Exterior(2) zone; end vertical right exposed; C-C for members and forces & MWFRS for reactions shown; Lumber DOL=1.60 plate grip DOL=1.60
 - 3) This truss has been designed for a 10.0 psf bottom chord live load nonconcurrent with any other live loads.
 - 4) * This truss has been designed for a live load of 20.0psf on the bottom chord in all areas where a rectangle 3-6-0 tall by 2-0-0 wide will fit between the bottom chord and any other members, with BCDL = 10.0psf.
 - 5) Refer to girder(s) for truss to truss connections.
 - 6) Provide mechanical connection (by others) of truss to bearing plate capable of withstanding 100 lb uplift at joint(s) except (jt=lb) 12=171, 6=215.
 - 7) This truss design requires that a minimum of 7/16" structural wood sheathing be applied directly to the top chord and 1/2" gypsum sheetrock be applied directly to the bottom chord.
 - 8) This manufactured truss is designed as an individual building component. The suitability and use of this component for any particular building is the responsibility of the building designer per ANSI TPI 1 as referenced by the building code.

LOAD CASE(S) Standard
 1) Dead + Roof Live (balanced): Lumber Increase=1.15, Plate Increase=1.15
 Uniform Loads (plf)
 Vert: 1-3=-60, 3-7=-60, 12-16=-20



Job 1739172R	Truss A05	Truss Type ROOF SPECIAL	Qty 2	Ply 1	H&H/Jordan/Lot644/ManoratLexingtonPlant	E13133055
Builders FirstSource, Albemarle, NC 28001		Job Reference (optional)				

8.220 s Nov 16 2018 MiTek Industries, Inc. Wed Jun 5 16:23:51 2019 Page 1
 ID:h9G7FShkwdXsXwp5Zi0SN0zkt2-11FoPV_5Xh2dqXcT7XmBU00MxNFBiynQDI2Fszz9HGM

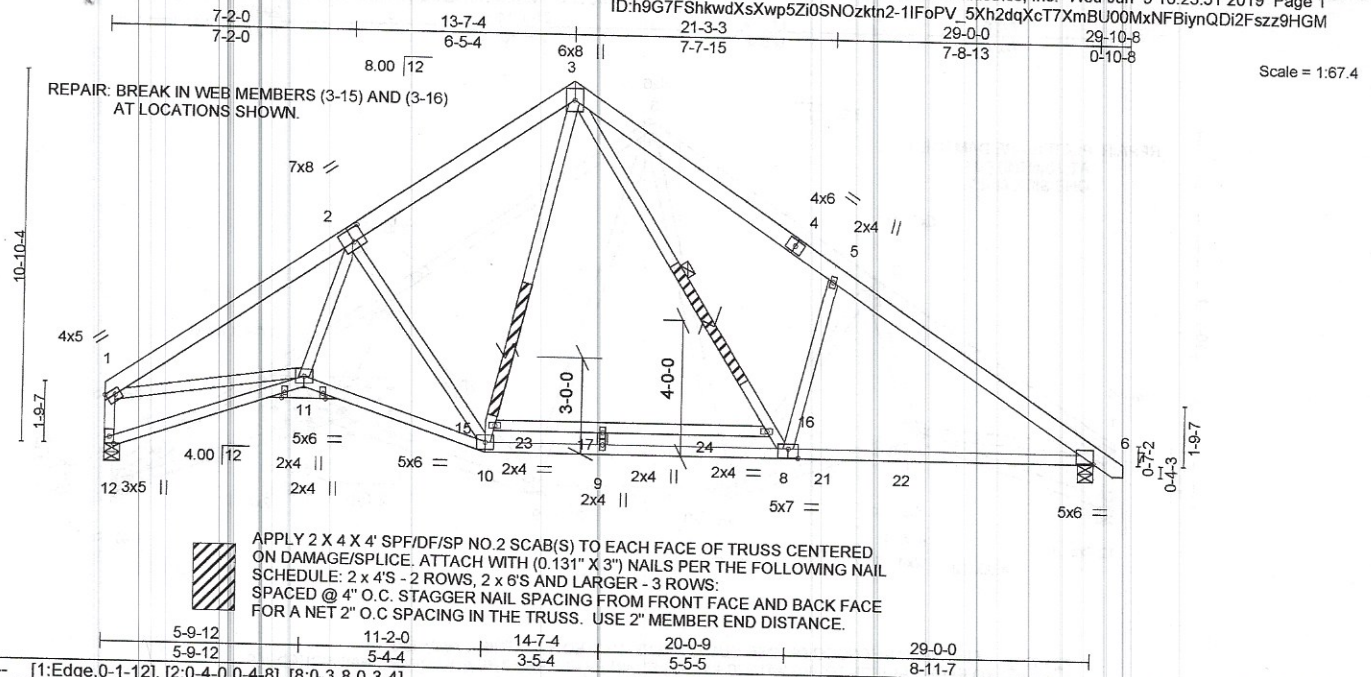


Plate Offsets (X,Y)--	[1:Edge,0-1-12], [2:0-4-0,0-4-8], [8:0-3-8,0-3-4]
-----------------------	---

LOADING (psf)	SPACING-	CSI.	DEFL.	PLATES	GRIP
TCLL 20.0	Plate Grip DOL 2-0-12	TC 0.45	in (loc) l/defl L/d	MT20	244/190
TCDL 10.0	Lumber DOL 1.15	BC 1.00	Vert(LL) -0.31 8-9 >999 360		
BCLL 0.0 *	Rep Stress Incr NO	WB 1.00	Vert(CT) -0.44 8-9 >785 240		
BCDL 10.0	Code IRC2015/TPI2014	Matrix-MS	Horz(CT) 0.07 6 n/a n/a		
			Wind(LL) 0.07 8-20 >999 240	Weight: 212 lb	FT = 20%

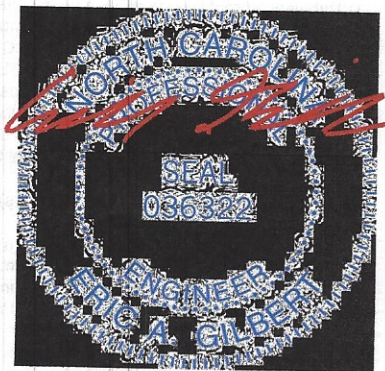
LUMBER-	BRACING-
TOP CHORD 2x6 SP No.2	TOP CHORD Structural wood sheathing directly applied or 4-9-15 oc purlins, except end verticals.
BOT CHORD 2x4 SP No.2	BOT CHORD Rigid ceiling directly applied or 10-0-0 oc bracing.
WEBS 2x4 SP No.3 *Except* 15-16: 2x4 SP No.2	WEBS 1 Row at midpt 3-8

REACTIONS. (lb/size) 12=1190/0-5-8, 6=1236/0-5-8
 Max Horz 12=339(LC 10)
 Max Uplift 12=187(LC 12), 6=223(LC 13)
 Max Grav 12=1190(LC 1), 6=1288(LC 20)

FORCES. (lb) - Max. Comp./Max. Ten. - All forces 250 (lb) or less except when shown.
 TOP CHORD 1-2=-2105/403, 2-3=-1236/462, 3-5=-1746/603, 5-6=-1750/421, 1-12=-1226/291
 BOT CHORD 11-12=-307/416, 10-11=-320/1724, 9-10=-25/937, 8-9=-25/937, 6-8=-205/1383
 WEBS 2-11=93/870, 2-10=-988/407, 10-15=-172/477, 3-15=-161/528, 3-16=-342/1003,
 8-16=-357/979, 5-8=-560/413, 1-11=-204/1541

- NOTES-** (7)
- 1) Unbalanced roof live loads have been considered for this design.
 - 2) Wind: ASCE 7-10; Vult=120mph (3-second gust) Vasd=95mph; TC DL=6.0psf; BCDL=6.0psf; h=25ft; Cat. II; Exp C; Enclosed; MWFRS (envelope) gable end zone and C-C Exterior(2) zone; end vertical left and right exposed; C-C for members and forces & MWFRS for reactions shown; Lumber DOL=1.60 plate grip DOL=1.60
 - 3) This truss has been designed for a 10.0 psf bottom chord live load nonconcurrent with any other live loads.
 - 4) * This truss has been designed for a live load of 20.0psf on the bottom chord in all areas where a rectangle 3-6-0 tall by 2-0-0 wide will fit between the bottom chord and any other members, with BCDL = 10.0psf.
 - 5) Bearing at joint(s) 12 considers parallel to grain value using ANSI/TPI 1 angle to grain formula. Building designer should verify capacity of bearing surface.
 - 6) Provide mechanical connection (by others) of truss to bearing plate capable of withstanding 100 lb uplift at joint(s) except (jt=lb) 12=187, 6=223.
 - 7) This manufactured truss is designed as an individual building component. The suitability and use of this component for any particular building is the responsibility of the building designer per ANSI TPI 1 as referenced by the building code.

LOAD CASE(S) Standard
 1) Dead + Roof Live (balanced): Lumber Increase=1.15, Plate Increase=1.15
 Uniform Loads (plf)
 Vert: 1-3=-62, 3-7=-62, 11-12=-21, 10-11=-21, 10-18=-21



June 6, 2019