

Assumed Pier Layout  
Scale: 1/4" = 1'-0"

**GENERAL NOTES:**

- Joists may be shifted up to 3" from on center spacing to avoid hanger interference, flush beams and/or plumbing drops. **DO NOT CUT JOIST FLANGES.**
- All EWP beams have been designed assuming full width support of the members/piles, unless noted otherwise.
- This drawing may contain deviations from the original project documents. It is the responsibility of the contractor to notify the project Design Professional of these deviations to verify conformance with the original design intent of the project.
- This layout is intended for the use of TrusJoist engineered wood products only. The substitution of other wood products with this layout is NOT PERMITTED. Please identify the TJI, TimberStrand® LSL, Microllam® LVL and Parallam® PSL stamps on the product to ensure that this layout is valid for the products actually installed.
- Only header openings and roof loads which affect Weyerhaeuser product sizes have been denoted on this layout. In addition to and 'CS' detail callouts shown, solid blocking and/or squash blocks are required to provide vertical load transfer from all concentrated load locations to foundation below. See Pocket Framers Guide for appropriate detail(s).

**SYMBOL LEGEND**

	Bearing Length Requirement
	Line Load
	Point Load
	Area Load
	Member By Others
	Closure By Others
	Under Load Above
	Toilet/Shower Plumbing Drop
	Walls Above
	Detail Callout Label

**WARNING**  
Joists are unstable until braced laterally

Bracing includes:  
 • Blocking  
 • Hangers  
 • Rim Board  
 • Sheathing  
 • Stem Joist  
 • Stud Line  
 • Top Joist

**DO NOT** walk on joists until braced. **INJURY MAY RESULT.**

**DO NOT** walk on joists that are being fast.

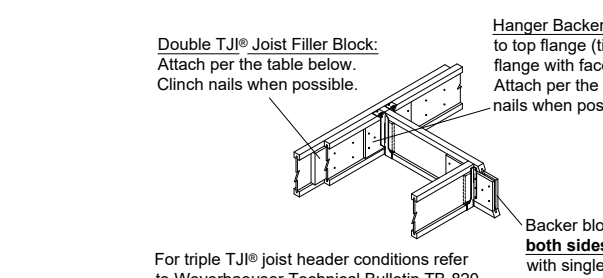
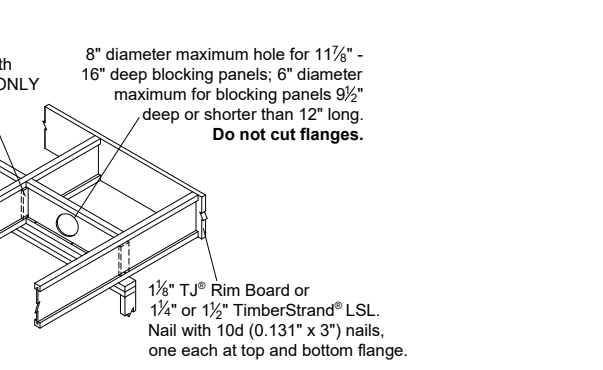
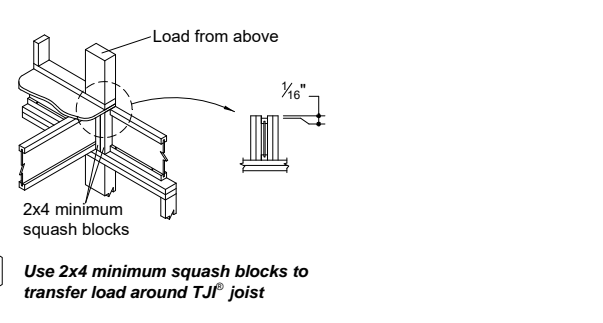
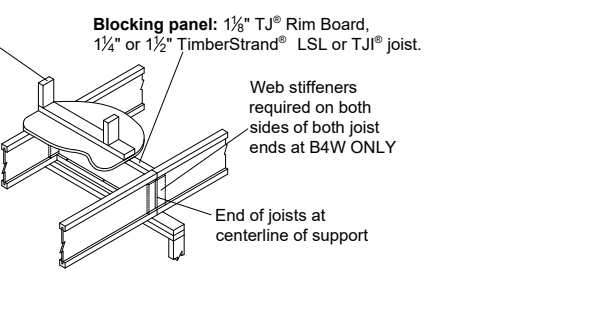
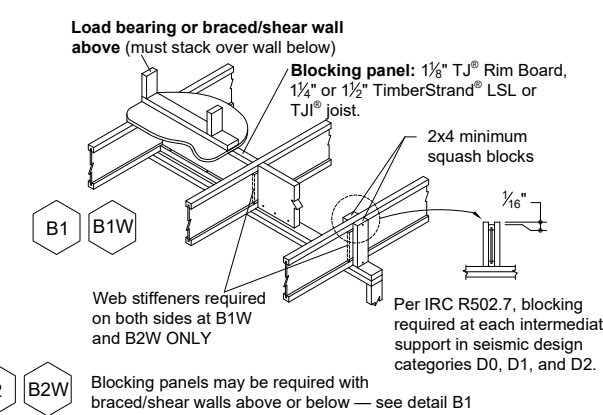
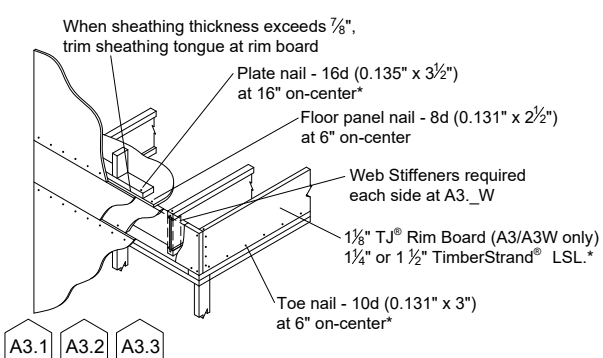
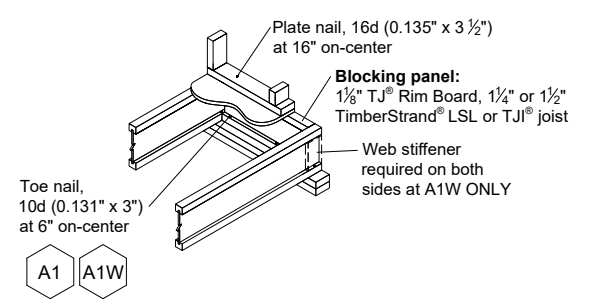
**DO NOT** stack building materials on unbraced joists. Stack only over beams or walls.

**WARNING NOTES:**  
Lack of proper bracing during construction can result in serious accidents. Observe the following guidelines:  
**WARNING: JOISTS ARE UNSTABLE UNTIL BRACED LATERALLY**  
**BRACING INCLUDES:** Blocking, Hangers, Rim Board, Sheathing, Stem Joist, Stud Lines

Lack of proper bracing during construction can result in serious accidents. Observe the following guidelines:  
 1. Properly install all blocking, hangers, rim boards, and top joists at 2' joist end supports.  
 2. Establish a permanent deck (sheathing), braced to the first 4 feet of joists at the end of the bay or braced end wall.  
 3. Safety bracing of 4x4 posts must be installed in a braced end wall or sheathed area and to each joist.  
 4. Sheathing must be completely attached to each TJI joist before additional loads can be placed on the system.  
 5. Deck of joist must require safety bracing on both the top and bottom flanges.  
 6. The flanges must remain straight within 1/2" from true alignment.

Weyerhaeuser, Microllam, Parallam, TimberStrand, TJI, T.J. and Trus Joist are registered trademarks of Weyerhaeuser NA. © 2014 Weyerhaeuser NA Company. All rights reserved.

370 CYPRESS CHURCH MALONEY	Latest Revision Date:	
	Revision Comments:	
	Revised By:	Terry O
	Drawn By:	3/8/21
	Original Date:	
	Architectural Drawings Prepared By:	WL MARTIN HOME DESIGNS
	Structural Drawings Prepared By:	N/A
	Specification Team	Weyerhaeuser
	Service Requests	ENGINEERED WOOD PRODUCTS
		www.axis.weyerhaeuser.com



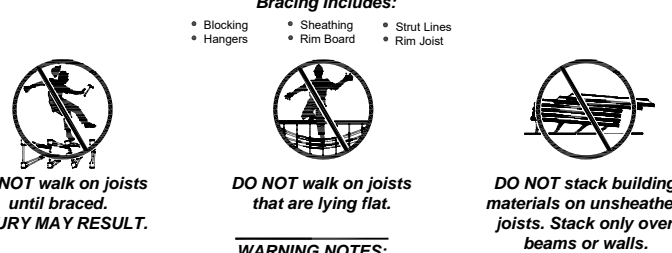
For triple T&J joist header conditions refer to Weyerhaeuser Technical Bulletin TB-820

T&J Depth, D	T&J Flange Width	Block Type	Size	Nail	Quantity
9/8" <D< 16"	less than 3 1/2"	Filler	10d(0.128" x 3")	10"	10"
		Backer	10d(0.128" x 3")	10"	10"
	3 1/2"	Filler	10d(0.128" x 3")	10"	10"
		Backer	10d(0.128" x 3")	10"	10"
16" <D< 20"	less than 3 1/2"	Filler	10d(0.128" x 3")	15	15
		Backer	10d(0.128" x 3")	15	15
	3 1/2"	Filler	10d(0.128" x 3")	15	15
		Backer	10d(0.128" x 3")	15	15
20" <D< 24"	3 1/2"	Filler	10d(0.128" x 3")	25	25
	3 1/2"	Backer	10d(0.128" x 3")	15	15

(1) 15 for multi-family applications

**H2**  
 With top mount hangers, backer block required only for downward loads exceeding 200 (200 factored) lbs or for uplift conditions. For filler and backer block sizes see Weyerhaeuser Installation Guide for Floor and Roof Framing, T&J-9001.

**WARNING**  
 Joists are unstable until braced laterally

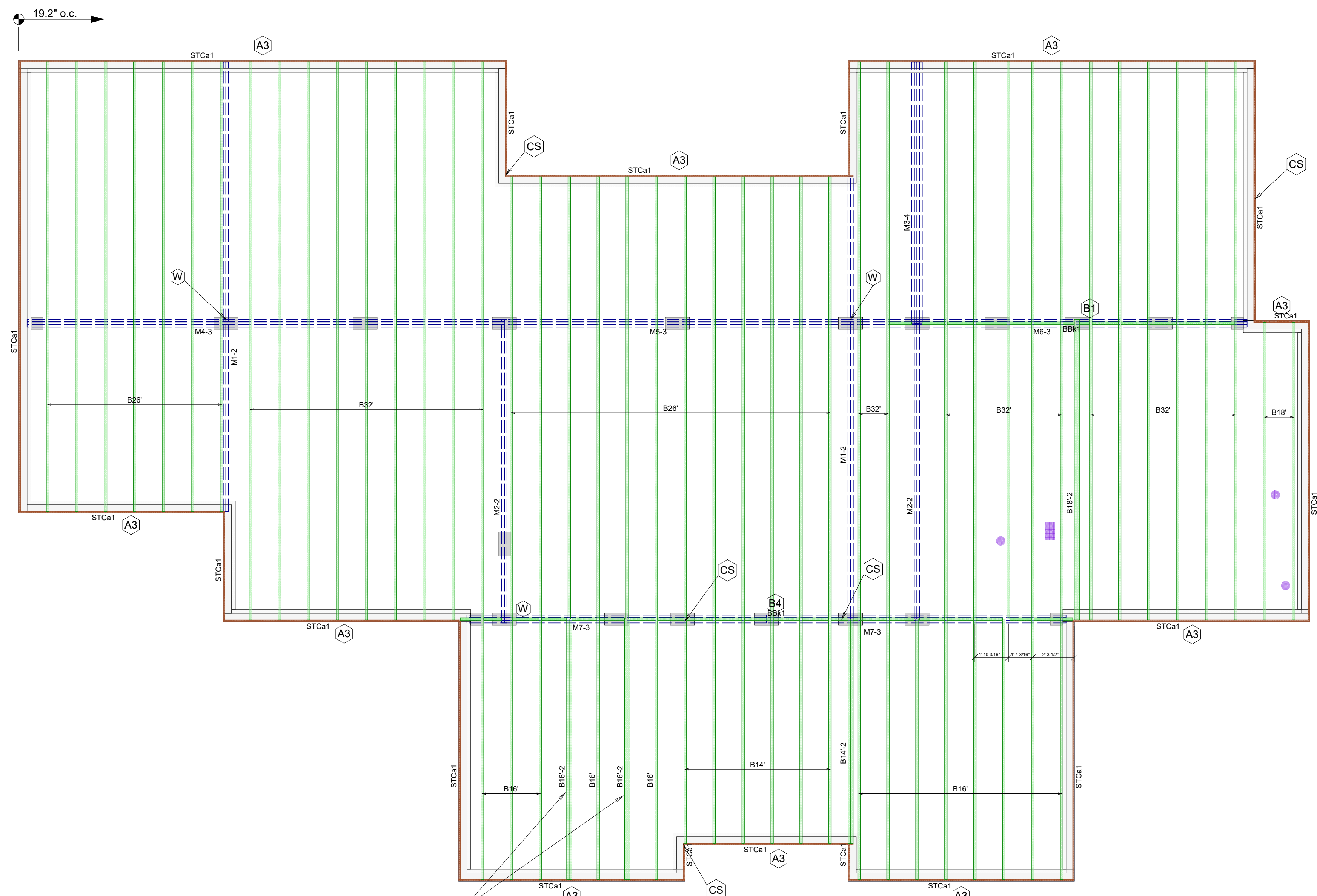


**WEB STIFFENER ATTACHMENT**

Gap: 1/2" minimum  
 Minimum: 2 1/2" maximum  
 Nailing: See sizes below.  
 Web stiffener both sides. See sizes below.  
 \* With point load from above, and no support below, install web stiffener tight to top flange (gap at bottom flange)

T&J Joist Series	Depth (in.)	Minimum Web Stiffener Size	Type	Nailing Requirements
110	All	1 1/2" x 2 1/2" (min)	Rd	Number Nails: 3, End: Intermediate
210	All	1 1/2" x 2 1/2" (min)	Rd	Number Nails: 3, End: Intermediate
230 & 360 & 430	All	1 1/2" x 2 1/2" (min)	Rd	Number Nails: 3, End: Intermediate
560 & 647	All	2x4 (min)	16d	Number Nails: 4, End: Intermediate
560D	18"	2x4 (min)	16d	Number Nails: 4, End: Intermediate
	20"	2x4 (min)	16d	Number Nails: 5, End: Intermediate
	22"	2x4 (min)	16d	Number Nails: 6, End: Intermediate
	24"	2x4 (min)	16d	Number Nails: 6, End: Intermediate

(1) PS1 or PS2 sheathing, face grain vertical  
 (2) Construction grade or better  
 (3) Web stiffeners are always required for 22" and 24" T&J 560D Joists



ADDITIONAL JOISTS UNDER ISLAND

**First Floor Framing Plan**  
 Scale: 1/4" = 1'-0"

**Products**

PlotID	Length	Product	Piles	Net Qty
BBk1	46' 0 3/8"	11 7/8" T&J 110 joist	1	1
B32	32' 0"	11 7/8" T&J 110 joist	1	22
B26	26' 0"	11 7/8" T&J 110 joist	1	19
B18-2	18' 0"	11 7/8" T&J 110 joist	2	2
B16	16' 0"	11 7/8" T&J 110 joist	1	2
B16-2	16' 0"	11 7/8" T&J 110 joist	2	4
B14-2	14' 0"	11 7/8" T&J 110 joist	1	13
B14	14' 0"	11 7/8" T&J 110 joist	2	2
M1-2	26' 0"	1 3/4" x 11 7/8" 2.0E Microllam LVL	1	6
M2-2	18' 0"	1 3/4" x 11 7/8" 2.0E Microllam LVL	2	4
M3-4	16' 0"	1 3/4" x 11 7/8" 2.0E Microllam LVL	4	4
M4-3	28' 0"	1 3/4" x 9 1/4" 2.0E Microllam LVL	3	3
M5-3	24' 0"	1 3/4" x 9 1/4" 2.0E Microllam LVL	3	3
M6-3	20' 0"	1 3/4" x 9 1/4" 2.0E Microllam LVL	3	3
M7-3	18' 0"	1 3/4" x 9 1/4" 2.0E Microllam LVL	3	6
STCa1	16' 0"	1 1/8" x 11 7/8" T&J Rim Board	1	16

**Accessories**

PlotID	Length	Product	Piles	Net Qty
9 1/8"	5/8" x 2 5/16"	Web Stiffeners	1	2
	2 3/32" x 4 1/8" x 96"	Weyerhaeuser Edge Gold Panel (0/24) T&G SF	1	82

**Total Lengths**

Length	Product
1700' 0 3/8"	11 7/8" T&J 110 joist
240' 0"	1 3/4" x 11 7/8" 2.0E Microllam LVL
324' 0"	1 3/4" x 9 1/4" 2.0E Microllam LVL
256' 0"	1 1/8" x 11 7/8" T&J Rim Board
1' 6 1/4"	5/8" x 2 5/16" Web Stiffeners

**LEVEL NOTES**

Current Date:	3/8/2021
File Name:	SR-291798.rvt
Level Name:	1st Floor
Building Code - Design Methodology:	IBC 2018
Members with Design Overrides:	
T&J-Pro Rating (Weighted Average):	38
Minimum Level T&J - Pro Rating & Joist:	T&J-Pro rating = 35, joist = B32(17755)
Maximum Level T&J - Pro Rating & Joist:	T&J-Pro rating = 55, joist = B16-2(7624)
<b>FLOOR</b>	
Floor Container:	FC1
Use/Occupancy:	Residential/Living Areas
Floor Area Loading Is:	40.0 lb/ft² Live Load & 10.0 lb/ft² Dead Load
Maximum Allowed Deflection:	L/480 Live Load & L/240 Total Load
T&J-Pro Rating Information:	
Weighted Average:	38
Directly Applied Ceiling:	None
Decking Attachment:	Glue and Nail
Decking Material:	2 3/32" x 4 1/8" x 96" Weyerhaeuser Edge Gold Panel (0/24) T&G SF
Perpendicular Partition:	No
Strapping at max 8' o.c.:	None
Blocking at max 8' o.c.:	No
Poured Flooring:	No

An additional 10 PSF DL has been added to account for tile load on this floor. See architectural for tile locations.

An additional 20 PSF DL has been added to account for load from kitchen counter tops.

**GENERAL NOTES:**

- Joists may be shifted up to 3" from on center spacing to avoid hanger interference, flush beams and/or plumbing drops. **DO NOT CUT JOIST FLANGES.**
- All EWP beams have been designed assuming full width support of the members/piles, unless noted otherwise.
- This drawing may contain deviations from the original project documents. It is the responsibility of the contractor to notify the project Design Professional of these deviations to verify conformance with the original design intent of the project.
- This layout is intended for the use of TrusJoist engineered wood products only. The substitution of other wood products with this layout is NOT PERMITTED. Please identify the TJI, TimberStrand® LSL, Microllam® LVL and Parallam® PSL stamps on the product to ensure that this layout is valid for the products actually installed.
- Only header openings and roof loads which affect Weyerhaeuser product sizes have been denoted on this layout. In addition to and 'CS' detail callouts shown, solid blocking and/or squashed blocks are required to provide vertical load transfer from all concealed load locations to foundation below. See Pocket Framers Guide for appropriate detail(s).

**SYMBOL LEGEND**

—	Bearing Length Requirement
—	Line Load
•	Point Load
□	Area Load
□	Member By Others
□	Closure By Others
□	Under Load Above
•	Toilet/Shower Plumbing Drop
•	Tub Plumbing Drop
—	Walls Above
⊗	Detail Callout Label



Weyerhaeuser prepared these plans for the specification of TrusJoist products based on project information provided to us. This service is provided as a design professional as determined by the building codes. The designer of record and/or builder/framer is responsible to assure these drawings are compatible with the overall project. Copyright 2009 Weyerhaeuser/TrusJoist Company. All rights reserved. Any copying or reproduction will constitute an infringement of copyright.

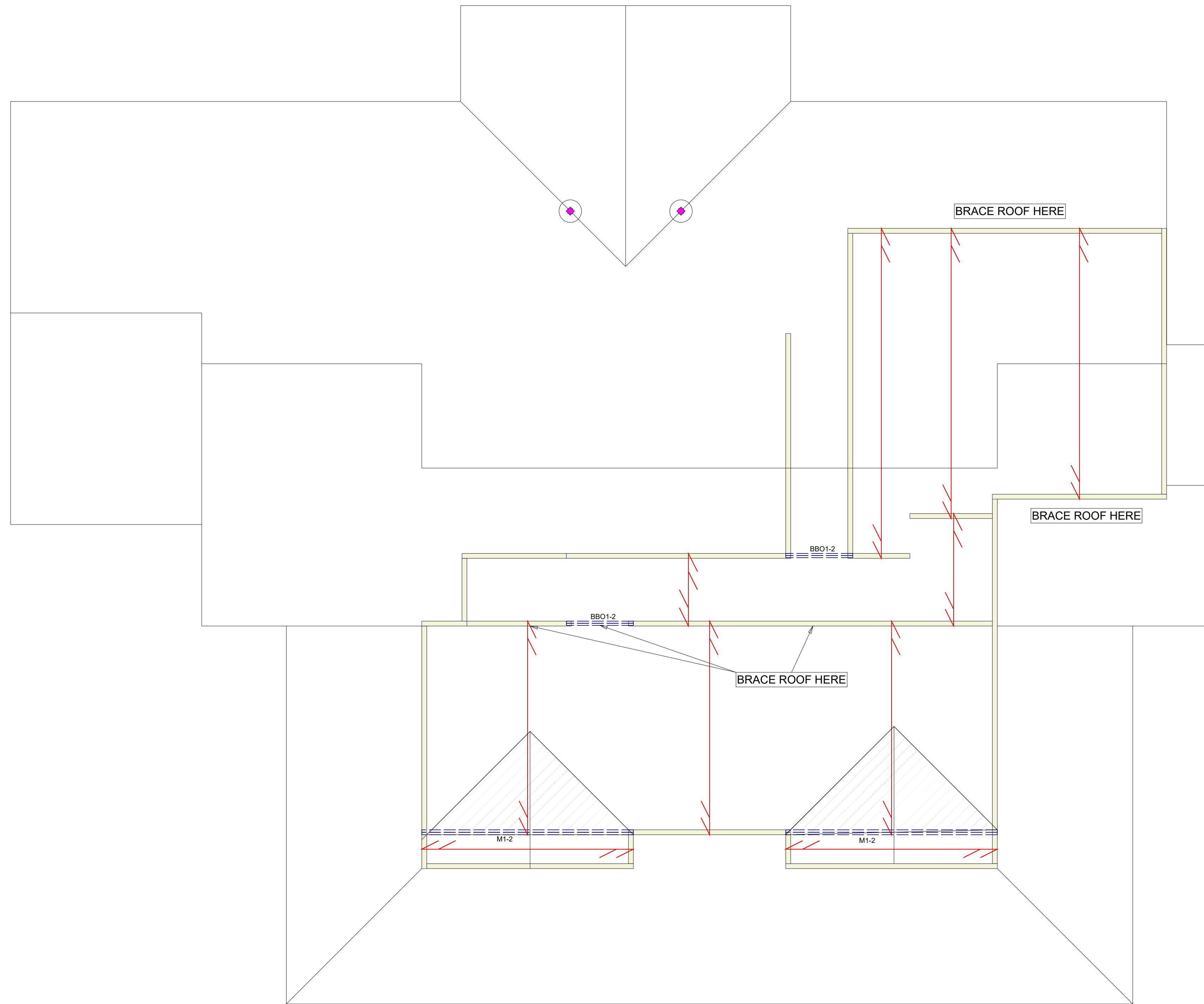
Architectural Drawings Prepared By: **WL MARTIN HOME DESIGNS**  
 Structural Drawings Prepared By: **Weyerhaeuser**  
 Specification Team: **www.axis.weyerhaeuser.com**  
 SERVICE REQUESTS: **www.axis.weyerhaeuser.com**

Latest Revision Date:  
 Revision Comments:  
 Revised By:  
 Drawn By:  
 Original Date:

Terry O  
 3/8/21

370 CYPRESS CHURCH  
 MALONEY  
 R21-233543  
 SR-291798  
**Sheet 2 of 4**





Products					
ProdID	Length	Product	Piles	Net Qty	
M1-2	14' 0"	1 3/4" x 9 1/4" 2.0E Microllam LVL	2	4	

Total Lengths	
Length	Product
56' 0"	1 3/4" x 9 1/4" 2.0E Microllam LVL

LEVEL NOTES	
Current Date:	3/9/2021
File Name:	SR-291798.rvt
Level Name:	Attic
Building Code - Design Methodology:	IBC 2018
Members with Design Overrides:	

**Ceiling Design Loads:**  
 20 PSF Live Load  
 10 PSF Dead Load

**Roof Design Loads:**  
 20 PSF Live Load (115%)  
 10 PSF Dead Load

Hatch Legend	
	OVERFRAMING

SYMBOL LEGEND	
	Bearing Length Requirement
	Line Load
	Point Load
	Area Load
	Member By Others
	Closure By Others
	Under Load Above
	Toilet/Shower Plumbing Drop
	Walls Above
	Detail Callout Label

- GENERAL NOTES:**
- Joists may be shifted up to 3" from on center spacing to avoid hanger interference, flush beams and/or plumbing drops. **DO NOT CUT JOIST FLANGES.**
  - All EWP beams have been designed assuming full width support of the members/piles, unless noted otherwise.
  - This drawing may contain deviations from the original project documents. It is the responsibility of the contractor to notify the project Design Professional of these deviations to verify conformance with the original design intent of the project.
  - This layout is intended for the use of TrusJoist engineered wood products only. The substitution of other wood products with this layout is NOT PERMITTED. Please identify the TJI, TimberStrand® LSL, Microllam® LVL and Parallam® PSL stamps on the product to ensure that this layout is valid for the products actually installed.
  - Only header openings and roof loads which affect Weyerhaeuser product sizes have been denoted on this layout. In addition to and 'CS' detail callouts shown, solid blocking and/or squash blocks are required to provide vertical load transfer from all concentrated load locations to foundation below. See Pocket Framers Guide for appropriate detail(s).

**WARNING**  
 Joists are unstable until braced laterally

Bracing Includes:  
 • Blocking  
 • Hangers  
 • Rim Board  
 • Sheathing  
 • Stem Joist  
 • Stud Line  
 • New Brack  
 • Stem Joist

**DO NOT** walk on joists until braced. **INJURY MAY RESULT.**

**DO NOT** walk on joists that are being cut.

**DO NOT** stack building materials on unbraced joists. Stack only over beams or walls.

**WARNING NOTES:**  
 Lack of proper bracing during construction can result in serious accidents. Observe the following guidelines:  
**WARNING: JOISTS ARE UNSTABLE UNTIL BRACED LATERALLY**  
**BRACING INCLUDES:** Blocking, Hangers, Rim Board, Sheathing, Stem Joist, Stud Lines

Lack of proper bracing during construction can result in serious accidents. Observe the following guidelines:  
 1. Properly install all blocking, hangers, rim boards, and stem joists at 2' joist end supports.  
 2. Establish a permanent deck (sheathing), blocked to the first 4 feet of joist at the end of the bay or braced end wall.  
 3. Safety bracing of end joists must be added to a braced end or sheathed area and to each joist.  
 4. Sheathing must be completely attached to each TJI joist before additional loads can be placed on the system.  
 5. Ends of joist ends require safety bracing on both the top and bottom flanges.  
 6. The flanges must remain straight within 1/2" from true alignment.

Weyerhaeuser, Microllam, Parallam, TimberStrand, TJI, T.J. and Trus Joist are registered trademarks of Weyerhaeuser NA. © 2014 Weyerhaeuser NA Company. All rights reserved.

Ceiling/Roof Framing Plan  
 Scale: 1/4" = 1'-0"

**TrusJoist**  
 ENGINEERED WOOD PRODUCTS

**Weyerhaeuser**

**Specification Team**  
 SERVICE.REQUESTS@WEYERHAEUSER.COM  
 WWW.AXIS.WEYERHAEUSER.COM

Weyerhaeuser prepared these plans for the specification of Trus Joist products based on project information provided to us. This service is provided as a design professional as determined by the building codes. The designer of record and/or builder/framer is responsible to assure these drawings are compatible with the overall project. Copyright 2009 Weyerhaeuser NA Company. All rights reserved. Any copying or reproduction will constitute an infringement of copyright.

Architectural Drawings Prepared By: Structural Drawings Prepared By:  
 WL MARTIN HOME DESIGNS N/A

Latest Revision Date:	Revision Comments:	Revised By:	Drawn By:	Original Date
			Terry O	3/8/21

370 CYPRESS CHURCH

MALONEY

R21-233543

SR-291798

**Sheet**  
**4 of 4**