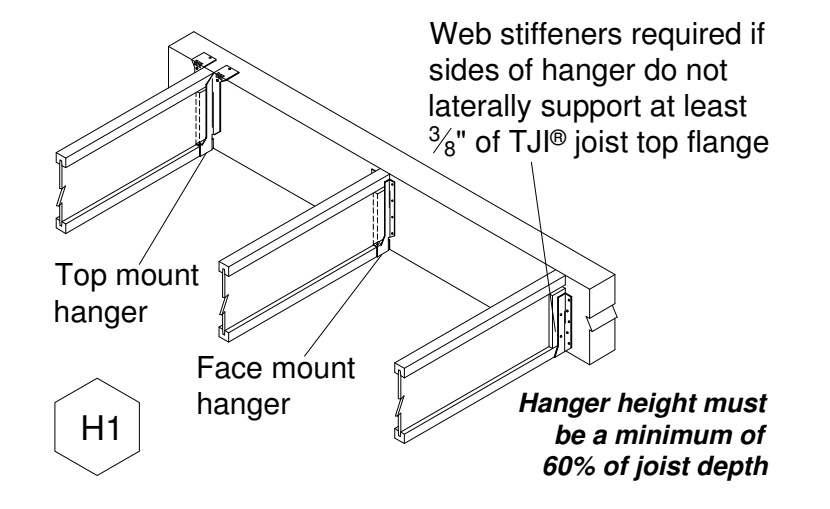
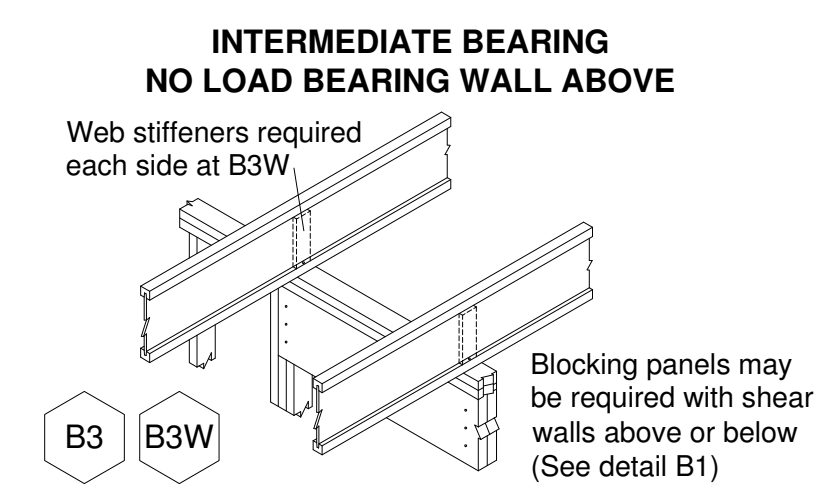
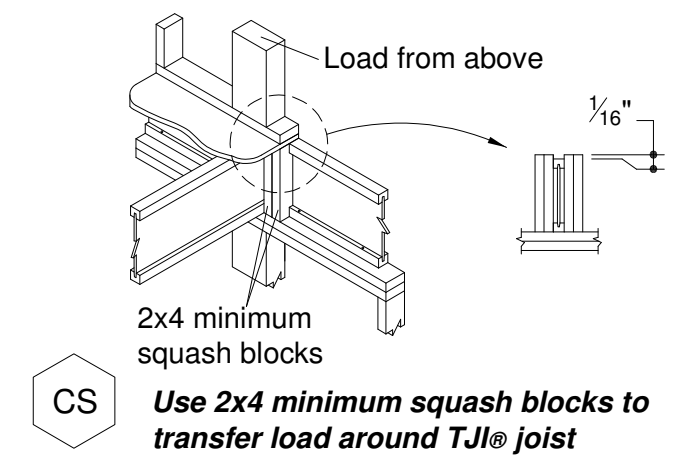
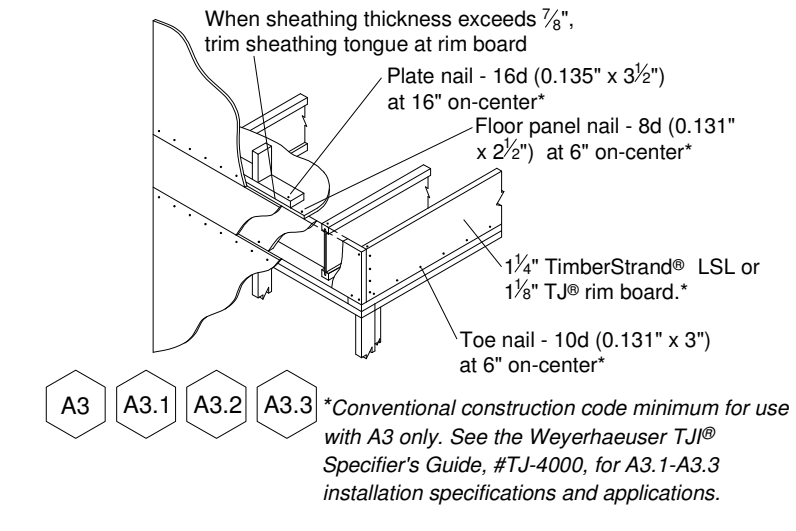
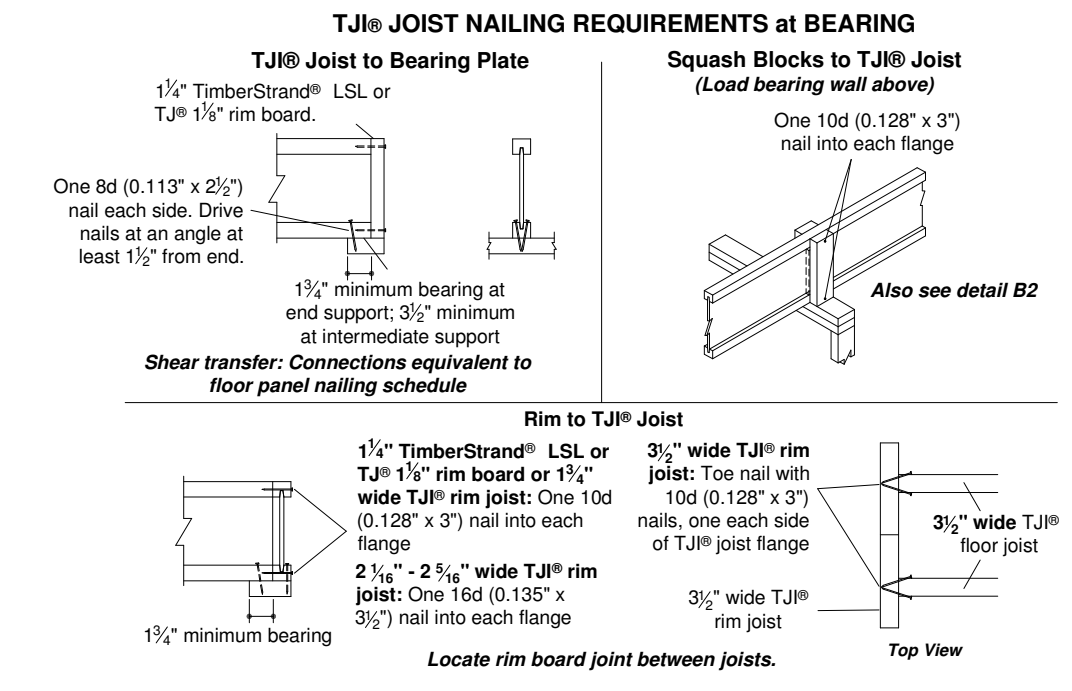


Family Room Below

**KENT**  
Seal Date 9/19/2013  
2nd Floor I-Joist Layout

2x headers provided by others



**GENERAL NOTES**

- 1.) READ THE INSTALLATION GUIDE BEFORE FRAMING TO DETERMINE WALLS NOT SHOWN HAVE BEEN CONSIDERED NON-LOAD BEARING.
- 2.) UNLESS STATED OTHERWISE ALL CEILING & ROOF LOADS BRACE DIRECTLY TO LOAD BEARING WALLS SUPPORTED BY FOUNDATION.
- 3.) CONTACT YOUR LOCAL BUILDERS FIRSTSOURCE LOCATION BEFORE MAKING ANY ALTERATION & ADJUSTMENTS. FAILURE MAY RESULT IN COSTLY REPAIRS.

**Builders FirstSource**  
A Weyerhaeuser Business

<b>H &amp; H HOMES</b>	<b>KENT - MASTER</b>	<b>JWG</b>	<b>Date: XXXX/13</b>
<b>SECOND FLOOR EWP DIAGRAM / JOIST PLACEMENT PLAN</b>	<b>Builders FirstSource, Coastal SC Markets</b>	<b>JWG</b>	<b>JOB FILE:</b>
<b>BUILDER:</b>	<b>MODEL:</b>	<b>SCALE:</b> 1/4" = 1'	<b>See Local Specifiers Guide and/or Framing Pocket Guide for Additional Installation &amp; Product Information.</b>

**MINIMUM DESIGN DATA**

LIVE LOAD 40 PSF  
DEAD LOAD 10 PSF  
TOTAL LOAD 50 PSF

STRESS DURATION = 100%

DEFLECTION CRITERIA  
L/360 (MINIMUM)

**FRAMER NOTE !!!!**

SOLID BLOCK POST LOADS FROM ABOVE TO BEARING PLATE BELOW. (ALL EXTERIOR DOOR HEADER JACK)

ARCHITECTURAL PLAN DATE	xx / xx / xx
REVISED Arch. Plan Date	xx / xx / xx

**WARNING**  
Joists are unstable until braced laterally.

Bracing includes:  
• Blocking  
• Sheathing  
• Seal Lines  
• Floor Board  
• Shear Wall

**DO NOT** walk on joists until blocked. **INJURY MAY RESULT.**

**DO NOT** walk on joists that are lying flat.

**DO NOT** stack building materials on unbraced joists. **Stack only over beams or walls.**

**WARNING NOTES:**  
Lack of proper bracing during construction can result in serious accidents. Observe the following guidelines:

1. All blocking, hangers, seal lines and rim joists at the end supports of the TJI joists must be completely installed and properly nailed.
2. Lateral strength, knee braced end wall or an existing deck, must be established at the ends of the bay. This can also be accomplished by a temporary or permanent deck (sheathing) attached to the floor joist joists at the end of the bay.
3. Lateral strength of end partitions must be verified in a detailed end wall or sheathing area (see #1002) and the end joist. Without this bracing, buckling sideways or rotation is highly probable under light construction loads - such as a worker or the top of concrete footing.
4. Sheathing must be completely attached to each TJI joist before additional loads can be placed on the system.
5. Ends of partitions require bracing on both the top and bottom flanges.
6. The hangers must remain straight within 1/2" from true alignment.

▲ Weyerhaeuser, Levels, MoistureShield, Framing, SilentFloors, TimberStrand®, TJI®, TJI® and True Joist® are registered trademarks of Weyerhaeuser NR. © 2012 Weyerhaeuser NR Company. All rights reserved.