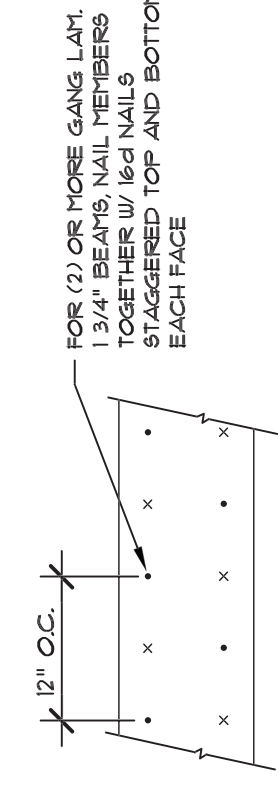
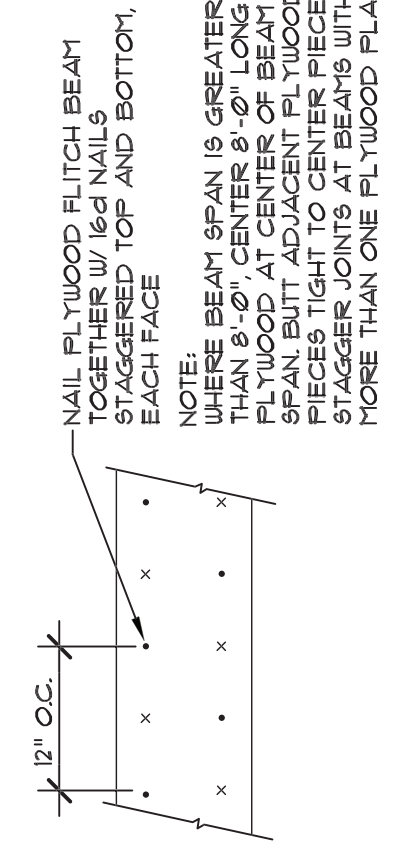


STRUCTURAL NOTES	
---	PHANTOM LINE INDICATES STEEL BEAM
	THIS SYMBOL INDICATES LOAD BEARING INTERIOR WALLS. ALL EXTERIOR WALLS ARE LOAD BEARING
- - - -	DASH LINE INDICATES ROOF FRAMING
---	CENTER LINE INDICATES BEAMS BELOW ROOF (SEE STUD NOTE ③) BELOW
③	INDICATES THE NUMBER OF STUDS OVER BEAM ABOVE.
	IF NUMBER OF STUDS AT BEAM ENDS ARE NOT INDICATED, USE (2) STUDS.
	UNLESS NOTED OTHERWISE, ALL INTERIOR DOOR AND WALL OPENINGS IN LOAD BEARING WALLS SHALL HAVE (2) 2x2 END (TYPICAL) STUDS AT EACH LINTEL.
	UNLESS NOTED OTHERWISE, ALL EXTERIOR DOORS AND WINDOW OPENINGS SHALL HAVE (2) 2x4x8 WITH 1/2" PLYWOOD PLATE LINTEL. USE (2) STUDS AT LINTEL ENDS UNLESS NOTED OTHERWISE. UNLESS NOTED OTHERWISE, ALL EXTERIOR WALL BEARINGS WHERE REQUIRED OVER EXTERIOR MASONRY WALL OPENINGS.
	AT ALL BUILDING WALLS, USE NOMINAL 1/2" STRUCTURAL GRADE 2 PLYWOOD OR NOMINAL 1/2" OSB (ORIENTED STRAND BOARD) MIN. EDGE NAILING: 16" O.C. FOR ALL INTERMEDIATE NAILING.
	CONNECTORS INDICATED ARE MANUFACTURED BY THE SHIPSON STRONG-TIE COMPANY, INC., SAN LEANDRO, CALIFORNIA 94511 (800-533-5093)
→	BRACE ROOF TO WALL OR BEAM BELOW

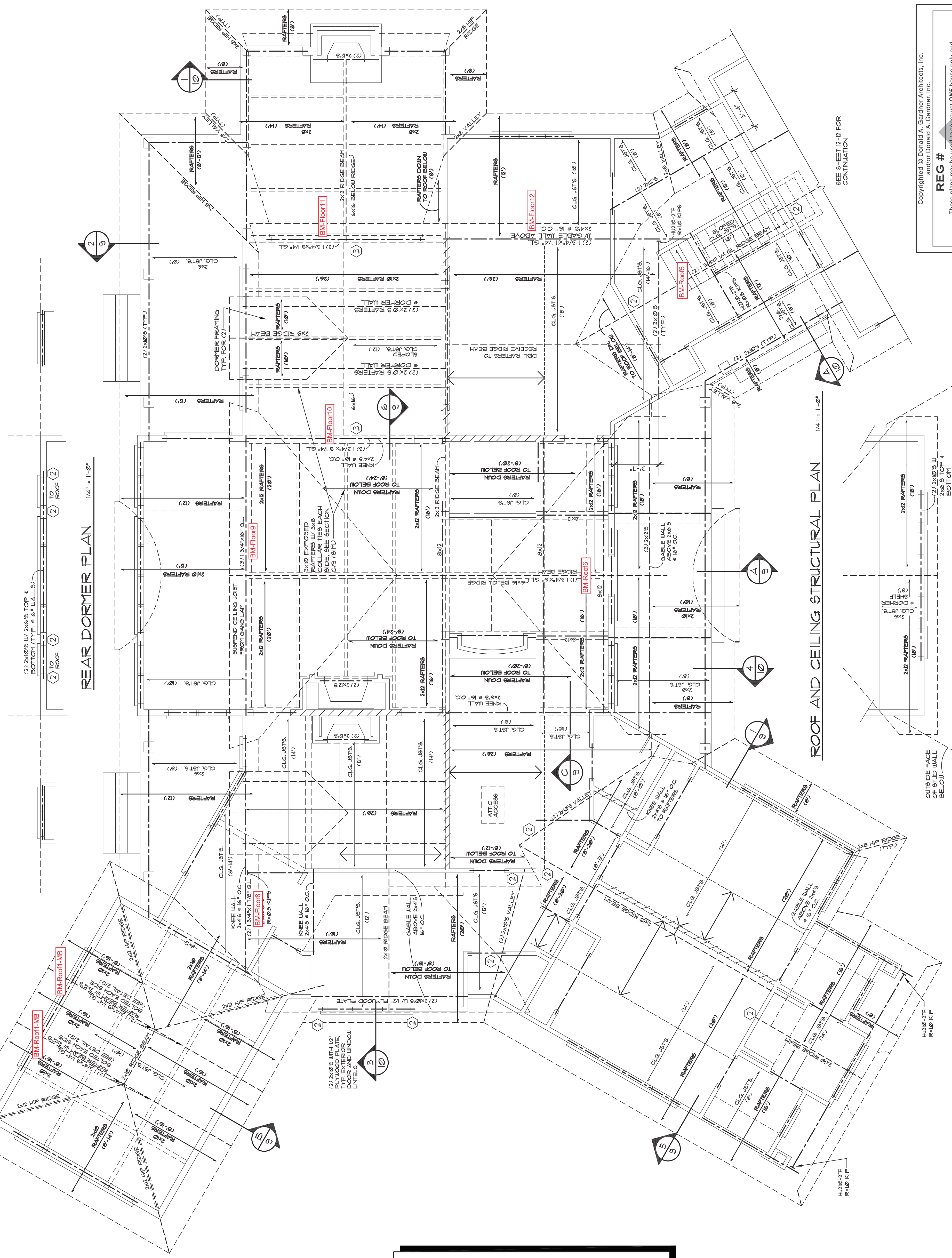
DESIGN CRITERIA	
(NOTE: DESIGN CRITERIA IN THIS AREA VARY BY STATE. IT IS THE RESPONSIBILITY OF THE OWNER/BUILDER TO VERIFY THESE.)	
1.	FRAMING DESIGN BASED ON THE FOLLOWING LOADINGS: ROOF 4 FLOOR DEAD LOADS - 15 PSF ROOF LIVE LOAD - 20 PSF FLOOR LIVE LOAD - 40 PSF MAXIMUM WIND SPEED - 80 MPH
2.	VERIFY SEISMIC REQUIREMENTS FOR YOUR AREA.
3.	SOIL DESIGN BEARING PRESSURE IS ASSUMED 2000 PSF. LOCAL SOIL CONDITIONS AND/OR LOCAL PRACTICE MAY NECESSITATE A MORE STRINGENT FOOTING AND FOUNDATION DESIGN. PLEASE CONSULT WITH LOCAL CONTRACTOR OR BUILDING INSPECTOR.
4.	INSULATION: WALL - R-13 FLOOR - R-15
5.	ALL MATERIAL SPECS. LAMINATED VENEER LUMBER GANG LAM LVL, WILMINGTON, NC (800-355-9102) OR APPROVED EQUAL SUPPLIER. ALL MATERIALS SHALL MEET OR EXCEED: Fd = 2500 PSI Fv = 2300 PSI E = 2,000,000 PSI GANG LAM LVL IS CAN BE USED BUT VARY FRONT SIZES INDICATED



MULTIPLE GANG LAM. DETAIL  
NOT TO SCALE



PLYWOOD FLITCH BEAM DETAIL  
NOT TO SCALE



STRUCTURAL LEGEND	
---	RAFTERS (CY)
---	RAFTERS 2x4x8 @ 16" O.C. UNLESS NOTED OTHERWISE
---	UNLESS NOTED OTHERWISE
---	(2) 2x4x8 TYPICAL BEAM OR HEADER UNLESS NOTED OTHERWISE
---	CLG. JST'S. (CY)
---	CEILING JOISTS 2x4x8 @ 16" O.C. UNLESS NOTED OTHERWISE

Copyrighted © Donald A. Gardner Architects, Inc. and/or Donald A. Gardner, Inc.

**REG #**

These drawings were used to construct ONE house only and are not to be used for any other project without the express written permission of the copyright holder. Any violation of the license shall be subject to legal action. The copyright holder shall be liable for any damages for each infringement from \$250 up to \$150,000. Permission to construct the building depicted in the drawings is expressly conditioned on the full and timely payment of all fees otherwise due to the copyright holder. See additional license terms on "License to Build" document.

This copyright notice is "copyright management information" under the Digital Millennium Copyright Act, and Donald A. Gardner Architects, Inc. and/or Donald A. Gardner, Inc. reserves its inclusion in all copies to discourage and prevent the unauthorized copying, distribution, or use of these documents or removal of the notice is subject to prosecution.

For questions call 1-800-388-7580

ALL FEDERAL, STATE, AND LOCAL CODES, ORDINANCES, REGULATIONS AND MANUFACTURER'S INSTRUCTIONS ETC. SHALL BE CONSIDERED AS PART OF THE SPECIFICATIONS FOR THIS BUILDING AND SHALL TAKE PRECEDENCE OVER ANYTHING SHOWN, DESCRIBED, OR IMPLIED WHERE SAME ARE AT VARIANCE. THESE PLANS ARE NOT DRAWN FOR ANY PARTICULAR LOCAL. YOU ARE RESPONSIBLE FOR DETERMINING AND ENSURING COMPLIANCE WITH ALL APPLICABLE CODES AND MANUFACTURER'S REQUIREMENTS.

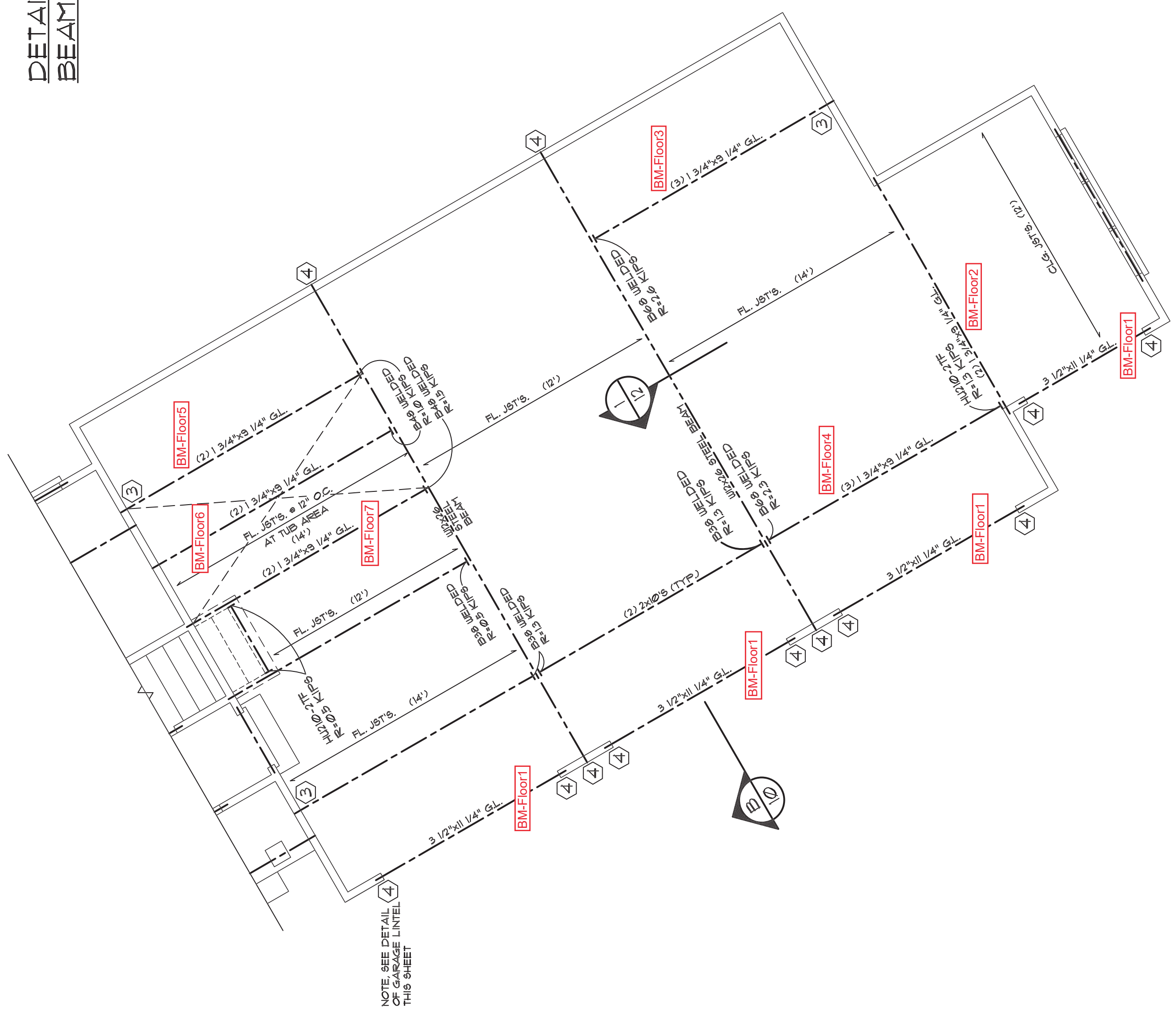
MODIFICATIONS BY DONALD A. GARDNER DESIGN SERVICES, LLC

DONALD A. GARDNER, INC.  
 P.O. BOX 26178 • GREENVILLE S.C. • 29616  
 864 • 288 • 7580  
 www.dongardner.com

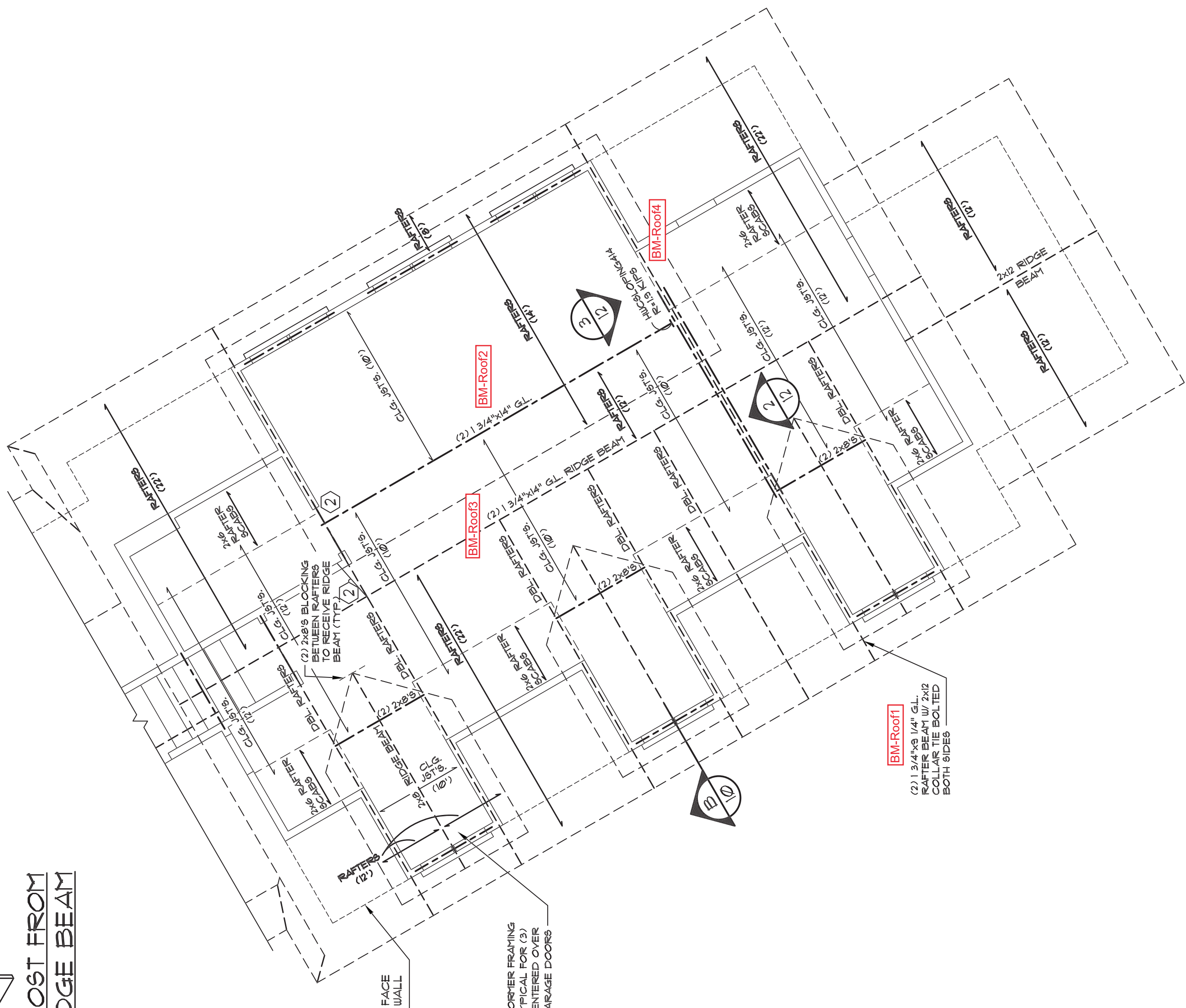
DESIGN NO. T19105-959-MR  
 SHEET OF DR 11 12 ENO  
 STRUCTURAL PLAN



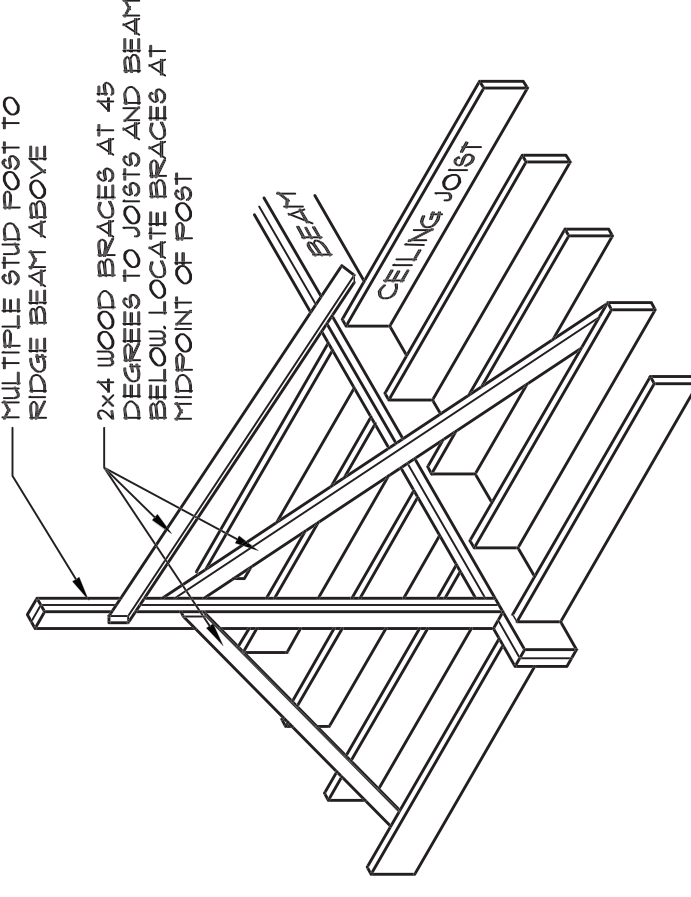
Copyrighted © Donald A. Gardner Architects, Inc. and/or Donald A. Gardner, Inc.  
**REG # 326618**  
 These plans may be used to construct **ONE** house only and the license **CANNOT** be transferred. By violating this copyright it is a violation of federal copyright statute which provides damages for each infringement from \$200 up to \$150,000. Permission is granted to reproduce these drawings as a condition on the full and timely payment of all fees shown on these drawings. See additional license terms on "License to Build" document.  
 This copyright notice is "copyright management information" under the Digital Millennium Copyright Act. Donald A. Gardner Architects, Inc. and/or Donald A. Gardner, Inc. do not warrant the accuracy, completeness, or timeliness of the information contained herein. Any reproduction or use of these documents or removal of the notification is subject to prosecution.  
 For questions call 1-800-388-7580



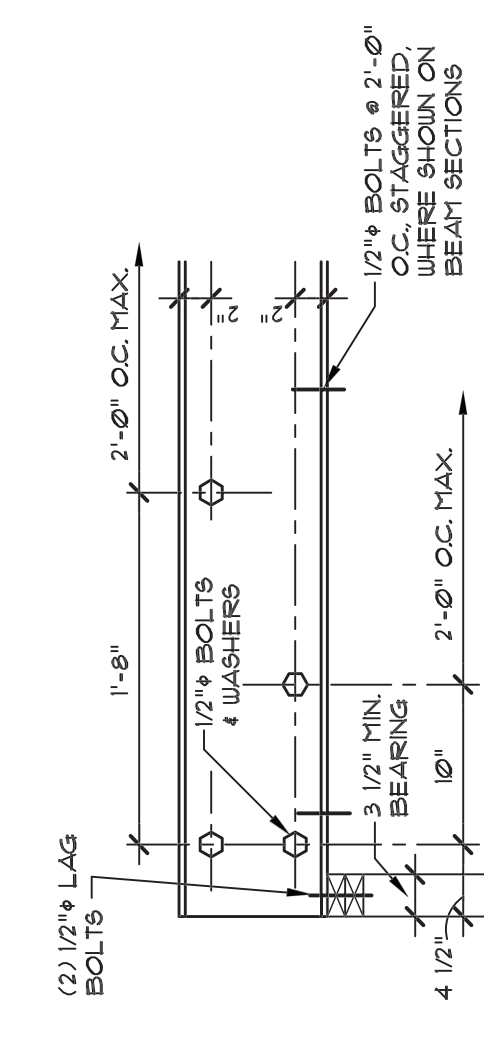
BONUS ROOM FLOOR FRAMING PLAN  
 1/4" = 1'-0"



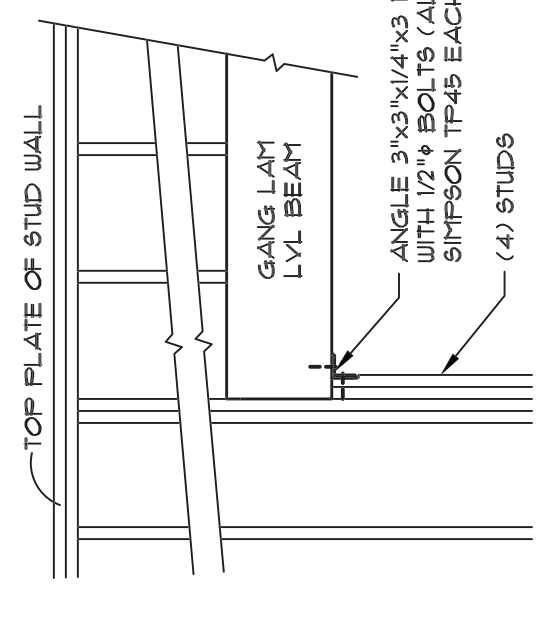
BONUS ROOM STRUCTURAL PLAN  
 1/4" = 1'-0"



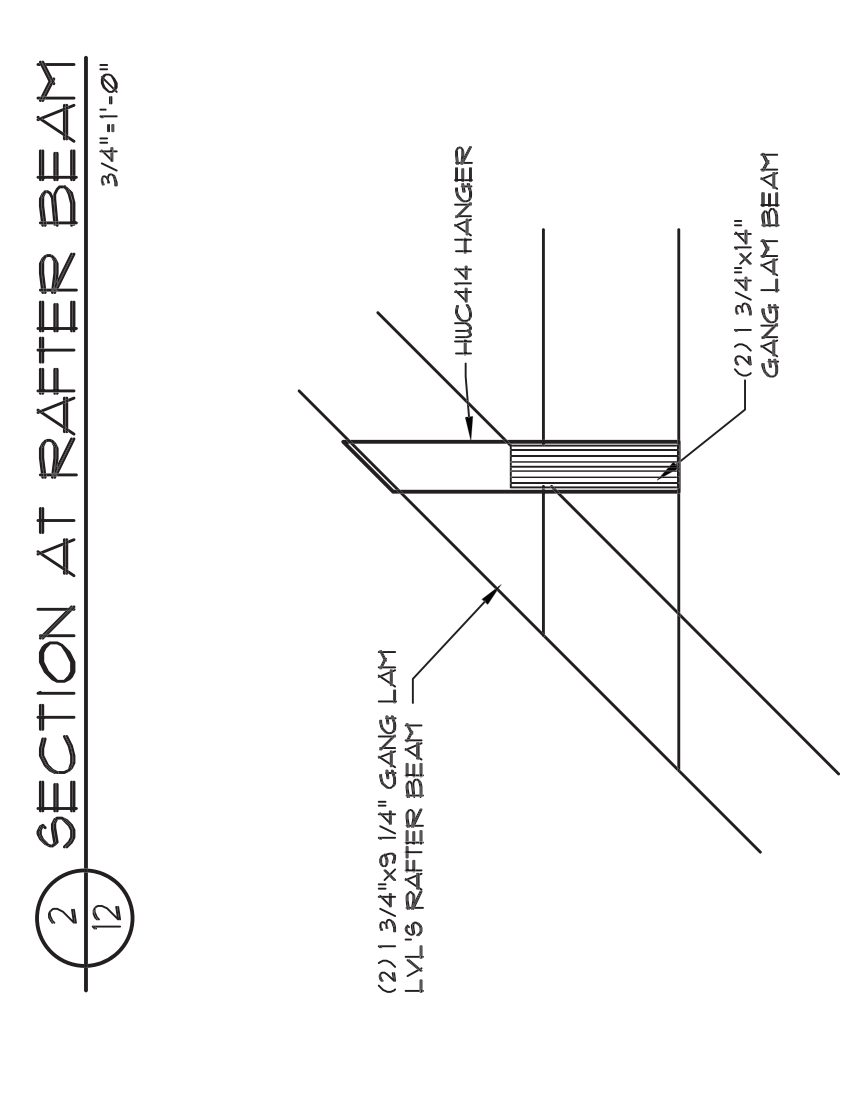
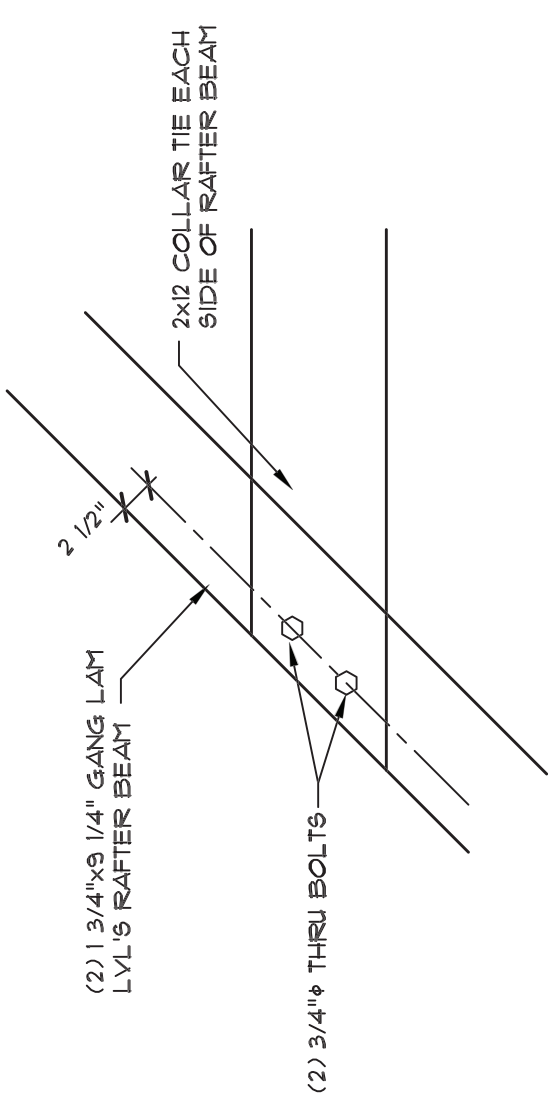
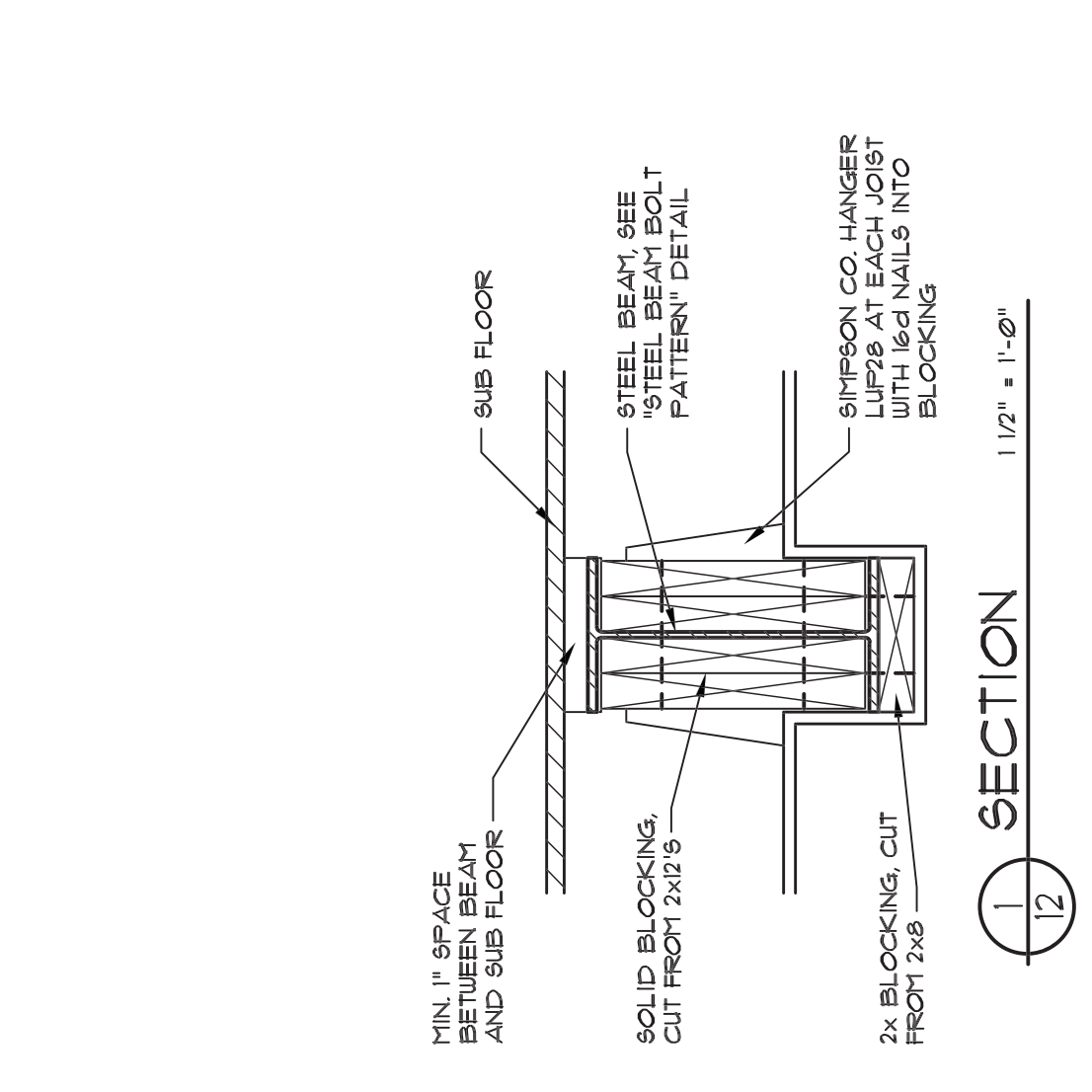
DETAIL OF POST FROM BEAM TO RIDGE BEAM



STEEL BEAM BOLT PATTERN  
 NOT TO SCALE



DETAIL OF GARAGE LINTEL  
 NOT TO SCALE



SECTION AT RAFTER BEAM  
 3/4" = 1'-0"

ALL FEDERAL, STATE, AND LOCAL CODES, ORDINANCES, REGULATIONS AND MANUFACTURER'S INSTRUCTIONS ETC. SHALL BE CONSIDERED AS PART OF THE SPECIFICATIONS FOR THIS BUILDING AND SHALL TAKE PRECEDENCE OVER ANYTHING SHOWN, DESCRIBED, OR IMPLIED WHERE SAME ARE AT VARIANCE. THESE PLANS ARE NOT DRAWN FOR ANY PARTICULAR LOCAL. YOU ARE RESPONSIBLE FOR DETERMINING AND ENSURING COMPLIANCE WITH ALL APPLICABLE CODES AND MANUFACTURER'S REQUIREMENTS.

MODIFICATIONS  
 BY  
**DONALD A. GARDNER**  
 DESIGN SERVICES, LLC

**DONALD A. GARDNER, INC.**  
 P.O. BOX 26178 • GREENVILLE S.C. • 29616  
 864 • 288 • 7580  
 www.dongardner.com

DESIGN NO. **M1905-959-MR**  
 SHEET OF DR **12** ENO  
 BONUS ROOM  
 STRUCTURAL PLANS

DO NOT SCALE DRAWINGS.  
 COPYRIGHT © 3/12/02. ALL RIGHTS RESERVED BY DONALD A. GARDNER, INC.  
 NOT TO BE COPIED OR REPRODUCED WITHOUT WRITTEN PERMISSION