

RE: 1110004_OFA - H&H-NC/Topsail/

Trenco

818 Soundside Rd
 Edenton, NC 27932

Site Information:

Project Customer: H and H Project Name: 1110004
 Lot/Block: A Subdivision:
 Model:
 Address: All
 City: Fayetteville State: NC

General Truss Engineering Criteria & Design Loads (Individual Truss Design Drawings Show Special Loading Conditions):

Design Code: IRC2009/TPI2007 Design Program: MiTek 20/20 7.6
 Wind Code: ASCE 7-05 Wind Speed: 130 mph Design Method: MWFRS(low-rise)/C-C hybrid Wind ASCE 7-05
 Roof Load: 40.0 psf Floor Load: N/A psf

Mean Roof Height (feet): 25 Exposure Category: C

No.	Seal#	Truss Name	Date	No.	Seal#	Truss Name	Date
1	I30128612	A01	6/12/17	35	I30128646	J11	6/12/17
2	I30128613	A02	6/12/17	36	I30128647	J12	6/12/17
3	I30128614	A03	6/12/17	37	I30128648	V01	6/12/17
4	I30128615	A04	6/12/17	38	I30128649	V02	6/12/17
5	I30128616	A05	6/12/17	39	I30128650	V03	6/12/17
6	I30128617	A06	6/12/17				
7	I30128618	A07	6/12/17				
8	I30128619	A08	6/12/17				
9	I30128620	A09	6/12/17				
10	I30128621	A10	6/12/17				
11	I30128622	A11	6/12/17				
12	I30128623	A12	6/12/17				
13	I30128624	A13	6/12/17				
14	I30128625	A14	6/12/17				
15	I30128626	B01	6/12/17				
16	I30128627	B02	6/12/17				
17	I30128628	B03	6/12/17				
18	I30128629	B04	6/12/17				
19	I30128630	B05	6/12/17				
20	I30128631	C01	6/12/17				
21	I30128632	C02	6/12/17				
22	I30128633	C03	6/12/17				
23	I30128634	CP01	6/12/17				
24	I30128635	CP02	6/12/17				
25	I30128636	J01	6/12/17				
26	I30128637	J02	6/12/17				
27	I30128638	J03	6/12/17				
28	I30128639	J04	6/12/17				
29	I30128640	J05	6/12/17				
30	I30128641	J06	6/12/17				
31	I30128642	J07	6/12/17				
32	I30128643	J08	6/12/17				
33	I30128644	J09	6/12/17				
34	I30128645	J10	6/12/17				

The truss drawing(s) referenced above have been prepared by MiTek USA, Inc. under my direct supervision based on the parameters provided by Builders FirstSource-Sumter, SC.

Truss Design Engineer's Name: Komnick, Chad
 My license renewal date for the state of North Carolina is December 31, 2017.

IMPORTANT NOTE: The seal on these truss component designs is a certification that the engineer named is licensed in the jurisdiction(s) identified and that the designs comply with ANSI/TPI 1. These designs are based upon parameters shown (e.g., loads, supports, dimensions, shapes and design codes), which were given to MiTek or TRENCO. Any project specific information included is for MiTek's or TRENCO's customers file reference purpose only, and was not taken into account in the preparation of these designs. MiTek or TRENCO has not independently verified the applicability of the design parameters or the designs for any particular building. Before use, the building designer should verify applicability of design parameters and properly incorporate these designs into the overall building design per ANSI/TPI 1, Chapter 2.

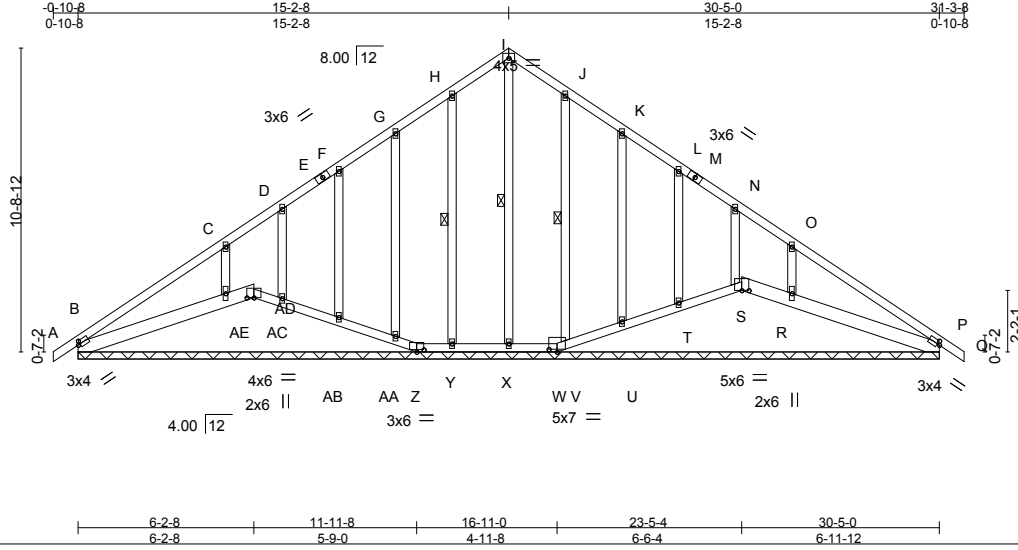


June 12, 2017

Job 1110004_OFA	Truss A01	Truss Type GABLE	Qty 3	Ply 1	H&H-NC/Topsail/ Job Reference (optional)	130128612
--------------------	--------------	---------------------	----------	----------	---	-----------

Builders FirstSource, Sumter, SC 29153

7,640 s Sep 29 2015 MiTek Industries, Inc. Mon Jun 12 13:03:21 2017 Page 1
ID:X87q8Dmm5MnjRaL.GAGDs0yEGbe-VrSRpEaVNOuGBGIovBOyxTIZJa_4iSyZt3DeV7z70YK



Scale = 1:81.4

Plate Offsets (X,Y)-- [B:0-1-0-0-1-8], [P:0-1-0-0-1-8], [S:0-3-0-0-0-0], [W:0-3-8-0-1-3], [Z:0-3-0-0-1-0], [AD:0-3-0-0-0-0]							
LOADING (psf)	SPACING-	2-0-0	CSI.	DEFL.	in (loc) l/defl L/d	PLATES	GRIP
TCLL 20.0	Plate Grip DOL	1.15	TC 0.38	Vert(LL) 0.01	Q n/r 120	MT20	244/190
TCDL 10.0	Lumber DOL	1.15	BC 0.21	Vert(TL) 0.02	Q n/r 120		
BCLL 0.0 *	Rep Stress Incr	YES	WB 0.25	Horz(TL) 0.02	P n/a n/a		
BCDL 10.0	Code IRC2009/TPI2007		(Matrix)				
						Weight: 209 lb	FT = 20%

LUMBER-	BRACING-
TOP CHORD 2x4 SP No.2	TOP CHORD Structural wood sheathing directly applied or 6-0-0 oc purlins.
BOT CHORD 2x4 SP No.2 *Except*	BOT CHORD Rigid ceiling directly applied or 10-0-0 oc bracing, Except:
OTHERS 2x4 SP No.3	6-0-0 oc bracing: AD-AE,R-S.
	WEBS 1 Row at midpt I-X, H-Y, J-V

REACTIONS. All bearings 30-5-0.
 (lb) - Max Horz B=-687(LC 6)
 Max Uplift All uplift 100 lb or less at joint(s) S, AC except B=-311(LC 6), AD=-104(LC 3), Z=-144(LC 9), W=-153(LC 9), P=-182(LC 9), Y=-192(LC 8), AA=-210(LC 8), AB=-232(LC 8), AE=-591(LC 8), V=-177(LC 9), U=-208(LC 9), T=-243(LC 9), R=-568(LC 9)
 Max Grav All reactions 250 lb or less at joint(s) Z, W, P, Y, AA, AB, AC, V, U, T except B=277(LC 7), AD=289(LC 9), S=259(LC 9), X=471(LC 9), AE=473(LC 1), R=427(LC 14)

FORCES. (lb) - Max. Comp./Max. Ten. - All forces 250 (lb) or less except when shown.
 TOP CHORD B-C=-563/412, C-D=-316/351, D-E=-272/348, E-F=-262/356, F-G=-169/364, G-H=-78/466, H-I=-55/547, I-J=-55/546, J-K=-51/428, K-L=-54/293, O-P=-330/170
 BOT CHORD B-AE=-152/466, AD-AE=-125/463, AC-AD=-134/467, AB-AC=-136/470, AA-AB=-136/470, Z-AA=-133/470, Y-Z=-125/442, X-Y=-125/442, W-X=-125/442, V-W=-130/472, U-V=-136/470, T-U=-136/470, S-T=-138/473, R-S=-143/481, P-R=-136/469
 WEBS I-X=-447/0, F-AB=-137/258, C-AE=-277/553, L-T=-137/260, O-R=-277/551

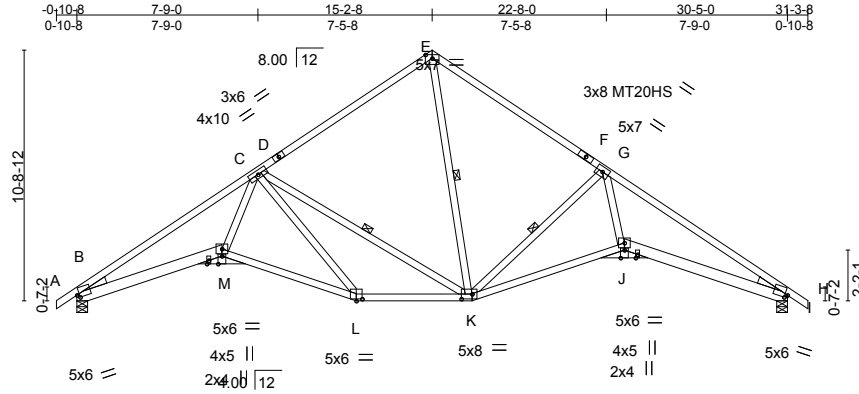
- NOTES-** (13)
- Unbalanced roof live loads have been considered for this design.
 - Wind: ASCE 7-05; 130mph; TCDF=6.0psf; BCDL=6.0psf; h=25ft; Cat. II; Exp C; enclosed; MWFRS (low-rise) gable end zone and C-C Exterior(2) zone; end vertical left and right exposed; C-C for members and forces & MWFRS for reactions shown; Lumber DOL=1.60 plate grip DOL=1.60
 - Truss designed for wind loads in the plane of the truss only. For studs exposed to wind (normal to the face), see Standard Industry Gable End Details as applicable, or consult qualified building designer as per ANSI/TPI 1.
 - This truss has been designed for basic load combinations, which include cases with reductions for multiple concurrent live loads.
 - All plates are 2x4 MT20 unless otherwise indicated.
 - Gable requires continuous bottom chord bearing.
 - Gable studs spaced at 2-0-0 oc.
 - This truss has been designed for a 10.0 psf bottom chord live load nonconcurrent with any other live loads.
 - * This truss has been designed for a live load of 20.0psf on the bottom chord in all areas where a rectangle 3-6-0 tall by 2-0-0 wide will fit between the bottom chord and any other members.
 - Provide mechanical connection (by others) of truss to bearing plate capable of withstanding 100 lb uplift at joint(s) S, AC except (jt=lb) B=311, AD=104, Z=144, W=153, P=182, Y=192, AA=210, AB=232, AE=591, V=177, U=208, T=243, R=568.
 - Beveled plate or shim required to provide full bearing surface with truss chord at joint(s) AD, S, AA, AB, AC, AE, V, U, T, R.
 - "Semi-rigid pitchbreaks including heels" Member end fixity model was used in the analysis and design of this truss.
 - This manufactured truss is designed as an individual building component. The suitability and use of this component for any particular building is the responsibility of the building designer per ANSI TPI 1 as referenced by the building code.



Job 1110004_OFA	Truss A02	Truss Type Roof Special	Qty 14	Ply 1	H&H-NC/Topsail/ 130128613
--------------------	--------------	----------------------------	-----------	----------	------------------------------

Builders FirstSource, Sumter, SC 29153

7.640 s Sep 29 2015 MiTek Industries, Inc. Mon Jun 12 13:03:22 2017 Page 1
ID:X87q8Dmm5MnjRaLGAgDs0yzEGbe-z1?p0aa78h07pQKCTvvBThlb1zBJRoz7iyB1Zz70YJ



Scale = 1:98.6

Plate Offsets (X,Y)-- [B:0-1-5,0-1-8], [H:0-1-5,0-1-8], [J:0-4-0,Edge], [K:0-5-8,0-2-8], [L:0-3-0,0-1-0], [M:0-4-0,Edge]

LOADING (psf)	SPACING-	2-0-0	CSI.	DEFL.	in (loc)	I/defl	L/d	PLATES	GRIP
TCLL 20.0	Plate Grip DOL	1.15	TC 0.96	Vert(LL)	-0.19	J-K	>999	MT20	244/190
TCDL 10.0	Lumber DOL	1.15	BC 0.78	Vert(TL)	-0.53	J-K	>684	MT20HS	187/143
BCLL 0.0 *	Rep Stress Incr	YES	WB 0.64	Horz(TL)	0.35	H	n/a		
BCDL 10.0	Code IRC2009/TPI2007		(Matrix-S)	Wind(LL)	0.32	J-K	>999		
								Weight: 188 lb	FT = 20%

LUMBER-

TOP CHORD 2x4 SP No.2
 BOT CHORD 2x4 SP No.2 *Except*
 B-M,H-J: 2x6 SP No.2
 WEBS 2x4 SP No.3
 WEDGE
 Left: 2x4 SP No.3, Right: 2x4 SP No.3

BRACING-

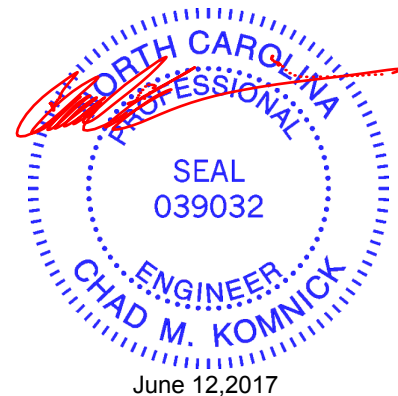
TOP CHORD Structural wood sheathing directly applied.
 BOT CHORD Rigid ceiling directly applied.
 WEBS 1 Row at midpt C-K, E-K, G-K

REACTIONS. (lb/size) B=1269/0-5-8, H=1269/0-5-8
 Max Horz B=-669(LC 6)
 Max Uplift B=-906(LC 8), H=-906(LC 9)

FORCES. (lb) - Max. Comp./Max. Ten. - All forces 250 (lb) or less except when shown.
 TOP CHORD B-C=-3006/1985, C-D=-1154/1006, D-E=-1027/1051, E-F=-1181/1197, F-G=-1304/1153,
 G-H=-3016/1990
 BOT CHORD B-M=-1741/2508, L-M=-1360/1914, K-L=-893/1418, J-K=-1265/2146, H-J=-1458/2517
 WEBS C-M=-949/1517, C-L=-621/622, C-K=-674/727, E-K=-733/789, G-K=-1441/1237,
 G-J=-776/1554

NOTES- (10)

- Unbalanced roof live loads have been considered for this design.
- Wind: ASCE 7-05; 130mph; TCDL=6.0psf; BCDL=6.0psf; h=25ft; Cat. II; Exp C; enclosed; MWFRS (low-rise) gable end zone and C-C Exterior(2) zone; end vertical left and right exposed; C-C for members and forces & MWFRS for reactions shown; Lumber DOL=1.60 plate grip DOL=1.60
- This truss has been designed for basic load combinations, which include cases with reductions for multiple concurrent live loads.
- All plates are MT20 plates unless otherwise indicated.
- This truss has been designed for a 10.0 psf bottom chord live load nonconcurrent with any other live loads.
- * This truss has been designed for a live load of 20.0psf on the bottom chord in all areas where a rectangle 3-6-0 tall by 2-0-0 wide will fit between the bottom chord and any other members.
- Bearing at joint(s) B, H considers parallel to grain value using ANSI/TPI 1 angle to grain formula. Building designer should verify capacity of bearing surface.
- Provide mechanical connection (by others) of truss to bearing plate capable of withstanding 100 lb uplift at joint(s) except (jt=lb) B=906, H=906.
- This truss design requires that a minimum of 7/16" structural wood sheathing be applied directly to the top chord and 1/2" gypsum sheetrock be applied directly to the bottom chord.
- This manufactured truss is designed as an individual building component. The suitability and use of this component for any particular building is the responsibility of the building designer per ANSI TPI 1 as referenced by the building code.



WARNING - Verify design parameters and READ NOTES ON THIS AND INCLUDED MITTEK REFERENCE PAGE MII-7473 rev. 10/03/2015 BEFORE USE.

Design valid for use only with MiTek® connectors. This design is based only upon parameters shown, and is for an individual building component, not a truss system. Before use, the building designer must verify the applicability of design parameters and properly incorporate this design into the overall building design. Bracing indicated is to prevent buckling of individual truss web and/or chord members only. Additional temporary and permanent bracing is always required for stability and to prevent collapse with possible personal injury and property damage. For general guidance regarding the fabrication, storage, delivery, erection and bracing of trusses and truss systems, see ANSITPI Quality Criteria, DSB-89 and BCSI Building Component Safety Information available from Truss Plate Institute, 218 N. Lee Street, Suite 312, Alexandria, VA 22314.

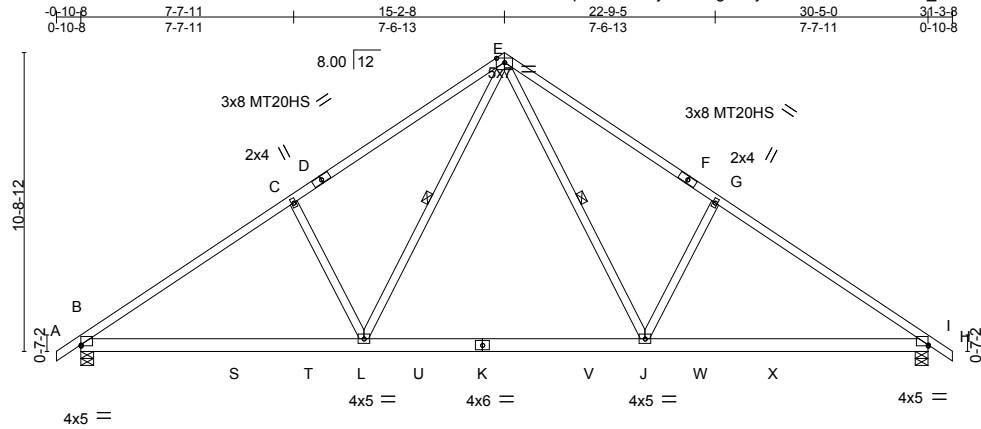


818 Soundside Road
 Edenton, NC 27932

Job 1110004_OFA	Truss A03	Truss Type Common	Qty 4	Ply 1	H&H-NC/Topsail/ Job Reference (optional)	130128614
--------------------	--------------	----------------------	----------	----------	---	-----------

Builders FirstSource, Sumter, SC 29153

7.640 s Sep 29 2015 MiTek Industries, Inc. Mon Jun 12 13:03:23 2017 Page 1
ID:X87q8Dmm5MnjRaLGAGDs0yzEGbe-RDZBEwblv?8_RavP1cQQ0urmYNbOAJUGxNikZ?z70YI



Scale = 1:82.7

Plate Offsets (X,Y)-- [B:0-0-0-0-0-7], [H:Edge,0-0-7]	10-1-15 10-1-15	20-3-1 10-1-1	30-5-0 10-1-15
---	--------------------	------------------	-------------------

LOADING (psf)	SPACING-	CSI.	DEFL.	in (loc)	I/defl	L/d	PLATES	GRIP
TCLL 20.0	2-0-0	TC 0.91	Vert(LL)	-0.14	J-L >999	360	MT20	244/190
TCDL 10.0	Plate Grip DOL 1.15	BC 0.54	Vert(TL)	-0.26	J-L >999	240	MT20HS	187/143
BCLL 0.0 *	Lumber DOL 1.15	WB 0.43	Horz(TL)	0.04	H n/a	n/a		
BCDL 10.0	Rep Stress Incr YES	(Matrix-S)	Wind(LL)	0.14	L-O >999	240		
	Code IRC2009/TPI2007						Weight: 179 lb	FT = 20%

LUMBER-

TOP CHORD 2x4 SP No.2
BOT CHORD 2x6 SP No.2
WEBS 2x4 SP No.3

BRACING-

TOP CHORD Structural wood sheathing directly applied.
BOT CHORD Rigid ceiling directly applied.
WEBS 1 Row at midpt E-J, E-L

REACTIONS.

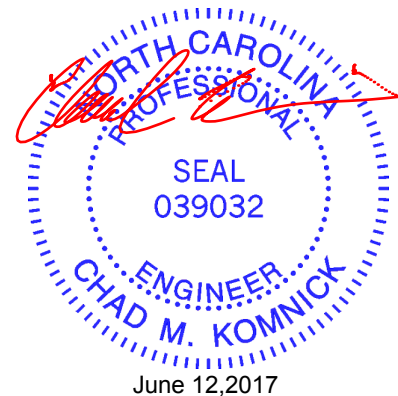
(lb/size) B=1269/0-5-8, H=1269/0-5-8
Max Horz B=669(LC 7)
Max Uplift B=907(LC 8), H=907(LC 9)
Max Grav B=1280(LC 2), H=1280(LC 2)

FORCES. (lb) - Max. Comp./Max. Ten. - All forces 250 (lb) or less except when shown.

TOP CHORD B-C=-1808/1295, C-D=-1650/1391, D-E=-1539/1437, E-F=-1539/1437, F-G=-1650/1391, G-H=-1808/1295
BOT CHORD B-S=-960/1428, S-T=-960/1428, L-T=-960/1428, L-U=-331/952, K-U=-331/952, K-V=-331/952, J-V=-331/952,
J-W=-814/1428, W-X=-814/1428, H-X=-814/1428
WEBS E-J=-659/764, G-J=-416/768, E-L=-658/764, C-L=-416/768

NOTES- (9)

- 1) Unbalanced roof live loads have been considered for this design.
- 2) Wind: ASCE 7-05; 130mph; TCDL=6.0psf; BCDL=6.0psf; h=25ft; Cat. II; Exp C; enclosed; MWFRS (low-rise) gable end zone and C-C Exterior(2) zone; end vertical left and right exposed; C-C for members and forces & MWFRS for reactions shown; Lumber DOL=1.60 plate grip DOL=1.60
- 3) This truss has been designed for basic load combinations, which include cases with reductions for multiple concurrent live loads.
- 4) All plates are MT20 plates unless otherwise indicated.
- 5) This truss has been designed for a 10.0 psf bottom chord live load nonconcurrent with any other live loads.
- 6) * This truss has been designed for a live load of 20.0psf on the bottom chord in all areas where a rectangle 3-6-0 tall by 2-0-0 wide will fit between the bottom chord and any other members, with BCDL = 10.0psf.
- 7) Provide mechanical connection (by others) of truss to bearing plate capable of withstanding 100 lb uplift at joint(s) except (jt=Ib) B=907, H=907.
- 8) This truss design requires that a minimum of 7/16" structural wood sheathing be applied directly to the top chord and 1/2" gypsum sheetrock be applied directly to the bottom chord.
- 9) This manufactured truss is designed as an individual building component. The suitability and use of this component for any particular building is the responsibility of the building designer per ANSI TPI 1 as referenced by the building code.



WARNING - Verify design parameters and READ NOTES ON THIS AND INCLUDED MITTEK REFERENCE PAGE MII-7473 rev. 10/03/2015 BEFORE USE.

Design valid for use only with MiTek® connectors. This design is based only upon parameters shown, and is for an individual building component, not a truss system. Before use, the building designer must verify the applicability of design parameters and properly incorporate this design into the overall building design. Bracing indicated is to prevent buckling of individual truss web and/or chord members only. Additional temporary and permanent bracing is always required for stability and to prevent collapse with possible personal injury and property damage. For general guidance regarding the fabrication, storage, delivery, erection and bracing of trusses and truss systems, see **ANSI/TPI1 Quality Criteria, DSB-89 and BCSI Building Component Safety Information** available from Truss Plate Institute, 218 N. Lee Street, Suite 312, Alexandria, VA 22314.



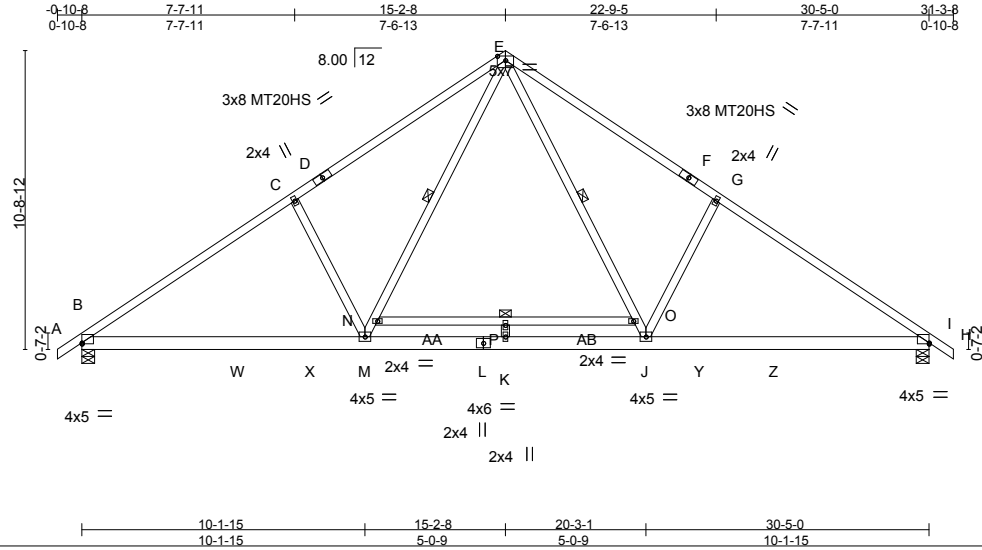
818 Soundside Road
Edenton, NC 27932

Job 1110004_OFA	Truss A04	Truss Type Common	Qty 8	Ply 1	H&H-NC/Topsail/ 130128615
--------------------	--------------	----------------------	----------	----------	------------------------------

Builders FirstSource, Sumter, SC 29153

7.640 s Sep 29 2015 MiTek Industries, Inc. Mon Jun 12 13:03:24 2017 Page 1

ID:X87q8Dmm5MnjRaLGAGDs0yzEGbe-vQ7ZRGcNgJGr2kUbaKyfZ6NzPnkv6Q91Ri6Sz70YH



Scale = 1:82.7

Plate Offsets (X,Y)-- [B:0-0-0-0-0-7], [H:Edge,0-0-7]

LOADING (psf)	SPACING-	CSI.	DEFL.	in (loc)	I/defl	L/d	PLATES	GRIP
TCLL 20.0	2-0-0	TC 0.77	Vert(LL) -0.18	K	>999	360	MT20	244/190
TCDL 10.0	Plate Grip DOL 1.15	BC 0.66	Vert(TL) -0.29	K	>999	240	MT20HS	187/143
BCLL 0.0 *	Lumber DOL 1.15	WB 0.41	Horz(TL) 0.04	H	n/a	n/a		
BCDL 10.0	Rep Stress Incr NO	(Matrix-S)	Wind(LL) 0.14	M-S	>999	240		
	Code IRC2009/TP12007						Weight: 193 lb	FT = 20%

LUMBER-

TOP CHORD 2x4 SP No.2 *Except*
A-D,F-I: 2x4 SP No.1
BOT CHORD 2x6 SP No.2
WEBS 2x4 SP No.3 *Except*
N-O: 2x4 SP No.2

BRACING-

TOP CHORD Structural wood sheathing directly applied.
BOT CHORD Rigid ceiling directly applied.
WEBS 1 Row at midpt E-J, E-M, N-O

REACTIONS.

(lb/size) B=1269/0-5-8, H=1269/0-5-8
Max Horz B=-669(LC 6)
Max Uplift B=-907(LC 8), H=-907(LC 9)
Max Grav B=1270(LC 2), H=1270(LC 2)

FORCES.

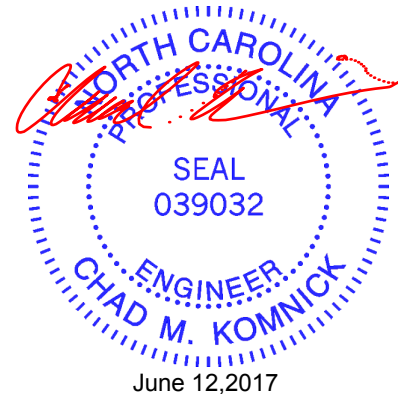
(lb) - Max. Comp./Max. Ten. - All forces 250 (lb) or less except when shown.
TOP CHORD B-C=-1786/1297, C-D=-1628/1394, D-E=-1516/1440, E-F=-1516/1440, F-G=-1628/1394,
G-H=-1786/1297
BOT CHORD B-W=-963/1410, W-X=-963/1410, M-X=-963/1410, L-M=-384/1020, K-L=-384/1020,
J-K=-384/1020, J-Y=-817/1410, Y-Z=-817/1410, H-Z=-817/1410
WEBS E-O=-663/753, J-O=-641/702, G-J=-418/772, M-N=-642/702, E-N=-663/753, C-M=-418/772

NOTES-

- (9)
- 1) Unbalanced roof live loads have been considered for this design.
- 2) Wind: ASCE 7-05; 130mph; TCDL=6.0psf; BCDL=6.0psf; h=25ft; Cat. II; Exp C; enclosed; MWFRS (low-rise) gable end zone and C-C Exterior(2) zone; end vertical left and right exposed; C-C for members and forces & MWFRS for reactions shown; Lumber DOL=1.60 plate grip DOL=1.60
- 3) This truss has been designed for basic load combinations, which include cases with reductions for multiple concurrent live loads.
- 4) All plates are MT20 plates unless otherwise indicated.
- 5) This truss has been designed for a 10.0 psf bottom chord live load nonconcurrent with any other live loads.
- 6) * This truss has been designed for a live load of 20.0psf on the bottom chord in all areas where a rectangle 3-6-0 tall by 2-0-0 wide will fit between the bottom chord and any other members, with BCDL = 10.0psf.
- 7) Provide mechanical connection (by others) of truss to bearing plate capable of withstanding 100 lb uplift at joint(s) except (jt=Ib) B=907, H=907.
- 8) This truss design requires that a minimum of 7/16" structural wood sheathing be applied directly to the top chord and 1/2" gypsum sheetrock be applied directly to the bottom chord.
- 9) This manufactured truss is designed as an individual building component. The suitability and use of this component for any particular building is the responsibility of the building designer per ANSI TPI 1 as referenced by the building code.

LOAD CASE(S) Standard

- 1) Dead + Roof Live (balanced): Lumber Increase=1.15, Plate Increase=1.15
Uniform Loads (plf)
Vert: A-E=-60, E-I=-60, Q-T=-20



WARNING - Verify design parameters and READ NOTES ON THIS AND INCLUDED MITEK REFERENCE PAGE MII-7473 rev. 10/03/2015 BEFORE USE.

Design valid for use only with MiTek® connectors. This design is based only upon parameters shown, and is for an individual building component, not a truss system. Before use, the building designer must verify the applicability of design parameters and properly incorporate this design into the overall building design. Bracing indicated is to prevent buckling of individual truss web and/or chord members only. Additional temporary and permanent bracing is always required for stability and to prevent collapse with possible personal injury and property damage. For general guidance regarding the fabrication, storage, delivery, erection and bracing of trusses and truss systems, see ANSITPI Quality Criteria, DSB-89 and BCSI Building Component Safety Information available from Truss Plate Institute, 218 N. Lee Street, Suite 312, Alexandria, VA 22314.



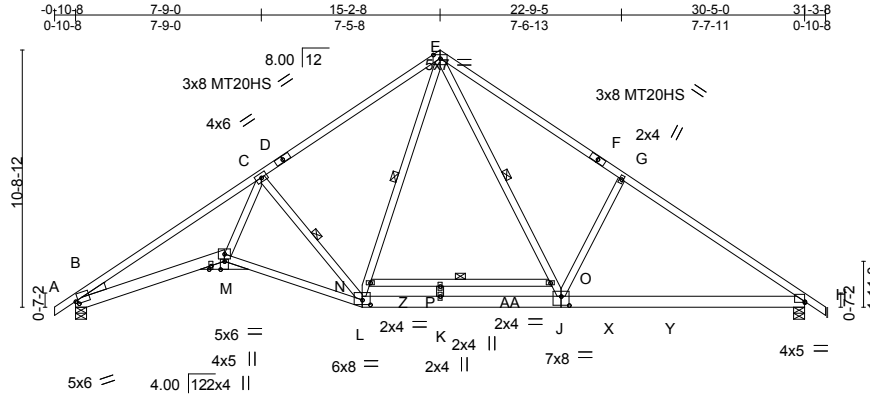
818 Soundside Road
Edenton, NC 27932

Job 1110004_OFA	Truss A05	Truss Type Roof Special	Qty 8	Ply 1	H&H-NC/Topsail/ 130128616
--------------------	--------------	----------------------------	----------	----------	------------------------------

Builders FirstSource, Sumter, SC 29153

7.640 s Sep 29 2015 MiTek Industries, Inc. Mon Jun 12 13:03:25 2017 Page 1

ID:X87q8Dmm5MnjRaLGAgs0yzEGbe-Nchyfcd?RcOigt3n81Tu5Jw8mBC1eA1ZOhBreuz70YG



Scale: 1/8"=1'

Plate Offsets (X,Y)--	[B:0-1-5,0-1-8], [H:0-0-0,0-0-7], [J:0-4-0,0-4-8], [L:0-4-0,0-2-6], [M:0-4-0,Edge]
-----------------------	--

LOADING (psf)	SPACING-	2-0-0	CSI.	DEFL.	in (loc)	I/defl	L/d	PLATES	GRIP
TCLL 20.0	Plate Grip DOL	1.15	TC 0.80	Vert(LL)	-0.14	K	>999	MT20	244/190
TCDL 10.0	Lumber DOL	1.15	BC 0.85	Vert(TL)	-0.36	L-M	>999	MT20HS	187/143
BCLL 0.0 *	Rep Stress Incr	NO	WB 0.62	Horz(TL)	0.17	H	n/a		
BCDL 10.0	Code IRC2009/TPI2007		(Matrix-S)	Wind(LL)	0.24	L-M	>999		
								Weight: 198 lb	FT = 20%

LUMBER-	BRACING-
TOP CHORD 2x4 SP No.2 *Except* A-D,F-I: 2x4 SP No.1	TOP CHORD Structural wood sheathing directly applied.
BOT CHORD 2x6 SP No.2 *Except* L-M,M-Q: 2x4 SP No.2	BOT CHORD Rigid ceiling directly applied.
WEBS 2x4 SP No.3 *Except* N-O: 2x4 SP No.2	WEBS 1 Row at midpt C-L, E-L, E-J, N-O

WEDGE
Left: 2x4 SP No.3

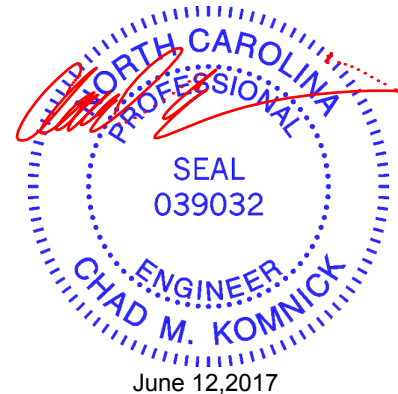
REACTIONS. (lb/size) B=1269/0-5-8, H=1269/0-5-8
Max Horz B=-669(LC 6)
Max Uplift B=-906(LC 8), H=-906(LC 9)

FORCES. (lb) - Max. Comp./Max. Ten. - All forces 250 (lb) or less except when shown.
TOP CHORD B-C=-2998/1977, C-D=-1397/1250, D-E=-1271/1294, E-F=-1452/1442, F-G=-1563/1396, G-H=-1750/1300
BOT CHORD B-M=-1731/2501, L-M=-1336/1884, K-L=-373/959, J-K=-372/959, J-X=-819/1365, X-Y=-819/1365, H-Y=-819/1365
WEBS C-M=-946/1506, C-L=-1180/1261, L-N=-519/540, E-N=-529/579, E-O=-670/737, J-O=-651/690, G-J=-417/773

- NOTES-** (10)
- Unbalanced roof live loads have been considered for this design.
 - Wind: ASCE 7-05; 130mph; TCDL=6.0psf; BCDL=6.0psf; h=25ft; Cat. II; Exp C; enclosed; MWFRS (low-rise) gable end zone and C-C Exterior(2) zone; end vertical left and right exposed; C-C for members and forces & MWFRS for reactions shown; Lumber DOL=1.60 plate grip DOL=1.60
 - This truss has been designed for basic load combinations, which include cases with reductions for multiple concurrent live loads.
 - All plates are MT20 plates unless otherwise indicated.
 - This truss has been designed for a 10.0 psf bottom chord live load nonconcurrent with any other live loads.
 - * This truss has been designed for a live load of 20.0psf on the bottom chord in all areas where a rectangle 3-6-0 tall by 2-0-0 wide will fit between the bottom chord and any other members, with BCDL = 10.0psf.
 - Bearing at joint(s) B considers parallel to grain value using ANSI/TPI 1 angle to grain formula. Building designer should verify capacity of bearing surface.
 - Provide mechanical connection (by others) of truss to bearing plate capable of withstanding 100 lb uplift at joint(s) except (jt=lb) B=906, H=906.
 - This truss design requires that a minimum of 7/16" structural wood sheathing be applied directly to the top chord and 1/2" gypsum sheetrock be applied directly to the bottom chord.
 - This manufactured truss is designed as an individual building component. The suitability and use of this component for any particular building is the responsibility of the building designer per ANSI TPI 1 as referenced by the building code.

LOAD CASE(S) Standard

Continued on page 2



<p>WARNING - Verify design parameters and READ NOTES ON THIS AND INCLUDED MITEK REFERENCE PAGE MII-7473 rev. 10/03/2015 BEFORE USE. Design valid for use only with MiTek® connectors. This design is based only upon parameters shown, and is for an individual building component, not a truss system. Before use, the building designer must verify the applicability of design parameters and properly incorporate this design into the overall building design. Bracing indicated is to prevent buckling of individual truss web and/or chord members only. Additional temporary and permanent bracing is always required for stability and to prevent collapse with possible personal injury and property damage. For general guidance regarding the fabrication, storage, delivery, erection and bracing of trusses and truss systems, see ANSI/TPI1 Quality Criteria, DSB-89 and BCSI Building Component Safety Information available from Truss Plate Institute, 218 N. Lee Street, Suite 312, Alexandria, VA 22314.</p>	<p>ENGINEERING BY TRENCO A MiTek Affiliate</p> <p>818 Soundside Road Edenton, NC 27932</p>
--	--

Job	Truss	Truss Type	Qty	Ply	H&H-NC/Topsail/	I30128616
1110004_OFA	A05	Roof Special	8	1		

Job Reference (optional)

Builders FirstSource, Sumter, SC 29153

7.640 s Sep 29 2015 MiTek Industries, Inc. Mon Jun 12 13:03:25 2017 Page 2
 ID:X87q8Dmm5MnjRaLGAgDs0yzEGbe-Nchfyd?RcOigt3n81Tu5Jw8mBC1eA1ZOhBreuz70YG

LOAD CASE(S) Standard

- 1) Dead + Roof Live (balanced): Lumber Increase=1.15, Plate Increase=1.15
- Uniform Loads (plf)
- Vert: A-E=-60, E-I=-60, M-R=-20, L-M=-20, L-U=-20

WARNING - Verify design parameters and READ NOTES ON THIS AND INCLUDED MITEK REFERENCE PAGE MII-7473 rev. 10/03/2015 BEFORE USE.

Design valid for use only with MiTek® connectors. This design is based only upon parameters shown, and is for an individual building component, not a truss system. Before use, the building designer must verify the applicability of design parameters and properly incorporate this design into the overall building design. Bracing indicated is to prevent buckling of individual truss web and/or chord members only. Additional temporary and permanent bracing is always required for stability and to prevent collapse with possible personal injury and property damage. For general guidance regarding the fabrication, storage, delivery, erection and bracing of trusses and truss systems, see **ANSI/TPI1 Quality Criteria, DSB-89 and BCSI Building Component Safety Information** available from Truss Plate Institute, 218 N. Lee Street, Suite 312, Alexandria, VA 22314.



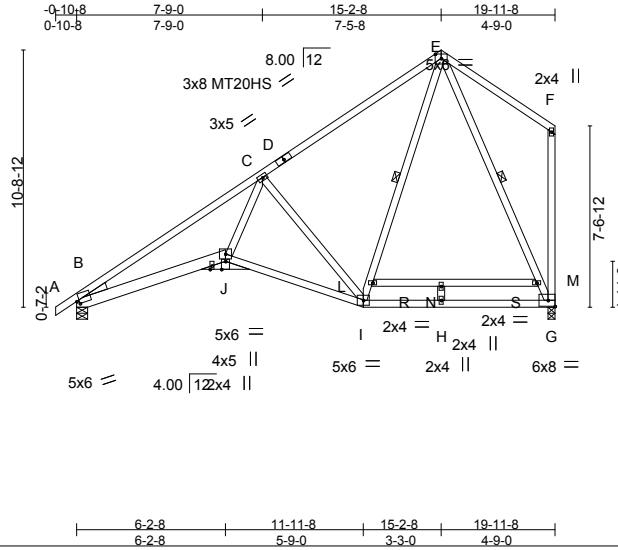
818 Soundside Road
 Edenton, NC 27932

Job 1110004_OFA	Truss A06	Truss Type ROOF SPECIAL	Qty 8	Ply 1	H&H-NC/Topsail/ 130128617
--------------------	--------------	----------------------------	----------	----------	------------------------------

Builders FirstSource, Sumter, SC 29153

7,640 s Sep 29 2015 MiTek Industries, Inc. Mon Jun 12 13:03:26 2017 Page 1

ID:X87q8Dmm5MnjRaLGAgs0yzEGbe-rofKsyedCwWZ11dzil_7eXSM7bbnNZRjdLwPAKz70YF



Scale: 1/8"=1'

Plate Offsets (X,Y)-- [B:0-1-5,0-1-8], [J:0-4-0,Edge]

LOADING (psf)	SPACING-	CSI.	DEFL.	in (loc)	I/defl	L/d	PLATES	GRIP
TCLL 20.0	2-0-12	TC 0.63	Vert(LL)	-0.21	G-H	>999	MT20	244/190
TCDL 10.0	Plate Grip DOL 1.15	BC 0.62	Vert(TL)	-0.35	G-H	>679	MT20HS	187/143
BCLL 0.0 *	Lumber DOL 1.15	WB 0.87	Horz(TL)	-0.09	G	n/a		
BCDL 10.0	Rep Stress Incr NO	(Matrix-M)	Wind(LL)	0.13	J	>999		
	Code IRC2009/TPI2007						Weight: 148 lb	FT = 20%

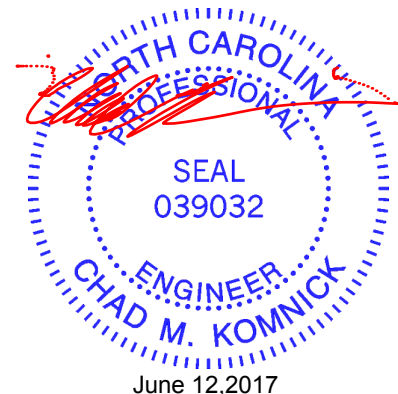
LUMBER-	BRACING-
TOP CHORD 2x4 SP No.1 *Except* E-F: 2x4 SP No.2, A-D: 2x4 SP SS	TOP CHORD Structural wood sheathing directly applied or 4-8-0 oc purlins, except end verticals.
BOT CHORD 2x4 SP No.2 *Except* B-J: 2x6 SP No.2	BOT CHORD Rigid ceiling directly applied or 5-1-9 oc bracing.
WEBS 2x4 SP No.3 *Except* F-G,L-M: 2x4 SP No.2	WEBS 1 Row at midpt E-I, E-G
WEDGE Left: 2x4 SP No.3	

REACTIONS. (lb/size) B=873/0-5-8, G=816/0-3-8
Max Horz B=790(LC 8)
Max Uplift B=-568(LC 8), G=-691(LC 8)
Max Grav B=873(LC 1), G=827(LC 2)

FORCES. (lb) - Max. Comp./Max. Ten. - All forces 250 (lb) or less except when shown.
TOP CHORD B-C=-1817/1416, C-D=-683/547, D-E=-540/593
BOT CHORD B-J=-1748/1487, I-J=-1333/1090, H-I=-296/320, G-H=-296/320
WEBS C-J=-982/963, C-I=-934/1333, I-L=-581/549, E-L=-575/650, E-M=-664/650, G-M=-700/654

- NOTES-** (10)
- 1) Unbalanced roof live loads have been considered for this design.
 - 2) Wind: ASCE 7-05; 130mph; TCDL=6.0psf; BCDL=6.0psf; h=25ft; Cat. II; Exp C; enclosed; MWFRS (low-rise) gable end zone and C-C Exterior(2) zone; end vertical left exposed; C-C for members and forces & MWFRS for reactions shown; Lumber DOL=1.60 plate grip DOL=1.60
 - 3) This truss has been designed for basic load combinations, which include cases with reductions for multiple concurrent live loads.
 - 4) All plates are MT20 plates unless otherwise indicated.
 - 5) This truss has been designed for a 10.0 psf bottom chord live load nonconcurrent with any other live loads.
 - 6) * This truss has been designed for a live load of 20.0psf on the bottom chord in all areas where a rectangle 3-6-0 tall by 2-0-0 wide will fit between the bottom chord and any other members.
 - 7) Bearing at joint(s) B considers parallel to grain value using ANSI/TPI 1 angle to grain formula. Building designer should verify capacity of bearing surface.
 - 8) Provide mechanical connection (by others) of truss to bearing plate capable of withstanding 100 lb uplift at joint(s) except (jt=lb) B=568, G=691.
 - 9) "Semi-rigid pitchbreaks including heels" Member end fixity model was used in the analysis and design of this truss.
 - 10) This manufactured truss is designed as an individual building component. The suitability and use of this component for any particular building is the responsibility of the building designer per ANSI TPI 1 as referenced by the building code.

LOAD CASE(S) Standard
1) Dead + Roof Live (balanced): Lumber Increase=1.15, Plate Increase=1.15
Uniform Loads (plf)
Vert: A-E=-62, E-F=-62, J-O=-21, I-J=-21, G-I=-21



WARNING - Verify design parameters and READ NOTES ON THIS AND INCLUDED MITTEK REFERENCE PAGE MI-7473 rev. 10/03/2015 BEFORE USE.

Design valid for use only with MiTek® connectors. This design is based only upon parameters shown, and is for an individual building component, not a truss system. Before use, the building designer must verify the applicability of design parameters and properly incorporate this design into the overall building design. Bracing indicated is to prevent buckling of individual truss web and/or chord members only. Additional temporary and permanent bracing is always required for stability and to prevent collapse with possible personal injury and property damage. For general guidance regarding the fabrication, storage, delivery, erection and bracing of trusses and truss systems, see ANSITPI1 Quality Criteria, DSB-89 and BCSI Building Component Safety Information available from Truss Plate Institute, 218 N. Lee Street, Suite 312, Alexandria, VA 22314.

ENGINEERING BY
TRENCO
A MiTek Affiliate

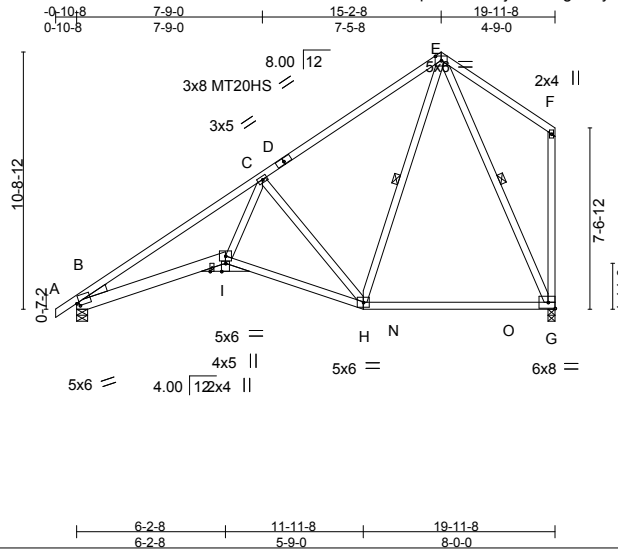
818 Soundside Road
Edenton, NC 27932

Job 1110004_OFA	Truss A07	Truss Type Roof Special	Qty 8	Ply 1	H&H-NC/Topsail/ Job Reference (optional)	130128618
--------------------	--------------	----------------------------	----------	----------	---	-----------

Builders FirstSource, Sumter, SC 29153

7,640 s Sep 29 2015 MiTek Industries, Inc. Mon Jun 12 13:03:26 2017 Page 1

ID:X87q8Dmm5MnjRaLGAgs0yzEGbe-roFKsyedCwWZl1dzil_7eXSizbZ0Na5jdLwPAKz70YF



Scale: 1/8"=1'

Plate Offsets (X,Y)-- [B:0-1-5,0-1-8], [I:0-4-0,Edge]					
LOADING (psf)	SPACING- 2-0-0	CSI.	DEFL. in (loc) l/defl L/d	PLATES	GRIP
TCLL 20.0	Plate Grip DOL 1.15	TC 0.90	Vert(LL) -0.22 G-H >999 360	MT20	244/190
TCDL 10.0	Lumber DOL 1.15	BC 0.73	Vert(TL) -0.42 G-H >562 240	MT20HS	187/143
BCLL 0.0 *	Rep Stress Incr YES	WB 0.83	Horz(TL) -0.09 G n/a n/a		
BCDL 10.0	Code IRC2009/TPI2007	(Matrix-S)	Wind(LL) 0.14 H-I >999 240		
				Weight: 137 lb	FT = 20%

LUMBER-

TOP CHORD 2x4 SP No.2
 BOT CHORD 2x4 SP No.2 *Except*
 B-I: 2x6 SP No.2
 WEBS 2x4 SP No.3 *Except*
 F-G: 2x4 SP No.2

WEDGE
 Left: 2x4 SP No.3

BRACING-

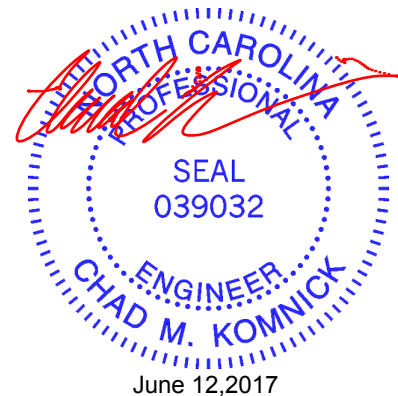
TOP CHORD Structural wood sheathing directly applied, except end verticals.
 BOT CHORD Rigid ceiling directly applied.
 WEBS 1 Row at midpt E-H, E-G

REACTIONS. (lb/size) B=846/0-5-8, G=791/0-3-8
 Max Horz B=766(LC 8)
 Max Uplift B=551(LC 8), G=670(LC 8)
 Max Grav B=846(LC 1), G=805(LC 2)

FORCES. (lb) - Max. Comp./Max. Ten. - All forces 250 (lb) or less except when shown.
 TOP CHORD B-C=-1752/1360, C-D=-664/524, D-E=-530/568
 BOT CHORD B-I=-1682/1431, H-I=-1282/1049, H-N=-263/276, N-O=-263/276, G-O=-263/276
 WEBS C-I=-946/922, C-H=-890/1274, E-H=-542/587, E-G=-651/651

NOTES- (10)

- Unbalanced roof live loads have been considered for this design.
- Wind: ASCE 7-05; 130mph; TCDL=6.0psf; BCDL=6.0psf; h=25ft; Cat. II; Exp C; enclosed; MWFRS (low-rise) gable end zone and C-C Exterior(2) zone; end vertical left exposed; C-C for members and forces & MWFRS for reactions shown; Lumber DOL=1.60 plate grip DOL=1.60
- This truss has been designed for basic load combinations, which include cases with reductions for multiple concurrent live loads.
- All plates are MT20 plates unless otherwise indicated.
- This truss has been designed for a 10.0 psf bottom chord live load nonconcurrent with any other live loads.
- * This truss has been designed for a live load of 20.0psf on the bottom chord in all areas where a rectangle 3-6-0 tall by 2-0-0 wide will fit between the bottom chord and any other members, with BCDL = 10.0psf.
- Bearing at joint(s) B considers parallel to grain value using ANSI/TPI 1 angle to grain formula. Building designer should verify capacity of bearing surface.
- Provide mechanical connection (by others) of truss to bearing plate capable of withstanding 100 lb uplift at joint(s) except (jt=lb) B=551, G=670.
- This truss design requires that a minimum of 7/16" structural wood sheathing be applied directly to the top chord and 1/2" gypsum sheetrock be applied directly to the bottom chord.
- This manufactured truss is designed as an individual building component. The suitability and use of this component for any particular building is the responsibility of the building designer per ANSI TPI 1 as referenced by the building code.



WARNING - Verify design parameters and READ NOTES ON THIS AND INCLUDED MITEK REFERENCE PAGE MII-7473 rev. 10/03/2015 BEFORE USE.

Design valid for use only with MiTek® connectors. This design is based only upon parameters shown, and is for an individual building component, not a truss system. Before use, the building designer must verify the applicability of design parameters and properly incorporate this design into the overall building design. Bracing indicated is to prevent buckling of individual truss web and/or chord members only. Additional temporary and permanent bracing is always required for stability and to prevent collapse with possible personal injury and property damage. For general guidance regarding the fabrication, storage, delivery, erection and bracing of trusses and truss systems, see **ANSI/TPI1 Quality Criteria, DSB-89 and BCSI Building Component Safety Information** available from Truss Plate Institute, 218 N. Lee Street, Suite 312, Alexandria, VA 22314.



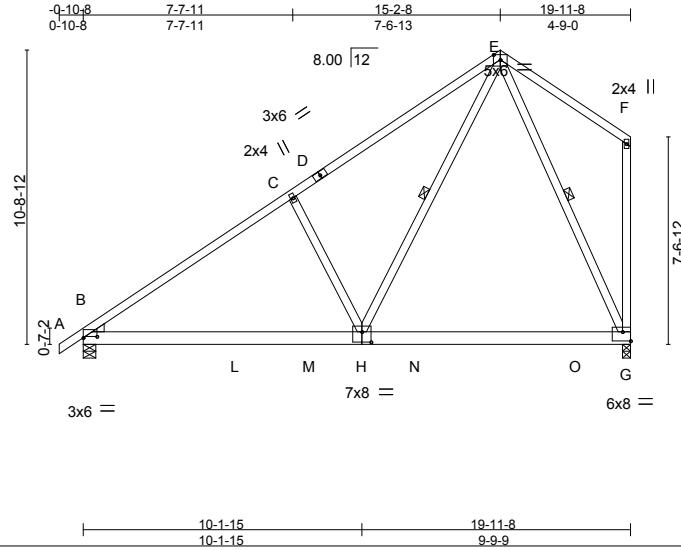
818 Soundside Road
 Edenton, NC 27932

Job 1110004_OFA	Truss A08	Truss Type Common	Qty 23	Ply 1	H&H-NC/Topsail/ 130128619
--------------------	--------------	----------------------	-----------	----------	------------------------------

Builders FirstSource, Sumter, SC 29153

7.640 s Sep 29 2015 MiTek Industries, Inc. Mon Jun 12 13:03:27 2017 Page 1

ID: X87q8Dmm5MnjRaLGAgs0yEGbe-K?pi3leGzDeQvBCAGSVMAk?SR_zm67Lsr?gynz70YE



Scale = 1:84.0

Plate Offsets (X,Y)-- [B:0-6-0-0-0-9], [G:Edge,0-4-0], [H:0-4-0-0-4-8]

LOADING (psf)	SPACING-	2-0-0	CSI.	DEFL.	in (loc)	I/defl	L/d	PLATES	GRIP
TCLL 20.0	Plate Grip DOL	1.15	TC 0.85	Vert(LL)	-0.12	G-H	>999	MT20	244/190
TCDL 10.0	Lumber DOL	1.15	BC 0.51	Vert(TL)	-0.21	G-H	>999		
BCLL 0.0 *	Rep Stress Incr	YES	WB 0.44	Horz(TL)	-0.02	G	n/a		
BCDL 10.0	Code IRC2009/TPI2007		(Matrix-S)	Wind(LL)	0.13	H-K	>999		
								Weight: 136 lb	FT = 20%

LUMBER-

TOP CHORD 2x4 SP No.2
 BOT CHORD 2x6 SP No.2
 WEBS 2x4 SP No.3 *Except*
 F-G: 2x4 SP No.2

BRACING-

TOP CHORD Structural wood sheathing directly applied, except end verticals.
 BOT CHORD Rigid ceiling directly applied.
 WEBS 1 Row at midpt E-H, E-G

WEDGE

Left: 2x4 SP No.3

REACTIONS.

(lb/size) G=791/0-3-8, B=846/0-5-8
 Max Horz B=766(LC 8)
 Max Uplift G=-665(LC 8), B=-556(LC 8)
 Max Grav G=852(LC 2), B=846(LC 1)

FORCES. (lb) - Max. Comp./Max. Ten. - All forces 250 (lb) or less except when shown.

TOP CHORD B-C=-1037/574, C-D=-881/673, D-E=-764/719
 BOT CHORD B-L=-910/790, L-M=-910/790, H-M=-910/790, H-N=-268/282, N-O=-268/282, G-O=-268/282
 WEBS C-H=-422/783, E-H=-673/812, E-G=-653/655

NOTES- (8)

- Unbalanced roof live loads have been considered for this design.
- Wind: ASCE 7-05; 130mph; TCCL=6.0psf; BCCL=6.0psf; h=25ft; Cat. II; Exp C; enclosed; MWFRS (low-rise) gable end zone and C-C Exterior(2) zone; end vertical left exposed; C-C for members and forces & MWFRS for reactions shown; Lumber DOL=1.60 plate grip DOL=1.60
- This truss has been designed for basic load combinations, which include cases with reductions for multiple concurrent live loads.
- This truss has been designed for a 10.0 psf bottom chord live load nonconcurrent with any other live loads.
- * This truss has been designed for a live load of 20.0psf on the bottom chord in all areas where a rectangle 3-6-0 tall by 2-0-0 wide will fit between the bottom chord and any other members, with BCCL = 10.0psf.
- Provide mechanical connection (by others) of truss to bearing plate capable of withstanding 100 lb uplift at joint(s) except (jt=lb) G=665, B=556.
- This truss design requires that a minimum of 7/16" structural wood sheathing be applied directly to the top chord and 1/2" gypsum sheetrock be applied directly to the bottom chord.
- This manufactured truss is designed as an individual building component. The suitability and use of this component for any particular building is the responsibility of the building designer per ANSI TPI 1 as referenced by the building code.



WARNING - Verify design parameters and READ NOTES ON THIS AND INCLUDED MITEK REFERENCE PAGE MII-7473 rev. 10/03/2015 BEFORE USE.

Design valid for use only with MiTek® connectors. This design is based only upon parameters shown, and is for an individual building component, not a truss system. Before use, the building designer must verify the applicability of design parameters and properly incorporate this design into the overall building design. Bracing indicated is to prevent buckling of individual truss web and/or chord members only. Additional temporary and permanent bracing is always required for stability and to prevent collapse with possible personal injury and property damage. For general guidance regarding the fabrication, storage, delivery, erection and bracing of trusses and truss systems, see **ANSI/TPI1 Quality Criteria, DSB-89 and BCSI Building Component Safety Information** available from Truss Plate Institute, 218 N. Lee Street, Suite 312, Alexandria, VA 22314.

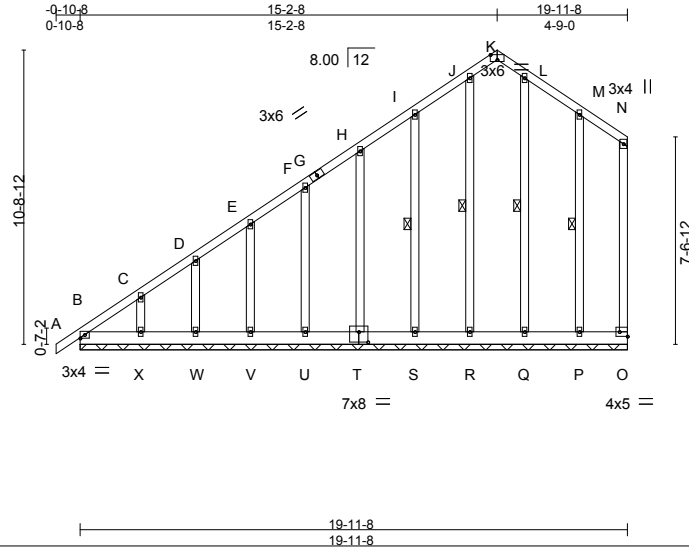


818 Soundside Road
 Edenton, NC 27932

Job 1110004_OFA	Truss A09	Truss Type GABLE	Qty 3	Ply 1	H&H-NC/Topsail/ Job Reference (optional)	130128620
--------------------	--------------	---------------------	----------	----------	---	-----------

Builders FirstSource, Sumter, SC 29153

7.640 s Sep 29 2015 MiTek Industries, Inc. Mon Jun 12 13:03:28 2017 Page 1
ID:X87q8Dmm5MnjRaLGAgDs0yzEGbe-oBN4HefukXmHXLnMpA0bjyYfwOOzre874fPVFDz70YD



Scale = 1:84.0

Plate Offsets (X,Y)-- [K:0-3-0,Edge], [O:Edge,0-2-0], [T:0-4-0,0-4-8]		19-11-8 19-11-8			
LOADING (psf)	SPACING-	CSI.	DEFL. in (loc) l/defl L/d	PLATES	GRIP
TCLL 20.0	2-0-0	TC 0.74	Vert(LL) -0.00 A n/r 120	MT20	244/190
TCDL 10.0	Plate Grip DOL 1.15	BC 0.19	Vert(TL) -0.00 A n/r 120		
BCLL 0.0 *	Lumber DOL 1.15	WB 0.15	Horz(TL) 0.00 O n/a n/a		
BCDL 10.0	Rep Stress Incr YES	(Matrix)			
	Code IRC2009/TPI2007			Weight: 176 lb	FT = 20%

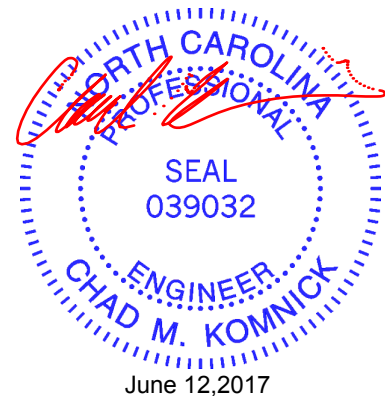
LUMBER-
TOP CHORD 2x4 SP No.2
BOT CHORD 2x6 SP No.2
WEBS 2x4 SP No.2
OTHERS 2x4 SP No.3

BRACING-
TOP CHORD Structural wood sheathing directly applied or 6-0-0 oc purlins, except end verticals.
BOT CHORD Rigid ceiling directly applied or 6-0-0 oc bracing.
WEBS 1 Row at midpt J-R, I-S, L-Q, M-P

REACTIONS. All bearings 19-11-8.
(lb) - Max Horz B=942(LC 7)
Max Uplift All uplift 100 lb or less at joint(s) except O=-120(LC 9), B=-327(LC 6), R=-230(LC 7), S=-259(LC 8), T=-195(LC 8), U=-205(LC 8), V=-203(LC 8), W=-200(LC 8), X=-257(LC 8), Q=-105(LC 7), P=-318(LC 9)
Max Grav All reactions 250 lb or less at joint(s) O, S, T, U, V, W, X, Q, P except B=482(LC 7), R=339(LC 6)

FORCES. (lb) - Max. Comp./Max. Ten. - All forces 250 (lb) or less except when shown.
TOP CHORD B-C=-907/556, C-D=-768/519, D-E=-676/507, E-F=-583/496, F-G=-490/472, G-H=-483/484, H-I=-394/466, I-J=-313/535, J-K=-155/428, K-L=-139/431, L-M=-208/526, M-N=-216/424, N-O=-171/350
BOT CHORD B-X=-160/283, W-X=-160/283, V-W=-160/283, U-V=-160/283, T-U=-160/283, S-T=-162/281, R-S=-162/281, Q-R=-162/281, P-Q=-162/281, O-P=-162/281
WEBS J-R=-324/261, I-S=-122/298, C-X=-127/285, M-P=-118/298

- NOTES-** (12)
- 1) Unbalanced roof live loads have been considered for this design.
 - 2) Wind: ASCE 7-05; 130mph; TCDL=6.0psf; BCDL=6.0psf; h=25ft; Cat. II; Exp C; enclosed; MWFRS (low-rise) gable end zone and C-C Exterior(2) zone; end vertical left and right exposed; C-C for members and forces & MWFRS for reactions shown; Lumber DOL=1.60 plate grip DOL=1.60
 - 3) Truss designed for wind loads in the plane of the truss only. For studs exposed to wind (normal to the face), see Standard Industry Gable End Details as applicable, or consult qualified building designer as per ANSI/TPI 1.
 - 4) This truss has been designed for basic load combinations, which include cases with reductions for multiple concurrent live loads.
 - 5) All plates are 2x4 MT20 unless otherwise indicated.
 - 6) Gable requires continuous bottom chord bearing.
 - 7) Gable studs spaced at 2-0-0 oc.
 - 8) This truss has been designed for a 10.0 psf bottom chord live load nonconcurrent with any other live loads.
 - 9) * This truss has been designed for a live load of 20.0psf on the bottom chord in all areas where a rectangle 3-6-0 tall by 2-0-0 wide will fit between the bottom chord and any other members.
 - 10) Provide mechanical connection (by others) of truss to bearing plate capable of withstanding 120 lb uplift at joint O, 327 lb uplift at joint B, 230 lb uplift at joint R, 259 lb uplift at joint S, 195 lb uplift at joint T, 205 lb uplift at joint U, 203 lb uplift at joint V, 200 lb uplift at joint W, 257 lb uplift at joint X, 105 lb uplift at joint Q and 318 lb uplift at joint P.
 - 11) "Semi-rigid pitchbreaks including heels" Member end fixity model was used in the analysis and design of this truss.
 - 12) This manufactured truss is designed as an individual building component. The suitability and use of this component for any particular building is the responsibility of the building designer per ANSI TPI 1 as referenced by the building code.



WARNING - Verify design parameters and READ NOTES ON THIS AND INCLUDED MITEK REFERENCE PAGE MII-7473 rev. 10/03/2015 BEFORE USE.

Design valid for use only with MiTek® connectors. This design is based only upon parameters shown, and is for an individual building component, not a truss system. Before use, the building designer must verify the applicability of design parameters and properly incorporate this design into the overall building design. Bracing indicated is to prevent buckling of individual truss web and/or chord members only. Additional temporary and permanent bracing is always required for stability and to prevent collapse with possible personal injury and property damage. For general guidance regarding the fabrication, storage, delivery, erection and bracing of trusses and truss systems, see ANSITPI1 Quality Criteria, DSB-89 and BCSI Building Component Safety Information available from Truss Plate Institute, 218 N. Lee Street, Suite 312, Alexandria, VA 22314.

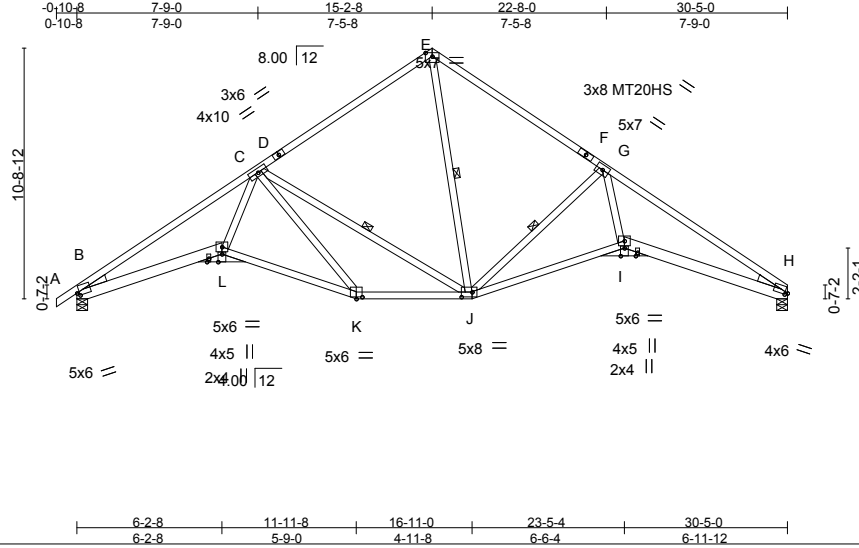


818 Soundside Road
Edenton, NC 27932

Job 1110004_OFA	Truss A10	Truss Type ROOF SPECIAL	Qty 5	Ply 1	H&H-NC/Topsail/ Job Reference (optional)	130128621
--------------------	--------------	----------------------------	----------	----------	---	-----------

Builders FirstSource, Sumter, SC 29153

7,640 s Sep 29 2015 MiTek Industries, Inc. Mon Jun 12 13:03:29 2017 Page 1
ID:X87q8Dmm5MnjRaLGAgs0yzEGbe-GNwSUzgvWVru89VMYnIXqF94nDoaxazf9Jl93nfz70YC



Scale = 1:98.6

Plate Offsets (X,Y)-- [B:0-1-5-0-1-8], [H:0-1-5-0-1-0], [I:0-4-0,Edge], [J:0-5-8-0-2-8], [K:0-3-0-0-1-0], [L:0-4-0,Edge]					
LOADING (psf)	SPACING- 2-0-0	CSI.	DEFL. in (loc) l/defl L/d	PLATES	GRIP
TCLL 20.0	Plate Grip DOL 1.15	TC 0.96	Vert(LL) -0.18 I-J >999 360	MT20	244/190
TCDL 10.0	Lumber DOL 1.15	BC 0.78	Vert(TL) -0.53 I-J >686 240	MT20HS	187/143
BCLL 0.0 *	Rep Stress Incr YES	WB 0.65	Horz(TL) 0.35 H n/a n/a		
BCDL 10.0	Code IRC2009/TPI2007	(Matrix-S)	Wind(LL) 0.32 I-J >999 240		
				Weight: 187 lb	FT = 20%

LUMBER-

TOP CHORD 2x4 SP No.2
 BOT CHORD 2x4 SP No.2 *Except*
 B-L,H-I: 2x6 SP No.2
 WEBS 2x4 SP No.3
 WEDGE
 Left: 2x4 SP No.3, Right: 2x4 SP No.3

BRACING-

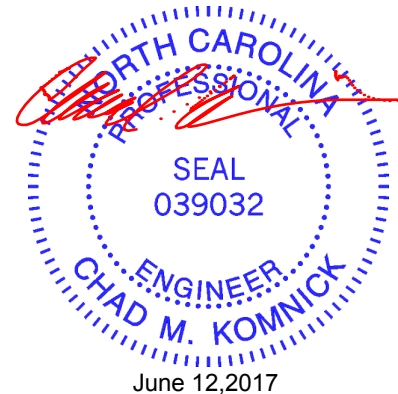
TOP CHORD Structural wood sheathing directly applied.
 BOT CHORD Rigid ceiling directly applied.
 WEBS 1 Row at midpt C-J, E-J, G-J

REACTIONS. (lb/size) B=1270/0-5-8, H=1216/0-5-8
 Max Horz B=689(LC 7)
 Max Uplift B=906(LC 8), H=808(LC 9)

FORCES. (lb) - Max. Comp./Max. Ten. - All forces 250 (lb) or less except when shown.
 TOP CHORD B-C=-3008/2031, C-D=-1155/1008, D-E=-1029/1053, E-F=-1182/1200, F-G=-1306/1156,
 G-H=-3024/2038
 BOT CHORD B-L=-1794/2510, K-L=-1401/1915, J-K=-922/1419, I-J=-1337/2152, H-I=-1543/2525
 WEBS C-L=-979/1518, C-K=-621/638, C-J=-674/727, E-J=-736/790, G-J=-1447/1272,
 G-I=-827/1561

NOTES- (10)

- Unbalanced roof live loads have been considered for this design.
- Wind: ASCE 7-05; 130mph; TCDL=6.0psf; BCDL=6.0psf; h=25ft; Cat. II; Exp C; enclosed; MWFRS (low-rise) gable end zone and C-C Exterior(2) zone; end vertical left and right exposed; C-C for members and forces & MWFRS for reactions shown; Lumber DOL=1.60 plate grip DOL=1.60
- This truss has been designed for basic load combinations, which include cases with reductions for multiple concurrent live loads.
- All plates are MT20 plates unless otherwise indicated.
- This truss has been designed for a 10.0 psf bottom chord live load nonconcurrent with any other live loads.
- * This truss has been designed for a live load of 20.0psf on the bottom chord in all areas where a rectangle 3-6-0 tall by 2-0-0 wide will fit between the bottom chord and any other members.
- Bearing at joint(s) B, H considers parallel to grain value using ANSI/TPI 1 angle to grain formula. Building designer should verify capacity of bearing surface.
- Provide mechanical connection (by others) of truss to bearing plate capable of withstanding 906 lb uplift at joint B and 808 lb uplift at joint H.
- This truss design requires that a minimum of 7/16" structural wood sheathing be applied directly to the top chord and 1/2" gypsum sheetrock be applied directly to the bottom chord.
- This manufactured truss is designed as an individual building component. The suitability and use of this component for any particular building is the responsibility of the building designer per ANSI TPI 1 as referenced by the building code.



June 12, 2017

WARNING - Verify design parameters and READ NOTES ON THIS AND INCLUDED MITTEK REFERENCE PAGE MII-7473 rev. 10/03/2015 BEFORE USE.

Design valid for use only with MiTek® connectors. This design is based only upon parameters shown, and is for an individual building component, not a truss system. Before use, the building designer must verify the applicability of design parameters and properly incorporate this design into the overall building design. Bracing indicated is to prevent buckling of individual truss web and/or chord members only. Additional temporary and permanent bracing is always required for stability and to prevent collapse with possible personal injury and property damage. For general guidance regarding the fabrication, storage, delivery, erection and bracing of trusses and truss systems, see ANSI/TPI1 Quality Criteria, DSB-89 and BCSI Building Component Safety Information available from Truss Plate Institute, 218 N. Lee Street, Suite 312, Alexandria, VA 22314.



818 Soundside Road
 Edenton, NC 27932

Job	Truss	Truss Type	Qty	Ply	H&H-NC/Topsail/	130128623
1110004_OFA	A12	Hip	1	1		

Builders FirstSource,

Sumter, SC 29153

7.640 s Sep 29 2015 MiTek Industries, Inc. Mon Jun 12 13:03:31 2017 Page 1

ID:X87q8Dmm5MnjRaLGAGDs0yzEGbe-Cm2Dvfhm0S8rOoWxVlaLaA8lcGt2rxSmceAsYz70YA

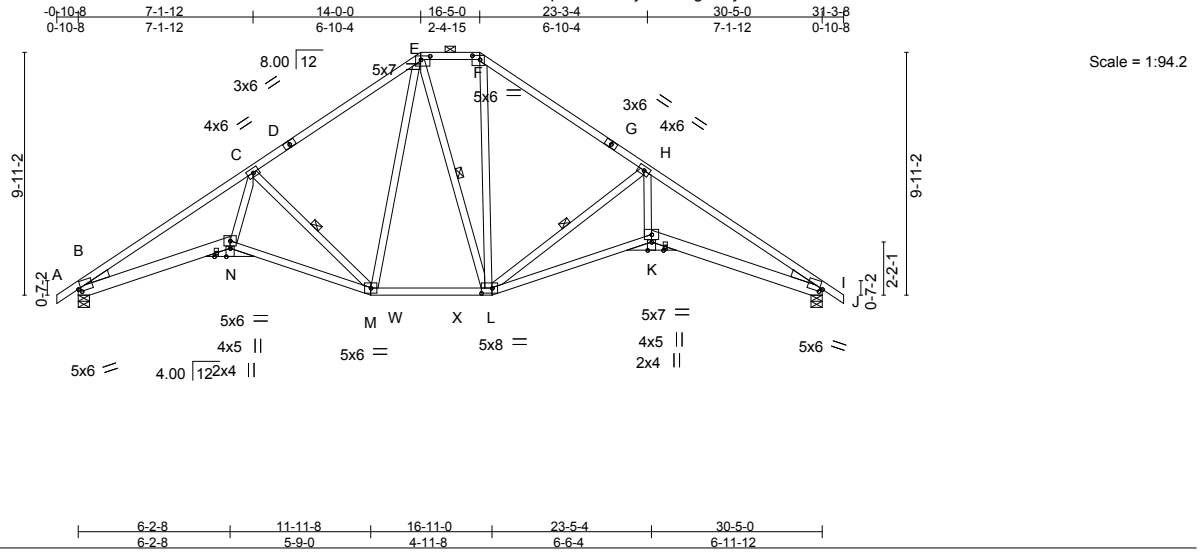


Plate Offsets (X,Y)--	[B:0-1-5,0-1-8], [E:0-4-8,0-1-12], [F:0-3-12,0-2-0], [I:0-1-5,0-1-8], [K:0-4-0,Edge], [L:0-5-4,0-2-8], [N:0-4-0,Edge]
-----------------------	---

LOADING (psf)	SPACING-	2-0-0	CSI.	DEFL.	in (loc)	I/defl	L/d	PLATES	GRIP
TCLL 20.0	Plate Grip DOL	1.15	TC 0.86	Vert(LL)	-0.20	K-L >999	360	MT20	244/190
TCDL 10.0	Lumber DOL	1.15	BC 0.82	Vert(TL)	-0.56	K-L >655	240		
BCLL 0.0 *	Rep Stress Incr	YES	WB 0.79	Horz(TL)	0.38	I n/a	n/a		
BCDL 10.0	Code IRC2009/TPI2007		(Matrix-S)	Wind(LL)	0.33	K-L >999	240	Weight: 199 lb	FT = 20%

LUMBER-

TOP CHORD 2x4 SP No.2
 BOT CHORD 2x4 SP No.2 *Except*
 B-N,I-K: 2x6 SP No.2
 WEBS 2x4 SP No.3
 WEDGE
 Left: 2x4 SP No.3, Right: 2x4 SP No.3

BRACING-

TOP CHORD Structural wood sheathing directly applied, except 2-0-0 oc purlins (5-5-8 max.): E-F.
 BOT CHORD Rigid ceiling directly applied.
 WEBS 1 Row at midpt C-M, E-L, H-L

REACTIONS. (lb/size) B=1269/0-5-8, I=1269/0-5-8
 Max Horz B=-618(LC 6)
 Max Uplift B=-896(LC 8), I=-896(LC 9)

FORCES. (lb) - Max. Comp./Max. Ten. - All forces 250 (lb) or less except when shown.
 TOP CHORD B-C=-3019/2035, C-D=-1390/1222, D-E=-1270/1264, E-F=-972/1117, F-G=-1196/1181,
 G-H=-1313/1139, H-I=-3036/2059
 BOT CHORD B-N=-1712/2524, M-N=-1440/2088, M-W=-380/965, W-X=-380/965, L-X=-380/965,
 K-L=-1490/2464, I-K=-1532/2542
 WEBS C-N=-921/1517, C-M=-1328/1301, E-M=-441/436, E-L=-399/420, F-L=-361/402,
 H-L=-1701/1377, H-K=-833/1611

NOTES- (11)

- 1) Unbalanced roof live loads have been considered for this design.
- 2) Wind: ASCE 7-05; 130mph; TCDL=6.0psf; BCDL=6.0psf; h=25ft; Cat. II; Exp C; enclosed; MWFRS (low-rise) gable end zone and C-C Exterior(2) zone; end vertical left and right exposed; C-C for members and forces & MWFRS for reactions shown; Lumber DOL=1.60 plate grip DOL=1.60
- 3) This truss has been designed for basic load combinations, which include cases with reductions for multiple concurrent live loads.
- 4) Provide adequate drainage to prevent water ponding.
- 5) This truss has been designed for a 10.0 psf bottom chord live load nonconcurrent with any other live loads.
- 6) * This truss has been designed for a live load of 20.0psf on the bottom chord in all areas where a rectangle 3-6-0 tall by 2-0-0 wide will fit between the bottom chord and any other members, with BCDL = 10.0psf.
- 7) Bearing at joint(s) B, I considers parallel to grain value using ANSI/TPI 1 angle to grain formula. Building designer should verify capacity of bearing surface.
- 8) Provide mechanical connection (by others) of truss to bearing plate capable of withstanding 100 lb uplift at joint(s) except (jt=lb) B=896, I=896.
- 9) This truss design requires that a minimum of 7/16" structural wood sheathing be applied directly to the top chord and 1/2" gypsum sheetrock be applied directly to the bottom chord.
- 10) Graphical purlin representation does not depict the size or the orientation of the purlin along the top and/or bottom chord.
- 11) This manufactured truss is designed as an individual building component. The suitability and use of this component for any particular building is the responsibility of the building designer per ANSI TPI 1 as referenced by the building code.



WARNING - Verify design parameters and READ NOTES ON THIS AND INCLUDED MITEK REFERENCE PAGE MI-7473 rev. 10/03/2015 BEFORE USE.

Design valid for use only with MiTek® connectors. This design is based only upon parameters shown, and is for an individual building component, not a truss system. Before use, the building designer must verify the applicability of design parameters and properly incorporate this design into the overall building design. Bracing indicated is to prevent buckling of individual truss web and/or chord members only. Additional temporary and permanent bracing is always required for stability and to prevent collapse with possible personal injury and property damage. For general guidance regarding the fabrication, storage, delivery, erection and bracing of trusses and truss systems, see ANSI/TPI Quality Criteria, DSB-89 and BCSI Building Component Safety Information available from Truss Plate Institute, 218 N. Lee Street, Suite 312, Alexandria, VA 22314.

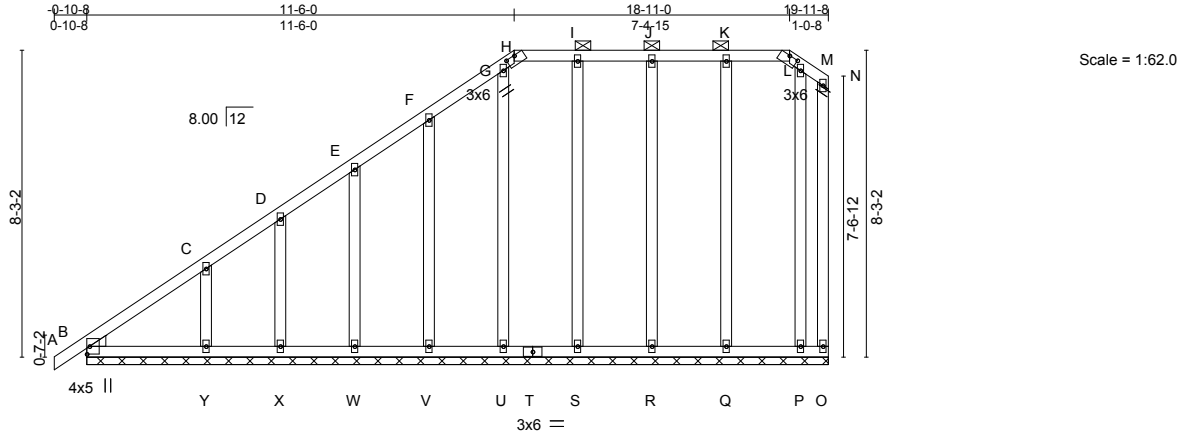


818 Soundside Road
 Edenton, NC 27932

Job 1110004_OFA	Truss A13	Truss Type GABLE	Qty 1	Ply 1	H&H-NC/Topsail/ Job Reference (optional)	130128624
--------------------	--------------	---------------------	----------	----------	---	-----------

Builders FirstSource, Sumter, SC 29153

7.640 s Sep 29 2015 MiTek Industries, Inc. Mon Jun 12 13:03:32 2017 Page 1
ID:X87q8Dmm5MnjRaLGAgDs0yzEGbe-gycb7?iOnmGi0y572?5XtoiUI?mnmS2b?GNjO_z70Y9



LOADING (psf)		SPACING-		CSI.		DEFL.				PLATES		GRIP	
TCLL	20.0	Plate Grip DOL	1.15	TC	0.14	Vert(LL)	-0.00	A	n/r	120	MT20	244/190	
TCDL	10.0	Lumber DOL	1.15	BC	0.07	Vert(TL)	0.00	A	n/r	120			
BCLL	0.0 *	Rep Stress Incr	YES	WB	0.16	Horz(TL)	-0.00	O	n/a	n/a	Weight: 158 lb FT = 20%		
BCDL	10.0	Code	IRC2009/TPI2007	(Matrix)									

LUMBER-
TOP CHORD 2x4 SP No.2
BOT CHORD 2x4 SP No.2
WEBS 2x4 SP No.3
OTHERS 2x4 SP No.3
WEDGE
Left: 2x4 SP No.2

BRACING-
TOP CHORD Structural wood sheathing directly applied or 6-0-0 oc purlins, except end verticals, and 2-0-0 oc purlins (6-0-0 max.): H-L.
BOT CHORD Rigid ceiling directly applied or 10-0-0 oc bracing.

REACTIONS. All bearings 19-11-8.
(lb) - Max Horz B=692(LC 8)
Max Uplift All uplift 100 lb or less at joint(s) O, B, P except R=-158(LC 6), S=-160(LC 7), U=-134(LC 7), V=-212(LC 8), W=-211(LC 8), X=-162(LC 8), Y=-365(LC 8), Q=-162(LC 7)
Max Grav All reactions 250 lb or less at joint(s) O, B, R, S, U, V, W, X, Y, Q, P

FORCES. (lb) - Max. Comp./Max. Ten. - All forces 250 (lb) or less except when shown.
TOP CHORD B-C=-699/124, C-D=-454/89, D-E=-336/83
WEBS C-Y=-177/382

- NOTES-** (14)
- Unbalanced roof live loads have been considered for this design.
 - Wind: ASCE 7-05; 130mph; TCDL=6.0psf; BCDL=6.0psf; h=25ft; Cat. II; Exp C; enclosed; MWFRS (low-rise) gable end zone and C-C Exterior(2) zone; end vertical left exposed; C-C for members and forces & MWFRS for reactions shown; Lumber DOL=1.60 plate grip DOL=1.60
 - Truss designed for wind loads in the plane of the truss only. For studs exposed to wind (normal to the face), see Standard Industry Gable End Details as applicable, or consult qualified building designer as per ANSI/TPI 1.
 - This truss has been designed for basic load combinations, which include cases with reductions for multiple concurrent live loads.
 - Provide adequate drainage to prevent water ponding.
 - All plates are 2x4 MT20 unless otherwise indicated.
 - Gable requires continuous bottom chord bearing.
 - Gable studs spaced at 2-0-0 oc.
 - This truss has been designed for a 10.0 psf bottom chord live load nonconcurrent with any other live loads.
 - * This truss has been designed for a live load of 20.0psf on the bottom chord in all areas where a rectangle 3-6-0 tall by 2-0-0 wide will fit between the bottom chord and any other members.
 - Provide mechanical connection (by others) of truss to bearing plate capable of withstanding 100 lb uplift at joint(s) O, B, P except (jt=lb) R=158, S=160, U=134, V=212, W=211, X=162, Y=365, Q=162.
 - "Semi-rigid pitchbreaks including heels" Member end fixity model was used in the analysis and design of this truss.
 - Graphical purlin representation does not depict the size or the orientation of the purlin along the top and/or bottom chord.
 - This manufactured truss is designed as an individual building component. The suitability and use of this component for any particular building is the responsibility of the building designer per ANSI TPI 1 as referenced by the building code.

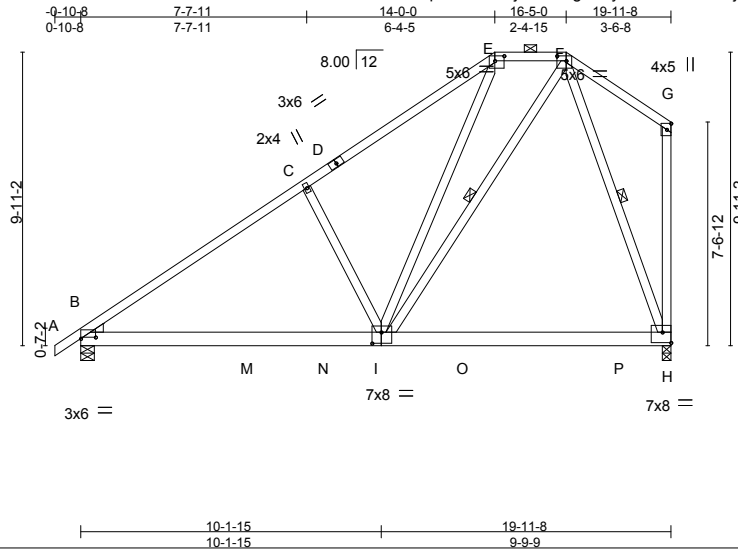


Job	Truss	Truss Type	Qty	Ply	H&H-NC/Topsail/	130128625
1110004_OFA	A14	Hip	1	1		

Builders FirstSource, Sumter, SC 29153

7.640 s Sep 29 2015 MiTek Industries, Inc. Mon Jun 12 13:03:33 2017 Page 1

ID:X87q8Dmm5MnjRaLGAgs0yzEGbe-89AzKLj0Y3OZd6gKcjmQ?FWcP0GWsykEw7GwQz70Y8



Scale = 1:77.9

Plate Offsets (X,Y)-- [B:0-6-0-0-0-9], [E:0-3-12-0-2-0], [F:0-3-12-0-2-0], [H:Edge,0-4-4], [I:0-3-12-0-4-8]					
LOADING (psf)	SPACING- 2-0-0	CSI.	DEFL. in (loc) l/defl L/d	PLATES	GRIP
TCLL 20.0	Plate Grip DOL 1.15	TC 0.74	Vert(LL) -0.11 H-I >999 360	MT20	244/190
TCDL 10.0	Lumber DOL 1.15	BC 0.50	Vert(TL) -0.19 H-I >999 240		
BCLL 0.0 *	Rep Stress Incr YES	WB 0.37	Horz(TL) -0.02 H n/a n/a		
BCDL 10.0	Code IRC2009/TPI2007	(Matrix-S)	Wind(LL) 0.13 I-L >999 240		
				Weight: 148 lb	FT = 20%

LUMBER-

TOP CHORD 2x4 SP No.2
 BOT CHORD 2x6 SP No.2
 WEBS 2x4 SP No.3 *Except*
 G-H: 2x4 SP No.2

WEDGE
 Left: 2x4 SP No.3

BRACING-

TOP CHORD Structural wood sheathing directly applied, except end verticals, and 2-0-0 oc purlins (6-0-0 max.): E-F.
 BOT CHORD Rigid ceiling directly applied.
 WEBS 1 Row at midpt F-I, F-H

REACTIONS. (lb/size) B=846/0-5-8, H=791/0-3-8
 Max Horz B=889(LC 7)
 Max Uplift B=616(LC 8), H=573(LC 8)
 Max Grav B=846(LC 1), H=846(LC 2)

FORCES. (lb) - Max. Comp./Max. Ten. - All forces 250 (lb) or less except when shown.
 TOP CHORD B-C=-1017/752, C-D=-857/842, D-E=-754/882, E-F=-544/815, F-G=-227/485,
 G-H=-180/425
 BOT CHORD B-M=-1056/770, M-N=-1056/770, I-N=-1056/770, I-O=-432/297, O-P=-432/297,
 H-P=-432/297
 WEBS C-I=-387/720, E-I=-144/260, F-I=-583/599, F-H=-646/800

NOTES- (10)

- 1) Unbalanced roof live loads have been considered for this design.
- 2) Wind: ASCE 7-05; 130mph; TCDL=6.0psf; BCDL=6.0psf; h=25ft; Cat. II; Exp C; enclosed; MWFRS (low-rise) gable end zone and C-C Exterior(2) zone; end vertical left and right exposed; C-C for members and forces & MWFRS for reactions shown; Lumber DOL=1.60 plate grip DOL=1.60
- 3) This truss has been designed for basic load combinations, which include cases with reductions for multiple concurrent live loads.
- 4) Provide adequate drainage to prevent water ponding.
- 5) This truss has been designed for a 10.0 psf bottom chord live load nonconcurrent with any other live loads.
- 6) * This truss has been designed for a live load of 20.0psf on the bottom chord in all areas where a rectangle 3-6-0 tall by 2-0-0 wide will fit between the bottom chord and any other members, with BCDL = 10.0psf.
- 7) Provide mechanical connection (by others) of truss to bearing plate capable of withstanding 100 lb uplift at joint(s) except (jt=lb) B=616, H=573.
- 8) This truss design requires that a minimum of 7/16" structural wood sheathing be applied directly to the top chord and 1/2" gypsum sheetrock be applied directly to the bottom chord.
- 9) Graphical purlin representation does not depict the size or the orientation of the purlin along the top and/or bottom chord.
- 10) This manufactured truss is designed as an individual building component. The suitability and use of this component for any particular building is the responsibility of the building designer per ANSI TPI 1 as referenced by the building code.



June 12, 2017

WARNING - Verify design parameters and READ NOTES ON THIS AND INCLUDED MITEK REFERENCE PAGE MII-7473 rev. 10/03/2015 BEFORE USE.

Design valid for use only with MiTek® connectors. This design is based only upon parameters shown, and is for an individual building component, not a truss system. Before use, the building designer must verify the applicability of design parameters and properly incorporate this design into the overall building design. Bracing indicated is to prevent buckling of individual truss web and/or chord members only. Additional temporary and permanent bracing is always required for stability and to prevent collapse with possible personal injury and property damage. For general guidance regarding the fabrication, storage, delivery, erection and bracing of trusses and truss systems, see **ANSI/TPI1 Quality Criteria, DSB-89 and BCSI Building Component Safety Information** available from Truss Plate Institute, 218 N. Lee Street, Suite 312, Alexandria, VA 22314.



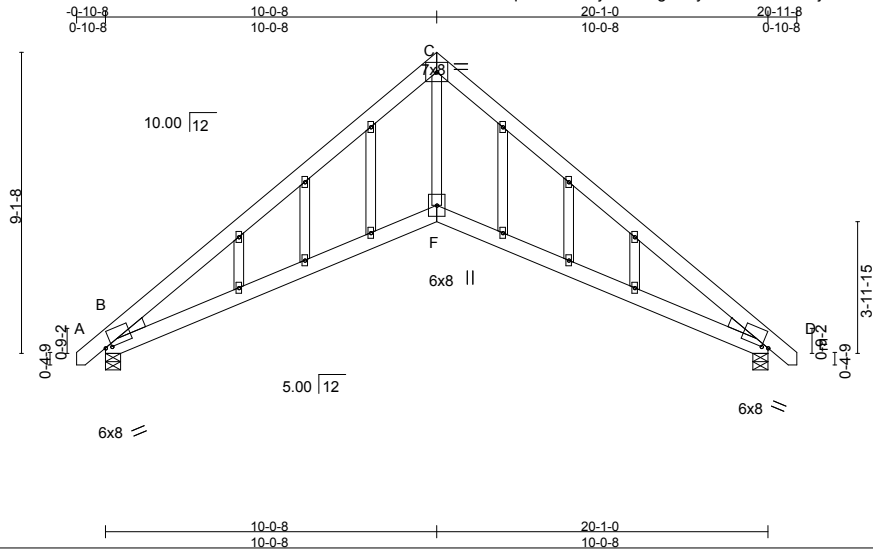
818 Soundside Road
 Edenton, NC 27932

Job	Truss	Truss Type	Qty	Ply	H&H-NC/Topsail/	130128626
1110004_OFA	B01	GABLE	3	1		

Builders FirstSource, Sumter, SC 29153

7.640 s Sep 29 2015 MiTek Industries, Inc. Mon Jun 12 13:03:33 2017 Page 1

ID:X87q8Dmm5MnjRaLGAgs0yzEGbe-89AzKLj0Y3Ozd6gKcjmQ?FXCPz_WrxkEw7GwQz70Y8



Scale = 1:69.8

LOADING (psf)		SPACING-		CSI.		DEFL.		PLATES		GRIP	
TCLL	20.0	Plate Grip DOL	1.15	TC	0.70	Vert(LL)	-0.07 F-X >999 360	MT20		244/190	
TCDL	10.0	Lumber DOL	1.15	BC	0.65	Vert(TL)	-0.20 F-X >999 240				
BCLL	0.0 *	Rep Stress Incr	YES	WB	0.44	Horz(TL)	0.12 D n/a n/a				
BCDL	10.0	Code	IRC2009/TPI2007	(Matrix-S)		Wind(LL)	0.21 F-U >999 240				
								Weight:	151 lb	FT =	20%

LUMBER-

TOP CHORD 2x6 SP No.2
 BOT CHORD 2x6 SP No.2
 WEBS 2x4 SP No.3
 OTHERS 2x4 SP No.3

WEDGE

Left: 2x4 SP No.3, Right: 2x4 SP No.3

BRACING-

TOP CHORD Structural wood sheathing directly applied.
 BOT CHORD Rigid ceiling directly applied.

REACTIONS.

(lb/size) B=848/0-5-8, D=848/0-5-8
 Max Horz B=554(LC 7)
 Max Uplift B=-597(LC 8), D=-597(LC 9)

FORCES. (lb) - Max. Comp./Max. Ten. - All forces 250 (lb) or less except when shown.

TOP CHORD B-C=-1471/735, C-D=-1471/826
 BOT CHORD B-F=-415/1118, D-F=-404/1118
 WEBS C-F=-287/1055

NOTES- (12)

- 1) Unbalanced roof live loads have been considered for this design.
- 2) Wind: ASCE 7-05; 130mph; TCDL=6.0psf; BCDL=6.0psf; h=25ft; Cat. II; Exp C; enclosed; MWFRS (low-rise) gable end zone and C-C Exterior(2) zone; end vertical left and right exposed; C-C for members and forces & MWFRS for reactions shown; Lumber DOL=1.60 plate grip DOL=1.60
- 3) Truss designed for wind loads in the plane of the truss only. For studs exposed to wind (normal to the face), see Standard Industry Gable End Details as applicable, or consult qualified building designer as per ANSI/TPI 1.
- 4) This truss has been designed for basic load combinations, which include cases with reductions for multiple concurrent live loads.
- 5) All plates are 2x4 MT20 unless otherwise indicated.
- 6) Gable studs spaced at 2-0-0 oc.
- 7) This truss has been designed for a 10.0 psf bottom chord live load nonconcurrent with any other live loads.
- 8) * This truss has been designed for a live load of 20.0psf on the bottom chord in all areas where a rectangle 3-6-0 tall by 2-0-0 wide will fit between the bottom chord and any other members.
- 9) Bearing at joint(s) B, D considers parallel to grain value using ANSI/TPI 1 angle to grain formula. Building designer should verify capacity of bearing surface.
- 10) Provide mechanical connection (by others) of truss to bearing plate capable of withstanding 100 lb uplift at joint(s) except (jt=lb) B=597, D=597.
- 11) This truss design requires that a minimum of 7/16" structural wood sheathing be applied directly to the top chord and 1/2" gypsum sheetrock be applied directly to the bottom chord.
- 12) This manufactured truss is designed as an individual building component. The suitability and use of this component for any particular building is the responsibility of the building designer per ANSI TPI 1 as referenced by the building code.



WARNING - Verify design parameters and READ NOTES ON THIS AND INCLUDED MITTEK REFERENCE PAGE MII-7473 rev. 10/03/2015 BEFORE USE.

Design valid for use only with MiTek® connectors. This design is based only upon parameters shown, and is for an individual building component, not a truss system. Before use, the building designer must verify the applicability of design parameters and properly incorporate this design into the overall building design. Bracing indicated is to prevent buckling of individual truss web and/or chord members only. Additional temporary and permanent bracing is always required for stability and to prevent collapse with possible personal injury and property damage. For general guidance regarding the fabrication, storage, delivery, erection and bracing of trusses and truss systems, see **ANSI/TPI1 Quality Criteria, DSB-89 and BCSI Building Component Safety Information** available from Truss Plate Institute, 218 N. Lee Street, Suite 312, Alexandria, VA 22314.

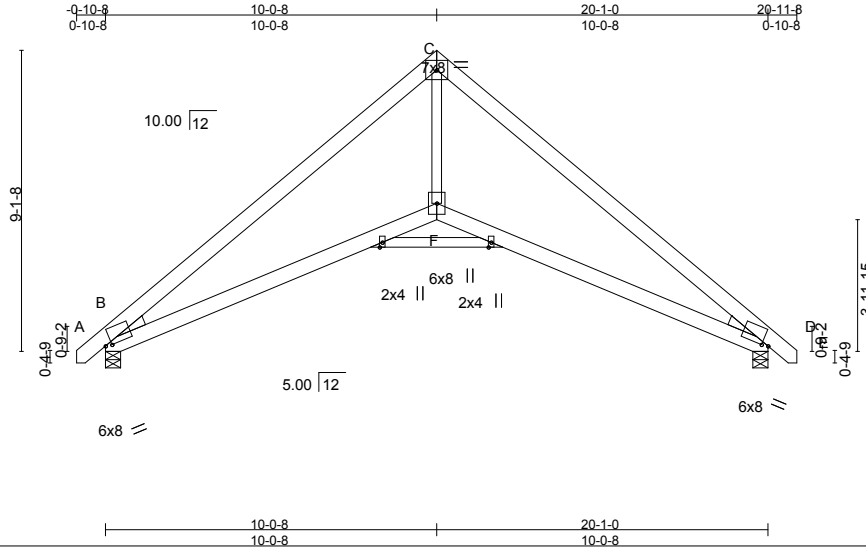


818 Soundside Road
 Edenton, NC 27932

Job 1110004_OFA	Truss B02	Truss Type SCISSORS	Qty 3	Ply 1	H&H-NC/Topsail/ 130128627
--------------------	--------------	------------------------	----------	----------	------------------------------

Builders FirstSource, Sumter, SC 29153

7,640 s Sep 29 2015 MiTek Industries, Inc. Mon Jun 12 13:03:34 2017 Page 1
ID:X87q8Dmm5MnjRaLGAgs0yzEGbe-cLkLYhkfJNWQGFWAQ7?yDoiypJDFIAuSasqStz70Y7



Scale = 1:69.8

LOADING (psf)		SPACING-		CSI.		DEFL.		PLATES	GRIP
TCLL	20.0	2-0-0	Plate Grip DOL	1.15	TC	0.70	in (loc) l/defl L/d	MT20	244/190
TCDL	10.0	Lumber DOL	1.15	BC	0.65	Vert(LL)	-0.07 F-N >999 360		
BCLL	0.0 *	Rep Stress Incr	YES	WB	0.44	Vert(TL)	-0.20 F-N >999 240		
BCDL	10.0	Code IRC2009/TPI2007		(Matrix-S)		Horz(TL)	0.12 D n/a n/a		
						Wind(LL)	0.21 F-K >999 240	Weight: 134 lb	FT = 20%

LUMBER-
TOP CHORD 2x6 SP No.2
BOT CHORD 2x6 SP No.2 *Except*
G-H: 2x4 SP No.2
WEBS 2x4 SP No.3
WEDGE
Left: 2x4 SP No.3, Right: 2x4 SP No.3

BRACING-
TOP CHORD Structural wood sheathing directly applied.
BOT CHORD Rigid ceiling directly applied.

REACTIONS. (lb/size) B=848/0-5-8, D=848/0-5-8
Max Horz B=554(LC 7)
Max Uplift B=-597(LC 8), D=-597(LC 9)

FORCES. (lb) - Max. Comp./Max. Ten. - All forces 250 (lb) or less except when shown.
TOP CHORD B-C=-1471/735, C-D=-1471/826
BOT CHORD B-F=-415/1118, D-F=-404/1118
WEBS C-F=-287/1055

- NOTES-** (9)
- 1) Unbalanced roof live loads have been considered for this design.
 - 2) Wind: ASCE 7-05; 130mph; TCDL=6.0psf; BCDL=6.0psf; h=25ft; Cat. II; Exp C; enclosed; MWFRS (low-rise) gable end zone and C-C Exterior(2) zone; end vertical left and right exposed; C-C for members and forces & MWFRS for reactions shown; Lumber DOL=1.60 plate grip DOL=1.60
 - 3) This truss has been designed for basic load combinations, which include cases with reductions for multiple concurrent live loads.
 - 4) This truss has been designed for a 10.0 psf bottom chord live load nonconcurrent with any other live loads.
 - 5) * This truss has been designed for a live load of 20.0psf on the bottom chord in all areas where a rectangle 3-6-0 tall by 2-0-0 wide will fit between the bottom chord and any other members.
 - 6) Bearing at joint(s) B, D considers parallel to grain value using ANSI/TPI 1 angle to grain formula. Building designer should verify capacity of bearing surface.
 - 7) Provide mechanical connection (by others) of truss to bearing plate capable of withstanding 100 lb uplift at joint(s) except (jt=lb) B=597, D=597.
 - 8) This truss design requires that a minimum of 7/16" structural wood sheathing be applied directly to the top chord and 1/2" gypsum sheetrock be applied directly to the bottom chord.
 - 9) This manufactured truss is designed as an individual building component. The suitability and use of this component for any particular building is the responsibility of the building designer per ANSI TPI 1 as referenced by the building code.



June 12, 2017

WARNING - Verify design parameters and READ NOTES ON THIS AND INCLUDED MITEK REFERENCE PAGE Mil-7473 rev. 10/03/2015 BEFORE USE.

Design valid for use only with MiTek® connectors. This design is based only upon parameters shown, and is for an individual building component, not a truss system. Before use, the building designer must verify the applicability of design parameters and properly incorporate this design into the overall building design. Bracing indicated is to prevent buckling of individual truss web and/or chord members only. Additional temporary and permanent bracing is always required for stability and to prevent collapse with possible personal injury and property damage. For general guidance regarding the fabrication, storage, delivery, erection and bracing of trusses and truss systems, see **ANSI/TPI1 Quality Criteria, DSB-89 and BCSI Building Component Safety Information** available from Truss Plate Institute, 218 N. Lee Street, Suite 312, Alexandria, VA 22314.

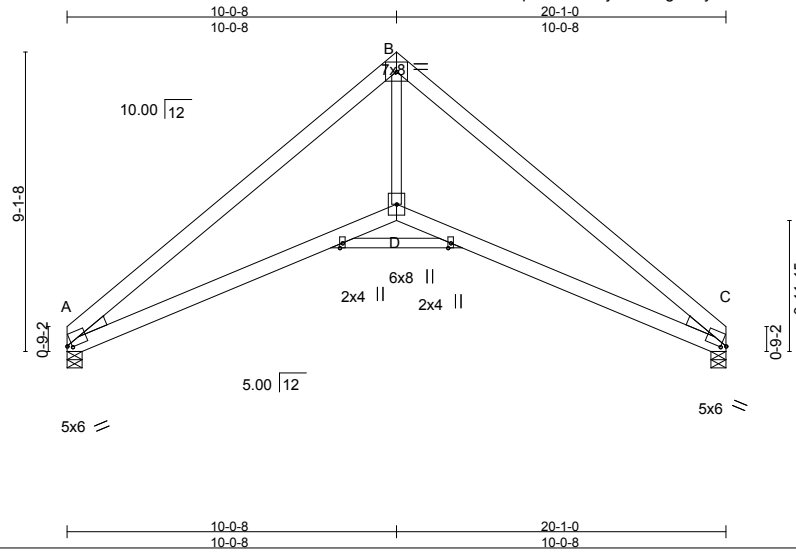


818 Soundside Road
Edenton, NC 27932

Job	Truss	Truss Type	Qty	Ply	H&H-NC/Topsail/	130128628
1110004_OFA	B03	SCISSORS	24	1		

Builders FirstSource, Sumter, SC 29153

7.640 s Sep 29 2015 MiTek Industries, Inc. Mon Jun 12 13:03:35 2017 Page 1
ID:X87q8Dmm5MnjRaLGAgs0yzEGbe-5Xik1kH4hfHtQpik8eEVQKsbDfa_IN1hEcN?Jz70Y6



LOADING (psf)		SPACING-		CSI.		DEFL.		PLATES	GRIP
TCLL	20.0	2-0-0	Plate Grip DOL	1.15	TC	0.71	Vert(LL)	MT20	244/190
TCDL	10.0	Lumber DOL	1.15	BC	0.64	Vert(TL)	-0.20	D-L	>999
BCLL	0.0 *	Rep Stress Incr	YES	WB	0.44	Horz(TL)	0.12	C	n/a
BCDL	10.0	Code IRC2009/TPI2007		(Matrix-S)		Wind(LL)	0.21	D-I	>999
								Weight: 129 lb	FT = 20%

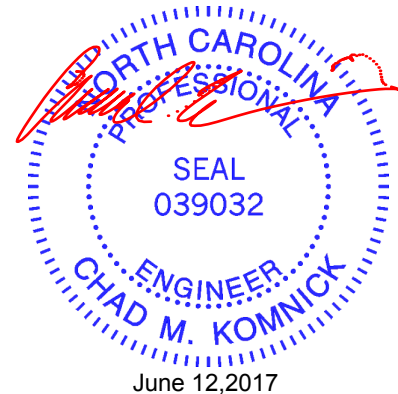
LUMBER-
 TOP CHORD 2x6 SP No.2
 BOT CHORD 2x6 SP No.2 *Except*
 E-F: 2x4 SP No.2
 WEBS 2x4 SP No.3
 WEDGE
 Left: 2x4 SP No.3, Right: 2x4 SP No.3

BRACING-
 TOP CHORD Structural wood sheathing directly applied.
 BOT CHORD Rigid ceiling directly applied.

REACTIONS. (lb/size) A=803/0-5-8, C=803/0-5-8
 Max Horz A=-548(LC 6)
 Max Uplift A=-515(LC 8), C=-515(LC 9)

FORCES. (lb) - Max. Comp./Max. Ten. - All forces 250 (lb) or less except when shown.
 TOP CHORD A-B=-1477/790, B-C=-1477/865
 BOT CHORD A-D=-480/1123, C-D=-468/1123
 WEBS B-D=-336/1060

- NOTES-** (9)
- 1) Unbalanced roof live loads have been considered for this design.
 - 2) Wind: ASCE 7-05; 130mph; TCDL=6.0psf; BCDL=6.0psf; h=25ft; Cat. II; Exp C; enclosed; MWFRS (low-rise) gable end zone and C-C Exterior(2) zone; end vertical left and right exposed; C-C for members and forces & MWFRS for reactions shown; Lumber DOL=1.60 plate grip DOL=1.60
 - 3) This truss has been designed for basic load combinations, which include cases with reductions for multiple concurrent live loads.
 - 4) This truss has been designed for a 10.0 psf bottom chord live load nonconcurrent with any other live loads.
 - 5) * This truss has been designed for a live load of 20.0psf on the bottom chord in all areas where a rectangle 3-6-0 tall by 2-0-0 wide will fit between the bottom chord and any other members.
 - 6) Bearing at joint(s) A, C considers parallel to grain value using ANSI/TPI 1 angle to grain formula. Building designer should verify capacity of bearing surface.
 - 7) Provide mechanical connection (by others) of truss to bearing plate capable of withstanding 100 lb uplift at joint(s) except (jt=lb) A=515, C=515.
 - 8) This truss design requires that a minimum of 7/16" structural wood sheathing be applied directly to the top chord and 1/2" gypsum sheetrock be applied directly to the bottom chord.
 - 9) This manufactured truss is designed as an individual building component. The suitability and use of this component for any particular building is the responsibility of the building designer per ANSI TPI 1 as referenced by the building code.



WARNING - Verify design parameters and READ NOTES ON THIS AND INCLUDED MITTEK REFERENCE PAGE MII-7473 rev. 10/03/2015 BEFORE USE.

Design valid for use only with MiTek® connectors. This design is based only upon parameters shown, and is for an individual building component, not a truss system. Before use, the building designer must verify the applicability of design parameters and properly incorporate this design into the overall building design. Bracing indicated is to prevent buckling of individual truss web and/or chord members only. Additional temporary and permanent bracing is always required for stability and to prevent collapse with possible personal injury and property damage. For general guidance regarding the fabrication, storage, delivery, erection and bracing of trusses and truss systems, see **ANSI/TPI1 Quality Criteria, DSB-89 and BCSI Building Component Safety Information** available from Truss Plate Institute, 218 N. Lee Street, Suite 312, Alexandria, VA 22314.



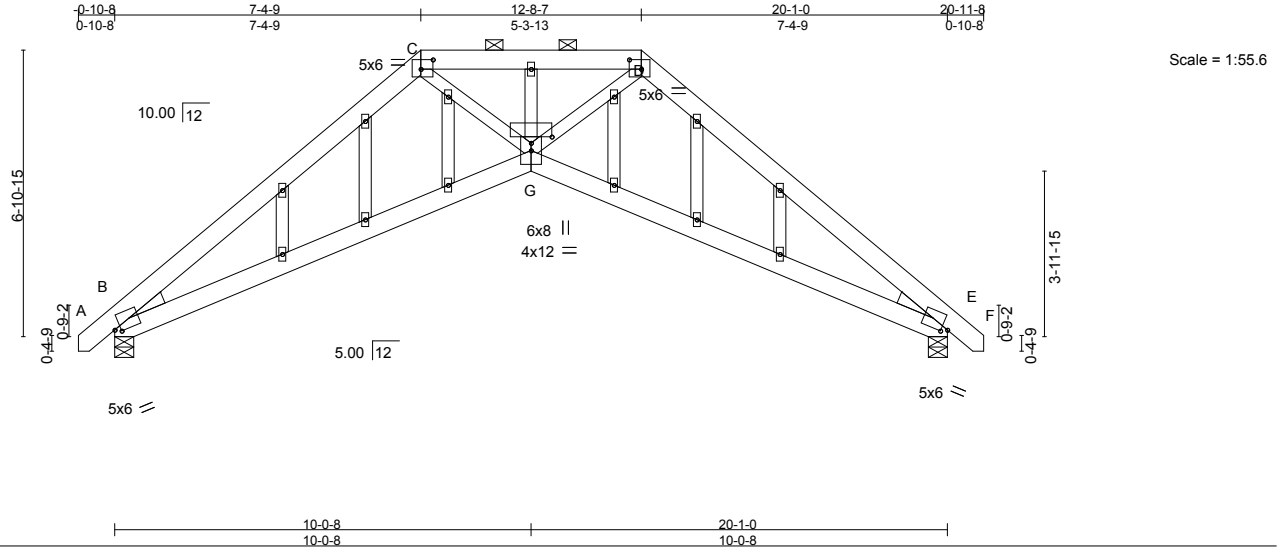
818 Soundside Road
 Edenton, NC 27932

Job 1110004_OFA	Truss B04	Truss Type GABLE	Qty 1	Ply 1	H&H-NC/Topsail/ 130128629
--------------------	--------------	---------------------	----------	----------	------------------------------

Builders FirstSource, Sumter, SC 29153

7.640 s Sep 29 2015 MiTek Industries, Inc. Mon Jun 12 13:03:35 2017 Page 1

ID:X87q8Dmm5MnjRaLGAgs0yzEGbe-5XIk1kH4hfHtQpik8eEVQKxkDkt_m51hEcN?Jz70Y6



Scale = 1:55.6

LOADING (psf)		SPACING-		CSI.		DEFL.		PLATES	GRIP
TCLL	20.0	2-0-0	Plate Grip DOL	1.15	TC	0.45	in (loc) l/defl L/d	MT20	244/190
TCDL	10.0	Lumber DOL	1.15	BC	0.37	Vert(LL)	-0.06 G-W >999 360		
BCLL	0.0 *	Rep Stress Incr	YES	WB	0.33	Vert(TL)	-0.19 G-W >999 240		
BCDL	10.0	Code IRC2009/TPI2007		(Matrix-S)		Horz(TL)	0.12 E n/a n/a		
						Wind(LL)	0.11 G-W >999 240	Weight: 150 lb	FT = 20%

LUMBER-

TOP CHORD 2x6 SP No.2
 BOT CHORD 2x6 SP No.2
 WEBS 2x4 SP No.3
 OTHERS 2x4 SP No.3
 WEDGE

Left: 2x4 SP No.3, Right: 2x4 SP No.3

BRACING-

TOP CHORD Structural wood sheathing directly applied, except 2-0-0 oc purlins (5-8-1 max.): C-D.
 BOT CHORD Rigid ceiling directly applied.

REACTIONS.

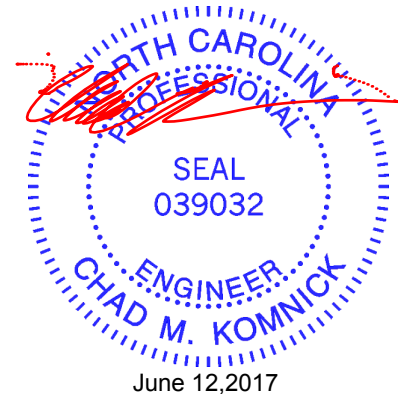
(lb/size) B=848/0-5-8, E=848/0-5-8
 Max Horz B=-413(LC 6)
 Max Uplift B=-579(LC 8), E=-579(LC 9)

FORCES. (lb) - Max. Comp./Max. Ten. - All forces 250 (lb) or less except when shown.

TOP CHORD B-C=-1538/918, C-D=-1653/1060, D-E=-1538/919
 BOT CHORD B-G=-931/1191, E-G=-571/1191
 WEBS C-G=-189/797, D-G=-535/797

NOTES- (14)

- Unbalanced roof live loads have been considered for this design.
- Wind: ASCE 7-05; 130mph; TC DL=6.0psf; BC DL=6.0psf; h=25ft; Cat. II; Exp C; enclosed; MWFRS (low-rise) gable end zone and C-C Exterior(2) zone; end vertical left and right exposed; C-C for members and forces & MWFRS for reactions shown; Lumber DOL=1.60 plate grip DOL=1.60
- Truss designed for wind loads in the plane of the truss only. For studs exposed to wind (normal to the face), see Standard Industry Gable End Details as applicable, or consult qualified building designer as per ANSI/TPI 1.
- This truss has been designed for basic load combinations, which include cases with reductions for multiple concurrent live loads.
- Provide adequate drainage to prevent water ponding.
- All plates are 2x4 MT20 unless otherwise indicated.
- Gable studs spaced at 2-0-0 oc.
- This truss has been designed for a 10.0 psf bottom chord live load nonconcurrent with any other live loads.
- * This truss has been designed for a live load of 20.0psf on the bottom chord in all areas where a rectangle 3-6-0 tall by 2-0-0 wide will fit between the bottom chord and any other members.
- Bearing at joint(s) B, E considers parallel to grain value using ANSI/TPI 1 angle to grain formula. Building designer should verify capacity of bearing surface.
- Provide mechanical connection (by others) of truss to bearing plate capable of withstanding 100 lb uplift at joint(s) except (jt=lb) B=579, E=579.
- This truss design requires that a minimum of 7/16" structural wood sheathing be applied directly to the top chord and 1/2" gypsum sheetrock be applied directly to the bottom chord.
- Graphical purlin representation does not depict the size or the orientation of the purlin along the top and/or bottom chord.
- This manufactured truss is designed as an individual building component. The suitability and use of this component for any particular building is the responsibility of the building designer per ANSI TPI 1 as referenced by the building code.



WARNING - Verify design parameters and READ NOTES ON THIS AND INCLUDED MITEK REFERENCE PAGE MII-7473 rev. 10/03/2015 BEFORE USE.

Design valid for use only with MiTek® connectors. This design is based only upon parameters shown, and is for an individual building component, not a truss system. Before use, the building designer must verify the applicability of design parameters and properly incorporate this design into the overall building design. Bracing indicated is to prevent buckling of individual truss web and/or chord members only. Additional temporary and permanent bracing is always required for stability and to prevent collapse with possible personal injury and property damage. For general guidance regarding the fabrication, storage, delivery, erection and bracing of trusses and truss systems, see **ANSI/TPI1 Quality Criteria, DSB-89 and BCSI Building Component Safety Information** available from Truss Plate Institute, 218 N. Lee Street, Suite 312, Alexandria, VA 22314.

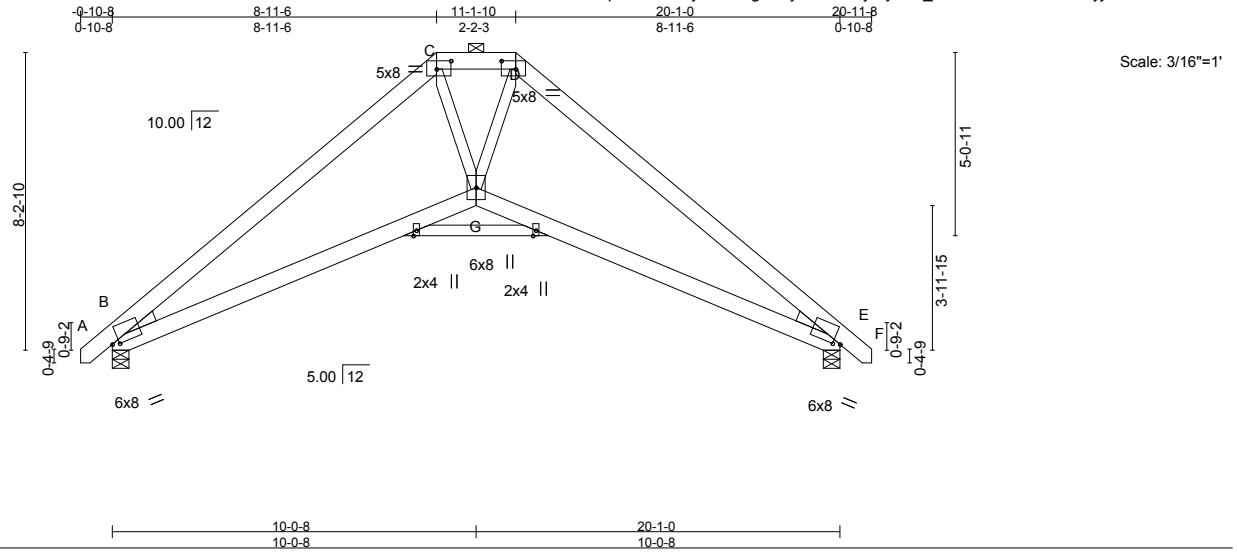


818 Soundside Road
 Edenton, NC 27932

Job 1110004_OFA	Truss B05	Truss Type HIP	Qty 1	Ply 1	H&H-NC/Topsail/ 130128630
--------------------	--------------	-------------------	----------	----------	------------------------------

Builders FirstSource, Sumter, SC 29153

7.640 s Sep 29 2015 MiTek Industries, Inc. Mon Jun 12 13:03:36 2017 Page 1
ID:X87q8Dmm5MnjRaLGAgs0yzEGbe-Zjs6yNlvr_n8UaOuHr9T2et3Ed2yjFYBwuLxXlZ70Y5



LOADING (psf)	SPACING-	2-0-0	CSI.	DEFL.	in (loc)	I/defl	L/d	PLATES	GRIP
TCLL 20.0	Plate Grip DOL	1.15	TC 0.59	Vert(LL)	-0.06	G-L	>999	MT20	244/190
TCDL 10.0	Lumber DOL	1.15	BC 0.50	Vert(TL)	-0.18	G-L	>999		
BCLL 0.0 *	Rep Stress Incr	YES	WB 0.25	Horz(TL)	0.08	E	n/a		
BCDL 10.0	Code IRC2009/TPI2007		(Matrix-S)	Wind(LL)	0.15	G-L	>999		
								Weight: 136 lb	FT = 20%

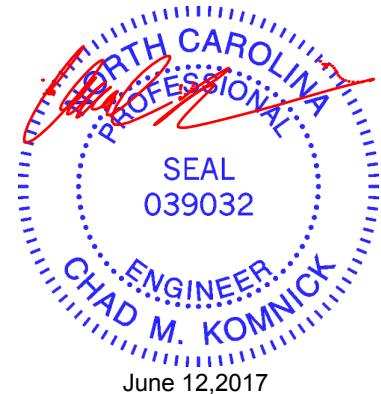
LUMBER-
 TOP CHORD 2x6 SP No.2
 BOT CHORD 2x6 SP No.2 *Except*
 H-I: 2x4 SP No.2
 WEBS 2x4 SP No.3
 WEDGE
 Left: 2x4 SP No.3, Right: 2x4 SP No.3

BRACING-
 TOP CHORD Structural wood sheathing directly applied, except 2-0-0 oc purlins (6-0-0 max.): C-D.
 BOT CHORD Rigid ceiling directly applied.

REACTIONS. (lb/size) B=848/0-5-8, E=848/0-5-8
 Max Horz B=-499(LC 6)
 Max Uplift B=-591(LC 8), E=-591(LC 9)

FORCES. (lb) - Max. Comp./Max. Ten. - All forces 250 (lb) or less except when shown.
 TOP CHORD B-C=-1482/785, C-D=-1158/905, D-E=-1482/785
 BOT CHORD B-G=-681/1130, E-G=-380/1130
 WEBS C-G=-225/610, D-G=-611/701

- NOTES-** (11)
- 1) Unbalanced roof live loads have been considered for this design.
 - 2) Wind: ASCE 7-05; 130mph; TCDL=6.0psf; BCDL=6.0psf; h=25ft; Cat. II; Exp C; enclosed; MWFRS (low-rise) gable end zone and C-C Exterior(2) zone; end vertical left and right exposed; C-C for members and forces & MWFRS for reactions shown; Lumber DOL=1.60 plate grip DOL=1.60
 - 3) This truss has been designed for basic load combinations, which include cases with reductions for multiple concurrent live loads.
 - 4) Provide adequate drainage to prevent water ponding.
 - 5) This truss has been designed for a 10.0 psf bottom chord live load nonconcurrent with any other live loads.
 - 6) * This truss has been designed for a live load of 20.0psf on the bottom chord in all areas where a rectangle 3-6-0 tall by 2-0-0 wide will fit between the bottom chord and any other members.
 - 7) Bearing at joint(s) B, E considers parallel to grain value using ANSI/TPI 1 angle to grain formula. Building designer should verify capacity of bearing surface.
 - 8) Provide mechanical connection (by others) of truss to bearing plate capable of withstanding 100 lb uplift at joint(s) except (jt=lb) B=591, E=591.
 - 9) This truss design requires that a minimum of 7/16" structural wood sheathing be applied directly to the top chord and 1/2" gypsum sheetrock be applied directly to the bottom chord.
 - 10) Graphical purlin representation does not depict the size or the orientation of the purlin along the top and/or bottom chord.
 - 11) This manufactured truss is designed as an individual building component. The suitability and use of this component for any particular building is the responsibility of the building designer per ANSI TPI 1 as referenced by the building code.



WARNING - Verify design parameters and READ NOTES ON THIS AND INCLUDED MITEK REFERENCE PAGE MII-7473 rev. 10/03/2015 BEFORE USE.

Design valid for use only with MiTek® connectors. This design is based only upon parameters shown, and is for an individual building component, not a truss system. Before use, the building designer must verify the applicability of design parameters and properly incorporate this design into the overall building design. Bracing indicated is to prevent buckling of individual truss web and/or chord members only. Additional temporary and permanent bracing is always required for stability and to prevent collapse with possible personal injury and property damage. For general guidance regarding the fabrication, storage, delivery, erection and bracing of trusses and truss systems, see **ANSI/TPI1 Quality Criteria, DSB-89 and BCSI Building Component Safety Information** available from Truss Plate Institute, 218 N. Lee Street, Suite 312, Alexandria, VA 22314.

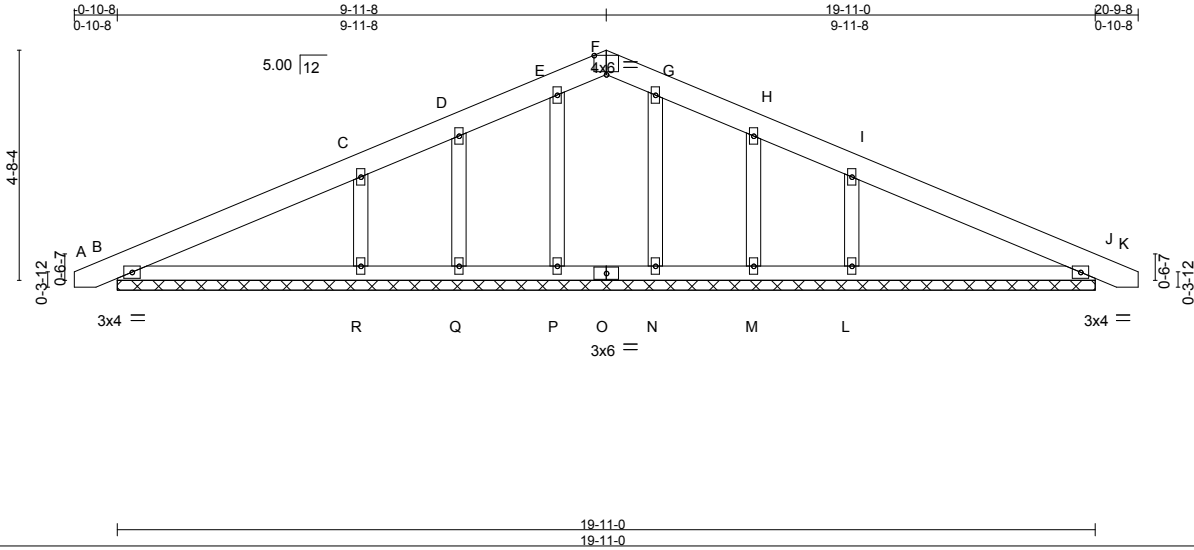
ENGINEERING BY
TRENCO
 A MiTek Affiliate

818 Soundside Road
 Edenton, NC 27932

Job 1110004_OFA	Truss C01	Truss Type GABLE	Qty 2	Ply 1	H&H-NC/Topsail/ Job Reference (optional)	I30128631
--------------------	--------------	---------------------	----------	----------	---	-----------

Builders FirstSource, Sumter, SC 29153

7,640 s Sep 29 2015 MiTek Industries, Inc. Mon Jun 12 13:03:37 2017 Page 1
ID:X87q8Dmm5MnjRaLGAgs0yzEGbe-1wPUAjmXclv?6jz5rYhiarQLa0TMSJUK9Y5U3Bz70Y4



Scale = 1:46.9

Plate Offsets (X,Y)-- [F:0-3-0,Edge]

LOADING (psf)	SPACING-	2-0-0	CSI.	DEFL.	in (loc)	l/defl	L/d	PLATES	GRIP	
TCLL 20.0	Plate Grip DOL	1.15	TC 0.17	Vert(LL)	0.00	K	n/r	120	MT20	244/190
TCDL 10.0	Lumber DOL	1.15	BC 0.17	Vert(TL)	0.01	K	n/r	120		
BCLL 0.0 *	Rep Stress Incr	YES	WB 0.14	Horz(TL)	0.00	J	n/a	n/a		
BCDL 10.0	Code IRC2009/TPI2007		(Matrix)							
								Weight: 109 lb	FT = 20%	

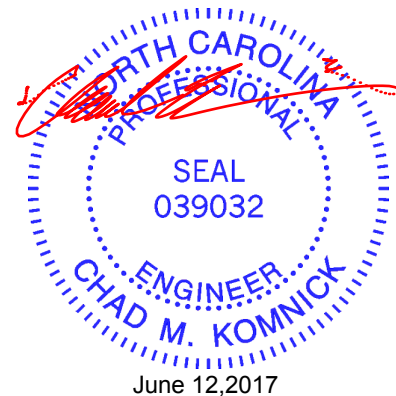
LUMBER-
TOP CHORD 2x6 SP No.2
BOT CHORD 2x4 SP No.2
OTHERS 2x4 SP No.3

BRACING-
TOP CHORD Structural wood sheathing directly applied or 6-0-0 oc purlins.
BOT CHORD Rigid ceiling directly applied or 10-0-0 oc bracing.

REACTIONS. All bearings 19-11-0.
(lb) - Max Horz B=123(LC 8)
Max Uplift All uplift 100 lb or less at joint(s) Q, M except B=-172(LC 8), J=-202(LC 9), P=-101(LC 8), R=389(LC 8), N=-100(LC 9), L=-387(LC 9)
Max Grav All reactions 250 lb or less at joint(s) F, B, J, P, Q, N, M except R=401(LC 1), L=401(LC 1)

FORCES. (lb) - Max. Comp./Max. Ten. - All forces 250 (lb) or less except when shown.
TOP CHORD D-E=-19/274, E-F=-11/331, F-G=-11/331, G-H=-19/275
WEBS C-R=-299/486, I-L=-299/486

- NOTES-** (12)
- 1) Unbalanced roof live loads have been considered for this design.
 - 2) Wind: ASCE 7-05; 130mph; TCCL=6.0psf; BCDL=6.0psf; h=25ft; Cat. II; Exp C; enclosed; MWFRS (low-rise) gable end zone and C-C Exterior(2) zone; end vertical left and right exposed;C-C for members and forces & MWFRS for reactions shown; Lumber DOL=1.60 plate grip DOL=1.60
 - 3) Truss designed for wind loads in the plane of the truss only. For studs exposed to wind (normal to the face), see Standard Industry Gable End Details as applicable, or consult qualified building designer as per ANSI/TPI 1.
 - 4) This truss has been designed for basic load combinations, which include cases with reductions for multiple concurrent live loads.
 - 5) All plates are 2x4 MT20 unless otherwise indicated.
 - 6) Gable requires continuous bottom chord bearing.
 - 7) Gable studs spaced at 2-0-0 oc.
 - 8) This truss has been designed for a 10.0 psf bottom chord live load nonconcurrent with any other live loads.
 - 9) * This truss has been designed for a live load of 20.0psf on the bottom chord in all areas where a rectangle 3-6-0 tall by 2-0-0 wide will fit between the bottom chord and any other members.
 - 10) Provide mechanical connection (by others) of truss to bearing plate capable of withstanding 100 lb uplift at joint(s) Q, M except (jt=lb) B=172, J=202, P=101, R=389, N=100, L=387.
 - 11) "Semi-rigid pitchbreaks including heels" Member end fixity model was used in the analysis and design of this truss.
 - 12) This manufactured truss is designed as an individual building component. The suitability and use of this component for any particular building is the responsibility of the building designer per ANSI TPI 1 as referenced by the building code.



June 12, 2017

WARNING - Verify design parameters and READ NOTES ON THIS AND INCLUDED MITEK REFERENCE PAGE MII-7473 rev. 10/03/2015 BEFORE USE.

Design valid for use only with MiTek® connectors. This design is based only upon parameters shown, and is for an individual building component, not a truss system. Before use, the building designer must verify the applicability of design parameters and properly incorporate this design into the overall building design. Bracing indicated is to prevent buckling of individual truss web and/or chord members only. Additional temporary and permanent bracing is always required for stability and to prevent collapse with possible personal injury and property damage. For general guidance regarding the fabrication, storage, delivery, erection and bracing of trusses and truss systems, see ANSI/TPI1 Quality Criteria, DSB-89 and BCSI Building Component Safety Information available from Truss Plate Institute, 218 N. Lee Street, Suite 312, Alexandria, VA 22314.

ENGINEERING BY
TRENCO
A MiTek Affiliate

818 Soundside Road
Edenton, NC 27932

Job 1110004_OFA	Truss C02	Truss Type COMMON	Qty 15	Ply 1	H&H-NC/Topsail/ 130128632
--------------------	--------------	----------------------	-----------	----------	------------------------------

Builders FirstSource, Sumter, SC 29153

7.640 s Sep 29 2015 MiTek Industries, Inc. Mon Jun 12 13:03:38 2017 Page 1

ID:X87q8Dmm5MnjRaLGAgs0yzEGbe-V6zsN2n9Nc1sktYHPGCx73yPqQe9BAbUNCq1bez70Y3

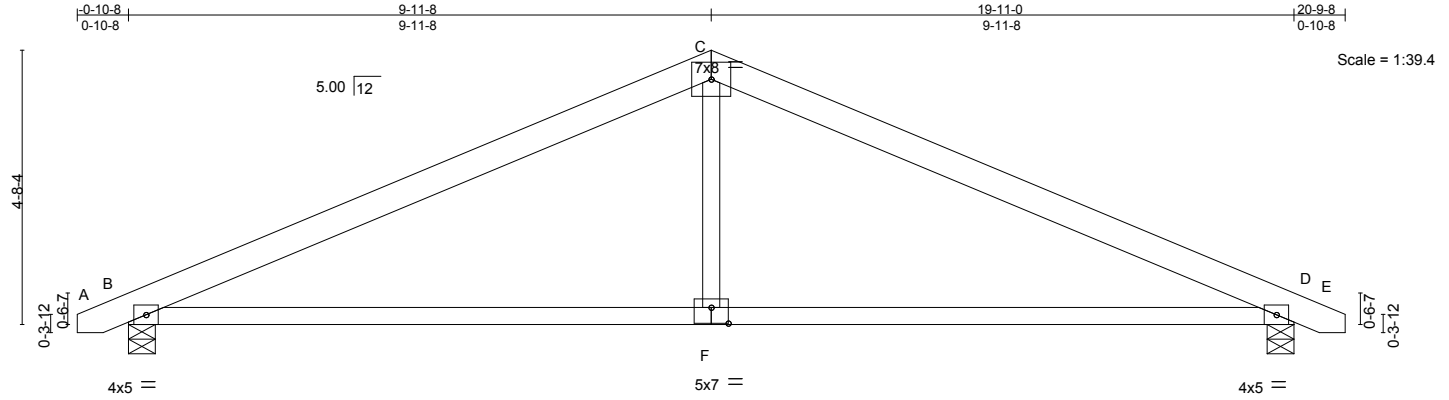


Plate Offsets (X,Y)-- [F:0-3-8,0-3-4]	9-11-8 9-11-8	19-11-0 9-11-8
---------------------------------------	------------------	-------------------

LOADING (psf)	SPACING-	2-0-0	CSI.	DEFL.	in (loc)	I/defl	L/d	PLATES	GRIP
TCLL 20.0	Plate Grip DOL	1.15	TC 0.58	Vert(LL)	-0.12	F-I	>999	MT20	244/190
TCDL 10.0	Lumber DOL	1.15	BC 0.84	Vert(TL)	-0.36	F-I	>666		
BCLL 0.0 *	Rep Stress Incr	YES	WB 0.15	Horz(TL)	0.03	D	n/a		
BCDL 10.0	Code IRC2009/TPI2007		(Matrix-S)	Wind(LL)	0.20	F-I	>999		
								Weight: 91 lb	FT = 20%

LUMBER-

TOP CHORD 2x6 SP No.2
 BOT CHORD 2x4 SP No.2
 WEBS 2x4 SP No.3

BRACING-

TOP CHORD Structural wood sheathing directly applied.
 BOT CHORD Rigid ceiling directly applied.

REACTIONS.

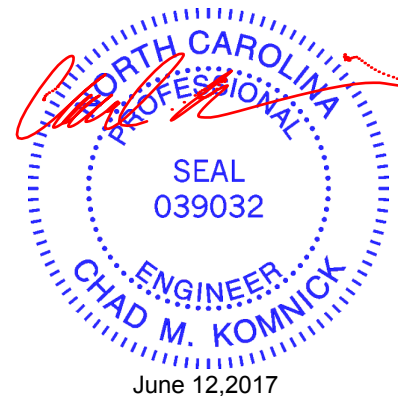
(lb/size) B=836/0-5-8, D=836/0-5-8
 Max Horz B=-130(LC 9)
 Max Uplift B=-622(LC 8), D=-622(LC 9)

FORCES. (lb) - Max. Comp./Max. Ten. - All forces 250 (lb) or less except when shown.

TOP CHORD B-C=-1227/1093, C-D=-1227/1093
 BOT CHORD B-F=-776/1072, D-F=-776/1072
 WEBS C-F=0/403

NOTES- (8)

- Unbalanced roof live loads have been considered for this design.
- Wind: ASCE 7-05; 130mph; TCDL=6.0psf; BCDL=6.0psf; h=25ft; Cat. II; Exp C; enclosed; MWFRS (low-rise) gable end zone and C-C Exterior(2) zone; end vertical left and right exposed; C-C for members and forces & MWFRS for reactions shown; Lumber DOL=1.60 plate grip DOL=1.60
- This truss has been designed for basic load combinations, which include cases with reductions for multiple concurrent live loads.
- This truss has been designed for a 10.0 psf bottom chord live load nonconcurrent with any other live loads.
- * This truss has been designed for a live load of 20.0psf on the bottom chord in all areas where a rectangle 3-6-0 tall by 2-0-0 wide will fit between the bottom chord and any other members.
- Provide mechanical connection (by others) of truss to bearing plate capable of withstanding 100 lb uplift at joint(s) except (jt=lb) B=622, D=622.
- This truss design requires that a minimum of 7/16" structural wood sheathing be applied directly to the top chord and 1/2" gypsum sheetrock be applied directly to the bottom chord.
- This manufactured truss is designed as an individual building component. The suitability and use of this component for any particular building is the responsibility of the building designer per ANSI TPI 1 as referenced by the building code.



WARNING - Verify design parameters and READ NOTES ON THIS AND INCLUDED MITEK REFERENCE PAGE MII-7473 rev. 10/03/2015 BEFORE USE.

Design valid for use only with MiTek® connectors. This design is based only upon parameters shown, and is for an individual building component, not a truss system. Before use, the building designer must verify the applicability of design parameters and properly incorporate this design into the overall building design. Bracing indicated is to prevent buckling of individual truss web and/or chord members only. Additional temporary and permanent bracing is always required for stability and to prevent collapse with possible personal injury and property damage. For general guidance regarding the fabrication, storage, delivery, erection and bracing of trusses and truss systems, see **ANSI/TPI1 Quality Criteria, DSB-89 and BCSI Building Component Safety Information** available from Truss Plate Institute, 218 N. Lee Street, Suite 312, Alexandria, VA 22314.



818 Soundside Road
 Edenton, NC 27932

Job 1110004_OFA	Truss C03	Truss Type GABLE	Qty 1	Ply 1	H&H-NC/Topsail/ I30128633
--------------------	--------------	---------------------	----------	----------	------------------------------

Builders FirstSource, Sumter, SC 29153

7,640 s Sep 29 2015 MiTek Industries, Inc. Mon Jun 12 13:03:38 2017 Page 1
ID:X87q8Dmm5MnjRaLGAgs0yzEGbe-V6zsN2n9Nc1sktYHPGCx73yVaQqVBBUDNCq1bez70Y3

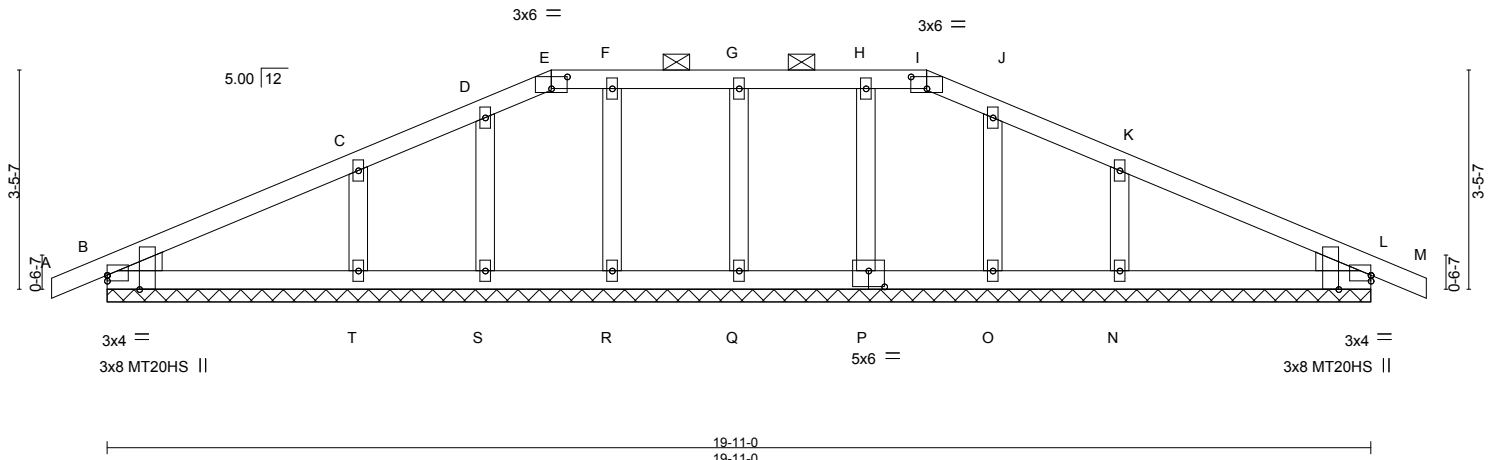
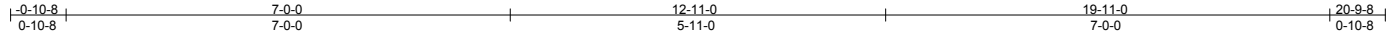


Plate Offsets (X,Y)-- [B:0-2-11,Edge], [B:0-0-0-1-1], [E:0-3-0-0-2-4], [I:0-3-0-0-2-4], [L:0-2-11,Edge], [L:Edge,0-1-1], [P:0-3-0-0-3-0]

LOADING (psf)	SPACING-	2-0-0	CSI.	DEFL.	in (loc)	l/defl	L/d	PLATES	GRIP
TCLL 20.0	Plate Grip DOL	1.15	TC 0.21	Vert(LL)	0.00	M	n/r	MT20	244/190
TCDL 10.0	Lumber DOL	1.15	BC 0.12	Vert(TL)	0.01	M	n/r	MT20HS	187/143
BCLL 0.0 *	Rep Stress Incr	YES	WB 0.11	Horz(TL)	0.00	L	n/a		
BCDL 10.0	Code	IRC2009/TPI2007	(Matrix)						
								Weight: 91 lb	FT = 20%

LUMBER-

TOP CHORD 2x4 SP No.2
BOT CHORD 2x4 SP No.2
OTHERS 2x4 SP No.3
WEDGE

Left: 2x4 SP No.2, Right: 2x4 SP No.2

BRACING-

TOP CHORD Structural wood sheathing directly applied or 6-0-0 oc purlins, except 2-0-0 oc purlins (6-0-0 max.): E-1.
BOT CHORD Rigid ceiling directly applied or 10-0-0 oc bracing.

REACTIONS.

All bearings 19-11-0.
(lb) - Max Horz B=-93(LC 9)
Max Uplift All uplift 100 lb or less at joint(s) R, S, P, O except B=-180(LC 8), Q=-137(LC 7), T=-311(LC 8), L=-196(LC 9), N=-310(LC 9)
Max Grav All reactions 250 lb or less at joint(s) B, Q, R, S, P, O, L except T=310(LC 13), N=310(LC 14)

FORCES. (lb) - Max. Comp./Max. Ten. - All forces 250 (lb) or less except when shown.

WEBS C-T=-220/381, K-N=-220/381

NOTES- (15)

- Unbalanced roof live loads have been considered for this design.
- Wind: ASCE 7-05; 130mph; TCDL=6.0psf; BCDL=6.0psf; h=25ft; Cat. II; Exp C; enclosed; MWFRS (low-rise) gable end zone and C-C Exterior(2) zone; end vertical left and right exposed; C-C for members and forces & MWFRS for reactions shown; Lumber DOL=1.60 plate grip DOL=1.60
- Truss designed for wind loads in the plane of the truss only. For studs exposed to wind (normal to the face), see Standard Industry Gable End Details as applicable, or consult qualified building designer as per ANSI/TPI 1.
- This truss has been designed for basic load combinations, which include cases with reductions for multiple concurrent live loads.
- Provide adequate drainage to prevent water ponding.
- All plates are MT20 plates unless otherwise indicated.
- All plates are 2x4 MT20 unless otherwise indicated.
- Gable requires continuous bottom chord bearing.
- Gable studs spaced at 2-0-0 oc.
- This truss has been designed for a 10.0 psf bottom chord live load nonconcurrent with any other live loads.
- * This truss has been designed for a live load of 20.0psf on the bottom chord in all areas where a rectangle 3-6-0 tall by 2-0-0 wide will fit between the bottom chord and any other members.
- Provide mechanical connection (by others) of truss to bearing plate capable of withstanding 100 lb uplift at joint(s) R, S, P, O except (jt=lb) B=180, Q=137, T=311, L=196, N=310.
- "Semi-rigid pitchbreaks including heels" Member end fixity model was used in the analysis and design of this truss.
- Graphical purlin representation does not depict the size or the orientation of the purlin along the top and/or bottom chord.
- This manufactured truss is designed as an individual building component. The suitability and use of this component for any particular building is the responsibility of the building designer per ANSI TPI 1 as referenced by the building code.



WARNING - Verify design parameters and READ NOTES ON THIS AND INCLUDED MITEK REFERENCE PAGE MII-7473 rev. 10/03/2015 BEFORE USE.

Design valid for use only with MiTek® connectors. This design is based only upon parameters shown, and is for an individual building component, not a truss system. Before use, the building designer must verify the applicability of design parameters and properly incorporate this design into the overall building design. Bracing indicated is to prevent buckling of individual truss web and/or chord members only. Additional temporary and permanent bracing is always required for stability and to prevent collapse with possible personal injury and property damage. For general guidance regarding the fabrication, storage, delivery, erection and bracing of trusses and truss systems, see ANSITPI Quality Criteria, DSB-89 and BCSI Building Component Safety Information available from Truss Plate Institute, 218 N. Lee Street, Suite 312, Alexandria, VA 22314.

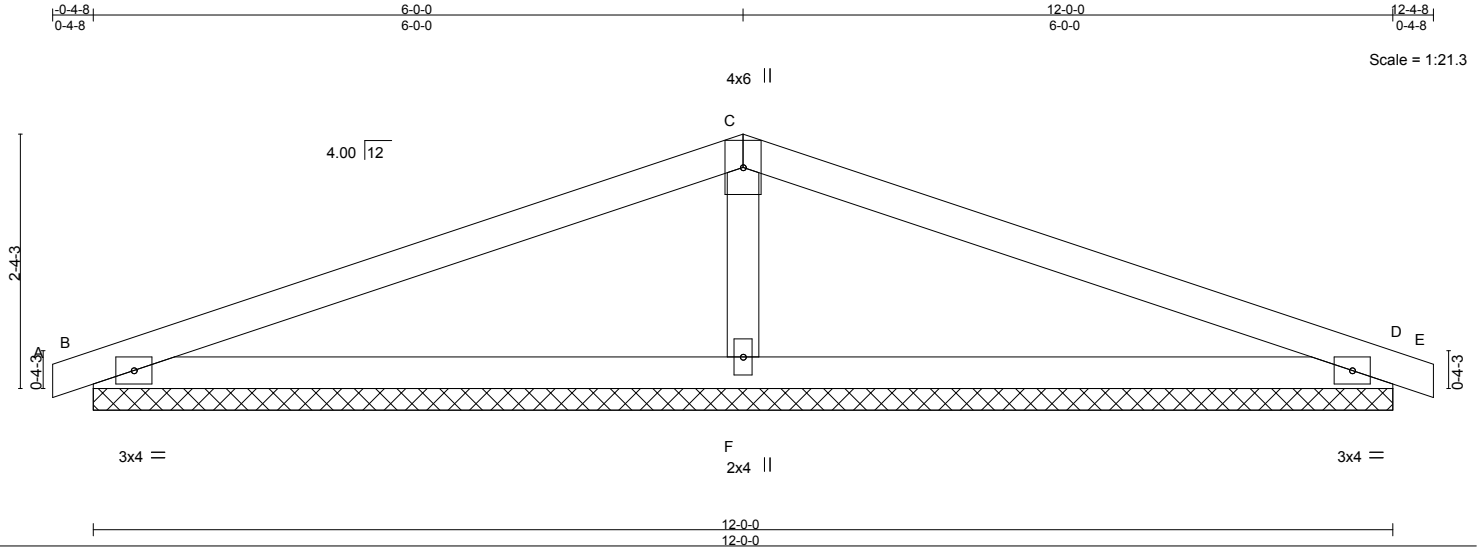


818 Soundside Road
Edenton, NC 27932

Job 1110004_OFA	Truss CP01	Truss Type GABLE	Qty 3	Ply 1	H&H-NC/Topsail/ Job Reference (optional)	130128634
--------------------	---------------	---------------------	----------	----------	---	-----------

Builders FirstSource, Sumter, SC 29153

7,640 s Sep 29 2015 MiTek Industries, Inc. Mon Jun 12 13:03:39 2017 Page 1
ID: X87q8Dmm5MnjRaLGAgs0yzEGbe-zlXEbOon8v9jM17TzzjAfGVbnq52wcmcsab84z70Y2



LOADING (psf)	SPACING-	CSI.	DEFL.	in (loc)	l/defl	L/d	PLATES	GRIP
TCLL 20.0	2-0-0	TC 0.57	Vert(LL)	0.01	E	n/r	MT20	244/190
TCDL 10.0	Plate Grip DOL 1.15	BC 0.35	Vert(TL)	0.03	E	n/r		
BCLL 0.0 *	Lumber DOL 1.15	WB 0.16	Horz(TL)	0.00	D	n/a		
BCDL 10.0	Rep Stress Incr YES	(Matrix)					Weight: 41 lb	FT = 20%
	Code IRC2009/TPI2007							

LUMBER-
TOP CHORD 2x4 SP No.2
BOT CHORD 2x4 SP No.2
OTHERS 2x4 SP No.3

BRACING-
TOP CHORD Structural wood sheathing directly applied or 6-0-0 oc purlins.
BOT CHORD Rigid ceiling directly applied or 10-0-0 oc bracing.

REACTIONS. (lb/size) B=228/12-0-0, D=228/12-0-0, F=549/12-0-0
Max Horz B=-62(LC 7)
Max Uplift B=-217(LC 8), D=-226(LC 7), F=-315(LC 8)
Max Grav B=235(LC 13), D=235(LC 14), F=549(LC 1)

FORCES. (lb) - Max. Comp./Max. Ten. - All forces 250 (lb) or less except when shown.
WEBS C-F=-366/531

- NOTES-** (11)
- Unbalanced roof live loads have been considered for this design.
 - Wind: ASCE 7-05; 130mph; TCDL=6.0psf; BCDL=6.0psf; h=25ft; Cat. II; Exp C; enclosed; MWFRS (low-rise) gable end zone and C-C Exterior(2) zone; end vertical left and right exposed; C-C for members and forces & MWFRS for reactions shown; Lumber DOL=1.60 plate grip DOL=1.60
 - Truss designed for wind loads in the plane of the truss only. For studs exposed to wind (normal to the face), see Standard Industry Gable End Details as applicable, or consult qualified building designer as per ANSI/TPI 1.
 - This truss has been designed for basic load combinations, which include cases with reductions for multiple concurrent live loads.
 - Gable requires continuous bottom chord bearing.
 - Gable studs spaced at 2-0-0 oc.
 - This truss has been designed for a 10.0 psf bottom chord live load nonconcurrent with any other live loads.
 - * This truss has been designed for a live load of 20.0psf on the bottom chord in all areas where a rectangle 3-6-0 tall by 2-0-0 wide will fit between the bottom chord and any other members.
 - Provide mechanical connection (by others) of truss to bearing plate capable of withstanding 100 lb uplift at joint(s) except (jt=lb) B=217, D=226, F=315.
 - "Semi-rigid pitchbreaks including heels" Member end fixity model was used in the analysis and design of this truss.
 - This manufactured truss is designed as an individual building component. The suitability and use of this component for any particular building is the responsibility of the building designer per ANSI TPI 1 as referenced by the building code.



WARNING - Verify design parameters and READ NOTES ON THIS AND INCLUDED MITEK REFERENCE PAGE MII-7473 rev. 10/03/2015 BEFORE USE.

Design valid for use only with MiTek® connectors. This design is based only upon parameters shown, and is for an individual building component, not a truss system. Before use, the building designer must verify the applicability of design parameters and properly incorporate this design into the overall building design. Bracing indicated is to prevent buckling of individual truss web and/or chord members only. Additional temporary and permanent bracing is always required for stability and to prevent collapse with possible personal injury and property damage. For general guidance regarding the fabrication, storage, delivery, erection and bracing of trusses and truss systems, see **ANSI/TPI1 Quality Criteria, DSB-89 and BCSI Building Component Safety Information** available from Truss Plate Institute, 218 N. Lee Street, Suite 312, Alexandria, VA 22314.

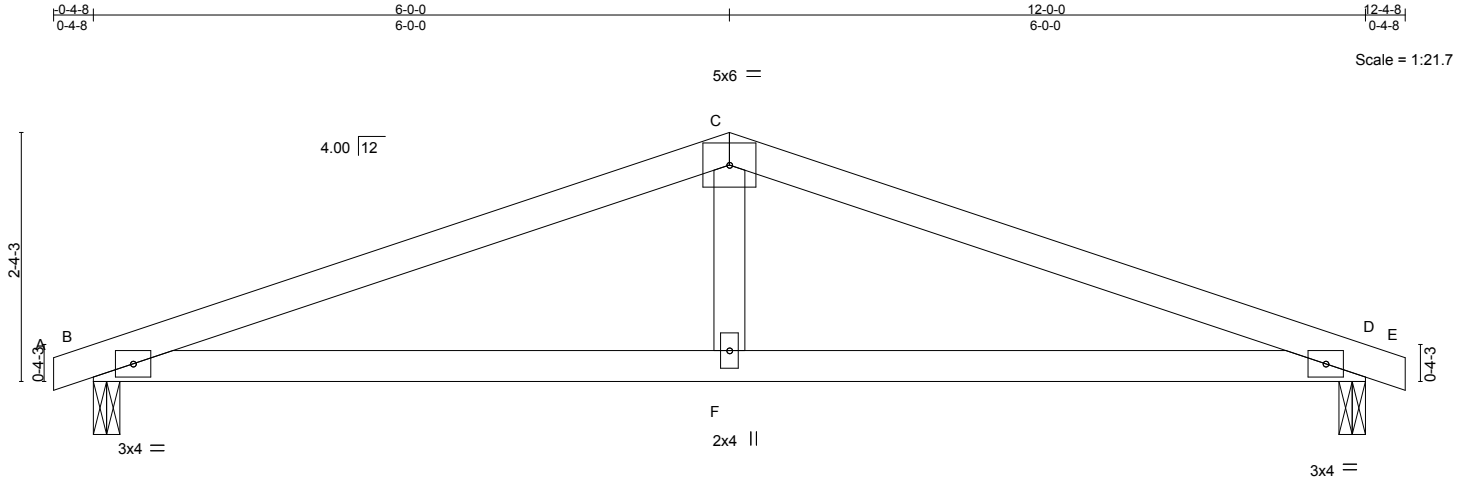
ENGINEERING BY
TRENCO
A MiTek Affiliate

818 Soundside Road
Edenton, NC 27932

Job 1110004_OFA	Truss CP02	Truss Type Common	Qty 9	Ply 1	H&H-NC/Topsail/ Job Reference (optional)	130128635
--------------------	---------------	----------------------	----------	----------	---	-----------

Builders FirstSource, Sumter, SC 29153

7.640 s Sep 29 2015 MiTek Industries, Inc. Mon Jun 12 13:03:40 2017 Page 1
ID:X87q8Dmm5MnjRaLGAgs0yzEGbe-RV5dokoPvDHazBigWhEPCU2liEPHf4ymrWJ8gWz70Y1



LOADING (psf)	SPACING-	CSI.	DEFL.	PLATES	GRIP
TCLL 20.0	2-0-0	TC 0.62	in (loc) l/defl L/d	MT20	244/190
TCDL 10.0	Plate Grip DOL 1.15	BC 0.48	Vert(LL) -0.02 F-l >999 360		
BCLL 0.0 *	Lumber DOL 1.15	WB 0.10	Vert(TL) -0.07 F-l >999 240		
BCDL 10.0	Rep Stress Incr YES	(Matrix-S)	Horz(TL) -0.02 D n/a n/a	Weight: 41 lb	FT = 20%
	Code IRC2009/TPI2007		Wind(LL) 0.12 F-L >999 240		

LUMBER-

TOP CHORD 2x4 SP No.2
BOT CHORD 2x4 SP No.2
WEBS 2x4 SP No.3

BRACING-

TOP CHORD Structural wood sheathing directly applied.
BOT CHORD Rigid ceiling directly applied.

REACTIONS.

(lb/size) B=502/0-3-0, D=503/0-3-0
Max Horz B=-65(LC 7)
Max Uplift B=-665(LC 8), D=-665(LC 9)

FORCES.

(lb) - Max. Comp./Max. Ten. - All forces 250 (lb) or less except when shown.
TOP CHORD B-C=-786/1867, C-D=-786/1867
BOT CHORD B-F=-1638/701, D-F=-1638/701
WEBS C-F=-625/235

NOTES-

- Unbalanced roof live loads have been considered for this design.
- Wind: ASCE 7-05; 130mph; TCDL=6.0psf; BCDL=6.0psf; h=25ft; Cat. II; Exp C; enclosed; MWFRS (low-rise) gable end zone and C-C Exterior(2) zone; end vertical left and right exposed; porch left and right exposed; C-C for members and forces & MWFRS for reactions shown; Lumber DOL=1.60 plate grip DOL=1.60
- This truss has been designed for basic load combinations, which include cases with reductions for multiple concurrent live loads.
- This truss has been designed for a 10.0 psf bottom chord live load nonconcurrent with any other live loads.
- * This truss has been designed for a live load of 20.0psf on the bottom chord in all areas where a rectangle 3-6-0 tall by 2-0-0 wide will fit between the bottom chord and any other members.
- Provide mechanical connection (by others) of truss to bearing plate capable of withstanding 100 lb uplift at joint(s) except (jt=lb) B=665, D=665.
- This truss design requires that a minimum of 7/16" structural wood sheathing be applied directly to the top chord and 1/2" gypsum sheetrock be applied directly to the bottom chord.
- This manufactured truss is designed as an individual building component. The suitability and use of this component for any particular building is the responsibility of the building designer per ANSI TPI 1 as referenced by the building code.



WARNING - Verify design parameters and READ NOTES ON THIS AND INCLUDED MITEK REFERENCE PAGE MII-7473 rev. 10/03/2015 BEFORE USE.

Design valid for use only with MiTek® connectors. This design is based only upon parameters shown, and is for an individual building component, not a truss system. Before use, the building designer must verify the applicability of design parameters and properly incorporate this design into the overall building design. Bracing indicated is to prevent buckling of individual truss web and/or chord members only. Additional temporary and permanent bracing is always required for stability and to prevent collapse with possible personal injury and property damage. For general guidance regarding the fabrication, storage, delivery, erection and bracing of trusses and truss systems, see **ANSI/TPI1 Quality Criteria, DSB-89 and BCSI Building Component Safety Information** available from Truss Plate Institute, 218 N. Lee Street, Suite 312, Alexandria, VA 22314.

ENGINEERING BY
TRENCO
A MiTek Affiliate

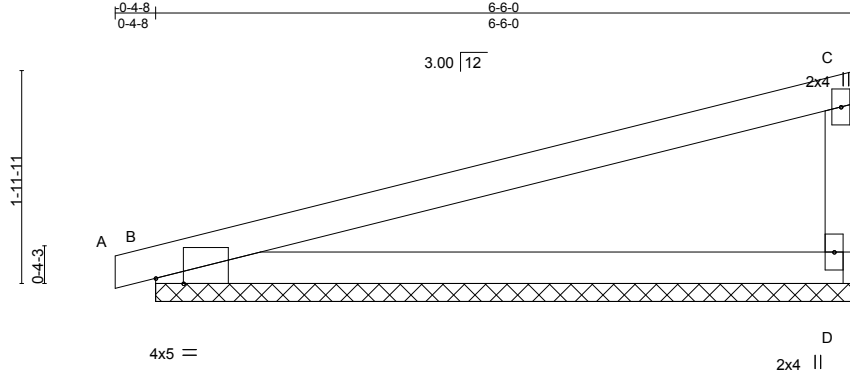
818 Soundside Road
Edenton, NC 27932

Job 1110004_OFA	Truss J01	Truss Type GABLE	Qty 2	Ply 1	H&H-NC/Topsail/ Job Reference (optional)	130128636
--------------------	--------------	---------------------	----------	----------	---	-----------

Builders FirstSource, Sumter, SC 29153

7.640 s Sep 29 2015 MiTek Industries, Inc. Mon Jun 12 13:03:40 2017 Page 1

ID:X87q8Dmm5MnjRaLGAgs0yzEGbe-RV5dokoPvDHazBigWhEPCU2hhEObf5UmrWJ8gWz70Y1



Scale = 1:21.4

Plate Offsets (X,Y)-- [B:0-3-1,Edge]

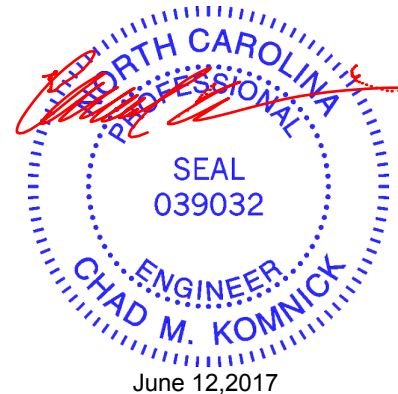
LOADING (psf)	SPACING-	2-0-0	CSI.	DEFL.	in	(loc)	l/defl	L/d	PLATES	GRIP
TCLL 20.0	Plate Grip DOL	1.15	TC 0.88	Vert(LL)	0.00	A	n/r	120	MT20	244/190
TCDL 10.0	Lumber DOL	1.15	BC 0.52	Vert(TL)	0.02	A	n/r	120		
BCLL 0.0 *	Rep Stress Incr	YES	WB 0.00	Horz(TL)	0.00	D	n/a	n/a		
BCDL 10.0	Code IRC2009/TPI2007		(Matrix)							
									Weight: 22 lb	FT = 20%

LUMBER-	BRACING-
TOP CHORD 2x4 SP No.1	TOP CHORD Structural wood sheathing directly applied or 2-2-0 oc purlins, except end verticals.
BOT CHORD 2x4 SP No.2	BOT CHORD Rigid ceiling directly applied or 10-0-0 oc bracing.
WEBS 2x4 SP No.2	

REACTIONS. (lb/size) D=254/6-6-0, B=277/6-6-0
 Max Horz B=152(LC 7)
 Max Uplift D=-208(LC 8), B=-234(LC 6)

FORCES. (lb) - Max. Comp./Max. Ten. - All forces 250 (lb) or less except when shown.
 TOP CHORD C-D=-190/398

- NOTES-** (10)
- 1) Wind: ASCE 7-05; 130mph; TCCL=6.0psf; BCDL=6.0psf; h=25ft; Cat. II; Exp C; enclosed; MWFRS (low-rise) gable end zone and C-C Exterior(2) zone; end vertical left and right exposed; C-C for members and forces & MWFRS for reactions shown; Lumber DOL=1.60 plate grip DOL=1.60
 - 2) Truss designed for wind loads in the plane of the truss only. For studs exposed to wind (normal to the face), see Standard Industry Gable End Details as applicable, or consult qualified building designer as per ANSI/TPI 1.
 - 3) This truss has been designed for basic load combinations, which include cases with reductions for multiple concurrent live loads.
 - 4) Gable requires continuous bottom chord bearing.
 - 5) Gable studs spaced at 2-0-0 oc.
 - 6) This truss has been designed for a 10.0 psf bottom chord live load nonconcurrent with any other live loads.
 - 7) * This truss has been designed for a live load of 20.0psf on the bottom chord in all areas where a rectangle 3-6-0 tall by 2-0-0 wide will fit between the bottom chord and any other members.
 - 8) Provide mechanical connection (by others) of truss to bearing plate capable of withstanding 100 lb uplift at joint(s) except (jt=lb) D=208, B=234.
 - 9) "Semi-rigid pitchbreaks including heels" Member end fixity model was used in the analysis and design of this truss.
 - 10) This manufactured truss is designed as an individual building component. The suitability and use of this component for any particular building is the responsibility of the building designer per ANSI TPI 1 as referenced by the building code.



WARNING - Verify design parameters and READ NOTES ON THIS AND INCLUDED MITEK REFERENCE PAGE MII-7473 rev. 10/03/2015 BEFORE USE.

Design valid for use only with MiTek® connectors. This design is based only upon parameters shown, and is for an individual building component, not a truss system. Before use, the building designer must verify the applicability of design parameters and properly incorporate this design into the overall building design. Bracing indicated is to prevent buckling of individual truss web and/or chord members only. Additional temporary and permanent bracing is always required for stability and to prevent collapse with possible personal injury and property damage. For general guidance regarding the fabrication, storage, delivery, erection and bracing of trusses and truss systems, see **ANSI/TPI1 Quality Criteria, DSB-89 and BCSI Building Component Safety Information** available from Truss Plate Institute, 218 N. Lee Street, Suite 312, Alexandria, VA 22314.

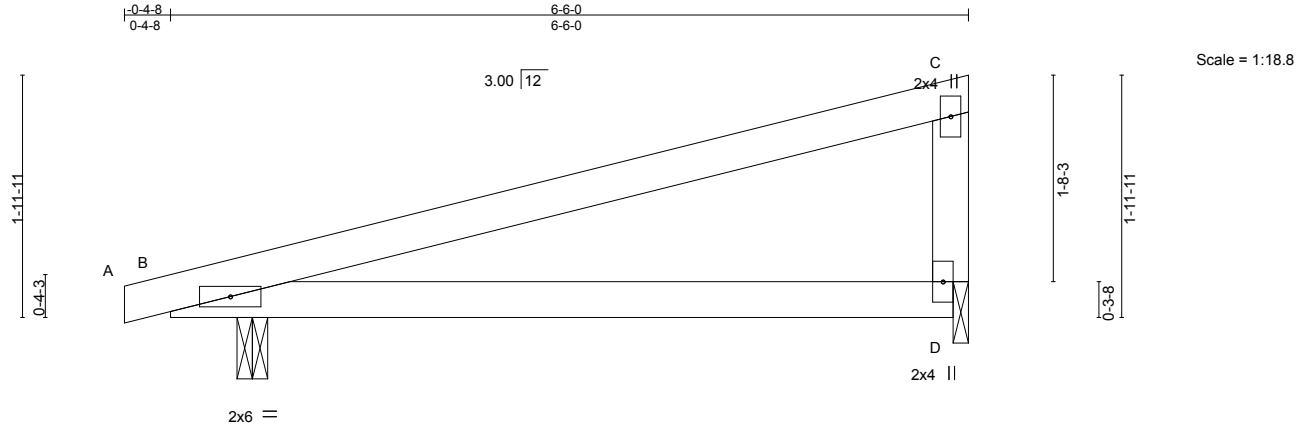


818 Soundside Road
 Edenton, NC 27932

Job 1110004_OFA	Truss J02	Truss Type Monopitch	Qty 30	Ply 1	H&H-NC/Topsail/ Job Reference (optional)	I30128637
--------------------	--------------	-------------------------	-----------	----------	---	-----------

Builders FirstSource, Sumter, SC 29153

7.640 s Sep 29 2015 MiTek Industries, Inc. Mon Jun 12 13:03:41 2017 Page 1
ID:X87q8Dmm5MnjRaLGAgs0yzEGbe-vhf?04p2gXPRbLHs4OlelhaqAehPOYjw3A3hCzz70Y0



LOADING (psf)	SPACING-	2-0-0	CSI.	DEFL.	in	(loc)	l/defl	L/d	PLATES	GRIP
TCLL 20.0	Plate Grip DOL	1.15	TC 0.96	Vert(LL)	-0.04	D-I	>999	360	MT20	244/190
TCDL 10.0	Lumber DOL	1.15	BC 0.74	Vert(TL)	-0.11	D-I	>665	240		
BCLL 0.0 *	Rep Stress Incr	YES	WB 0.00	Horz(TL)	-0.01	B	n/a	n/a		
BCDL 10.0	Code IRC2009/TPI2007		(Matrix-S)	Wind(LL)	0.23	D-I	>336	240	Weight: 22 lb	FT = 20%

LUMBER-

TOP CHORD 2x4 SP No.2
BOT CHORD 2x4 SP No.2
WEBS 2x4 SP No.2

BRACING-

TOP CHORD Structural wood sheathing directly applied, except end verticals.
BOT CHORD Rigid ceiling directly applied.

REACTIONS. (lb/size) B=319/0-3-0, D=212/0-1-8
Max Horz B=149(LC 6)
Max Uplift B=432(LC 6), D=-310(LC 6)

FORCES. (lb) - Max. Comp./Max. Ten. - All forces 250 (lb) or less except when shown.
TOP CHORD C-D=-149/326

NOTES- (9)

- 1) Wind: ASCE 7-05; 130mph; TCDL=6.0psf; BCDL=6.0psf; h=25ft; Cat. II; Exp C; enclosed; MWFRS (low-rise) gable end zone and C-C Exterior(2) zone; cantilever left exposed; end vertical left exposed; porch left exposed; C-C for members and forces & MWFRS for reactions shown; Lumber DOL=1.60 plate grip DOL=1.60
- 2) This truss has been designed for basic load combinations, which include cases with reductions for multiple concurrent live loads.
- 3) This truss has been designed for a 10.0 psf bottom chord live load nonconcurrent with any other live loads.
- 4) * This truss has been designed for a live load of 20.0psf on the bottom chord in all areas where a rectangle 3-6-0 tall by 2-0-0 wide will fit between the bottom chord and any other members.
- 5) Bearing at joint(s) D considers parallel to grain value using ANSI/TPI 1 angle to grain formula. Building designer should verify capacity of bearing surface.
- 6) Provide mechanical connection (by others) of truss to bearing plate at joint(s) D.
- 7) Provide mechanical connection (by others) of truss to bearing plate capable of withstanding 100 lb uplift at joint(s) except (jt=lb) B=432, D=310.
- 8) This truss design requires that a minimum of 7/16" structural wood sheathing be applied directly to the top chord and 1/2" gypsum sheetrock be applied directly to the bottom chord.
- 9) This manufactured truss is designed as an individual building component. The suitability and use of this component for any particular building is the responsibility of the building designer per ANSI TPI 1 as referenced by the building code.



WARNING - Verify design parameters and READ NOTES ON THIS AND INCLUDED MITEK REFERENCE PAGE MII-7473 rev. 10/03/2015 BEFORE USE.

Design valid for use only with MiTek® connectors. This design is based only upon parameters shown, and is for an individual building component, not a truss system. Before use, the building designer must verify the applicability of design parameters and properly incorporate this design into the overall building design. Bracing indicated is to prevent buckling of individual truss web and/or chord members only. Additional temporary and permanent bracing is always required for stability and to prevent collapse with possible personal injury and property damage. For general guidance regarding the fabrication, storage, delivery, erection and bracing of trusses and truss systems, see **ANSI/TPI1 Quality Criteria, DSB-89 and BCSI Building Component Safety Information** available from Truss Plate Institute, 218 N. Lee Street, Suite 312, Alexandria, VA 22314.

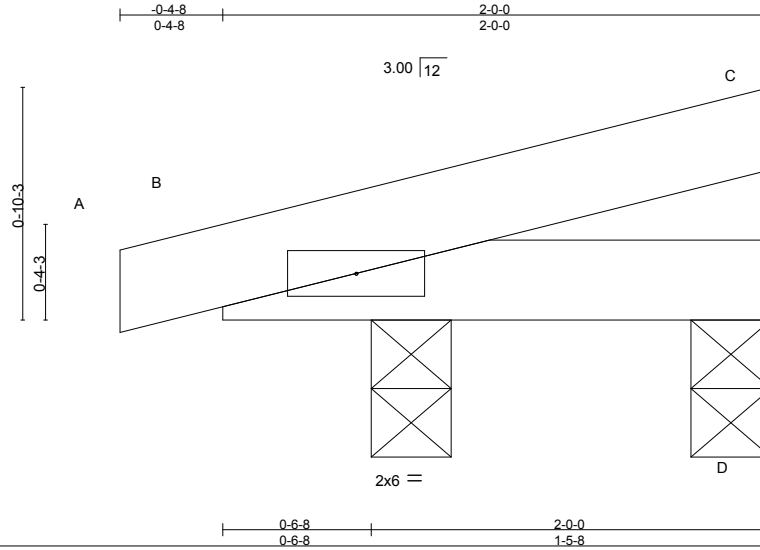


818 Soundside Road
Edenton, NC 27932

Job 1110004_OFA	Truss J03	Truss Type Monopitch Structural Gable	Qty 3	Ply 1	H&H-NC/Topsail/ Job Reference (optional)	I30128638
--------------------	--------------	--	----------	----------	---	-----------

Builders FirstSource, Sumter, SC 29153

7.640 s Sep 29 2015 MiTek Industries, Inc. Mon Jun 12 13:03:41 2017 Page 1
ID:X87q8Dmm5MnjRaLGAgs0yzEGbe-vhf?04p2gXPRbLHs4Oelha2KeqTOYjw3A3hCzz70Y0



Scale = 1:8.4

LOADING (psf)	SPACING-	2-0-0	CSI.	DEFL.	in (loc)	l/defl	L/d	PLATES	GRIP	
TCLL 20.0	Plate Grip DOL	1.15	TC 0.12	Vert(LL)	-0.00	l	>999	360	MT20	244/190
TCDL 10.0	Lumber DOL	1.15	BC 0.14	Vert(TL)	-0.00	l	>999	240		
BCLL 0.0 *	Rep Stress Incr	YES	WB 0.00	Horz(TL)	-0.00	B	n/a	n/a		
BCDL 10.0	Code IRC2009/TPI2007		(Matrix-M)	Wind(LL)	0.00	l	>999	240	Weight: 7 lb	FT = 20%

LUMBER-

TOP CHORD 2x4 SP No.2
BOT CHORD 2x4 SP No.2

BRACING-

TOP CHORD Structural wood sheathing directly applied or 2-0-0 oc purlins.
BOT CHORD Rigid ceiling directly applied or 10-0-0 oc bracing.

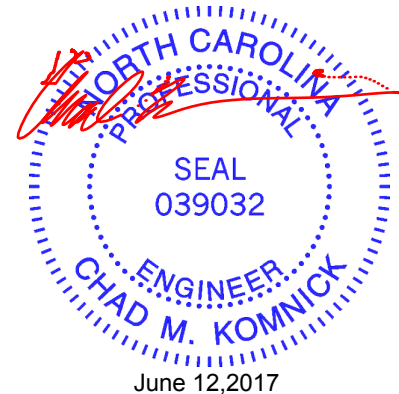
REACTIONS.

(lb/size) D=40/0-3-8, B=142/0-3-8
Max Horz D=52(LC 6)
Max Uplift D=-47(LC 9), B=-132(LC 6)

FORCES. (lb) - Max. Comp./Max. Ten. - All forces 250 (lb) or less except when shown.

NOTES- (9)

- 1) Wind: ASCE 7-05; 130mph; TCDL=6.0psf; BCDL=6.0psf; h=25ft; Cat. II; Exp C; enclosed; MWFRS (low-rise) gable end zone and C-C Exterior(2) zone; cantilever left exposed ; end vertical left exposed; C-C for members and forces & MWFRS for reactions shown; Lumber DOL=1.60 plate grip DOL=1.60
- 2) Truss designed for wind loads in the plane of the truss only. For studs exposed to wind (normal to the face), see Standard Industry Gable End Details as applicable, or consult qualified building designer as per ANSI/TPI 1.
- 3) This truss has been designed for basic load combinations, which include cases with reductions for multiple concurrent live loads.
- 4) Gable studs spaced at 2-0-0 oc.
- 5) This truss has been designed for a 10.0 psf bottom chord live load nonconcurrent with any other live loads.
- 6) * This truss has been designed for a live load of 20.0psf on the bottom chord in all areas where a rectangle 3-6-0 tall by 2-0-0 wide will fit between the bottom chord and any other members.
- 7) Provide mechanical connection (by others) of truss to bearing plate capable of withstanding 100 lb uplift at joint(s) D except (jt=lb) B=132.
- 8) "Semi-rigid pitchbreaks including heels" Member end fixity model was used in the analysis and design of this truss.
- 9) This manufactured truss is designed as an individual building component. The suitability and use of this component for any particular building is the responsibility of the building designer per ANSI TPI 1 as referenced by the building code.



WARNING - Verify design parameters and READ NOTES ON THIS AND INCLUDED MITEK REFERENCE PAGE MI-7473 rev. 10/03/2015 BEFORE USE.

Design valid for use only with MiTek® connectors. This design is based only upon parameters shown, and is for an individual building component, not a truss system. Before use, the building designer must verify the applicability of design parameters and properly incorporate this design into the overall building design. Bracing indicated is to prevent buckling of individual truss web and/or chord members only. Additional temporary and permanent bracing is always required for stability and to prevent collapse with possible personal injury and property damage. For general guidance regarding the fabrication, storage, delivery, erection and bracing of trusses and truss systems, see **ANSI/TPI1 Quality Criteria, DSB-89 and BCSI Building Component Safety Information** available from Truss Plate Institute, 218 N. Lee Street, Suite 312, Alexandria, VA 22314.

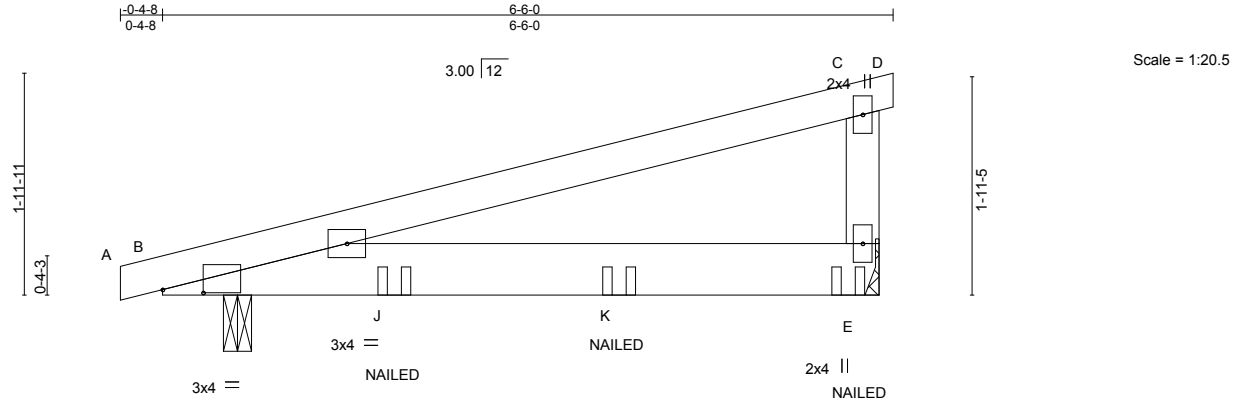


818 Soundside Road
Edenton, NC 27932

Job 1110004_OFA	Truss J04	Truss Type Monopitch Girder	Qty 1	Ply 1	H&H-NC/Topsail/ Job Reference (optional)	130128639
--------------------	--------------	--------------------------------	----------	----------	---	-----------

Builders FirstSource, Sumter, SC 29153

7.640 s Sep 29 2015 MiTek Industries, Inc. Mon Jun 12 13:03:41 2017 Page 1
ID:X87q8Dmm5MnjRaLGAgs0yzEGbe-vhf?04p2gXPRbLHs4Olelhay8ek?OYjw3A3hCzz70Y0



Scale = 1:20.5

LOADING (psf)		SPACING-		CSI.		DEFL.		PLATES	GRIP
TCLL	20.0	Plate Grip DOL	1.15	TC	0.45	Vert(LL)	-0.04 E-l >999 360	MT20	244/190
TCDL	10.0	Lumber DOL	1.15	BC	0.51	Vert(TL)	-0.10 E-l >757 240		
BCLL	0.0 *	Rep Stress Incr	NO	WB	0.00	Horz(TL)	-0.00 E n/a n/a		
BCDL	10.0	Code	IRC2009/TP12007	(Matrix-M)		Wind(LL)	0.14 E-l >547 240	Weight: 27 lb	FT = 20%

LUMBER-
TOP CHORD 2x4 SP No.2
BOT CHORD 2x6 SP No.2
WEBS 2x4 SP No.2

BRACING-
TOP CHORD Structural wood sheathing directly applied or 6-0-0 oc purlins, except end verticals.
BOT CHORD Rigid ceiling directly applied or 10-0-0 oc bracing.

REACTIONS. (lb/size) E=487/Mechanical, B=477/0-3-0
Max Horz B=153(LC 4)
Max Uplift E=-713(LC 4), B=-645(LC 4)

FORCES. (lb) - Max. Comp./Max. Ten. - All forces 250 (lb) or less except when shown.

NOTES- (10)

- 1) Wind: ASCE 7-05; 130mph; TCDL=6.0psf; BCDL=6.0psf; h=25ft; Cat. II; Exp C; enclosed; MWFRS (low-rise) gable end zone; cantilever left exposed ; end vertical left exposed; porch left exposed; Lumber DOL=1.60 plate grip DOL=1.60
- 2) This truss has been designed for basic load combinations, which include cases with reductions for multiple concurrent live loads.
- 3) This truss has been designed for a 10.0 psf bottom chord live load nonconcurrent with any other live loads.
- 4) * This truss has been designed for a live load of 20.0psf on the bottom chord in all areas where a rectangle 3-6-0 tall by 2-0-0 wide will fit between the bottom chord and any other members.
- 5) Refer to girder(s) for truss to truss connections.
- 6) Provide mechanical connection (by others) of truss to bearing plate capable of withstanding 100 lb uplift at joint(s) except (jt=lb) E=713, B=645.
- 7) "Semi-rigid pitchbreaks including heels" Member end fixity model was used in the analysis and design of this truss.
- 8) "NAILED" indicates 3-10d (0.148"x3") or 3-12d (0.148"x3.25") toe-nails. For more details refer to MiTek's ST-TOENAIL Detail.
- 9) In the LOAD CASE(S) section, loads applied to the face of the truss are noted as front (F) or back (B).
- 10) This manufactured truss is designed as an individual building component. The suitability and use of this component for any particular building is the responsibility of the building designer per ANSI TPI 1 as referenced by the building code.

LOAD CASE(S) Standard

- 1) Dead + Roof Live (balanced): Lumber Increase=1.15, Plate Increase=1.15
Uniform Loads (plf)
Vert: A-C=-60, C-D=-20, B-E=-20
Concentrated Loads (lb)
Vert: E=-138(F) J=-155(F) K=-144(F)



WARNING - Verify design parameters and READ NOTES ON THIS AND INCLUDED MITEK REFERENCE PAGE MII-7473 rev. 10/03/2015 BEFORE USE.

Design valid for use only with MiTek® connectors. This design is based only upon parameters shown, and is for an individual building component, not a truss system. Before use, the building designer must verify the applicability of design parameters and properly incorporate this design into the overall building design. Bracing indicated is to prevent buckling of individual truss web and/or chord members only. Additional temporary and permanent bracing is always required for stability and to prevent collapse with possible personal injury and property damage. For general guidance regarding the fabrication, storage, delivery, erection and bracing of trusses and truss systems, see **ANSI/TPI1 Quality Criteria, DSB-89 and BCSI Building Component Safety Information** available from Truss Plate Institute, 218 N. Lee Street, Suite 312, Alexandria, VA 22314.

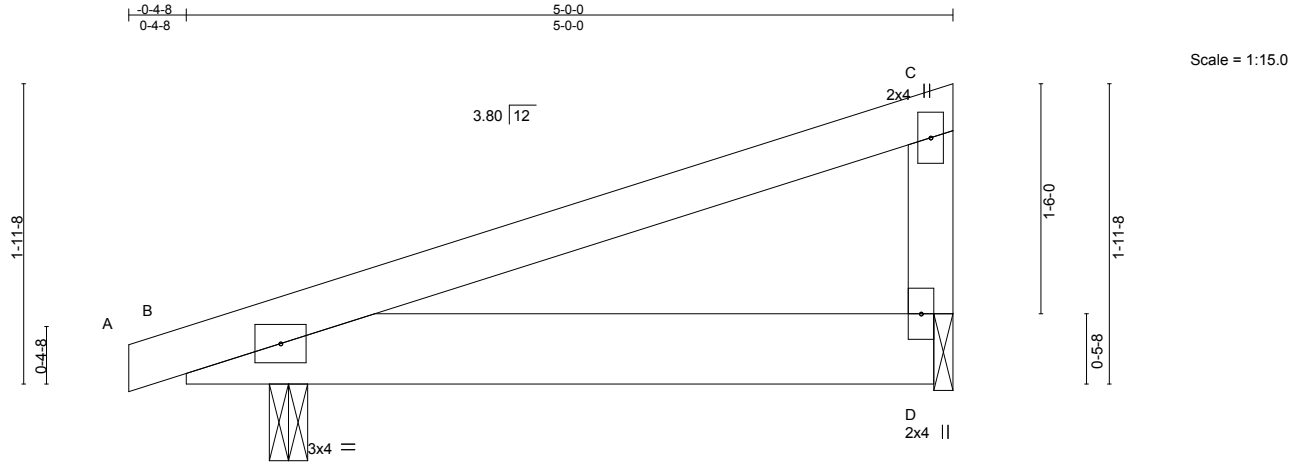
ENGINEERING BY
TRENCO
A MiTek Affiliate

818 Soundside Road
Edenton, NC 27932

Job 1110004_OFA	Truss J05	Truss Type MONOPITCH	Qty 3	Ply 1	H&H-NC/Topsail/ Job Reference (optional)	130128640
--------------------	--------------	-------------------------	----------	----------	---	-----------

Builders FirstSource, Sumter, SC 29153

7.640 s Sep 29 2015 MiTek Industries, Inc. Mon Jun 12 13:03:42 2017 Page 1
ID:X87q8Dmm5MnjRaLGAgs0yzEGbe-NtDNDQggRqXIDVs2e6GtHv7AK1887?z3lqoFkPz70Y?



LOADING (psf)	SPACING-	2-0-0	CSI.	DEFL.	in	(loc)	I/defl	L/d	PLATES	GRIP
TCLL 20.0	Plate Grip DOL	1.15	TC 0.29	Vert(LL)	-0.00	D-H	>999	360	MT20	244/190
TCDL 10.0	Lumber DOL	1.15	BC 0.26	Vert(TL)	-0.01	D-H	>999	240		
BCLL 0.0 *	Rep Stress Incr	YES	WB 0.00	Horz(TL)	-0.00	D	n/a	n/a		
BCDL 10.0	Code IRC2009/TPI2007		(Matrix-S)	Wind(LL)	0.03	D-H	>999	240	Weight: 22 lb	FT = 20%

LUMBER-

TOP CHORD 2x4 SP No.2
BOT CHORD 2x6 SP No.2
WEBS 2x4 SP No.3

BRACING-

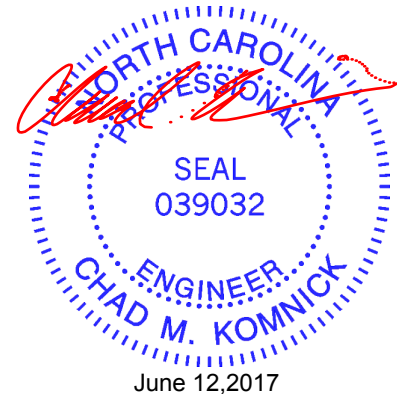
TOP CHORD Structural wood sheathing directly applied, except end verticals.
BOT CHORD Rigid ceiling directly applied.

REACTIONS. (lb/size) B=252/0-3-0, D=159/0-1-8
Max Horz B=148(LC 6)
Max Uplift B=335(LC 6), D=241(LC 6)

FORCES. (lb) - Max. Comp./Max. Ten. - All forces 250 (lb) or less except when shown.

NOTES- (9)

- 1) Wind: ASCE 7-05; 130mph; TCDL=6.0psf; BCDL=6.0psf; h=25ft; Cat. II; Exp C; enclosed; MWFRS (low-rise) gable end zone and C-C Exterior(2) zone; cantilever left exposed ; end vertical left exposed; porch left exposed;C-C for members and forces & MWFRS for reactions shown; Lumber DOL=1.60 plate grip DOL=1.60
- 2) This truss has been designed for basic load combinations, which include cases with reductions for multiple concurrent live loads.
- 3) This truss has been designed for a 10.0 psf bottom chord live load nonconcurrent with any other live loads.
- 4) * This truss has been designed for a live load of 20.0psf on the bottom chord in all areas where a rectangle 3-6-0 tall by 2-0-0 wide will fit between the bottom chord and any other members.
- 5) Bearing at joint(s) D considers parallel to grain value using ANSI/TPI 1 angle to grain formula. Building designer should verify capacity of bearing surface.
- 6) Provide mechanical connection (by others) of truss to bearing plate at joint(s) D.
- 7) Provide mechanical connection (by others) of truss to bearing plate capable of withstanding 100 lb uplift at joint(s) except (jt=lb) B=335, D=241.
- 8) This truss design requires that a minimum of 7/16" structural wood sheathing be applied directly to the top chord and 1/2" gypsum sheetrock be applied directly to the bottom chord.
- 9) This manufactured truss is designed as an individual building component. The suitability and use of this component for any particular building is the responsibility of the building designer per ANSI TPI 1 as referenced by the building code.



WARNING - Verify design parameters and READ NOTES ON THIS AND INCLUDED MITEK REFERENCE PAGE MII-7473 rev. 10/03/2015 BEFORE USE.

Design valid for use only with MiTek® connectors. This design is based only upon parameters shown, and is for an individual building component, not a truss system. Before use, the building designer must verify the applicability of design parameters and properly incorporate this design into the overall building design. Bracing indicated is to prevent buckling of individual truss web and/or chord members only. Additional temporary and permanent bracing is always required for stability and to prevent collapse with possible personal injury and property damage. For general guidance regarding the fabrication, storage, delivery, erection and bracing of trusses and truss systems, see ANSI/TPI1 Quality Criteria, DSB-89 and BCSI Building Component Safety Information available from Truss Plate Institute, 218 N. Lee Street, Suite 312, Alexandria, VA 22314.

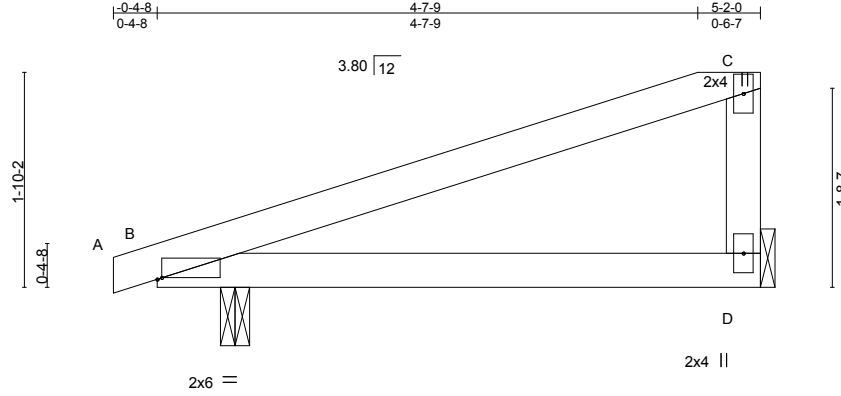
ENGINEERING BY
TRENCO
A MiTek Affiliate

818 Soundside Road
Edenton, NC 27932

Job 1110004_OFA	Truss J06	Truss Type HALF HIP	Qty 1	Ply 1	H&H-NC/Topsail/ Job Reference (optional)	I30128641
--------------------	--------------	------------------------	----------	----------	---	-----------

Builders FirstSource, Sumter, SC 29153

7.640 s Sep 29 2015 MiTek Industries, Inc. Mon Jun 12 13:03:42 2017 Page 1
ID:X87q8Dmm5MnjRaLGAgs0yzEGbe-NtDNDQggRqXIDVs2e6GtHv78g17O7?z3lqoFkPz70Y?



Scale = 1:19.7

Plate Offsets (X,Y)-- [B:0-0-7,Edge]

LOADING (psf)	SPACING-	2-0-0	CSI.	DEFL.	in (loc)	l/defl	L/d	PLATES	GRIP	
TCLL 20.0	Plate Grip DOL	1.15	TC 0.40	Vert(LL)	-0.01	D-H	>999	360	MT20	244/190
TCDL 10.0	Lumber DOL	1.15	BC 0.37	Vert(TL)	-0.03	D-H	>999	240		
BCLL 0.0 *	Rep Stress Incr	YES	WB 0.00	Horz(TL)	-0.00	B	n/a	n/a		
BCDL 10.0	Code IRC2009/TPI2007		(Matrix-S)	Wind(LL)	0.06	D-H	>940	240		
									Weight: 18 lb	FT = 20%

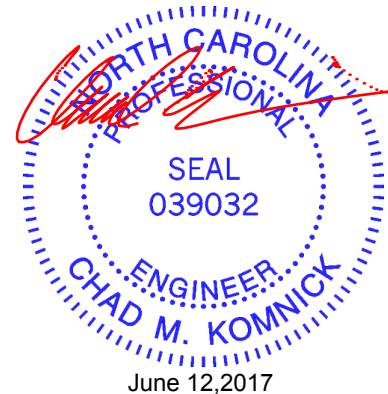
LUMBER-
TOP CHORD 2x4 SP No.2
BOT CHORD 2x4 SP No.2
WEBS 2x4 SP No.3

BRACING-
TOP CHORD Structural wood sheathing directly applied, except end verticals.
BOT CHORD Rigid ceiling directly applied.

REACTIONS. (lb/size) D=150/Mechanical, B=275/0-3-0
Max Horz B=153(LC 6)
Max Uplift D=-227(LC 6), B=-368(LC 6)

FORCES. (lb) - Max. Comp./Max. Ten. - All forces 250 (lb) or less except when shown.
TOP CHORD C-D=-110/252

- NOTES-** (8)
- 1) Wind: ASCE 7-05; 130mph; TCDL=6.0psf; BCDL=6.0psf; h=25ft; Cat. II; Exp C; enclosed; MWFRS (low-rise) gable end zone and C-C Exterior(2) zone; cantilever left exposed; end vertical left exposed; porch left exposed; C-C for members and forces & MWFRS for reactions shown; Lumber DOL=1.60 plate grip DOL=1.60
 - 2) This truss has been designed for basic load combinations, which include cases with reductions for multiple concurrent live loads.
 - 3) This truss has been designed for a 10.0 psf bottom chord live load nonconcurrent with any other live loads.
 - 4) * This truss has been designed for a live load of 20.0psf on the bottom chord in all areas where a rectangle 3-6-0 tall by 2-0-0 wide will fit between the bottom chord and any other members.
 - 5) Refer to girder(s) for truss to truss connections.
 - 6) Provide mechanical connection (by others) of truss to bearing plate capable of withstanding 100 lb uplift at joint(s) except (jt=lb) D=227, B=368.
 - 7) This truss design requires that a minimum of 7/16" structural wood sheathing be applied directly to the top chord and 1/2" gypsum sheetrock be applied directly to the bottom chord.
 - 8) This manufactured truss is designed as an individual building component. The suitability and use of this component for any particular building is the responsibility of the building designer per ANSI TPI 1 as referenced by the building code.



WARNING - Verify design parameters and READ NOTES ON THIS AND INCLUDED MITEK REFERENCE PAGE MII-7473 rev. 10/03/2015 BEFORE USE.

Design valid for use only with MiTek® connectors. This design is based only upon parameters shown, and is for an individual building component, not a truss system. Before use, the building designer must verify the applicability of design parameters and properly incorporate this design into the overall building design. Bracing indicated is to prevent buckling of individual truss web and/or chord members only. Additional temporary and permanent bracing is always required for stability and to prevent collapse with possible personal injury and property damage. For general guidance regarding the fabrication, storage, delivery, erection and bracing of trusses and truss systems, see **ANSI/TPI1 Quality Criteria, DSB-89 and BCSI Building Component Safety Information** available from Truss Plate Institute, 218 N. Lee Street, Suite 312, Alexandria, VA 22314.

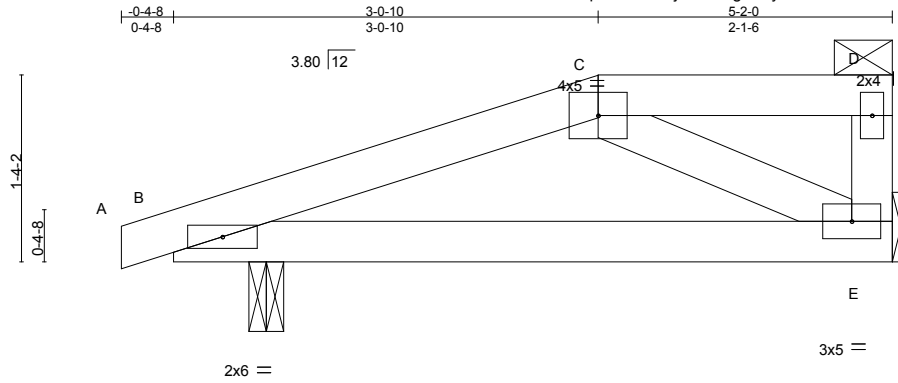


818 Soundside Road
Edenton, NC 27932

Job 1110004_OFA	Truss J07	Truss Type HALF HIP	Qty 1	Ply 1	H&H-NC/Topsail/ Job Reference (optional)	130128642
--------------------	--------------	------------------------	----------	----------	---	-----------

Builders FirstSource, Sumter, SC 29153

7.640 s Sep 29 2015 MiTek Industries, Inc. Mon Jun 12 13:03:43 2017 Page 1
ID:X87q8Dmm5MnjRaLGAGDs0yzEGbe-s4nlQmrlC8f8qfRFCpn6q6gM_RUWsRZDXUYoHrz70Y_



Scale = 1:16.6

LOADING (psf)		SPACING-		CSI.		DEFL.				PLATES		GRIP	
TCLL	20.0	2-0-0	Plate Grip DOL	1.15	TC	0.17	in	(loc)	l/defl	L/d	MT20	244/190	
TCDL	10.0	Lumber DOL	1.15	BC	0.32	Vert(LL)	-0.01	E-I	>999	360	Weight: 20 lb FT = 20%		
BCLL	0.0 *	Rep Stress Incr	YES	WB	0.11	Vert(TL)	-0.03	E-I	>999	240			
BCDL	10.0	Code	IRC2009/TPI2007	(Matrix-S)		Horz(TL)	-0.00	E	n/a	n/a			
						Wind(LL)	0.05	E-I	>999	240			

LUMBER-

TOP CHORD 2x4 SP No.2
BOT CHORD 2x4 SP No.2
WEBS 2x4 SP No.3

BRACING-

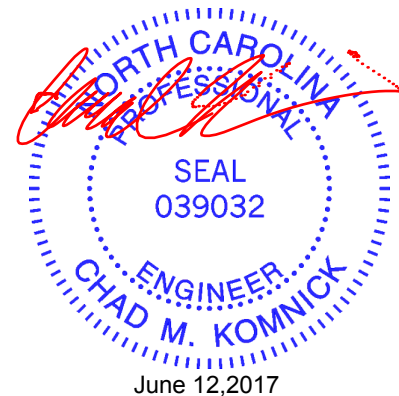
TOP CHORD Structural wood sheathing directly applied, except end verticals, and 2-0-0 oc purlins: C-D.
BOT CHORD Rigid ceiling directly applied.

REACTIONS. (lb/size) B=261/0-3-0, E=164/Mechanical
Max Horz B=99(LC 6)
Max Uplift B=-363(LC 6), E=-232(LC 6)

FORCES. (lb) - Max. Comp./Max. Ten. - All forces 250 (lb) or less except when shown.
TOP CHORD B-C=-170/286
BOT CHORD B-E=-316/134
WEBS C-E=-152/358

NOTES- (10)

- 1) Wind: ASCE 7-05; 130mph; TCDL=6.0psf; BCDL=6.0psf; h=25ft; Cat. II; Exp C; enclosed; MWFRS (low-rise) gable end zone and C-C Exterior(2) zone; cantilever left exposed ; end vertical left exposed; porch left exposed;C-C for members and forces & MWFRS for reactions shown; Lumber DOL=1.60 plate grip DOL=1.60
- 2) This truss has been designed for basic load combinations, which include cases with reductions for multiple concurrent live loads.
- 3) Provide adequate drainage to prevent water ponding.
- 4) This truss has been designed for a 10.0 psf bottom chord live load nonconcurrent with any other live loads.
- 5) * This truss has been designed for a live load of 20.0psf on the bottom chord in all areas where a rectangle 3-6-0 tall by 2-0-0 wide will fit between the bottom chord and any other members.
- 6) Refer to girder(s) for truss to truss connections.
- 7) Provide mechanical connection (by others) of truss to bearing plate capable of withstanding 100 lb uplift at joint(s) except (jt=lb) B=363, E=232.
- 8) This truss design requires that a minimum of 7/16" structural wood sheathing be applied directly to the top chord and 1/2" gypsum sheetrock be applied directly to the bottom chord.
- 9) Graphical purlin representation does not depict the size or the orientation of the purlin along the top and/or bottom chord.
- 10) This manufactured truss is designed as an individual building component. The suitability and use of this component for any particular building is the responsibility of the building designer per ANSI TPI 1 as referenced by the building code.



WARNING - Verify design parameters and READ NOTES ON THIS AND INCLUDED MITEK REFERENCE PAGE MII-7473 rev. 10/03/2015 BEFORE USE.

Design valid for use only with MiTek® connectors. This design is based only upon parameters shown, and is for an individual building component, not a truss system. Before use, the building designer must verify the applicability of design parameters and properly incorporate this design into the overall building design. Bracing indicated is to prevent buckling of individual truss web and/or chord members only. Additional temporary and permanent bracing is always required for stability and to prevent collapse with possible personal injury and property damage. For general guidance regarding the fabrication, storage, delivery, erection and bracing of trusses and truss systems, see **ANSI/TPI1 Quality Criteria, DSB-89 and BCSI Building Component Safety Information** available from Truss Plate Institute, 218 N. Lee Street, Suite 312, Alexandria, VA 22314.

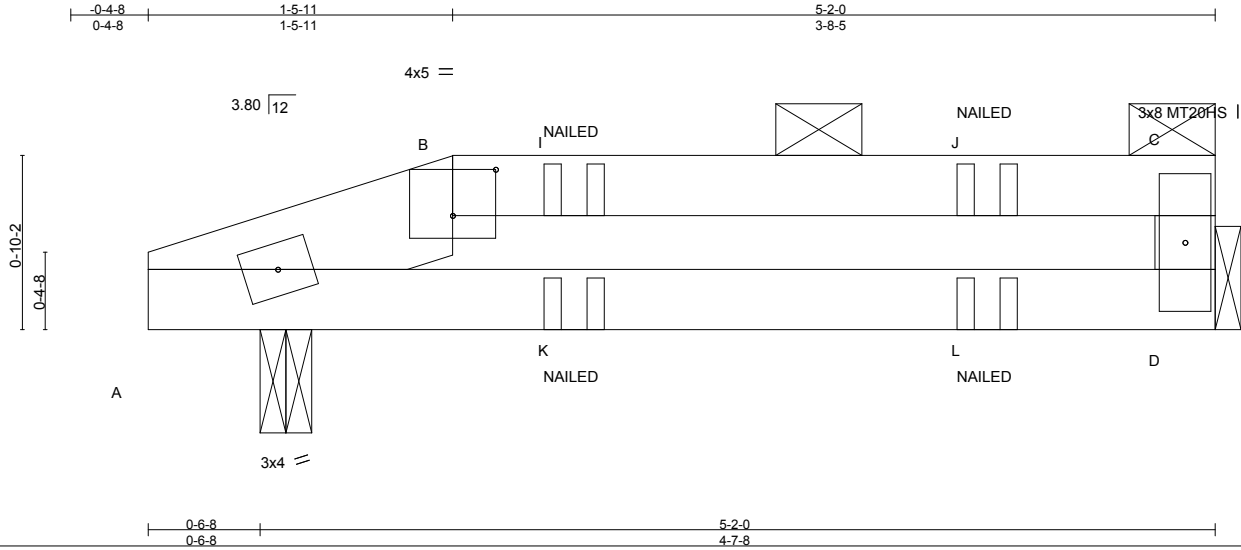
ENGINEERING BY
TRENCO
A MiTek Affiliate

818 Soundside Road
Edenton, NC 27932

Job 1110004_OFA	Truss J08	Truss Type HALF HIP GIRDER	Qty 1	Ply 1	H&H-NC/Topsail/ Job Reference (optional)	130128643
--------------------	--------------	-------------------------------	----------	----------	---	-----------

Builders FirstSource, Sumter, SC 29153

7,640 s Sep 29 2015 MiTek Industries, Inc. Mon Jun 12 13:03:43 2017 Page 1
ID:X87q8Dmm5MnjRaLGAgs0yzEGbe-s4nlQmrlC8f8qfRFCpn6q6gLxRWusDDXUYoHrz70Y_



LOADING (psf)		SPACING-		CSI.		DEFL.		PLATES		GRIP	
TCLL	20.0	Plate Grip DOL	1.15	TC	0.24	Vert(LL)	-0.00	D-F	>999	MT20	244/190
TCDL	10.0	Lumber DOL	1.15	BC	0.17	Vert(TL)	-0.01	D-F	>999	MT20HS	187/143
BCLL	0.0 *	Rep Stress Incr	NO	WB	0.00	Horz(TL)	-0.00	D	n/a		
BCDL	10.0	Code	IRC2009/TP12007	(Matrix-M)		Wind(LL)	0.01	D-F	>999		
										Weight: 17 lb	FT = 20%

LUMBER-		BRACING-	
TOP CHORD	2x6 SP No.2 *Except* B-C: 2x4 SP No.2	TOP CHORD	Structural wood sheathing directly applied or 5-2-0 oc purlins, except end verticals, and 2-0-0 oc purlins: B-C.
BOT CHORD	2x4 SP No.2	BOT CHORD	Rigid ceiling directly applied or 10-0-0 oc bracing.
WEBS	2x4 SP No.2		

REACTIONS. (lb/size) D=175/Mechanical, A=190/0-3-0
Max Horz A=31(LC 4)
Max Uplift D=-245(LC 4), A=-230(LC 4)

FORCES. (lb) - Max. Comp./Max. Ten. - All forces 250 (lb) or less except when shown.
TOP CHORD A-B=-244/327, B-I=-227/326, I-J=-227/326, C-J=-227/326
BOT CHORD A-K=-326/227, K-L=-326/227, D-L=-326/227

- NOTES-** (13)
- 1) Wind: ASCE 7-05; 130mph; TCDL=6.0psf; BCDL=6.0psf; h=25ft; Cat. II; Exp C; enclosed; MWFRS (low-rise) gable end zone; cantilever left exposed; end vertical left exposed; porch left exposed; Lumber DOL=1.60 plate grip DOL=1.60
 - 2) This truss has been designed for basic load combinations, which include cases with reductions for multiple concurrent live loads.
 - 3) Provide adequate drainage to prevent water ponding.
 - 4) All plates are MT20 plates unless otherwise indicated.
 - 5) This truss has been designed for a 10.0 psf bottom chord live load nonconcurrent with any other live loads.
 - 6) * This truss has been designed for a live load of 20.0psf on the bottom chord in all areas where a rectangle 3-6-0 tall by 2-0-0 wide will fit between the bottom chord and any other members.
 - 7) Refer to girder(s) for truss to truss connections.
 - 8) Provide mechanical connection (by others) of truss to bearing plate capable of withstanding 100 lb uplift at joint(s) except (jt=lb) D=245, A=230.
 - 9) "Semi-rigid pitchbreaks including heels" Member end fixity model was used in the analysis and design of this truss.
 - 10) Graphical purlin representation does not depict the size or the orientation of the purlin along the top and/or bottom chord.
 - 11) "NAILED" indicates 3-10d (0.148"x3") or 3-12d (0.148"x3.25") toe-nails. For more details refer to MiTek's ST-TOENAIL Detail.
 - 12) In the LOAD CASE(S) section, loads applied to the face of the truss are noted as front (F) or back (B).
 - 13) This manufactured truss is designed as an individual building component. The suitability and use of this component for any particular building is the responsibility of the building designer per ANSI TPI 1 as referenced by the building code.

LOAD CASE(S) Standard
1) Dead + Roof Live (balanced): Lumber Increase=1.15, Plate Increase=1.15
Uniform Loads (plf)
Vert: B-G=-60, B-C=-60, A-D=-20
Concentrated Loads (lb)
Vert: K=-2(B) L=-2(B)



WARNING - Verify design parameters and READ NOTES ON THIS AND INCLUDED MITEK REFERENCE PAGE MII-7473 rev. 10/03/2015 BEFORE USE.

Design valid for use only with MiTek® connectors. This design is based only upon parameters shown, and is for an individual building component, not a truss system. Before use, the building designer must verify the applicability of design parameters and properly incorporate this design into the overall building design. Bracing indicated is to prevent buckling of individual truss web and/or chord members only. Additional temporary and permanent bracing is always required for stability and to prevent collapse with possible personal injury and property damage. For general guidance regarding the fabrication, storage, delivery, erection and bracing of trusses and truss systems, see **ANSI/TPI1 Quality Criteria, DSB-89 and BCSI Building Component Safety Information** available from Truss Plate Institute, 218 N. Lee Street, Suite 312, Alexandria, VA 22314.

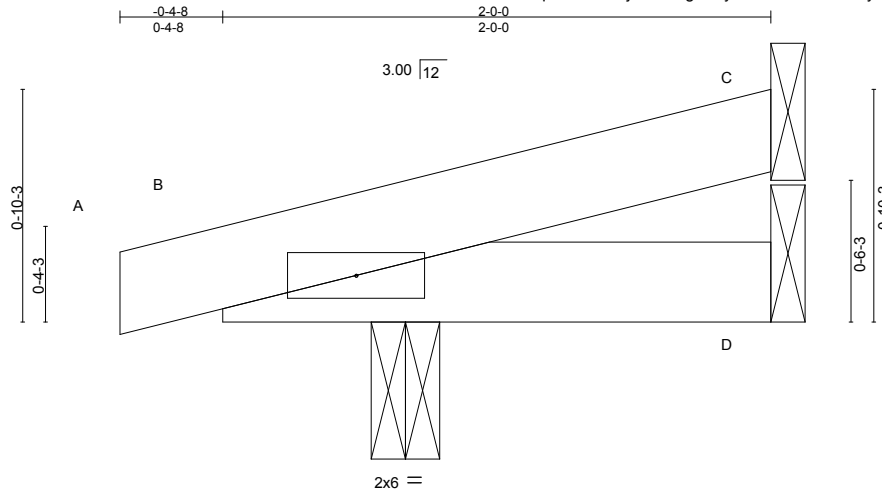
ENGINEERING BY
TRENCO
A MiTek Affiliate

818 Soundside Road
Edenton, NC 27932

Job 1110004_OFA	Truss J09	Truss Type Jack-Open	Qty 2	Ply 1	H&H-NC/Topsail/ Job Reference (optional)	I30128644
--------------------	--------------	-------------------------	----------	----------	---	-----------

Builders FirstSource, Sumter, SC 29153

7.640 s Sep 29 2015 MiTek Industries, Inc. Mon Jun 12 13:03:44 2017 Page 1
ID: X87q8Dmm5MnjRaLGAgDs0yzEGbe-KGL7e6rwySn?So0RIXJLMKCZsrusbvTMM8HMolz70Xz



LOADING (psf)	SPACING-	2-0-0	CSI.	DEFL.	in	(loc)	l/defl	L/d	PLATES	GRIP
TCLL 20.0	Plate Grip DOL	1.15	TC 0.04	Vert(LL)	-0.00	E	>999	360	MT20	244/190
TCDL 10.0	Lumber DOL	1.15	BC 0.05	Vert(TL)	-0.00	I	>999	240		
BCLL 0.0 *	Rep Stress Incr	YES	WB 0.00	Horz(TL)	-0.00	C	n/a	n/a		
BCDL 10.0	Code IRC2009/TPI2007		(Matrix-M)	Wind(LL)	0.00	I	>999	240	Weight: 7 lb	FT = 20%

LUMBER-

TOP CHORD 2x4 SP No.2
BOT CHORD 2x4 SP No.2

BRACING-

TOP CHORD Structural wood sheathing directly applied or 2-0-0 oc purlins.
BOT CHORD Rigid ceiling directly applied or 10-0-0 oc bracing.

REACTIONS. (lb/size) C=28/Mechanical, D=13/Mechanical, B=141/0-3-0

Max Horz B=55(LC 6)
Max Uplift C=-40(LC 6), D=-23(LC 9), B=-198(LC 6)
Max Grav C=28(LC 1), D=21(LC 3), B=141(LC 1)

FORCES. (lb) - Max. Comp./Max. Ten. - All forces 250 (lb) or less except when shown.

NOTES- (8)

- 1) Wind: ASCE 7-05; 130mph; TCDL=6.0psf; BCDL=6.0psf; h=25ft; Cat. II; Exp C; enclosed; MWFRS (low-rise) gable end zone and C-C Exterior(2) zone; cantilever left exposed ; end vertical left exposed; porch left exposed;C-C for members and forces & MWFRS for reactions shown; Lumber DOL=1.60 plate grip DOL=1.60
- 2) This truss has been designed for basic load combinations, which include cases with reductions for multiple concurrent live loads.
- 3) This truss has been designed for a 10.0 psf bottom chord live load nonconcurrent with any other live loads.
- 4) * This truss has been designed for a live load of 20.0psf on the bottom chord in all areas where a rectangle 3-6-0 tall by 2-0-0 wide will fit between the bottom chord and any other members.
- 5) Refer to girder(s) for truss to truss connections.
- 6) Provide mechanical connection (by others) of truss to bearing plate capable of withstanding 100 lb uplift at joint(s) C, D except (jt=lb) B=198.
- 7) "Semi-rigid pitchbreaks including heels" Member end fixity model was used in the analysis and design of this truss.
- 8) This manufactured truss is designed as an individual building component. The suitability and use of this component for any particular building is the responsibility of the building designer per ANSI TPI 1 as referenced by the building code.



WARNING - Verify design parameters and READ NOTES ON THIS AND INCLUDED MITEK REFERENCE PAGE MII-7473 rev. 10/03/2015 BEFORE USE.

Design valid for use only with MiTek® connectors. This design is based only upon parameters shown, and is for an individual building component, not a truss system. Before use, the building designer must verify the applicability of design parameters and properly incorporate this design into the overall building design. Bracing indicated is to prevent buckling of individual truss web and/or chord members only. Additional temporary and permanent bracing is always required for stability and to prevent collapse with possible personal injury and property damage. For general guidance regarding the fabrication, storage, delivery, erection and bracing of trusses and truss systems, see **ANSI/TPI1 Quality Criteria, DSB-89 and BCSI Building Component Safety Information** available from Truss Plate Institute, 218 N. Lee Street, Suite 312, Alexandria, VA 22314.



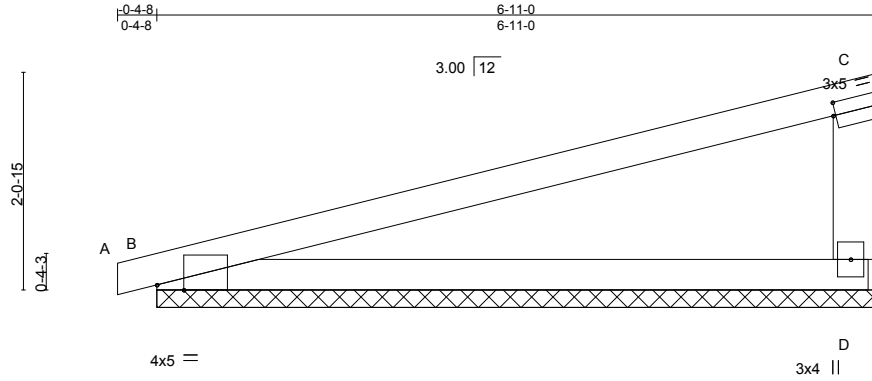
818 Soundside Road
Edenton, NC 27932

Job 1110004_OFA	Truss J10	Truss Type GABLE	Qty 1	Ply 1	H&H-NC/Topsail/ Job Reference (optional)	130128645
--------------------	--------------	---------------------	----------	----------	---	-----------

Builders FirstSource, Sumter, SC 29153

7.640 s Sep 29 2015 MiTek Industries, Inc. Mon Jun 12 13:03:44 2017 Page 1

ID:X87q8Dmm5MnjRaLGAgs0yzEGbe-KGL7e6rwySn?So0RIXJLMKCNgro5bvTMm8HMolz70Xz



Scale = 1:22.0

Plate Offsets (X,Y)-- [B:0-3-1,Edge], [C:0-0-5,0-1-8]

LOADING (psf)	SPACING-	2-0-0	CSI.	DEFL.	in (loc)	l/defl	L/d	PLATES	GRIP
TCLL 20.0	Plate Grip DOL	1.15	TC 0.82	Vert(LL)	0.01	A	n/r	MT20	244/190
TCDL 10.0	Lumber DOL	1.15	BC 0.42	Vert(TL)	0.02	A	n/r		
BCLL 0.0 *	Rep Stress Incr	YES	WB 0.00	Horz(TL)	0.00	D	n/a		
BCDL 10.0	Code IRC2009/TPI2007		(Matrix)						
								Weight: 25 lb	FT = 20%

LUMBER-	BRACING-
TOP CHORD 2x4 SP No.2	TOP CHORD Structural wood sheathing directly applied or 6-0-0 oc purlins, except end verticals.
BOT CHORD 2x4 SP No.2	BOT CHORD Rigid ceiling directly applied or 10-0-0 oc bracing.
WEBS 2x6 SP No.2	

REACTIONS. (lb/size) D=267/6-11-0, B=291/6-11-0
Max Horz B=155(LC 6)
Max Uplift D=-228(LC 6), B=-233(LC 6)

FORCES. (lb) - Max. Comp./Max. Ten. - All forces 250 (lb) or less except when shown.
TOP CHORD C-D=-178/363

- NOTES-** (10)
- 1) Wind: ASCE 7-05; 130mph; TC DL=6.0psf; BC DL=6.0psf; h=25ft; Cat. II; Exp C; enclosed; MWFRS (low-rise) gable end zone and C-C Exterior(2) zone; end vertical left exposed; C-C for members and forces & MWFRS for reactions shown; Lumber DOL=1.60 plate grip DOL=1.60
 - 2) Truss designed for wind loads in the plane of the truss only. For studs exposed to wind (normal to the face), see Standard Industry Gable End Details as applicable, or consult qualified building designer as per ANSI/TPI 1.
 - 3) This truss has been designed for basic load combinations, which include cases with reductions for multiple concurrent live loads.
 - 4) Gable requires continuous bottom chord bearing.
 - 5) Gable studs spaced at 2-0-0 oc.
 - 6) This truss has been designed for a 10.0 psf bottom chord live load nonconcurrent with any other live loads.
 - 7) * This truss has been designed for a live load of 20.0psf on the bottom chord in all areas where a rectangle 3-6-0 tall by 2-0-0 wide will fit between the bottom chord and any other members.
 - 8) Provide mechanical connection (by others) of truss to bearing plate capable of withstanding 100 lb uplift at joint(s) except (jt=lb) D=228, B=233.
 - 9) "Semi-rigid pitchbreaks including heels" Member end fixity model was used in the analysis and design of this truss.
 - 10) This manufactured truss is designed as an individual building component. The suitability and use of this component for any particular building is the responsibility of the building designer per ANSI TPI 1 as referenced by the building code.



WARNING - Verify design parameters and READ NOTES ON THIS AND INCLUDED MITEK REFERENCE PAGE MII-7473 rev. 10/03/2015 BEFORE USE.

Design valid for use only with MiTek® connectors. This design is based only upon parameters shown, and is for an individual building component, not a truss system. Before use, the building designer must verify the applicability of design parameters and properly incorporate this design into the overall building design. Bracing indicated is to prevent buckling of individual truss web and/or chord members only. Additional temporary and permanent bracing is always required for stability and to prevent collapse with possible personal injury and property damage. For general guidance regarding the fabrication, storage, delivery, erection and bracing of trusses and truss systems, see **ANSI/TPI1 Quality Criteria, DSB-89 and BCSI Building Component Safety Information** available from Truss Plate Institute, 218 N. Lee Street, Suite 312, Alexandria, VA 22314.

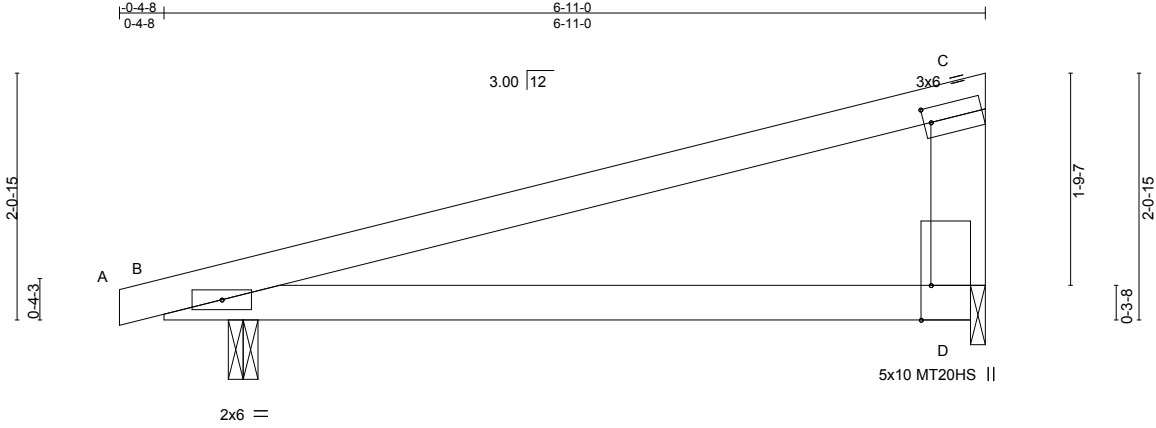
ENGINEERING BY
TRENCO
A MiTek Affiliate

818 Soundside Road
Edenton, NC 27932

Job 1110004_OFA	Truss J11	Truss Type Monopitch	Qty 10	Ply 1	H&H-NC/Topsail/ Job Reference (optional)	130128646
--------------------	--------------	-------------------------	-----------	----------	---	-----------

Builders FirstSource, Sumter, SC 29153

7.640 s Sep 29 2015 MiTek Industries, Inc. Mon Jun 12 13:03:45 2017 Page 1
ID:X87q8Dmm5MnjRaLGAgs0yzEGbe-oSuWrSsYjvs4yadJEqavXlamF5MKmJW_o1vKkz70Xy



LOADING (psf)		SPACING-		CSI.		DEFL.		PLATES		GRIP	
TCLL	20.0	Plate Grip DOL	1.15	TC	0.67	Vert(LL)	-0.03 D-I >999	360	MT20	244/190	
TCDL	10.0	Lumber DOL	1.15	BC	0.55	Vert(TL)	-0.08 D-I >998	240	MT20HS	187/143	
BCLL	0.0 *	Rep Stress Incr	YES	WB	0.00	Horz(TL)	-0.01 B n/a	n/a	Weight: 25 lb FT = 20%		
BCLD	10.0	Code	IRC2009/TPI2007	(Matrix-S)		Wind(LL)	0.15 D-I >522	240			

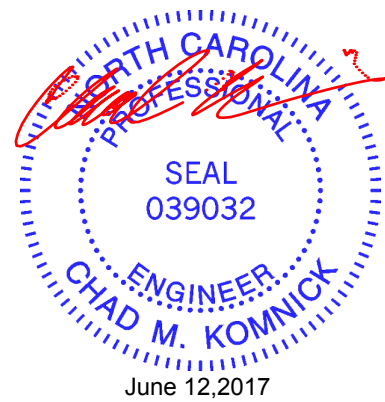
LUMBER-
TOP CHORD 2x4 SP No.2
BOT CHORD 2x4 SP No.2
WEBS 2x6 SP No.2

BRACING-
TOP CHORD Structural wood sheathing directly applied, except end verticals.
BOT CHORD Rigid ceiling directly applied.

REACTIONS. (lb/size) B=326/0-3-0, D=231/0-1-8
Max Horz B=157(LC 6)
Max Uplift B=441(LC 6), D=337(LC 6)

FORCES. (lb) - Max. Comp./Max. Ten. - All forces 250 (lb) or less except when shown.
TOP CHORD B-C=-178/314, C-D=-152/302
BOT CHORD B-D=-400/136

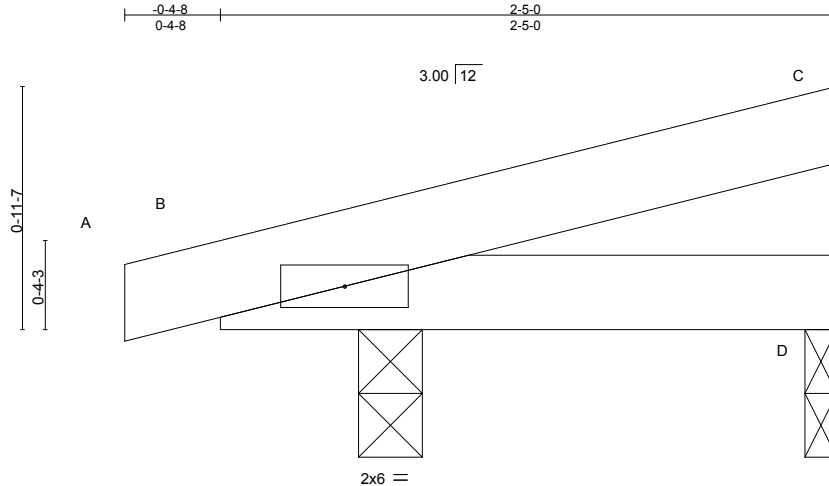
- NOTES-** (10)
- 1) Wind: ASCE 7-05; 130mph; TC DL=6.0psf; BC DL=6.0psf; h=25ft; Cat. II; Exp C; enclosed; MWFRS (low-rise) gable end zone and C-C Exterior(2) zone; cantilever left exposed; end vertical left exposed; porch left exposed; C-C for members and forces & MWFRS for reactions shown; Lumber DOL=1.60 plate grip DOL=1.60
 - 2) This truss has been designed for basic load combinations, which include cases with reductions for multiple concurrent live loads.
 - 3) All plates are MT20 plates unless otherwise indicated.
 - 4) This truss has been designed for a 10.0 psf bottom chord live load nonconcurrent with any other live loads.
 - 5) * This truss has been designed for a live load of 20.0psf on the bottom chord in all areas where a rectangle 3-6-0 tall by 2-0-0 wide will fit between the bottom chord and any other members.
 - 6) Bearing at joint(s) D considers parallel to grain value using ANSI/TPI 1 angle to grain formula. Building designer should verify capacity of bearing surface.
 - 7) Provide mechanical connection (by others) of truss to bearing plate at joint(s) D.
 - 8) Provide mechanical connection (by others) of truss to bearing plate capable of withstanding 100 lb uplift at joint(s) except (jt=lb) B=441, D=337.
 - 9) This truss design requires that a minimum of 7/16" structural wood sheathing be applied directly to the top chord and 1/2" gypsum sheetrock be applied directly to the bottom chord.
 - 10) This manufactured truss is designed as an individual building component. The suitability and use of this component for any particular building is the responsibility of the building designer per ANSI TPI 1 as referenced by the building code.



Job 1110004_OFA	Truss J12	Truss Type Monopitch	Qty 1	Ply 1	H&H-NC/Topsail/ Job Reference (optional)	I30128647
--------------------	--------------	-------------------------	----------	----------	---	-----------

Builders FirstSource, Sumter, SC 29153

7.640 s Sep 29 2015 MiTek Industries, Inc. Mon Jun 12 13:03:45 2017 Page 1
ID:X87q8Dmm5MnjRaLGAgs0yzEGbe-oSuWrSsYjivs4yadJEqavXlhRF9jKjW_o1vKkz70Xy



Scale = 1:9.0

LOADING (psf)	SPACING-	CSI.	DEFL.	in (loc)	l/defl	L/d	PLATES	GRIP
TCLL 20.0	2-0-0	TC 0.24	Vert(LL) -0.00	I	>999	360	MT20	244/190
TCDL 10.0	Plate Grip DOL 1.15	BC 0.27	Vert(TL) -0.00	D-I	>999	240		
BCLL 0.0 *	Lumber DOL 1.15	WB 0.00	Horz(TL) -0.00	B	n/a	n/a		
BCDL 10.0	Rep Stress Incr YES	(Matrix-M)	Wind(LL) 0.01	D-I	>999	240	Weight: 8 lb	FT = 20%
	Code IRC2009/TPI2007							

LUMBER-

TOP CHORD 2x4 SP No.2
BOT CHORD 2x4 SP No.2

BRACING-

TOP CHORD Structural wood sheathing directly applied or 2-5-0 oc purlins.
BOT CHORD Rigid ceiling directly applied or 10-0-0 oc bracing.

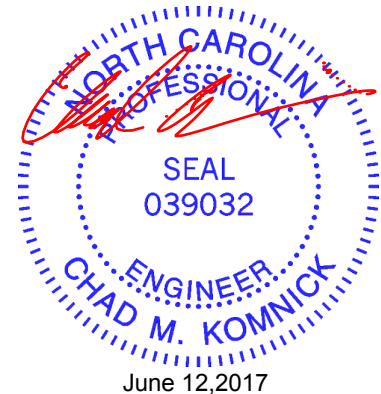
REACTIONS. (lb/size)

D=57/0-1-8, B=158/0-3-0
Max Horz B=59(LC 6)
Max Uplift D=-74(LC 6), B=-213(LC 6)

FORCES. (lb) - Max. Comp./Max. Ten. - All forces 250 (lb) or less except when shown.

NOTES- (8)

- 1) Wind: ASCE 7-05; 130mph; TCDL=6.0psf; BCDL=6.0psf; h=25ft; Cat. II; Exp C; enclosed; MWFRS (low-rise) gable end zone and C-C Exterior(2) zone; cantilever left exposed; end vertical left exposed; porch left exposed; C-C for members and forces & MWFRS for reactions shown; Lumber DOL=1.60 plate grip DOL=1.60
- 2) This truss has been designed for basic load combinations, which include cases with reductions for multiple concurrent live loads.
- 3) This truss has been designed for a 10.0 psf bottom chord live load nonconcurrent with any other live loads.
- 4) * This truss has been designed for a live load of 20.0psf on the bottom chord in all areas where a rectangle 3-6-0 tall by 2-0-0 wide will fit between the bottom chord and any other members.
- 5) Provide mechanical connection (by others) of truss to bearing plate at joint(s) D.
- 6) Provide mechanical connection (by others) of truss to bearing plate capable of withstanding 100 lb uplift at joint(s) D except (jt=lb) B=213.
- 7) "Semi-rigid pitchbreaks including heels" Member end fixity model was used in the analysis and design of this truss.
- 8) This manufactured truss is designed as an individual building component. The suitability and use of this component for any particular building is the responsibility of the building designer per ANSI TPI 1 as referenced by the building code.



WARNING - Verify design parameters and READ NOTES ON THIS AND INCLUDED MITEK REFERENCE PAGE MII-7473 rev. 10/03/2015 BEFORE USE.

Design valid for use only with MiTek® connectors. This design is based only upon parameters shown, and is for an individual building component, not a truss system. Before use, the building designer must verify the applicability of design parameters and properly incorporate this design into the overall building design. Bracing indicated is to prevent buckling of individual truss web and/or chord members only. Additional temporary and permanent bracing is always required for stability and to prevent collapse with possible personal injury and property damage. For general guidance regarding the fabrication, storage, delivery, erection and bracing of trusses and truss systems, see **ANSI/TPI1 Quality Criteria, DSB-89 and BCSI Building Component Safety Information** available from Truss Plate Institute, 218 N. Lee Street, Suite 312, Alexandria, VA 22314.

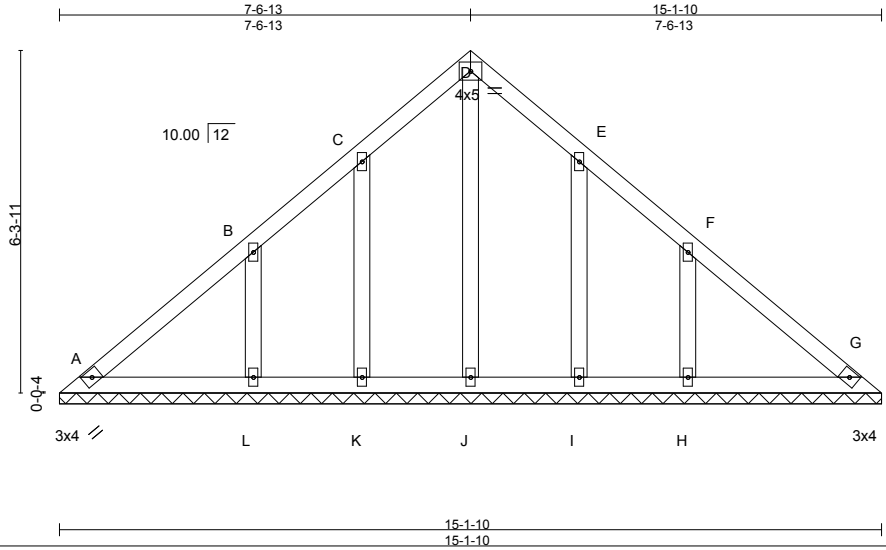


818 Soundside Road
Edenton, NC 27932

Job 1110004_OFA	Truss V01	Truss Type GABLE	Qty 2	Ply 1	H&H-NC/Topsail/ 130128648
--------------------	--------------	---------------------	----------	----------	------------------------------

Builders FirstSource, Sumter, SC 29153

7.640 s Sep 29 2015 MiTek Industries, Inc. Mon Jun 12 13:03:46 2017 Page 1
ID:X87q8Dmm5MnjRaLGAgs0yzEGbe-GfSu3ntAU31jh69ptxLpSlit9fYX3npfDmSsAz70Xx



Scale = 1:42.4

LOADING (psf)	SPACING-	CSI.	DEFL.	PLATES	GRIP
TCLL 20.0	2-0-0	TC 0.18	in (loc) l/defl L/d	MT20	244/190
TCDL 10.0	Plate Grip DOL 1.15	BC 0.11	Vert(LL) n/a - n/a 999		
BCLL 0.0 *	Lumber DOL 1.15	WB 0.14	Vert(TL) n/a - n/a 999		
BCDL 10.0	Rep Stress Incr YES	(Matrix)	Horz(TL) 0.01 G n/a n/a	Weight: 78 lb	FT = 20%
	Code IRC2009/TPI2007				

LUMBER-

TOP CHORD 2x4 SP No.2
BOT CHORD 2x4 SP No.2
OTHERS 2x4 SP No.3

BRACING-

TOP CHORD Structural wood sheathing directly applied or 6-0-0 oc purlins.
BOT CHORD Rigid ceiling directly applied or 10-0-0 oc bracing.

REACTIONS.

All bearings 15-1-10.
(lb) - Max Horz A=-391(LC 6)
Max Uplift All uplift 100 lb or less at joint(s) A, G except K=-199(LC 8), L=-399(LC 8), I=-197(LC 9), H=-399(LC 9)
Max Grav All reactions 250 lb or less at joint(s) A, G, J, K, I except L=258(LC 1), H=258(LC 1)

FORCES. (lb) - Max. Comp./Max. Ten. - All forces 250 (lb) or less except when shown.

TOP CHORD A-B=-323/225, C-D=-65/282, D-E=-65/280
BOT CHORD A-L=-82/254, K-L=-82/254, J-K=-82/254, I-J=-82/254, H-I=-82/254, G-H=-82/254
WEBS B-L=-185/411, F-H=-185/412

NOTES- (10)

- 1) Unbalanced roof live loads have been considered for this design.
- 2) Wind: ASCE 7-05; 130mph; TCDL=6.0psf; BCDL=6.0psf; h=25ft; Cat. II; Exp C; enclosed; MWFRS (low-rise) gable end zone and C-C Exterior(2) zone; end vertical left and right exposed; C-C for members and forces & MWFRS for reactions shown; Lumber DOL=1.60 plate grip DOL=1.60
- 3) This truss has been designed for basic load combinations, which include cases with reductions for multiple concurrent live loads.
- 4) All plates are 2x4 MT20 unless otherwise indicated.
- 5) Gable requires continuous bottom chord bearing.
- 6) This truss has been designed for a 10.0 psf bottom chord live load nonconcurrent with any other live loads.
- 7) * This truss has been designed for a live load of 20.0psf on the bottom chord in all areas where a rectangle 3-6-0 tall by 2-0-0 wide will fit between the bottom chord and any other members.
- 8) Provide mechanical connection (by others) of truss to bearing plate capable of withstanding 100 lb uplift at joint(s) A, G except (jt=L) K=199, L=399, I=197, H=399.
- 9) "Semi-rigid pitchbreaks including heels" Member end fixity model was used in the analysis and design of this truss.
- 10) This manufactured truss is designed as an individual building component. The suitability and use of this component for any particular building is the responsibility of the building designer per ANSI TPI 1 as referenced by the building code.



June 12, 2017

WARNING - Verify design parameters and READ NOTES ON THIS AND INCLUDED MITEK REFERENCE PAGE MII-7473 rev. 10/03/2015 BEFORE USE.

Design valid for use only with MiTek® connectors. This design is based only upon parameters shown, and is for an individual building component, not a truss system. Before use, the building designer must verify the applicability of design parameters and properly incorporate this design into the overall building design. Bracing indicated is to prevent buckling of individual truss web and/or chord members only. Additional temporary and permanent bracing is always required for stability and to prevent collapse with possible personal injury and property damage. For general guidance regarding the fabrication, storage, delivery, erection and bracing of trusses and truss systems, see **ANSI/TPI1 Quality Criteria, DSB-89 and BCSI Building Component Safety Information** available from Truss Plate Institute, 218 N. Lee Street, Suite 312, Alexandria, VA 22314.

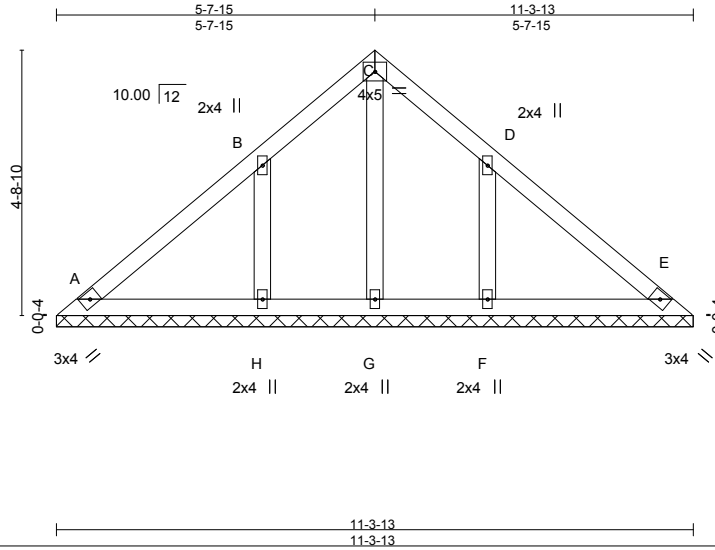


818 Soundside Road
Edenton, NC 27932

Job 1110004_OFA	Truss V02	Truss Type GABLE	Qty 1	Ply 1	H&H-NC/Topsail/ Job Reference (optional)	130128649
--------------------	--------------	---------------------	----------	----------	---	-----------

Builders FirstSource, Sumter, SC 29153

7.640 s Sep 29 2015 MiTek Industries, Inc. Mon Jun 12 13:03:46 2017 Page 1
ID:X87q8Dmm5MnjRaLGAgDs0yzEGbe-GfSu3ntAU31jh69ptxLpSllsifYd3nzfDSmSsAz70Xx



Scale = 1:41.0

LOADING (psf)	SPACING-	2-0-0	CSI.	DEFL.	in (loc)	l/defl	L/d	PLATES	GRIP
TCLL 20.0	Plate Grip DOL	1.15	TC 0.21	Vert(LL)	n/a	-	n/a	MT20	244/190
TCDL 10.0	Lumber DOL	1.15	BC 0.10	Vert(TL)	n/a	-	n/a		
BCLL 0.0 *	Rep Stress Incr	YES	WB 0.13	Horz(TL)	0.00	E	n/a		
BCDL 10.0	Code IRC2009/TPI2007		(Matrix)					Weight: 51 lb	FT = 20%

LUMBER-

TOP CHORD 2x4 SP No.2
BOT CHORD 2x4 SP No.2
OTHERS 2x4 SP No.3

BRACING-

TOP CHORD Structural wood sheathing directly applied or 6-0-0 oc purlins.
BOT CHORD Rigid ceiling directly applied or 10-0-0 oc bracing.

REACTIONS. All bearings 11-3-13.

(lb) - Max Horz A=-287(LC 6)
Max Uplift All uplift 100 lb or less at joint(s) A, E except H=-419(LC 8), F=-418(LC 9)
Max Grav All reactions 250 lb or less at joint(s) A, E, G except H=275(LC 1), F=275(LC 1)

FORCES. (lb) - Max. Comp./Max. Ten. - All forces 250 (lb) or less except when shown.

WEBS B-H=-197/431, D-F=-197/431

NOTES- (9)

- 1) Unbalanced roof live loads have been considered for this design.
- 2) Wind: ASCE 7-05; 130mph; TCDL=6.0psf; BCDL=6.0psf; h=25ft; Cat. II; Exp C; enclosed; MWFRS (low-rise) gable end zone and C-C Exterior(2) zone; end vertical left and right exposed;C-C for members and forces & MWFRS for reactions shown; Lumber DOL=1.60 plate grip DOL=1.60
- 3) This truss has been designed for basic load combinations, which include cases with reductions for multiple concurrent live loads.
- 4) Gable requires continuous bottom chord bearing.
- 5) This truss has been designed for a 10.0 psf bottom chord live load nonconcurrent with any other live loads.
- 6) * This truss has been designed for a live load of 20.0psf on the bottom chord in all areas where a rectangle 3-6-0 tall by 2-0-0 wide will fit between the bottom chord and any other members.
- 7) Provide mechanical connection (by others) of truss to bearing plate capable of withstanding 100 lb uplift at joint(s) A, E except (jt=lb) H=419, F=418.
- 8) "Semi-rigid pitchbreaks including heels" Member end fixity model was used in the analysis and design of this truss.
- 9) This manufactured truss is designed as an individual building component. The suitability and use of this component for any particular building is the responsibility of the building designer per ANSI TPI 1 as referenced by the building code.



June 12, 2017

WARNING - Verify design parameters and READ NOTES ON THIS AND INCLUDED MITEK REFERENCE PAGE MII-7473 rev. 10/03/2015 BEFORE USE.

Design valid for use only with MiTek® connectors. This design is based only upon parameters shown, and is for an individual building component, not a truss system. Before use, the building designer must verify the applicability of design parameters and properly incorporate this design into the overall building design. Bracing indicated is to prevent buckling of individual truss web and/or chord members only. Additional temporary and permanent bracing is always required for stability and to prevent collapse with possible personal injury and property damage. For general guidance regarding the fabrication, storage, delivery, erection and bracing of trusses and truss systems, see **ANSI/TPI1 Quality Criteria, DSB-89 and BCSI Building Component Safety Information** available from Truss Plate Institute, 218 N. Lee Street, Suite 312, Alexandria, VA 22314.



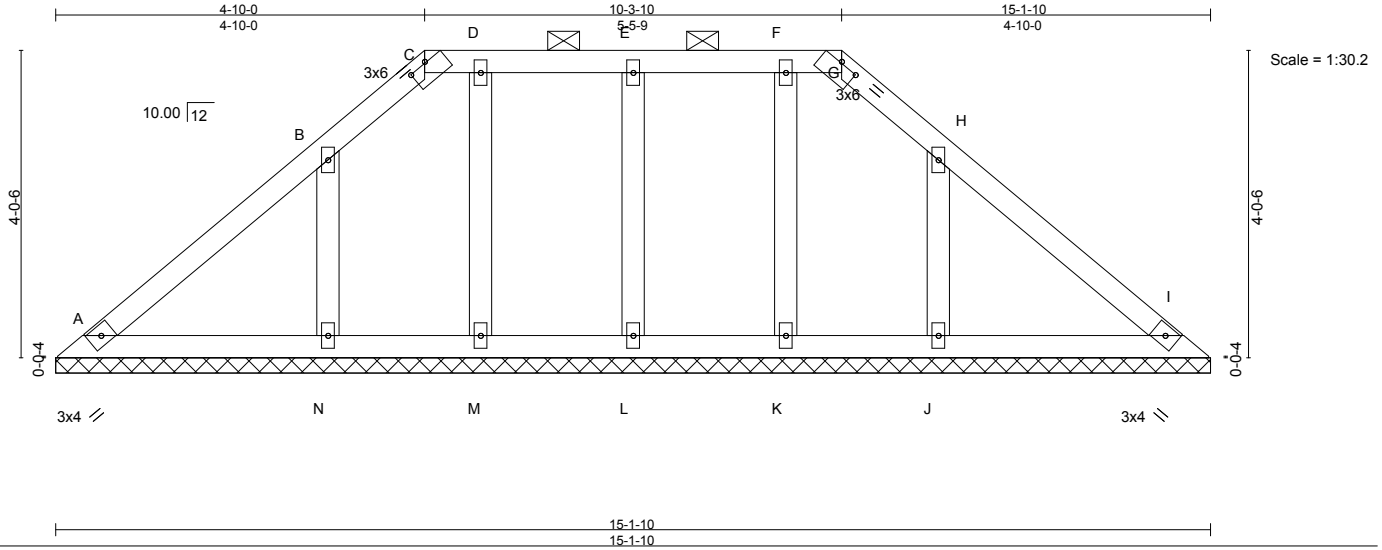
818 Soundside Road
Edenton, NC 27932

Job 1110004_OFA	Truss V03	Truss Type GABLE	Qty 1	Ply 1	H&H-NC/Topsail/ Job Reference (optional)	130128650
--------------------	--------------	---------------------	----------	----------	---	-----------

Builders FirstSource, Sumter, SC 29153

7.640 s Sep 29 2015 MiTek Industries, Inc. Mon Jun 12 13:03:47 2017 Page 1

ID:X87q8Dmm5MnjRaLGAgs0yzEGbe-kr0GG7uoFN9aJGk0Rfs2_yq2u2uo0FPoS6W0Pcz70Xw



LOADING (psf)		SPACING-		CSI.		DEFL.		PLATES		GRIP	
TCLL	20.0	Plate Grip DOL	1.15	TC	0.18	Vert(LL)	n/a - n/a	999	MT20	244/190	
TCDL	10.0	Lumber DOL	1.15	BC	0.10	Vert(TL)	n/a - n/a	999			
BCLL	0.0 *	Rep Stress Incr	YES	WB	0.12	Horz(TL)	0.01	n/a			
BCDL	10.0	Code	IRC2009/TPI2007	(Matrix)							
									Weight: 70 lb	FT = 20%	

LUMBER-		BRACING-	
TOP CHORD	2x4 SP No.2	TOP CHORD	Structural wood sheathing directly applied or 6-0-0 oc purlins, except 2-0-0 oc purlins (6-0-0 max.): C-G.
BOT CHORD	2x4 SP No.2	BOT CHORD	Rigid ceiling directly applied or 6-0-0 oc bracing.
OTHERS	2x4 SP No.3		

REACTIONS. All bearings 15-1-10.
 (lb) - Max Horz A=-245(LC 6)
 Max Uplift All uplift 100 lb or less at joint(s) A except L=-187(LC 6), M=-111(LC 7), N=-377(LC 8), K=-120(LC 7), J=-372(LC 9)
 Max Grav All reactions 250 lb or less at joint(s) A, I, L, M, K except N=259(LC 1), J=259(LC 1)

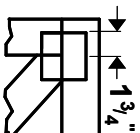
FORCES. (lb) - Max. Comp./Max. Ten. - All forces 250 (lb) or less except when shown.
 WEBS B-N=-186/389, H-J=-186/384

- NOTES-** (12)
- Unbalanced roof live loads have been considered for this design.
 - Wind: ASCE 7-05; 130mph; TCDL=6.0psf; BCDL=6.0psf; h=25ft; Cat. II; Exp C; enclosed; MWFRS (low-rise) gable end zone and C-C Exterior(2) zone; end vertical left and right exposed; C-C for members and forces & MWFRS for reactions shown; Lumber DOL=1.60 plate grip DOL=1.60
 - This truss has been designed for basic load combinations, which include cases with reductions for multiple concurrent live loads.
 - Provide adequate drainage to prevent water ponding.
 - All plates are 2x4 MT20 unless otherwise indicated.
 - Gable requires continuous bottom chord bearing.
 - This truss has been designed for a 10.0 psf bottom chord live load nonconcurrent with any other live loads.
 - * This truss has been designed for a live load of 20.0psf on the bottom chord in all areas where a rectangle 3-6-0 tall by 2-0-0 wide will fit between the bottom chord and any other members.
 - Provide mechanical connection (by others) of truss to bearing plate capable of withstanding 100 lb uplift at joint(s) A except (jt=lb) L=187, M=111, N=377, K=120, J=372.
 - "Semi-rigid pitchbreaks including heels" Member end fixity model was used in the analysis and design of this truss.
 - Graphical purlin representation does not depict the size or the orientation of the purlin along the top and/or bottom chord.
 - This manufactured truss is designed as an individual building component. The suitability and use of this component for any particular building is the responsibility of the building designer per ANSI TPI 1 as referenced by the building code.

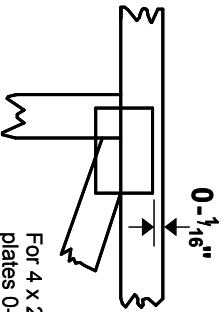


Symbols

PLATE LOCATION AND ORIENTATION



Center plate on joint unless x, y offsets are indicated. Dimensions are in ft.-in.-sixteenths. Apply plates to both sides of truss and fully embed teeth.



For 4 x 2 orientation, locate plates 0- $\frac{1}{16}$ " from outside edge of truss.



This symbol indicates the required direction of slots in connector plates.

* Plate location details available in **MITek 2020 software** or upon request.

PLATE SIZE

4 X 4

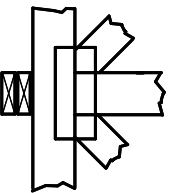
The first dimension is the plate width measured perpendicular to slots. Second dimension is the length parallel to slots.

LATERAL BRACING LOCATION



Indicated by symbol shown and/or by text in the bracing section of the output. Use T or I bracing if indicated.

BEARING



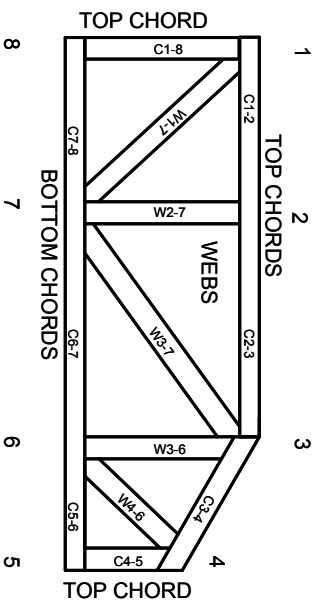
Indicates location where bearings (supports) occur. Icons vary but reaction section indicates joint number where bearings occur. Min size shown is for crushing only.

Industry Standards:

ANSI/TP11: National Design Specification for Metal Plate Connected Wood Truss Construction.
DSB-89: Design Standard for Bracing.
BCSI: Building Component Safety Information, Guide to Good Practice for Handling, Installing & Bracing of Metal Plate Connected Wood Trusses.

Numbering System

6-4-8 dimensions shown in ft.-in.-sixteenths (Drawings not to scale)



JOINTS ARE GENERALLY NUMBERED/LETTERED CLOCKWISE AROUND THE TRUSS STARTING AT THE JOINT FARTHEST TO THE LEFT.

CHORDS AND WEBS ARE IDENTIFIED BY END JOINT NUMBERS/LETTERS.

PRODUCT CODE APPROVALS

ICC-ES Reports:

ESR-1311, ESR-1352, ESR1988
ER-3907, ESR-2362, ESR-1397, ESR-3282

Trusses are designed for wind loads in the plane of the truss unless otherwise shown.

Lumber design values are in accordance with ANSI/TP1 section 6.3. These truss designs rely on lumber values established by others.

© 2012 MITek® All Rights Reserved



MITek Engineering Reference Sheet: Mill-7473 rev. 10/03/2015

General Safety Notes

Failure to Follow Could Cause Property Damage or Personal Injury

1. Additional stability bracing for truss system, e.g. diagonal or X-bracing, is always required. See BCSI.
2. Truss bracing must be designed by an engineer. For wide truss spacing, individual lateral braces themselves may require bracing, or alternative Tor-I bracing should be considered.
3. Never exceed the design loading shown and never stack materials on inadequately braced trusses.
4. Provide copies of this truss design to the building designer, erection supervisor, property owner and all other interested parties.
5. Cut members to bear tightly against each other.
6. Place plates on each face of truss at each joint and embed fully. Knots and wane at joint locations are regulated by ANSI/TP1 1.
7. Design assumes trusses will be suitably protected from the environment in accord with ANSI/TP1 1.
8. Unless otherwise noted, moisture content of lumber shall not exceed 19% at time of fabrication.
9. Unless expressly noted, this design is not applicable for use with fire retardant, preservative treated, or green lumber.
10. Camber is a non-structural consideration and is the responsibility of truss fabricator. General practice is to camber for dead load deflection.
11. Plate type, size, orientation and location dimensions indicated are minimum plating requirements.
12. Lumber used shall be of the species and size, and in all respects, equal to or better than that specified.
13. Top chords must be sheathed or purlins provided at spacing indicated on design.
14. Bottom chords require lateral bracing at 10 ft. spacing, or less, if no ceiling is installed, unless otherwise noted.
15. Connections not shown are the responsibility of others.
16. Do not cut or alter truss member or plate without prior approval of an engineer.
17. Install and load vertically unless indicated otherwise.
18. Use of green or treated lumber may pose unacceptable environmental, health or performance risks. Consult with project engineer before use.
19. Review all portions of this design (front, back, words and pictures) before use. Reviewing pictures alone is not sufficient.
20. Design assumes manufacture in accordance with ANSI/TP1 1 Quality Criteria.