

Trenco

818 Soundside Rd
Edenton, NC 27932

Re: B0318-0842
Prelude A

The truss drawing(s) referenced below have been prepared by Truss Engineering Co. under my direct supervision based on the parameters provided by Comtech, Inc - Fayetteville.

Pages or sheets covered by this seal: E11514094 thru E11514112

My license renewal date for the state of North Carolina is December 31, 2018.

North Carolina COA: C-0844



March 5, 2018

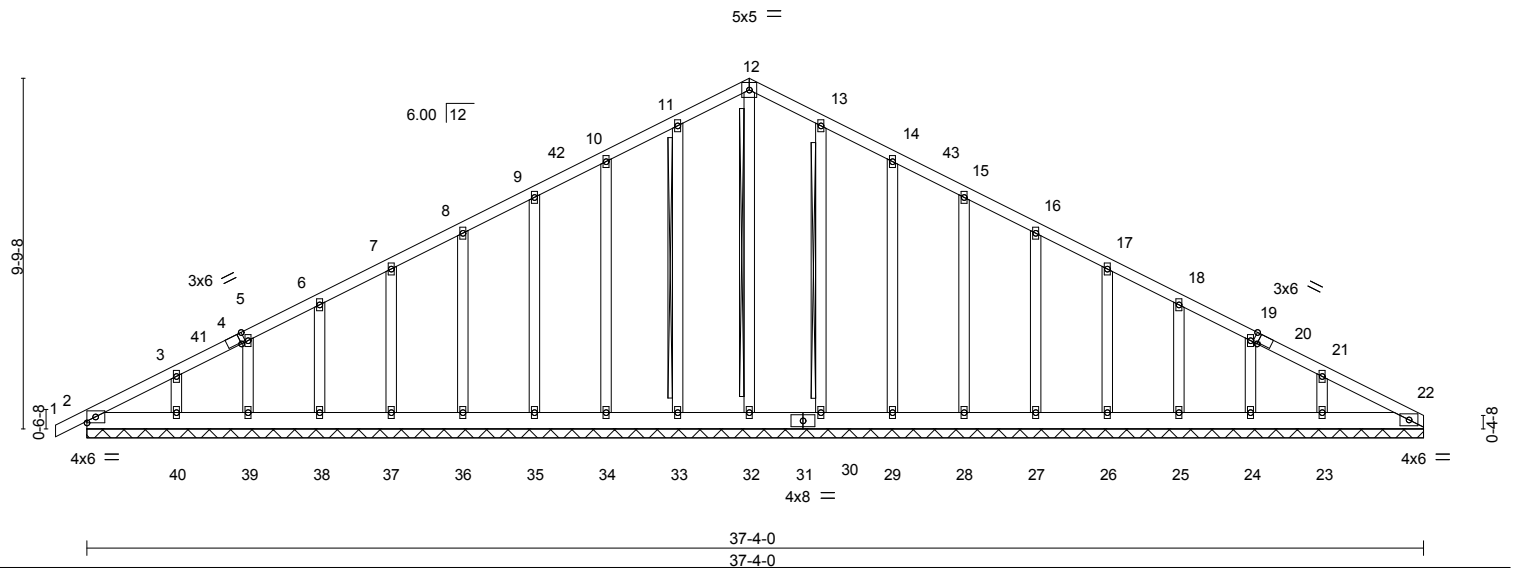
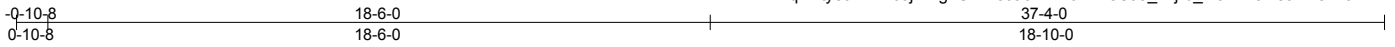
Lassiter, Frank

IMPORTANT NOTE: Truss Engineer's responsibility is solely for design of individual trusses based upon design parameters shown on referenced truss drawings. Parameters have not been verified as appropriate for any use. Any location identification specified is for file reference only and has not been used in preparing design. Suitability of truss designs for any particular building is the responsibility of the building designer, not the Truss Engineer, per ANSI/TPI-1, Chapter 2.

Job B0318-0842	Truss A1	Truss Type COMMON SUPPORTED GAB	Qty 1	Ply 1	Prelude A	E11514094
-------------------	-------------	------------------------------------	----------	----------	-----------	-----------

Comtech, Inc., Fayetteville, NC 28309

8.130 s Sep 15 2017 MiTek Industries, Inc. Mon Mar 5 08:42:40 2018 Page 1
ID:qBVty8JxTR2c0jvIHgLUvLzeJa3-41RoN?xeCJ8_2vjrB_rzaBvLaHs9PA8FiiOW12ze0sT



LOADING (psf)		SPACING-		CSI.		DEFL.				PLATES	GRIP	
TCLL	20.0	Plate Grip DOL	1.15	TC	0.09	Vert(LL)	-0.00	1	n/r	120	MT20	244/190
TCDL	10.0	Lumber DOL	1.15	BC	0.04	Vert(TL)	0.00	1	n/r	120		
BCLL	0.0 *	Rep Stress Incr	YES	WB	0.12	Horz(TL)	0.01	22	n/a	n/a		
BCDL	10.0	Code IRC2009/TPI2007		Matrix-S								
											Weight: 274 lb	FT = 20%

LUMBER-
TOP CHORD 2x4 SP No.1
BOT CHORD 2x6 SP No.1
OTHERS 2x4 SP No.3

BRACING-
TOP CHORD Structural wood sheathing directly applied or 6-0-0 oc purlins.
BOT CHORD Rigid ceiling directly applied or 10-0-0 oc bracing.
WEBS T-Brace: 2x4 SPF No.2 - 12-32, 11-33, 13-30
Fasten (2X) T and I braces to narrow edge of web with 10d (0.131"x3") nails, 6in o.c., with 3in minimum end distance.
Brace must cover 90% of web length.

REACTIONS. All bearings 37-4-0.
(lb) - Max Horz 2=182(LC 6)
Max Uplift All uplift 100 lb or less at joint(s) 2, 33, 35, 36, 37, 38, 39, 30, 28, 27, 26, 25, 24 except
34=-101(LC 6), 40=-125(LC 6), 29=-102(LC 7), 23=-139(LC 7)
Max Grav All reactions 250 lb or less at joint(s) 2, 32, 33, 34, 35, 36, 37, 38, 39, 40, 30, 29, 28, 27, 26,
25, 24, 23, 22

FORCES. (lb) - Max. Comp./Max. Ten. - All forces 250 (lb) or less except when shown.
TOP CHORD 2-3=-281/32, 10-11=-43/347, 11-12=-45/452, 12-13=-45/452, 13-14=-43/347,
21-22=-260/30
BOT CHORD 2-40=0/290, 39-40=0/290, 38-39=0/290, 37-38=0/290, 36-37=0/290, 35-36=0/290,
34-35=0/290, 33-34=0/290, 32-33=0/290, 30-32=0/290, 29-30=0/290, 28-29=0/290,
27-28=0/290, 26-27=0/290, 25-26=0/290, 24-25=0/290, 23-24=0/290, 22-23=0/290
WEBS 3-40=-138/260, 21-23=-164/300

- NOTES-**
- Unbalanced roof live loads have been considered for this design.
 - Wind: ASCE 7-05; 110mph; TCDL=6.0psf; BCDL=5.0psf; h=15ft; Cat. II; Exp C; enclosed; MWFRS (low-rise) gable end zone and C-C Corner(3) 0-10-8 to 3-6-5, Exterior(2) 3-6-5 to 14-1-3, Corner(3) 14-1-3 to 18-6-0, Exterior(2) 22-10-13 to 32-11-3 zone; C-C for members and forces & MWFRS for reactions shown; Lumber DOL=1.60 plate grip DOL=1.60
 - Truss designed for wind loads in the plane of the truss only. For studs exposed to wind (normal to the face), see Standard Industry Gable End Details as applicable, or consult qualified building designer as per ANSI/TPI 1.
 - All plates are 2x4 MT20 unless otherwise indicated.
 - Gable requires continuous bottom chord bearing.
 - Gable studs spaced at 2-0-0 oc.
 - This truss has been designed for a 10.0 psf bottom chord live load nonconcurrent with any other live loads.
 - * This truss has been designed for a live load of 20.0psf on the bottom chord in all areas with a clearance greater than 6-0-0 between the bottom chord and any other members, with BCDL = 10.0psf.
 - Provide mechanical connection (by others) of truss to bearing plate capable of withstanding 100 lb uplift at joint(s) 2, 33, 35, 36, 37, 38, 39, 30, 28, 27, 26, 25, 24 except (jt=lb) 34=101, 40=125, 29=102, 23=139.
 - Warning: Additional permanent and stability bracing for truss system (not part of this component design) is always required.



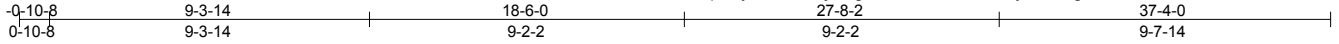
March 5, 2018

Job B0318-0842	Truss A2	Truss Type COMMON	Qty 3	Ply 1	Prelude A	E11514095
-------------------	-------------	----------------------	----------	----------	-----------	-----------

Comtech, Inc., Fayetteville, NC 28309

8.130 s Sep 15 2017 MiTek Industries, Inc. Mon Mar 5 08:42:41 2018 Page 1

ID:qBVty8JxTR2c0jvIHgLUvLzeJa3-ZD?AbLyGzdGrg3118hMC6ORQbh1d8T9OwMI3ZUze0sS



Scale = 1:67.1

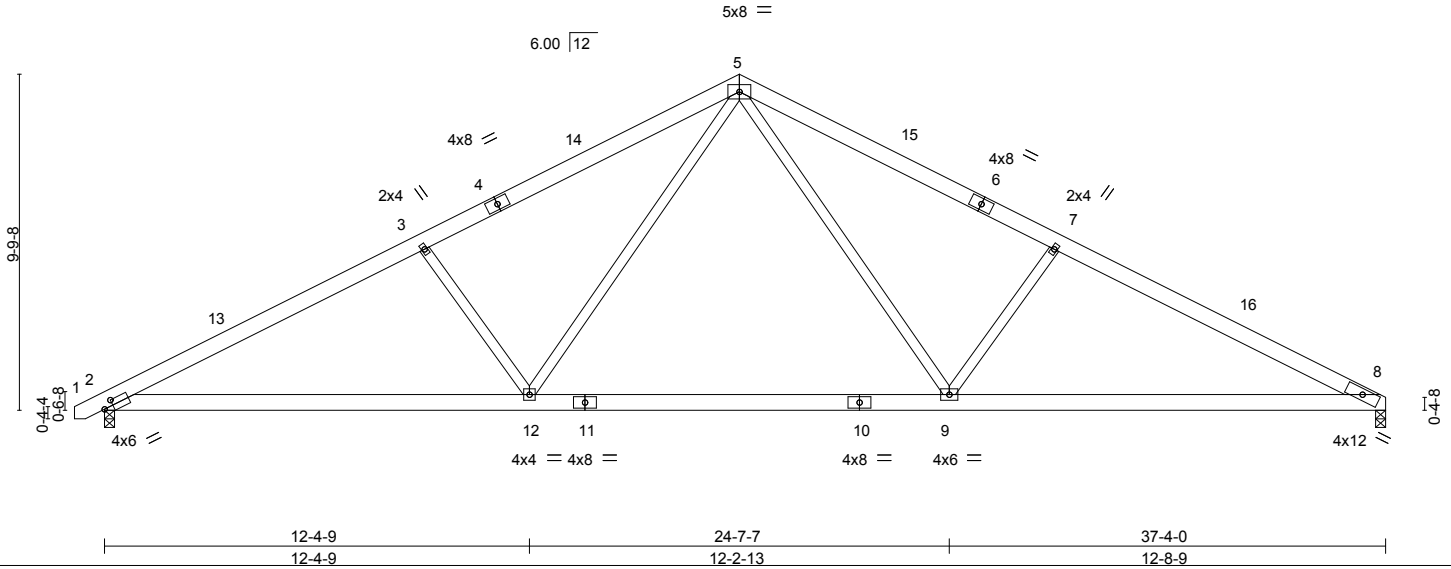


Plate Offsets (X,Y)-- [2:0-3-4,0-2-0]

LOADING (psf)	SPACING- 2-0-0	CSI.	DEFL. in (loc) l/defl L/d	PLATES	GRIP
TCLL 20.0	Plate Grip DOL 1.15	TC 0.46	Vert(LL) -0.45 9-12 >993 360	MT20	244/190
TCDL 10.0	Lumber DOL 1.15	BC 0.73	Vert(TL) -0.63 9-12 >703 240		
BCLL 0.0 *	Rep Stress Incr YES	WB 0.71	Horz(TL) 0.10 8 n/a n/a		
BCDL 10.0	Code IRC2009/TPI2007	Matrix-S	Wind(LL) 0.09 8-9 >999 240	Weight: 235 lb	FT = 20%

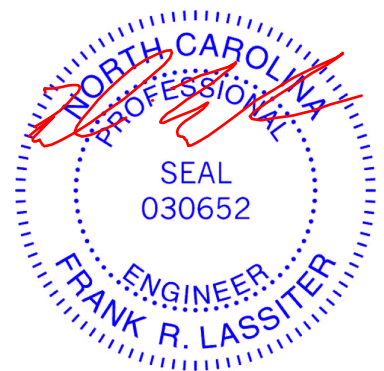
LUMBER-
 TOP CHORD 2x6 SP No.1
 BOT CHORD 2x6 SP No.1
 WEBS 2x4 SP No.3

BRACING-
 TOP CHORD Structural wood sheathing directly applied or 3-9-2 oc purlins.
 BOT CHORD Rigid ceiling directly applied or 8-11-7 oc bracing.

REACTIONS. (lb/size) 2=1781/0-3-8, 8=1724/0-3-8
 Max Horz 2=152(LC 6)
 Max Uplift 2=-272(LC 6), 8=-231(LC 7)

FORCES. (lb) - Max. Comp./Max. Ten. - All forces 250 (lb) or less except when shown.
 TOP CHORD 2-3=-3234/982, 3-5=-2917/976, 5-7=-2958/997, 7-8=-3265/1011
 BOT CHORD 2-12=-727/2783, 9-12=-338/1846, 8-9=-764/2853
 WEBS 5-9=-303/1243, 7-9=-597/459, 5-12=-273/1184, 3-12=-540/423

- NOTES-**
- Unbalanced roof live loads have been considered for this design.
 - Wind: ASCE 7-05; 110mph; TCDL=6.0psf; BCDL=5.0psf; h=15ft; Cat. II; Exp C; enclosed; MWFRS (low-rise) and C-C Exterior(2) -0-8-10 to 3-8-3, Interior(1) 3-8-3 to 14-1-3, Exterior(2) 14-1-3 to 18-6-0, Interior(1) 22-10-13 to 32-9-7 zone; C-C for members and forces & MWFRS for reactions shown; Lumber DOL=1.60 plate grip DOL=1.60
 - This truss has been designed for a 10.0 psf bottom chord live load nonconcurrent with any other live loads.
 - * This truss has been designed for a live load of 20.0psf on the bottom chord in all areas with a clearance greater than 6-0-0 between the bottom chord and any other members, with BCDL = 10.0psf.
 - Provide mechanical connection (by others) of truss to bearing plate capable of withstanding 100 lb uplift at joint(s) except (jt=lb) 2=272, 8=231.



March 5, 2018

WARNING - Verify design parameters and READ NOTES ON THIS AND INCLUDED MITEK REFERENCE PAGE MII-7473 rev. 10/03/2015 BEFORE USE.

Design valid for use only with MiTek® connectors. This design is based only upon parameters shown, and is for an individual building component, not a truss system. Before use, the building designer must verify the applicability of design parameters and properly incorporate this design into the overall building design. Bracing indicated is to prevent buckling of individual truss web and/or chord members only. Additional temporary and permanent bracing is always required for stability and to prevent collapse with possible personal injury and property damage. For general guidance regarding the fabrication, storage, delivery, erection and bracing of trusses and truss systems, see **ANSI/TPI1 Quality Criteria, DSB-89 and BCSI Building Component Safety Information** available from Truss Plate Institute, 218 N. Lee Street, Suite 312, Alexandria, VA 22314.



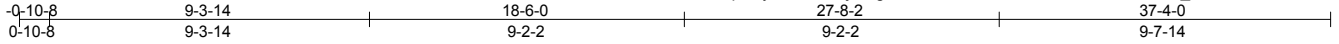
818 Soundside Road
 Edenton, NC 27932

Job B0318-0842	Truss A2-P	Truss Type COMMON	Qty 1	Ply 1	Prelude A	E11514096
-------------------	---------------	----------------------	----------	----------	-----------	-----------

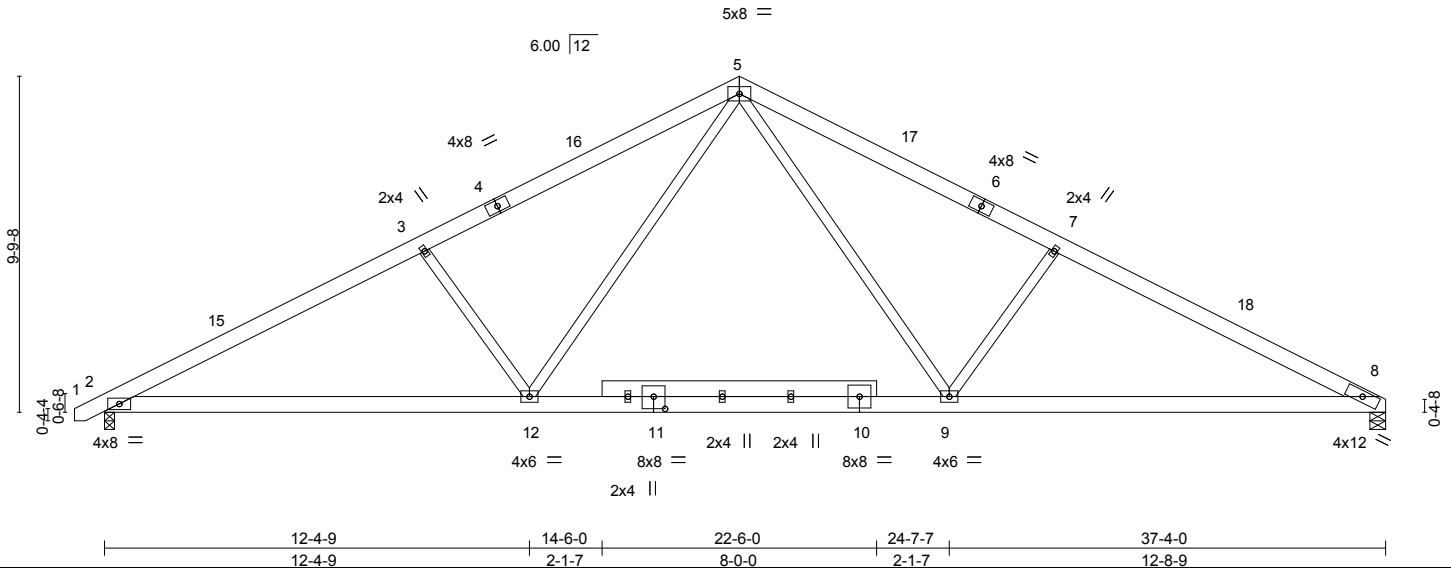
Comtech, Inc., Fayetteville, NC 28309

8.130 s Sep 15 2017 MiTek Industries, Inc. Mon Mar 5 08:42:42 2018 Page 1

ID:qBVty8JxTR2c0jvIHgLUvLzeJa3-1PZYohzukuwOiHDsDiPtRfc_bC4KNtwYX90Vd5xe0sR



Scale = 1:67.1



LOADING (psf)	SPACING-	CSI.	DEFL.	PLATES	GRIP
TCLL 20.0	2-0-0	TC 0.47	in (loc) l/defl L/d	MT20	244/190
TCDL 10.0	Plate Grip DOL 1.15	BC 0.95	Vert(LL) -0.62 9-12 >710 360		
BCLL 0.0 *	Lumber DOL 1.15	WB 0.71	Vert(TL) -0.81 9-12 >548 240		
BCDL 10.0	Rep Stress Incr YES	Matrix-S	Horz(TL) 0.11 8 n/a n/a		
	Code IRC2009/TPI2007		Wind(LL) 0.09 8-9 >999 240	Weight: 253 lb	FT = 20%

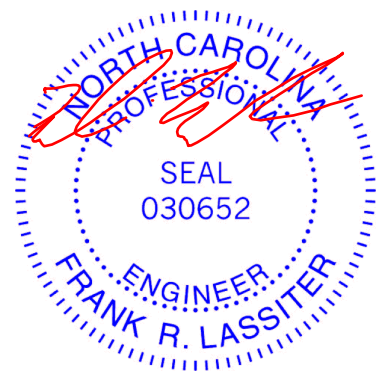
LUMBER-
TOP CHORD 2x6 SP No.1
BOT CHORD 2x6 SP No.1
WEBS 2x4 SP No.3 *Except*
13-14: 2x6 SP No.1

BRACING-
TOP CHORD Structural wood sheathing directly applied or 3-7-5 oc purlins.
BOT CHORD Rigid ceiling directly applied or 2-2-0 oc bracing.

REACTIONS. (lb/size) 2=1900/0-3-8, 8=1842/0-5-8
Max Horz 2=152(LC 6)
Max Uplift 2=-271(LC 6), 8=-230(LC 7)

FORCES. (lb) - Max. Comp./Max. Ten. - All forces 250 (lb) or less except when shown.
TOP CHORD 2-3=-3519/980, 3-5=-3203/974, 5-7=-3236/992, 7-8=-3563/1004
BOT CHORD 2-12=-725/3034, 9-12=-336/2018, 8-9=-757/3092
WEBS 5-9=-299/1386, 7-9=-578/454, 5-12=-273/1339, 3-12=-530/423

- NOTES-**
- 1) Unbalanced roof live loads have been considered for this design.
 - 2) Wind: ASCE 7-05; 110mph; TCDL=6.0psf; BCDL=5.0psf; h=15ft; Cat. II; Exp C; enclosed; MWFRS (low-rise) and C-C Exterior(2) -0-8-10 to 3-8-3, Interior(1) 3-8-3 to 14-1-3, Exterior(2) 14-1-3 to 18-6-0, Interior(1) 22-10-13 to 32-8-7 zone; C-C for members and forces & MWFRS for reactions shown; Lumber DOL=1.60 plate grip DOL=1.60
 - 3) This truss has been designed for a 10.0 psf bottom chord live load nonconcurrent with any other live loads.
 - 4) * This truss has been designed for a live load of 30.0psf on the bottom chord in all areas with a clearance greater than 6-0-0 between the bottom chord and any other members, with BCDL = 10.0psf.
 - 5) Provide mechanical connection (by others) of truss to bearing plate capable of withstanding 100 lb uplift at joint(s) except (jt=lb) 2=271, 8=230.



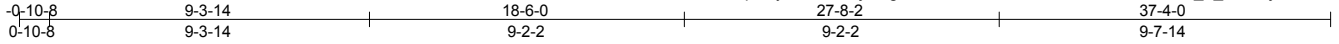
March 5, 2018

Job B0318-0842	Truss A3-P	Truss Type COMMON	Qty 2	Ply 1	Prelude A	E11514097
-------------------	---------------	----------------------	----------	----------	-----------	-----------

Comtech, Inc., Fayetteville, NC 28309

8.130 s Sep 15 2017 MiTek Industries, Inc. Mon Mar 5 08:42:42 2018 Page 1

ID:qBVty8JxTR2c0jvIHgLUvLzeJa3-1PZYohzukuWOIHDSdIPtRfc_Z_4PutwjX90Vd5xze0sR



Scale = 1:67.1

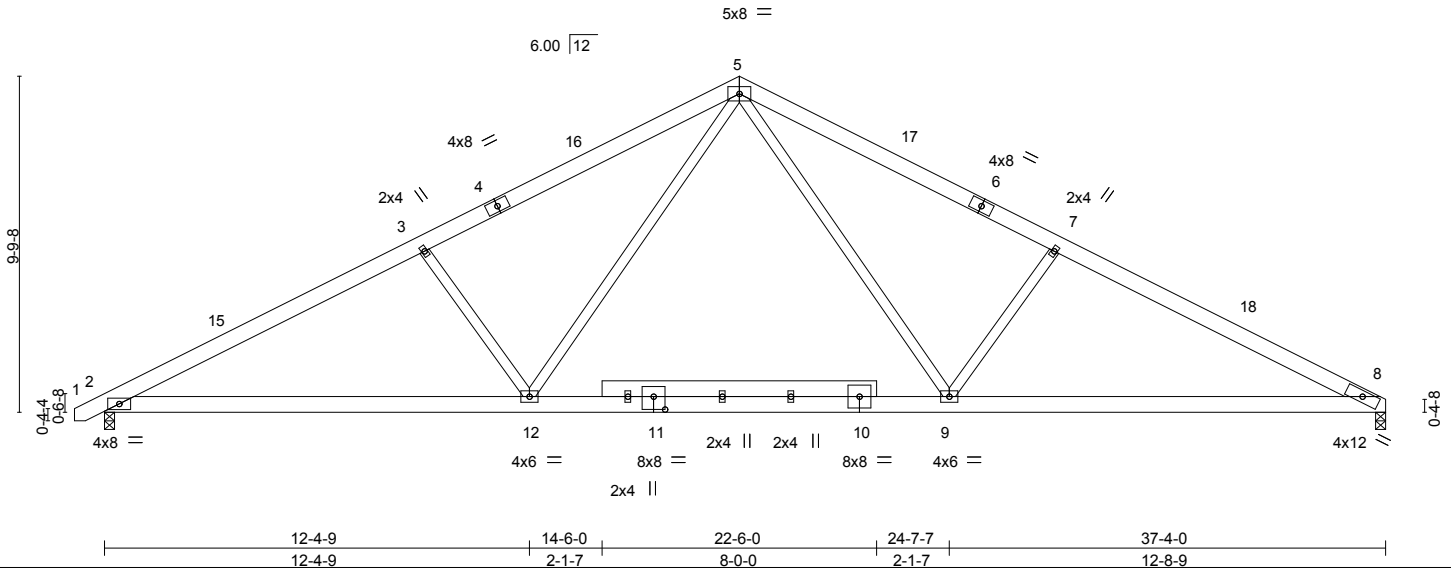


Plate Offsets (X,Y)-- [11:0-4-0,0-4-8]

LOADING (psf)	SPACING- 2-1-8	CSI.	DEFL. in (loc) l/defl L/d	PLATES	GRIP
TCLL 20.0	Plate Grip DOL 1.15	TC 0.61	Vert(LL) -0.56 9-12 >796 360	MT20	244/190
TCDL 10.0	Lumber DOL 1.15	BC 0.60	Vert(TL) -0.73 9-12 >605 240		
BCLL 0.0 *	Rep Stress Incr NO	WB 0.76	Horz(TL) 0.09 8 n/a n/a		
BCDL 10.0	Code IRC2009/TPI2007	Matrix-S	Wind(LL) 0.09 8-9 >999 240	Weight: 253 lb	FT = 20%

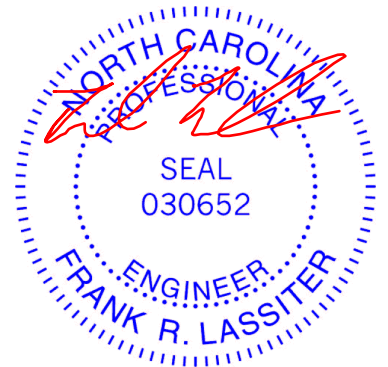
LUMBER-
 TOP CHORD 2x6 SP No.1
 BOT CHORD 2x6 SP 2400F 2.0E
 WEBS 2x4 SP No.3 *Except*
 13-14: 2x6 SP No.1

BRACING-
 TOP CHORD Structural wood sheathing directly applied or 3-4-15 oc purlins.
 BOT CHORD Rigid ceiling directly applied or 10-0-0 oc bracing.

REACTIONS. (lb/size) 2=2023/0-3-8, 8=1960/0-3-8
 Max Horz 2=161(LC 6)
 Max Uplift 2=-289(LC 6), 8=-245(LC 7)

FORCES. (lb) - Max. Comp./Max. Ten. - All forces 250 (lb) or less except when shown.
 TOP CHORD 2-3=-3748/1043, 3-5=-3413/1037, 5-7=-3458/1059, 7-8=-3809/1073
 BOT CHORD 2-12=-772/3231, 9-12=-359/2152, 8-9=-811/3311
 WEBS 5-9=-322/1488, 7-9=-628/487, 5-12=-290/1422, 3-12=-561/447

- NOTES-**
- 1) Unbalanced roof live loads have been considered for this design.
 - 2) Wind: ASCE 7-05; 110mph; TCDL=6.0psf; BCDL=5.0psf; h=15ft; Cat. II; Exp C; enclosed; MWFRS (low-rise) and C-C Exterior(2) -0-8-10 to 3-8-3, Interior(1) 3-8-3 to 14-1-3, Exterior(2) 14-1-3 to 18-6-0, Interior(1) 22-10-13 to 32-9-7 zone; C-C for members and forces & MWFRS for reactions shown; Lumber DOL=1.60 plate grip DOL=1.60
 - 3) This truss has been designed for a 10.0 psf bottom chord live load nonconcurrent with any other live loads.
 - 4) * This truss has been designed for a live load of 30.0psf on the bottom chord in all areas with a clearance greater than 6-0-0 between the bottom chord and any other members, with BCDL = 10.0psf.
 - 5) Provide mechanical connection (by others) of truss to bearing plate capable of withstanding 100 lb uplift at joint(s) except (jt=lb) 2=289, 8=245.



March 5, 2018

WARNING - Verify design parameters and READ NOTES ON THIS AND INCLUDED MITEK REFERENCE PAGE MII-7473 rev. 10/03/2015 BEFORE USE.

Design valid for use only with MiTek® connectors. This design is based only upon parameters shown, and is for an individual building component, not a truss system. Before use, the building designer must verify the applicability of design parameters and properly incorporate this design into the overall building design. Bracing indicated is to prevent buckling of individual truss web and/or chord members only. Additional temporary and permanent bracing is always required for stability and to prevent collapse with possible personal injury and property damage. For general guidance regarding the fabrication, storage, delivery, erection and bracing of trusses and truss systems, see **ANSI/TPI1 Quality Criteria, DSB-89 and BCSI Building Component Safety Information** available from Truss Plate Institute, 218 N. Lee Street, Suite 312, Alexandria, VA 22314.



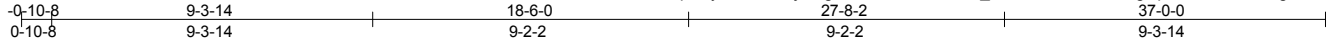
818 Soundside Road
 Edenton, NC 27932

Job B0318-0842	Truss A4-P	Truss Type COMMON	Qty 1	Ply 1	Prelude A	E11514098
-------------------	---------------	----------------------	----------	----------	-----------	-----------

Comtech, Inc., Fayetteville, NC 28309

8.130 s Sep 15 2017 MiTek Industries, Inc. Mon Mar 5 08:42:43 2018 Page 1

ID:qBVty8JxTR2c0jvIHgLUvlLzeJa3-Vb7x01_WVVEWZvNRQG6OgCpXnUUfcoFhOgEAdNze0sQ



Scale = 1:66.9

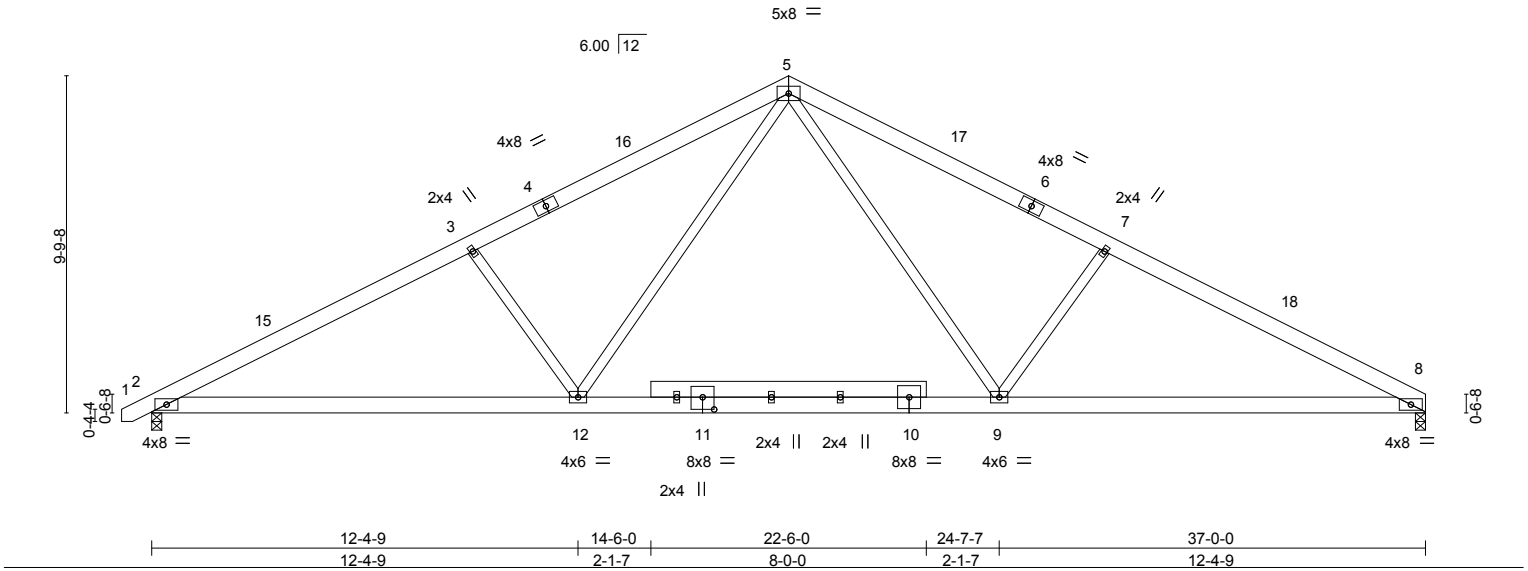


Plate Offsets (X,Y)--	[11:0-4-0,0-4-4]
-----------------------	------------------

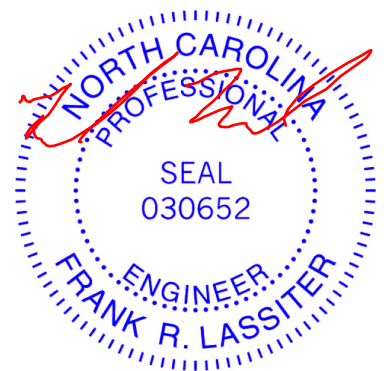
LOADING (psf)	SPACING-	2-0-0	CSI.	DEFL.	in (loc)	l/defl	L/d	PLATES	GRIP
TCLL 20.0	Plate Grip DOL	1.15	TC 0.43	Vert(LL)	-0.62	9-12	>712	MT20	244/190
TCDL 10.0	Lumber DOL	1.15	BC 0.95	Vert(TL)	-0.80	9-12	>549		
BCLL 0.0 *	Rep Stress Incr	YES	WB 0.68	Horz(TL)	0.11	8	n/a		
BCDL 10.0	Code IRC2009/TPI2007		Matrix-S	Wind(LL)	0.08	2-12	>999		
								Weight: 253 lb	FT = 20%

LUMBER-	BRACING-
TOP CHORD 2x6 SP No.1	TOP CHORD Structural wood sheathing directly applied or 3-8-8 oc purlins.
BOT CHORD 2x6 SP No.1	BOT CHORD Rigid ceiling directly applied or 2-2-0 oc bracing.
WEBS 2x4 SP No.3 *Except* 13-14: 2x6 SP No.1	

REACTIONS. (lb/size) 2=1888/0-3-8, 8=1835/0-3-8
Max Horz 2=152(LC 6)
Max Uplift 2=-271(LC 6), 8=-227(LC 7)

FORCES. (lb) - Max. Comp./Max. Ten. - All forces 250 (lb) or less except when shown.
TOP CHORD 2-3=-3492/973, 3-5=-3176/967, 5-7=-3178/977, 7-8=-3495/985
BOT CHORD 2-12=-717/3010, 9-12=-329/1993, 8-9=-736/3014
WEBS 5-9=-287/1343, 7-9=-537/441, 5-12=-272/1340, 3-12=-530/423

- NOTES-**
- 1) Unbalanced roof live loads have been considered for this design.
 - 2) Wind: ASCE 7-05; 110mph; TCDL=6.0psf; BCDL=5.0psf; h=15ft; Cat. II; Exp C; enclosed; MWFRS (low-rise) and C-C Exterior(2) -0-8-10 to 3-8-3, Interior(1) 3-8-3 to 14-1-3, Exterior(2) 14-1-3 to 18-6-0, Interior(1) 22-10-13 to 32-5-7 zone; C-C for members and forces & MWFRS for reactions shown; Lumber DOL=1.60 plate grip DOL=1.60
 - 3) This truss has been designed for a 10.0 psf bottom chord live load nonconcurrent with any other live loads.
 - 4) * This truss has been designed for a live load of 30.0psf on the bottom chord in all areas with a clearance greater than 6-0-0 between the bottom chord and any other members, with BCDL = 10.0psf.
 - 5) Provide mechanical connection (by others) of truss to bearing plate capable of withstanding 100 lb uplift at joint(s) except (jt=lb) 2=271, 8=227.



March 5, 2018

Job B0318-0842	Truss A5	Truss Type COMMON	Qty 4	Ply 1	Prelude A	E11514099
-------------------	-------------	----------------------	----------	----------	-----------	-----------

Comtech, Inc., Fayetteville, NC 28309

8.130 s Sep 15 2017 MiTek Industries, Inc. Mon Mar 5 08:42:44 2018 Page 1

ID:qBVty8JxTR2c0jvIHgLUvLzeJa3-zogJDN?8GYePXX0cqpvk13z6u2XLs4qdJ_jApze0sP

-0-10-8 0-10-8	9-3-14 9-3-14	18-6-0 9-2-2	27-8-2 9-2-2	37-0-0 9-3-14	37-10-8 0-10-8
-------------------	------------------	-----------------	-----------------	------------------	-------------------

Scale = 1:65.1

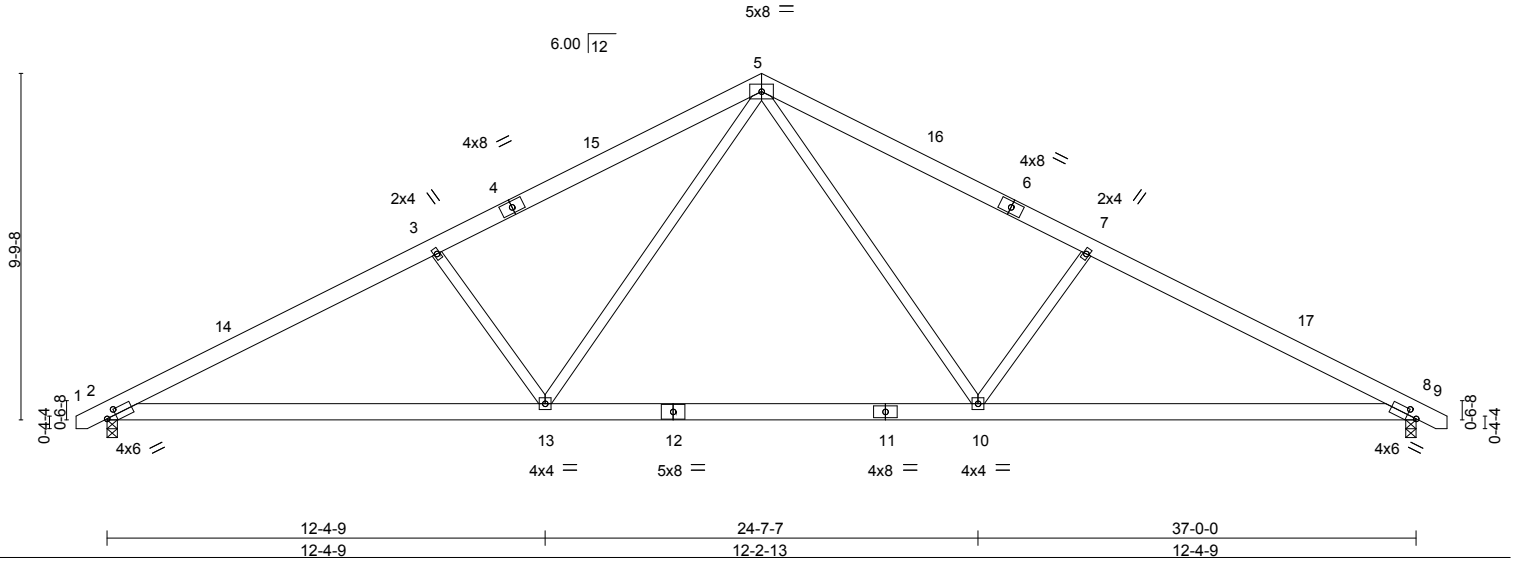


Plate Offsets (X,Y)-- [2:0-3-4,0-2-0], [8:0-3-4,0-2-0]

LOADING (psf)	SPACING-	CSI.	DEFL.	PLATES	GRIP
TCLL 20.0	2-0-0	TC 0.38	in (loc) l/defl L/d	MT20	244/190
TCDL 10.0	Plate Grip DOL 1.15	BC 0.72	Vert(LL) -0.44 10-13 >999 360		
BCLL 0.0 *	Lumber DOL 1.15	WB 0.64	Vert(TL) -0.62 10-13 >706 240		
BCDL 10.0	Rep Stress Incr YES	Matrix-S	Horz(TL) 0.10 8 n/a n/a		
	Code IRC2009/TP12007		Wind(LL) 0.08 2-13 >999 240	Weight: 236 lb	FT = 20%

LUMBER-

TOP CHORD 2x6 SP No.1
 BOT CHORD 2x6 SP No.1
 WEBS 2x4 SP No.3

BRACING-

TOP CHORD Structural wood sheathing directly applied or 3-11-12 oc purlins.
 BOT CHORD Rigid ceiling directly applied or 9-4-12 oc bracing.

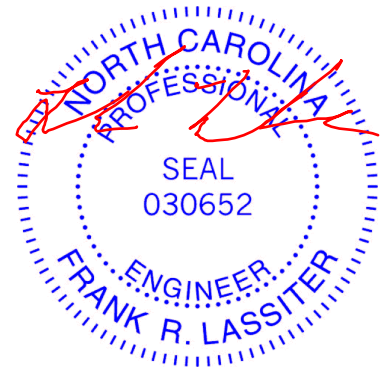
REACTIONS. (lb/size) 2=1765/0-3-8, 8=1765/0-3-8
 Max Horz 2=-147(LC 7)
 Max Uplift 2=-270(LC 6), 8=-270(LC 7)

FORCES. (lb) - Max. Comp./Max. Ten. - All forces 250 (lb) or less except when shown.

TOP CHORD 2-3=-3199/966, 3-5=-2882/960, 5-7=-2882/960, 7-8=-3199/966
 BOT CHORD 2-13=-690/2751, 10-13=-302/1815, 8-10=-690/2751
 WEBS 5-10=-271/1185, 7-10=-540/422, 5-13=-271/1185, 3-13=-540/422

NOTES-

- Unbalanced roof live loads have been considered for this design.
- Wind: ASCE 7-05; 110mph; TCDL=6.0psf; BCDL=5.0psf; h=15ft; Cat. II; Exp C; enclosed; MWFRS (low-rise) and C-C Exterior(2) -0-8-10 to 3-8-3, Interior(1) 3-8-3 to 14-1-3, Exterior(2) 14-1-3 to 18-6-0, Interior(1) 22-10-13 to 33-3-13 zone; C-C for members and forces & MWFRS for reactions shown; Lumber DOL=1.60 plate grip DOL=1.60
- This truss has been designed for a 10.0 psf bottom chord live load nonconcurrent with any other live loads.
- * This truss has been designed for a live load of 20.0psf on the bottom chord in all areas with a clearance greater than 6-0-0 between the bottom chord and any other members, with BCDL = 10.0psf.
- Provide mechanical connection (by others) of truss to bearing plate capable of withstanding 100 lb uplift at joint(s) except (jt=lb) 2=270, 8=270.



March 5, 2018

WARNING - Verify design parameters and READ NOTES ON THIS AND INCLUDED MITEK REFERENCE PAGE MII-7473 rev. 10/03/2015 BEFORE USE.

Design valid for use only with MiTek® connectors. This design is based only upon parameters shown, and is for an individual building component, not a truss system. Before use, the building designer must verify the applicability of design parameters and properly incorporate this design into the overall building design. Bracing indicated is to prevent buckling of individual truss web and/or chord members only. Additional temporary and permanent bracing is always required for stability and to prevent collapse with possible personal injury and property damage. For general guidance regarding the fabrication, storage, delivery, erection and bracing of trusses and truss systems, see **ANSI/TP1 Quality Criteria, DSB-89 and BCSI Building Component Safety Information** available from Truss Plate Institute, 218 N. Lee Street, Suite 312, Alexandria, VA 22314.



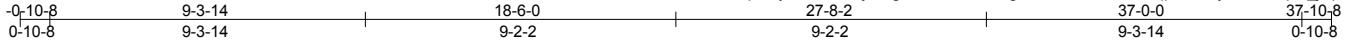
818 Soundside Road
 Edenton, NC 27932

Job B0318-0842	Truss A5-P	Truss Type COMMON	Qty 2	Ply 1	Prelude A	E11514100
-------------------	---------------	----------------------	----------	----------	-----------	-----------

Comtech, Inc., Fayetteville, NC 28309

8.130 s Sep 15 2017 MiTek Industries, Inc. Mon Mar 5 08:42:44 2018 Page 1

ID:qBVty8JxTR2c0jvIHgLUvLzeJa3-zogJDN?8GYePXX0cqpvvk13ylu?tlLs4qdJ_jApze0sP



Scale = 1:68.1

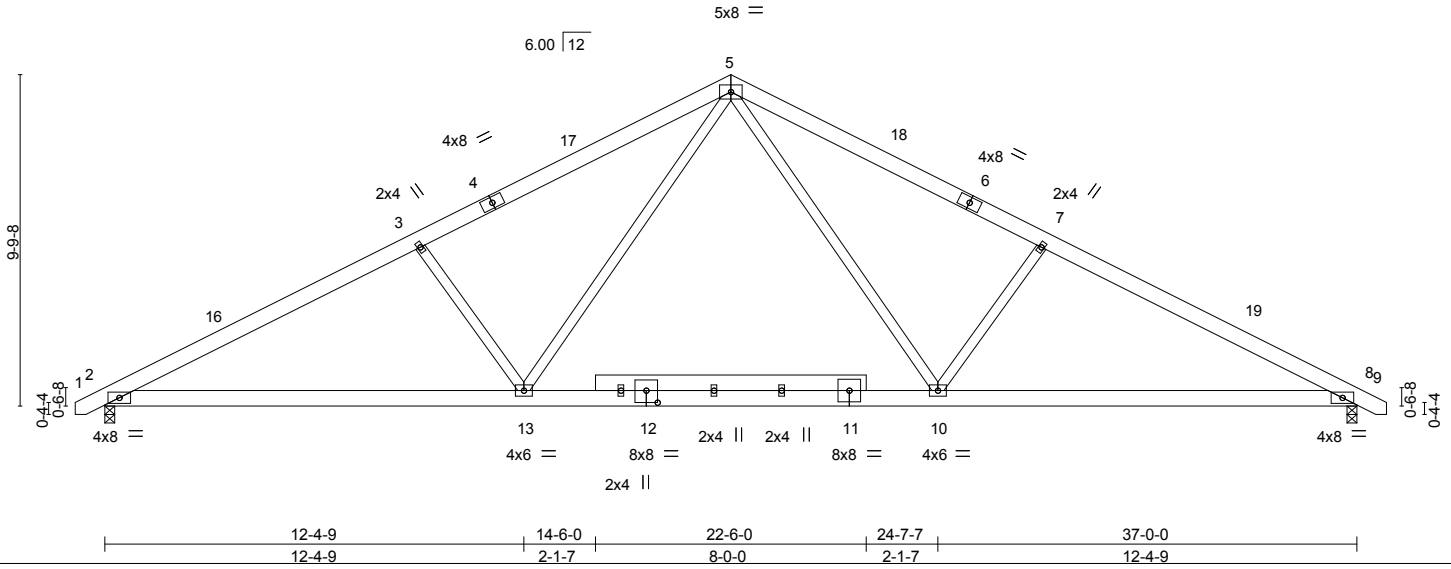


Plate Offsets (X,Y)-- [12:0-4-0-0-4-4]									
LOADING (psf)	SPACING-	2-0-0	CSI.	DEFL.	in (loc)	l/defl	L/d	PLATES	GRIP
TCLL 20.0	Plate Grip DOL	1.15	TC 0.40	Vert(LL)	-0.62 10-13	>716	360	MT20	244/190
TCDL 10.0	Lumber DOL	1.15	BC 0.95	Vert(TL)	-0.80 10-13	>550	240		
BCLL 0.0 *	Rep Stress Incr	YES	WB 0.64	Horz(TL)	0.11 8	n/a	n/a		
BCDL 10.0	Code IRC2009/TP12007		Matrix-S	Wind(LL)	0.08 2-13	>999	240	Weight: 255 lb	FT = 20%

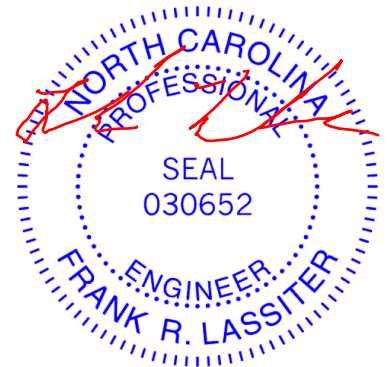
LUMBER-
TOP CHORD 2x6 SP No.1
BOT CHORD 2x6 SP No.1
WEBS 2x4 SP No.3 *Except*
14-15: 2x6 SP No.1

BRACING-
TOP CHORD Structural wood sheathing directly applied or 3-9-12 oc purlins.
BOT CHORD Rigid ceiling directly applied or 2-2-0 oc bracing.

REACTIONS. (lb/size) 2=1887/0-3-8, 8=1887/0-3-8
Max Horz 2=-147(LC 7)
Max Uplift 2=-270(LC 6), 8=-270(LC 7)

FORCES. (lb) - Max. Comp./Max. Ten. - All forces 250 (lb) or less except when shown.
TOP CHORD 2-3=-3491/966, 3-5=-3175/960, 5-7=-3175/960, 7-8=-3491/966
BOT CHORD 2-13=-690/3008, 10-13=-302/1992, 8-10=-690/3008
WEBS 5-10=-271/1339, 7-10=-530/422, 5-13=-271/1339, 3-13=-530/422

- NOTES-**
- 1) Unbalanced roof live loads have been considered for this design.
 - 2) Wind: ASCE 7-05; 110mph; TCDL=6.0psf; BCDL=5.0psf; h=15ft; Cat. II; Exp C; enclosed; MWFRS (low-rise) and C-C Exterior(2) -0-8-10 to 3-8-3, Interior(1) 3-8-3 to 14-1-3, Exterior(2) 14-1-3 to 18-6-0, Interior(1) 22-10-13 to 33-3-13 zone:C-C for members and forces & MWFRS for reactions shown; Lumber DOL=1.60 plate grip DOL=1.60
 - 3) This truss has been designed for a 10.0 psf bottom chord live load nonconcurrent with any other live loads.
 - 4) * This truss has been designed for a live load of 30.0psf on the bottom chord in all areas with a clearance greater than 6-0-0 between the bottom chord and any other members, with BCDL = 10.0psf.
 - 5) Provide mechanical connection (by others) of truss to bearing plate capable of withstanding 100 lb uplift at joint(s) except (jt=lb) 2=270, 8=270.



March 5, 2018

WARNING - Verify design parameters and READ NOTES ON THIS AND INCLUDED MITEK REFERENCE PAGE MII-7473 rev. 10/03/2015 BEFORE USE.

Design valid for use only with MiTek® connectors. This design is based only upon parameters shown, and is for an individual building component, not a truss system. Before use, the building designer must verify the applicability of design parameters and properly incorporate this design into the overall building design. Bracing indicated is to prevent buckling of individual truss web and/or chord members only. Additional temporary and permanent bracing is always required for stability and to prevent collapse with possible personal injury and property damage. For general guidance regarding the fabrication, storage, delivery, erection and bracing of trusses and truss systems, see **ANSI/TP1 Quality Criteria, DSB-89 and BCSI Building Component Safety Information** available from Truss Plate Institute, 218 N. Lee Street, Suite 312, Alexandria, VA 22314.

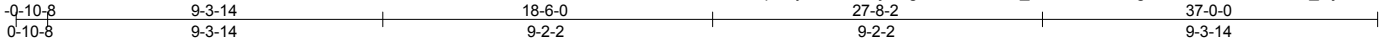


818 Soundside Road
Edenton, NC 27932

Job B0318-0842	Truss A6	Truss Type COMMON	Qty 6	Ply 1	Prelude A	E11514101
-------------------	-------------	----------------------	----------	----------	-----------	-----------

Comtech, Inc., Fayetteville, NC 28309

8.130 s Sep 15 2017 MiTek Industries, Inc. Mon Mar 5 08:42:45 2018 Page 1
ID:qBVty8JxTR2c0jvIHgLUvLzeJa3-R_EhRi?n0rmG8gboNXR8HEc75lOk4la_rzjHiFze0sO



Scale: 3/16"=1'

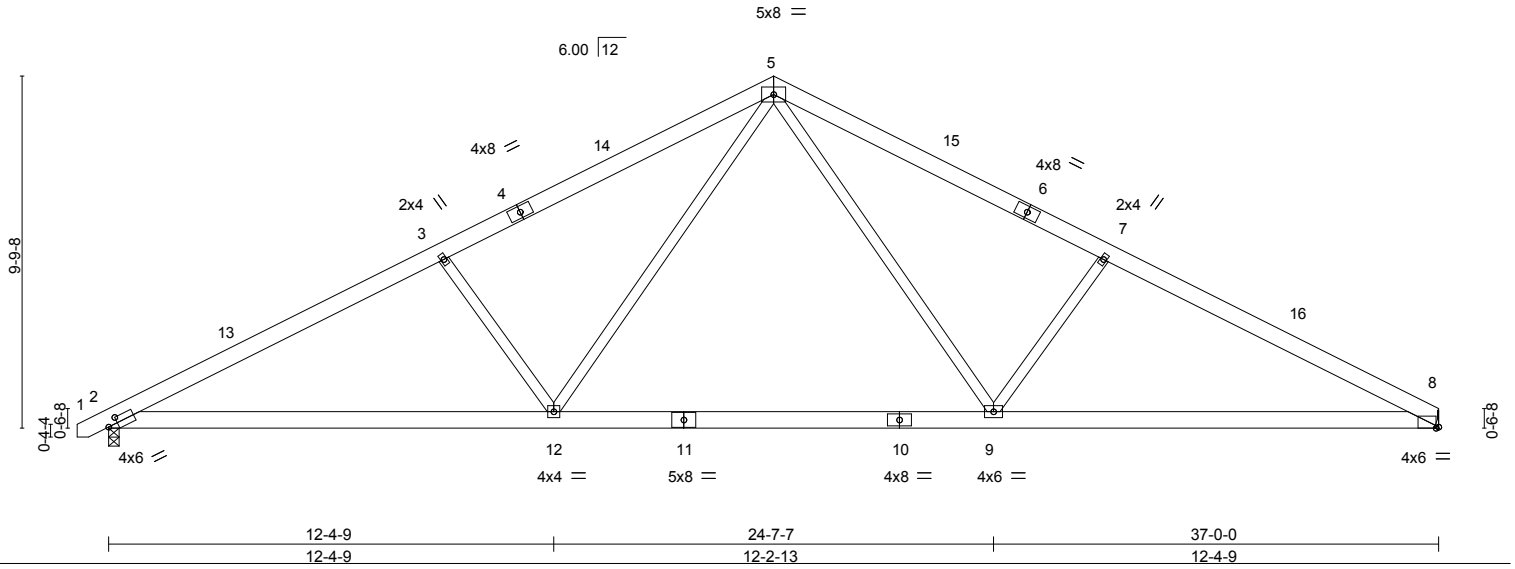


Plate Offsets (X,Y)-- [2:0-3-4,0-2-0], [8:0-0-14,Edge]

LOADING (psf)	SPACING- 2-0-0	CSI.	DEFL. in (loc) l/defl L/d	PLATES	GRIP
TCLL 20.0	Plate Grip DOL 1.15	TC 0.42	Vert(LL) -0.44 9-12 >998 360	MT20	244/190
TCDL 10.0	Lumber DOL 1.15	BC 0.72	Vert(TL) -0.63 9-12 >704 240		
BCLL 0.0 *	Rep Stress Incr YES	WB 0.69	Horz(TL) 0.10 8 n/a n/a		
BCDL 10.0	Code IRC2009/TP12007	Matrix-S	Wind(LL) 0.08 8-9 >999 240	Weight: 234 lb	FT = 20%

LUMBER-

TOP CHORD 2x6 SP No.1
BOT CHORD 2x6 SP No.1
WEBS 2x4 SP No.3

BRACING-

TOP CHORD Structural wood sheathing directly applied or 3-10-7 oc purlins.
BOT CHORD Rigid ceiling directly applied or 9-0-15 oc bracing.

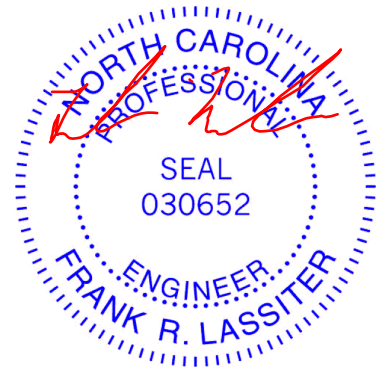
REACTIONS. (lb/size) 2=1769/0-3-8, 8=1715/Mechanical
Max Horz 2=152(LC 6)
Max Uplift 2=-271(LC 6), 8=-228(LC 7)

FORCES. (lb) - Max. Comp./Max. Ten. - All forces 250 (lb) or less except when shown.

TOP CHORD 2-3=-3209/975, 3-5=-2892/969, 5-7=-2904/982, 7-8=-3200/992
BOT CHORD 2-12=-720/2760, 9-12=-331/1823, 8-9=-743/2781
WEBS 5-9=-291/1202, 7-9=-558/445, 5-12=-272/1185, 3-12=-540/423

NOTES-

- Unbalanced roof live loads have been considered for this design.
- Wind: ASCE 7-05; 110mph; TCDL=6.0psf; BCDL=5.0psf; h=15ft; Cat. II; Exp C; enclosed; MWFRS (low-rise) and C-C Exterior(2) -0-8-10 to 3-8-3, Interior(1) 3-8-3 to 14-1-3, Exterior(2) 14-1-3 to 18-6-0, Interior(1) 22-10-13 to 32-6-7 zone; C-C for members and forces & MWFRS for reactions shown; Lumber DOL=1.60 plate grip DOL=1.60
- This truss has been designed for a 10.0 psf bottom chord live load nonconcurrent with any other live loads.
- * This truss has been designed for a live load of 20.0psf on the bottom chord in all areas with a clearance greater than 6-0-0 between the bottom chord and any other members, with BCDL = 10.0psf.
- Refer to girder(s) for truss to truss connections.
- Provide mechanical connection (by others) of truss to bearing plate capable of withstanding 100 lb uplift at joint(s) except (jt=lb) 2=271, 8=228.



March 5, 2018

WARNING - Verify design parameters and READ NOTES ON THIS AND INCLUDED MITEK REFERENCE PAGE MII-7473 rev. 10/03/2015 BEFORE USE.

Design valid for use only with MiTek® connectors. This design is based only upon parameters shown, and is for an individual building component, not a truss system. Before use, the building designer must verify the applicability of design parameters and properly incorporate this design into the overall building design. Bracing indicated is to prevent buckling of individual truss web and/or chord members only. Additional temporary and permanent bracing is always required for stability and to prevent collapse with possible personal injury and property damage. For general guidance regarding the fabrication, storage, delivery, erection and bracing of trusses and truss systems, see **ANSI/TP1 Quality Criteria, DSB-89 and BCSI Building Component Safety Information** available from Truss Plate Institute, 218 N. Lee Street, Suite 312, Alexandria, VA 22314.

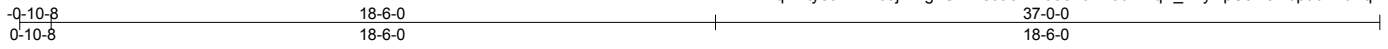


818 Soundside Road
Edenton, NC 27932

Job B0318-0842	Truss A7	Truss Type COMMON SUPPORTED GAB	Qty 1	Ply 1	Prelude A	E11514102
-------------------	-------------	------------------------------------	----------	----------	-----------	-----------

Comtech, Inc., Fayetteville, NC 28309

8.130 s Sep 15 2017 MiTek Industries, Inc. Mon Mar 5 08:42:46 2018 Page 1
ID:qBVty8JxTR2c0jvIHgLUvLzeJa3-vAo3e20Pn9u7mqA_xEyNpS9N3ivbpu74dTqEize0sN



Scale: 3/16"=1'

LOADING (psf)	SPACING-	CSL	DEFL.	PLATES	GRIP
TCLL 20.0	2-0-0	TC 0.09	in (loc) l/defl L/d	MT20	244/190
TCDL 10.0	Plate Grip DOL 1.15	BC 0.04	Vert(LL) -0.00 1 n/r 120		
BCLL 0.0 *	Lumber DOL 1.15	WB 0.12	Vert(TL) 0.00 1 n/r 120		
BCDL 10.0	Rep Stress Incr YES	Matrix-S	Horz(TL) 0.01 22 n/a n/a		
	Code IRC2009/TPI2007			Weight: 272 lb	FT = 20%

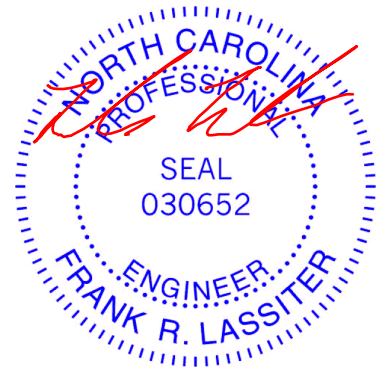
LUMBER-
TOP CHORD 2x4 SP No.1
BOT CHORD 2x6 SP No.1
OTHERS 2x4 SP No.3

BRACING-
TOP CHORD Structural wood sheathing directly applied or 6-0-0 oc purlins.
BOT CHORD Rigid ceiling directly applied or 10-0-0 oc bracing.
WEBS T-Brace: 2x4 SPF No.2 - 12-32, 11-33, 13-31
Fasten (2X) T and I braces to narrow edge of web with 10d (0.131"x3") nails, 6in o.c., with 3in minimum end distance.
Brace must cover 90% of web length.

REACTIONS. All bearings 37-0-0.
(lb) - Max Horz 2=182(LC 6)
Max Uplift All uplift 100 lb or less at joint(s) 2, 33, 36, 37, 38, 39, 40, 31, 28, 27, 26, 25, 24 except
35=-101(LC 6), 41=-125(LC 6), 29=-102(LC 7), 23=-142(LC 7)
Max Grav All reactions 250 lb or less at joint(s) 2, 32, 33, 35, 36, 37, 38, 39, 40, 41, 31, 29, 28, 27, 26,
25, 24, 23, 22

FORCES. (lb) - Max. Comp./Max. Ten. - All forces 250 (lb) or less except when shown.
TOP CHORD 2-3=-282/31, 10-11=-43/348, 11-12=-46/453, 12-13=-46/453, 13-14=-43/348,
21-22=-271/29
BOT CHORD 2-41=0/293, 40-41=0/293, 39-40=0/293, 38-39=0/293, 37-38=0/293, 36-37=0/293,
35-36=0/293, 33-35=0/293, 32-33=0/293, 31-32=0/293, 29-31=0/293, 28-29=0/293,
27-28=0/293, 26-27=0/293, 25-26=0/293, 24-25=0/293, 23-24=0/293, 22-23=0/293
WEBS 3-41=-138/260, 21-23=-148/294

- NOTES-**
- 1) Unbalanced roof live loads have been considered for this design.
 - 2) Wind: ASCE 7-05; 110mph; TCDL=6.0psf; BCDL=5.0psf; h=15ft; Cat. II; Exp C; enclosed; MWFRS (low-rise) gable end zone and C-C Corner(3) -0-10-8 to 3-6-5, Exterior(2) 3-6-5 to 14-1-3, Corner(3) 14-1-3 to 18-6-0, Exterior(2) 22-10-13 to 32-6-0 zone; C-C for members and forces & MWFRS for reactions shown; Lumber DOL=1.60 plate grip DOL=1.60
 - 3) Truss designed for wind loads in the plane of the truss only. For studs exposed to wind (normal to the face), see Standard Industry Gable End Details as applicable, or consult qualified building designer as per ANSI/TPI 1.
 - 4) All plates are 2x4 MT20 unless otherwise indicated.
 - 5) Gable requires continuous bottom chord bearing.
 - 6) Gable studs spaced at 2-0-0 oc.
 - 7) This truss has been designed for a 10.0 psf bottom chord live load nonconcurrent with any other live loads.
 - 8) * This truss has been designed for a live load of 20.0psf on the bottom chord in all areas with a clearance greater than 6-0-0 between the bottom chord and any other members, with BCDL = 10.0psf.
 - 9) Provide mechanical connection (by others) of truss to bearing plate capable of withstanding 100 lb uplift at joint(s) 2, 33, 36, 37, 38, 39, 40, 31, 28, 27, 26, 25, 24 except (jt=lb) 35=101, 41=125, 29=102, 23=142.
 - 10) Warning: Additional permanent and stability bracing for truss system (not part of this component design) is always required.



March 5, 2018

WARNING - Verify design parameters and READ NOTES ON THIS AND INCLUDED MITEK REFERENCE PAGE MII-7473 rev. 10/03/2015 BEFORE USE.

Design valid for use only with MiTek® connectors. This design is based only upon parameters shown, and is for an individual building component, not a truss system. Before use, the building designer must verify the applicability of design parameters and properly incorporate this design into the overall building design. Bracing indicated is to prevent buckling of individual truss web and/or chord members only. Additional temporary and permanent bracing is always required for stability and to prevent collapse with possible personal injury and property damage. For general guidance regarding the fabrication, storage, delivery, erection and bracing of trusses and truss systems, see ANSITPI Quality Criteria, DSB-89 and BCSI Building Component Safety Information available from Truss Plate Institute, 218 N. Lee Street, Suite 312, Alexandria, VA 22314.

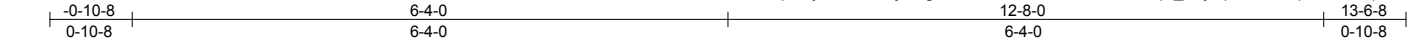


818 Soundside Road
Edenton, NC 27932

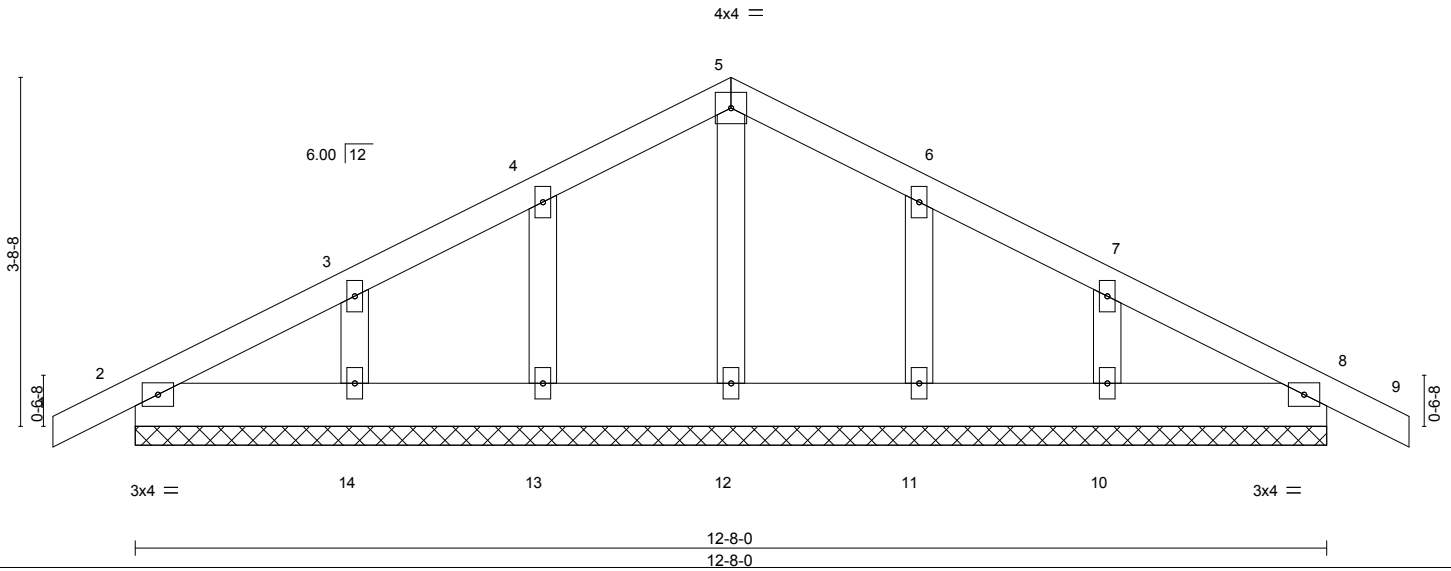
Job B0318-0842	Truss B1	Truss Type COMMON SUPPORTED GAB	Qty 1	Ply 1	Prelude A	E11514103
-------------------	-------------	------------------------------------	----------	----------	-----------	-----------

Comtech, Inc., Fayetteville, NC 28309

8.130 s Sep 15 2017 MiTek Industries, Inc. Mon Mar 5 08:42:46 2018 Page 1
ID:qBVty8JxTR2c0jvIHgLUvLzeJa3-vAo3e20Pn9u7mqA_xEyNpS9NSivxpuK74dTqEize0sN



Scale = 1:24.5



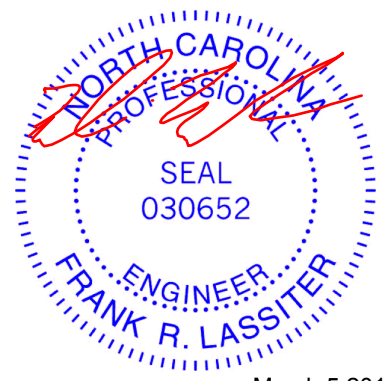
LOADING (psf)	SPACING-	CSL.	DEFL.	in (loc)	l/defl	L/d	PLATES	GRIP
TCLL 20.0	Plate Grip DOL 1.15	TC 0.07	Vert(LL) -0.00	8	n/r	120	MT20	244/190
TCDL 10.0	Lumber DOL 1.15	BC 0.02	Vert(TL) -0.00	8	n/r	120		
BCLL 0.0 *	Rep Stress Incr YES	WB 0.08	Horz(TL) 0.00	8	n/a	n/a		
BCDL 10.0	Code IRC2009/TPI2007	Matrix-S					Weight: 67 lb	FT = 20%

LUMBER-	BRACING-
TOP CHORD 2x4 SP No.1	TOP CHORD Structural wood sheathing directly applied or 6-0-0 oc purlins.
BOT CHORD 2x6 SP No.1	BOT CHORD Rigid ceiling directly applied or 10-0-0 oc bracing.
OTHERS 2x4 SP No.3	

REACTIONS. All bearings 12-8-0.
 (lb) - Max Horz 2=70(LC 6)
 Max Uplift All uplift 100 lb or less at joint(s) 2, 8, 13, 11 except 14=-106(LC 6), 10=-105(LC 7)
 Max Grav All reactions 250 lb or less at joint(s) 2, 8, 12, 13, 14, 11, 10

FORCES. (lb) - Max. Comp./Max. Ten. - All forces 250 (lb) or less except when shown.
 WEBS 3-14=-129/264, 7-10=-129/264

- NOTES-**
- 1) Unbalanced roof live loads have been considered for this design.
 - 2) Wind: ASCE 7-05; 110mph; TCDL=6.0psf; BCDL=5.0psf; h=15ft; Cat. II; Exp C; enclosed; MWFRS (low-rise) gable end zone and C-C Corner(3) zone; C-C for members and forces & MWFRS for reactions shown; Lumber DOL=1.60 plate grip DOL=1.60
 - 3) Truss designed for wind loads in the plane of the truss only. For studs exposed to wind (normal to the face), see Standard Industry Gable End Details as applicable, or consult qualified building designer as per ANSI/TPI 1.
 - 4) All plates are 2x4 MT20 unless otherwise indicated.
 - 5) Gable requires continuous bottom chord bearing.
 - 6) Gable studs spaced at 2-0-0 oc.
 - 7) This truss has been designed for a 10.0 psf bottom chord live load nonconcurrent with any other live loads.
 - 8) * This truss has been designed for a live load of 20.0psf on the bottom chord in all areas with a clearance greater than 6-0-0 between the bottom chord and any other members.
 - 9) Provide mechanical connection (by others) of truss to bearing plate capable of withstanding 100 lb uplift at joint(s) 2, 8, 13, 11 except (jt=lb) 14=106, 10=105.
 - 10) Beveled plate or shim required to provide full bearing surface with truss chord at joint(s) 2.



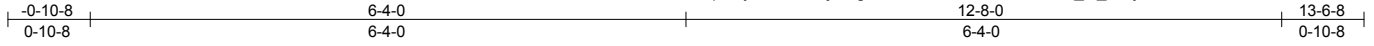
March 5, 2018

Job B0318-0842	Truss B2	Truss Type COMMON	Qty 1	Ply 1	Prelude A	E11514104
-------------------	-------------	----------------------	----------	----------	-----------	-----------

Comtech, Inc., Fayetteville, NC 28309

8.130 s Sep 15 2017 MiTek Industries, Inc. Mon Mar 5 08:42:47 2018 Page 1
ID:qBVty8JxTR2c0jvIHgLUvLzeJa3-NNMRrO11YT0_IBVyTcMfhT75DbYLwGJHCOn8ze0sM

Job Reference (optional)



Scale = 1:24.5

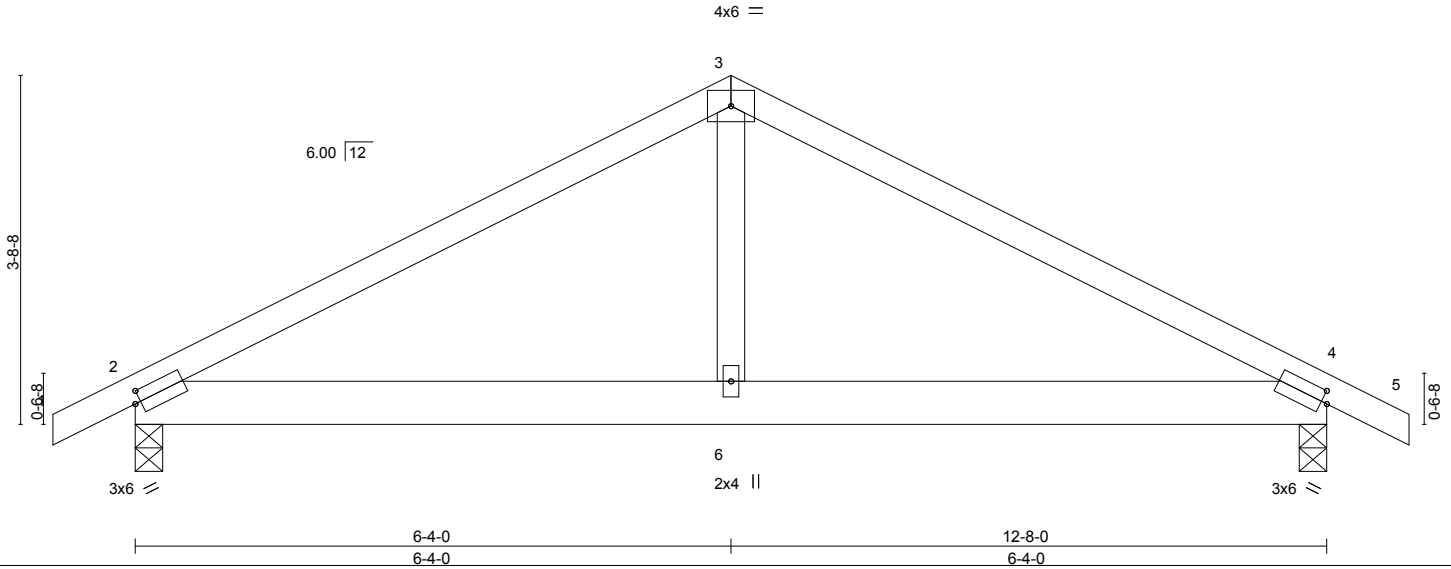


Plate Offsets (X,Y)-- [2:0-0-12,0-1-8], [4:0-0-12,0-1-8]

LOADING (psf)	SPACING-	CSI.	DEFL.	in (loc)	l/defl	L/d	PLATES	GRIP
TCLL 20.0	2-0-0	TC 0.33	Vert(LL)	-0.01	4-6	>999	MT20	244/190
TCDL 10.0	Plate Grip DOL 1.15	BC 0.18	Vert(TL)	-0.04	4-6	>999		
BCLL 0.0 *	Lumber DOL 1.15	WB 0.12	Horz(TL)	0.01	4	n/a		
BCDL 10.0	Rep Stress Incr YES	Matrix-S	Wind(LL)	0.02	4-6	>999		
	Code IRC2009/TPI2007						Weight: 58 lb	FT = 20%

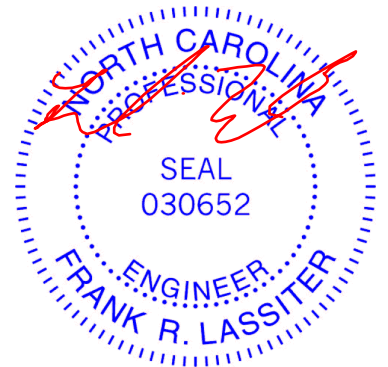
LUMBER-
TOP CHORD 2x4 SP No.1
BOT CHORD 2x6 SP No.1
WEBS 2x4 SP No.3

BRACING-
TOP CHORD Structural wood sheathing directly applied or 6-0-0 oc purlins.
BOT CHORD Rigid ceiling directly applied or 10-0-0 oc bracing.

REACTIONS. (lb/size) 2=556/0-3-8, 4=556/0-3-8
Max Horz 2=60(LC 6)
Max Uplift 2=-128(LC 6), 4=-128(LC 7)

FORCES. (lb) - Max. Comp./Max. Ten. - All forces 250 (lb) or less except when shown.
TOP CHORD 2-3=-690/365, 3-4=-690/365
BOT CHORD 2-6=-159/527, 4-6=-159/527
WEBS 3-6=-7/316

- NOTES-**
- Unbalanced roof live loads have been considered for this design.
 - Wind: ASCE 7-05; 110mph; TCDL=6.0psf; BCDL=5.0psf; h=15ft; Cat. II; Exp C; enclosed; MWFRS (low-rise) and C-C Exterior(2) zone; C-C for members and forces & MWFRS for reactions shown; Lumber DOL=1.60 plate grip DOL=1.60
 - This truss has been designed for a 10.0 psf bottom chord live load nonconcurrent with any other live loads.
 - * This truss has been designed for a live load of 20.0psf on the bottom chord in all areas with a clearance greater than 6-0-0 between the bottom chord and any other members.
 - Provide mechanical connection (by others) of truss to bearing plate capable of withstanding 100 lb uplift at joint(s) except (jt=lb) 2=128, 4=128.



March 5, 2018

WARNING - Verify design parameters and READ NOTES ON THIS AND INCLUDED MITEK REFERENCE PAGE MII-7473 rev. 10/03/2015 BEFORE USE.

Design valid for use only with MiTek® connectors. This design is based only upon parameters shown, and is for an individual building component, not a truss system. Before use, the building designer must verify the applicability of design parameters and properly incorporate this design into the overall building design. Bracing indicated is to prevent buckling of individual truss web and/or chord members only. Additional temporary and permanent bracing is always required for stability and to prevent collapse with possible personal injury and property damage. For general guidance regarding the fabrication, storage, delivery, erection and bracing of trusses and truss systems, see **ANSI/TPI1 Quality Criteria, DSB-89 and BCSI Building Component Safety Information** available from Truss Plate Institute, 218 N. Lee Street, Suite 312, Alexandria, VA 22314.



818 Soundside Road
Edenton, NC 27932

Job B0318-0842	Truss B3	Truss Type Common Girder	Qty 1	Ply 2	Prelude A	E11514105
-------------------	-------------	-----------------------------	----------	----------	-----------	-----------

Comtech, Inc., Fayetteville, NC 28309

8.130 s Sep 15 2017 MiTek Industries, Inc. Mon Mar 5 08:42:48 2018 Page 1
ID:qBvTy8JxTR2c0jvIHgLUvLzeJa3-rZwq3k2fJm9r?8KN3f_rvtEfCVTuHd0OQYxyxJaze0sL

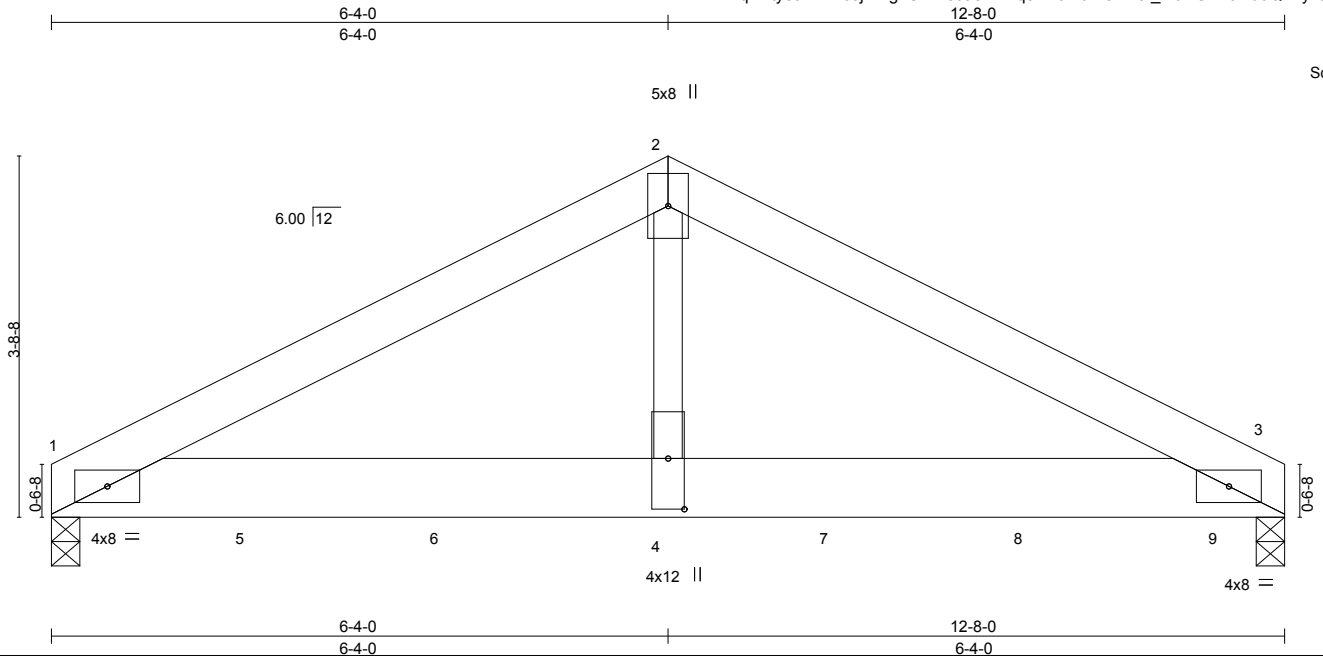


Plate Offsets (X,Y)-- [4:0-6-4-0-2-0]

LOADING (psf)	SPACING-	CSI.	DEFL.	in (loc)	l/defl	L/d	PLATES	GRIP
TCLL 20.0	Plate Grip DOL 1.15	TC 0.31	Vert(LL) -0.07	3-4	>999	360	MT20	244/190
TCDL 10.0	Lumber DOL 1.15	BC 0.56	Vert(TL) -0.15	3-4	>970	240		
BCLL 0.0 *	Rep Stress Incr NO	WB 0.77	Horz(TL) 0.03	3	n/a	n/a		
BCDL 10.0	Code IRC2009/TPI2007	Matrix-S	Wind(LL) 0.05	3-4	>999	240		
							Weight: 154 lb	FT = 20%

LUMBER-

TOP CHORD 2x6 SP No.1
BOT CHORD 2x8 SP 2400F 2.0E
WEBS 2x4 SP No.2

BRACING-

TOP CHORD Structural wood sheathing directly applied or 5-9-14 oc purlins.
BOT CHORD Rigid ceiling directly applied or 10-0-0 oc bracing.

REACTIONS. (lb/size) 1=4944/0-3-8, 3=6223/0-3-8
Max Horz 1=-49(LC 11)
Max Uplift 1=-702(LC 5), 3=-878(LC 6)

FORCES. (lb) - Max. Comp./Max. Ten. - All forces 250 (lb) or less except when shown.

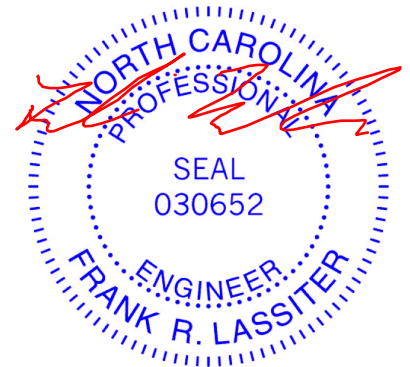
TOP CHORD 1-2=-7518/1066, 2-3=-7513/1065
BOT CHORD 1-4=-901/6664, 3-4=-901/6664
WEBS 2-4=-804/6284

NOTES-

- 2-ply truss to be connected together with 10d (0.131"x3") nails as follows:
Top chords connected as follows: 2x6 - 2 rows staggered at 0-9-0 oc.
Bottom chords connected as follows: 2x8 - 3 rows staggered at 0-2-0 oc.
Webs connected as follows: 2x4 - 1 row at 0-9-0 oc.
- All loads are considered equally applied to all plies, except if noted as front (F) or back (B) face in the LOAD CASE(S) section. Ply to ply connections have been provided to distribute only loads noted as (F) or (B), unless otherwise indicated.
- Unbalanced roof live loads have been considered for this design.
- Wind: ASCE 7-05; 110mph; TCDL=6.0psf; BCDL=5.0psf; h=15ft; Cat. II; Exp C; enclosed; MWFRS (low-rise); Lumber DOL=1.60 plate grip DOL=1.60
- This truss has been designed for a 10.0 psf bottom chord live load nonconcurrent with any other live loads.
- * This truss has been designed for a live load of 20.0psf on the bottom chord in all areas with a clearance greater than 6-0-0 between the bottom chord and any other members.
- Provide mechanical connection (by others) of truss to bearing plate capable of withstanding 100 lb uplift at joint(s) except (jt=lb) 1=702, 3=878.
- Hanger(s) or other connection device(s) shall be provided sufficient to support concentrated load(s) 1695 lb down and 238 lb up at 2-0-12, 1695 lb down and 238 lb up at 4-0-12, 1695 lb down and 238 lb up at 6-0-12, 1695 lb down and 238 lb up at 8-0-12, and 1695 lb down and 238 lb up at 10-0-12, and 1701 lb down and 236 lb up at 12-0-12 on bottom chord. The design/selection of such connection device(s) is the responsibility of others.

LOAD CASE(S) Standard

- Dead + Roof Live (balanced) + Uninhab. Attic Storage: Lumber Increase=1.15, Plate Increase=1.15
Uniform Loads (plf)
Vert: 1-2=-60, 2-3=-60, 1-3=-20
Concentrated Loads (lb)
Vert: 4=-1695(B) 5=-1695(B) 6=-1695(B) 7=-1695(B) 8=-1695(B) 9=-1701(B)



March 5, 2018

WARNING - Verify design parameters and READ NOTES ON THIS AND INCLUDED MITEK REFERENCE PAGE MII-7473 rev. 10/03/2015 BEFORE USE.

Design valid for use only with MiTek® connectors. This design is based only upon parameters shown, and is for an individual building component, not a truss system. Before use, the building designer must verify the applicability of design parameters and properly incorporate this design into the overall building design. Bracing indicated is to prevent buckling of individual truss web and/or chord members only. Additional temporary and permanent bracing is always required for stability and to prevent collapse with possible personal injury and property damage. For general guidance regarding the fabrication, storage, delivery, erection and bracing of trusses and truss systems, see ANSITPI1 Quality Criteria, DSB-89 and BCSI Building Component Safety Information available from Truss Plate Institute, 218 N. Lee Street, Suite 312, Alexandria, VA 22314.

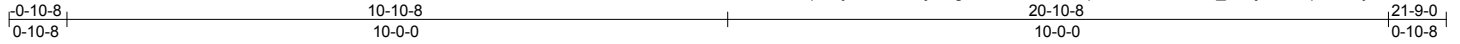


818 Soundside Road
Edenton, NC 27932

Job B0318-0842	Truss G1	Truss Type COMMON SUPPORTED GAB	Qty 1	Ply 1	Prelude A	E11514106
-------------------	-------------	------------------------------------	----------	----------	-----------	-----------

Comtech, Inc., Fayetteville, NC 28309

8.130 s Sep 15 2017 MiTek Industries, Inc. Mon Mar 5 08:42:48 2018 Page 1
ID:qBVty8JxTR2c0jvIHgLUvLzeJa3-rZwq3k2fJm9r?8KN3f_rvtEj1VbJHp6QYxyxJaze0sL



Scale = 1:34.9

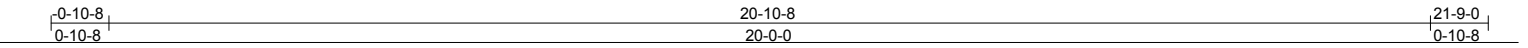
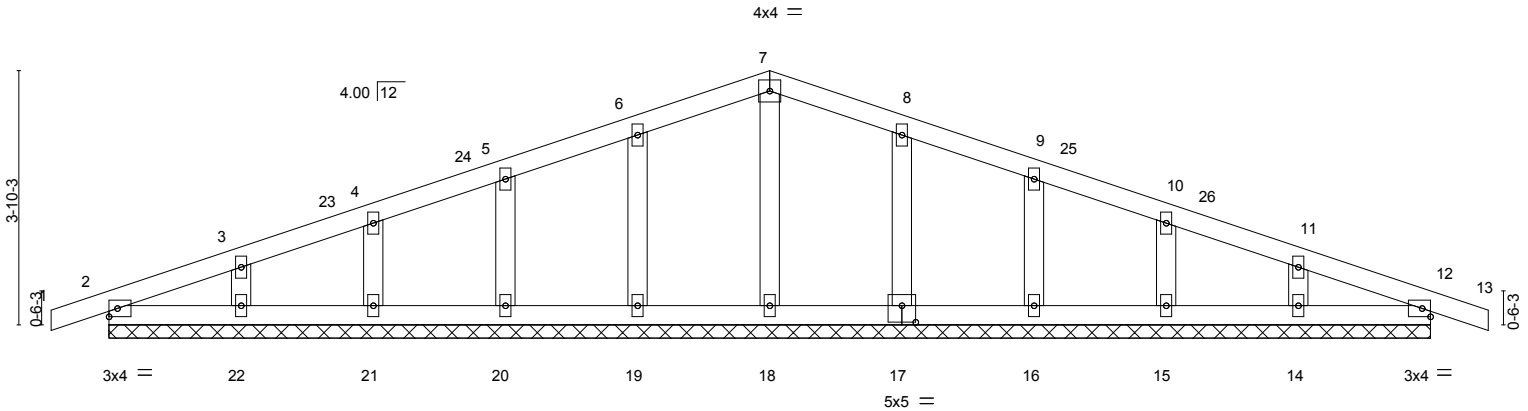


Plate Offsets (X,Y)-- [17:0-2-8,0-3-0]

LOADING (psf)	SPACING-	2-0-0	CSI.	DEFL.	in (loc)	l/defl	L/d	PLATES	GRIP
TCLL 20.0	Plate Grip DOL	1.15	TC 0.06	Vert(LL)	-0.00	12	n/r	MT20	244/190
TCDL 10.0	Lumber DOL	1.15	BC 0.02	Vert(TL)	-0.00	12	n/r		
BCLL 0.0 *	Rep Stress Incr	YES	WB 0.06	Horz(TL)	0.00	12	n/a		
BCDL 10.0	Code IRC2009/TPI2007		Matrix-S						
								Weight: 88 lb	FT = 20%

LUMBER-
TOP CHORD 2x4 SP No.1
BOT CHORD 2x4 SP No.1
OTHERS 2x4 SP No.3

BRACING-
TOP CHORD Structural wood sheathing directly applied or 6-0-0 oc purlins.
BOT CHORD Rigid ceiling directly applied or 10-0-0 oc bracing.

REACTIONS. All bearings 20-0-0.
(lb) - Max Horz 2=-67(LC 5)
Max Uplift All uplift 100 lb or less at joint(s) 12, 19, 20, 21, 22, 17, 16, 15, 14, 2
Max Grav All reactions 250 lb or less at joint(s) 12, 18, 19, 20, 21, 22, 17, 16, 15, 14, 2

FORCES. (lb) - Max. Comp./Max. Ten. - All forces 250 (lb) or less except when shown.

- NOTES-**
- 1) Unbalanced roof live loads have been considered for this design.
 - 2) Wind: ASCE 7-05; 110mph; TCDL=6.0psf; BCDL=5.0psf; h=15ft; Cat. II; Exp C; enclosed; MWFRS (low-rise) gable end zone and C-C Corner(3) -0-10-8 to 3-6-5, Exterior(2) 3-6-5 to 5-7-3, Corner(3) 5-7-3 to 10-0-0, Exterior(2) 14-4-13 to 16-5-11 zone; C-C for members and forces & MWFRS for reactions shown; Lumber DOL=1.60 plate grip DOL=1.60
 - 3) Truss designed for wind loads in the plane of the truss only. For studs exposed to wind (normal to the face), see Standard Industry Gable End Details as applicable, or consult qualified building designer as per ANSI/TPI 1.
 - 4) All plates are 2x4 MT20 unless otherwise indicated.
 - 5) Gable requires continuous bottom chord bearing.
 - 6) Gable studs spaced at 2-0-0 oc.
 - 7) This truss has been designed for a 10.0 psf bottom chord live load nonconcurrent with any other live loads.
 - 8) * This truss has been designed for a live load of 20.0psf on the bottom chord in all areas with a clearance greater than 6-0-0 between the bottom chord and any other members.
 - 9) Provide mechanical connection (by others) of truss to bearing plate capable of withstanding 100 lb uplift at joint(s) 12, 19, 20, 21, 22, 17, 16, 15, 14, 2.
 - 10) See Standard Industry Piggyback Truss Connection Detail for Connection to base truss as applicable, or consult qualified building designer.



March 5, 2018

WARNING - Verify design parameters and READ NOTES ON THIS AND INCLUDED MITTEK REFERENCE PAGE MII-7473 rev. 10/03/2015 BEFORE USE.

Design valid for use only with MiTek® connectors. This design is based only upon parameters shown, and is for an individual building component, not a truss system. Before use, the building designer must verify the applicability of design parameters and properly incorporate this design into the overall building design. Bracing indicated is to prevent buckling of individual truss web and/or chord members only. Additional temporary and permanent bracing is always required for stability and to prevent collapse with possible personal injury and property damage. For general guidance regarding the fabrication, storage, delivery, erection and bracing of trusses and truss systems, see **ANSI/TPI1 Quality Criteria, DSB-89 and BCSI Building Component Safety Information** available from Truss Plate Institute, 218 N. Lee Street, Suite 312, Alexandria, VA 22314.

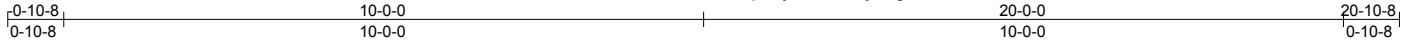


818 Soundside Road
Edenton, NC 27932

Job B0318-0842	Truss G2	Truss Type Common	Qty 5	Ply 1	Prelude A	E11514107
-------------------	-------------	----------------------	----------	----------	-----------	-----------

Comtech, Inc., Fayetteville, NC 28309

8.130 s Sep 15 2017 MiTek Industries, Inc. Mon Mar 5 08:42:49 2018 Page 1
ID:qBVty8JxTR2c0jvIHgLUvLzeJa3-KIUCG42H44HidlvZcNV4R4mlTvk0EbZmbhUr1ze0sK



Scale = 1:36.0

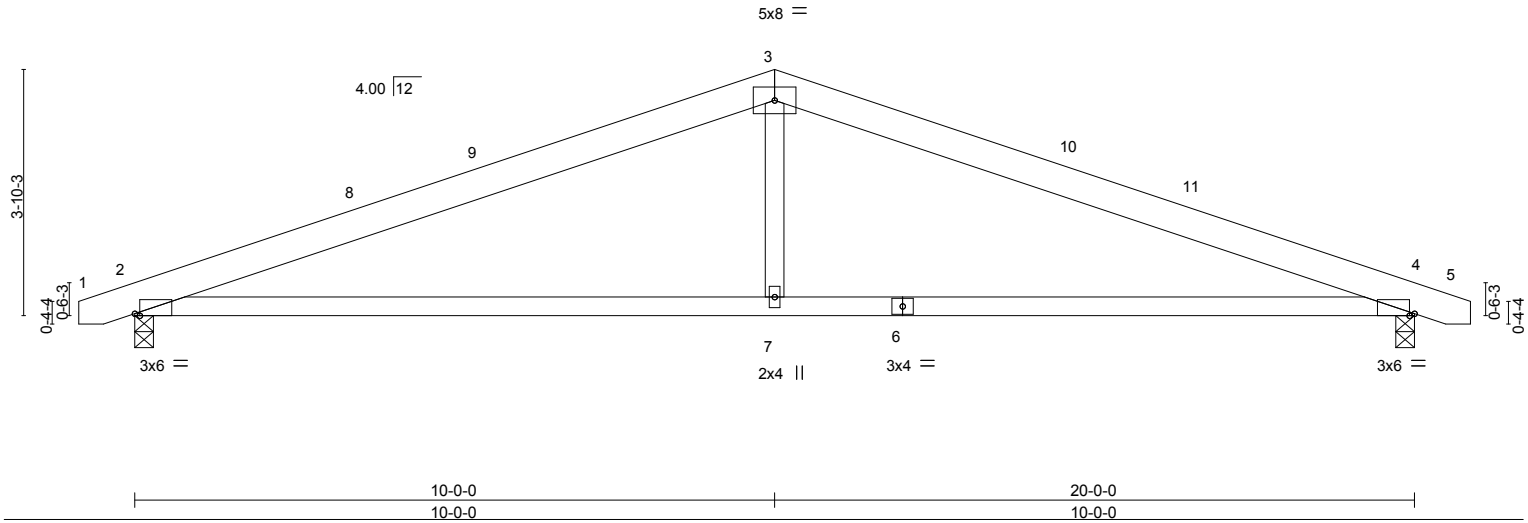


Plate Offsets (X,Y)-- [2:0-0-15,Edge], [4:0-0-15,Edge]

LOADING (psf)	SPACING-	CSI.	DEFL.	PLATES	GRIP
TCLL 20.0	2-0-0	TC 0.59	in (loc) l/defl L/d	MT20	244/190
TCDL 10.0	Plate Grip DOL 1.15	BC 0.78	Vert(LL) -0.17 2-7 >999 360		
BCLL 0.0 *	Lumber DOL 1.15	WB 0.17	Vert(TL) -0.48 2-7 >491 240		
BCDL 10.0	Rep Stress Incr YES	Matrix-S	Horz(TL) 0.05 4 n/a n/a		
	Code IRC2009/TP12007		Wind(LL) 0.07 2-7 >999 240	Weight: 88 lb	FT = 20%

LUMBER-
TOP CHORD 2x6 SP No.1
BOT CHORD 2x4 SP No.1
WEBS 2x4 SP No.3

BRACING-
TOP CHORD Structural wood sheathing directly applied or 5-0-13 oc purlins.
BOT CHORD Rigid ceiling directly applied or 9-1-5 oc bracing.

REACTIONS. (lb/size) 4=838/0-3-8, 2=838/0-3-8
Max Horz 2=-54(LC 7)
Max Uplift 4=-180(LC 5), 2=-180(LC 4)

FORCES. (lb) - Max. Comp./Max. Ten. - All forces 250 (lb) or less except when shown.
TOP CHORD 2-3=-1438/620, 3-4=-1438/620
BOT CHORD 2-7=-462/1294, 4-7=-462/1294
WEBS 3-7=0/455

- NOTES-**
- Unbalanced roof live loads have been considered for this design.
 - Wind: ASCE 7-05; 110mph; TCDL=6.0psf; BCDL=5.0psf; h=15ft; Cat. II; Exp C; enclosed; MWFRS (low-rise) and C-C Exterior(2) -0-8-3 to 3-8-10, Interior(1) 3-8-10 to 5-7-3, Exterior(2) 5-7-3 to 10-0-0, Interior(1) 14-4-13 to 16-3-6 zone;C-C for members and forces & MWFRS for reactions shown; Lumber DOL=1.60 plate grip DOL=1.60
 - This truss has been designed for a 10.0 psf bottom chord live load nonconcurrent with any other live loads.
 - * This truss has been designed for a live load of 20.0psf on the bottom chord in all areas with a clearance greater than 6-0-0 between the bottom chord and any other members.
 - Provide mechanical connection (by others) of truss to bearing plate capable of withstanding 100 lb uplift at joint(s) except (jt=lb) 4=180, 2=180.
 - See Standard Industry Piggyback Truss Connection Detail for Connection to base truss as applicable, or consult qualified building designer.



March 5, 2018

Job B0318-0842	Truss M1	Truss Type GABLE	Qty 1	Ply 1	Prelude A	E11514108
-------------------	-------------	---------------------	----------	----------	-----------	-----------

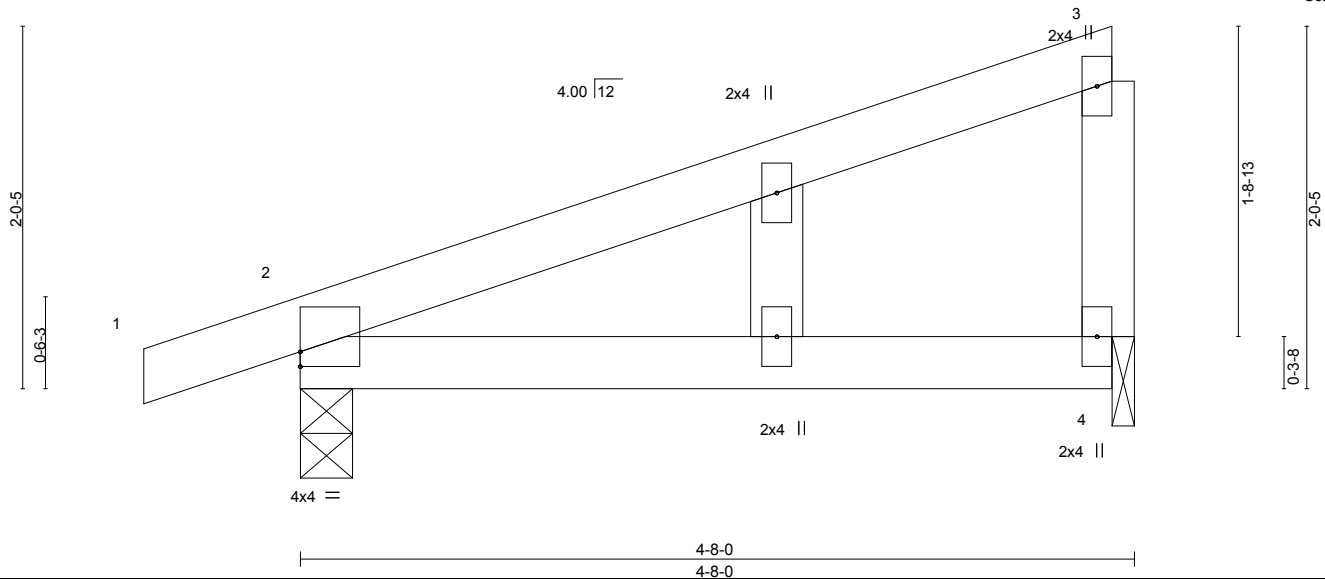
Comtech, Inc., Fayetteville, NC 28309

8.130 s Sep 15 2017 MiTek Industries, Inc. Mon Mar 5 08:42:50 2018 Page 1

ID:qBVty8JxTR2c0jvIHgLUvLzeJa3-oy2aUQ3vrOPZFSUmA40J_IJ_Y7GJjYj?FR2NTze0sJ

-0-10-8
0-10-8

4-8-0
4-8-0



Scale = 1:12.9

Plate Offsets (X,Y)-- [2:0-0-0,0-1-0]

LOADING (psf)	SPACING-	CSI.	DEFL.	in (loc)	l/defl	L/d	PLATES	GRIP
TCLL 20.0	Plate Grip DOL 1.15	TC 0.38	Vert(LL) -0.02	2-4	>999	360	MT20	244/190
TCDL 10.0	Lumber DOL 1.15	BC 0.63	Vert(TL) -0.05	2-4	>999	240		
BCLL 0.0 *	Rep Stress Incr YES	WB 0.00	Horz(TL) -0.00	4	n/a	n/a		
BCDL 10.0	Code IRC2009/TPI2007	Matrix-P	Wind(LL) 0.00	2	****	240		
							Weight: 19 lb	FT = 20%

LUMBER-

TOP CHORD 2x4 SP No.1
 BOT CHORD 2x4 SP No.1
 WEBS 2x4 SP No.3
 OTHERS 2x4 SP No.3

BRACING-

TOP CHORD Structural wood sheathing directly applied or 4-8-0 oc purlins, except end verticals.
 BOT CHORD Rigid ceiling directly applied or 10-0-0 oc bracing.

REACTIONS. (lb/size) 2=243/0-3-8, 4=166/0-1-8
 Max Horz 2=102(LC 4)
 Max Uplift 2=-131(LC 4), 4=-84(LC 4)

FORCES. (lb) - Max. Comp./Max. Ten. - All forces 250 (lb) or less except when shown.
 TOP CHORD 3-4=-123/266

NOTES-

- 1) Wind: ASCE 7-05; 110mph; TCDL=6.0psf; BCDL=5.0psf; h=15ft; Cat. II; Exp C; enclosed; MWFRS (low-rise) gable end zone and C-C Corner(3) zone; C-C for members and forces & MWFRS for reactions shown; Lumber DOL=1.60 plate grip DOL=1.60
- 2) Truss designed for wind loads in the plane of the truss only. For studs exposed to wind (normal to the face), see Standard Industry Gable End Details as applicable, or consult qualified building designer as per ANSI/TPI 1.
- 3) Gable studs spaced at 2-0-0 oc.
- 4) This truss has been designed for a 10.0 psf bottom chord live load nonconcurrent with any other live loads.
- 5) * This truss has been designed for a live load of 20.0psf on the bottom chord in all areas with a clearance greater than 6-0-0 between the bottom chord and any other members.
- 6) Bearing at joint(s) 4 considers parallel to grain value using ANSI/TPI 1 angle to grain formula. Building designer should verify capacity of bearing surface.
- 7) Provide mechanical connection (by others) of truss to bearing plate at joint(s) 4.
- 8) Provide mechanical connection (by others) of truss to bearing plate capable of withstanding 100 lb uplift at joint(s) 4 except (jt=lb) 2=131.
- 9) See Standard Industry Piggyback Truss Connection Detail for Connection to base truss as applicable, or consult qualified building designer.



March 5, 2018

WARNING - Verify design parameters and READ NOTES ON THIS AND INCLUDED MITEK REFERENCE PAGE MII-7473 rev. 10/03/2015 BEFORE USE.

Design valid for use only with MiTek® connectors. This design is based only upon parameters shown, and is for an individual building component, not a truss system. Before use, the building designer must verify the applicability of design parameters and properly incorporate this design into the overall building design. Bracing indicated is to prevent buckling of individual truss web and/or chord members only. Additional temporary and permanent bracing is always required for stability and to prevent collapse with possible personal injury and property damage. For general guidance regarding the fabrication, storage, delivery, erection and bracing of trusses and truss systems, see **ANSI/TPI1 Quality Criteria, DSB-89 and BCSI Building Component Safety Information** available from Truss Plate Institute, 218 N. Lee Street, Suite 312, Alexandria, VA 22314.



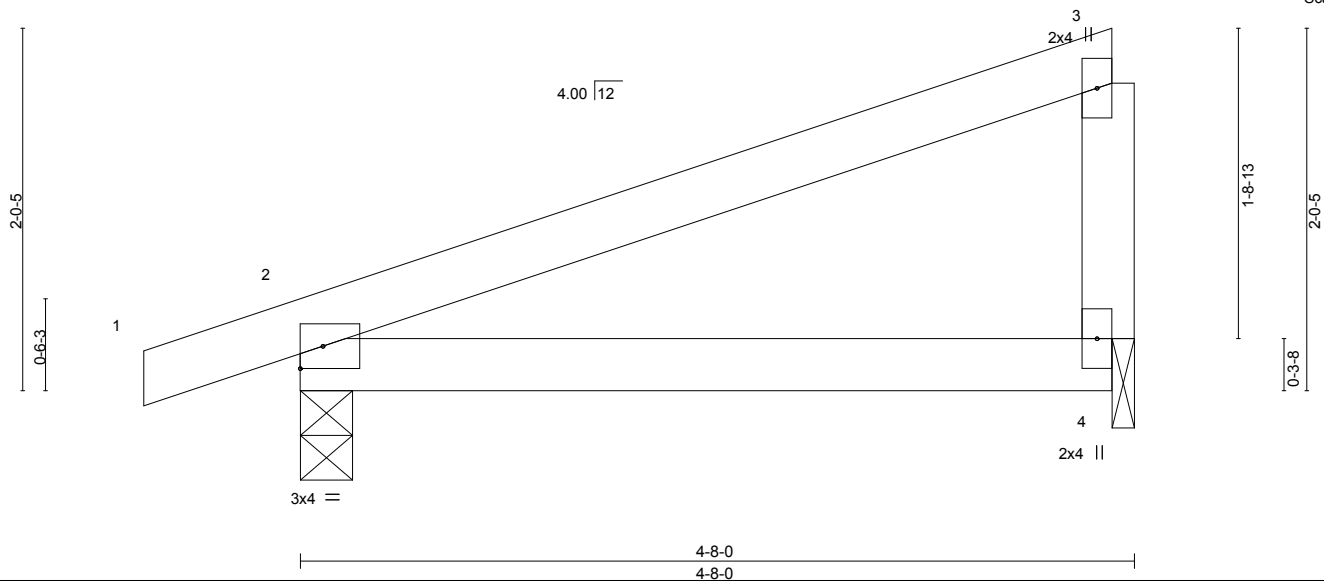
818 Soundside Road
 Edenton, NC 27932

Job B0318-0842	Truss M2	Truss Type MONOPITCH	Qty 3	Ply 1	Prelude A	E11514109
-------------------	-------------	-------------------------	----------	----------	-----------	-----------

Comtech, Inc., Fayetteville, NC 28309

8.130 s Sep 15 2017 MiTek Industries, Inc. Mon Mar 5 08:42:50 2018 Page 1

ID:qBVty8JxTR2c0jvIHgLUvLzeJa3-oy2aUQ3vrOPZFUSmAA40J_IJ0gJA_ljYj?FR2NTze0sJ



Scale = 1:12.9

LOADING (psf)	SPACING-		CSI.	DEFL.	in	(loc)	l/defl	L/d	PLATES	GRIP
TCLL 20.0	Plate Grip DOL 1.15	2-0-0	TC 0.24	Vert(LL) -0.02	2-4	>999	360		MT20	244/190
TCDL 10.0	Lumber DOL 1.15		BC 0.39	Vert(TL) -0.05	2-4	>999	240			
BCLL 0.0 *	Rep Stress Incr YES		WB 0.00	Horz(TL) 0.00	4	n/a	n/a			
BCDL 10.0	Code IRC2009/TPI2007		Matrix-P	Wind(LL) 0.00	2	****	240		Weight: 18 lb	FT = 20%

LUMBER-

TOP CHORD 2x4 SP No.1
 BOT CHORD 2x4 SP No.1
 WEBS 2x4 SP No.3

BRACING-

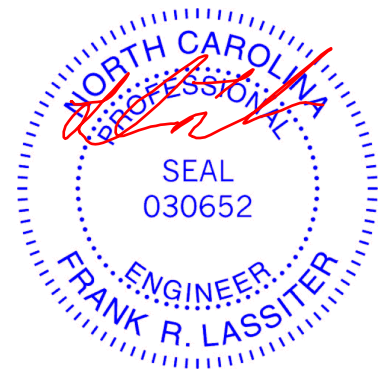
TOP CHORD Structural wood sheathing directly applied or 4-8-0 oc purlins, except end verticals.
 BOT CHORD Rigid ceiling directly applied or 10-0-0 oc bracing.

REACTIONS. (lb/size) 2=243/0-3-8, 4=166/0-1-8
 Max Horz 2=71(LC 4)
 Max Uplift 2=-80(LC 4), 4=-43(LC 4)

FORCES. (lb) - Max. Comp./Max. Ten. - All forces 250 (lb) or less except when shown.

NOTES-

- 1) Wind: ASCE 7-05; 110mph; TCDL=6.0psf; BCDL=5.0psf; h=15ft; Cat. II; Exp C; enclosed; MWFRS (low-rise) and C-C Exterior(2) zone; C-C for members and forces & MWFRS for reactions shown; Lumber DOL=1.60 plate grip DOL=1.60
- 2) This truss has been designed for a 10.0 psf bottom chord live load nonconcurrent with any other live loads.
- 3) * This truss has been designed for a live load of 20.0psf on the bottom chord in all areas with a clearance greater than 6-0-0 between the bottom chord and any other members.
- 4) Bearing at joint(s) 4 considers parallel to grain value using ANSI/TPI 1 angle to grain formula. Building designer should verify capacity of bearing surface.
- 5) Provide mechanical connection (by others) of truss to bearing plate at joint(s) 4.
- 6) Provide mechanical connection (by others) of truss to bearing plate capable of withstanding 100 lb uplift at joint(s) 2, 4.
- 7) See Standard Industry Piggyback Truss Connection Detail for Connection to base truss as applicable, or consult qualified building designer.



March 5, 2018

WARNING - Verify design parameters and READ NOTES ON THIS AND INCLUDED MITEK REFERENCE PAGE MII-7473 rev. 10/03/2015 BEFORE USE.

Design valid for use only with MiTek® connectors. This design is based only upon parameters shown, and is for an individual building component, not a truss system. Before use, the building designer must verify the applicability of design parameters and properly incorporate this design into the overall building design. Bracing indicated is to prevent buckling of individual truss web and/or chord members only. Additional temporary and permanent bracing is always required for stability and to prevent collapse with possible personal injury and property damage. For general guidance regarding the fabrication, storage, delivery, erection and bracing of trusses and truss systems, see ANSI/TPI1 Quality Criteria, DSB-89 and BCSI Building Component Safety Information available from Truss Plate Institute, 218 N. Lee Street, Suite 312, Alexandria, VA 22314.



818 Soundside Road
 Edenton, NC 27932

Job B0318-0842	Truss MP-1	Truss Type GABLE	Qty 2	Ply 1	Prelude A	E11514110
-------------------	---------------	---------------------	----------	----------	-----------	-----------

Comtech, Inc., Fayetteville, NC 28309

8.130 s Sep 15 2017 MiTek Industries, Inc. Mon Mar 5 08:42:51 2018 Page 1

ID:qBVty8JxTR2c0jvIHgLUvLzeJa3-G8byhm4XchXQsb2ykoXYWVs64jZaUAnsEvAbwvze0sl

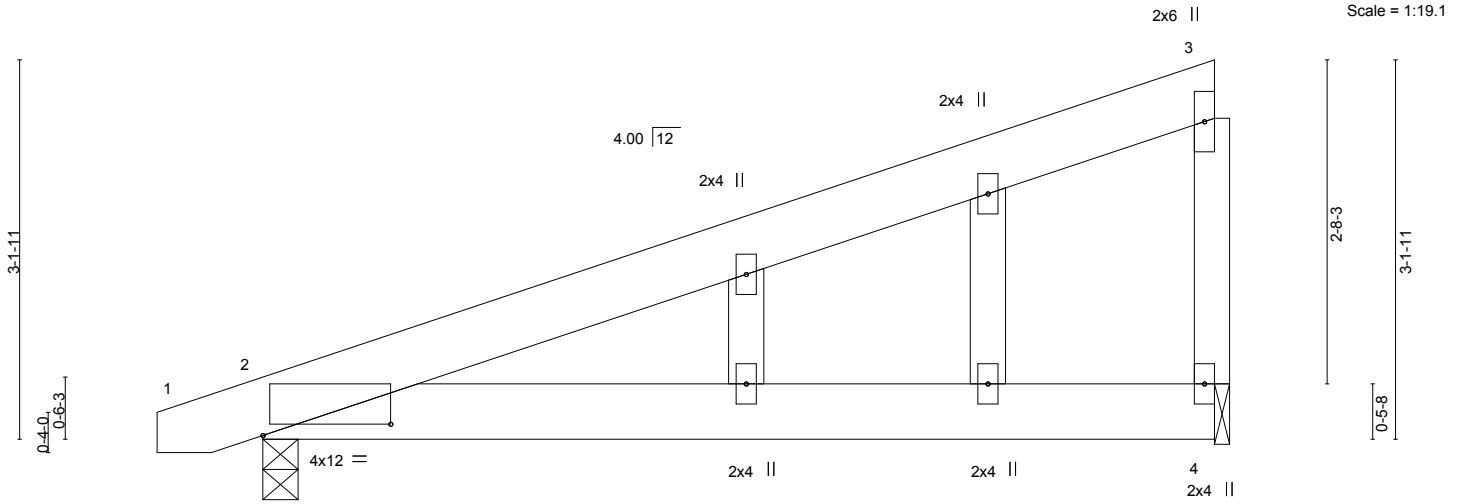


Plate Offsets (X,Y)-- [2:1-0-11,0-1-2]

LOADING (psf)	SPACING-	CSL	DEFL.	in (loc)	l/defl	L/d	PLATES	GRIP
TCLL 20.0	Plate Grip DOL 1.15	TC 0.52	Vert(LL) -0.05	2-4	>999	360	MT20	244/190
TCDL 10.0	Lumber DOL 1.15	BC 0.24	Vert(TL) -0.12	2-4	>775	240		
BCLL 0.0 *	Rep Stress Incr YES	WB 0.00	Horz(TL) -0.00	4	n/a	n/a		
BCDL 10.0	Code IRC2009/TPI2007	Matrix-P	Wind(LL) 0.00	2	****	240		
							Weight: 47 lb	FT = 20%

LUMBER-

TOP CHORD 2x6 SP No.1
 BOT CHORD 2x6 SP No.1
 WEBS 2x4 SP No.3
 OTHERS 2x4 SP No.3

BRACING-

TOP CHORD Structural wood sheathing directly applied or 6-0-0 oc purlins, except end verticals.
 BOT CHORD Rigid ceiling directly applied or 10-0-0 oc bracing.

REACTIONS.

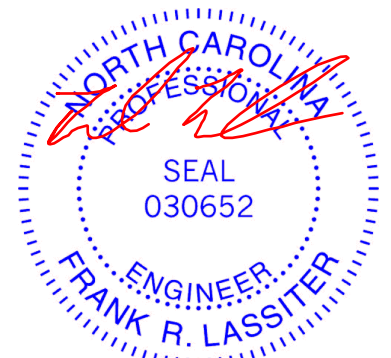
(lb/size) 2=359/0-3-8, 4=303/0-1-8
 Max Horz 2=161(LC 4)
 Max Uplift 2=-161(LC 4), 4=-151(LC 4)

FORCES.

(lb) - Max. Comp./Max. Ten. - All forces 250 (lb) or less except when shown.
 TOP CHORD 3-4=-226/440

NOTES-

- 1) Wind: ASCE 7-05; 110mph; TCDL=6.0psf; BCDL=5.0psf; h=15ft; Cat. II; Exp C; enclosed; MWFRS (low-rise) gable end zone and C-C Corner(3) zone; C-C for members and forces & MWFRS for reactions shown; Lumber DOL=1.60 plate grip DOL=1.60
- 2) Truss designed for wind loads in the plane of the truss only. For studs exposed to wind (normal to the face), see Standard Industry Gable End Details as applicable, or consult qualified building designer as per ANSI/TPI 1.
- 3) Gable studs spaced at 2-0-0 oc.
- 4) This truss has been designed for a 10.0 psf bottom chord live load nonconcurrent with any other live loads.
- 5) * This truss has been designed for a live load of 20.0psf on the bottom chord in all areas with a clearance greater than 6-0-0 between the bottom chord and any other members.
- 6) Bearing at joint(s) 4 considers parallel to grain value using ANSI/TPI 1 angle to grain formula. Building designer should verify capacity of bearing surface.
- 7) Provide mechanical connection (by others) of truss to bearing plate at joint(s) 4.
- 8) Provide mechanical connection (by others) of truss to bearing plate capable of withstanding 100 lb uplift at joint(s) except (jt=lb) 2=161, 4=151.
- 9) See Standard Industry Piggyback Truss Connection Detail for Connection to base truss as applicable, or consult qualified building designer.



March 5, 2018

WARNING - Verify design parameters and READ NOTES ON THIS AND INCLUDED MITEK REFERENCE PAGE MII-7473 rev. 10/03/2015 BEFORE USE.

Design valid for use only with MiTek® connectors. This design is based only upon parameters shown, and is for an individual building component, not a truss system. Before use, the building designer must verify the applicability of design parameters and properly incorporate this design into the overall building design. Bracing indicated is to prevent buckling of individual truss web and/or chord members only. Additional temporary and permanent bracing is always required for stability and to prevent collapse with possible personal injury and property damage. For general guidance regarding the fabrication, storage, delivery, erection and bracing of trusses and truss systems, see **ANSI/TPI1 Quality Criteria, DSB-89 and BCSI Building Component Safety Information** available from Truss Plate Institute, 218 N. Lee Street, Suite 312, Alexandria, VA 22314.



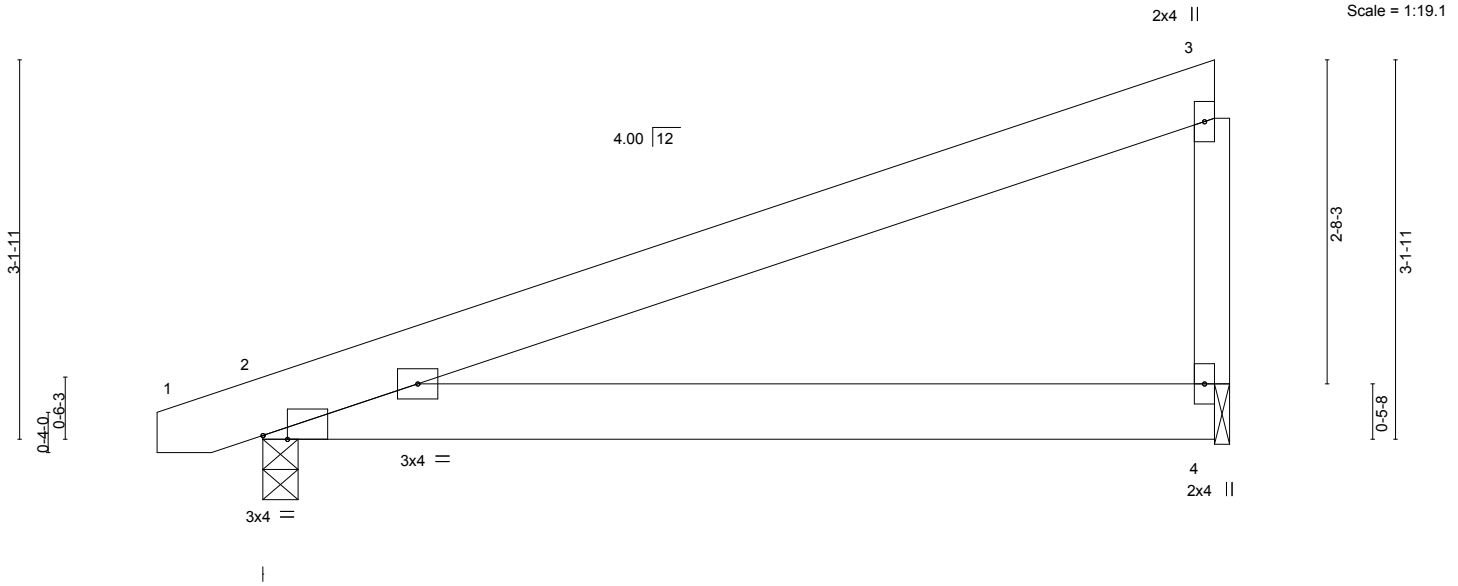
818 Soundside Road
 Edenton, NC 27932

Job B0318-0842	Truss MP-2	Truss Type MONOPITCH	Qty 4	Ply 1	Prelude A	E11514111
-------------------	---------------	-------------------------	----------	----------	-----------	-----------

Comtech, Inc., Fayetteville, NC 28309

8.130 s Sep 15 2017 MiTek Industries, Inc. Mon Mar 5 08:42:51 2018 Page 1

ID:qBVty8JxTR2c0jvIHgLUvLzeJa3-G8byhm4XchXQsb2ykoXYWVs9RJYbUAnsEvAbwvze0sl



LOADING (psf)		SPACING-		CSI.		DEFL.				PLATES	GRIP	
TCLL	20.0	Plate Grip DOL	1.15	TC	0.37	Vert(LL)	-0.05	2-4	>999	360	MT20	244/190
TCDL	10.0	Lumber DOL	1.15	BC	0.31	Vert(TL)	-0.12	2-4	>775	240		
BCLL	0.0 *	Rep Stress Incr	YES	WB	0.00	Horz(TL)	0.00	4	n/a	n/a		
BCDL	10.0	Code	IRC2009/TPI2007	Matrix-P		Wind(LL)	0.12	2-4	>743	240	Weight: 43 lb	FT = 20%

LUMBER-
TOP CHORD 2x6 SP No.1
BOT CHORD 2x6 SP No.1
WEBS 2x4 SP No.3

BRACING-
TOP CHORD Structural wood sheathing directly applied or 6-0-0 oc purlins, except end verticals.
BOT CHORD Rigid ceiling directly applied or 10-0-0 oc bracing.

REACTIONS. (lb/size) 2=359/0-3-8, 4=303/0-1-8
Max Horz 2=113(LC 4)
Max Uplift 2=-206(LC 4), 4=-196(LC 4)

FORCES. (lb) - Max. Comp./Max. Ten. - All forces 250 (lb) or less except when shown.
TOP CHORD 3-4=-226/277

- NOTES-**
- 1) Wind: ASCE 7-05; 110mph; TCDL=6.0psf; BCDL=5.0psf; h=15ft; Cat. II; Exp C; enclosed; MWFRS (low-rise) and C-C Exterior(2) zone; porch left exposed;C-C for members and forces & MWFRS for reactions shown; Lumber DOL=1.60 plate grip DOL=1.60
 - 2) This truss has been designed for a 10.0 psf bottom chord live load nonconcurrent with any other live loads.
 - 3) * This truss has been designed for a live load of 20.0psf on the bottom chord in all areas with a clearance greater than 6-0-0 between the bottom chord and any other members.
 - 4) Bearing at joint(s) 4 considers parallel to grain value using ANSI/TPI 1 angle to grain formula. Building designer should verify capacity of bearing surface.
 - 5) Provide mechanical connection (by others) of truss to bearing plate at joint(s) 4.
 - 6) Provide mechanical connection (by others) of truss to bearing plate capable of withstanding 100 lb uplift at joint(s) except (jt=lb) 2=206, 4=196.
 - 7) See Standard Industry Piggyback Truss Connection Detail for Connection to base truss as applicable, or consult qualified building designer.

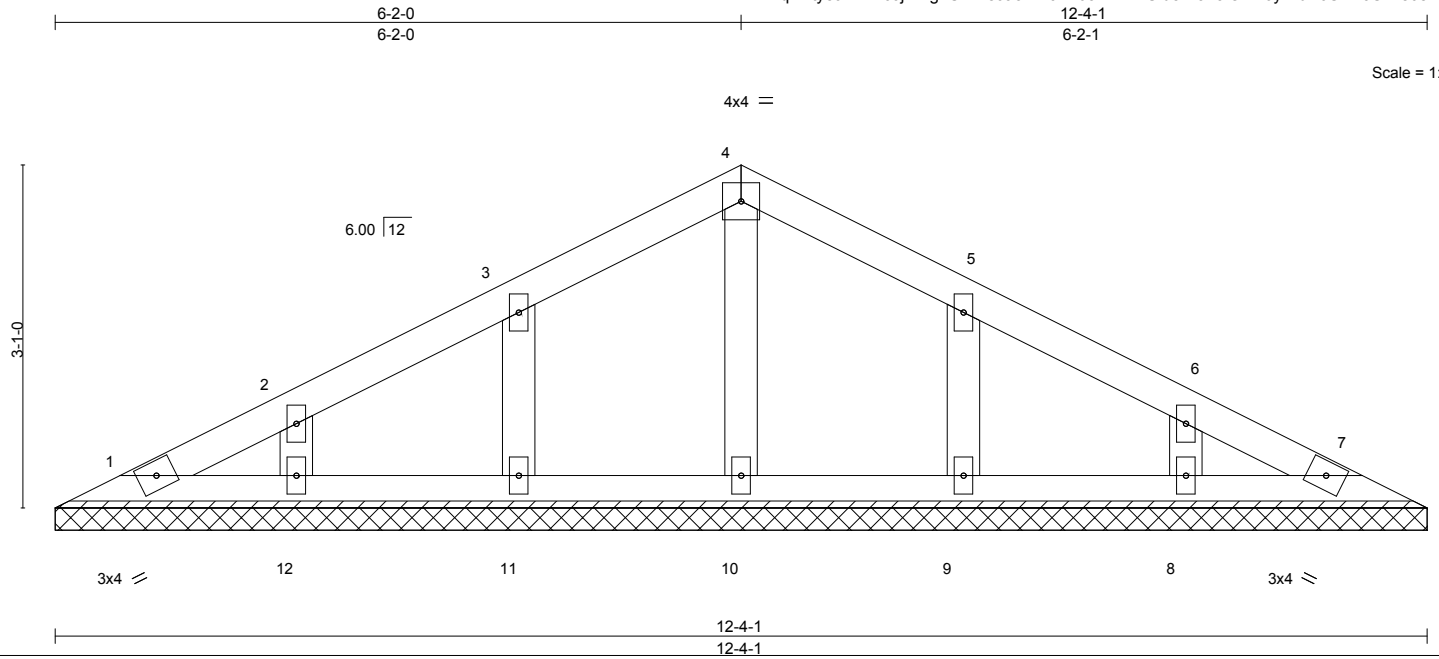


March 5, 2018

Job B0318-0842	Truss V1	Truss Type GABLE	Qty 1	Ply 1	Prelude A	E11514112
-------------------	-------------	---------------------	----------	----------	-----------	-----------

Comtech, Inc., Fayetteville, NC 28309

8.130 s Sep 15 2017 MiTek Industries, Inc. Mon Mar 5 08:42:52 2018 Page 1
ID:qBVty8JxTR2c0jvIHgLUvLzeJa3-kk9Kv65AN?fHUId8IV3n3iOPK6yIDdK0SZw9SLze0sH



Scale = 1:20.7

Plate Offsets (X,Y)-- [5:0-0-0,0-0-0], [6:0-0-0,0-0-0]

LOADING (psf)	SPACING-	CSI.	DEFL.	in (loc)	l/defl	L/d	PLATES	GRIP
TCLL 20.0	Plate Grip DOL 1.15	TC 0.04	Vert(LL) n/a	-	n/a	999	MT20	244/190
TCDL 10.0	Lumber DOL 1.15	BC 0.02	Vert(TL) n/a	-	n/a	999		
BCLL 0.0 *	Rep Stress Incr YES	WB 0.05	Horz(TL) 0.00	7	n/a	n/a		
BCDL 10.0	Code IRC2009/TP12007	Matrix-S					Weight: 47 lb	FT = 20%

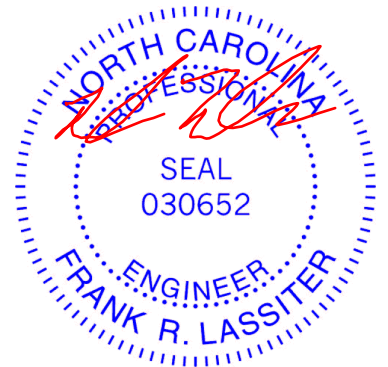
LUMBER-
TOP CHORD 2x4 SP No.1
BOT CHORD 2x4 SP No.1
OTHERS 2x4 SP No.3

BRACING-
TOP CHORD Structural wood sheathing directly applied or 6-0-0 oc purlins.
BOT CHORD Rigid ceiling directly applied or 10-0-0 oc bracing.

REACTIONS. All bearings 12-4-1.
(lb) - Max Horz 1=-49(LC 4)
Max Uplift All uplift 100 lb or less at joint(s) 1, 7, 12, 8 except 11=-103(LC 6), 9=-102(LC 7)
Max Grav All reactions 250 lb or less at joint(s) 1, 7, 10, 11, 12, 9, 8

FORCES. (lb) - Max. Comp./Max. Ten. - All forces 250 (lb) or less except when shown.

- NOTES-**
- 1) Unbalanced roof live loads have been considered for this design.
 - 2) Wind: ASCE 7-05; 110mph; TCDL=6.0psf; BCDL=5.0psf; h=15ft; Cat. II; Exp C; enclosed; MWFRS (low-rise) gable end zone and C-C Exterior(2) zone; C-C for members and forces & MWFRS for reactions shown; Lumber DOL=1.60 plate grip DOL=1.60
 - 3) All plates are 2x4 MT20 unless otherwise indicated.
 - 4) Gable requires continuous bottom chord bearing.
 - 5) This truss has been designed for a 10.0 psf bottom chord live load nonconcurrent with any other live loads.
 - 6) * This truss has been designed for a live load of 20.0psf on the bottom chord in all areas with a clearance greater than 6-0-0 between the bottom chord and any other members.
 - 7) Provide mechanical connection (by others) of truss to bearing plate capable of withstanding 100 lb uplift at joint(s) 1, 7, 12, 8 except (jt=lb) 11=103, 9=102.



March 5, 2018

WARNING - Verify design parameters and READ NOTES ON THIS AND INCLUDED MITEK REFERENCE PAGE MII-7473 rev. 10/03/2015 BEFORE USE.

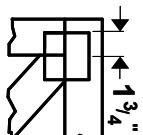
Design valid for use only with MiTek® connectors. This design is based only upon parameters shown, and is for an individual building component, not a truss system. Before use, the building designer must verify the applicability of design parameters and properly incorporate this design into the overall building design. Bracing indicated is to prevent buckling of individual truss web and/or chord members only. Additional temporary and permanent bracing is always required for stability and to prevent collapse with possible personal injury and property damage. For general guidance regarding the fabrication, storage, delivery, erection and bracing of trusses and truss systems, see **ANSI/TP1 Quality Criteria, DSB-89 and BCSI Building Component Safety Information** available from Truss Plate Institute, 218 N. Lee Street, Suite 312, Alexandria, VA 22314.

ENGINEERING BY
TRENCO
A MiTek Affiliate

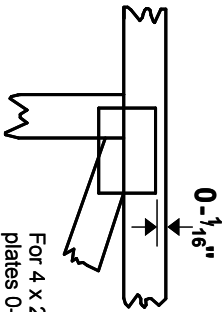
818 Soundside Road
Edenton, NC 27932

Symbols

PLATE LOCATION AND ORIENTATION



Center plate on joint unless x, y offsets are indicated. Dimensions are in ft.-in.-sixteenths. Apply plates to both sides of truss and fully embed teeth.



For 4 x 2 orientation, locate plates 0- $\frac{1}{16}$ " from outside edge of truss.



This symbol indicates the required direction of slots in connector plates.

* Plate location details available in **MITek 2020 software** or upon request.

PLATE SIZE

4 X 4

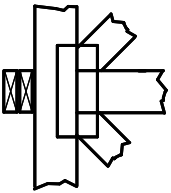
The first dimension is the plate width measured perpendicular to slots. Second dimension is the length parallel to slots.

LATERAL BRACING LOCATION



Indicated by symbol shown and/or by text in the bracing section of the output. Use T or I bracing if indicated.

BEARING



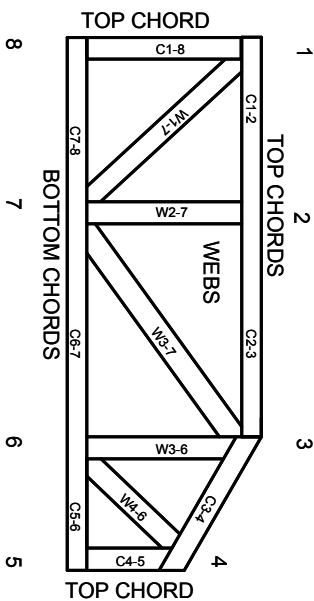
Indicates location where bearings (supports) occur. Icons vary but reaction section indicates joint number where bearings occur. Min size shown is for crushing only.

Industry Standards:

ANSI/TP11: National Design Specification for Metal Plate Connected Wood Truss Construction.
DSB-89: Design Standard for Bracing.
BCSI: Building Component Safety Information, Guide to Good Practice for Handling, Installing & Bracing of Metal Plate Connected Wood Trusses.

Numbering System

6-4-8 dimensions shown in ft.-in.-sixteenths (Drawings not to scale)



JOINTS ARE GENERALLY NUMBERED/LETTERED CLOCKWISE AROUND THE TRUSS STARTING AT THE JOINT FARTHEST TO THE LEFT.

CHORDS AND WEBS ARE IDENTIFIED BY END JOINT NUMBERS/LETTERS.

PRODUCT CODE APPROVALS

ICC-ES Reports:

ESR-1311, ESR-1352, ESR1988
ER-3907, ESR-2362, ESR-1397, ESR-3282

Trusses are designed for wind loads in the plane of the truss unless otherwise shown.

Lumber design values are in accordance with ANSI/TP1 section 6.3. These truss designs rely on lumber values established by others.

© 2012 MITek® All Rights Reserved



MITek Engineering Reference Sheet: Mill-7473 rev. 10/03/2015

General Safety Notes

Failure to Follow Could Cause Property Damage or Personal Injury

1. Additional stability bracing for truss system, e.g. diagonal or X-bracing, is always required. See BCSI.
2. Truss bracing must be designed by an engineer. For wide truss spacing, individual lateral braces themselves may require bracing, or alternative Tor-I bracing should be considered.
3. Never exceed the design loading shown and never stack materials on inadequately braced trusses.
4. Provide copies of this truss design to the building designer, erection supervisor, property owner and all other interested parties.
5. Cut members to bear tightly against each other.
6. Place plates on each face of truss at each joint and embed fully. Knots and wane at joint locations are regulated by ANSI/TP1 1.
7. Design assumes trusses will be suitably protected from the environment in accord with ANSI/TP1 1.
8. Unless otherwise noted, moisture content of lumber shall not exceed 19% at time of fabrication.
9. Unless expressly noted, this design is not applicable for use with fire retardant, preservative treated, or green lumber.
10. Camber is a non-structural consideration and is the responsibility of truss fabricator. General practice is to camber for dead load deflection.
11. Plate type, size, orientation and location dimensions indicated are minimum plating requirements.
12. Lumber used shall be of the species and size, and in all respects, equal to or better than that specified.
13. Top chords must be sheathed or purlins provided at spacing indicated on design.
14. Bottom chords require lateral bracing at 10 ft. spacing, or less, if no ceiling is installed, unless otherwise noted.
15. Connections not shown are the responsibility of others.
16. Do not cut or alter truss member or plate without prior approval of an engineer.
17. Install and load vertically unless indicated otherwise.
18. Use of green or treated lumber may pose unacceptable environmental, health or performance risks. Consult with project engineer before use.
19. Review all portions of this design (front, back, words and pictures) before use. Reviewing pictures alone is not sufficient.
20. Design assumes manufacture in accordance with ANSI/TP1 1 Quality Criteria.