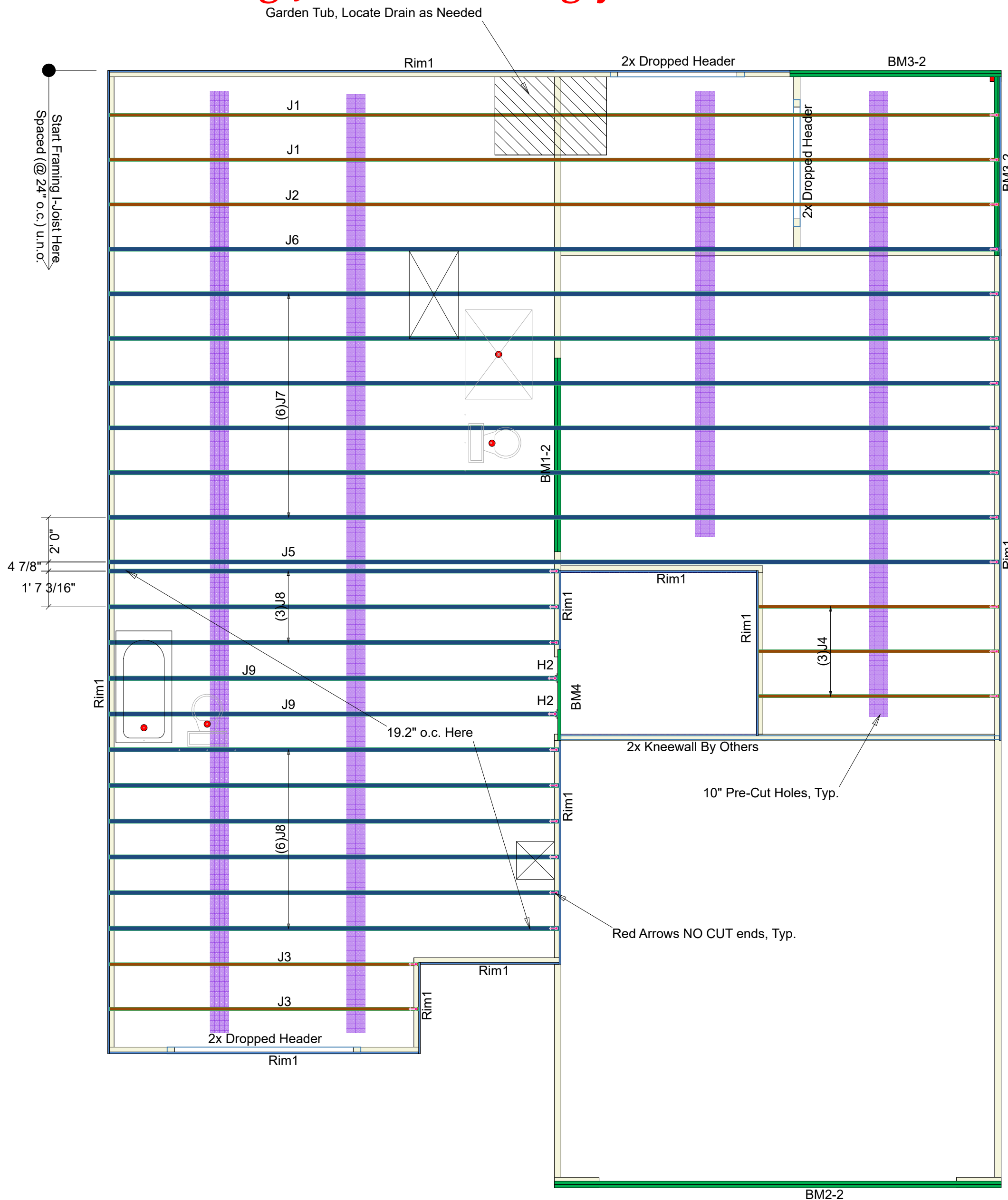


Note: Refer to current Boise Cascade Installation Guide for details not shown.

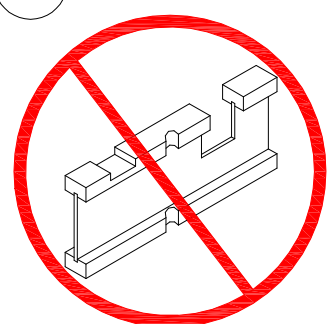
We Recommend Locating Plumbing Drops & Moving Joist Accordingly Before Installation

General Notes:

- 1.) "READ" Boise Installation Guide before installation of products.
- 2.) All, I-Joist, LVL beams, and Rim Board must be field cut to length.
- 3.) Contractor must verify and approve the material list.
- 4.) I-Joist may be moved 3" out of its own o.c. spacing, up to 19.2" o.c., to allow for plumbing drops.
- 5.) This layout, is a placement plan and, was designed in accordance with the original design of the structure (unless otherwise noted). See original plans for additional structural notes.
- 6.) Ceramic tile floors should be supported per APA standards. Additional joists may be required.
- 7.) HVAC & PLUMBER, "Review" Boise Installation Guide (Joist Hole Location & Sizing) Chart "BEFORE" cutting the I-joist product.
- 8.) "Blocking", are Random Length I-joist, Labeled as such.



DN01 DO NOT cut, notch or drill flanges



Connector Summary

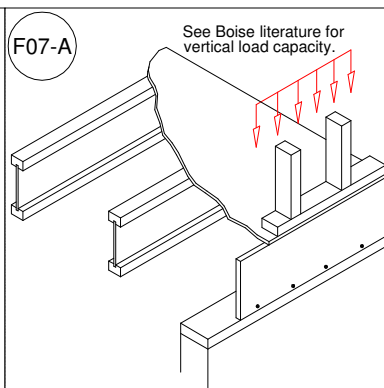
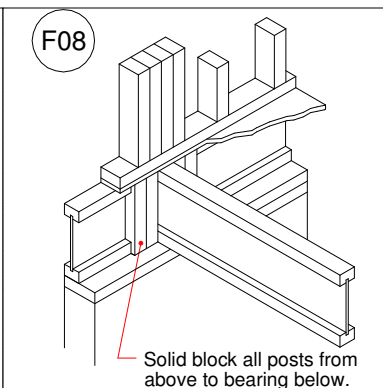
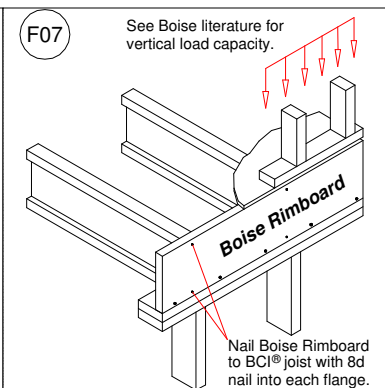
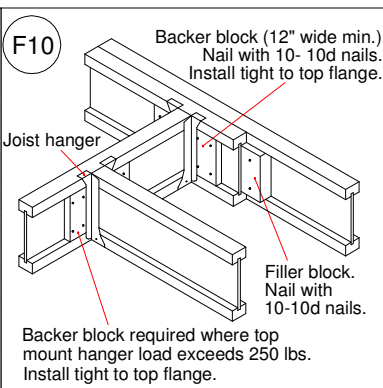
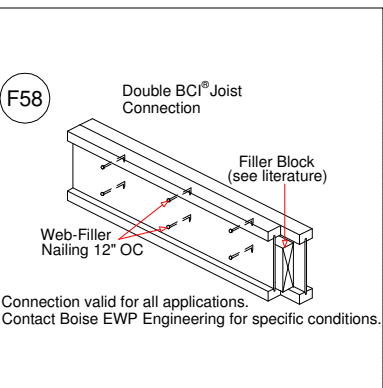
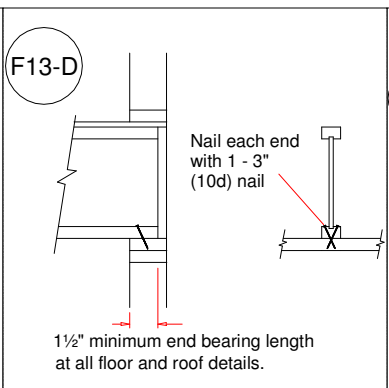
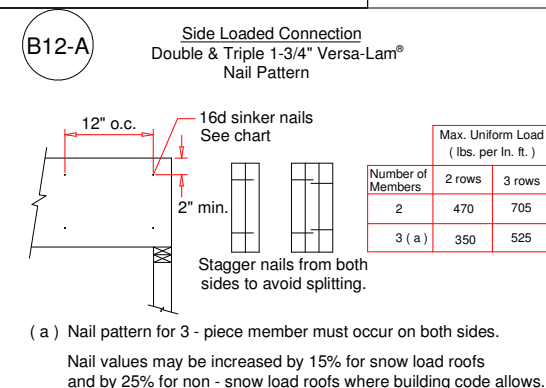
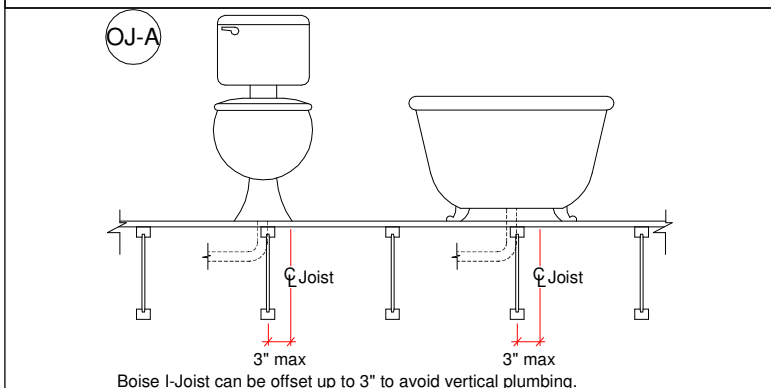
PlotID	Qty	Manuf	Product	Flange
H2	2	Simpson	IUS 2.37/14	None

Products

PlotID	Length	Product	Plies	Net Qty
J1	40' 0"	14" BCI® 4500s-1.8	1	2
J2	40' 0"	14" BCI® 4500s-1.8	1	1
J3	14' 0"	14" BCI® 4500s-1.8	1	2
J4	11' 0"	14" BCI® 4500s-1.8	1	3
J5	40' 0"	14" BCI® 6000s-1.8	1	1
J6	40' 0"	14" BCI® 6000s-1.8	1	1
J7	40' 0"	14" BCI® 6000s-1.8	1	6
J8	21' 0"	14" BCI® 6000s-1.8	1	9
J9	21' 0"	14" BCI® 6000s-1.8	1	2
BM1-2	10' 0"	1-3/4" x 9-1/4" VERSA-LAM® 2.0 3100 SP	2	2
BM2-2	20' 0"	1-3/4" x 11-7/8" VERSA-LAM® 2.0 3100 SP	2	2
BM3-2	10' 0"	1-3/4" x 14" VERSA-LAM® 2.0 3100 SP	2	4
BM4	6' 0"	1-3/4" x 14" VERSA-LAM® 2.0 3100 SP	1	1
Rim1	12' 0"	1" x 14" BC RIM BOARD OSB	1	14

I-Joist Plot ID # & Length on Top of Flange

2nd FLOOR LAYOUT



Cav-Land Development
 CL 3067 CP GOR
 Plan CL-3067
 w/CP (GR)

Scale: NTS

Date: 5-14-2018

By: CMM

DWG:

Sheet: 2 of 2



200 Emmett Drive, Dunn, N.C. 28334 (910) 892 + 8400