

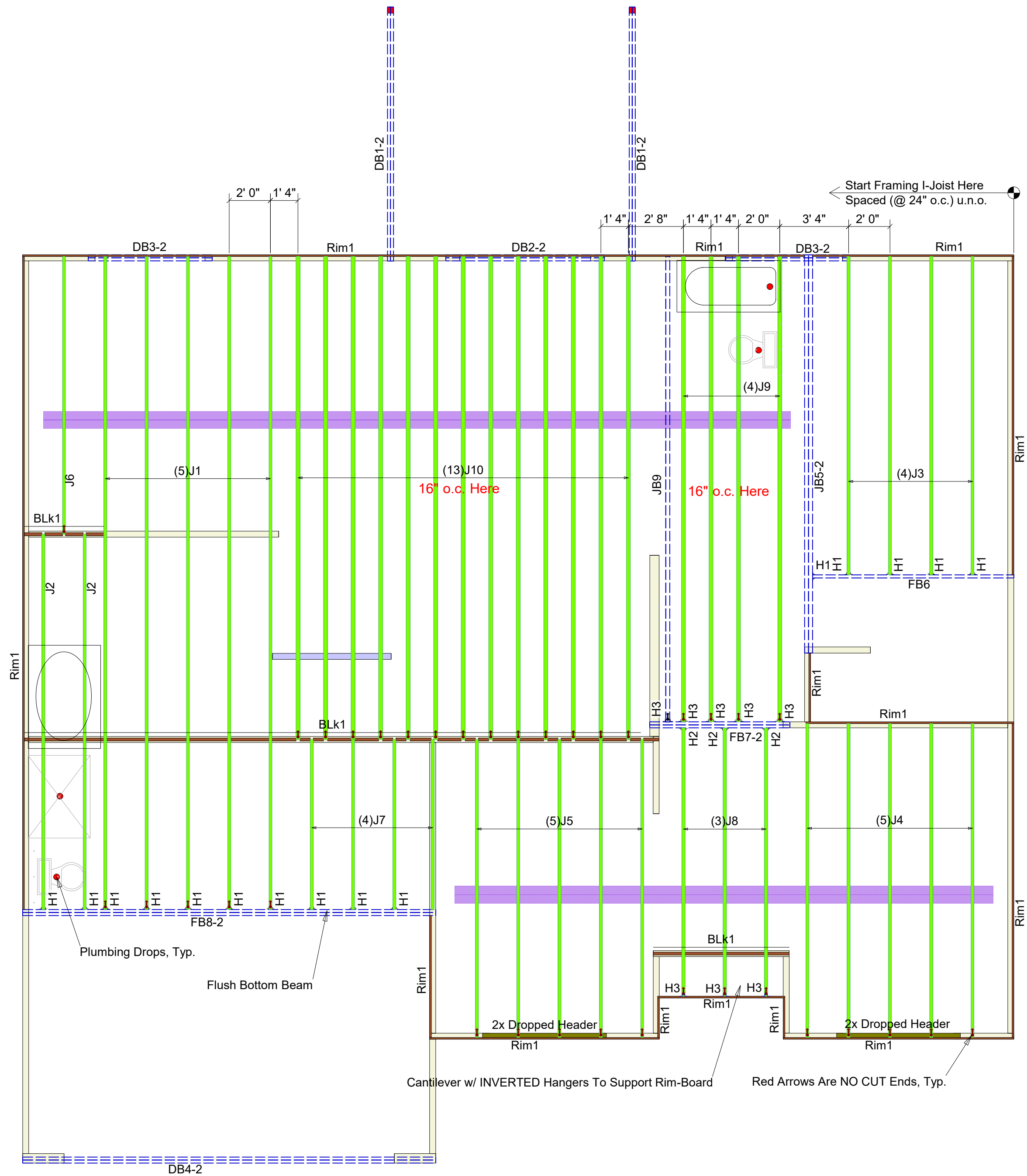
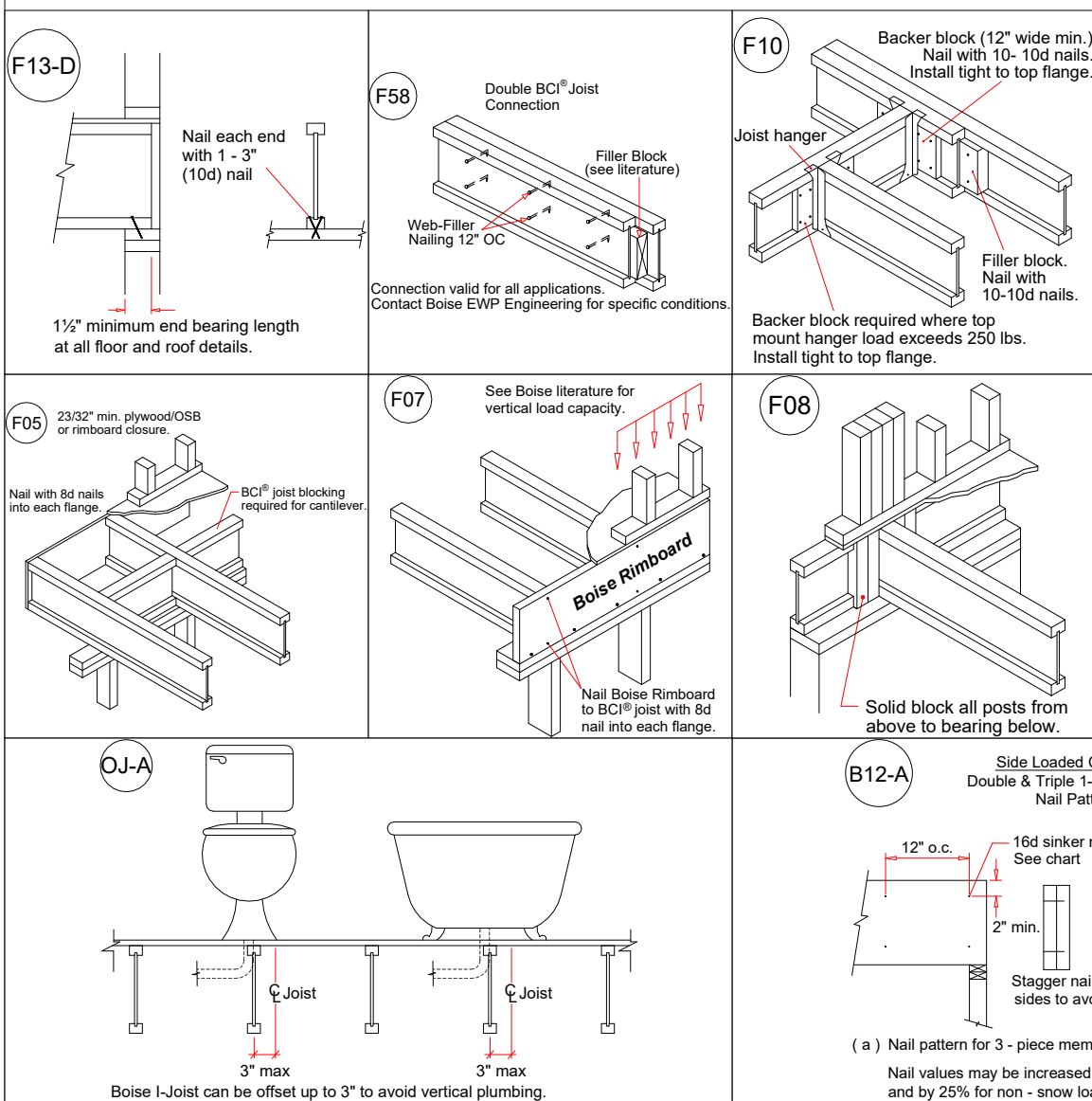
General Notes:

- 1.) "READ" Boise Installation Guide before installation of products.
- 2.) All, I-Joist, LVL beams, and Rim Board must be field cut to length.
- 3.) Contractor must verify and approve the material list.
- 4.) I-Joist may be moved 3" out of its own o.c. spacing, up to 19.2" o.c., to allow for plumbing drops.
- 5.) This layout, is a placement plan and, was designed in accordance with the original design of the structure (unless otherwise noted). See original plans for additional structural notes.
- 6.) Ceramic tile floors should be supported per APA standards. Additional joists may be required.
- 7.) HVAC & PLUMBER, "Review" Boise Installation Guide (Joist Hole Location & Sizing) Chart "BEFORE" cutting the I-joist product.
- 8.) "Blocking", are Random Length I-joist, Labeled as such.

I-Joist Plot ID # & Length on Top of Flange

Products				
PlotID	Length	Product	Plies	Net Qty
J1	32' 0"	16" BCI® 4500s-1.8	1	5
J2	18' 8"	16" BCI® 4500s-1.8	1	2
J3	15' 8"	16" BCI® 4500s-1.8	1	4
J4	15' 8"	16" BCI® 4500s-1.8	1	5
J5	14' 8"	16" BCI® 4500s-1.8	1	5
J6	13' 8"	16" BCI® 4500s-1.8	1	1
J7	8' 8"	16" BCI® 4500s-1.8	1	4
J8	13' 4"	16" BCI® 5000s-1.8	1	3
J10	24' 0"	16" BCI® 60s-2.0	1	13
J9	24' 0"	16" BCI® 60s-2.0	1	4
DB1-2	14' 0"	1-3/4" x 9-1/4" VERSA-LAM® 2.0 3100 SP	2	4
DB2-2	8' 0"	1-3/4" x 9-1/4" VERSA-LAM® 2.0 3100 SP	2	2
DB3-2	6' 0"	1-3/4" x 9-1/4" VERSA-LAM® 2.0 3100 SP	2	4
DB4-2	20' 0"	1-3/4" x 11-7/8" VERSA-LAM® 2.0 3100 SP	2	2
FB6	10' 0"	1-3/4" x 16" VERSA-LAM® 2.0 3100 SP	1	1
FB7-2	8' 0"	1-3/4" x 16" VERSA-LAM® 2.0 3100 SP	2	2
FB8-2	22' 0"	1-3/4" x 24" VERSA-LAM® 2.0 3100 SP	2	2
JB9	24' 0"	16" BCI® 60s-2.0	1	1
JB5-2	19' 4"	16" BCI® 60s-2.0	2	2
Rim1	12' 0"	1" x 16" BC RIM BOARD OSB	1	14
BLK1	36' 0"	16" BCI® 4500s-1.8	1	1

Note: Refer to current Boise Cascade Installation Guide for details not shown.



2ND FLOOR LAYOUT

Connector Summary				
PlotID	Qty	Manuf	Product	Flange
H1	15	Simpson	IUS 1.81/16	None
H2	6	Simpson	IUS 2.06/16	None
H3	5	Simpson	IUS 2.37/16	None



200 Emmett Drive, Dunn, N.C. 28334 (910) 892 + 8400

Caviness Land Development

CL - 3145
GOL-CP

Scale: NTS

Date: NTS

By: J. Baker

DWG: 12116

Sheet: 1 of 1