

**F02** See Boise literature for joist vertical load capacity.

Note: Minimum 2x6 bearing plate required with 2" flange width & larger series joists.

**F06** Load bearing wall above (stacked over wall below)

**F07** See Boise literature for vertical load capacity.

**F08**

Solid block all posts from above to bearing below.

**F09** Load bearing wall above (stacked over wall below)

1/16"

2x block

**F10** Backer block (12" wide min.) Nail with 10-10d nails. Install tight to top flange.

Backer block (12" wide min.)  
Nail with 10-10d nails.  
Install tight to top flange.

Joist hanger

Filler block.  
Nail with 10-10d nails.

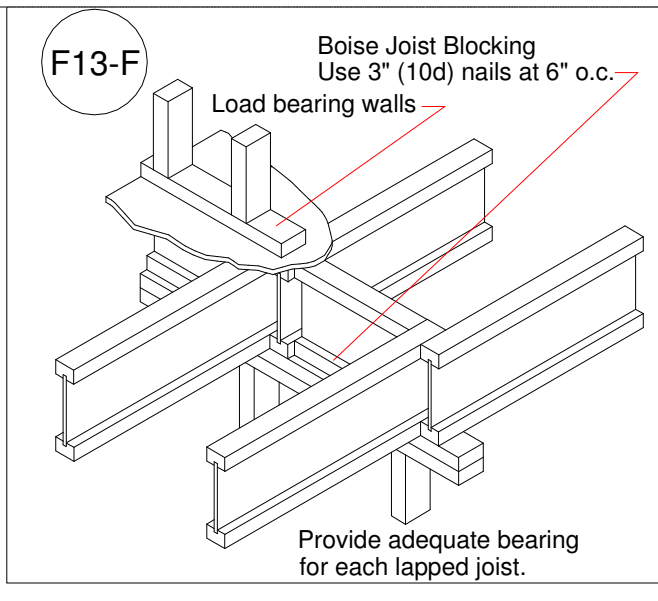
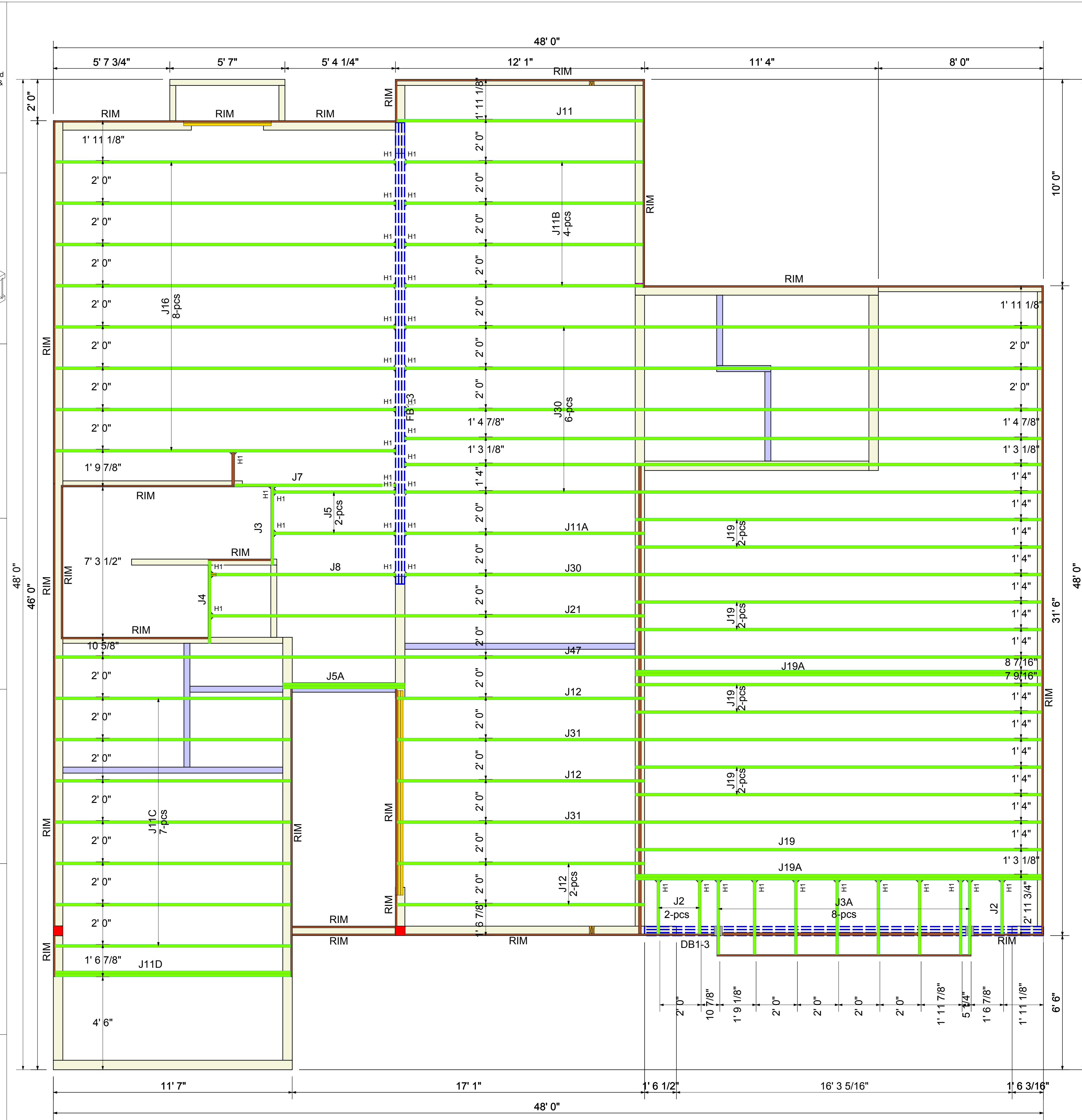
Backer block required where top mount hanger load exceeds 250 lbs. Install tight to top flange.

**F58** Double BCI® Joist Connection

Web-Filler Nailing 12" OC

Filler Block (see literature)

Connection valid for all applications. Contact Boise EWP Engineering for specific conditions.



**Builders FirstSource**

**Boise Cascade**

www.bldr.com

1135 ROBESON STREET  
FAYETTEVILLE, NC 28305  
V (910) 485-1111

7601 BOEING DRIVE  
GREENSBORO, NC 27409  
V (336) 884-5454

3189 NC HIGHWAY 5  
ABERDEEN NC 28315  
V (910) 944-2516

This layout and associated materials list has been prepared based on project plans and/or information provided to Builders FirstSource (BFS). It remains the responsibility of the builder, architect, designer, or other responsible persons to review this information to assure that it is appropriate, accurate, complete and complies with applicable building codes.

**DOGWOOD**  
ELEVATION B  
SEAL DATE 05/25/16  
2nd FLOOR EWP PLACEMENT PLAN

PlotID	Length	Product	Plies	Net Qty
J47	47' 10"	14" BCI® 4500s-1.8	1	1
J31	31' 3"	14" BCI® 4500s-1.8	1	2
J30	30' 10 3/4"	14" BCI® 4500s-1.8	1	7
J21	21' 0 1/4"	14" BCI® 4500s-1.8	1	1
J19	19' 8 1/2"	14" BCI® 4500s-1.8	1	9
J19A	19' 8 1/2"	14" BCI® 4500s-1.8	2	4
J16	16' 6 1/4"	14" BCI® 4500s-1.8	1	8
J12	12' 0"	14" BCI® 4500s-1.8	1	4
J11	11' 11"	14" BCI® 4500s-1.8	1	1
J11A	11' 7 3/4"	14" BCI® 4500s-1.8	1	1
J11B	11' 6 3/4"	14" BCI® 4500s-1.8	1	4
J11C	11' 5"	14" BCI® 4500s-1.8	1	7
J11D	11' 5"	14" BCI® 4500s-1.8	2	2
J8	8' 11 1/2"	14" BCI® 4500s-1.8	1	1
J7	7' 9 3/4"	14" BCI® 4500s-1.8	1	1
J5	5' 11"	14" BCI® 4500s-1.8	1	2
J5A	5' 11"	14" BCI® 4500s-1.8	2	2
J4	4' 0"	14" BCI® 4500s-1.8	1	1
J3	3' 9 1/2"	14" BCI® 4500s-1.8	1	1
J3A	3' 7 1/4"	14" BCI® 4500s-1.8	1	8
J2	2' 7 1/4"	14" BCI® 4500s-1.8	1	3
DB1-3	20' 0"	1-3/4" x 14" VERSA-LAM® 2.0 3100 SP	3	3
FB1-3	24' 0"	1-3/4" x 18" VERSA-LAM® 2.0 3100 SP	3	3
RIM	12' 0"	1" x 14" BC RIM BOARD OSB	1	19
BK	2' 0"	14" BCI® 4500s-1.8	1	16

Hangers			
PlotID	Qty	Manuf	Product
H1	41	Simpson	IUS 1.81/14

**GENERAL NOTES:**

- 1.) READ THE INSTALLATION GUIDE BEFORE FRAMING.
- 2.) ALL WALLS SHOWN ARE LOAD BEARING UNLESS NOTED OTHERWISE. WALLS NOT SHOWN ARE CONSIDERED NON-LOAD BEARING.
- 3.) UNLESS STATED OTHERWISE ALL CEILING & ROOF LOADS BRACE DIRECTLY TO LOAD BEARING WALLS SUPPORTED BY FOUNDATION.
- 4.) CONTACT BUILDERS FIRSTSOURCE BEFORE MAKING ANY ALTERATIONS OR ADJUSTMENTS...FAILURE TO DO SO MAY RESULT IN COSTLY REPAIRS.

**H & H HOMES**

**DOGWOOD - B - FE - MASTER**

2nd FLOOR EWP PLACEMENT PLAN

Builders FirstSource, Central Carolina Markets

DRAWN BY: LEE ATKINS DATE: 5-1-17

SCALE: NOT TO SCALE

JOB NUMBER:

MINIMUM DESIGN DATA

LIVE LOAD 40 PSF  
DEAD LOAD 10 PSF

TOTAL LOAD 50 PSF

DOL = 100%

DEFLECTION CRITERIA  
L/480 (MINIMUM)

**ARCHITECTURAL PLAN DATE**  
X-X-X

**SEAL DATE**  
5-25-16

Sheet  
1 of 1

