

Truss/Rafter to Wood Double Top Plates

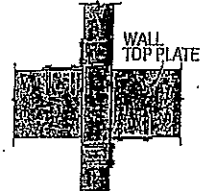


| Model No. | Qty Reqd | Fasteners | | DF/SP Allowable Loads | | | | SPF Allowable Loads | | | |
|-----------|----------|--------------------------------------|------------------------|-----------------------|-------|--|---|---------------------|-------|--|---|
| | | To Rafters | To Plates | Uplift | | Parallel to Plate (F ₁) (133/160) | Perp. to Plate (F ₂) (133/160) | Uplift | | Parallel to Plate (F ₁) (133/160) | Perp. to Plate (F ₂) (133/160) |
| | | | | (133) | (160) | | | (133) | (160) | | |
| H2.5 | 1 | 5-8d | 5-8d | 415 | 415 | 150 | 150 | 365 | 365 | 130 | 130 |
| H5A | 1 | 3-8d | 3-8d | 350 | 420 | 115 | 180 | 245 | 245 | 100 | 120 |
| HGA10 | 1 | 4-SDS $\frac{1}{4}$ x1 $\frac{1}{2}$ | 4-SDS $\frac{1}{4}$ x3 | 435 | 435 | 1165 | 940 | 375 | 375 | 870 | 815 |
| H5 | 1 | 4-8d | 4-8d | 455 | 465 | 115 | 200 | 265 | 265 | 100 | 170 |
| H1 | 1 | 6-8dx1 $\frac{1}{2}$ | 4-8d | 490 | 585 | 485 | 165 | 400 | 400 | 415 | 140 |
| H2.5A | 1 | 5-8d | 5-8d | 600 | 600 | 110 | 110 | 520 | 535 | 110 | 110 |
| LTS12 | 1 | 6-10dx1 $\frac{1}{2}$ | 6-10dx1 $\frac{1}{2}$ | 720 | 720 | 75 | 125 | 620 | 620 | 75 | 125 |
| H8 | 1 | 5-10dx1 $\frac{1}{2}$ | 5-10dx1 $\frac{1}{2}$ | 620 | 745 | — | — | 530 | 565 | — | — |
| H10-2 | 1 | 6-10d | 6-10d | 760 | 760 | 455 | 395 | 655 | 655 | 390 | 340 |
| H2.5 | 2 | 10-8d | 10-8d | 830 | 830 | 300 | 300 | 730 | 730 | 260 | 260 |
| H5 | 2 | 8-8d | 8-8d | 910 | 930 | 230 | 400 | 530 | 530 | 200 | 340 |
| H10 | 1 | 8-8dx1 $\frac{1}{2}$ | 8-8dx1 $\frac{1}{2}$ | 905 | 990 | 585 | 525 | 780 | 850 | 505 | 450 |
| MTS12 | 1 | 7-10dx1 $\frac{1}{2}$ | 7-10dx1 $\frac{1}{2}$ | 840 | 1000 | 75 | 125 | 730 | 860 | 75 | 125 |
| H1 | 2 | 12-8dx1 $\frac{1}{2}$ | 8-8d | 980 | 1170 | 970 | 330 | 800 | 800 | 830 | 280 |
| H2.5A | 2 | 10-8d | 10-8d | 1200 | 1200 | 220 | 220 | 1040 | 1070 | 220 | 220 |
| LTS12 | 2 | 12-10dx1 $\frac{1}{2}$ | 12-10dx1 $\frac{1}{2}$ | 1440 | 1440 | 150 | 250 | 1240 | 1240 | 150 | 250 |
| HTS20 | 1 | 12-10dx1 $\frac{1}{2}$ | 12-10dx1 $\frac{1}{2}$ | 1450 | 1450 | 75 | 125 | 1245 | 1245 | 75 | 125 |
| H16S | 1 | 2-10dx1 $\frac{1}{2}$ | 10-10dx1 $\frac{1}{2}$ | 1470 | 1470 | — | — | 1265 | 1265 | — | — |
| H16 | 1 | 2-10dx1 $\frac{1}{2}$ | 10-10dx1 $\frac{1}{2}$ | 1470 | 1470 | — | — | 1265 | 1265 | — | — |
| H10 | 2 | 16-8dx1 $\frac{1}{2}$ | 16-8dx1 $\frac{1}{2}$ | 1810 | 1980 | 1170 | 1050 | 1560 | 1700 | 1010 | 900 |
| MTS12 | 2 | 14-10dx1 $\frac{1}{2}$ | 14-10dx1 $\frac{1}{2}$ | 1680 | 2000 | 150 | 250 | 1460 | 1720 | 150 | 250 |

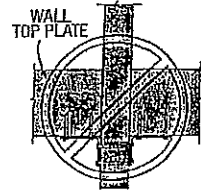
1. "—" in the tables indicates that the product has not been tested in the particular load direction listed.
2. For connections to single top plates, see page 12.
3. Fasten multiple members together to act as a single unit.

D7

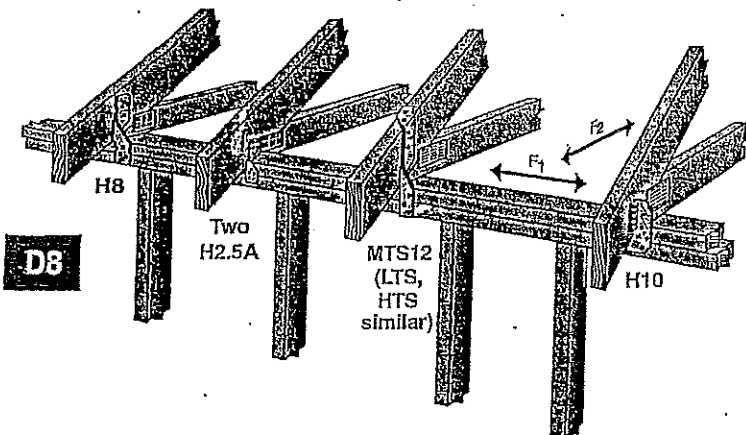
Hurricane Tie Installations to Achieve Twice the Load (Top View)



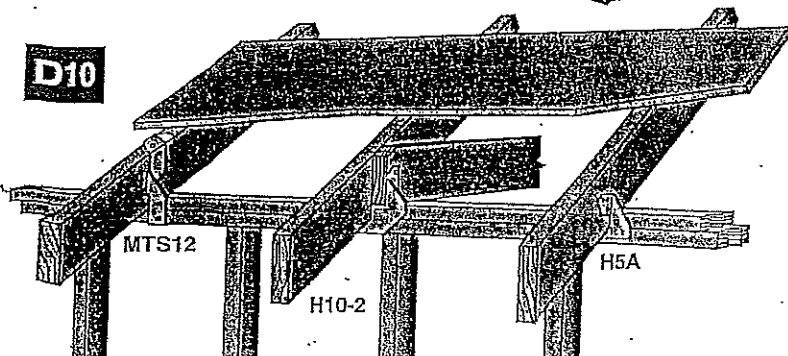
Install diagonally across from each other for minimum 2x truss.



Nailing into both sides of a single ply 2x truss may cause the wood to split. A minimum rafter thickness of 2 $\frac{1}{2}$ " must be used when connectors are installed on the same side.



D10



D9

