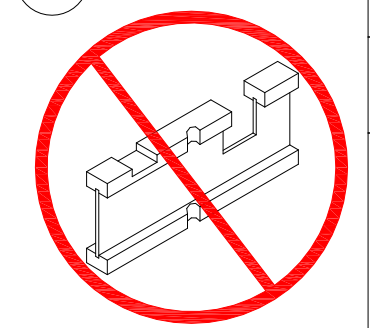


General Notes:

- 1.) "READ" Boise Installation Guide before installation of products.
- 2.) All, I-Joist, LVL beams, and Rim Board must be field cut to length.
- 3.) Contractor must verify and approve the material list.
- 4.) I-Joist may be moved 3" out of its own o.c. spacing, up to 19.2" o.c., to allow for plumbing drops.
- 5.) This layout, is a placement plan and, was designed in accordance with the original design of the structure (unless otherwise noted). See original plans for additional structural notes.
- 6.) Ceramic tile floors should be supported per APA standards. Additional joists may be required.
- 7.) HVAC & PLUMBER, "Review" Boise Installation Guide (Joist Hole Location & Sizing) Chart "BEFORE" cutting the I-joist product.
- 8.) "Blocking", are Random Length I-joist, Labeled as such.

We Recommend Locating Plumbing Drops & Moving Joist Accordingly Before Installation

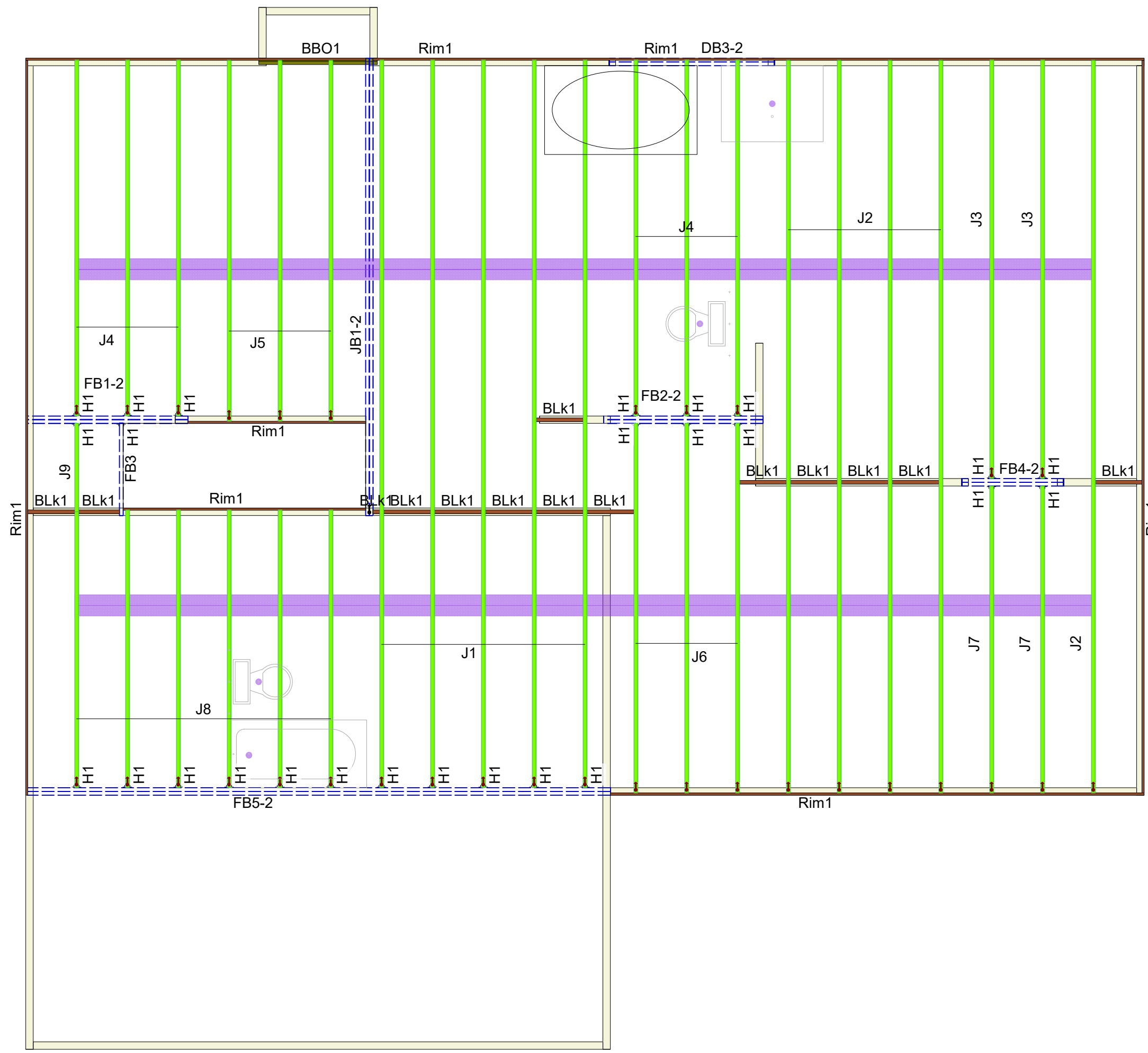
DN01 DO NOT cut, notch or drill flanges



Revisions: BY:

Products				
PlotID	Length	Product	Plies	Net Qty
J1	29' 0"	14" BCI® 4500s-1.8	1	5
J2	29' 0"	14" BCI® 4500s-1.8	1	5
J3	17' 0"	14" BCI® 4500s-1.8	1	2
J4	15' 0"	14" BCI® 4500s-1.8	1	6
J5	15' 0"	14" BCI® 4500s-1.8	1	3
J6	15' 0"	14" BCI® 4500s-1.8	1	3
J7	13' 0"	14" BCI® 4500s-1.8	1	2
J8	12' 0"	14" BCI® 4500s-1.8	1	6
J9	4' 0"	14" BCI® 4500s-1.8	1	1
JB1-2	18' 0"	14" BCI® 4500s-1.8	2	2
DB3-2	7' 0"	1-3/4" x 9-1/4" VERSA-LAM® 2.0 3100 SP	2	2
FB1-2	8' 0"	1-3/4" x 14" VERSA-LAM® 2.0 3100 SP	2	2
FB2-2	8' 0"	1-3/4" x 14" VERSA-LAM® 2.0 3100 SP	2	2
FB3	4' 0"	1-3/4" x 14" VERSA-LAM® 2.0 3100 SP	1	1
FB4-2	4' 0"	1-3/4" x 14" VERSA-LAM® 2.0 3100 SP	2	2
FB5-2	23' 0"	1-3/4" x 24" VERSA-LAM® 2.0 3100 SP	2	2
Rim1	12' 0"	1" x 14" BC RIM BOARD OSB	1	12
BLK1	26' 0"	14" BCI® 4500s-1.8	1	1

Connector Summary			
PlotID	Qty	Manuf	Product
H1	1		IUS 1.81/14
H1	25	Simpson	IUS 1.81/14



F13-D

Nail each end with 1 - 3" (10d) nail

1/2" minimum end bearing length at all floor and roof details.

F58

Double BCI® Joist Connection

Filler Block (see literature)

Web-Filler Nailing 12" OC

Connection valid for all applications. Contact Boise EWP Engineering for specific conditions.

F10

Joist hanger

Backer block (12" wide min.) Nail with 10-10d nails. Install tight to top flange.

Filler block. Nail with 10-10d nails.

Backer block required where top mount hanger load exceeds 250 lbs. Install tight to top flange.

F05

23/32" min. plywood/OSB or rimboard closure

Nail with 8d nails into each flange.

BCI® joist blocking required for cantilever.

F07

See Boise literature for vertical load capacity.

Boise Rimboard

Nail Boise Rimboard to BCI® joist with 8d nail into each flange.

F08

Solid block all posts from above to bearing below.

F07-A

See Boise literature for vertical load capacity.

OJ-A

Boise I-Joist can be offset up to 3" to avoid vertical plumbing.

B12-A

Side Loaded Connection Double & Triple 1-3/4" Versa-Lam® Nail Pattern

12" o.c. 16d sinker nails See chart

Number of Members	2 rows	3 rows
	2	470
	3 (a)	350

Max. Uniform Load (lbs. per in. ft.)

Stagger nails from both sides to avoid splitting.

(a) Nail pattern for 3 - piece member must occur on both sides. Nail values may be increased by 15% for snow load roofs and by 25% for non - snow load roofs where building code allows.

F56

Exterior Wood Sheathing

Boise Rimboard

1/2" dia through bolts (ASTM A307 Grades A&B, SAE J429 Grades 1 or 2, or higher) with washers and nuts or 1/2" dia lag screws (full penetration) 360 lb capacity per fastener.

Treated Ledger - Use only fasteners that are approved for use with corresponding wood treatment.

Design of moisture control by others. (only structural components shown above)

Note: Refer to current Boise Cascade Installation Guide for details not shown.

I-Joist Plot ID # & Length on Top of Flange

2ND FLOOR LAYOUT

Caviness Land Development

CL - 2302 GOL

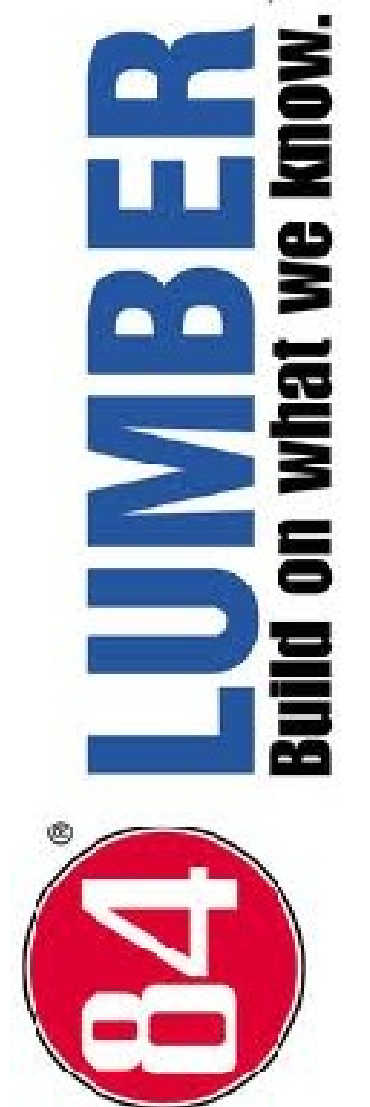
Scale: 1/4" = 1'-0"

Date: 6-8-17

By: J. Baker

DWG: 12575

Sheet: 1 of 1



200 Emmett Drive, Dunn, N.C. 28334 (910) 892 + 8400

