

# A A TAKLA ENGINEERING, PLLC

Consulting. Design. Efficiency.

ANDY A. TAKLA, EI  
919-423-0470  
ANDYTAKLA@TAKLAENGR.COM  
Cert. #A-29014

ATEF A. TAKLA, PE  
919-358-1758  
ATEFTAKLA@TAKLAENGR.COM  
Lic. #14578

ALFRED A. TAKLA, EI  
919-332-7903  
ALFREDTAKLA@TAKLAENGR.COM  
Cert. #A-20939

NC Firm License No. P-1446  
PO Box 71298 Durham NC 27722

## FIELD REPORT

Date: 10/17/18

Project: 25 Kinnis creek RD

Location: Angier, NC

Company: \_\_\_\_\_

Care of: Parm Sandhar  
(919) 924-2154



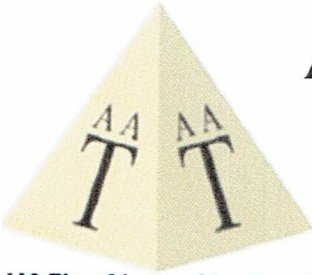
AS REQUESTED, A. TAKLA VISITED THE SITE and OBSERVED THE Footing trenches of the proposed House (Relocated House)

BASED ON OUR observations, the following was made:-

- (A) Pump-out All seeped water
- (B) REMOVE All soft soils (~ 12" inches overexcavation) TO 2000 psf bearing Capacity
- (C) Install non-woven Fabric (Bottom and Both sides)
- (D) Backfill Trenches w/ # 57 stone
- (E) Place 2-#4 Bottom Rebars @ Trenches

see attached sketch

**Limitations of Inspection** Services provided are in accordance with the standard of practice for structural engineering and within the limits imposed by scope, schedule and budget. The determinations contained in this report are based on conditions observed at the time of the evaluation. No guarantees or warranties, expressed or implied, under this Agreement or otherwise, shall be construed in connection with services provided. Sequencing, and means and methods of construction are considered beyond the scope of this report.



# A A TAKLA ENGINEERING, PLLC

Consulting. Design. Efficiency.

ANDY A. TAKLA, EI  
919-423-0470  
ANDYTAKLA@TAKLAENGR.COM  
Cert. #A-29014

ATEF A. TAKLA, PE  
919-358-1758  
ATEFTAKLA@TAKLAENGR.COM  
Lic. #14578

ALFRED A. TAKLA, EI  
919-332-7903  
ALFREDTAKLA@TAKLAENGR.COM  
Cert. #A-20939

NC Firm License No. P-1446  
PO Box 71298 Durham NC 27722

## FIELD REPORT

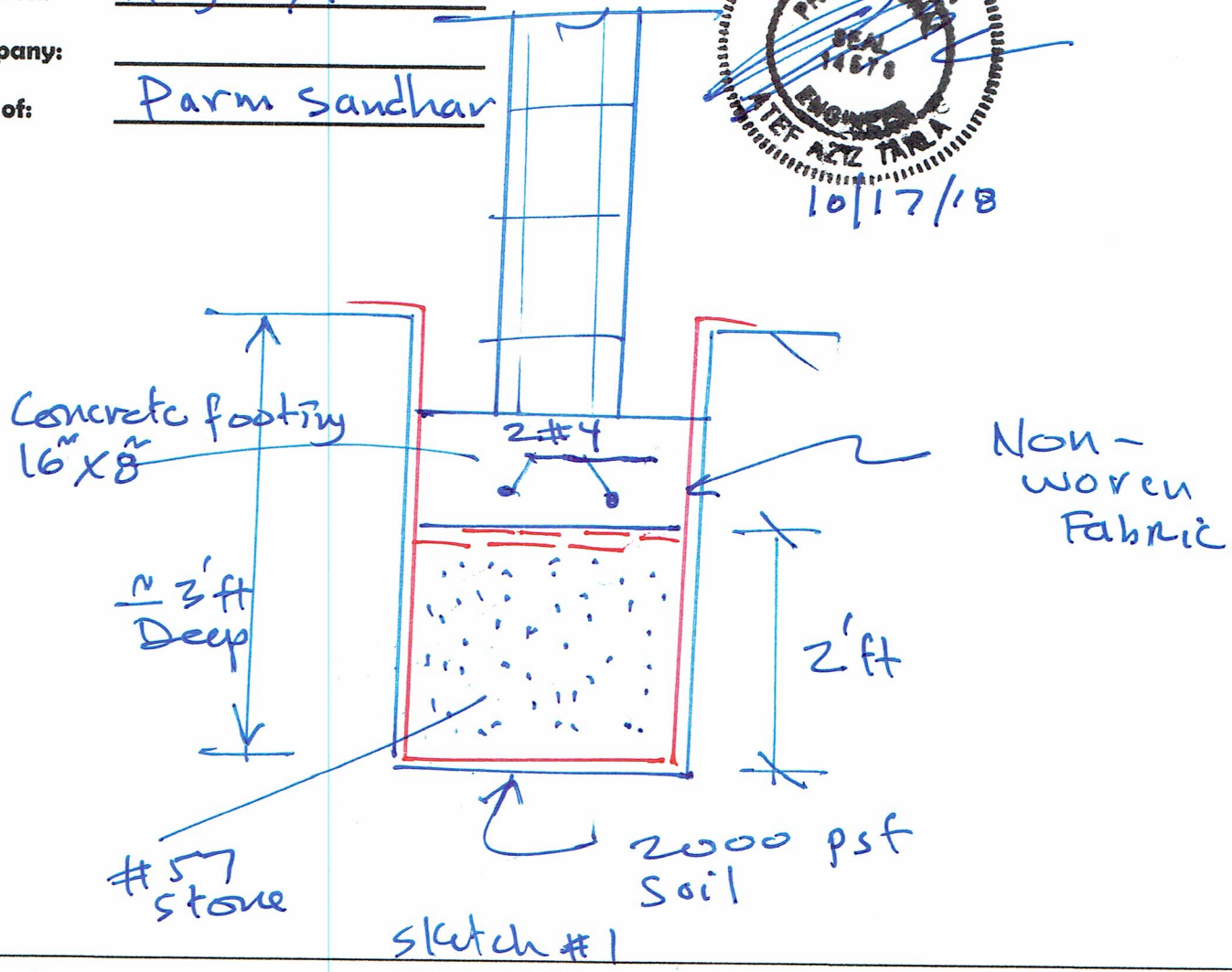
Date: \_\_\_\_\_

Project: 25 Kinnis creek

Location: Angier, NC

Company: \_\_\_\_\_

Care of: Parm Sandhar



**Limitations of Inspection** Services provided are in accordance with the standard of practice for structural engineering and within the limits imposed by scope, schedule and budget. The determinations contained in this report are based on conditions observed at the time of the evaluation. No guarantees or warranties, expressed or implied, under this Agreement or otherwise, shall be construed in connection with services provided. Sequencing, and means and methods of construction are considered beyond the scope of this report.