

HTE# 15-5-34719

Hartnett County Department of Public Health

28426

Improvement Permit

A building permit cannot be issued with only an Improvement Permit

PROPERTY LOCATION: Lee County Line Rd

ISSUED TO: Beulah Bethea

SUBDIVISION _____

LOT # A1

NEW REPAIR EXPANSION

Site Improvements required prior to Construction Authorization Issuance:

Type of Structure: MH 14x80

Proposed Wastewater System Type: 25% Reduction System

Projected Daily Flow: 360 GPD

Number of bedrooms: 3 Number of Occupants: 6 max

Basement Yes No

Pump Required: Yes No May be required based on final location and elevations of facilities

Type of Water Supply: Community Public Well Distance from well _____ feet

Permit valid for: Five years

Permit conditions: _____

No expiration

Authorized State Agent: Brya McLean, REAH

Date: 8/10/2015

SEE ATTACHED SITE SKETCH

The issuance of this permit by the Health Department in no way guarantees the issuance of other permits. The permit holder is responsible for checking with appropriate governing bodies in meeting their requirements. This site is subject to revocation if the site plan, plat, or the intended use changes. The Improvement Permit shall not be affected by a change in ownership of the site. This permit is subject to compliance with the provisions of the Laws and Rules for Sewage Treatment and Disposal and to conditions of this permit.

Construction Authorization

(Required for Building Permit)

The construction and installation requirements of Rules .1950, .1952, .1954, .1955, .1956, .1957, .1958, and .1959 are incorporated by references into this permit and shall be met. Systems shall be installed in accordance with the attached system layout.

ISSUED TO: Beulah Bethea

PROPERTY LOCATION: Lee County Line Rd

SUBDIVISION _____

LOT # A1

Facility Type: MH New Expansion Repair

Basement? Yes No Basement Fixtures? Yes No

Type of Wastewater System** 25% Reduction System (Initial) Wastewater Flow: 360 GPD

(See note below, if applicable)

25% Reduction System (Repair)

Installation Requirements/Conditions

Septic Tank Size 1000 gallons

Pump Tank Size _____ gallons

Number of trenches 3

Exact length of each trench 80 feet

Trenches shall be installed on contour at a

Maximum Trench Depth of: 18-20 inches

(Trench bottoms shall be level to +1/4"

in all directions)

Trench Spacing: 9 Feet on Center

Soil Cover: 6 inches

(Maximum soil cover shall not exceed

36" above the trench bottom)

Pump Requirements: _____ ft. TDH vs. _____ GPM

_____ inches below pipe

Aggregate Depth: _____ inches above pipe

Conditions: _____ inches total

**WATER LINES (INCLUDING IRRIGATION) MUST BE 10FT. FROM ANY PART OF SEPTIC SYSTEM OR REPAIR AREA.
NO UTILITIES ALLOWED IN INITIAL OR REPAIR DRAIN FIELD AREA.**

**If applicable: I understand the system type specified is different from the type specified on the application. I accept the specifications of this permit.

Owner/Legal Representative Signature: _____

Date: _____

This Construction Authorization is subject to revocation if the site plan, plat, or the intended use changes. The Construction Authorization shall not be transferred when there is a change in ownership of the site. This

Construction Authorization is subject to compliance with the provisions of the Laws and Rules for Sewage Treatment and Disposal and to the conditions of this permit.

SEE ATTACHED SITE SKETCH

Authorized State Agent: Brya McLean, REAH

Date: 8/19/2015

Construction Authorization Expiration Date: 8/10/2020

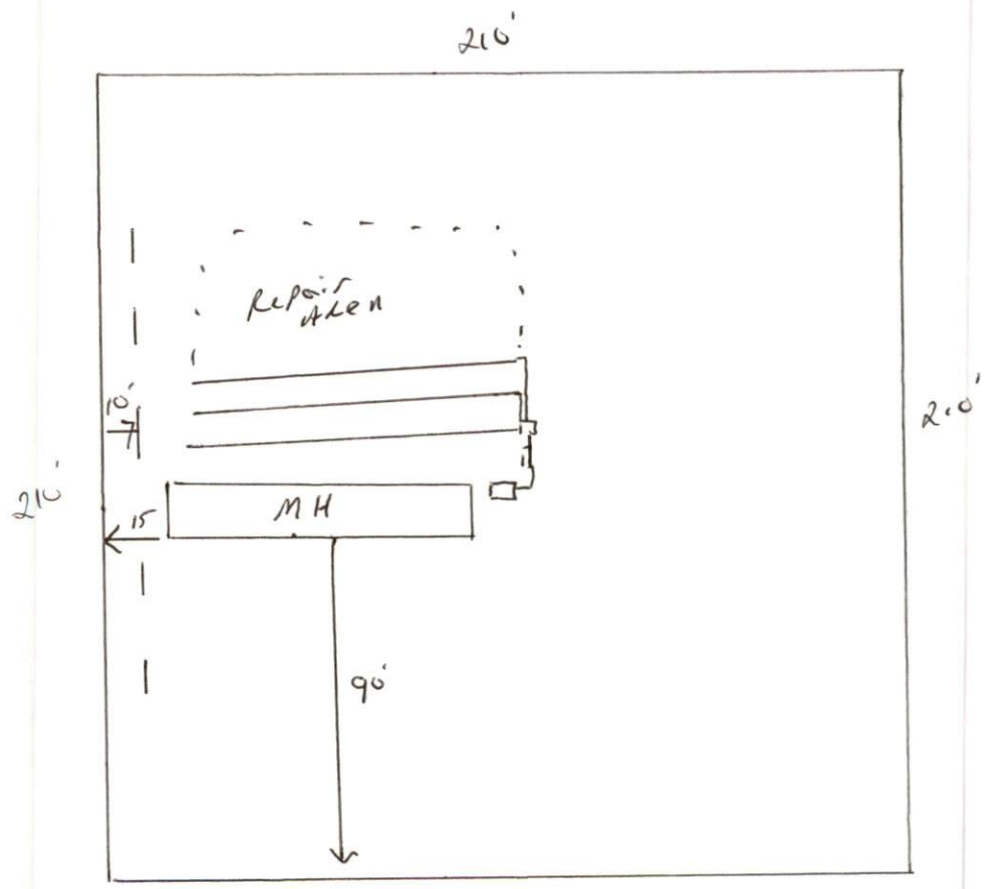
HTE# 15-5-36719

Permit # 28426

Harnett County Department of Public Health Site Sketch

ISSUED TO: Beulah Bethen PROPERTY LOCATOR: Lee County Line Rd
SUBDIVISION _____ LOT # A-1

Authorized State Agent: Bryan McSwain RTH Date: 8/10/2015



Lee County Line Rd