

HTE 05-50012584

IMPROVEMENT PERMIT

22148

Be it ordained by the Harnett County Board of Health as follows: Section III, Item B. "No Person shall begin construction of any building at which a septic tank system is to be used for disposal of sewage without first obtaining a written permit from the Harnett County Health Department."

Name: (owner) Randall O Quinn New Installation Septic Tank
Property Location: SR# 1215 Repairs Nitrification Line
Heather Megan Lane

Subdivision _____ Lot # 3

Tax ID # _____ Quadrant # _____

Number of Bedrooms Proposed: 3 (28x56) Lot Size: 3.39Ac

Basement with Plumbing: Garage:

Water Supply: Well Public Community

Distance From Well: 50 ft.

Following is the minimum specifications for sewage disposal system on above captioned property. Subject to final approval.

Type of system: Conventional Other _____

Size of tank: Septic Tank: 1000 gallons Pump Tank: _____ gallons

Subsurface Drainage Field No. of ditches 1 exact length of each ditch 300 ft. width of ditches 3 ft. depth of ditches 18 1/2 in.

French Drain Required: _____ Linear feet

Date: 7-15-05

This permit is subject to revocation if site plans or intended use change.

Signed: [Signature]
Environmental Health Specialist

Property Line

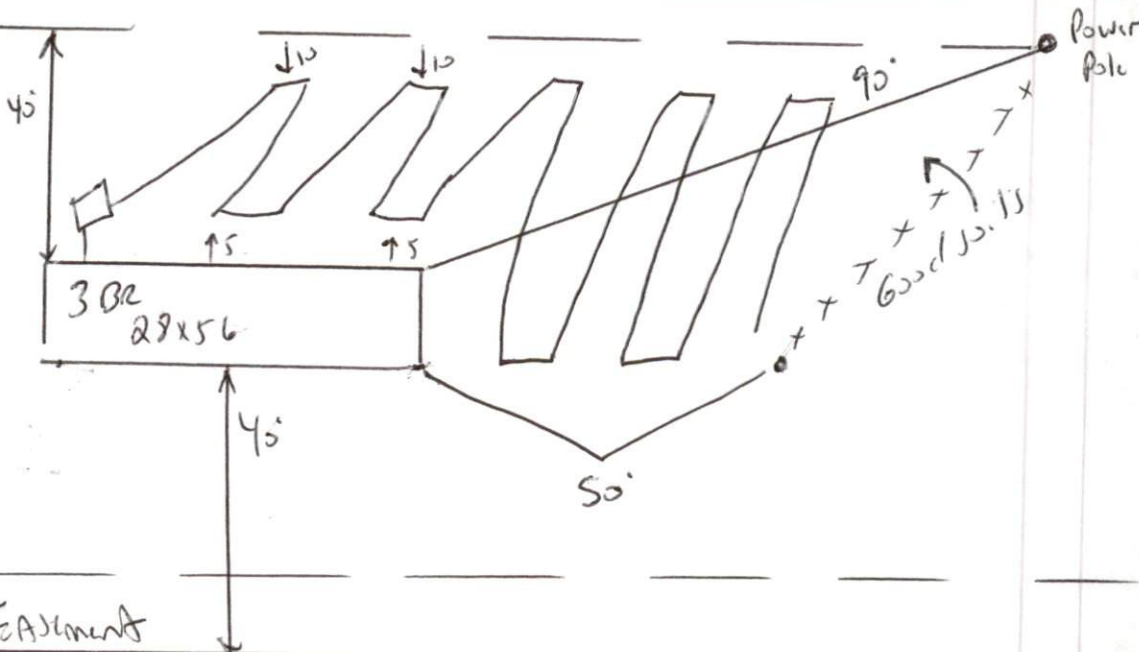
EXISTING DRIVE

SR 1215 →

Do not Allow Lines To Go Past corner of Home meet onsite maintain all set Back

W/P Repair 360 LF

30' EASEMENT



HARNETT COUNTY DEPARTMENT OF PUBLIC HEALTH
AUTHORIZATION TO CONSTRUCT

Authorization is hereby given to construct a wastewater system to the specifications described by Harnett County Department of Public Health, Improvement Permit # 22141. This authorization shall be valid for a period not to exceed five (5) years from the date of issuance. *This authorization will be invalid if ownership, site plans, or intended use change.*

Randall Quinn
Name _____ Telephone # _____

Address _____

1215
Property Location SR# _____ Road Name _____

Subdivision _____ Lot # 3 # Bedrooms Proposed 3 (28x56) Lot Size 335 AC

TYPE OF SYSTEM

New Installation [] Repair Septic Tank Nitrification Lines

Conventional [] Other _____

[] Basement [] With Plumbing [] Without Plumbing

Water Supply: [] Well Public Water Supply Minimum Well Setback: 50 Ft.

Septic Tank 1000 gal Pump Chamber _____ gal

NITRIFICATION FIELD SPECIFICATIONS

Number of fields 1 # of lines per field 1 Length of lines 700 Ft.

Width of ditches 3 ft. Depth of ditches 18.24 inches

French Drain: Linear feet required _____ Depth of gravel _____

No wastewater system shall be covered or placed into use by any person until an inspection by the Harnett County Health Department has determined that the system has been installed according to the conditions of the Improvement Permit and that a valid Operations Permit has been issued.

Jon West RJ _____ Date 7-15-05
Signature of Authorized Agent for Harnett County