

FOR QUESTIONS, CALL THE
Sales & Service
REGION 23
PHONE: (919) 573-1522
EMAIL: info@ventilationdirect.com

HOOD INFORMATION – JOB#4931432

HOOD NO	TAG	MODEL	MANUFACTURER	LENGTH	MAX COOKING TEMP	TYPE	APPLIANCE DUTY	DESIGN CFM/FT	TOTAL EXH CFM	EXHAUST PLENUM RISER(S)						TOTAL SUPPLY CFM	HOOD CONSTRUCTION	HOOD CONFIG		
										WIDTH	LENG	HEIGHT	DIA	CFM	VEL			SP	END TO END	ROW
1		5424 VX-2-PSP-F	VENTILATION DIRECT	8' 0"	600 DEG	I	HEAVY	275	2200			4'	16'	2200	1576	-0.524'	1760	430 SS WHERE EXPOSED	ALONE	ALONE

HOOD INFORMATION

HOOD NO	TAG	FILTER(S)				LIGHT(S)				UTILITY CABINET(S)				FIRE SYSTEM PIPING	HOOD HANGING WEIGHT		
		TYPE	QTY	HEIGHT	LENGTH	EFFICIENCY @ 7 MICRONS	QTY	TYPE	WIRE GUARD	LOCATION	SIZE	FIRE SYSTEM TYPE	SIZE			ELECTRICAL MODEL #	SWITCHES QUANTITY
1		SS BAFFLE WITH HANDLES	5	16'	16'	30%	3	L55 SERIES E26	NO							NO	425 LBS

HOOD OPTIONS

HOOD NO	TAG	OPTION
1		BACKSPLASH 80.00' HIGH X 96.00' LONG 430 SS VERTICAL. RISER SENSOR INSTALL 3IN DBL.

PERFORATED SUPPLY PLENUM(S)

HOOD NO	TAG	POS	LENGTH	WIDTH	HEIGHT	TYPE	RISER(S)				
							WIDTH	LENG	DIA	CFM	SP
1		Front	96'	18'	6'	MUA	12"	24"		586	0.155'
						MUA	12"	24"		586	0.155'
						MUA	12"	24"		586	0.155'

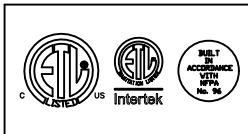
NOTICE TO CONTRACTOR:
All construction must comply with current NC Building Codes and is subject to field inspection and verification.

Reviewed for Code Compliance

09/13/2021




Notes: 1. Equipment and hood must be interlocked so equipment will not operate unless exhaust fan is operational. 2. Hood may not be installed adjacent to wood studs/drywall. Provide metal stud framing covered with drywall at hood and at least 18 inches beyond.



JOB# 8' Hood	
LOCATION Spring Lake, NC,	
DATE 6/10/2021	JOB # 4931432
DWG # 1	DRAWN BY
REV.	SCALE 3/8" = 1'-0"



GREASE DUCT & CHIMNEY SPECIFICATIONS:

PROVIDE GREASE DUCT EQUAL TO VENTILATION DIRECT MODEL "VDW" ROUND 20 GAUGE 430 STAINLESS STEEL DUCTWORK. MODEL "VDW" IS LISTED TO UL-1978 AND IS INSTALLED USING "V" CLAMP LOCKING CONNECTIONS SEALED WITH 3M FIRE BARRIER 2000 PLUS. MODEL "VDW" DOES NOT REQUIRE WELDING PROVIDING IT HAS BEEN INSTALLED PER THE MANUFACTURES INSTALLATION GUIDE.

PROVIDE RATED ACCESS DOORS AT EVERY CHANGE IN DIRECTION AND EVERY 12' ON CENTER. PER MANUFACTURES LISTING MODEL "VDW" HORIZONTAL RUNS LESS THAN 75 FT. CAN BE SLOPED 1/16" PER 12", HORIZONTAL RUNS MORE THAN 75 FT. CAN BE SLOPED 3/16" PER 12". DUCT SHOULD BE SLOPED AS MUCH AS POSSIBLE TO REDUCE THE CHANCE OF GREASE ACCUMULATION IN HORIZONTAL RUNS.

IF THE DUCT OR CHIMNEY IS WITHIN 18 INCHES OF COMBUSTIBLE MATERIAL, PROVIDE UL-2221 OR UL-103 HT LISTED DOUBLE WALL GREASE DUCT OR DOUBLE WALL CHIMNEY EQUAL TO VENTILATION DIRECT MODEL "VDW- 2R, 2R TYPE HT, 3R, OR 3Z" ROUND 20 GAUGE 430 STAINLESS INNER DUCT INSULATED WITH A 24 GAUGE 430 STAINLESS OUTER SHELL.

PATENT NUMBERS

AC-PSP (UNITED STATES) - US PATENT 7963830 B2.
AC-PSP WALL (CANADA) - CA PATENT 2820509.
AC-PSP ISLAND (CANADA) - CA PATENT 2520330.

VENTILATION DIRECT RECOMMENDS THE USE OF LISTED, PRE-FABRICATED ROUND GREASE EXHAUST DUCT TO REDUCE STATIC PRESSURE IN THE SYSTEM, MINIMIZE INSTALLATION AND INSPECTION TIMES, AND ENSURE DUCT IS LIQUID TIGHT

HVAC DISTRIBUTION NOTE

HIGH VELOCITY DIFFUSERS OR HVAC RETURNS SHOULD NOT BE PLACED WITHIN TEN (10) FEET OF THE EXHAUST HOOD. PERFORATED DIFFUSERS ARE RECOMMENDED.

VERIFY CEILING HEIGHT

___' - ___"

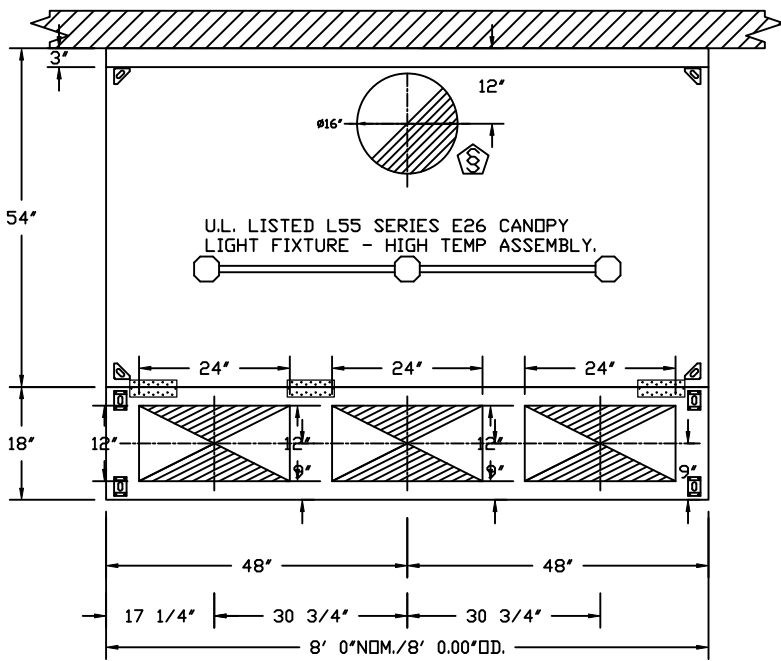
HEIGHT REQUIRED TO VERIFY THAT HOOD FITS SPACE AND TO SIZE THE ENCLOSURE PANELS

CUSTOMER APPROVAL TO MANUFACTURE:

APPROVED AS NOTED
APPROVED WITH NO EXCEPTION TAKEN
REVISE AND RESUBMIT
SIGNATURE _____
YOUR TITLE _____ DATE _____

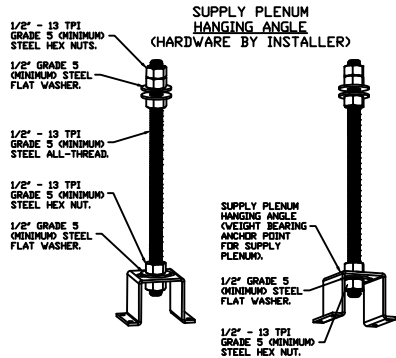


<i>JOB</i> 8' Hood	
<i>LOCATION</i> Spring Lake, NC,	
<i>DATE</i> 6/10/2021	<i>JOB #</i> 4931432
<i>DWG #</i> 2	<i>DRAWN BY</i>
<i>REV.</i>	<i>SCALE</i> 3/8' = 1'-0'



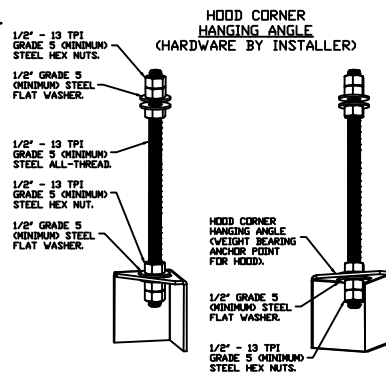
U.L. LISTED L55 SERIES E26 CANDY LIGHT FIXTURE - HIGH TEMP ASSEMBLY.

PLAN VIEW - HOOD #1
8' 0.00" LONG 5424VX-2-PSP-F



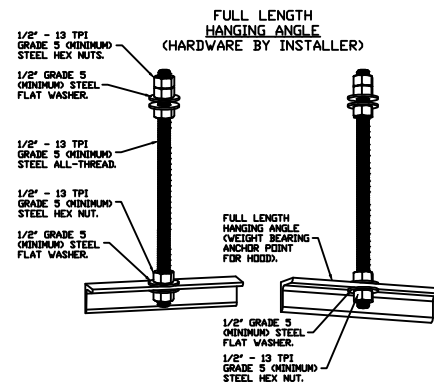
ASSEMBLY INSTRUCTIONS

HANGING ANGLE MUST BE SUPPORTED WITH 1/2" - 13 TPI GRADE 5 (MINIMUM) ALL-THREAD. SANDWICH HANGING ANGLES AND CEILING ANCHOR POINTS WITH 1/2" GRADE 5 (MINIMUM) STEEL FLAT WASHERS AND 1/2" - 13 TPI GRADE 5 (MINIMUM) HEX NUTS AS SHOWN. MUST USE DOUBLED HEX NUT CONFIGURATION ABOVE CEILING ANCHORS. SINGLE HEX NUT BENEATH HANGING ANGLE IS ACCEPTABLE FOR PSP HANGING ANGLES. MAINTAIN 1/4" OF EXPOSED THREADS BENEATH BOTTOM HEX NUT. TORQUE ALL HEX NUTS TO 57 FT-LBS.



ASSEMBLY INSTRUCTIONS

HANGING ANGLE MUST BE SUPPORTED WITH 1/2" - 13 TPI GRADE 5 (MINIMUM) ALL-THREAD. SANDWICH HANGING ANGLES AND CEILING ANCHOR POINTS WITH 1/2" GRADE 5 (MINIMUM) STEEL FLAT WASHERS AND 1/2" - 13 TPI GRADE 5 (MINIMUM) HEX NUTS AS SHOWN. MUST USE DOUBLED HEX NUT CONFIGURATION BENEATH HOOD HANGING ANGLES AND ABOVE CEILING ANCHORS. MAINTAIN 1/4" OF EXPOSED THREADS BENEATH BOTTOM HEX NUT. TORQUE ALL HEX NUTS TO 57 FT-LBS.



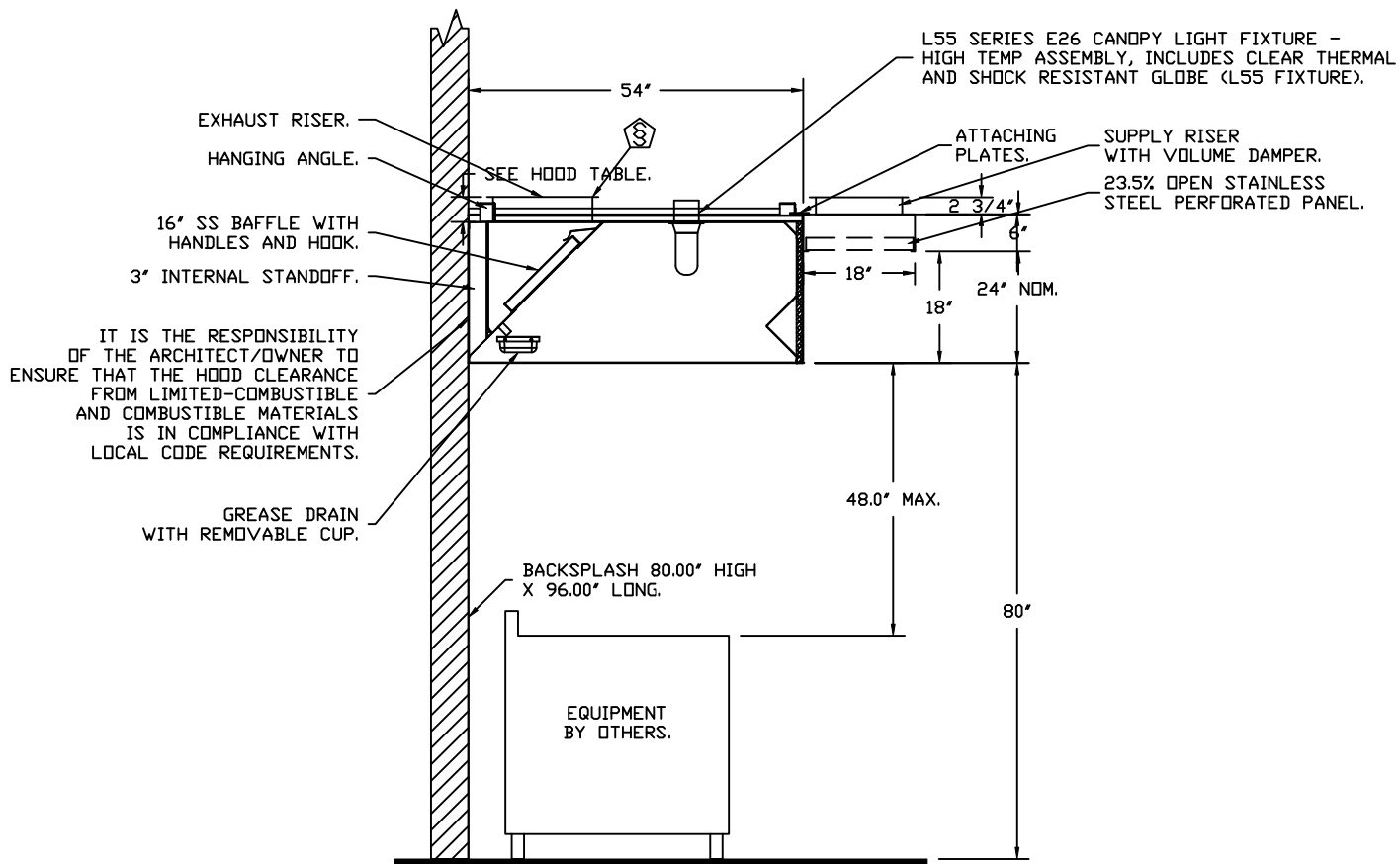
ASSEMBLY INSTRUCTIONS

HANGING ANGLE MUST BE SUPPORTED WITH 1/2" - 13 TPI GRADE 5 (MINIMUM) ALL-THREAD. SANDWICH HANGING ANGLES AND CEILING ANCHOR POINTS WITH 1/2" GRADE 5 (MINIMUM) STEEL FLAT WASHERS AND 1/2" - 13 TPI GRADE 5 (MINIMUM) HEX NUTS AS SHOWN. MUST USE DOUBLED HEX NUT CONFIGURATION ABOVE CEILING ANCHORS. SINGLE HEX NUT BENEATH HANGING ANGLE IS ACCEPTABLE FOR FULL LENGTH HANGING ANGLES. MAINTAIN 1/4" OF EXPOSED THREADS BENEATH BOTTOM HEX NUT. TORQUE ALL HEX NUTS TO 57 FT-LBS.



Ventilation Direct

JOB 8' Hood	
LOCATION Spring Lake, NC,	
DATE 6/10/2021	JOB # 4931432
DWG # 3	DRAWN BY
REV.	SCALE 3/8" = 1'-0"



SECTION VIEW - MODEL 5424VX-2-PSP-F
HOOD - #1

			JOB 8' Hood	
			LOCATION Spring Lake, NC,	
			DATE 6/10/2021	JOB # 4931432
			DWG # 4	DRAWN BY
		REV.	SCALE 3/8" = 1'-0"	

EXHAUST FAN INFORMATION - JOB#4931432

FAN UNIT NO	TAG	QTY	FAN UNIT MODEL #	MANUFACTURER	CFM	ESP	RPM	MOTOR ENCL	HP	BHP	PHASE	VOLT	FLA	DISCHARGE VELOCITY	WEIGHT (LBS)	SONES
1		1	VXD85	VENTILATION DIRECT	2200	0.750	1413	DDP	0.750	0.5030	1	115	9.8	696 FPM	98	15.2

MUA FAN INFORMATION - JOB#4931432

FAN UNIT NO	TAG	QTY	FAN UNIT MODEL #	BLOWER	HOUSING	MIN CFM	DESIGN CFM	ESP	RPM	MOTOR ENCL	HP	BHP	PHASE	VOLT	FLA	MCA	MOCP	WEIGHT (LBS)	SONES
2		1	VA1-G10	G10D	A1	-	1760	0.500	915	TEAD-ECM	1.000	0.5750	1	115	11.6	15.6A	25A	197	20

FAN OPTIONS

FAN UNIT NO	TAG	QTY	DESCRIPTION
1		1	GREASE BDX.
		1	2 YEAR PARTS WARRANTY.
2		1	ECM WIRING PACKAGE-SUPPLY - PWM SIGNAL FROM ECPM03 PREWIRE (TELCD MOTOR), CW ROTATION.
		1	2 YEAR PARTS WARRANTY.

FAN ACCESSORIES

FAN UNIT NO	TAG	EXHAUST			SUPPLY			
		GREASE CUP	GRAVITY DAMPER	WALL MOUNT	SIDE DISCHARGE	GRAVITY DAMPER	MOTORIZED DAMPER	WALL MOUNT
1		YES						

CURB ASSEMBLIES

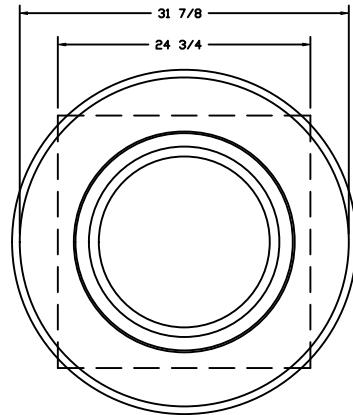
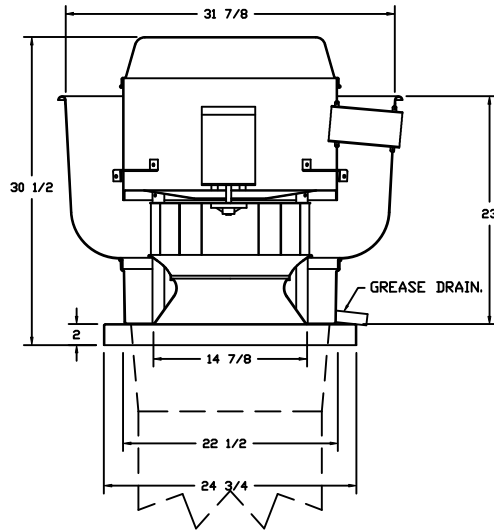
NO	DN FAN	WEIGHT	ITEM	SIZE
1	# 1	36 LBS	CURB	23.000"W X 23.000"L X 20.000"H ALONG LENGTH, RIGHT VENTED HINGED.
2	# 2	29 LBS	CURB	21.000"W X 21.000"L X 20.000"H ALONG LENGTH, RIGHT.
3		29 LBS	EXHAUST ADAPTER	FROM 31.000"SQ TO 26.500"SQ X 9.000"H.



Ventilation Direct

<i>JOB</i> 8' Hood	
<i>LOCATION</i> Spring Lake, NC,	
<i>DATE</i> 6/10/2021	<i>JOB #</i> 4931432
<i>DWG #</i> 5	<i>DRAWN BY</i>
<i>REV.</i>	<i>SCALE</i> 3/8' = 1'-0'

FAN #1 VXD85 - EXHAUST FAN



TOP VIEW

FEATURES:

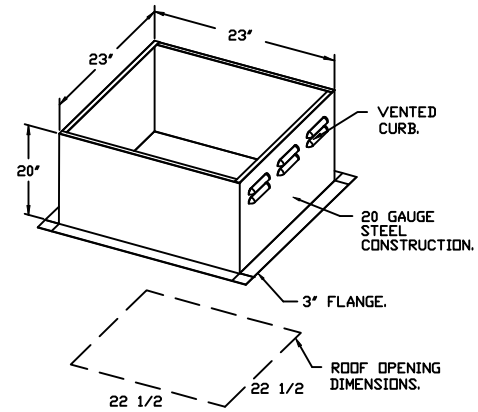
- DIRECT DRIVE CONSTRUCTION (NO BELTS/PULLEYS).
- ROOF MOUNTED FANS.
- RESTAURANT MODEL.
- UL705 AND UL762 AND ULC-S645
- VARIABLE SPEED CONTROL.
- INTERNAL WIRING.
- THERMAL OVERLOAD PROTECTION (SINGLE PHASE).
- HIGH HEAT OPERATION 300°F (149°C).
- GREASE CLASSIFICATION TESTING.
- NEMA 3R SAFETY DISCONNECT SWITCH.

NORMAL TEMPERATURE TEST
 EXHAUST FAN MUST OPERATE CONTINUOUSLY WHILE EXHAUSTING AIR AT 300°F (149°C) UNTIL ALL FAN PARTS HAVE REACHED THERMAL EQUILIBRIUM, AND WITHOUT ANY DETERIORATING EFFECTS TO THE FAN WHICH WOULD CAUSE UNSAFE OPERATION.

ABNORMAL FLARE-UP TEST
 EXHAUST FAN MUST OPERATE CONTINUOUSLY WHILE EXHAUSTING BURNING GREASE VAPORS AT 600°F (316°C) FOR A PERIOD OF 15 MINUTES WITHOUT THE FAN BECOMING DAMAGED TO ANY EXTENT THAT COULD CAUSE AN UNSAFE CONDITION.

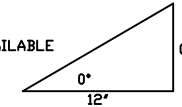
OPTIONS

- GREASE BOX.
- 2 YEAR PARTS WARRANTY.



PITCHED CURBS ARE AVAILABLE FOR PITCHED ROOFS.

SPECIFY PITCH:
 EXAMPLE: 7/12 PITCH = 30° SLOPE.



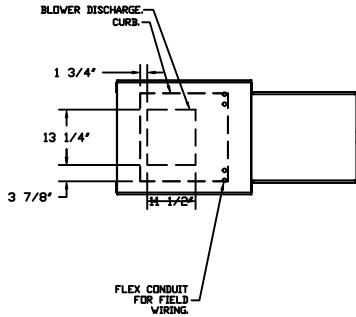
Ventilation Direct

JOB 8' Hood	
LOCATION Spring Lake, NC,	
DATE 6/10/2021	JOB # 4931432
DWG # 6	DRAWN BY
REV.	SCALE 3/8" = 1'-0"

FAN #2 VAI-G10D - SUPPLY FAN

1. DIRECT DRIVE UNTEMPERED SUPPLY UNIT WITH 10" BLOWER IN SIZE #1 HOUSING WITH SPEED CONTROL, DISCONNECT SWITCH.
2. INTAKE HOOD WITH EZ FILTERS-LOW CFM.
3. DOWN DISCHARGE - AIR FLOW RIGHT -> LEFT.
4. ECM WIRING PACKAGE FOR SUPPLY MOTORS WITH PWM SIGNAL FROM ECM03 PREWIRE.
5. HINGED DOUBLE WALL INSULATED DOOR ASSEMBLY (BURNER/BLOWER SECTION).
6. 2 YEAR PARTS WARRANTY.

*NOTE: SUPPLY DUCT MUST BE INSTALLED TO MEET SMACNA STANDARDS. A MINIMUM STRAIGHT DUCT LENGTH MUST BE MAINTAINED DOWNSTREAM OF UNIT DISCHARGE AS OUTLINED IN AMCA PUBLICATION 201. WHEN USING RECTANGULAR DUCTWORK, ELBOWS MUST BE RADIUS THROAT, RADIUS BACK WITH TURNING VANES. FLEXIBLE DUCTWORK AND SQUARE THROAT/SQUARE BACK ELBOWS SHOULD NOT BE USED. ANY TRANSITION AND/OR TURNS IN THE DUCTWORK WILL CAUSE SYSTEM EFFECT. SYSTEM EFFECT WILL DRASTICALLY INCREASE STATIC PRESSURE AND REDUCE AIRFLOW. DO NOT RELY ON UNIT TO SUPPORT DUCT IN ANY WAY. FAILURE TO PROPERLY SIZE DUCTWORK MAY CAUSE SYSTEM EFFECTS AND REDUCE PERFORMANCE OF THE EQUIPMENT. SUGGESTED STRAIGHT DUCT SIZE IS 14" x 14".



GREASE DUCT & CHIMNEY SPECIFICATIONS:

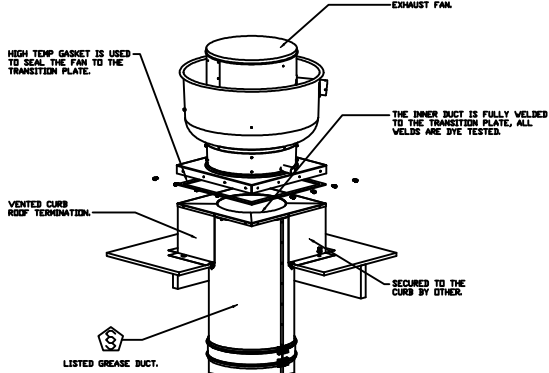
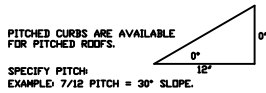
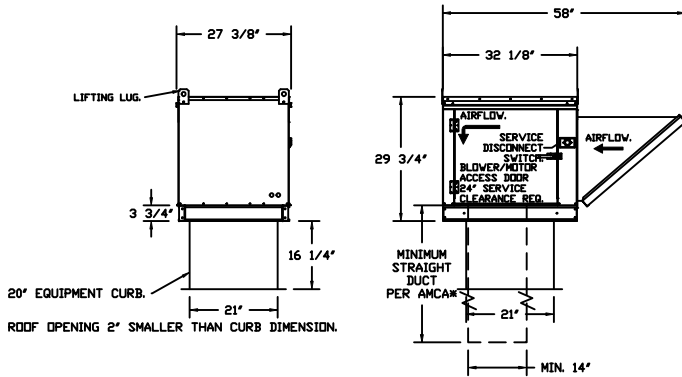
PROVIDE GREASE DUCT EQUAL TO VENTILATION DIRECT MODEL "VDW" ROUND 20 GAUGE 430 STAINLESS STEEL DUCTWORK. MODEL "VDW" IS LISTED TO UL-1978 AND IS INSTALLED USING "V" CLAMP LOCKING CONNECTIONS SEALED WITH 3M FIRE BARRIER 2000 PLUS. MODEL "VDW" DOES NOT REQUIRE WELDING PROVIDING IT HAS BEEN INSTALLED PER THE MANUFACTURES INSTALLATION GUIDE.

PROVIDE RATED ACCESS DOORS AT EVERY CHANGE IN DIRECTION AND EVERY 12' ON CENTER. PER MANUFACTURES LISTING MODEL "VDW" HORIZONTAL RUNS LESS THAN 75 FT. CAN BE SLOPED 1/16" PER 12", HORIZONTAL RUNS MORE THAN 75 FT. CAN BE SLOPED 3/16" PER 12". DUCT SHOULD BE SLOPED AS MUCH AS POSSIBLE TO REDUCE THE CHANCE OF GREASE ACCUMULATION IN HORIZONTAL RUNS.

IF THE DUCT OR CHIMNEY IS WITHIN 18 INCHES OF COMBUSTIBLE MATERIAL, PROVIDE UL-2221 OR UL-103 HT LISTED DOUBLE WALL GREASE DUCT OR DOUBLE WALL CHIMNEY EQUAL TO VENTILATION DIRECT MODEL "VDW- 2R, 2R TYPE HT, 3R, OR 3Z" ROUND 20 GAUGE 430 STAINLESS INNER DUCT INSULATED WITH A 24 GAUGE 430 STAINLESS OUTER SHELL.

CUSTOMER APPROVAL TO MANUFACTURE:

APPROVED AS NOTED	<input type="checkbox"/>
APPROVED WITH NO EXCEPTION TAKEN	<input type="checkbox"/>
REVISE AND RESUBMIT	<input type="checkbox"/>
SIGNATURE _____	
YOUR TITLE _____	DATE _____



JOB 8' Hood	
LOCATION Spring Lake, NC,	
DATE 6/10/2021	JOB # 4931432
DWG # 7	DRAWN BY
REV.	SCALE 1/4" = 1'-0"

Exhaust Fan Wiring

JOB 4931432 - 8' Ho...

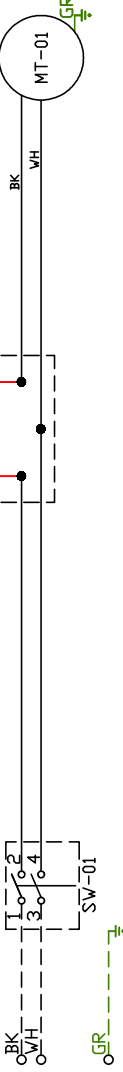
DRAWING NUMBER EXH4931432-1

SHIP DATE 6/10/2021

MODEL VXD85

1

2



3

4

5

6

7

8

9

10

11

12

13

14

15

16

17

18

19

20

21

22

23

Installed Options

Speed Control

Component Identification
Label Description Location

MT-01 Fan Motor [3]

QD-01 Quick Disconnect [3]

SC-01 Speed Control [2]

SW-01 Main disconnect switch [3]

EXHAUST MOTOR INED
0.75HP-115V-IP-9.8FLA

ELECTRICAL INFORMATION
MOTOR/CTRL MCA: 12.3A
MOTOR/CTRL MDP: 20A

NOTES
--- DENOTES FIELD WIRING
--- DENOTES INTERNAL WIRING

WIRE COLOR

BK - BLACK YW - YELLOW
BL - BLUE GR - GREEN
BR - BROWN GY - GRAY
OR - ORANGE PR - PURPLE
RD - RED PK - PINK
WH - WHITE

AirHandler Wiring

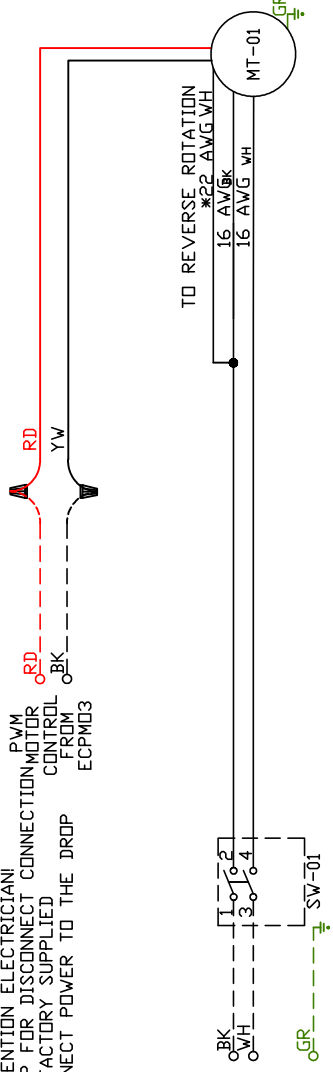
JOB 4931432 - 8' Ho...

DRAWING NUMBER A4931432-2

SHIP DATE 6/10/2021

MODEL VAI-G10

ATTENTION ELECTRICIAN!
 DROP FOR DISCONNECT CONNECTION MOTOR
 IS FACTORY SUPPLIED
 CONTROL FROM
 ECPRM03



1

2

3

4

5

6

7

8

9

10

11

12

13

14

15

16

17

18

19

20

21

22

23

Installed Options

Component Identification
 Label Description Location

MT-01 Supply motor [2]

SW-01 Main disconnect switch [2]

SUPPLY MOTOR INFO
 1HP-115V-IP-11.6FLA

ELECTRICAL INFORMATION
 MOTOR/CTRL CIRCUIT MCA: 15.6A
 MOTOR/CTRL CIRCUIT MOP: 25A

NOTES
 --- DENOTES FIELD WIRING
 - - - - - DENOTES INTERNAL WIRING

WIRE COLOR

- BK - BLACK
- BL - BLUE
- BR - BROWN
- DR - ORANGE
- RD - RED
- WH - WHITE
- YW - YELLOW
- GR - GREEN
- GY - GRAY
- PR - PURPLE
- PK - PINK

ELECTRICAL PACKAGE - JOB#4931432

NO	TAG	PACKAGE #	LOCATION	SWITCHES		OPTION	FANS CONTROLLED				
				LOCATION	QUANTITY		TYPE	φ	HP	VOLT	FLA
1		SC-111110FP	WALL MOUNT IN SS BDX	05 - SS WALL MOUNT BDX	1 LIGHT 1 FAN	SMART CONTROLS THERMOSTATIC CONTROL	EXHAUST	1	0.750	115	9.8
							SUPPLY	1	1.000	115	11.6



Ventilation Direct

<i>JOB</i> 8' Hood	
<i>LOCATION</i> Spring Lake, NC,	
<i>DATE</i> 6/10/2021	<i>JOB #</i> 4931432
<i>DWG #</i> 10	<i>DRAWN BY</i>
<i>REV.</i>	<i>SCALE</i> 3/8' = 1'-0'

JOB NO
4931432

MODEL NUMBER
SC-11110FP

DRAWN BY
INSTALL

DESCRIPTION OF OPERATION:

120V 1 Phase w/ control for 1 Exhaust Fan, 1 Supply Fan, Exhaust on in Fire, Lights out in Fire, Fan(s) On/Off
Thermostatically Controlled. Room temperature sensor shipped loose for field installation.

JOB NAME
8' Hood

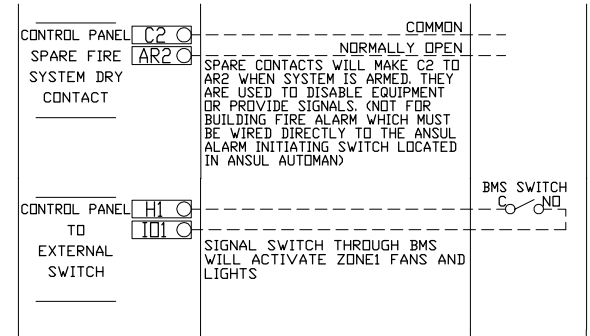
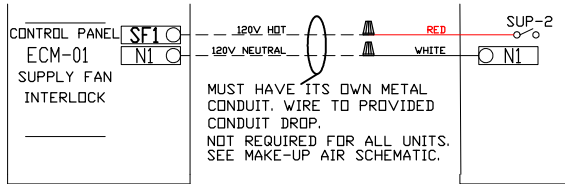
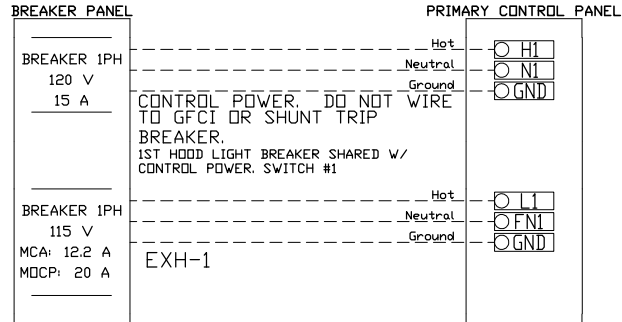
DATE
6/10/2021

DWG NO
ECP #1-1

BREAKER PANEL TO PRIMARY CONTROL PANEL

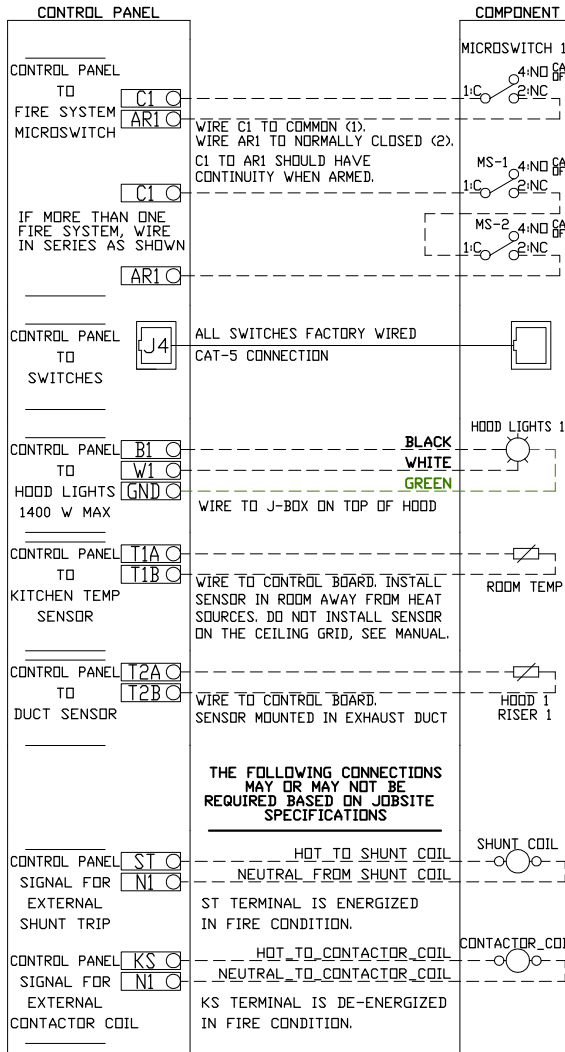
Responsibility: Electrician

BREAKER SIZE SHOWN IS THE MAXIMUM ALLOWED



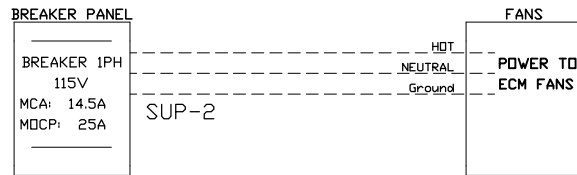
CONTROL PANEL TO ACCESSORY ITEMS

Responsibility: Electrician



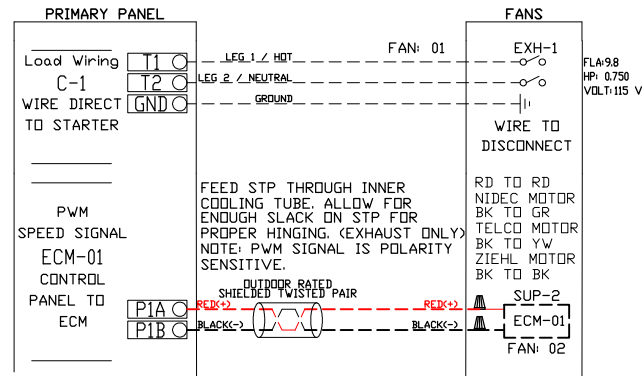
BREAKER PANEL TO FANS

Responsibility: Electrician



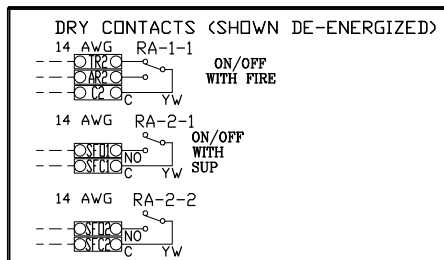
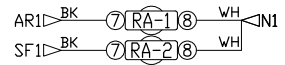
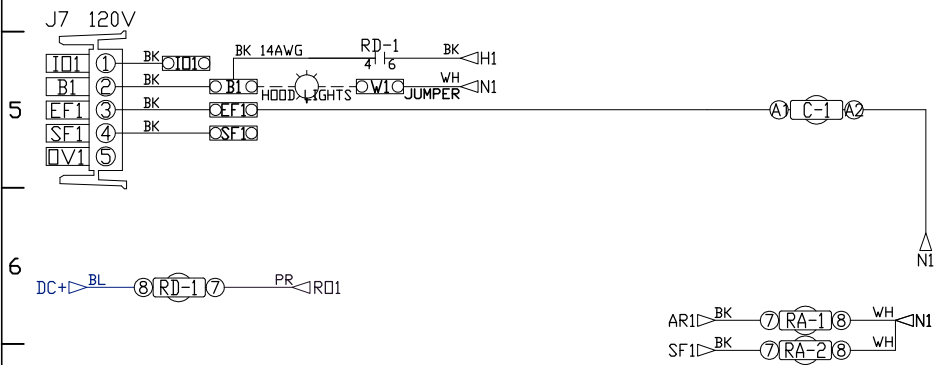
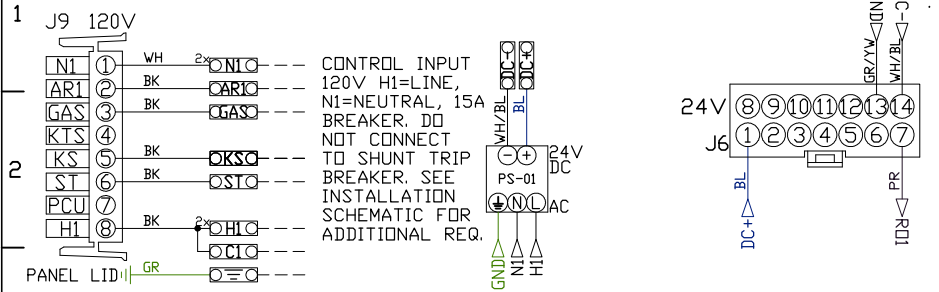
CONTROL PANEL TO FANS

Responsibility: Electrician



THE FOLLOWING CONNECTIONS MAY OR MAY NOT BE REQUIRED BASED ON JOBSITE SPECIFICATIONS

UNLESS SPECIFIED OTHERWISE, ALL FACTORY AC WIRING 16 AWG. ALL FACTORY DC WIRING 18 AWG.



N/A
50.8%

FACTORY WIRING SCHEMATIC CIRCUIT BOARDS

DCV Rev. 2.12.00
HMI Rev. 2.12.00

RA-x	RD-x
120 VAC	24 VDC
RELAY	RELAY
NO 4 3	NO 4 3
NC 2 1	NC 2 1
COIL 8 7	COIL 8 7
COM 6 5	COM 6 5

COMPONENT LIST

LABEL	DESCRIPTION
ST-X	Starter varies
DL-X	Overload varies
C-X	Contactors varies
PS-1	Power Sup. 24VDC MDPI8-24A-1C
RA-x	120V Relay DPDT 34.110.0184.0
RD-x	24VDC Light Relay 34.110.0188.0

LEGEND

--- FIELD WIRING
--- FACTORY WIRING

BK- BLACK YW- YELLOW
BL- BLUE GY- GREY
BR- BROWN PR- PURPLE
OR- ORANGE RD- RED
WH- WHITE GR- GREEN
DR/BL- DR/BL STRIPE
BL/RD- BL/RD STRIPE
RD/GN- RD/GN STRIPE
WH/BL- WH/BL STRIPE

JOB NAME

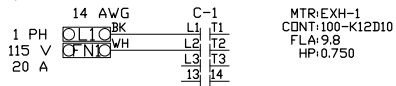
8" Hood
DRAWING TITLE
SC-111110FP

DESCRIPTION OF OPERATION
120V 1 Phase w/ control for 1 Exhaust Fan, 1 Supply Fan, Exhaust on in Fire, Lights out in Fire, Fan(s) On/Off Thermostatically Controlled. Room temperature sensor shipped loose for field installation.

JOB NO	DRAWN BY
4931432	
TYPE	DATE
FACTORY	6/10/2021
DWG NO ECP	#1-2

A B C D E F G H I

MOTOR POWER CIRCUITS. SEE INSTALLATION
DIAGRAM FOR FIELD WIRING REQUIREMENTS.



**FACTORY WIRING
SCHEMATIC
CIRCUIT BOARDS**
DCV Rev. 2.10.00
HMI Rev. 2.10.00

RA-x 120 VAC RELAY	RD-x 24 VDC RELAY
NO 4 3	NO 4 3
NC 2 1	NC 2 1
COIL 8 7	COIL 8 7
COM 6 5	COM 6 5

COMPONENT LIST

LABEL	DESCRIPTION
ST-X	Starter varies
C-X	Contactator varies
SM-X	VFD varies
LR-X	Line/Load Reactor varies

LEGEND

--- FIELD WIRING
___ FACTORY WIRING

BK- BLACK	YW- YELLOW
BL- BLUE	GY- GREY
BR- BROWN	PR- PURPLE
OR- ORANGE	RD- RED
WH- WHITE	GR- GREEN
OR/BL- OR/BL STRIPE	
BL/RD- BL/RD STRIPE	
RD/GN- RD/GN STRIPE	
WH/BL- WH/BL STRIPE	

JOB NAME
8' Hood

DRAWING TITLE
SC-111110FP

DESCRIPTION OF OPERATION
120V 1 Phase w/ control
for 1 Exhaust Fan, 1
Supply Fan, Exhaust on
In Fire, Lights out in
Fire, Fan(s) On/Off
Thermostatically
Controlled. Room
temperature sensor
shipped loose for field
Installation.

JOB NO 4931432	DRAWN BY
TYPE FACTORY	DATE 6/10/2021
DWG NO ECP #1-3	

DUCTWORK #1 PARTS - JOB#4931432

DUCTWORK #1 FRONT VIEW

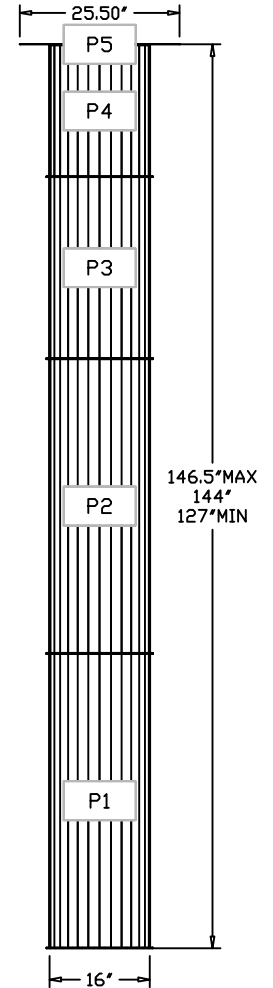
TAG	PART #	CFM	GPM	ZONE	COVEREDBY	SP	WEIGHT	VELOCITY	QTY	DESCRIPTION
P1	VDW1647LT	2200				-0.0153	24.89	1575.63	1	SINGLE WALL DUCT 16" DIAMETER, 47' LONG, FLANGE AT BOTH ENDS. STAINLESS STEEL.
P2	VDW1647LT	2200				-0.0153	24.89	1575.63	1	SINGLE WALL DUCT 16" DIAMETER, 47' LONG, FLANGE AT BOTH ENDS. STAINLESS STEEL.
P3	VDW1629LT	2200				-0.0095	15.68	1575.63	1	SINGLE WALL DUCT 16" DIAMETER, 29' LONG, FLANGE AT BOTH ENDS. STAINLESS STEEL.
P4 ASSEMBLED W/P5	VDW1630AJDKIT	2200				-0.0069	20.06	1575.63	1	SINGLE WALL DUCT ADJUSTABLE, 16" DIAMETER, 29.5' LONG, FLANGE AT ONE END WITH A 16" ADJUSTABLE COLLAR - STAINLESS STEEL.
P5 ASSEMBLED W/P4 SYSTEM AT P5	VDW2316TP	2200					8.03	1575.63	1	DUCT TO CURB TRANSITION, 23" CURB TO 16" DUCT, 16 GA ALUMINIZED. USED ON BDU15, DU75 & 85.
	V3M-2000PLUS					-0.571	0.00			
	VDW16CLASY						1.18		4	DUCT "V" CLAMP WITH NEW DESIGN 14 GA BRACKETS, 16" DUCT, ASSEMBLY.
TOTAL WEIGHT							99.87			

SINGLE WALL FACTORY BUILT DUCTWORK

- ALL DUCTWORK IS REQUIRED TO BE INSTALLED WITH THE MAXIMUM SUPPORT SPACING LISTED BELOW.
- FOR A COMPLETE LIST OF APPROVED SUPPORT METHODS, SEE THE INSTALLATION AND OPERATION MANUAL.
- DUCTWORK SHALL SLOPE NOT LESS THAN 1/16" PER LINEAR FOOT TOWARDS THE HOOD OR AN APPROVED GREASE COLLECTION RESERVOIR.
- WHERE HORIZONTAL DUCTS EXCEED 75 FEET IN LENGTH, THE SLOPE SHALL NOT BE LESS THAN 3/16" PER LINEAR FOOT.

DUCT DIAMETER	HORIZONTAL SUPPORT (FT)	VERTICAL WALL SUPPORT (FT)	VERTICAL CURB SUPPORT (FT)
5'	10'	10'	24'
6'	10'	10'	24'
7'	10'	10'	24'
8'	10'	10'	24'
10'	10'	10'	24'
12'	10'	10'	24'
14'	10'	10'	24'
16'	10'	10'	24'
18'	10'	10'	24'
20'	10'	10'	24'
22'	10'	10'	24'
24'	10'	10'	24'
26'	10'	10'	24'
28'	10'	10'	24'
30'	10'	10'	24'
32'	10'	10'	24'
34'	10'	10'	24'
36'	10'	10'	24'

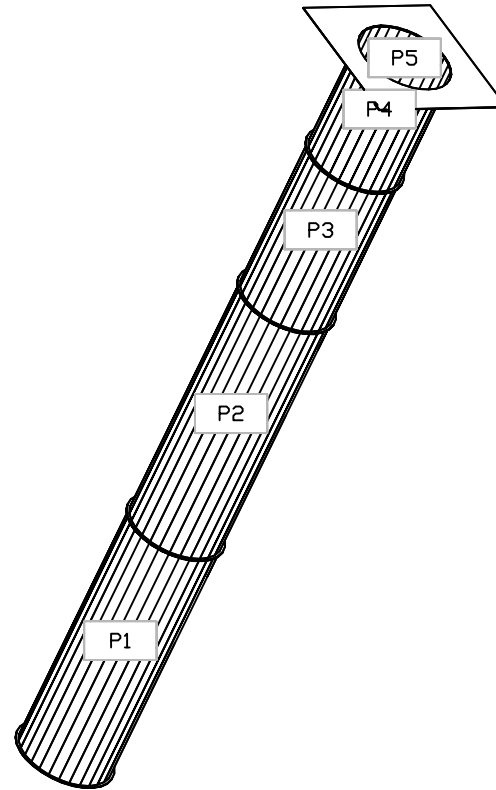
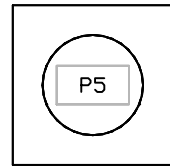
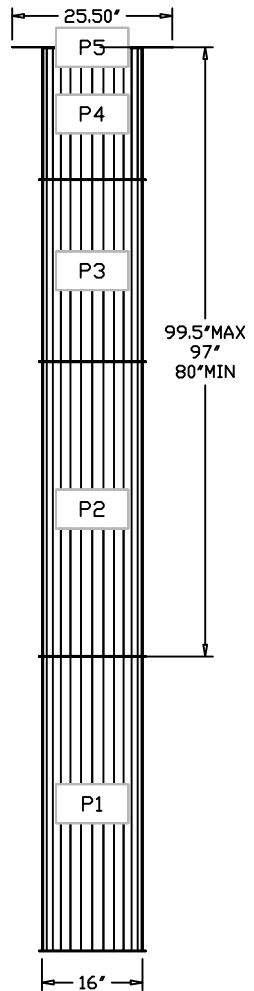
DO NOT LEAK TEST USING SMOKE BOMBS CONTAINING CHLORINES/CHLORIDES. CONSULT WITH CAPTIVEAIRE FOR PROPER LEAK TESTING METHODS.



Ventilation Direct

JOB# 8' Hood	
LOCATION Spring Lake, NC,	
DATE 6/10/2021	JOB # 4931432
DWG # 14	DRAWN BY
REV.	SCALE 3/8" = 1'-0"

DUCTWORK #1 SIDE VIEW DUCTWORK #1 TOP VIEW DUCTWORK #1 SE VIEW



  			JOB 8' Hood	
			LOCATION Spring Lake, NC,	
			DATE 6/10/2021	JOB # 4931432
			DWG # 15	DRAWN BY
			REV.	SCALE 3/8' = 1'-0'