

Existing Private Hydrant  
 Flow Test Date- 12-16-24  
 Static Pressure- 93 PSI  
 Residual Pressure- 53 PSI  
 Flow Rate- 1234 GPM

### GENERAL NOTES

1. THIS RENOVATION HAS BEEN DESIGNED PER NFPA-13. PIPING AND HANGERS SHALL BE INSTALLED IN A STRAIGHT AND WORKMANLIKE MANNER IN ACCORDANCE WITH THE LATEST EDITION OF NFPA 13.
2. ALL NEW PIPE UP TO 1 1/2" SHALL BE SCHEDULE 40 PIPE WITH THREADED FITTINGS. PIPING 2" AND LARGER SHALL BE SCHEDULE 10 BLACK STEEL WITH ROLLED GROOVE FITTING.
3. ALL NEW PIPING WILL BE PROPERLY TESTED. PRESSURE TEST SHALL BE STATIC WATER AT TEST PRESSURE OF 200 PSIG FOR 2 HOURS DURATION WITHOUT LEAK FROM ANY JOINT OR SEGMENT OF THE PIPING SYSTEM FROM ANY EQUIPMENT OR DEVICE.
4. FLUSH, TEST, AND INSPECT SPRINKLER PIPING SYSTEMS IN ACCORDANCE WITH NFPA 13. REPLACE PIPING SYSTEM COMPONENTS WHICH DO NOT PASS THE TEST PROCEDURES SPECIFIED, AND RETEST REPAIRED PORTION OF THE SYSTEM.

**ILC Dover**  
 Interior Addition  
 and Renovation  
 900 Edwards Brothers Drive  
 Lillington, NC

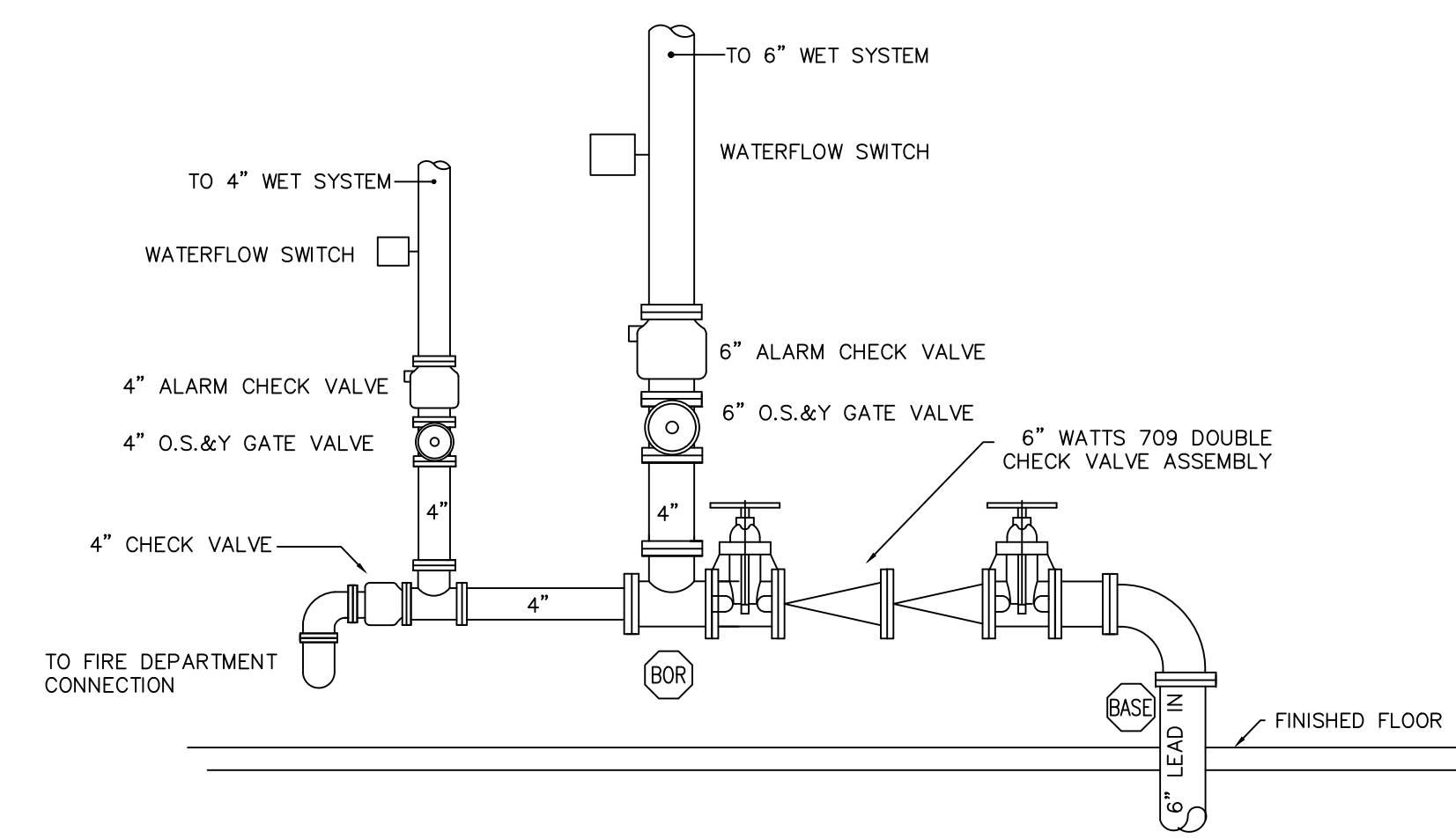
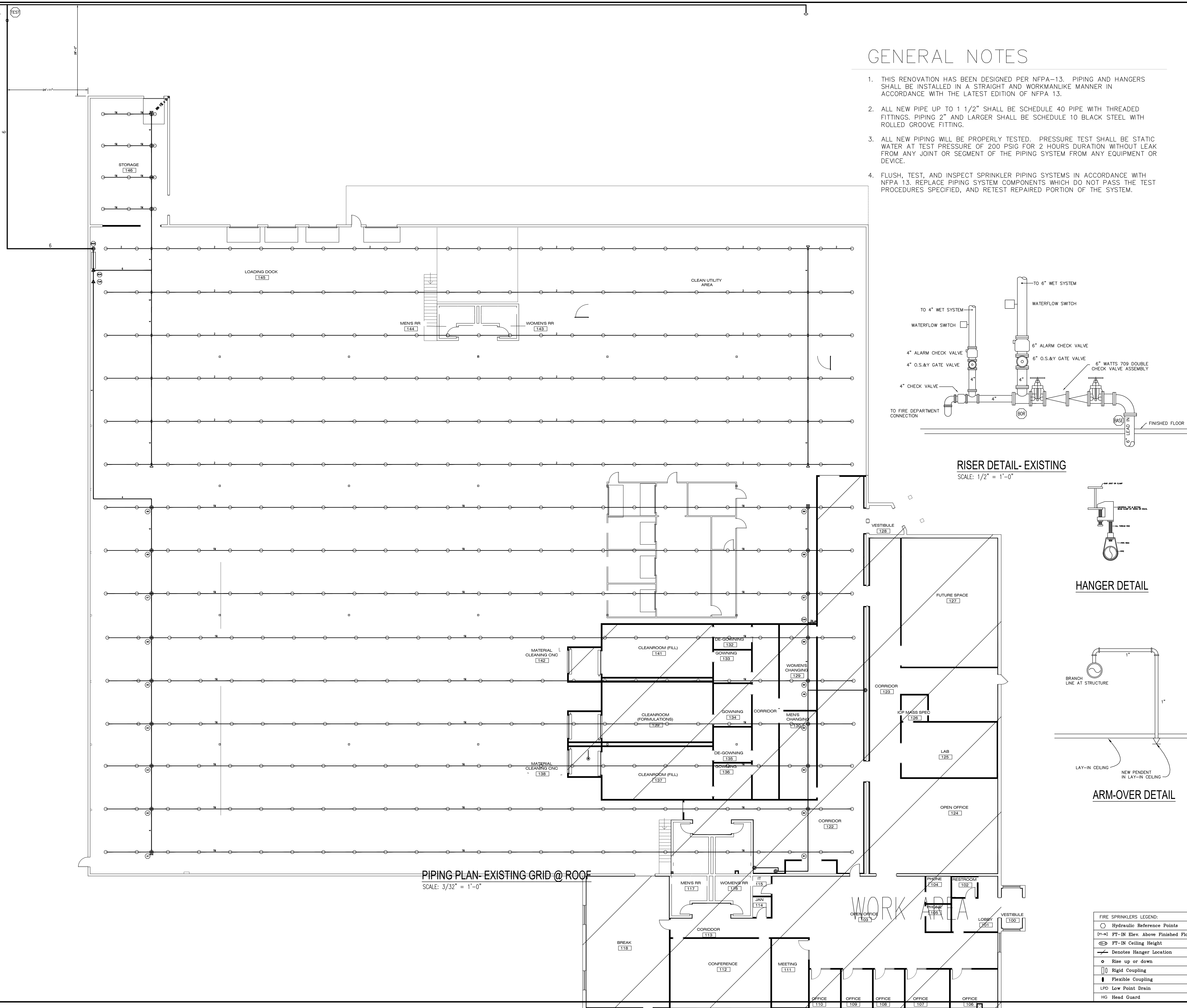
**Owner**  
**ILC Dover LP**  
 One Moonwalker Road  
 Frederica, DE 19946

**ARCHITECT**  
**Redline Design Group**  
 925 Tuckaseegee Road  
 Suite 110  
 Charlotte, NC 28208  
 704-377-2990

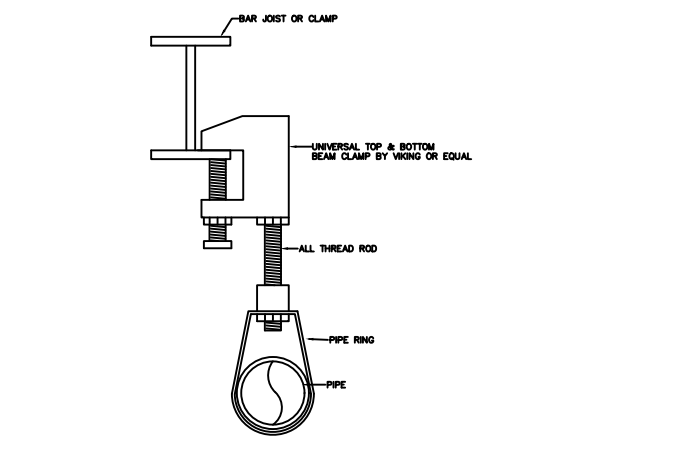
**Job Site Contact**  
**Gilbane Building Company**  
 150 Fayetteville Street, Suite 1100  
 Raleigh, NC 27601  
 Attn: Mark Clox; 919-802-7279m

**Authority Having Jurisdiction**  
**Harnett County Fire Marshal**

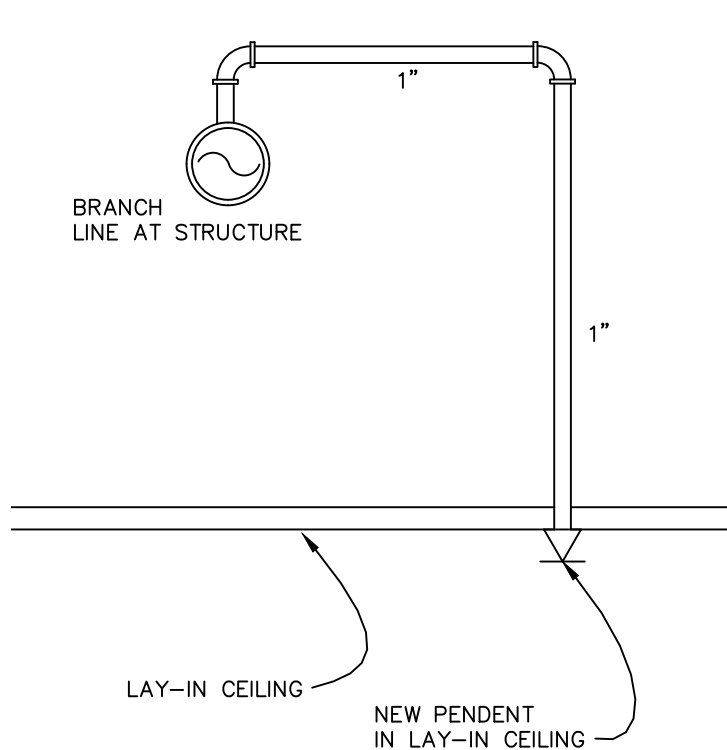
**Fire Protection Contact**  
**ABL Fire Protection, LLC**  
 Design: Petch Lawson  
 300 Hoke Street, Raleigh,  
 North Carolina 27601  
 (919) xxx-xxxx



**RISER DETAIL- EXISTING**  
 SCALE: 1/2" = 1'-0"



**HANGER DETAIL**



**ARM-OVER DETAIL**

**PIPING PLAN- EXISTING GRID @ ROOF**  
 SCALE: 3/32" = 1'-0"

**FIRE SPRINKLERS LEGEND:**

- Hydraulic Reference Points
- PT-IN FT-IN Elev. Above Finished Floor
- PT-IN FT-IN Ceiling Height
- Denotes Hanger Location
- Rise up or down
- Rigid Coupling
- Flexible Coupling
- LPD Low Point Drain
- HG Head Guard

DRAWN BY	RDM
DATE	12/18/24
SCALE	3/32" = 1'-0" UNO
SPRINKLERS ON JOBS	146
CONTRACT NO.	????

DESCRIPTION	REV DATE	BY
1 SUBMITTAL DRAWING	12/18/24	AL

SISHEET TITLE  
**FIRE PROTECTION  
 EXISTING PIPING  
 PLAN**

SHEET NUMBER  
**FP1**



**ABL FIRE PROTECTION, LLC**  
 300 HOKE STREET, RALEIGH  
 NORTH CAROLINA 27601  
 Phone: (919) 835-2225  
 Fax: (919) 835-2210

Contractor Seal  
*Arthur K. Lamson, Jr.*  
 Arthur K. Lamson, Jr. N.I.C.E.T. Level III #20462 FS

I certify that to the best of my knowledge this plan, prepared under my supervision, is in accordance with applicable NFPA standards, current building codes.

This drawing and the information hereon is the property of ABL Fire Protection, LLC and may not be reproduced, altered or used in any form without consent from ABL Fire Protection, LLC.