

Fire Marshal Division

P.O. Box 370
Lillington, NC 27546
910-893-7580

Application for Plan Review

Permit Type: Automatic Fire Extinguishing System - Fixed Fire Suppression Systems/Sprinkler



Date Received: _____ Received By: _____

Name of Project: Cape Fear Conferernce admin building

Physical Address of Project: 25 Beaver Rd Erwin, NC 28339

Plans Submitted By: Fire Protection

Project Phone: (910)-897-3426

Contact Person/Address: Justin Adams

justin@firepro.biz

Contact Phone: (775)-233-6530 (910)-486-6270

Contractor's Name/Info: Fire Protection

1048 Bragg Blvd Fayetteville, NC 28301

Contractor's Phone: (910)-486-6270

Contact Email: justin@firepro.biz

- **Plans that are submitted will be reviewed as quickly as possible with an average time of review between 7-10 working days.**
- **Status checks may be conducted on plan reviews by visiting the website <http://hteweb.harnett.org/Click2GovBP/Index.jsp> or by calling the Harnett County Central Permitting Office (910-893-7525 : Opt. 2), or the Harnett County Fire Marshal's Office (910-893-7580).**
- **Approved plans must be picked up from the Central Permitting Office and all fees paid before any required inspections can be conducted.**

Cape Fear Conference - 25 Beaver Rd Erwin, NC 28339

GENERAL NOTES:

INSTALLATION PER IFC-2018, NFPA 96, 17A, AND UL 300 STANDARDS AND PER MANUFACTURERS' INSTRUCTIONS/RECOMMENDATIONS DESIGN BASED ON SECTION IV OF PROTEX II INSTALLATION MANUAL

ALL PIPE AND FITTINGS ARE 3/8" SCHEDULE 40 BLACK IRON & CHROME PIPING CONFIGURATIONS & LIMITATIONS ARE TOO LENGTHY TO LIST PIPING SHALL BE INSTALLED IN ACCORDANCE WITH THE MANUFACTURER'S REQUIREMENTS SEE CHAPTER 4 - DISTRIBUTION PIPING REQUIREMENTS

ACTUATION & EXPELLENT HOSES, PIPING OR TUBING SHALL BE INSTALLED IN ACCORDANCE WITH CHAPTER 5:"INSTALLING THE ACTUATION & EXPELLANT GAS LINES"

DETECTION LINE LIMITATIONS SHALL BE INSTALLED IN ACCORDANCE WITH PROTEX II TECHNICAL MANUAL CHAPTER 4 - SYSTEM DESIGN
SCISSOR STYLE DETECTORS SHALL BE USED WITHOUT OFF-SET CONDUIT.
MAXIMUM # OF DETECTORS IS 15. MAXIMUM NUMBER OF CORNER PULLEYS IS 20 WITH A MAXIMUM OF 150' OF 1/2" EMT
FUSIBLE LINK INSTALLATION SHALL CONFORM TO MANUFACTURER'S INSTRUCTIONS
APPLIANCES WITH A CONTINUOUS COOKING SURFACE UP TO 48" X 48" SHALL BE PROTECTED WITH A SINGLE DETECTOR
APPLIANCES EXCEEDING 48" X 48" SHALL BE PROTECTED BY MULTIPLE DETECTORS

REMOTE MANUAL PULL STATION(S) SHALL BE INSTALLED ON A PATH OF EGRESS OR EXIT AND IN ACCORDANCE WITH ANSUL TECHNICAL MANUAL CHAPTER 4 - SYSTEM DESIGN
MAXIMUM NUMBER OF 20 CORNER PULLEYS, 150 FEET OF 1/2" EMT AND (1) TEE PULLEY

MECHANICAL GAS VALVE CONNECTIONS SHALL BE MADE IN ACCORDANCE WITH CODE REQUIREMENTS & CHAPTER 4 - SYSTEM DESIGN OF THE PROTEX II MANUAL
A MAXIMUM OF 20 CORNER PULLEYS, 150 FEET OF 1/2" EMT AND (1) TEE PULLEY

ELECTRIC GAS VALVES SHALL BE CONNECTED USING A RESET RELAY
RESET RELAY & ELECTRICAL PORTION OF VALVE INSTALLATION SHALL BE BY A QUALIFIED ELECTRICIAN
CONFORMANCE WITH NFPA #70 IS THE RESPONSIBILITY OF THE INSTALLING CONTRACTOR NOT FIRE PROTECTION

CONNECTION TO FIRE ALARM CONTROL PANEL TO BE MADE BY OTHERS WHEN APPLICABLE
ELECTRICAL DISCONNECTS TO BE PERFORMED BY QUALIFIED ELECTRICIAN, WHEN APPLICABLE
GAS VALVE TO BE INSTALLED BY A QUALIFIED PLUMBER WHEN APPLICABLE
CONFORMANCE TO APPLICABLE NFPA CODES FOR ALARM, ELECTRICAL & PLUMBING WORK IS THE RESPONSIBILITY OF THE INSTALLING CONTRACTOR & IS NOT THE RESPONSIBILITY OF FIRE PROTECTION

CONDITION AND ACCEPTABILITY OF THE EXHAUST HOOD & DUCT IS THE RESPONSIBILITY OF THE OWNER/OPERATOR

APPLIANCES SHOWN ON PLANS ARE REPRESENTATIONAL ONLY - ACTUAL APPLIANCES MAY APPEAR DIFFERENT THAN SHOWN ON PLANS

GENERAL SEQUENCE OF OPERATION - NOT PROJECT SPECIFIC

UPON ACTIVATION OF A FUSIBLE LINK OR REMOTE MANUAL PULL STATION AN PROTEX II WET CHEMICAL FIRE SYSTEM MAY RESULT IN THE FOLLOWING SEQUENCE OF OPERATION:

WET CHEMICAL SHALL DISCHARGE ONTO PROTECTED APPLIANCES & INTO DUCT & PLENUM AREAS OF HOOD SIMULTANEOUSLY, IF CONNECTED, A FIRE ALARM SYSTEM SHALL BE ACTIVATED OR A HORN/STROBE SHALL ACTIVATE (PRECISE OPERATIONS OF FIRE ALARM SYSTEM / CONTROL PANEL ARE NOT THE RESPONSIBILITY OF THE SUPPRESSION SYSTEM CONTRACTOR AND ARE NOT LISTED ON THESE PLANS)
SIMULTANEOUSLY, ALL GAS APPLIANCES LOCATED UNDER THE HOOD SHALL SHUTDOWN VIA MECHANICAL OR ELECTRICAL GAS VALVE

SIMULTANEOUSLY, ALL ELECTRICAL EQUIPMENT, PROTECTED OR UNPROTECTED, UNDER THE HOOD SHALL SHUTDOWN
SIMULTANEOUSLY, HOOD LIGHTS, AS PERMITTED BY CODE MAY REMAIN ON OR MAY SHUTDOWN
SIMULTANEOUSLY, INTERNAL MAKE-UP AIR SHALL SHUTDOWN
SIMULTANEOUSLY, EXTERNAL MAKE-UP AIR MAY REMAIN ON OR MAY SHUTDOWN
SIMULTANEOUSLY, EXHAUST FAN MAY OR MAY NOT CONTINUE TO OPERATE
(IF THE EXHAUST FAN IS OFF AT THE TIME OF DISCHARGE, THE FAN MAY OR MAY NOT TURN ON)

I.D. DESCRIPTION

K1 USED PROTEX CONTROL HEAD CONTAINS (1) CARTRIDGE, (1) SET OF MICROSWITCHES

K2 CYLINDER #1 - (1) L3000 3 GALLON TANK 10 FLOW POINTS AVAIL. 9 USED

K3 HOOD #1: USED TYPE I EXHAUST HOOD: 7'-0" X 78" W/ A SINGLE BANK OF BAFFLED FILTERS CONTAINS (1) EXHAUST DUCTS: 12" X 12"

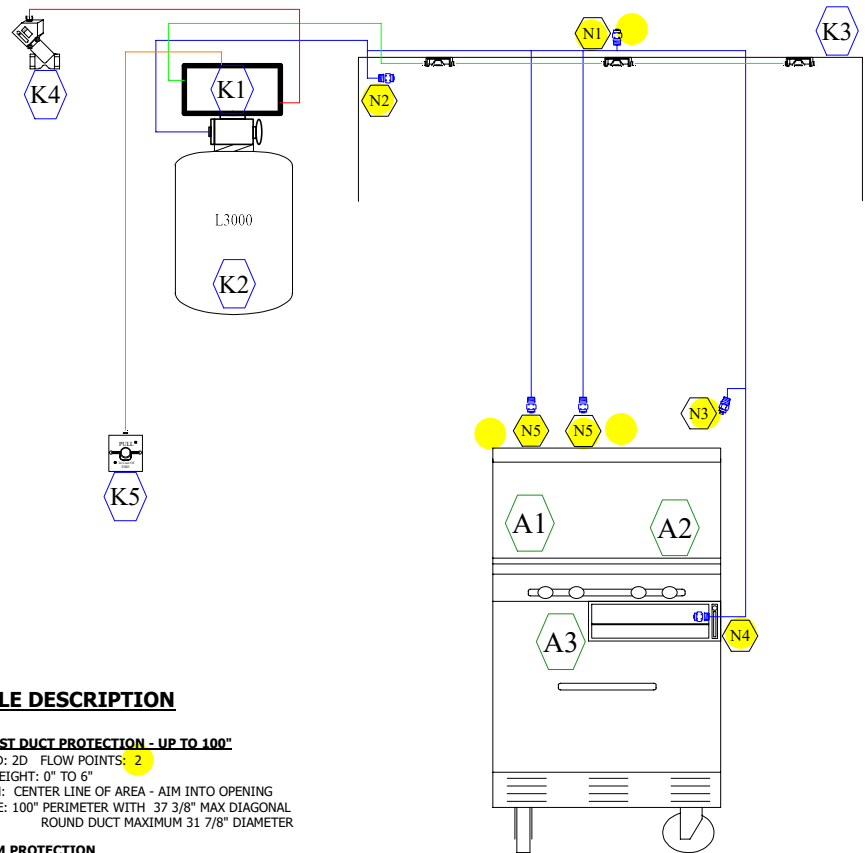
K4 USED MECHANICAL GAS VALVE LOCATED ABOVE THE CEILING

K5 NEW REMOTE MANUAL PULL STATION LOCATED 48" A.F.F. ON PATH OF EGRESS OR EXIT

ANSUL MANUAL #:	418087-12	NOTES:
DRAWING #:	1 OF 1	
SCALE:	NTS	DATE:
DRAWN BY:	JCA	8/29/24

PROJECT NAME & ADDRESS:
Cape Fear Conference

25 Beaver Rd
Erwin, NC 28339



I.D. NOZZLE DESCRIPTION

2D: EXHAUST DUCT PROTECTION - UP TO 100"

N1 NOZZLE ID: 2D FLOW POINTS: 2
NOZZLE HEIGHT: 0" TO 6"
LOCATION: CENTER LINE OF AREA - AIM INTO OPENING
COVERAGE: 100" PERIMETER WITH 37 3/8" MAX DIAGONAL ROUND DUCT MAXIMUM 31 7/8" DIAMETER

1H: PLENUM PROTECTION

N2 NOZZLE ID: 1H FLOW POINTS: 1
NOZZLE HEIGHT: 1/3 WAY DOWN VERTICAL
LOCATION: 2" FROM BACK EDGE OF FILTER WITHIN 6" OF END OF PLENUM
COVERAGE: LENGTH 10' X-0" WIDTH 4'-0"

1H: SMALL GRIDDLE PROTECTION

N3 NOZZLE ID: 1H FLOW POINTS: 1
NOZZLE HEIGHT: 24" TO 48"
LOCATION: 0" - 6" FROM SHORT SIDE AIM CENTER
COVERAGE: MAXIMUM AREA 24" X 48"

1L: UPRIGHT / SALAMANDER BROILER PROTECTION

N4 NOZZLE ID: 1L FLOW POINTS: 1
NOZZLE HEIGHT: 13" TO 24"
LOCATION: ABOVE GRATE, FRONT EDGE AIM BACK OPPOSITE CORNER
COVERAGE: MAXIMUM AREA: 1064SQ. IN., LONGEST SIDE 36"

2L: SMALL RANGE PROTECTION

N5 NOZZLE ID: 2L FLOW POINTS: 2
NOZZLE HEIGHT: 24" TO 35"
LOCATION: FRONT EDGE - AIM 10" FORWARD FROM BACK OF BURNER ON FRONT REAR CENTERLINE
COVERAGE: MAXIMUM AREA: 336 SQ. IN., LONGEST SIDE 28"

I.D. APPLIANCE DESCRIPTION

A1 4 BURNER RANGE 24" X 24"

A2 GRIDDLE 12" X 24"

A3 SALAMANDER 12" X 20"

Fire Protection

1048 Bragg Blvd, Fayetteville, NC 28301
Phone: 910-486-6270