

# Papa's Subs and Pizza - 117 West Cornelius Harnett Blvd Lillington, NC 27546

## GENERAL NOTES:

INSTALLATION PER IFC-2018, NFPA 96, 17A, AND UL 300 STANDARDS AND PER MANUFACTURERS' INSTRUCTIONS/RECOMMENDATIONS DESIGN BASED ON SECTION IV OF PROTEX II INSTALLATION MANUAL

ALL PIPE AND FITTINGS ARE 3/8" SCHEDULE 40 BLACK IRON & CHROME PIPING CONFIGURATIONS & LIMITATIONS ARE TOO LENGTHY TO LIST PIPING SHALL BE INSTALLED IN ACCORDANCE WITH THE MANUFACTURER'S REQUIREMENTS SEE CHAPTER 4 - DISTRIBUTION PIPING REQUIREMENTS

ACTUATION & EXPELLENT HOSES, PIPING OR TUBING SHALL BE INSTALLED IN ACCORDANCE WITH CHAPTER 5:"INSTALLING THE ACTUATION & EXPELLANT GAS LINES"

DETECTION LINE LIMITATIONS SHALL BE INSTALLED IN ACCORDANCE WITH PROTEX II TECHNICAL MANUAL CHAPTER 4 - SYSTEM DESIGN SCISSOR STYLE DETECTORS SHALL BE USED WITHOUT OFF-SET CONDUIT. MAXIMUM # OF DETECTORS IS 15. MAXIMUM NUMBER OF CORNER PULLEYS IS 20 WITH A MAXIMUM OF 150' OF 1/2" EMT FUSIBLE LINK INSTALLATION SHALL CONFORM TO MANUFACTURER'S INSTRUCTIONS APPLIANCES WITH A CONTINUOUS COOKING SURFACE UP TO 48" X 48" SHALL BE PROTECTED WITH A SINGLE DETECTOR APPLIANCES EXCEEDING 48" X 48" SHALL BE PROTECTED BY MULTIPLE DETECTORS

REMOTE MANUAL PULL STATION(S) SHALL BE INSTALLED ON A PATH OF EGRESS OR EXIT AND IN ACCORDANCE WITH PROTEX II TECHNICAL MANUAL CHAPTER 4 - SYSTEM DESIGN MAXIMUM NUMBER OF 20 CORNER PULLEYS, 150 FEET OF 1/2" EMT AND (1) TEE PULLEY

MECHANICAL GAS VALVE CONNECTIONS SHALL BE MADE IN ACCORDANCE WITH CODE REQUIREMENTS & CHAPTER 4 - SYSTEM DESIGN OF THE PROTEX II MANUAL A MAXIMUM OF 20 CORNER PULLEYS, 150 FEET OF 1/2" EMT AND (1) TEE PULLEY

ELECTRIC GAS VALVES SHALL BE CONNECTED USING A RESET RELAY RESET RELAY & ELECTRICAL PORTION OF VALVE INSTALLATION SHALL BE BY A QUALIFIED ELECTRICIAN CONFORMANCE WITH NFPA #70 IS THE RESPONSIBILITY OF THE INSTALLING CONTRACTOR NOT FIRE PROTECTION

CONNECTION TO FIRE ALARM CONTROL PANEL TO BE MADE BY OTHERS WHEN APPLICABLE ELECTRICAL DISCONNECTS TO BE PERFORMED BY QUALIFIED ELECTRICIAN, WHEN APPLICABLE GAS VALVE TO BE INSTALLED BY A QUALIFIED PLUMBER WHEN APPLICABLE CONFORMANCE TO APPLICABLE NFPA CODES FOR ALARM, ELECTRICAL & PLUMBING WORK IS THE RESPONSIBILITY OF THE INSTALLING CONTRACTOR & IS NOT THE RESPONSIBILITY OF FIRE PROTECTION

CONDITION AND ACCEPTABILITY OF THE EXHAUST HOOD & DUCT IS THE RESPONSIBILITY OF THE OWNER/OPERATOR

APPLIANCES SHOWN ON PLANS ARE REPRESENTATIONAL ONLY - ACTUAL APPLIANCES MAY APPEAR DIFFERENT THAN SHOWN ON PLANS

## GENERAL SEQUENCE OF OPERATION - NOT PROJECT SPECIFIC

UPON ACTIVATION OF A FUSIBLE LINK OR REMOTE MANUAL PULL STATION AN PROTEX II WET CHEMICAL FIRE SYSTEM MAY RESULT IN THE FOLLOWING SEQUENCE OF OPERATION:

WET CHEMICAL SHALL DISCHARGE ONTO PROTECTED APPLIANCES & INTO DUCT & PLENUM AREAS OF HOOD SIMULTANEOUSLY, IF CONNECTED, A FIRE ALARM SYSTEM SHALL BE ACTIVATED OR A HORN/STROBE SHALL ACTIVATE (PRECISE OPERATIONS OF FIRE ALARM SYSTEM / CONTROL PANEL ARE NOT THE RESPONSIBILITY OF THE SUPPRESSION SYSTEM CONTRACTOR AND ARE NOT LISTED ON THESE PLANS) SIMULTANEOUSLY, ALL GAS APPLIANCES LOCATED UNDER THE HOOD SHALL SHUTDOWN VIA MECHANICAL OR ELECTRICAL GAS VALVE SIMULTANEOUSLY, ALL ELECTRICAL EQUIPMENT, PROTECTED OR UNPROTECTED, UNDER THE HOOD SHALL SHUTDOWN SIMULTANEOUSLY, HOOD LIGHTS, AS PERMITTED BY CODE MAY REMAIN ON OR MAY SHUTDOWN SIMULTANEOUSLY, INTERNAL MAKE-UP AIR SHALL SHUTDOWN SIMULTANEOUSLY, EXTERNAL MAKE-UP AIR MAY REMAIN ON OR MAY SHUTDOWN SIMULTANEOUSLY, EXHAUST FAN MAY OR MAY NOT CONTINUE TO OPERATE (IF THE EXHAUST FAN IS OFF AT THE TIME OF DISCHARGE, THE FAN MAY OR MAY NOT TURN ON)

## I.D. DESCRIPTION

**K1** USED PROTEX II CONTROL HEAD CONTAINS (1) CARTRIDGE, (1) SET OF MICROSWITCHES

**K2** CYLINDER #1 - (1) L4600 4.6 GALLON TANK 15 FLOW POINTS AVAIL. 12 USED

**K3** HOOD #1: USED TYPE I EXHAUST HOOD: 12'-0" X 78" W/ A SINGLE BANK OF BAFFLED FILTERS CONTAINS (1) EXHAUST DUCTS: 12" X 20"

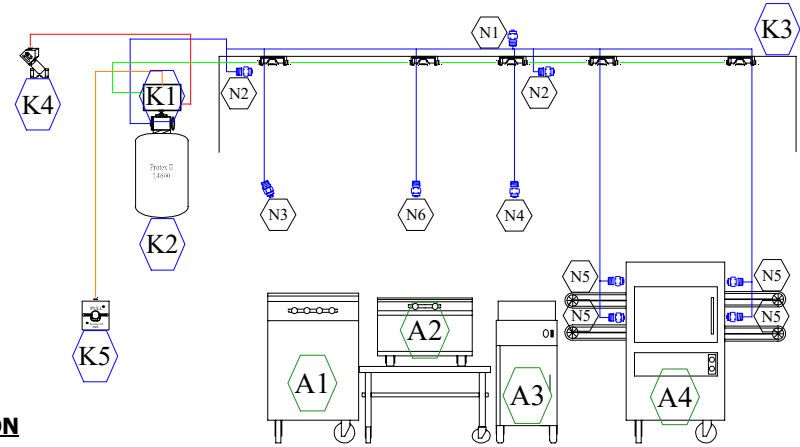
**K4** USED MECHANICAL GAS VALVE LOCATED BELOW THE CEILING

**K5** USED REMOTE MANUAL PULL STATION LOCATED 48" A.F.F. ON PATH OF EGRESS OR EXIT

<b>ANSUL MANUAL #:</b>	418087-12	<b>NOTES:</b>	
<b>DRAWING #:</b>	1 OF 1		
<b>SCALE:</b>	NTS	<b>DATE:</b>	
<b>DRAWN BY:</b>	JCA		4/3/2024

**PROJECT NAME & ADDRESS:**  
Papa's Subs and Pizza

117 West Cornelius Harnett Boulevard  
Lillington, NC 27546



## I.D. APPLIANCE DESCRIPTION

### 2D: EXHAUST DUCT PROTECTION - UP TO 100"

NOZZLE ID: 2D FLOW POINTS: 2  
NOZZLE HEIGHT: 0" TO 6"  
LOCATION: CENTER LINE OF AREA - AIM INTO OPENING  
COVERAGE: 100" PERIMETER WITH 37 3/8" MAX DIAGONAL ROUND DUCT MAXIMUM 31 7/8" DIAMETER

### 1H: PLENUM PROTECTION

NOZZLE ID: 1H FLOW POINTS: 1  
NOZZLE HEIGHT: 1/3 WAY DOWN VERTICAL  
LOCATION: 2" FROM BACK EDGE OF FILTER WITHIN 6" OF END OF PLENUM  
COVERAGE: LENGTH 10' X-0" WIDTH 4'-0"

### 1H: SMALL GRIDDLE PROTECTION

NOZZLE ID: 1H FLOW POINTS: 1  
NOZZLE HEIGHT: 24" TO 48"  
LOCATION: ABOVE ANY CORNER - AIM 12" IN AND 12" FROM THE CORNER BELOW NOZZLE  
COVERAGE: MAXIMUM AREA 1080 SQ. IN., LONGEST SIDE 36"

### 2H: FRYER WITH DRIPBOARD: 18" FRYPOT

NOZZLE ID: 2H FLOW POINTS: 2  
NOZZLE HEIGHT: 24" TO 48"  
LOCATION: ANYWHERE ALONG PERIMETER AIMED CENTER  
COVERAGE: 18" LONGEST SIDE 324 SQ IN FRYPOT 27 3/4" LONGEST SIDE 500 SQ. IN OVERALL

### 1L: UPRIGHT / SALAMANDER BROILER PROTECTION

NOZZLE ID: 1L FLOW POINTS: 1  
NOZZLE HEIGHT: 13" TO 24"  
LOCATION: ABOVE GRATE, FRONT EDGE AIM BACK OPPOSITE CORNER  
COVERAGE: MAXIMUM AREA: 1064SQ. IN., LONGEST SIDE 36"

### 1H: GAS RADIANT CHAR BROILER PROTECTION 26"

NOZZLE ID: 1L FLOW POINTS: 1  
NOZZLE HEIGHT: 24" TO 48"  
LOCATION: ANYWHERE ON THE PERIMETER AIMED CENTER  
COVERAGE: MAXIMUM AREA: 624 SQ. IN., LONGEST SIDE 26"

## I.D. APPLIANCE DESCRIPTION

- A1** GRIDDLE 36" X 22"
- A2** CHARBROILER 14" X 20"
- A3** FRYER 15" X 25"
- A4** 2 TIER CHAINBROILER

**FIRE PROTECTION**  
1048 Bragg Blvd, Fayetteville, NC 28301  
Phone: 910-486-6270