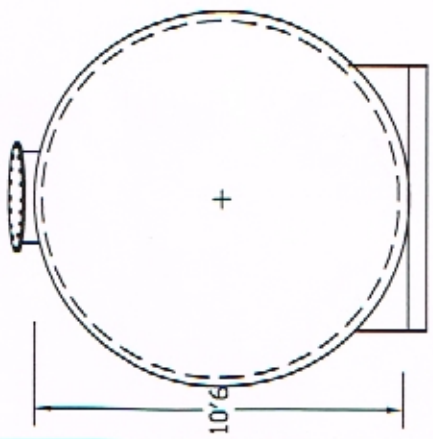
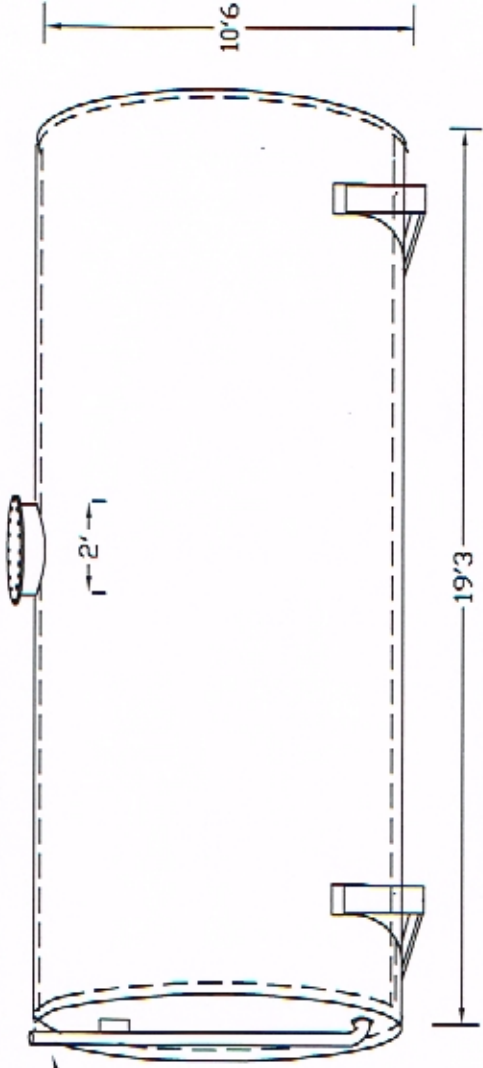
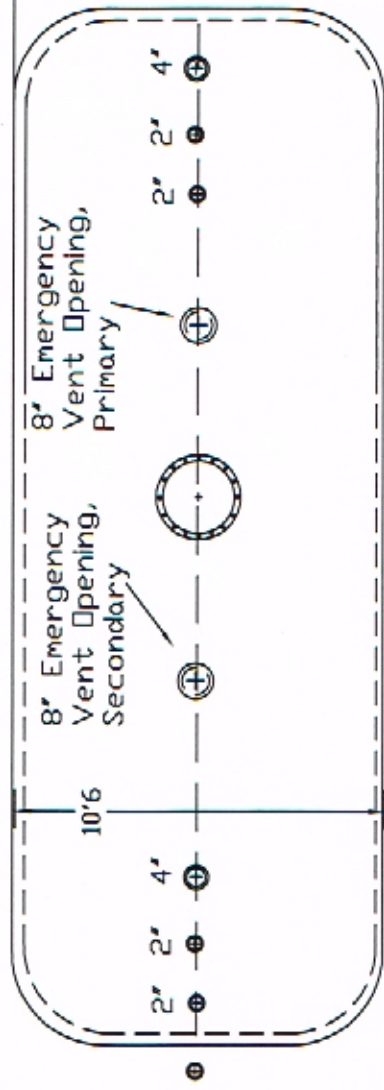


Tank Information

ZONE	REV	DESCRIPTION	DATE	APPROVED
			Aug. 2018	

FINAL APPROVED DRAWING  
 BY: \_\_\_\_\_  
 DATE: \_\_\_\_\_



**PDT**  
**Pee Dee Tank**  
 1333 North Douglas St  
 Florence, SC 29501  
 Telephone (843) 669-3381  
 Fax (843) 654-9118

12000SADW		UL142	DWG NO.	REV
12000 Gallon Double Wall Saddle Tank, 10ft 6 Dia w/24" Manway, Standard Openings		Listed		
SCALE	Lane	SHEET		

FNAMF

REVDATF

USER