

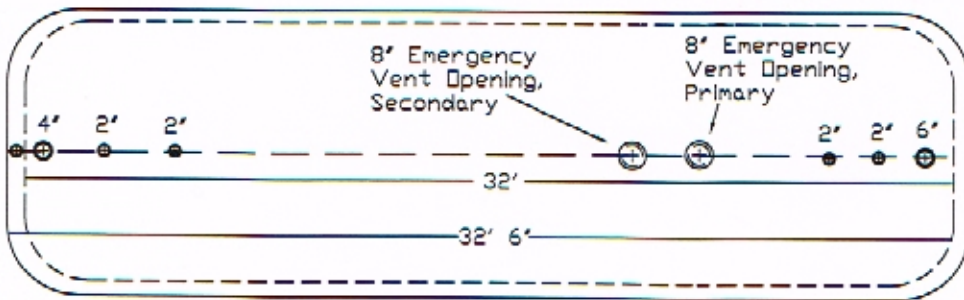
FNAME

REVDATE

USER

Tank Information				
ZONE	REV	DESCRIPTION	DATE	APPROVED

Mar 2019



3' Space Between Inside and Outside Tank Filled with Mixture of Concrete and Perlite to UL2085 Specifications

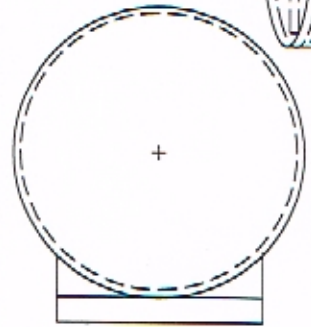
FINAL APPROVED DRAWING
BY: _____
DATE: _____

Tank Weight Approx. 32,370 lbs



8'-6"

SADDLES PLACED AT 18" FROM END OF TANK



Overall height of the tank with the 8" Saddles will be 110"

	12000 FireGuard		
	12000 Gallon Double Wall Saddle Tank, 8ft Diameter, White Urethane Coating Standard Openings UL2085 FireGuard Tank		
1333 North Douglas St Florence, SC 29501	DWG NO.	REV	
Telephone (843) 669-3381 Fax (843) 664-9118	SCALE	Lane	SHEET