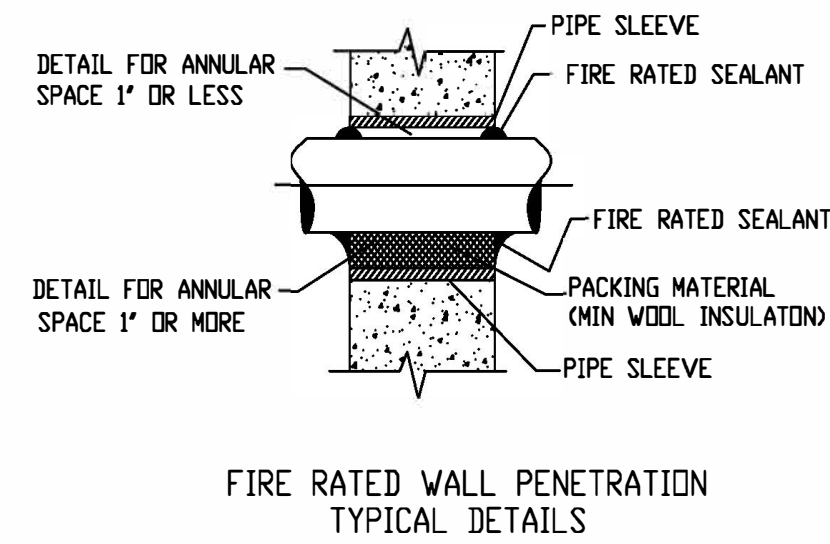
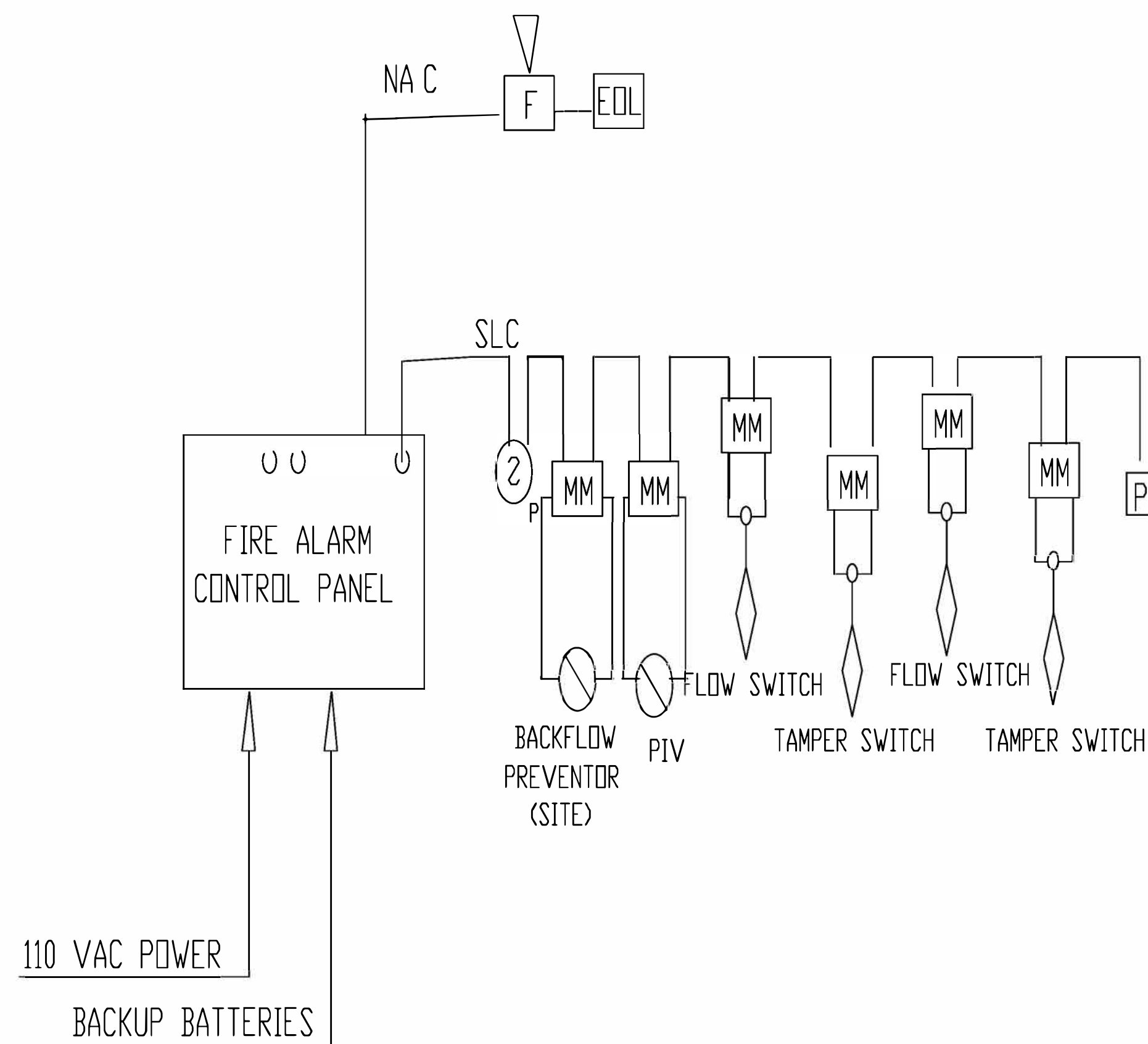


FIELD DEVICE (NON-SLEEPING)
TYPICAL MOUNTING DETAIL
ELEVATION VIEW
SCALE: NONE



FIRE RATED WALL PENETRATION
TYPICAL DETAILS



FIRE ALARM SYSTEM OPERATING SEQUENCE MATRIX		SYSTEM OUTPUTS													
MANUAL PULL STATIONS	X	X		X											
WATER FLOW SWITCH	X	X		X											
ELEVATOR LOBBY SMOKE DETECTORS	X	X	X	X											
AREA SMOKE DETECTORS	X	X		X											
HEAT DETECTOR	X	X		X											
VALVE TAMPER SWITCH	X								X						X
LOW AIR PRESSURE SUPERVISORY SWITCH	X									X					X
SINGLE ROOM SMOKE DET W/SOUNDER BASE	X			X					X						X
MULTIPLE ROOM SMOKE DET W/SOUNDER BASE	X	X	X	X											X

SYSTEM INPUTS

- FIRE ALARM LEGEND**
- [P] PULL STATION
 - [H] HORN
 - [H/A] HORN/STROBE ASSEMBLY
 - [H/A/△] STROBE
 - [H/A/△/○] HORN/STROBE-CEILING MOUNTED
 - [H/A/△/○/□] STROBE-CEILING MOUNTED
 - [S] SIREN
 - [H] HEAT DETECTOR
 - [C] SMOKE DETECTOR
 - [C/□] DUCT SMOKE DETECTOR
 - [C/□/○] SMOKE DETECTOR W/ SOUNDER BASE
 - [H/C] COMBINATION HEAT/SMOKE DETECTOR
 - [FACP] FIRE ALARM CONTROL PANEL
 - [ANN] ANNUNCIATOR PANEL
 - [RPS] REMOTE POWER SUPPLY
 - [EXP PANEL] EXPANDER PANEL
 - [MM] MONITOR MODULE
 - [CM] CONTROL MODULE
 - [RM] RELAY MODULE
 - [IM] ISOLATION MODULE
 - [EOL] END OF LINE RESISTOR
 - [EOL-R] END OF LINE RELAY
 - [◇] FLOW SWITCH
 - [○] PRESSURE SWITCH
 - [○/◇] TAMPER SWITCH
 - [◇/○] ROTATING BEACON
 - [△] FLAME DETECTOR
 - [A] ABORT SWITCH
 - [○/◇] MAGNETIC DOOR HOLDER
- SUBSCRIPTS**
- XP EXPLOSION PROOF
 - WP WEATHER PROOF
 - (XX) CANDELA RATING
 - A AMBER
 - B BLUE
 - R RED
 - W WALL MOUNTED

- GENERAL NOTES:**
1. SLC LOOP TO BE STYLE 4
 2. NAC LOOP TO BE STYLE Y
 3. REFER TO DETAIL FOR MOUNTING HEIGHT OF FIELD DEVICES



INTRAM COMPANY
Icard, North Carolina

Lillington Storage

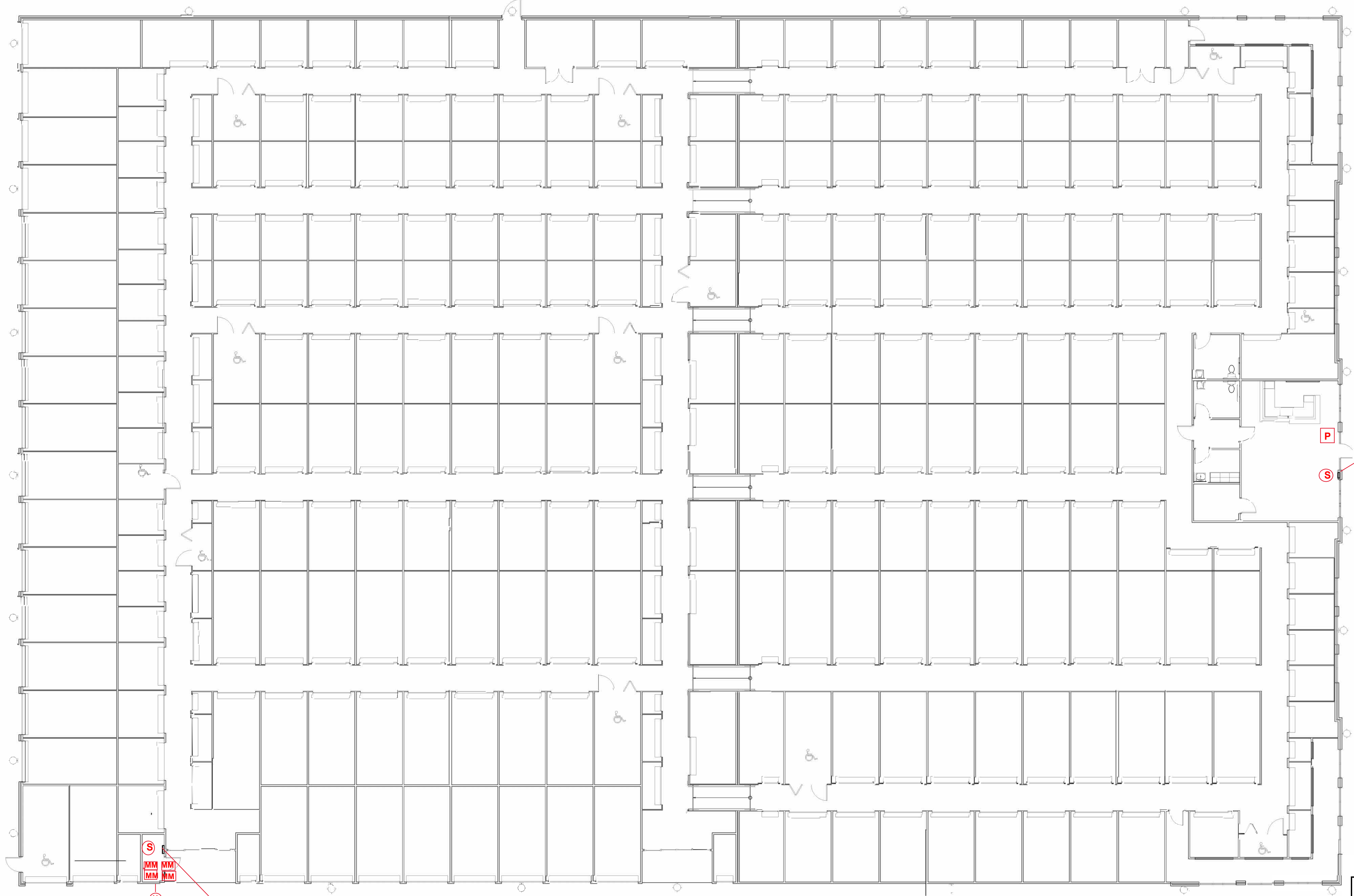
1781 N. Main Street, Lillington, NC 27546

FIRE ALARM SYSTEM

RISER DIAGRAM

Date: 11/07/23	Scale:	DRAWING No.	REV.
DESIGNER: LRS	Reviewed By: Lewis Bibb	F-100	A

Reviewed for Fire Code Compliance
Harnett & HUNT
Leslie Jackson
12/20/2023 10:06:05 AM



FIRE ALARM ANNUNCIATOR

FIRE ALARM CONTROL PANEL



INTRAM COMPANY Icard, North Carolina			
Lillington Storage 1781 N. Main Street, Lillington, NC 27548			
FIRE ALARM SYSTEM			
Date: 11/07/23	Scale:	DRAWING NO.	REV.
DESIGNER: LRS	Reviewed By: Lewis Biss	F-101	A