

Lillington Sports Zone - 320 East Cornelius Harnett Boulevard

GENERAL NOTES:

INSTALLATION PER IFC-2018, NFPA 96, 17A, AND UL 300 STANDARDS AND PER MANUFACTURERS' INSTRUCTIONS/RECOMMENDATIONS
DESIGN BASED ON SECTION IV OF PYROCHEM INSTALLATION MANUAL

ALL PIPE AND FITTINGS ARE 3/8" SCHEDULE 40 BLACK IRON & CHROME PIPING CONFIGURATIONS & LIMITATIONS ARE TOO LENGTHY TO LIST
PIPING SHALL BE INSTALLED IN ACCORDANCE WITH THE MANUFACTURER'S REQUIREMENTS SEE CHAPTER 4 - DISTRIBUTION PIPING REQUIREMENTS

ACTUATION & EXPellent HOSES, PIPING OR TUBING SHALL BE INSTALLED IN ACCORDANCE WITH CHAPTER 5: "INSTALLING THE ACTUATION & EXPellent GAS LINES"

DETECTION LINE LIMITATIONS SHALL BE INSTALLED IN ACCORDANCE WITH PYROCHEM TECHNICAL MANUAL CHAPTER 4 - SYSTEM DESIGN
SCISSOR STYLE DETECTORS SHALL BE USED WITHOUT OFF-SET CONDUIT.
MAXIMUM # OF DETECTORS IS 15. MAXIMUM NUMBER OF CORNER PULLEYS IS 20 WITH A MAXIMUM OF 150' OF 1/2" EMT
FUSIBLE LINK INSTALLATION SHALL CONFORM TO MANUFACTURER'S INSTRUCTIONS
APPLIANCES WITH A CONTINUOUS COOKING SURFACE UP TO 48" X 48" SHALL BE PROTECTED WITH A SINGLE DETECTOR
APPLIANCES EXCEEDING 48" X 48" SHALL BE PROTECTED BY MULTIPLE DETECTORS

REMOTE MANUAL PULL STATION(S) SHALL BE INSTALLED ON A PATH OF EGRESS OR EXIT AND IN ACCORDANCE WITH PYROCHEM TECHNICAL MANUAL CHAPTER 4 - SYSTEM DESIGN
MAXIMUM NUMBER OF 20 CORNER PULLEYS, 150 FEET OF 1/2" EMT AND (1) TEE PULLEY

MECHANICAL GAS VALVE CONNECTIONS SHALL BE MADE IN ACCORDANCE WITH CODE REQUIREMENTS & CHAPTER 4 - SYSTEM DESIGN OF THE PYROCHEM MANUAL
A MAXIMUM OF 20 CORNER PULLEYS, 150 FEET OF 1/2" EMT AND (1) TEE PULLEY

ELECTRIC GAS VALVES SHALL BE CONNECTED USING A RESET RELAY
RESET RELAY & ELECTRICAL PORTION OF VALVE INSTALLATION SHALL BE BY A QUALIFIED ELECTRICIAN
CONFORMANCE WITH NFPA #70 IS THE RESPONSIBILITY OF THE INSTALLING CONTRACTOR NOT FIRE PROTECTION

CONNECTION TO FIRE ALARM CONTROL PANEL TO BE MADE BY OTHERS WHEN APPLICABLE
ELECTRICAL DISCONNECTS TO BE PERFORMED BY QUALIFIED ELECTRICIAN, WHEN APPLICABLE
GAS VALVE TO BE INSTALLED BY A QUALIFIED PLUMBER WHEN APPLICABLE
CONFORMANCE TO APPLICABLE NFPA CODES FOR ALARM, ELECTRICAL & PLUMBING WORK IS THE RESPONSIBILITY OF THE INSTALLING CONTRACTOR & IS NOT THE RESPONSIBILITY OF FIRE PROTECTION

CONDITION AND ACCEPTABILITY OF THE EXHAUST HOOD & DUCT IS THE RESPONSIBILITY OF THE OWNER/OPERATOR

APPLIANCES SHOWN ON PLANS ARE REPRESENTATIONAL ONLY - ACTUAL APPLIANCES MAY APPEAR DIFFERENT THAN SHOWN ON PLANS

GENERAL SEQUENCE OF OPERATION - NOT PROJECT SPECIFIC

UPON ACTIVATION OF A FUSIBLE LINK OR REMOTE MANUAL PULL STATION A PYROCHEM WET CHEMICAL FIRE SYSTEM MAY RESULT IN THE FOLLOWING SEQUENCE OF OPERATION:

WET CHEMICAL SHALL DISCHARGE ONTO PROTECTED APPLIANCES & INTO DUCT & PLENUM AREAS OF HOOD SIMULTANEOUSLY, IF CONNECTED, A FIRE ALARM SYSTEM SHALL BE ACTIVATED OR A HORN/STROBE SHALL ACTIVATE (PRECISE OPERATIONS OF FIRE ALARM SYSTEM / CONTROL PANEL ARE NOT THE RESPONSIBILITY OF THE SUPPRESSION SYSTEM CONTRACTOR AND ARE NOT LISTED ON THESE PLANS)
SIMULTANEOUSLY, ALL GAS APPLIANCES LOCATED UNDER THE HOOD SHALL SHUTDOWN VIA MECHANICAL OR ELECTRICAL GAS VALVE

SIMULTANEOUSLY, ALL ELECTRICAL EQUIPMENT, PROTECTED OR UNPROTECTED, UNDER THE HOOD SHALL SHUTDOWN SIMULTANEOUSLY, HOOD LIGHTS, AS PERMITTED BY CODE MAY REMAIN ON OR MAY SHUTDOWN SIMULTANEOUSLY, INTERNAL MAKE-UP AIR SHALL SHUTDOWN SIMULTANEOUSLY, EXTERNAL MAKE-UP AIR MAY REMAIN ON OR MAY SHUTDOWN SIMULTANEOUSLY, EXHAUST FAN MAY OR MAY NOT CONTINUE TO OPERATE (IF THE EXHAUST FAN IS OFF AT THE TIME OF DISCHARGE, THE FAN MAY OR MAY NOT TURN ON)

I.D. DESCRIPTION

K1 USED PYROCHEM CONTROL HEAD
CONTAINS (1) CARTRIDGE,
(1) SET OF MICROSWITCHES

K2 CYLINDER #1 - (1) PCL600 6 GALLON TANK 20 FLOW POINTS AVAIL. 16 USED

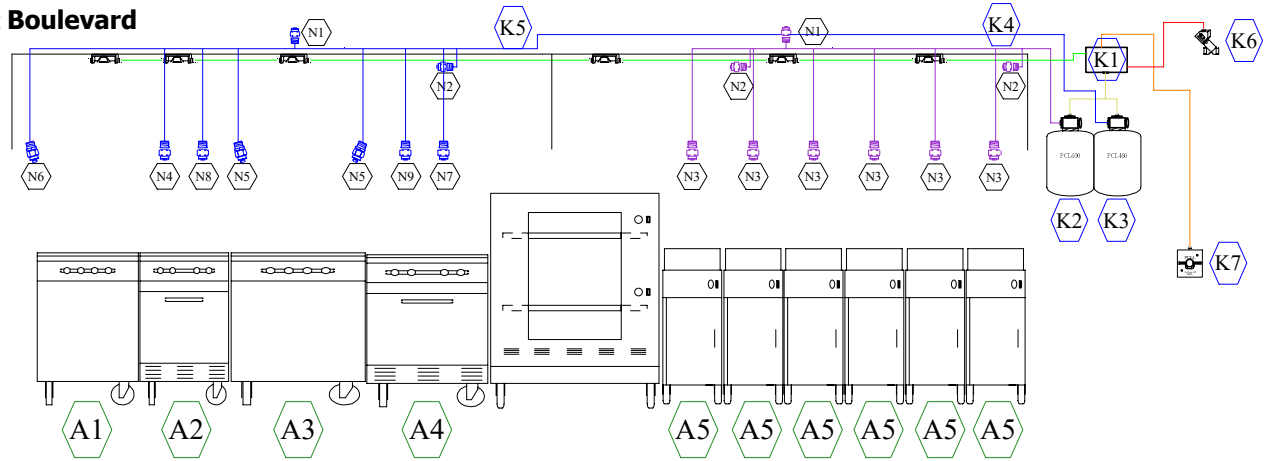
K3 CYLINDER #2 - (1) PCL460 4.6 GALLON TANK 15 FLOW POINTS AVAIL. 14 USED

K4 HOOD #1: USED TYPE I EXHAUST HOOD: 13'-0" X 78"
W/ A SINGLE BANK OF BAFFLED FILTERS
CONTAINS (1) EXHAUST DUCTS: 26" X 11"

K5 HOOD #2: USED TYPE I EXHAUST HOOD: 13'-0" X 78"
W/ A SINGLE BANK OF BAFFLED FILTERS
CONTAINS (1) EXHAUST DUCTS: 26" X 11"

K6 USED MECHANICAL GAS VALVE LOCATED ABOVE THE CEILING

K7 USED REMOTE MANUAL PULL STATION
LOCATED 48" A.F.F. ON PATH OF EGRESS OR EXIT



Reviewed for Fire Code Compliance
Leslie Jackson
 10/19/2023 2:24:31 PM

I.D. APPLIANCE DESCRIPTION

A1 Griddle 24" x 24"

A2 6 Burner Range 36" x 24"

A3 Griddle 48" x 24"

A4 Charbroiler 48" x 24"

A5 Fryer 15" x 25"

I.D. NOZZLE DESCRIPTION

2D: EXHAUST DUCT PROTECTION - UP TO 100"
N1 NOZZLE ID: 2D FLOW POINTS: 2
 NOZZLE HEIGHT: 0" TO 6"
 LOCATION: CENTER LINE OF AREA - AIM INTO OPENING
 COVERAGE: 100" PERIMETER WITH 37 3/8" MAX DIAGONAL
 ROUND DUCT MAXIMUM 31 7/8" DIAMETER

1H: PLENUM PROTECTION
N2 NOZZLE ID: 1H FLOW POINTS: 1
 NOZZLE HEIGHT: 1/3 WAY DOWN VERTICAL
 LOCATION: 2" FROM BACK EDGE OF FILTER
 WITHIN 6" OF END OF PLENUM
 COVERAGE: LENGTH 10' X-0" WIDTH 4'-0"

2H: FRYER WITH DRIPBOARD: 18" FRYPOT
N3 NOZZLE ID: 2H FLOW POINTS: 2
 NOZZLE HEIGHT: 24" TO 48"
 LOCATION: ANYWHERE ALONG PERIMETER AIMED CENTER
 COVERAGE: 18" LONGEST SIDE 324 SQ IN FRYPOT
 27 3/4" LONGEST SIDE 500 SQ. IN OVERALL

1H: CHARBOILER PROTECTION
N7 NOZZLE ID: 1H FLOW POINTS: 1
 NOZZLE HEIGHT: 24" TO 48"
 LOCATION: ANYWHERE WITHIN THE PERIMETER AIMED CENTER
 COVERAGE: MAXIMUM AREA: 624 SQ. IN., LONGEST SIDE 26"

2H: GAS RADIANT CHAR BROILER PROTECTION 26"
N9 NOZZLE ID: 2H FLOW POINTS: 2
 NOZZLE HEIGHT: 36" TO 48"
 LOCATION: ANY CORNER AIM CENTER
 COVERAGE: MAXIMUM AREA: 864 SQ. IN., LONGEST SIDE 36"

2L: SMALL RANGE PROTECTION
N4 NOZZLE ID: 2L FLOW POINTS: 2
 NOZZLE HEIGHT: 24" TO 45"
 LOCATION: CENTERLINE AIMED AS PER CHART PAGE 3-5
 COVERAGE: MAXIMUM AREA: 784 SQ. IN., LONGEST SIDE 28"

2H: LARGE GRIDDLE PROTECTION
N5 NOZZLE ID: 2H FLOW POINTS: 2
 NOZZLE HEIGHT: 24" TO 48"
 LOCATION: 0" - 6" FROM SHORT SIDE AIM CENTER
 COVERAGE: MAXIMUM AREA 24" X 48"

1H: SMALL GRIDDLE PROTECTION
N6 NOZZLE ID: 1H FLOW POINTS: 1
 NOZZLE HEIGHT: 24" TO 48"
 LOCATION: 0" - 6" FROM SHORT SIDE AIM CENTER
 COVERAGE: MAXIMUM AREA 24" X 48"

1H: SMALL RANGE PROTECTION
N8 NOZZLE ID: 1H FLOW POINTS: 1
 NOZZLE HEIGHT: 40" TO 50"
 LOCATION: CENTERLINE AIMED AS PER CHART PAGE 3
 COVERAGE: MAXIMUM AREA: 336 SQ. IN., LONGEST SIDE 28"

PROJECT NAME & ADDRESS:
Lillington Sports Zone

320 East Cornelius Harnett Boulevard
Lillington, NC 27546

ANSUL MANUAL #:	418087-12	NOTES:	
DRAWING #:	1 OF 1		
SCALE:	NTS	DATE:	10-03-2023
DRAWN BY:	TNW		

FIRE PROTECTION
 1048 Bragg Blvd, Fayetteville, NC 28301
 Phone: 910-486-6270