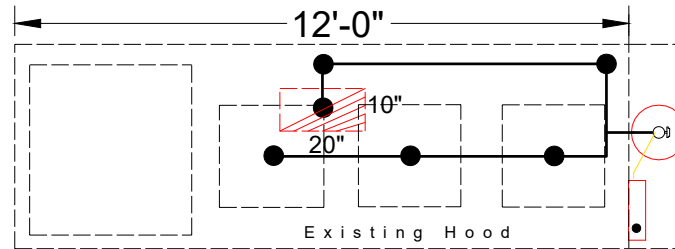
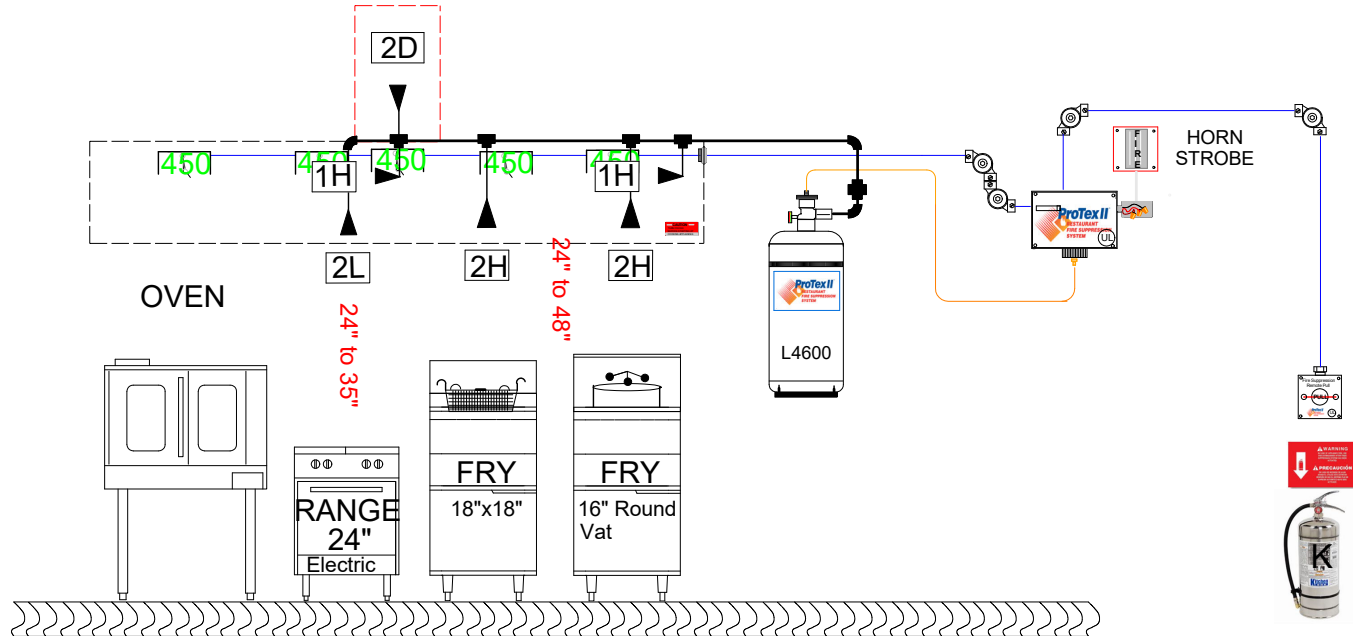


UPDATING THE EXISTING FIRE SUPPRESSION SYSTEM TO UL300 THE HOOD AND COOKING EQUIPMENT ARE EXISTING. THE COOKING EQUIPMENT IS TOTAL ELECTRIC. LOCAL HORN/STROBE



Piping Color	Max Flow Points	Flow Points In Use
Tank	15	10



Controls, pipe routings, remote pull station and gas valve locations are for reference only, locations may change.

- (1) ALL GAS AND ELECTRICAL APPLIANCES UNDER HOOD SHUT DOWN BY OTHERS.
- (2) EXHAUST FAN CONTINUES TO RUN ON DISCHARGE OF FIRE SYSTEM BY OTHERS.
- (3) FRESH AIR FAN SHUTS DOWN ON DISCHARGE OF FIRE SYSTEM BY OTHERS.
- (4) FIRE ALARM SYSTEM ACTIVATES IF BUILDING IS EQUIPPED WITH A FIRE ALARM BY OTHERS.
- (5) HOOD LIGHTS TURN OFF IF REQUIRED BY AHJ BY OTHERS.
- (6) REMOTE PULL STATION LOCATED 10' TO 20' FROM HOOD & 48" FROM FINISHED FLOOR
- (7) HVAC SYSTEM SHUTS DOWN WHEN FIRE SYSTEM IS ACTIVATED, IF REQUIRED BY AHJ BY OTHERS.
- (8) CLASS "K" FIRE EXTINGUISHER LOCATED NOT MORE THAN 30' FROM HOOD

919-894-8495

Parrish Fire & Safety, Inc

DRAWN: RKW Scale: N/A

Carlie C's
711 West Front Street
Lillington, NC 27546

SHEET NO. FP1 of 1 DATE: 01-11-2023 REV -

PARRISH
FIRE AND SAFETY, INC
FIRE EXTINGUISHER SALES & SERVICE
919-894-8495
Emergency Lighting • Hydrotesting • Suppression Systems • Training