

Anderson Creek Clubhouse - 216 Anderson Creek Dr

GENERAL NOTES:

INSTALLATION PER IFC-2018, NFPA 96, 17A, AND UL 300 STANDARDS
AND PER MANUFACTURERS' INSTRUCTIONS/RECOMMENDATIONS
DESIGN BASED ON SECTION IV OF PROTEXII INSTALLATION MANUAL

ALL PIPE AND FITTINGS ARE 3/8" SCHEDULE 40 BLACK IRON & CHROME
PIPING CONFIGURATIONS & LIMITATIONS ARE TOO LENGTHY TO LIST
PIPING SHALL BE INSTALLED IN ACCORDANCE WITH THE MANUFACTURER'S
REQUIREMENTS SEE CHAPTER 4 - DISTRIBUTION PIPING REQUIREMENTS

ACTUATION & EXPELLENT HOSES, PIPING OR TUBING SHALL BE INSTALLED IN
ACCORDANCE WITH CHAPTER 5:"INSTALLING THE ACTUATION & EXPELLANT GAS LINES"

DETECTION LINE LIMITATIONS SHALL BE INSTALLED IN ACCORDANCE WITH
PROTEXII TECHNICAL MANUAL CHAPTER 4 - SYSTEM DESIGN
SCISSOR STYLE DETECTORS SHALL BE USED WITHOUT OFF-SET CONDUIT.
MAXIMUM # OF DETECTORS IS 15. MAXIMUM NUMBER OF CORNER PULLEYS IS 20
WITH A MAXIMUM OF 150' OF 1/2" EMT
FUSIBLE LINK INSTALLATION SHALL CONFORM TO MANUFACTURER'S INSTRUCTIONS
APPLIANCES WITH A CONTINUOUS COOKING SURFACE UP TO 48" X 48" SHALL BE
PROTECTED WITH A SINGLE DETECTOR
APPLIANCES EXCEEDING 48" X 48" SHALL BE PROTECTED BY MULTIPLE DETECTORS

REMOTE MANUAL PULL STATION(S) SHALL BE INSTALLED ON A PATH OF EGRESS OR EXIT
AND IN ACCORDANCE WITH PROTEXII TECHNICAL MANUAL CHAPTER 4 - SYSTEM DESIGN
MAXIMUM NUMBER OF 20 CORNER PULLEYS, 150 FEET OF 1/2" EMT AND (1) TEE PULLEY

MECHANICAL GAS VALVE CONNECTIONS SHALL BE MADE IN ACCORDANCE WITH
CODE REQUIREMENTS & CHAPTER 4 - SYSTEM DESIGN OF THE PROTEXII MANUAL
A MAXIMUM OF 20 CORNER PULLEYS, 150 FEET OF 1/2" EMT AND (1) TEE PULLEY

ELECTRIC GAS VALVES SHALL BE CONNECTED USING A RESET RELAY
RESET RELAY & ELECTRICAL PORTION OF VALVE INSTALLATION SHALL
BE BY A QUALIFIED ELECTRICIAN
CONFORMANCE WITH NFPA #70 IS THE RESPONSIBILITY OF THE
INSTALLING CONTRACTOR NOT FIRE PROTECTION

CONNECTION TO FIRE ALARM CONTROL PANEL TO BE MADE BY OTHERS WHEN APPLICABLE
ELECTRICAL DISCONNECTS TO BE PERFORMED BY QUALIFIED ELECTRICIAN, WHEN APPLICABLE
GAS VALVE TO BE INSTALLED BY A QUALIFIED PLUMBER WHEN APPLICABLE
CONFORMANCE TO APPLICABLE NFPA CODES FOR ALARM, ELECTRICAL & PLUMBING WORK
IS THE RESPONSIBILITY OF THE INSTALLING CONTRACTOR & IS NOT THE RESPONSIBILITY OF FIRE PROTECTION

CONDITION AND ACCEPTABILITY OF THE EXHAUST HOOD & DUCT IS THE RESPONSIBILITY
OF THE OWNER/OPERATOR

APPLIANCES SHOWN ON PLANS ARE REPRESENTATIONAL ONLY - ACTUAL APPLIANCES
MAY APPEAR DIFFERENT THAN SHOWN ON PLANS

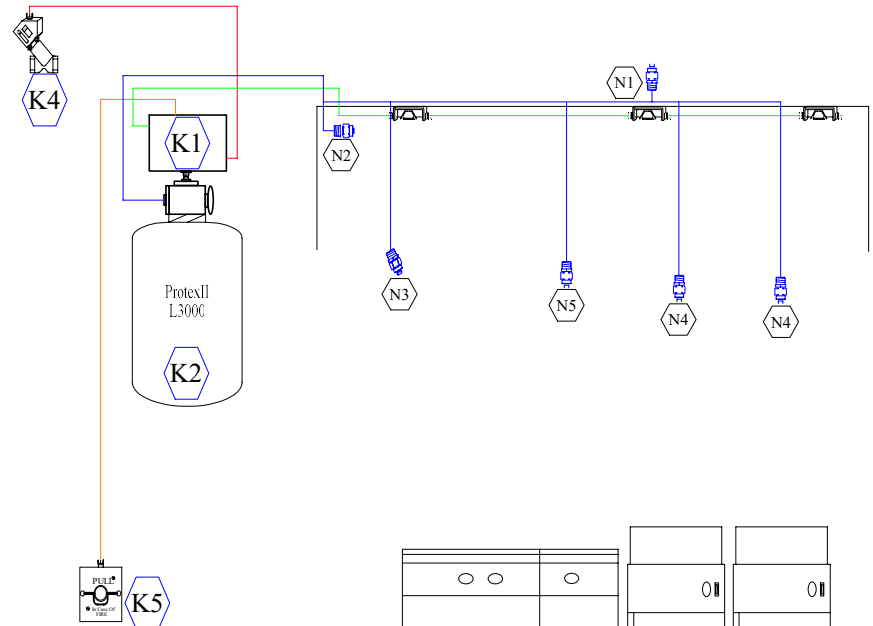
GENERAL SEQUENCE OF OPERATION - NOT PROJECT SPECIFIC

UPON ACTIVATION OF A FUSIBLE LINK OR REMOTE MANUAL PULL STATION A PROTEXII
WET CHEMICAL FIRE SYSTEM MAY RESULT IN THE FOLLOWING SEQUENCE OF OPERATION:

WET CHEMICAL SHALL DISCHARGE ONTO PROTECTED APPLIANCES & INTO DUCT & PLENUM AREAS OF HOOD
SIMULTANEOUSLY, IF CONNECTED, A FIRE ALARM SYSTEM SHALL BE ACTIVATED OR A HORN/STROBE SHALL ACTIVATE
(PRECISE OPERATIONS OF FIRE ALARM SYSTEM / CONTROL PANEL ARE NOT THE RESPONSIBILITY OF THE
SUPPRESSION SYSTEM CONTRACTOR AND ARE NOT LISTED ON THESE PLANS)
SIMULTANEOUSLY, ALL GAS APPLIANCES LOCATED UNDER THE HOOD SHALL SHUTDOWN VIA MECHANICAL OR
ELECTRICAL GAS VALVE
SIMULTANEOUSLY, ALL ELECTRICAL EQUIPMENT, PROTECTED OR UNPROTECTED, UNDER THE HOOD SHALL SHUTDOWN
SIMULTANEOUSLY, HOOD LIGHTS, AS PERMITTED BY CODE MAY REMAIN ON OR MAY SHUTDOWN
SIMULTANEOUSLY, INTERNAL MAKE-UP AIR SHALL SHUTDOWN
SIMULTANEOUSLY, EXTERNAL MAKE-UP AIR MAY REMAIN ON OR MAY SHUTDOWN
SIMULTANEOUSLY, EXHAUST FAN MAY OR MAY NOT CONTINUE TO OPERATE
(IF THE EXHAUST FAN IS OFF AT THE TIME OF DISCHARGE, THE FAN MAY OR MAY NOT TURN ON)

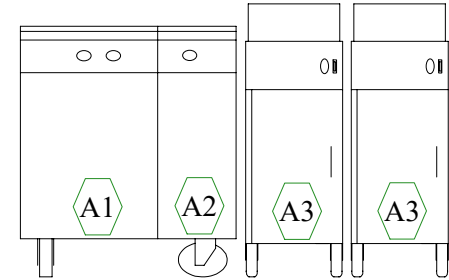
I.D. DESCRIPTION

- K1** USED PROTEXII CONTROL HEAD
CONTAINS (1) CARTRIDGE,
(1) SET OF MICROSWITCHES
- K2** CYLINDER #1 - (1) L3000 3 GALLON TANK 10 FLOW POINTS AVAIL. 10 USED
- K3** HOOD #1: USED TYPE I EXHAUST HOOD: 8'-0" X 78"
W/ A SINGLE BANK OF BAFFLED FILTERS
CONTAINS (1) EXHAUST DUCTS: 12" X 12"
- K4** USED MECHANICAL GAS VALVE LOCATED ABOVE THE CEILING
- K5** USED REMOTE MANUAL PULL STATION
LOCATED 48" A.F.F. ON PATH OF EGRESS OR EXIT



I.D. NOZZLE DESCRIPTION

- N1** **2D: EXHAUST DUCT PROTECTION - UP TO 100"**
NOZZLE ID: 2D FLOW POINTS: 2
NOZZLE HEIGHT: 0" TO 6"
LOCATION: CENTER LINE OF AREA - AIM INTO OPENING
COVERAGE: 100" PERIMETER WITH 37 3/8" MAX DIAGONAL
ROUND DUCT MAXIMUM 31 7/8" DIAMETER
- N2** **1H: PLENUM PROTECTION**
NOZZLE ID: 1H FLOW POINTS: 1
NOZZLE HEIGHT: 1/3 WAY DOWN VERTICAL
LOCATION: 2" FROM BACK EDGE OF FILTER
WITHIN 6" OF END OF PLENUM
COVERAGE: LENGTH 10' X-0" WIDTH 4'-0"
- N3** **1H: SMALL GRIDDLE PROTECTION**
NOZZLE ID: 1H FLOW POINTS: 1
NOZZLE HEIGHT: 24" TO 48"
LOCATION: 0" - 6" FROM SHORT SIDE AIM CENTER
COVERAGE: MAXIMUM AREA 1080 SQ. IN., LONGEST SIDE 36"
- N4** **2H: FRYER WITH DRIPBOARD**
NOZZLE ID: 2H FLOW POINTS: 2
NOZZLE HEIGHT: 24" TO 48"
LOCATION: ANYWHERE ALONG PERIMETER AIMED CENTER
COVERAGE: 19.5" LONGEST SIDE 371SQ IN FRYPOT
25 3/8" LONGEST SIDE 495 SQ. IN OVERALL
- N5** **2L: SMALL RANGE PROTECTION**
NOZZLE ID: 2L FLOW POINTS: 2
NOZZLE HEIGHT: 24" TO 35"
LOCATION: FRONT EDGE - AIM 10" FORWARD FROM BACK
OF BURNER ON FRONT REAR CENTERLINE
COVERAGE: MAXIMUM AREA: 336 SQ. IN., LONGEST SIDE 28"



I.D. APPLIANCE DESCRIPTION

- A1** GRIDDLE 24" X 24"
- A2** 2 BURNER RANGE 12" X 24"
- A3** FRYER 14.5" X 24"

PROTEXII MANUAL #: 418087-12		NOTES:	PROJECT NAME & ADDRESS: Anderson Creek Clubhouse 216 Anderson Creek Dr Spring Lake, NC 28390	FIRE PROTECTION 1048 Bragg Blvd, Fayetteville, NC 28301 Phone: 910-486-6270	
DRAWING #:	1 OF 1				
SCALE:	NTS	DATE:			9/15/22
DRAWN BY:	JCA				