

# Anderson Creek Clubhouse - 216 Anderson Creek Dr

## GENERAL NOTES:

INSTALLATION PER IFC-2018, NFPA 96, 17A, AND UL 300 STANDARDS  
AND PER MANUFACTURERS' INSTRUCTIONS/RECOMMENDATIONS  
DESIGN BASED ON SECTION IV OF PROTEXII INSTALLATION MANUAL

ALL PIPE AND FITTINGS ARE 3/8" SCHEDULE 40 BLACK IRON & CHROME  
PIPING CONFIGURATIONS & LIMITATIONS ARE TOO LENGTHY TO LIST  
PIPING SHALL BE INSTALLED IN ACCORDANCE WITH THE MANUFACTURER'S  
REQUIREMENTS SEE CHAPTER 4 - DISTRIBUTION PIPING REQUIREMENTS

ACTUATION & EXPELLENT HOSES, PIPING OR TUBING SHALL BE INSTALLED IN  
ACCORDANCE WITH CHAPTER 5:"INSTALLING THE ACTUATION & EXPELLANT GAS LINES"

DETECTION LINE LIMITATIONS SHALL BE INSTALLED IN ACCORDANCE WITH  
PROTEXII TECHNICAL MANUAL CHAPTER 4 - SYSTEM DESIGN  
SCISSOR STYLE DETECTORS SHALL BE USED WITHOUT OFF-SET CONDUIT.  
MAXIMUM # OF DETECTORS IS 15. MAXIMUM NUMBER OF CORNER PULLEYS IS 20  
WITH A MAXIMUM OF 150' OF 1/2" EMT  
FUSIBLE LINK INSTALLATION SHALL CONFORM TO MANUFACTURER'S INSTRUCTIONS  
APPLIANCES WITH A CONTINUOUS COOKING SURFACE UP TO 48" X 48" SHALL BE  
PROTECTED WITH A SINGLE DETECTOR  
APPLIANCES EXCEEDING 48" X 48" SHALL BE PROTECTED BY MULTIPLE DETECTORS

REMOTE MANUAL PULL STATION(S) SHALL BE INSTALLED ON A PATH OF EGRESS OR EXIT  
AND IN ACCORDANCE WITH PROTEXII TECHNICAL MANUAL CHAPTER 4 - SYSTEM DESIGN  
MAXIMUM NUMBER OF 20 CORNER PULLEYS, 150 FEET OF 1/2" EMT AND (1) TEE PULLEY

MECHANICAL GAS VALVE CONNECTIONS SHALL BE MADE IN ACCORDANCE WITH  
CODE REQUIREMENTS & CHAPTER 4 - SYSTEM DESIGN OF THE PROTEXII MANUAL  
A MAXIMUM OF 20 CORNER PULLEYS, 150 FEET OF 1/2" EMT AND (1) TEE PULLEY

ELECTRIC GAS VALVES SHALL BE CONNECTED USING A RESET RELAY  
RESET RELAY & ELECTRICAL PORTION OF VALVE INSTALLATION SHALL  
BE BY A QUALIFIED ELECTRICIAN  
CONFORMANCE WITH NFPA #70 IS THE RESPONSIBILITY OF THE  
INSTALLING CONTRACTOR NOT FIRE PROTECTION

CONNECTION TO FIRE ALARM CONTROL PANEL TO BE MADE BY OTHERS WHEN APPLICABLE  
ELECTRICAL DISCONNECTS TO BE PERFORMED BY QUALIFIED ELECTRICIAN, WHEN APPLICABLE  
GAS VALVE TO BE INSTALLED BY A QUALIFIED PLUMBER WHEN APPLICABLE  
CONFORMANCE TO APPLICABLE NFPA CODES FOR ALARM, ELECTRICAL & PLUMBING WORK  
IS THE RESPONSIBILITY OF THE INSTALLING CONTRACTOR & IS NOT THE RESPONSIBILITY OF FIRE PROTECTION

CONDITION AND ACCEPTABILITY OF THE EXHAUST HOOD & DUCT IS THE RESPONSIBILITY  
OF THE OWNER/OPERATOR

APPLIANCES SHOWN ON PLANS ARE REPRESENTATIONAL ONLY - ACTUAL APPLIANCES  
MAY APPEAR DIFFERENT THAN SHOWN ON PLANS

## GENERAL SEQUENCE OF OPERATION - NOT PROJECT SPECIFIC

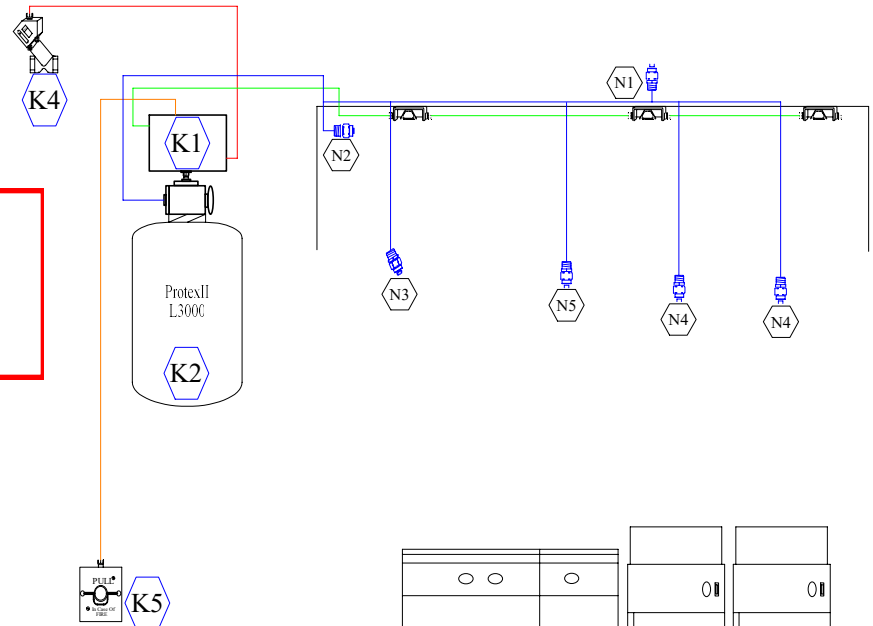
UPON ACTIVATION OF A FUSIBLE LINK OR REMOTE MANUAL PULL STATION A PROTEXII  
WET CHEMICAL FIRE SYSTEM MAY RESULT IN THE FOLLOWING SEQUENCE OF OPERATION:

WET CHEMICAL SHALL DISCHARGE ONTO PROTECTED APPLIANCES & INTO DUCT & PLENUM AREAS OF HOOD  
SIMULTANEOUSLY, IF CONNECTED, A FIRE ALARM SYSTEM SHALL BE ACTIVATED OR A HORN/STROBE SHALL ACTIVATE  
(PRECISE OPERATIONS OF FIRE ALARM SYSTEM / CONTROL PANEL ARE NOT THE RESPONSIBILITY OF THE  
SUPPRESSION SYSTEM CONTRACTOR AND ARE NOT LISTED ON THESE PLANS)  
SIMULTANEOUSLY, ALL GAS APPLIANCES LOCATED UNDER THE HOOD SHALL SHUTDOWN VIA MECHANICAL OR  
ELECTRICAL GAS VALVE  
SIMULTANEOUSLY, ALL ELECTRICAL EQUIPMENT, PROTECTED OR UNPROTECTED, UNDER THE HOOD SHALL SHUTDOWN  
SIMULTANEOUSLY, HOOD LIGHTS, AS PERMITTED BY CODE MAY REMAIN ON OR MAY SHUTDOWN  
SIMULTANEOUSLY, INTERNAL MAKE-UP AIR SHALL SHUTDOWN  
SIMULTANEOUSLY, EXTERNAL MAKE-UP AIR MAY REMAIN ON OR MAY SHUTDOWN  
SIMULTANEOUSLY, EXHAUST FAN MAY OR MAY NOT CONTINUE TO OPERATE  
(IF THE EXHAUST FAN IS OFF AT THE TIME OF DISCHARGE, THE FAN MAY OR MAY NOT TURN ON)

## I.D. DESCRIPTION

- K1** USED PROTEXII CONTROL HEAD  
CONTAINS (1) CARTRIDGE,  
(1) SET OF MICROSWITCHES
- K2** CYLINDER #1 - (1) L3000 3 GALLON TANK 10 FLOW POINTS AVAIL. 10 USED
- K3** HOOD #1: USED TYPE I EXHAUST HOOD: 8'-0" X 78"  
W/ A SINGLE BANK OF BAFFLED FILTERS  
CONTAINS (1) EXHAUST DUCTS: 12" X 12"
- K4** USED MECHANICAL GAS VALVE LOCATED ABOVE THE CEILING
- K5** USED REMOTE MANUAL PULL STATION  
LOCATED 48" A.F.F. ON PATH OF EGRESS OR EXIT

Reviewed for Fire Code Compliance  
Leslie Jackson  
09/19/2022 12:53:21 PM



## I.D. NOZZLE DESCRIPTION

- 2D: EXHAUST DUCT PROTECTION - UP TO 100"**  
NOZZLE ID: 2D FLOW POINTS: 2  
NOZZLE HEIGHT: 0" TO 6"  
LOCATION: CENTER LINE OF AREA - AIM INTO OPENING  
COVERAGE: 100" PERIMETER WITH 37 3/8" MAX DIAGONAL  
ROUND DUCT MAXIMUM 31 7/8" DIAMETER
- 1H: PLENUM PROTECTION**  
NOZZLE ID: 1H FLOW POINTS: 1  
NOZZLE HEIGHT: 1/3 WAY DOWN VERTICAL  
LOCATION: 2" FROM BACK EDGE OF FILTER  
WITHIN 6" OF END OF PLENUM  
COVERAGE: LENGTH 10' X-0" WIDTH 4'-0"
- 1H: SMALL GRIDDLE PROTECTION**  
NOZZLE ID: 1H FLOW POINTS: 1  
NOZZLE HEIGHT: 24" TO 48"  
LOCATION: 0" - 6" FROM SHORT SIDE AIM CENTER  
COVERAGE: MAXIMUM AREA 1080 SQ. IN., LONGEST SIDE 36"
- 2H: FRYER WITH DRIPBOARD**  
NOZZLE ID: 2H FLOW POINTS: 2  
NOZZLE HEIGHT: 24" TO 48"  
LOCATION: ANYWHERE ALONG PERIMETER AIMED CENTER  
COVERAGE: 19.5" LONGEST SIDE 371SQ IN FRYPOT  
25 3/8" LONGEST SIDE 495 SQ. IN OVERALL
- 2L: SMALL RANGE PROTECTION**  
NOZZLE ID: 2L FLOW POINTS: 2  
NOZZLE HEIGHT: 24" TO 35"  
LOCATION: FRONT EDGE - AIM 10" FORWARD FROM BACK  
OF BURNER ON FRONT REAR CENTERLINE  
COVERAGE: MAXIMUM AREA: 336 SQ. IN., LONGEST SIDE 28"

## I.D. APPLIANCE DESCRIPTION

- A1** GRIDDLE 24" X 24"
- A2** 2 BURNER RANGE 12" X 24"
- A3** FRYER 14.5" X 24"

<b>PROJECT NAME &amp; ADDRESS:</b> Anderson Creek Clubhouse			<b>FIRE PROTECTION</b> 1048 Bragg Blvd, Fayetteville, NC 28301 Phone: 910-486-6270
<b>PROTEXII MANUAL #:</b> 418087-12	<b>NOTES:</b>	216 Anderson Creek Dr Spring Lake, NC 28390	
<b>DRAWING #:</b> 1 OF 1			
<b>SCALE:</b> NTS	<b>DATE:</b>		
<b>DRAWN BY:</b> JCA	9/15/22		