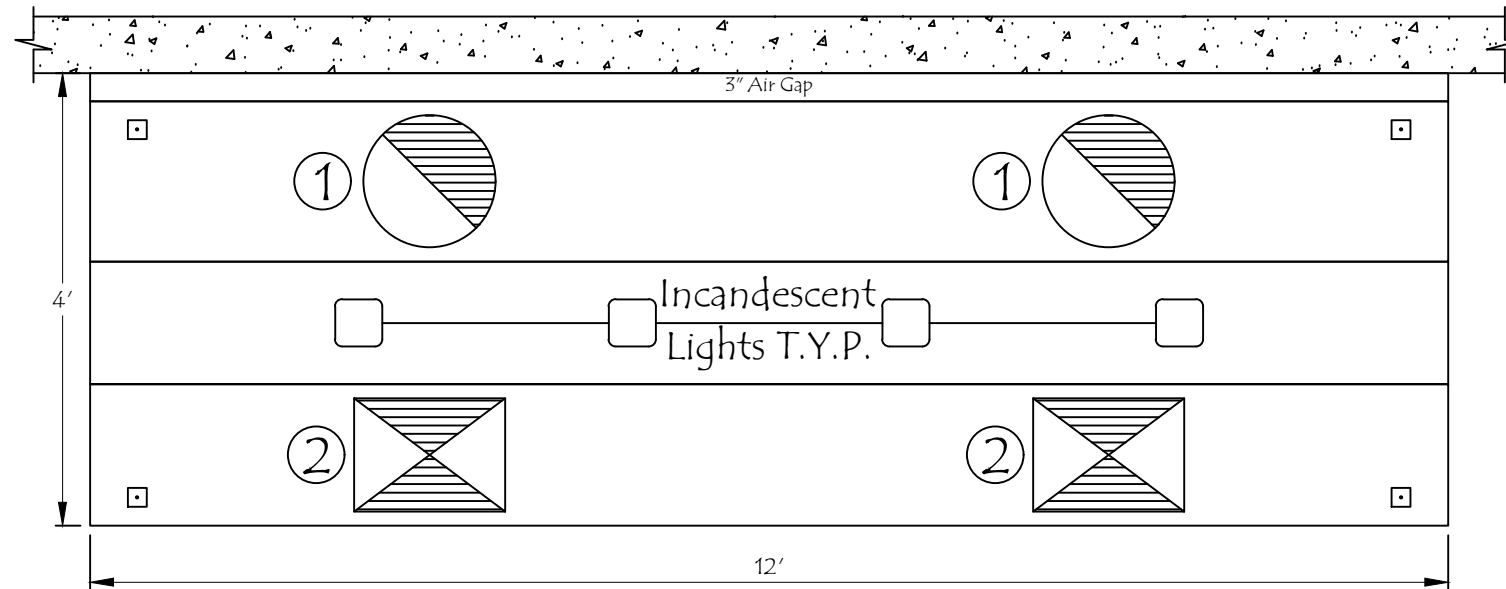




172 REASER COURT PHONE: 440-365-1399 TOLL FREE PH: 800-715-1014 WWW.HOODMART.COM  
 ELYRIA, OHIO 44035 FAX: 440-365-2100 TOLL FREE FAX: 800-716-1214 SALES@HOODMART.COM



PLAN VIEW  
 SCALE:  $\frac{3}{8}'' = 1' - 0''$

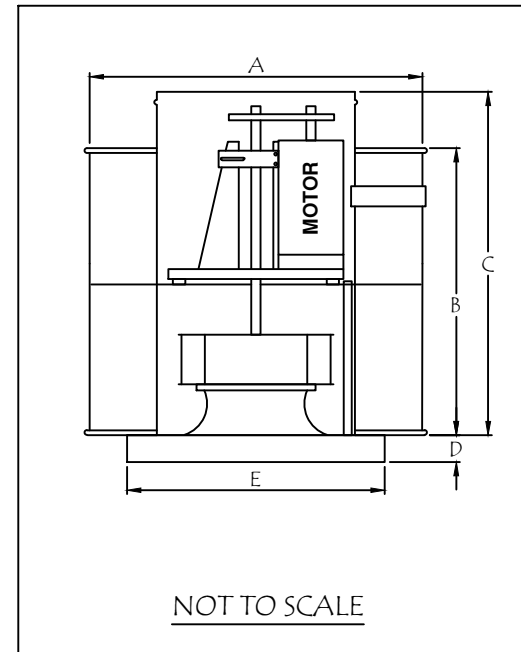
HOOD NO.	MODEL	LENGTH	MAX. COOKING TEMP.	① EXHAUST PLENUM					② SUPPLY PLENUM					HOOD CONSTRUCTION	
				TOTAL EXH. CFM	RISER(S)				TOTAL SUP. CFM	RISER(S)					
DIA.	QTY.	CFM	S.P.		WIDTH	LENG.	QTY..	CFM		S.P.					
1	MVA	144" NOM 144" OD	700 Deg.	3000	14"	2	1500	0.5"	2400	12"	16"	2	1200	0.25"	STAINLESS/ALUMINIZED

DUCT OPENING ARE RECOMMENDED SIZES  
 OPENINGS TO BE PUT IN FIELD





172 REASER COURT    PHONE: 440-365-1399    TOLL FREE PH: 800-715-1014    WWW.HOODMART.COM  
 ELYRIA, OHIO 44035    FAX: 440-365-2100    TOLL FREE FAX: 800-716-1214    SALES@HOODMART.COM



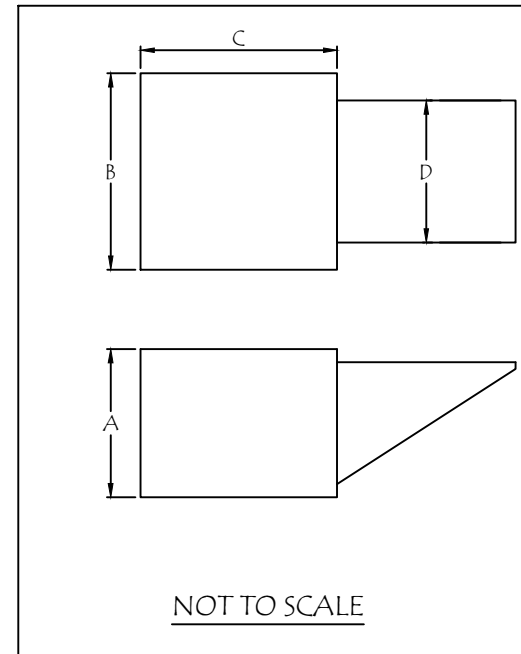
FAN MODEL	A	B	C	D	E	WT. LBS.
36B	38"	22½"	25⅞"	2"	28" SQ.	165 LBS.

FAN UNIT NO.	FAN UNIT MODEL#	① EXHAUST FAN								
		MODEL	TAG	CFM	S.P.	RPM	H.P.	Ø	VOLTS	FLA
1	36B EF-1	36B	EF-1	3000	0.5"	1346	1	1	115/230	13/6.5





172 REASER COURT PHONE: 440-365-1399 TOLL FREE PH: 800-715-1014 WWW.HOODMART.COM  
 ELYRIA, OHIO 44035 FAX: 440-365-2100 TOLL FREE FAX: 800-716-1214 SALES@HOODMART.COM



NOT TO SCALE

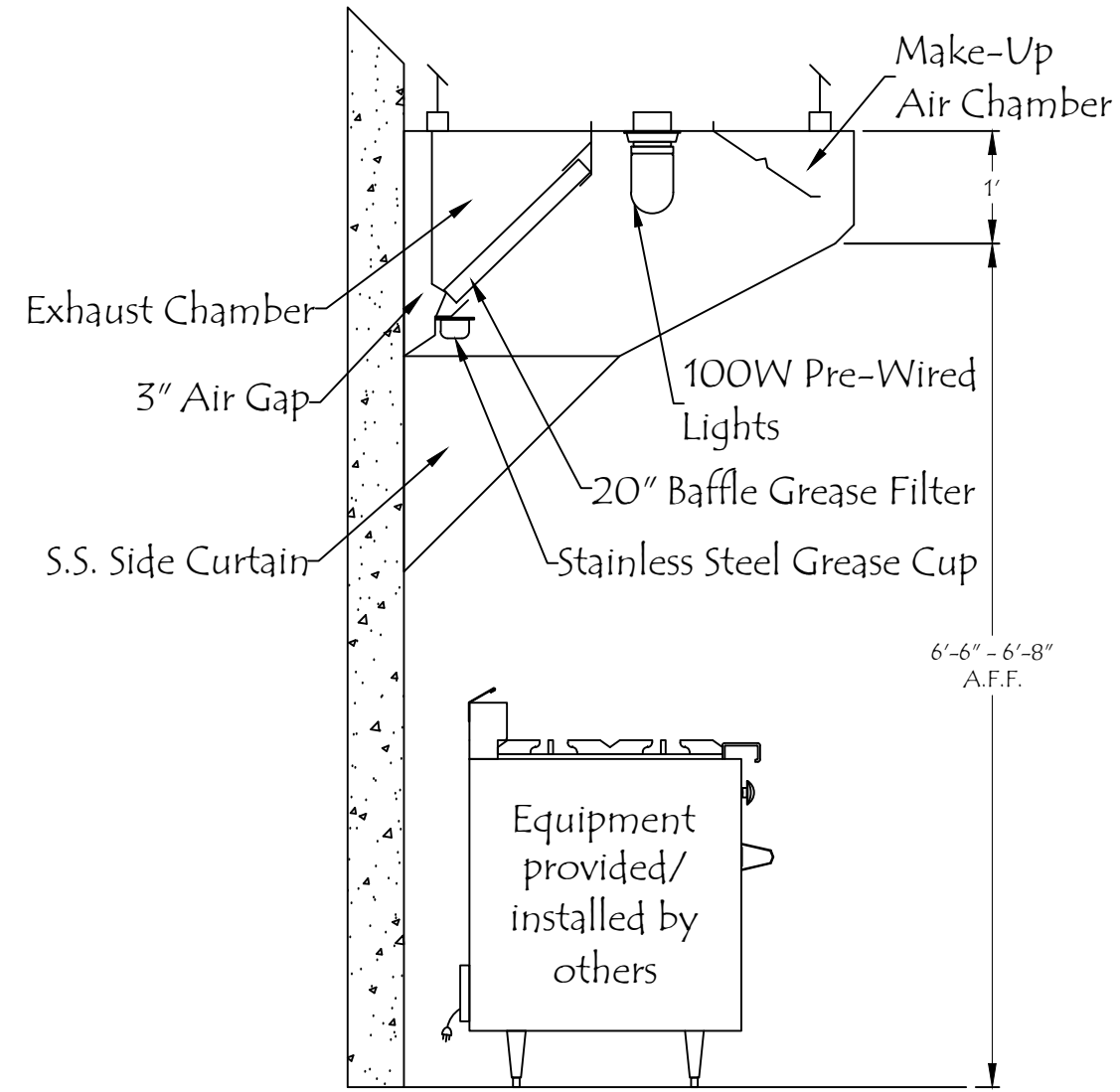
FAN MODEL	A	B	C	D	WT. LBS.
SF8	32"	32"	32"	25"	161 LBS.

FAN UNIT NO.	FAN UNIT MODEL#	② SUPPLY FAN								
		MODEL	TAG	CFM	S.P.	RPM	H.P.	Ø	VOLTS	FLA
1	SF8 SF-1	SF8	SF-1	2400	0.25"	578	1	1	115/230	-





172 REASER COURT    PHONE: 440-365-1399    TOLL FREE PH: 800-715-1014    WWW.HOODMART.COM  
ELYRIA, OHIO 44035    FAX: 440-365-2100    TOLL FREE FAX: 800-716-1214    SALES@HOODMART.COM



SIDE VIEW  
SCALE: 3/8" = 1' - 0"

