

LEGEND

- EXISTING FIRE PROTECTION PIPING
- NEW FIRE PROTECTION PIPING
- ⊙ DENOTES NEW PENDENT SPRINKLER
- DENOTES RISE IN PIPE
- DENOTES EXISTING UPRIGHT SPRINKLER TO REMAIN
- DENOTES UPRIGHT SPRINKLER
- ▲ DENOTES EXISTING RISER
- DENOTES NEW PENDENT SPRINKLER W/ DEEP ESCO
- DENOTES NEW 1 1/2" X 1" THRD MECH TEE

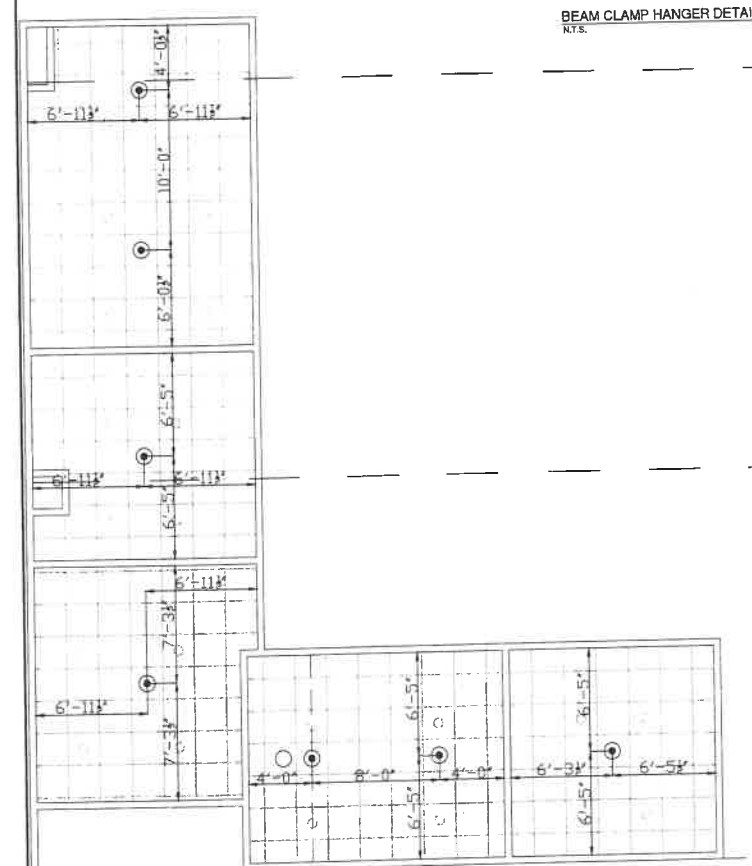
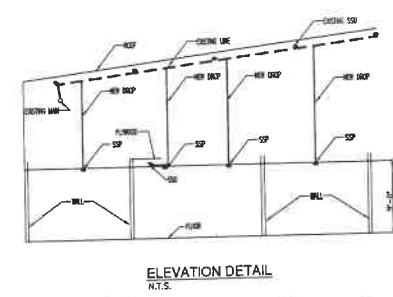
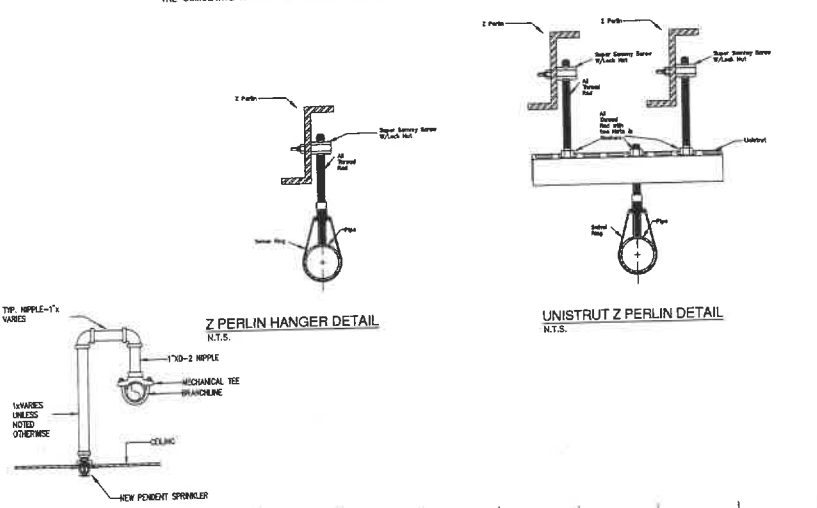
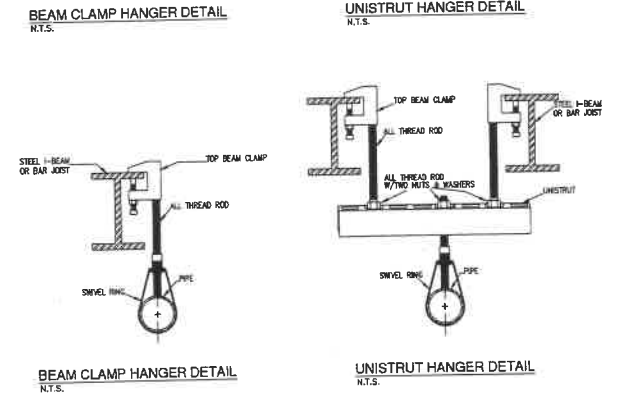
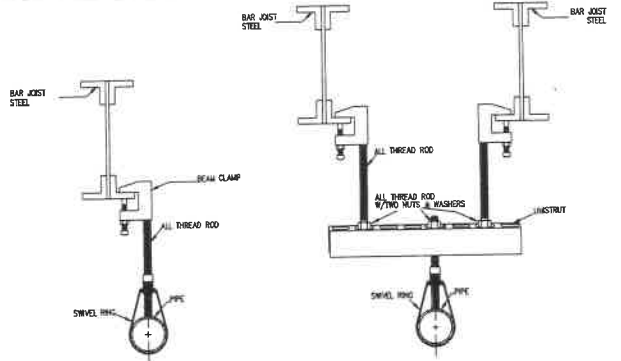
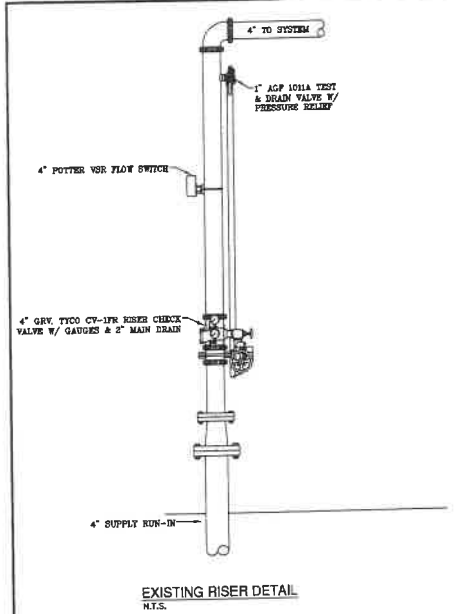
GENERAL NOTES

1. ALL WORK SHALL BE IN FULL COMPLIANCE WITH NFPA 13, 2013 Ed., AND THE NORTH CAROLINA STATE BUILDING CODE.
2. ALL LABOR AND MATERIALS REQUIRED SHALL BE FOR ONE COMPLETE WORKING SYSTEM WHICH MEETS ALL REQUIREMENTS OF NFPA 13 2013 Ed., AND THE NORTH CAROLINA STATE BUILDING CODE.
3. ALL MATERIALS AND EQUIPMENT SHALL BE NEW, UL LISTED APPROVED FOR THE INTENDED USE AND SHALL BE INSTALLED IN FULL COMPLIANCE WITH MANUFACTURER'S RECOMMENDATIONS.
4. SPRINKLER HEADS ARE SPACED PER LIGHT HAZARD SPRINKLER SPACING NOT TO EXCEED 225 SQ. FT.
5. ALL NEW 1" PIPE TO BE BLACK STL., SCH. 40 WITH THREADED ENDS AND JOINED BY BLK. DUCTILE IRON THREADED FITTINGS.
6. PIPE HANGERS TO BE INSTALLED PER NFPA 13.
7. NO HYDRAULIC CALCULATIONS WERE PERFORMED. AREA OF WORK IS ABOVE AND BELOW PROTECTION. THE OFFICE AREA IS LESS DEMANDING THEN THE EXISTING OVERHEAD SYSTEM.

HANGER INSTALLATION REQUIREMENTS

NOMINAL PIPE SIZE	MAXIMUM DISTANCE BETWEEN HANGERS									
	3"	1"	1 1/2"	2"	2 1/2"	3"	4"	5"	6"	8"
BLAZEMASTER CPVC	5' 6"	6' 0"	6' 6"	7' 0"	8' 0"	9' 0"	10' 0"	N/A	N/A	N/A
THREADABLE LIGHTWALL	N/A	12' 0"	12' 0"	12' 0"	12' 0"	12' 0"	12' 0"	N/A	N/A	N/A
STEEL PIPE (10/40)	N/A	12' 0"	12' 0"	15' 0"	15' 0"	15' 0"	15' 0"	15' 0"	15' 0"	15' 0"

100 PSI STATIC PRESSURE ON SYSTEM REQUIRES UP-LIFT RESTRAINT WITHIN 12 INCHES HORIZONTALLY OF HEAD FOR ARM-OVERS AND END OF BRANCH LINE.
 THE UNSUPPORTED LENGTH BETWEEN THE END SPRINKLER AND THE LAST HANGER ON THE LINE SHALL NOT EXCEED 36" FOR 1" PIPE, 48" FOR 1 1/2" PIPE AND 60" FOR 2" PIPE OR LARGER.
 THE CUMULATIVE HORIZONTAL LENGTH OF AN UNSUPPORTED ARM-OVER TO A SPRINKLER, SPRINKLER DROP, OR SPRIG-UP SHALL NOT EXCEED 24"



FIRE PROTECTION CEILING PLAN
SCALE: 1/4"=1'-0"

FIRE PROTECTION PIPING PLAN
SCALE: 1/4"=1'-0"

IMPORTANT
Building areas subject to freezing conditions. It is the owner's responsibility to provide heat throughout the wet pipe sprinkler system area and in enclosures for dry pipe, deluge, and other types of valves controlling water supplies to sprinkler systems.

DATE	REVISIONS DESCRIPTION	BY

SYMBOL	SIZE	TRAMP	STYLE	MAKE	MODEL/TYPE	PACKAGE	ENCLOSURE	K-FACTOR	RESPONSE	QUANTITY
○	1 1/2"	100	UPRIGHT	TYCO	TYTYP/PT/UL31	CS	ENCLOSURE	6.8	QR	7
○	1 1/2"	100	PENDENT	TYCO	TYTYP/PT/UL31	CS	DEEP	6.8	QR	1

SPRINKLER SYMBOLS DESCRIPTION

DELETED BY: [Signature]

NC LICENSE NUMBER: 16330

Crossroads Fire Protection Inc
809 South Market Street
P.O. Box 926
Benson, NC 27504
(919) 207-3855

WAREHOUSE OFFICE
125 ALEXANDER DR.
LILLINGTON, NC

CONTRACTOR: HARNETT COUNTY SCHOOL

FIRE PROTECTION PLAN
PROJECT NO. [Blank]
CONTRACT NO. CC-9365
DESIGNED BY DOUGLAS JOHNSTON III
SCALE 1/4"=1'-0"
DATE 3/25/22
REVISED BY [Blank]
DATE [Blank]
DRAWN BY [Blank]