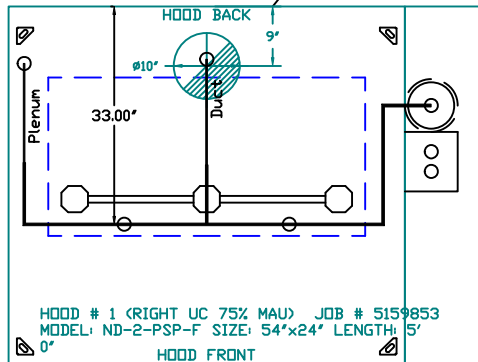


FIRE SYSTEM/INSTALLATION DETAILS



NOTES

- FIELD PIPE DROPS AS SHOWN
- SLEEVING, ELBOWS, TEES, AND NOZZLES SUPPLIED BY CAS.
- RELOCATE NOZZLES IF FLOW PATTERN IS BLOCKED BY SHELVING, SALAMANDERS, ETC.
- MAXIMUM 9 ELBOWS IN SUPPLY LINE.
- MINIMUM 72 INCHES OF AGENT LINE FROM TANK TO FIRST NOZZLE COVERING A RANGE, FRYER, OR WOK TO REFLECT GENERAL PIPING REQUIREMENTS.
- IF APPLICABLE, PRE-PIPED CHARBROILER DROPS ARE SHIPPED LOOSE.
- FACTORY PIPING EXTENDS A MAXIMUM OF 6' ABOVE THE TOP OF THE HOOD.
- APPLIANCE DIMENSIONS LISTED REPRESENT THE COOKING SURFACE SIZE, NOT THE OVERALL APPLIANCE SIZE.
- THIS FIRE SYSTEM COMPLIES WITH U.L. 300 REQUIREMENTS.

JOB #: 5159853.

JOB NAME: JERSEY MIKE'S SUBS - CAMERON, NC (24-87 HWY).

SYSTEM SIZE: ANSUL-3.0 TOTAL FP REQUIRED: 6.

HOOD # 1 5' 0.00" LONG x 54" WIDE x 24" HIGH.

RISER # 1 SIZE: 10" DIA.

HOOD # 1 METAL BLOW-OFF CAPS INCLUDED.

LEGEND - FIRE CABINET ANSUL SYSTEM

- 1A 1.5 GALLON TANK
- 1B 3 GALLON TANK
- 2 OEM AUTOMAN RELEASE
- 3 OEM REGULATED RELEASE
- 4 OEM REGULATED ACTUATOR
- 5 ANSULEX LIQUID AGENT (3 GAL.)
- 6 ANSULEX LIQUID AGENT (1.5 GAL.)
- 7 CARTRIDGE (101-20)
- 8 CARTRIDGE (101-10)
- 9 CARTRIDGE (101-30)
- 9A CARTRIDGE (LT-A-101-30)
- 9B DOUBLE TANK CARTRIDGE
- 10 TEST LINK
- 11 DOUBLE MICROSWITCH
- 12 HOSE ASSEMBLY
- 1100 DUCT NOZZLE (430913)
- 2W DUCT NOZZLE (419227)

1W NOZZLE ASSEMBLY (419336)

1N NOZZLE ASSEMBLY (419335)

17/2N NOZZLE ASSEMBLY (419334)

3N NOZZLE ASSEMBLY (419338)

245 NOZZLE ASSEMBLY (419340)

250 NOZZLE ASSEMBLY (419337)

2120 NOZZLE ASSEMBLY (419343)

290 NOZZLE ASSEMBLY (419342)

260 NOZZLE ASSEMBLY (419341)

28 DETECTOR BRACKET

29 LOW TEMP FUSIBLE LINK

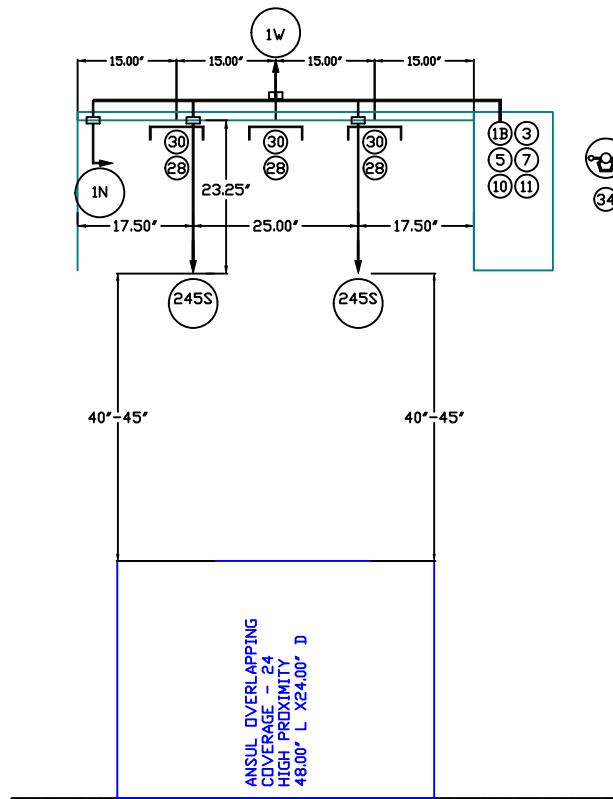
30 HIGH TEMP FUSIBLE LINK

MGV MECHANICAL GAS VALVE

EGV ELECTRICAL GAS VALVE

34 REMOTE MANUAL PULL STATION

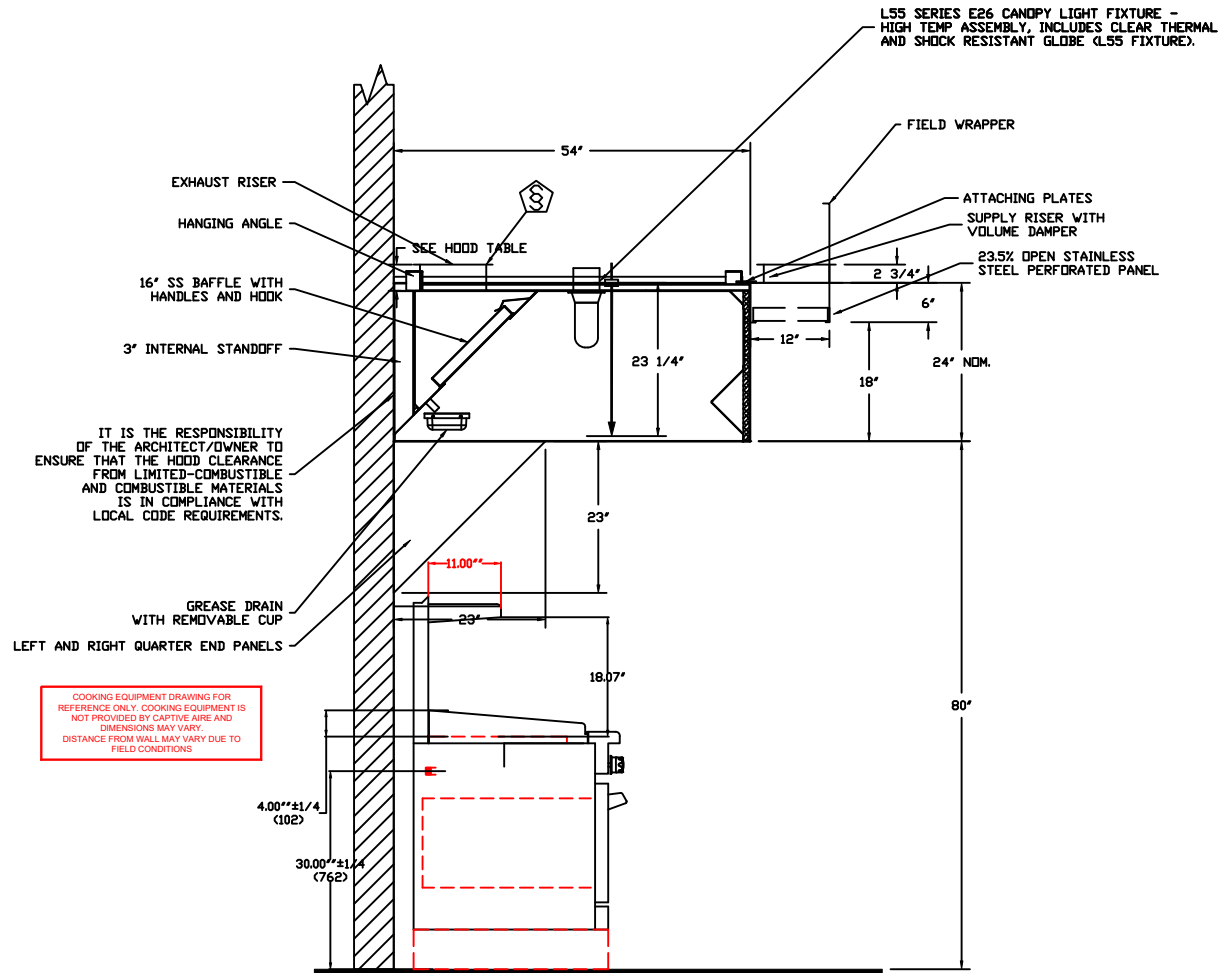
S SWIVEL ADAPTOR



CAPTIVE AIR

JOB JERSEY MIKE'S	
LOCATION CAMERON, NC	
DATE 6/6/19	JOB # 5159853
DWG # 3	DRAWN BY DF-32
REV.	SCALE Not To Scale

ANSUL APPLIANCE PROTECTION DETAILS



**SECTION VIEW - MODEL 5424ND-2-PSP-F
HOOD - #1**

**DUCT NOZZLE AND
PLENUM SPRAY BAR LOCATION**



CAPTIVE AIR

JOB JERSEY MIKE'S	
LOCATION CAMERON, NC	
DATE 6/6/19	JOB # 5159853
DWG # 4	DRAWN BY DF-32
REV.	SCALE Not To Scale