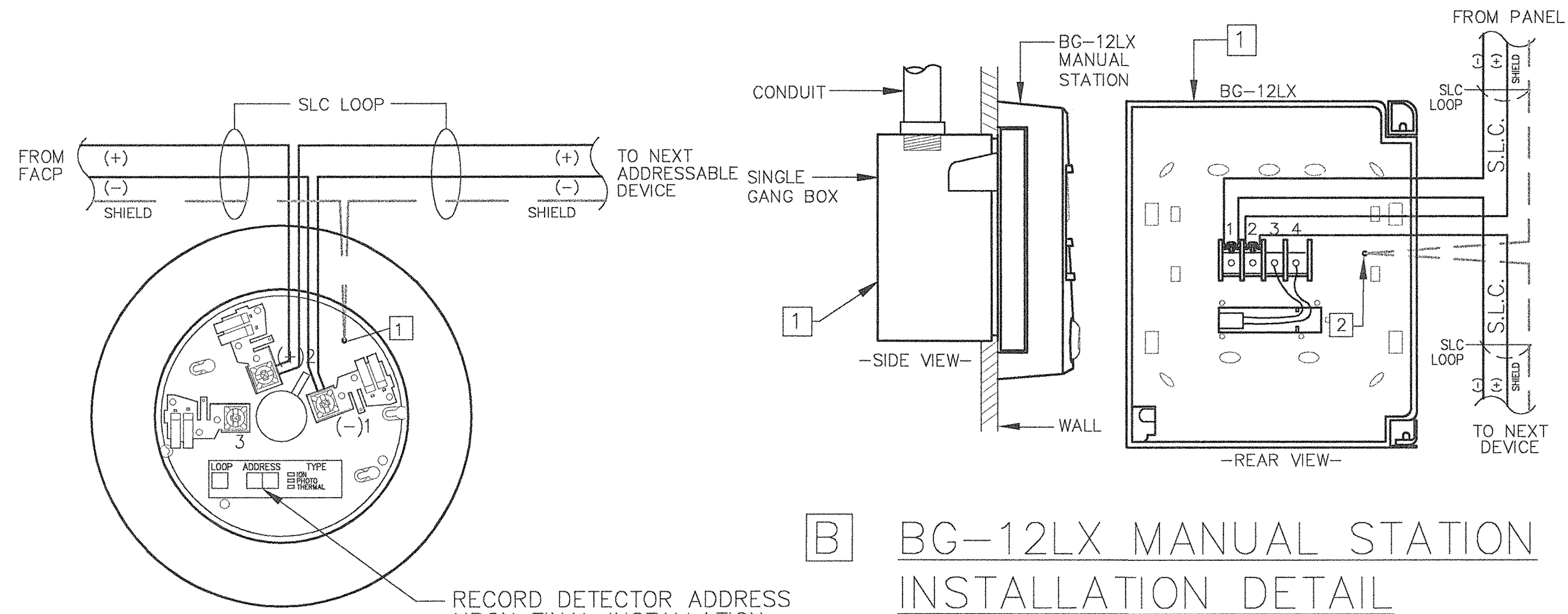


Prepared In Accordance  
with the  
Contract Documents

AS BUILTS	11/03/04
REV. #	DESCRIPTION DATE
- REVISIONS -	



**A** B350LP DETECTOR BASE WIRING

SHOWN ON DRAWINGS AS:

INSTALLATION NOTES:

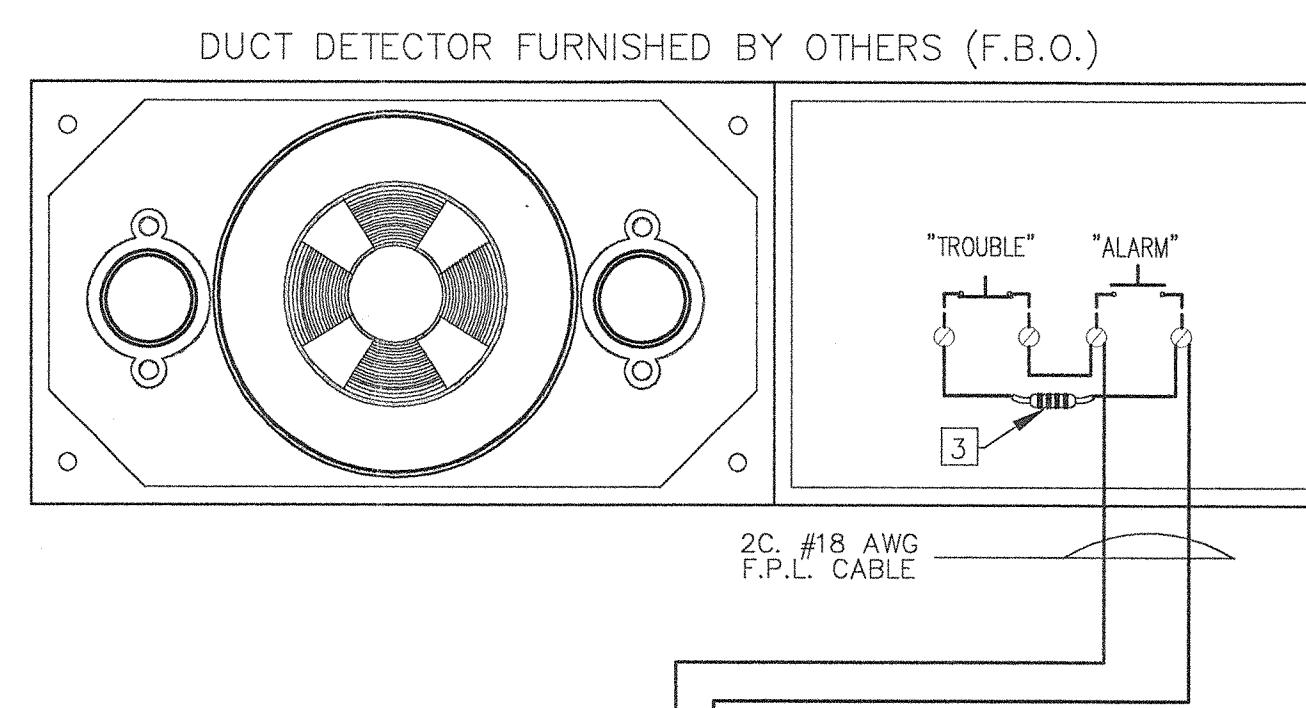
- 1 WHEN INSTALLING SHIELDED CABLE ISOLATE THE SHIELD FROM GROUND. THE SHIELD MUST BE CONTINUOUS THROUGHOUT THE CIRCUIT. DO NOT CONNECT THE SHIELD TO ANY TERMINALS.
- 2 INSTALL THE B350LP BASE ON A 4" OCTAGON BOX FOR RECESSED MOUNTING APPLICATIONS. AND A 4" SQUARE BOX FOR SURFACE-MOUNT APPLICATIONS.

**B** BG-12LX MANUAL STATION INSTALLATION DETAIL

SHOWN ON DRAWINGS AS:

INSTALLATION NOTES:

- 1 THE BG-12LX CAN BE FLUSH MOUNTED ON A SINGLE-GANG DEEP BOX OR CAN BE SURFACE MOUNTED ON A SB-10 BOX.
- 2 WHEN INSTALLING SHIELDED CABLE ISOLATE THE SHIELD FROM GROUND. THE SHIELD MUST BE CONTINUOUS THROUGHOUT THE CIRCUIT. DO NOT CONNECT THE SHIELD TO ANY TERMINALS.
- 3 THE MONITOR MODULE IS FACTORY INSTALLED; OPEN THE DOOR TO SET THE ADDRESS. THE MONITOR MODULE IS FIELD REPLACEABLE AND SNAPS INTO PLACE.

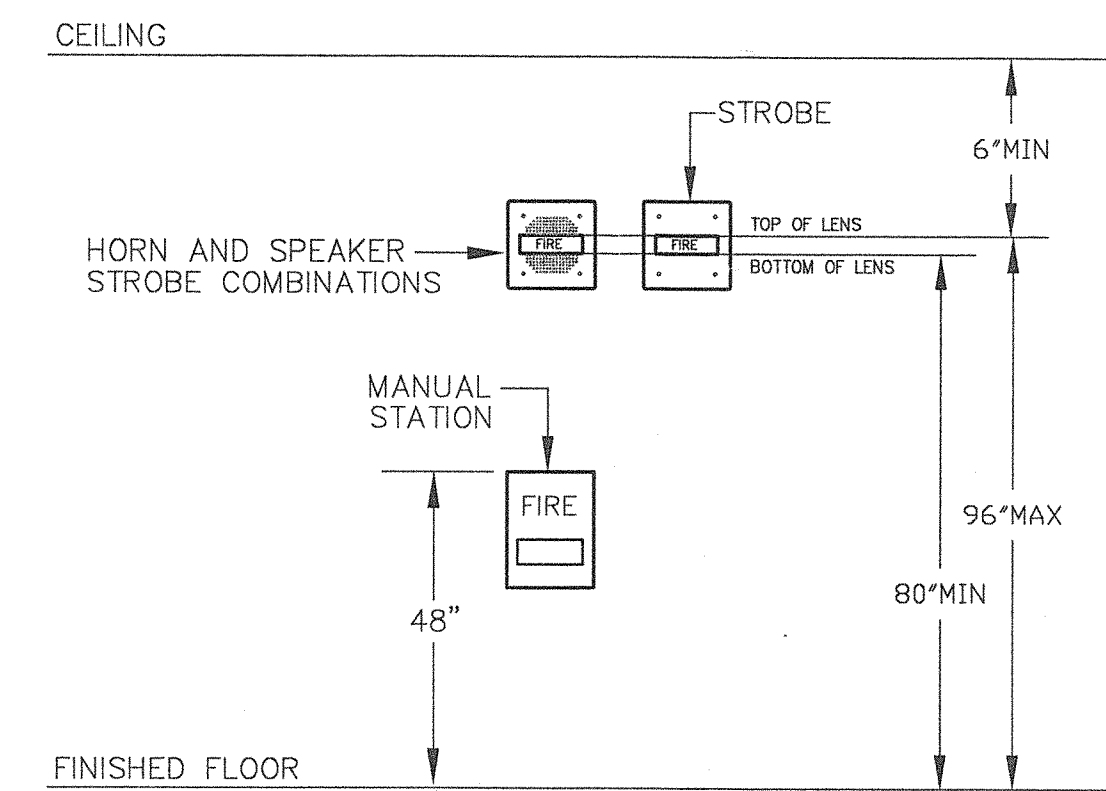


**C** DUCT DETECTOR WIRING DETAIL

SHOWN ON DRAWINGS AS:

INSTALLATION NOTES:

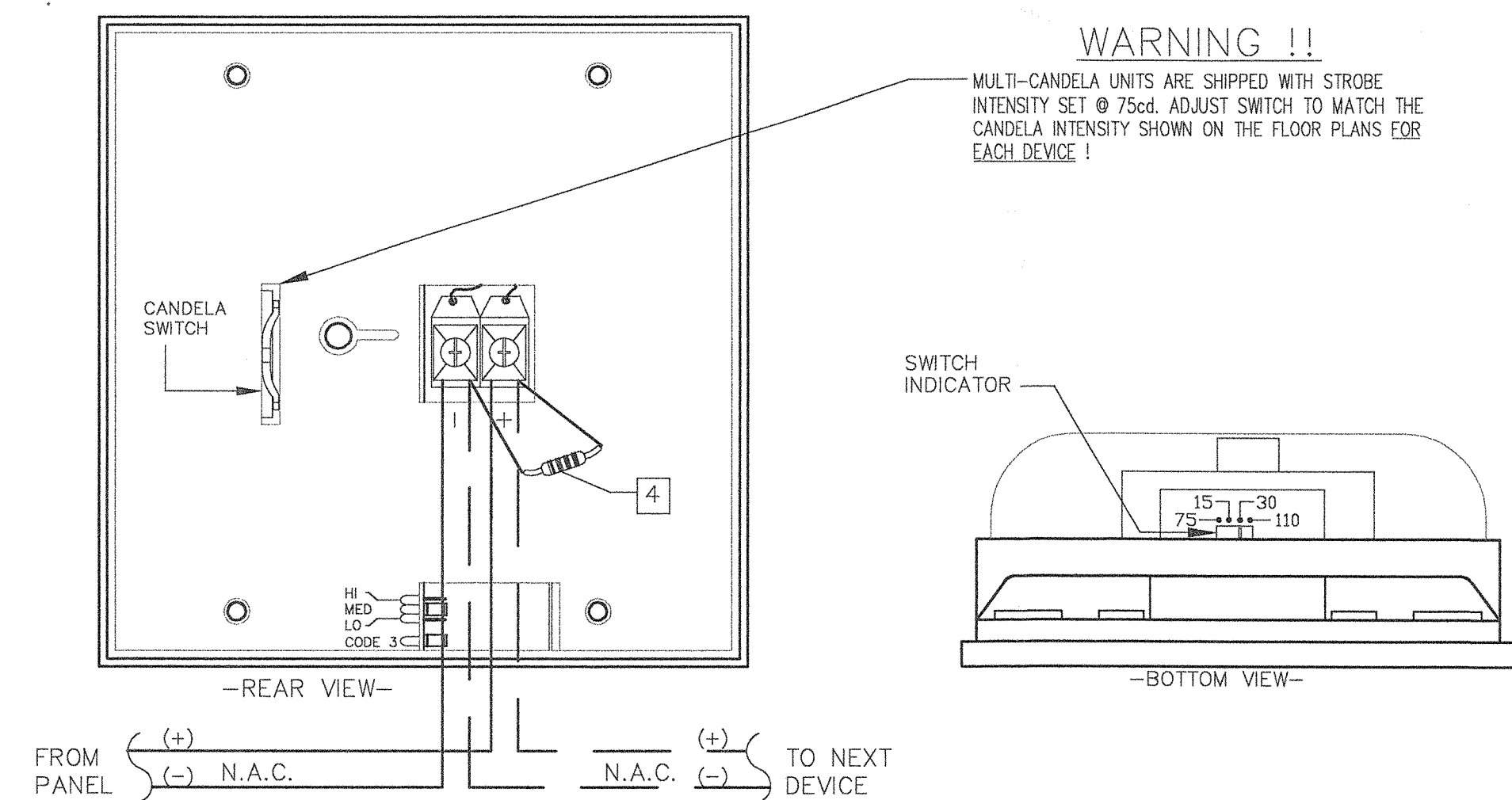
- 1 INSTALL MMF-300 MODULE IN A 4" SQUARE DEEP BOX IN A USUALLY ACCESSIBLE LOCATION.
- 2 USE SHIELDED CABLE FOR THE SLC LOOP. WHEN INSTALLING SHIELDED CABLE ISOLATE THE SHIELD FROM GROUND. THE SHIELD MUST BE CONTINUOUS THROUGHOUT THE CIRCUIT. DO NOT CONNECT THE SHIELD TO ANY TERMINALS.
- 3 INSTALL 47K OHM END-OF-LINE RESISTOR AS SHOWN, (PROVIDED WITH MMF-300 MODULE).



**D** MOUNTING HEIGHTS FOR WALL MOUNTED DEVICES

INSTALLATION NOTES:

- 1 MOUNT VISUAL APPLIANCES AT LEAST 80" A.F.F. OR MINIMUM OF 6" BELOW CEILING, USING WHICHEVER HEIGHT IS LOWER.
- 2 STROBE PLACEMENT IN SLEEPING AREAS SHALL BE WITHIN 16' OF THE PILLOW LOCATION.

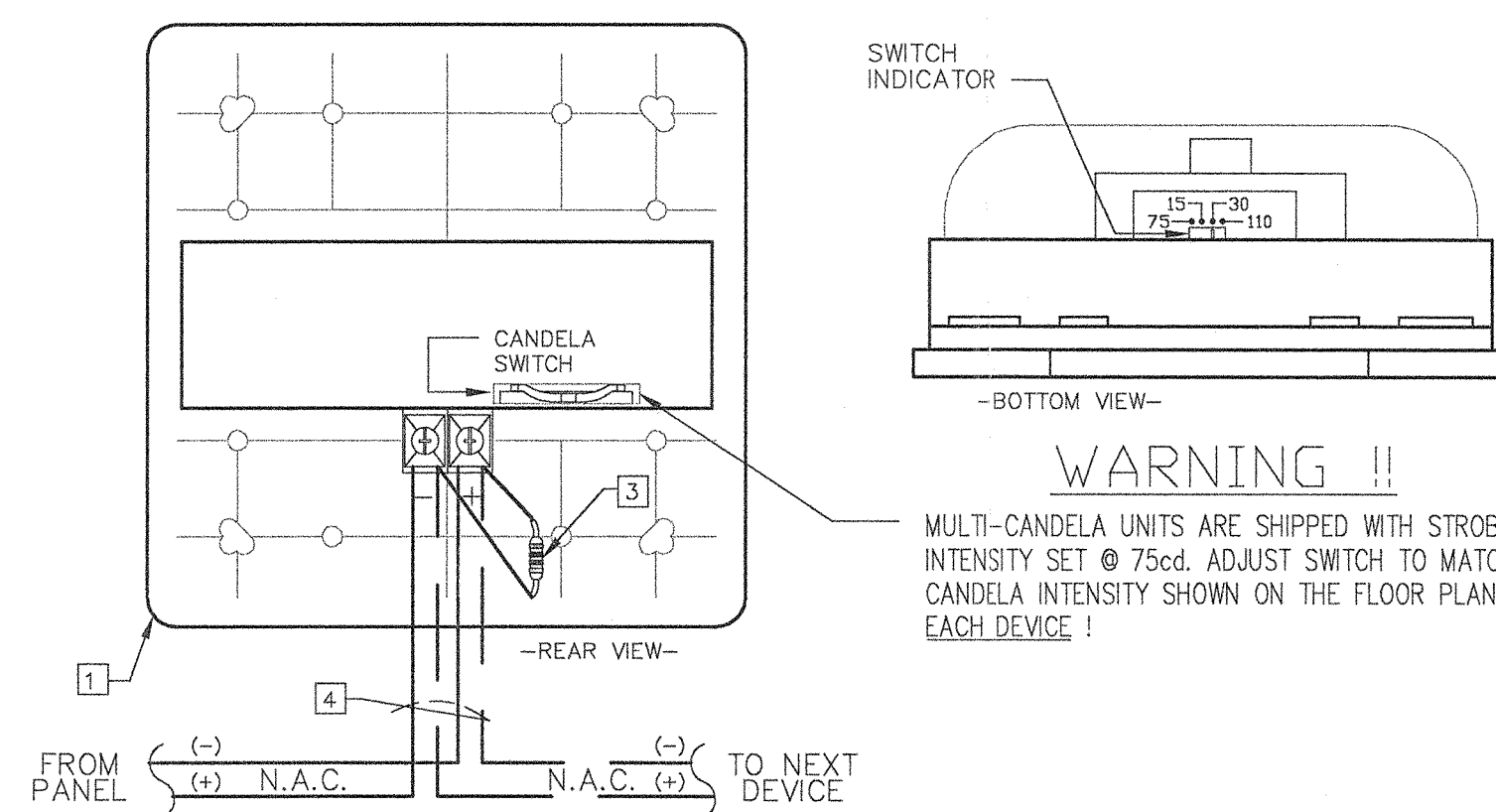


**E** HORN STROBE NS-SERIES MULTI CANDELA

SHOWN ON DRAWINGS AS:

INSTALLATION NOTES:

- 1 THE AS HORN STROBE CAN FLUSH MOUNT ON A DEEP 4" SQUARE BOX, AND 2-GANG BOXES. USE SBB-R BOX FOR SURFACE MOUNTING.
- 2 REFER TO FLOOR PLAN TO ASSURE THAT THE CORRECT INTENSITY IS SET TO MATCH THE INTENSITY SHOWN ON THE FLOOR PLANS.
- 3 REFER TO FLOOR PLANS FOR ACTUAL WIRE SIZE.
- 4 INSTALL EOL RESISTOR AT LAST DEVICE ON THE CIRCUIT ONLY (STYLE "Y" CIRCUITS ONLY) AS SHOWN ON FLOOR PLANS. VERIFY RESISTOR VALUE WITH GREGORY SYSTEMS FIELD TECHNICIAN.

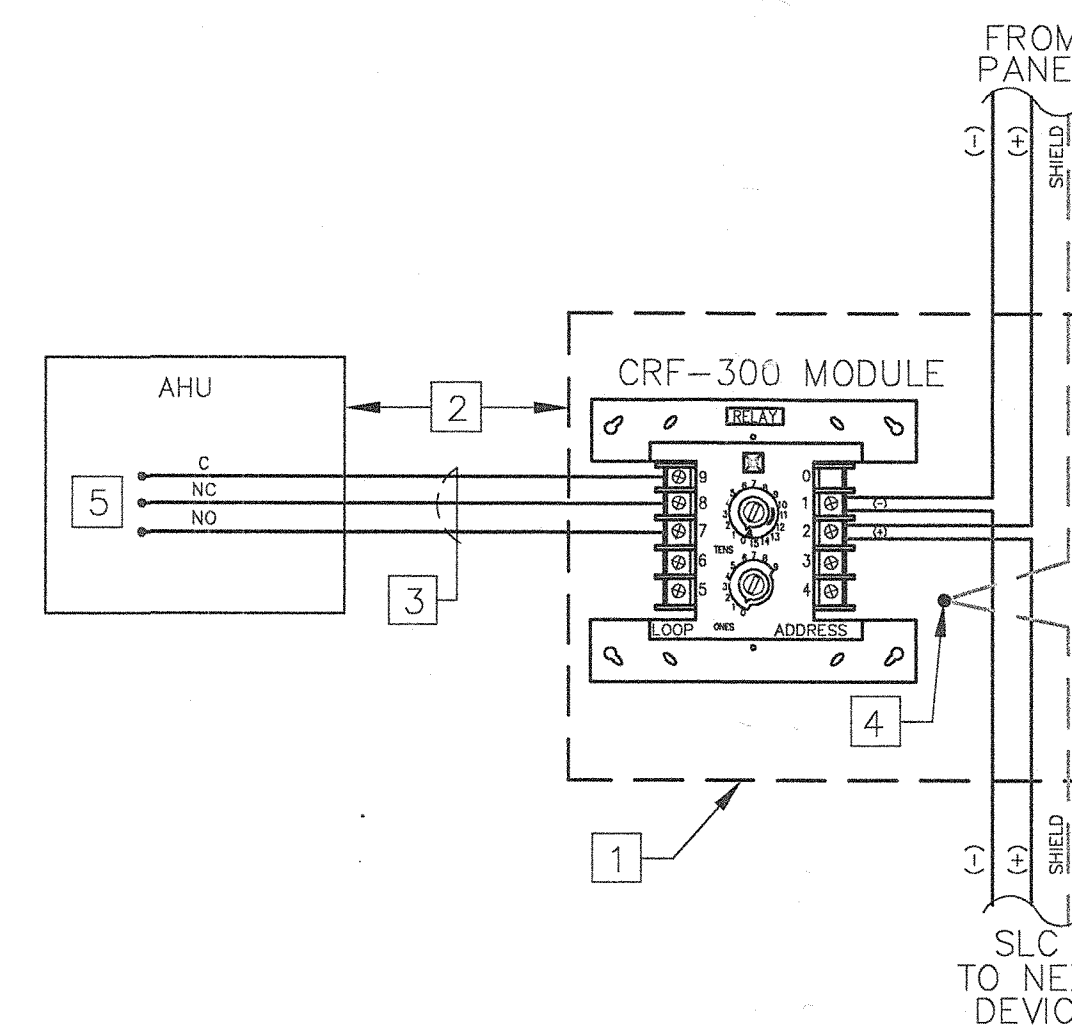


**F** WHEELOK RSS MULTI-CANDELA STROBE

SHOWN ON DRAWINGS AS:

INSTALLATION NOTES:

- 1 THE RSS STROBE CAN FLUSH MOUNT ON A 4" SQUARE BACKBOX, AND 1 OR 2-GANG BOXES. FOR SURFACE MOUNTING, USE THE SBB-R BACKBOX.
- 2 REFER TO THE FLOOR PLANS TO ASSURE THAT THE CORRECT INTENSITY IS SET TO MATCH THE INTENSITY SHOWN ON THE FLOOR PLAN.
- 3 INSTALL EOL RESISTOR AT LAST DEVICE ON THE CIRCUIT (STYLE "Y" CIRCUITS ONLY) AS SHOWN ON FLOOR PLANS. VERIFY RESISTOR VALUE WITH GREGORY SYSTEMS FIELD TECHNICIAN.
- 4 REFER TO FLOOR PLANS FOR ACTUAL WIRE SIZE.



**G** CRF-300 RELAY FOR AHU SHUTDOWN

SHOWN ON DRAWINGS AS:

INSTALLATION NOTES:

- 1 INSTALL CRF RELAY IN A 4" SQUARE DEEP BOX.
- 2 INSTALL RELAY WITHIN 3 FEET OF AHU.
- 3 INSTALL THHN WIRE OF ADEQUATE SIZE TO MATCH CIRCUIT LOAD RATING. NOTE: #12 AWG IS LARGEST SIZE CABLE ALLOWABLE FOR CONNECTION TO CRF RELAY.
- 4 WHEN INSTALLING SHIELDED CABLE ISOLATE THE SHIELD FROM GROUND. THE SHIELD MUST BE CONTINUOUS THROUGHOUT THE CIRCUIT. DO NOT CONNECT THE SHIELD TO ANY TERMINALS.
- 5 REFER TO MECHANICAL CONTRACTOR FOR PROPER CIRCUIT TERMINATIONS ON AHU.

**Gregory Systems**

3540 Crain Highway #374  
Bowie, MD 20716

1511 Farm Lake Drive  
Holly Springs, NC 27540

(919) 552-0670  
FAX: (919) 552-0716

DESIGNED BY: TODD GREGORY  
DRAWN BY: REVAN DAVIS

PROJECT TITLE:  
**FIRE ALARM SYSTEM  
INSTALLATION FOR  
JUBILEE CHURCH**  
HIGHWAY 55  
FUQUAY-VARINA, NC

DATE: 08/24/04

SHEET TITLE:

**PANEL ELEVATION  
AND  
DEVICE DETAILS**

SHEET