

Range Protection 1F (1-Flow) Nozzle (With or Without Back Shelf/Obstruction)

Single and multiple burner ranges can be protected using a 1F nozzle. The nozzle is stamped with 1F indicating that it is a one-flow nozzle and must be counted as one flow number.

When using the 1F nozzle for range protection with or without back shelf or other similarly sized obstruction, the maximum length of the burner grates being protected must not exceed 28 in. (711 mm) and the maximum area of the burner grates must not exceed 336 in.² (21677 mm²). See Figure 4-37 for nozzle location details.

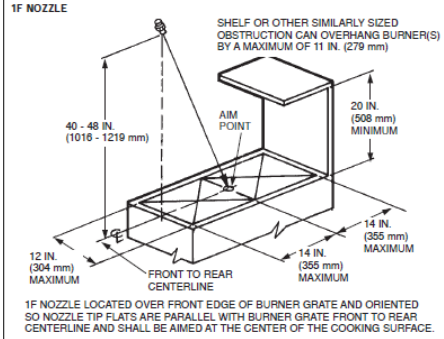


FIGURE 4-37

HORIZONTAL PROTECTION – OPTION 1

1N NOZZLE SINGLE BANK PROTECTION

One 1N nozzle will protect 10 linear feet (3.0 m) of single filter bank plenum. The nozzle(s) must be mounted in the plenum, 2 to 4 in. (50 to 102 mm) from the face of the filter, centered between the filter height dimension, and aimed down the length. The nozzle must be positioned 0-6 in. (0-152 mm) from the end of the hood to the tip of the nozzle. See Figure 4-9.

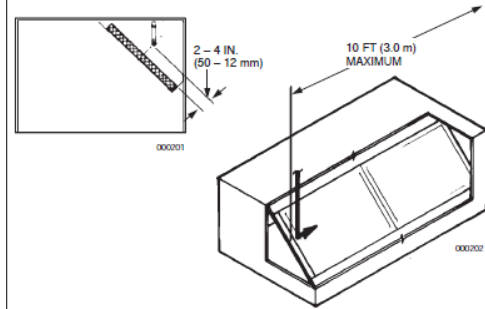
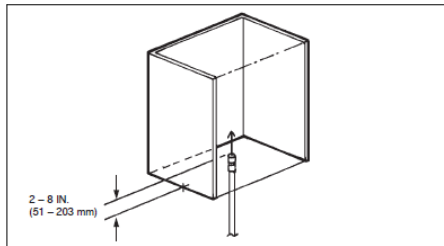
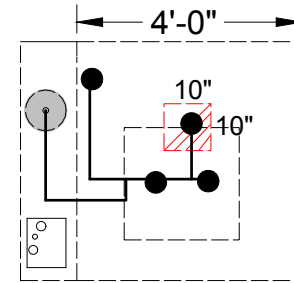


FIGURE 4-9



FLOW NOS. ALLOWED - 5
FLOW NOS. USED - 4
PIPE SIZE - 3/8"

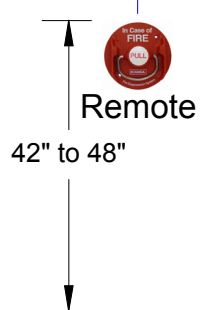


DUCT SIZES UP TO 50 IN. (1270 mm)
 PERIMETER/ 16 IN. (406 mm) DIAMETER

- One 1W nozzle = one flow number
- 50 in. (1270 mm) perimeter maximum
- 16 in. (406 mm) diameter maximum

DUCT SIZES UP TO 100 IN. (2540 mm)
 PERIMETER/ 32 IN. (812 mm) DIAMETER

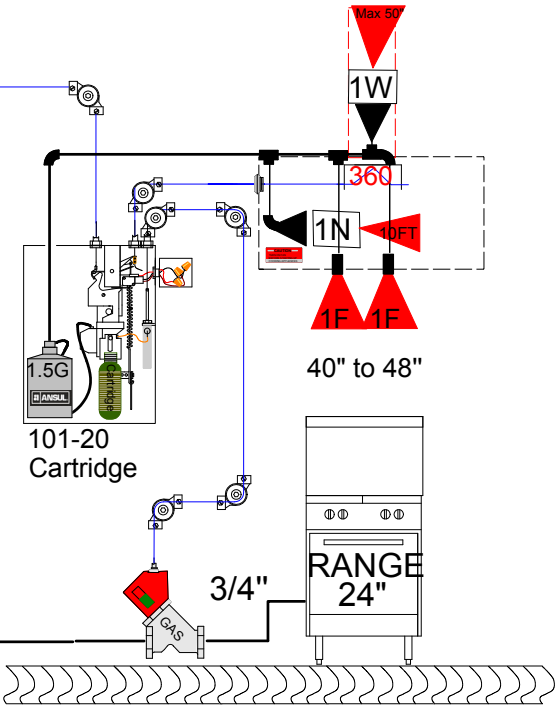
- One 2W nozzle = two flow numbers
- 100 in. (2540 mm) perimeter maximum
- 32 in. (812 mm) diameter maximum



Remote

42" to 48"

HORN
 STROBE
 FACP



Controls, pipe routings, remote pull station and gas valve locations are for reference only, locations may change.

- (1) ALL GAS AND ELECTRICAL APPLIANCES UNDER HOOD SHUT DOWN BY OTHERS.
- (2) EXHAUST FAN CONTINUES TO RUN ON DISCHARGE OF FIRE SYSTEM BY OTHERS.
- (3) FRESH AIR FAN SHUTS DOWN ON DISCHARGE OF FIRE SYSTEM BY OTHERS.
- (4) FIRE ALARM SYSTEM ACTIVATES IF BUILDING IS EQUIPPED WITH A FIRE ALARM BY OTHERS.
- (5) HOOD LIGHTS TURN OFF IF REQUIRED BY AHJ BY OTHERS.
- (6) REMOTE PULL STATION LOCATED 10' TO 20' FROM HOOD & 48" FROM FINISHED FLOOR
- (7) HVAC SYSTEM SHUTS DOWN WHEN FIRE SYSTEM IS ACTIVATED, IF REQUIRED BY AHJ BY OTHERS.
- (8) CLASS "K" FIRE EXTINGUISHER LOCATED NOT MORE THAN 30' FROM HOOD

Parrish Fire & Safety, Inc



DRAWN RKW Scale N/A

Spring Hill Child Care Center
2559 Spring Hill Church Road
Lillington, NC 27546

SHEET NO. FP1 of 1

DATE
 09-01-2021

REV -