

Mermaid Point | Eats & Drinks on the River - 100 South Main Street

GENERAL NOTES:

INSTALLATION PER IFC-2012, NFPA 96, 17A, AND UL 300 STANDARDS AND PER MANUFACTURERS' INSTRUCTIONS/RECOMMENDATIONS DESIGN BASED ON SECTION IV OF PYROCHEM NSTALLATION MANUAL

ALL PIPE AND FITTINGS ARE 3/8" SCHEDULE 40 BLACK IRON & CHROME PIPING CONFIGURATIONS & LIMITATIONS ARE TOO LENGTHY TO LIST PIPING SHALL BE INSTALLED IN ACCORDANCE WITH THE MANUFACTURER'S REQUIREMENTS SEE CHAPTER 4 - DISTRIBUTION PIPING REQUIREMENTS

ACTUATION & EXPELLENT HOSES, PIPING OR TUBING SHALL BE INSTALLED IN ACCORDANCE WITH CHAPTER 5:"INSTALLING THE ACTUATION & EXPELLANT GAS LINES"

DETECTION LINE LIMITATIONS SHALL BE INSTALLED IN ACCORDANCE WITH PYROCHEM TECHNICAL MANUAL CHAPTER 4 - SYSTEM DESIGN SCISSOR STYLE DETECTORS SHALL BE USED WITHOUT OFF-SET CONDUIT. MAXIMUM # OF DETECTORS IS 15. MAXIMUM NUMBER OF CORNER PULLEYS IS 20 WITH A MAXIMUM OF 150' OF 1/2" EMT FUSIBLE LINK INSTALLATION SHALL CONFORM TO MANUFACTURER'S INSTRUCTIONS APPLIANCES WITH A CONTINUOUS COOKING SURFACE UP TO 48" X 48" SHALL BE PROTECTED WITH A SINGLE DETECTOR APPLIANCES EXCEEDING 48" X 48" SHALL BE PROTECTED BY MULTIPLE DETECTORS

REMOTE MANUAL PULL STATION(S) SHALL BE INSTALLED ON A PATH OF EGRESS OR EXIT AND IN ACCORDANCE WITH ANSUL TECHNICAL MANUAL CHAPTER 4 - SYSTEM DESIGN MAXIMUM NUMBER OF 20 CORNER PULLEYS, 150 FEET OF 1/2" EMT AND (1) TEE PULLEY

MECHANICAL GAS VALVE CONNECTIONS SHALL BE MADE IN ACCORDANCE WITH CODE REQUIREMENTS & CHAPTER 4 - SYSTEM DESIGN OF THE PYROCHEM MANUAL A MAXIMUM OF 20 CORNER PULLEYS, 150 FEET OF 1/2" EMT AND (1) TEE PULLEY

ELECTRIC GAS VALVES SHALL BE CONNECTED USING A RESET RELAY RESET RELAY & ELECTRICAL PORTION OF VALVE INSTALLATION SHALL BE BY A QUALIFIED ELECTRICIAN CONFORMANCE WITH NFPA #70 IS THE RESPONSIBILITY OF THE INSTALLING CONTRACTOR NOT AAFP

CONNECTION TO FIRE ALARM CONTROL PANEL TO BE MADE BY OTHERS WHEN APPLICABLE ELECTRICAL DISCONNECTS TO BE PERFORMED BY QUALIFIED ELECTRICIAN, WHEN APPLICABLE GAS VALVE TO BE INSTALLED BY A QUALIFIED PLUMBER WHEN APPLICABLE CONFORMANCE TO APPLICABLE NFPA CODES FOR ALARM, ELECTRICAL & PLUMBING WORK IS THE RESPONSIBILITY OF THE INSTALLING CONTRACTOR & IS NOT THE RESPONSIBILITY OF AAFP

CONDITION AND ACCEPTABILITY OF THE EXHAUST HOOD & DUCT IS THE RESPONSIBILITY OF THE OWNER/OPERATOR

APPLIANCES SHOWN ON PLANS ARE REPRESENTATIONAL ONLY - ACTUAL APPLIANCES MAY APPEAR DIFFERENT THAN SHOWN ON PLANS

GENERAL SEQUENCE OF OPERATION - NOT PROJECT SPECIFIC

UPON ACTIVATION OF A FUSIBLE LINK OR REMOTE MANUAL PULL STATION AN PYROCHEM WET CHEMICAL FIRE SYSTEM MAY RESULT IN THE FOLLOWING SEQUENCE OF OPERATION:

WET CHEMICAL SHALL DISCHARGE ONTO PROTECTED APPLIANCES & INTO DUCT & PLENUM AREAS OF HOOD SIMULTANEOUSLY, IF CONNECTED, A FIRE ALARM SYSTEM SHALL BE ACTIVATED OR A HORN/STROBE SHALL ACTIVATE (PRECISE OPERATIONS OF FIRE ALARM SYSTEM / CONTROL PANEL ARE NOT THE RESPONSIBILITY OF THE SUPPRESSION SYSTEM CONTRACTOR AND ARE NOT LISTED ON THESE PLANS) SIMULTANEOUSLY, ALL GAS APPLIANCES LOCATED UNDER THE HOOD SHALL SHUTDOWN VIA MECHANICAL OR ELECTRICAL GAS VALVE SIMULTANEOUSLY, ALL ELECTRICAL EQUIPMENT, PROTECTED OR UNPROTECTED, UNDER THE HOOD SHALL SHUTDOWN SIMULTANEOUSLY, HOOD LIGHTS, AS PERMITTED BY CODE MAY REMAIN ON OR MAY SHUTDOWN SIMULTANEOUSLY, INTERNAL MAKE-UP AIR SHALL SHUTDOWN SIMULTANEOUSLY, EXTERNAL MAKE-UP AIR MAY REMAIN ON OR MAY SHUTDOWN SIMULTANEOUSLY, EXHAUST FAN MAY OR MAY NOT CONTINUE TO OPERATE (IF THE EXHAUST FAN IS OFF AT THE TIME OF DISCHARGE, THE FAN MAY OR MAY NOT TURN ON)

I.D. DESCRIPTION

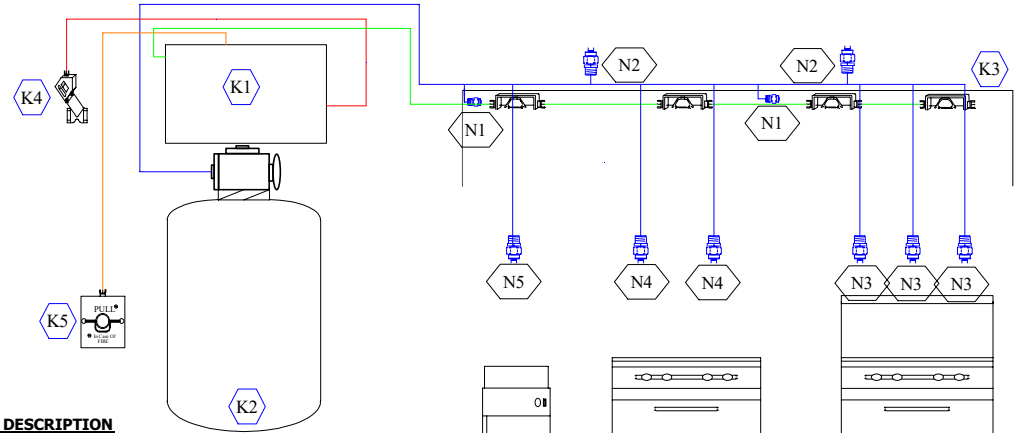
K1 NEW NMCH CONTROL HEAD CONTAINS (1) CARTRIDGE, (1) SET OF MICROSWITCHES

K2 CYLINDER #1 - (1)PCL-600 TANK 20 FLOW POINTS AVAIL. 16 USED

K3 HOOD #1: NEW TYPE I EXHAUST HOOD: 16'-0" X 78" W/ A SINGLE BANK OF BAFFLED FILTERS CONTAINS (1) EXHAUST DUCTS: 14" X 16" X2

K4 USED MECHANICAL GAS VALVE LOCATED ABOVE THE CEILING

K5 NEW REMOTE MANUAL PULL STATION LOCATED 48" A.F.F. ON PATH OF EGRESS OR EXIT



I.D. NOZZLE DESCRIPTION

1H: PLENUM PROTECTION

NOZZLE ID: 1H FLOW POINTS: 1
NOZZLE HEIGHT: 1/3 WAY DOWN VERTICAL
LOCATION: 2" FROM BACK EDGE OF FILTER WITHIN 6" OF END OF PLENUM
COVERAGE: LENGTH 10' X-0" WIDTH 4'-0"

2D: EXHAUST DUCT PROTECTION - UP TO 100"

NOZZLE ID: 2D FLOW POINTS: 2
NOZZLE HEIGHT: 0" TO 6"
LOCATION: CENTER LINE OF AREA - AIM INTO OPENING
COVERAGE: 100" PERIMETER WITH 37 3/8" MAX DIAGONAL ROUND DUCT MAXIMUM 31 7/8" DIAMETER

2L: SMALL RANGE PROTECTION

NOZZLE ID: 2L FLOW POINTS: 2
NOZZLE HEIGHT: 24" TO 35"
LOCATION: FRONT EDGE - AIM 10" FORWARD FROM BACK OF BURNER ON FRONT REAR CENTERLINE
COVERAGE: MAXIMUM AREA: 336 SQ. IN., LONGEST SIDE 28"

1H: GAS RADIANT CHAR BROILER PROTECTION 26"

NOZZLE ID: 1L FLOW POINTS: 1
NOZZLE HEIGHT: 24" TO 48"
LOCATION: ANYWHERE ON THE PERIMETER AIMED CENTER
COVERAGE: MAXIMUM AREA: 624 SQ. IN., LONGEST SIDE 26"

2H: FRYER WITH DRIPBOARD - 19.5" FRYPOT

NOZZLE ID: 2H FLOW POINTS: 2
NOZZLE HEIGHT: 24" TO 48"
LOCATION: ANYWHERE ALONG PERIMETER AIMED CENTER
COVERAGE: 19.5" LONGEST SIDE 371SQ IN FRYPOT
25 3/8" LONGES SIDE 495 SQ. IN OVERALL

I.D. APPLIANCE DESCRIPTION

A1 6 BURNER RANGE

A2 CHARGRILL 36" X 24"

A3 FRYER 14" X 26"

| | | | |
|------------------------|-----------|---------------|------------|
| ANSUL MANUAL #: | 418087-12 | NOTES: | |
| DRAWING #: | 1 OF 1 | | |
| SCALE: | NTS | DATE: | |
| DRAWN BY: | TNW | | 06/14/2021 |

| | | |
|---|--|--|
| PROJECT NAME & ADDRESS: Mermaid Point Eats & Drinks on the River 100 South Main Street Lillington, NC 27546 | | ALL AMERICAN FIRE PROTECTION 159 S MAIN ST, SPRING LAKE NC, 28390 Phone: 910-496-0600 Fax: 2910-496-0013 |
|---|--|--|