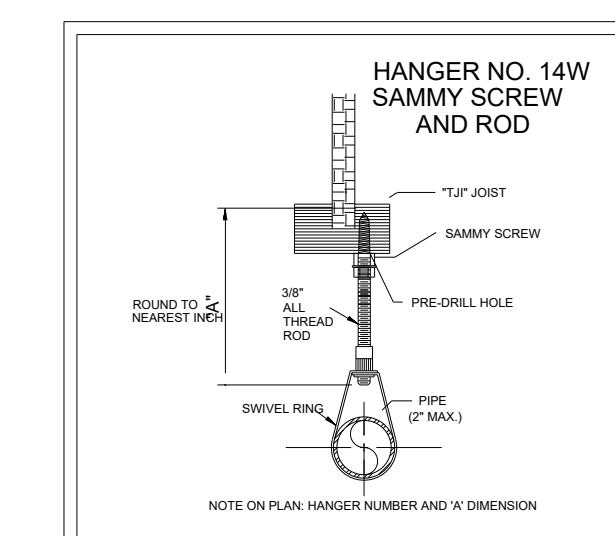
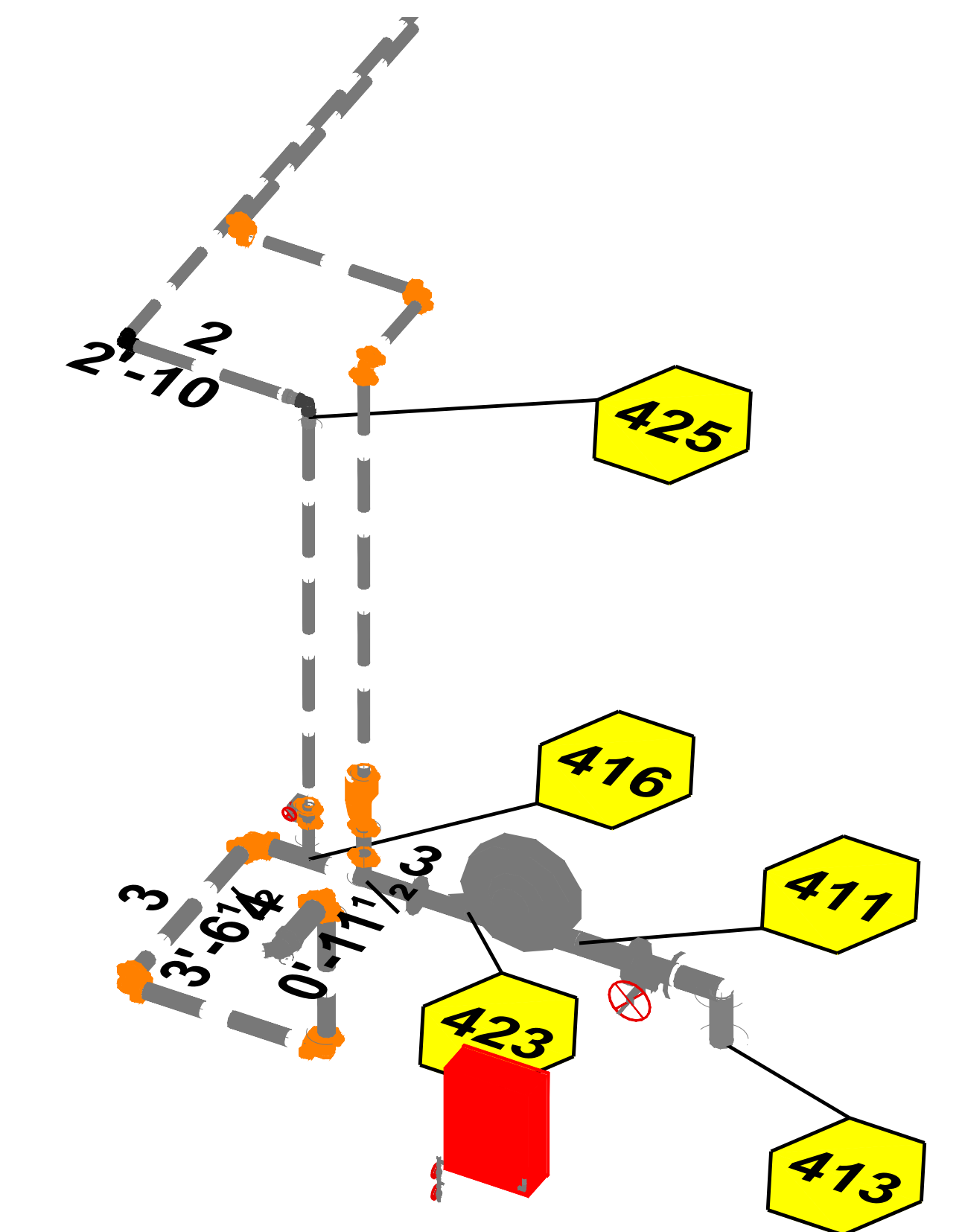
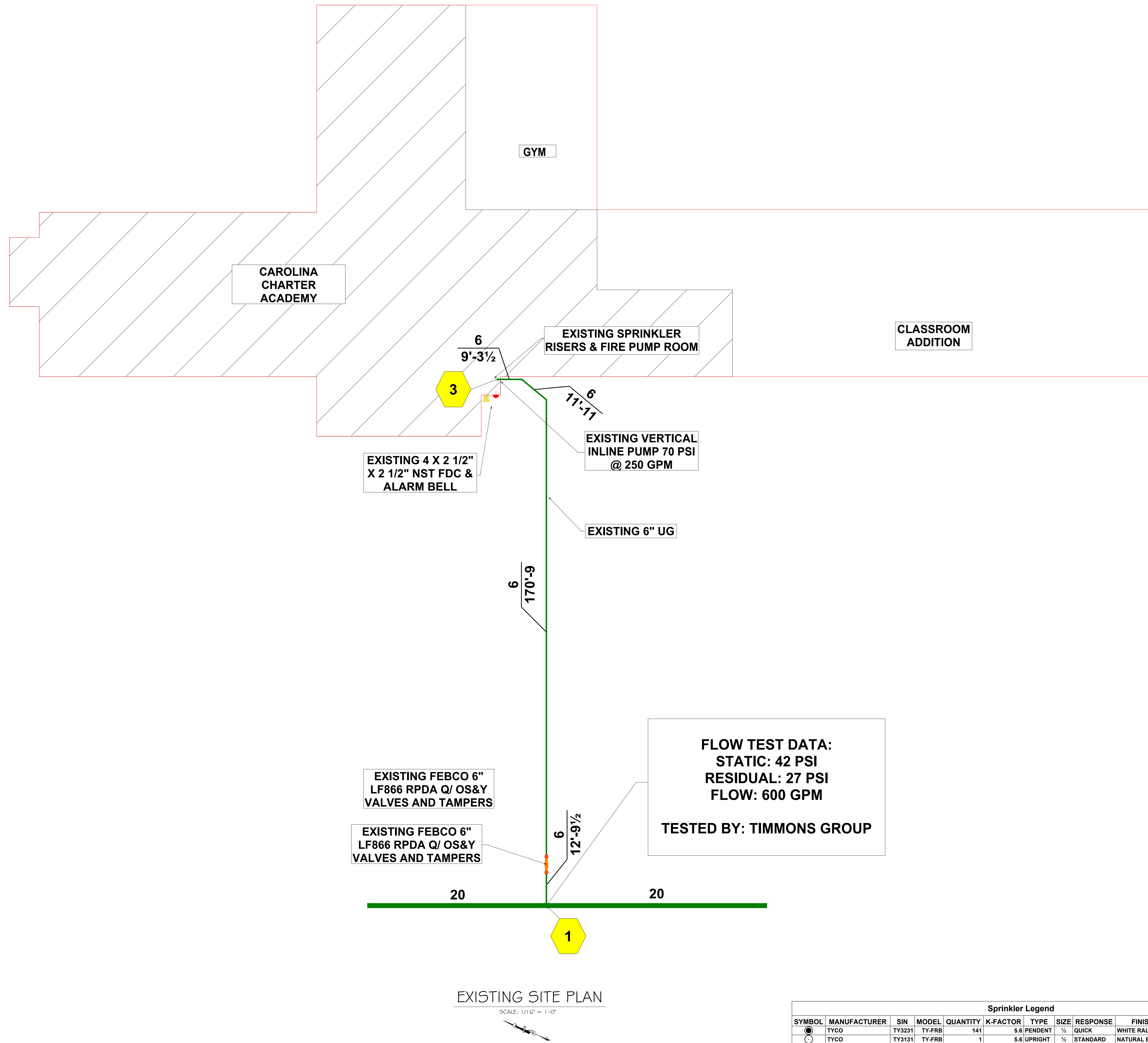


GENERAL NOTES

1. ODYSSEY FIRE PROTECTION SCOPE OF WORK SHALL INCLUDE BUT NOT LIMITED TO THE FOLLOWING: INSTALLATION OF NEW SPRINKLER HEADS, NEW SPRINKLER PIPING, AND PROVIDE SPRINKLER PROTECTION THROUGH NEW ADDITIONS, AND RELOCATE SPRINKLERS WHERE REQUIRED IN EXISTING BUILDING.
2. CONTRACTOR TO COORDINATE EXACT PIPE LOCATIONS AND ROUTINGS WITH OBSTRUCTIONS AND PROVIDE ADDITIONAL PIPING, OFFSETS, AND FITTINGS TO FACILITATE PROPER INSTALLATION. ODYSSEY SHALL COORDINATE WORK WITH THE WORK OF OTHERS TO MINIMIZE CONFLICT AND INTERFERENCE THROUGHOUT THE PROJECT.
3. APPROVALS SHALL BE OBTAINED FROM AUTHORITY HAVING JURISDICTION PRIOR TO COMMENCEMENT OF WORK.
4. ODYSSEY SHALL PROVIDE ALL NECESSARY PIPING, HANGERS, AND ACCESSORIES FOR ENTIRE SCOPE OF WORK.
5. OWNER SHALL MAINTAIN HEAT AT 40 DEGREES IN ALL AREAS OF BUILDING WHERE WET SPRINKLER PIPING IS INSTALLED.
6. ALL SPRINKLER SPACING SHALL, AT MINIMUM COMPLY WITH NFPA 13. ALL HEADS ARE SPACED TO ALL OBSTRUCTIONS IN ACCORDANCE WITH THE OBSTRUCTION RULES LAID OUT BY NFPA 13
7. FIRST FLOOR PIPE SIZES DETERMINED BY SECOND FLOOR CALCULATIONS.
8. ALL CONCEALED SPACES ARE TO BE FILLED WITH NON-COMBUSTIBLE INSULATION PER NFPA 13, 8.15.1.2.7



ALL PIPE LENGTHS ON THIS DRAWING ARE CENTER TO CENTER.

NATIONAL INSTITUTE FOR CERTIFICATION
IN ENGINEERING TECHNOLOGIES
THE RECORD OF THIS ORGANIZATION SHOWS THAT
ERIC W. WILLIAMS
IS CERTIFIED IN THE TECHNICAL AREA
AUTOMATIC SPRINKLER SYSTEMS DESIGN AND INSTALLATION REVISIONS VALID THRU
00301 / LEVEL III 102352 02 / 01 / 2022

FOR PERMIT

NOTE: FOR HYDRAULIC PURPOSES ONLY

	GENERAL NOTES	MATERIAL SPECIFICATION	HANGER SPACING	SCOPE OF WORK	WATER SUPPLY INFO	SPRINKLER DESIGN DATA	REVISIONS	PROJECT:
	DESIGN IS SUBJECT TO MINOR DEVIATIONS ARISING FROM FIELD CONDITIONS AND/OR TRADE COORDINATION. SUCH DEVIATIONS SHALL NOT AFFECT CODE COMPLIANCE OR SCOPE OF WORK.	PIPE: SCH. 10 4 40 BLACK PIPE	MAX HANGER SPACING: STEEL 12', CPVC 5'-0" O.C.	BY O.P.P. BY OTHERS	TESTED BY: TIMMONS GROUP	DESIGNED PER: NFPA 13 (2013)	# DATE BY DESCRIPTION	1 1/6/22 MB GYM LAYOUT CHANGE # CEILING CHANGE LEVEL 1
	THIS DRAWING IS THE PROPERTY OF ODYSSEY FIRE PROTECTION, LLC AND IS NOT TO BE DUPLICATED WITHOUT WRITTEN AUTHORIZATION FROM ODYSSEY FIRE PROTECTION.	FITTINGS: C.I. THREADED, GROOVED, & FLANGED	END OF LINE HANGER	FLAME OR EQUIPMENT PADS	RESIDUAL	2		CONTRACT WITH: SWINERTON
		END OF LINE HANGER	VALVE OR EQUIPMENT PADS	FLOW	27 PSI	3		DRAWN BY: MATT BAYNE
		1-1/2" 4 LARGER	END OF LINE HANGER	ELECTRIC CONTROL WIRING	SOURCE	4		CHECKED BY: ENW
		ARMORER HANGER	ARMORER HANGER	ELECTRIC ALARM WIRING	CITY	5		DATE: 01/06/22
		1" > 2" HORIZONTAL	1" > 2" HORIZONTAL	CLUTCHPATCH CONC. OR PAVING		6		DATE: 01/06/22
		1-1/2" 4 LARGER	1-1/2" 4 LARGER			7		CONTRACT # 3896-21
						8		NC LICENSE NO. PS-28597
						9		ODYSSEY FIRE PROTECTION, LLC

P.O. BOX 2 HAMPSTEAD, NC 28443
910-330-5450 FAX 910-330-5450
NC LIC #PS28597

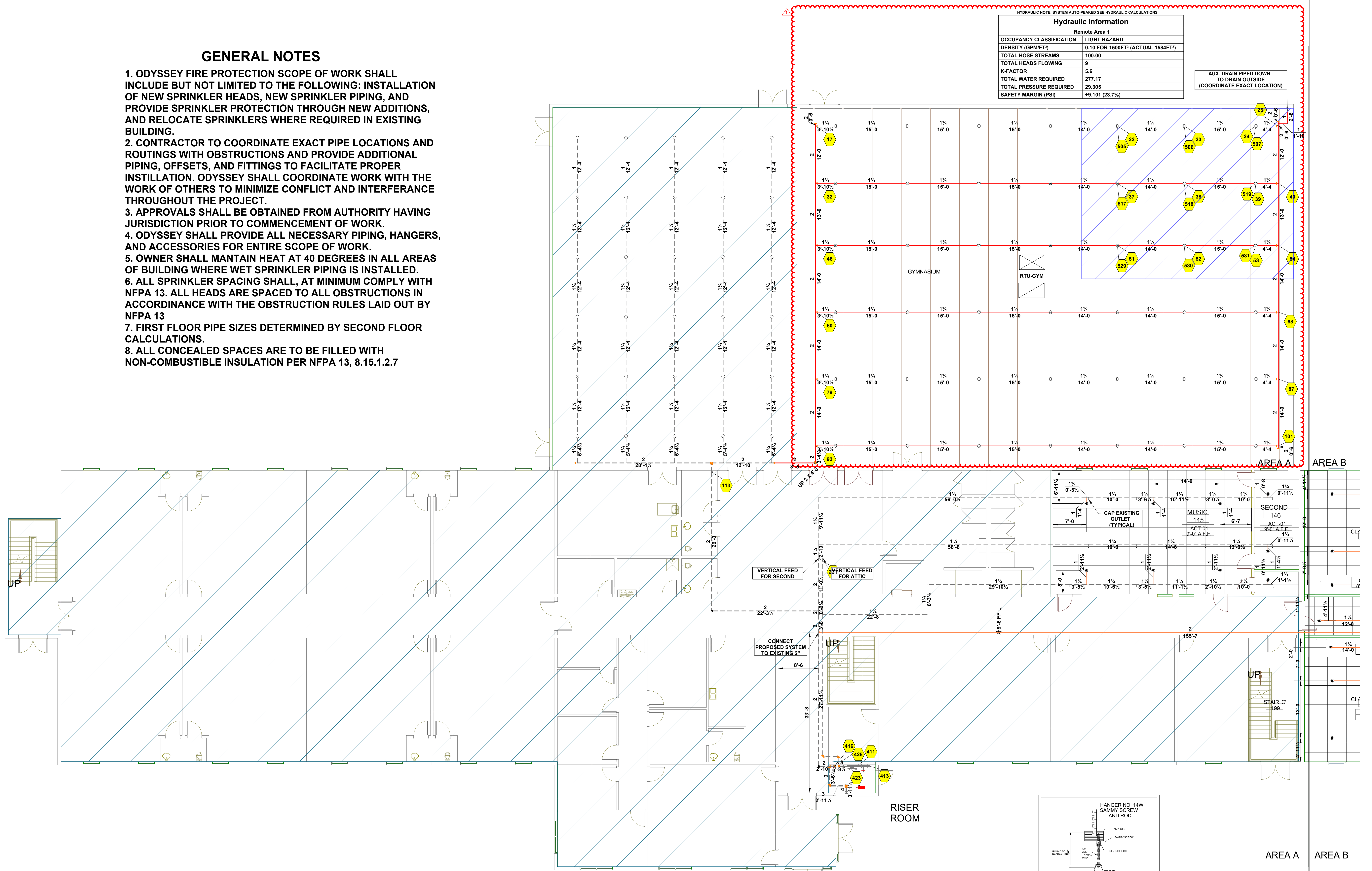
GENERAL NOTES

1. ODYSSEY FIRE PROTECTION SCOPE OF WORK SHALL INCLUDE BUT NOT LIMITED TO THE FOLLOWING: INSTALLATION OF NEW SPRINKLER HEADS, NEW SPRINKLER PIPING, AND PROVIDE SPRINKLER PROTECTION THROUGH NEW ADDITIONS, AND RELOCATE SPRINKLERS WHERE REQUIRED IN EXISTING BUILDING.
2. CONTRACTOR TO COORDINATE EXACT PIPE LOCATIONS AND ROUTINGS WITH OBSTRUCTIONS AND PROVIDE ADDITIONAL PIPING, OFFSETS, AND FITTINGS TO FACILITATE PROPER INSTALLATION. ODYSSEY SHALL COORDINATE WORK WITH THE WORK OF OTHERS TO MINIMIZE CONFLICT AND INTERFERENCE THROUGHOUT THE PROJECT.
3. APPROVALS SHALL BE OBTAINED FROM AUTHORITY HAVING JURISDICTION PRIOR TO COMMENCEMENT OF WORK.
4. ODYSSEY SHALL PROVIDE ALL NECESSARY PIPING, HANGERS, AND ACCESSORIES FOR ENTIRE SCOPE OF WORK.
5. OWNER SHALL MAINTAIN HEAT AT 40 DEGREES IN ALL AREAS OF BUILDING WHERE WET SPRINKLER PIPING IS INSTALLED.
6. ALL SPRINKLER SPACING SHALL, AT MINIMUM COMPLY WITH NFPA 13. ALL HEADS ARE SPACED TO ALL OBSTRUCTIONS IN ACCORDANCE WITH THE OBSTRUCTION RULES LAID OUT BY NFPA 13
7. FIRST FLOOR PIPE SIZES DETERMINED BY SECOND FLOOR CALCULATIONS.
8. ALL CONCEALED SPACES ARE TO BE FILLED WITH NON-COMBUSTIBLE INSULATION PER NFPA 13, 8.15.1.2.7

HYDRAULIC NOTE: SYSTEM AUTO-PEAKED SEE HYDRAULIC CALCULATIONS

Hydraulic Information	
Remote Area 1	
OCCUPANCY CLASSIFICATION	LIGHT HAZARD
DENSITY (GPM/FT)	0.10 FOR 1500FT ² (ACTUAL 1584FT ²)
TOTAL HOSE STREAMS	100.00
TOTAL HEADS FLOWING	9
K-FACTOR	5.6
TOTAL WATER REQUIRED	277.17
TOTAL PRESSURE REQUIRED	29.305
SAFETY MARGIN (PSI)	+9.101 (23.7%)

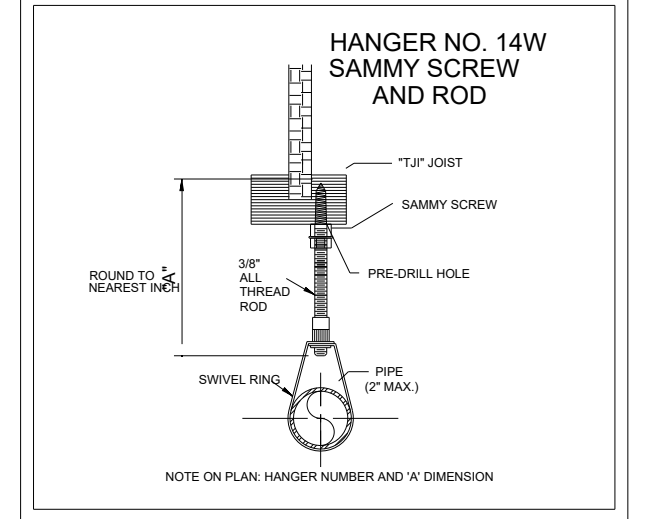
AUX. DRAIN PIPED DOWN TO DRAIN OUTSIDE (COORDINATE EXACT LOCATION)



CAROLINA CHARTER ACADEMY FIRST FLOOR FIRE PROTECTION

SCALE: 1/8" = 1'-0"

Sprinkler Legend											
SYMBOL	MANUFACTURER	SIN	MODEL	QUANTITY	K-FACTOR	TYPE	SIZE	RESPONSE	FINISH	TEMPERATURE	NOTE
	TYCO	TY3231	TY-FRB	9	5.6	PENDENT	1/2"	QUICK	WHITE RAL 9003	155°F	
	VIKING	VK3001		42	5.6	UPRIGHT	1/2"	STANDARD	BRASS	200°F	
				TOTAL = 51							



ALL PIPE LENGTHS ON THIS DRAWING ARE CENTER TO CENTER

NATIONAL INSTITUTE FOR CERTIFICATION
 IN ENGINEERING TECHNOLOGIES
 THE RECORD OF THIS ORGANIZATION SHOWS THAT
 ERIC W. WILLIAMS
 IS CERTIFIED IN THE TECHNICAL AREA OF
 AUTOMATIC SPRINKLER SYSTEMS DESIGN AND INSTALLATION REVISIONS VALID THRU
 00301 / LEVEL III 102352 02 / 01 / 2022

FOR PERMIT

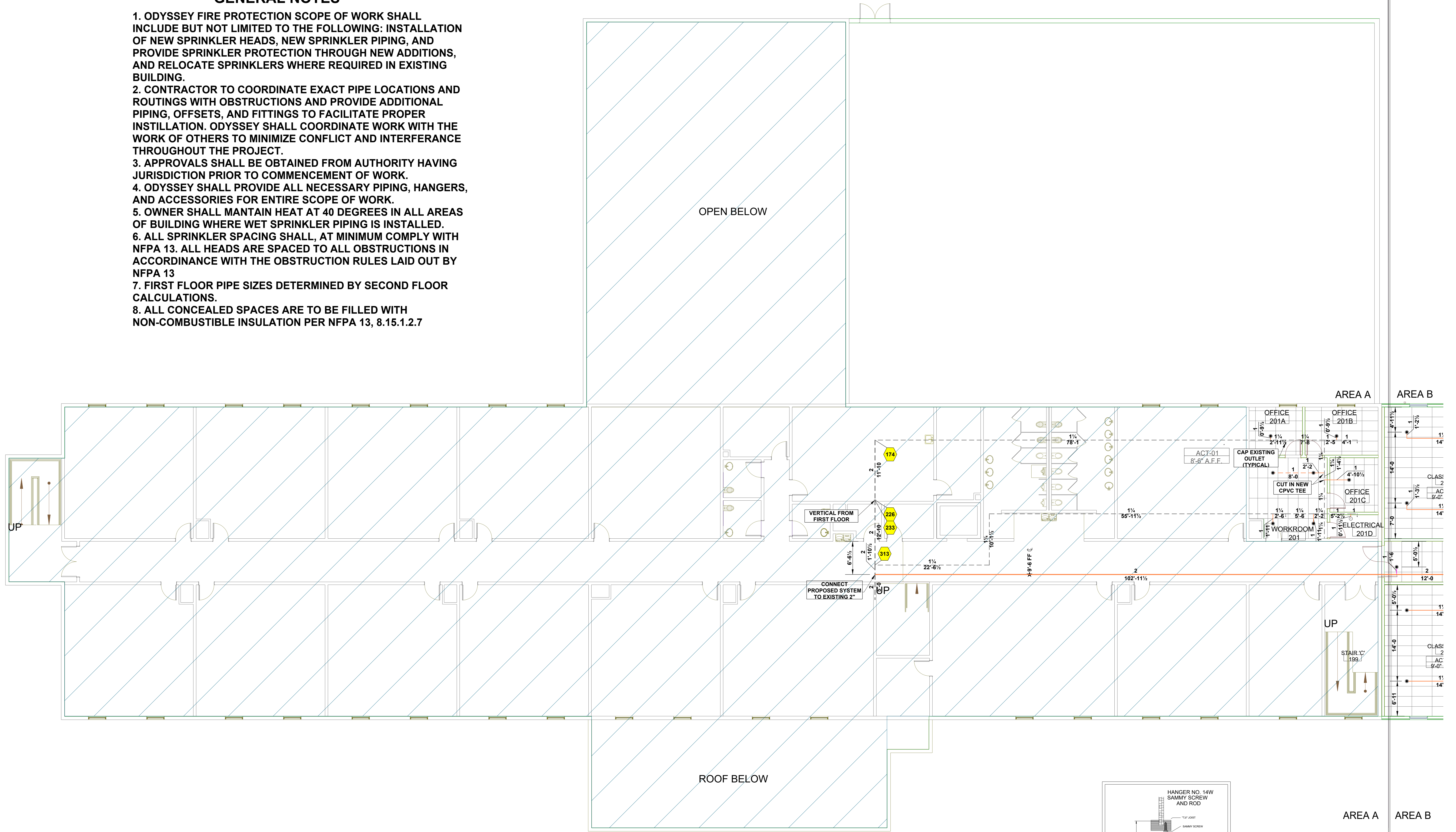


GENERAL NOTES	MATERIAL SPECIFICATION	HANGER SPACING	SCOPE OF WORK	WATER SUPPLY INFO	SPRINKLER DESIGN DATA	REVISIONS	PROJECT:		
DESIGN IS SUBJECT TO MINOR DEVIATIONS ARISING FROM FIELD CONDITIONS AND/OR TRADE COORDINATION. SUCH DEVIATIONS SHALL NOT AFFECT CODE COMPLIANCE OR SCOPE OF WORK. THIS DRAWING IS THE PROPERTY OF ODYSSEY FIRE PROTECTION, LLC AND IS NOT TO BE DUPLICATED WITHOUT WRITTEN AUTHORIZATION FROM ODYSSEY FIRE PROTECTION.	PIPE: SCH. 10 x 4.40 BLACK PIPE FITTINGS: C.I. THREADED, GROOVED, & FLANGED HANGERS: VARIES (SEE DETAILS)	MAX HANGER SPACING 1" - 1 1/4" 1 1/2" - 5" END OF LINE HANGER 1" 1 1/4" 1-1/2" + LARGER ARMORER HANGER 1"	MAX HANGER SPACING 3M" 1" 1 1/4" 2" END OF LINE HANGER 1" 1 1/4"	CPVC 5'-0" O.C. 6" O.C. 7" O.C. 8" O.C. 1" 1 1/4" 15'-4"	BY O.P.P. BY OTHERS CITY CONNECTION PUMP OR EQUIPMENT PADS VALVE PIT CONSTRUCTION ELECTRIC POWER WIRING ELECTRIC CONTROL WIRING ELECTRIC ALARM WIRING	BY OTHERS PAINTING OF PIPE SWIMMING TRENCHING & BACKFILLING HOSTING OF MATERIALS SETTING OF SLEEVES CUT/PATCH CONC. OR PAVING	TESTED BY: TIMMONS GROUP STATIC: 42 PSI RESIDUAL: 27 PSI FLOW: 600 GPM SOURCE: CITY DESIGNED PER: NFPA 13 (2013) SYSTEM TYPE: WET OCCUPANCY: V-2 SEISMIC DESIGN CATEGORY: B TOTAL SYSTEMS: 2 TOTAL SQ. FT.: 55,360 BUILDING HEIGHT: 30' CEILING HEIGHT: VARIES (SEE PLAN) # OF FLOORS IN CONTRACT: 2	# DATE BY DESCRIPTION 1 1/02/22 MB GYM LAYOUT CHANGE # CEILING CHANGE LEVEL 1 2 2 1/02/22 MB 3 3 1/02/22 MB 4 4 1/02/22 MB 5 5 1/02/22 MB 6 6 1/02/22 MB 7 7 1/02/22 MB 8 8 1/02/22 MB 9 9 1/02/22 MB	Carolina Charter Academy 8529 NC HWY 55 Angier, NC CONTRACT WITH: SWINERTON DRAWN BY: MATT BAYNE CHECKED BY: BAW DATE: 01/06/22 DATE: 01/06/22 CONTRACT #: 5896-21 NC LICENSE NO: 75-28597

ODYSSEY FIRE PROTECTION, LLC
 P.O. BOX 2 HARTSTAD, NC 28448
 (919) 330-6400 FAX (919) 330-6400
 NC LIC #7528597

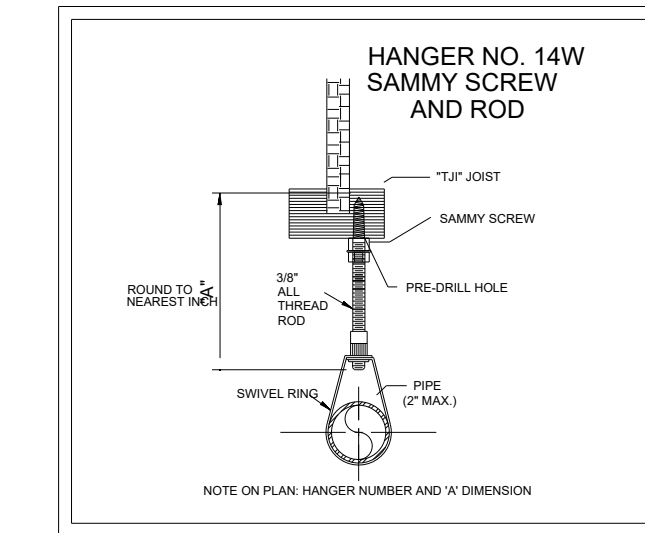
GENERAL NOTES

1. ODYSSEY FIRE PROTECTION SCOPE OF WORK SHALL INCLUDE BUT NOT LIMITED TO THE FOLLOWING: INSTALLATION OF NEW SPRINKLER HEADS, NEW SPRINKLER PIPING, AND PROVIDE SPRINKLER PROTECTION THROUGH NEW ADDITIONS, AND RELOCATE SPRINKLERS WHERE REQUIRED IN EXISTING BUILDING.
2. CONTRACTOR TO COORDINATE EXACT PIPE LOCATIONS AND ROUTINGS WITH OBSTRUCTIONS AND PROVIDE ADDITIONAL PIPING, OFFSETS, AND FITTINGS TO FACILITATE PROPER INSTALLATION. ODYSSEY SHALL COORDINATE WORK WITH THE WORK OF OTHERS TO MINIMIZE CONFLICT AND INTERFERENCE THROUGHOUT THE PROJECT.
3. APPROVALS SHALL BE OBTAINED FROM AUTHORITY HAVING JURISDICTION PRIOR TO COMMENCEMENT OF WORK.
4. ODYSSEY SHALL PROVIDE ALL NECESSARY PIPING, HANGERS, AND ACCESSORIES FOR ENTIRE SCOPE OF WORK.
5. OWNER SHALL MAINTAIN HEAT AT 40 DEGREES IN ALL AREAS OF BUILDING WHERE WET SPRINKLER PIPING IS INSTALLED.
6. ALL SPRINKLER SPACING SHALL, AT MINIMUM COMPLY WITH NFPA 13. ALL HEADS ARE SPACED TO ALL OBSTRUCTIONS IN ACCORDANCE WITH THE OBSTRUCTION RULES LAID OUT BY NFPA 13
7. FIRST FLOOR PIPE SIZES DETERMINED BY SECOND FLOOR CALCULATIONS.
8. ALL CONCEALED SPACES ARE TO BE FILLED WITH NON-COMBUSTIBLE INSULATION PER NFPA 13, 8.15.1.2.7



CAROLINA CHARTER ACADEMY SECOND FLOOR FIRE PROTECTION

SCALE: 1/8" = 1'-0"



Sprinkler Legend											
SYMBOL	MANUFACTURER	SIN	MODEL	QUANTITY	K-FACTOR	TYPE	SIZE	RESPONSE	FINISH	TEMPERATURE	NOTE
○	TYCO	TY3131	TY-FRB	1	5.6	UPRIGHT	1/2"	STANDARD	NATURAL BRASS	155°F	
●	TYCO	TY3231	TY-FRB	7	5.6	PENDENT	1/2"	QUICK	WHITE RAL 9003	155°F	
				TOTAL = 8							

ALL PIPE LENGTHS ON THIS DRAWING ARE CENTER TO CENTER.

NATIONAL INSTITUTE FOR CERTIFICATION
 IN ENGINEERING TECHNOLOGIES
 THE RECORD OF THIS ORGANIZATION SHOWS THAT
 ERIC W. WILLIAMS
 IS CERTIFIED IN THE TECHNICAL AREA OF
 AUTOMATIC SPRINKLER SYSTEMS DESIGN AND INSTALLATION REVISIONS VALID THRU
 00301 / LEVEL III 102352 02 / 01 / 2022

FOR PERMIT



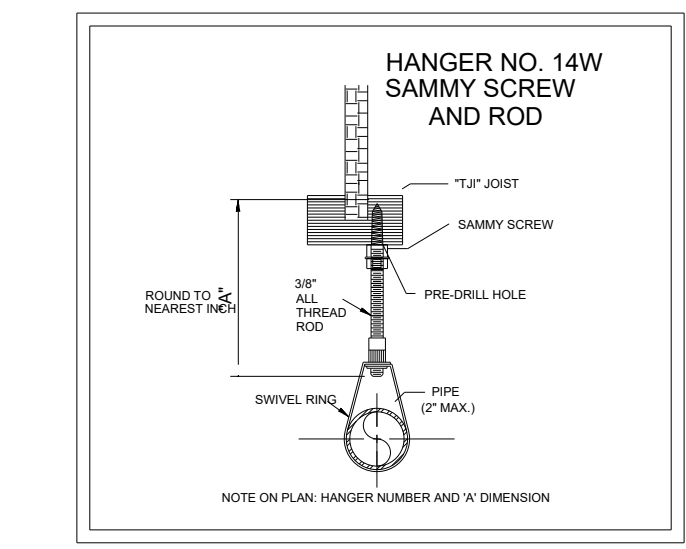
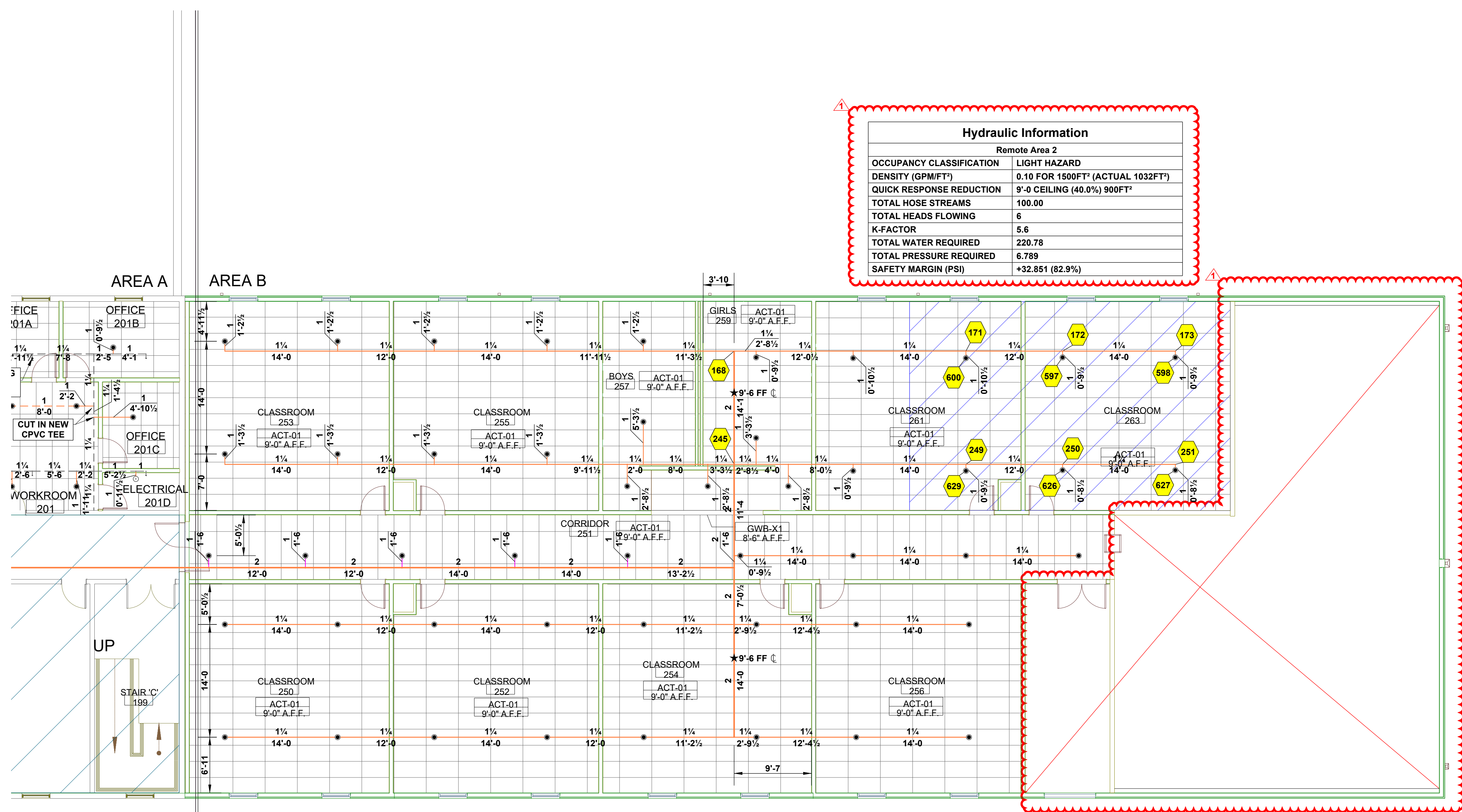
GENERAL NOTES	MATERIAL SPECIFICATION	HANGER SPACING	SCOPE OF WORK	WATER SUPPLY INFO	SPRINKLER DESIGN DATA	REVISIONS
DESIGN IS SUBJECT TO MINOR DEVIATIONS ARISING FROM FIELD CONDITIONS AND/OR TRADE COORDINATION. SUCH DEVIATIONS SHALL NOT AFFECT CODE COMPLIANCE OR SCOPE OF WORK. THIS DRAWING IS THE PROPERTY OF ODYSSEY FIRE PROTECTION, LLC AND IS NOT TO BE DUPLICATED WITHOUT WRITTEN AUTHORIZATION FROM ODYSSEY FIRE PROTECTION.	PIPE: SCH. 10 1/4 40 BLACK PIPE FITTINGS: C.I. THREADED, GROOVED, & FLANGED HANGERS: VARIES (SEE DETAILS)	MAX HANGER SPACING STEEL 1' - 1 1/4" 1 1/2" - 8" STEEL 1 1/4" 1" 1 1/4" 4" 1 1/2" + LARGER 5" STEEL 1" 1" 1"	MAX HANGER SPACING 3M" 1" 1 1/4" 2" END OF LINE HANGER 1" 1" 1"	CPVC 5'-0" O.C. 6" O.C. 7" O.C. 8" O.C. 1" 1" 15'-4" 2"	TESTED BY: TIMMONS GROUP DESIGNED PER: NFPA 13 (2013) SYSTEM TYPE: WET OCCUPANCY: V-2 HAZARD CLASSIFICATION: LIGHT HAZARD SEISMIC DESIGN CATEGORY: B	# TOTAL SYSTEMS: 2 TOTAL SQ. FT.: 55,360 BUILDING HEIGHT: 30' CEILING HEIGHT: VARIES (SEE PLAN) # OF FLOORS IN CONTRACT: 2

PROJECT: Carolina Charter Academy 8529 NC HWY 55 Angier, NC	DWG NO. FP2.1
CONTRACT WITH: SWINERTON	AREA SECOND FLOOR
DRAWN BY: MATT BAYNE	BLDG: 1 OF 1
CHECKED BY: BAW	DATE: 01/06/22
DATE: 01/06/22	CONTRACT #: 5896-21
NC LICENSE NO: 75-28597	
ODYSSEY FIRE PROTECTION, LLC	
P.O. BOX 2 HAMPSTEAD, NC 28443 (813) 370-6400 FAX (813) 370-6400 NC LIC #522897	

GENERAL NOTES

1. ODYSSEY FIRE PROTECTION SCOPE OF WORK SHALL INCLUDE BUT NOT LIMITED TO THE FOLLOWING: INSTALLATION OF NEW SPRINKLER HEADS, NEW SPRINKLER PIPING, AND PROVIDE SPRINKLER PROTECTION THROUGH NEW ADDITIONS, AND RELOCATE SPRINKLERS WHERE REQUIRED IN EXISTING BUILDING.
2. CONTRACTOR TO COORDINATE EXACT PIPE LOCATIONS AND ROUTINGS WITH OBSTRUCTIONS AND PROVIDE ADDITIONAL PIPING, OFFSETS, AND FITTINGS TO FACILITATE PROPER INSTALLATION. ODYSSEY SHALL COORDINATE WORK WITH THE WORK OF OTHERS TO MINIMIZE CONFLICT AND INTERFERENCE THROUGHOUT THE PROJECT.
3. APPROVALS SHALL BE OBTAINED FROM AUTHORITY HAVING JURISDICTION PRIOR TO COMMENCEMENT OF WORK.
4. ODYSSEY SHALL PROVIDE ALL NECESSARY PIPING, HANGERS, AND ACCESSORIES FOR ENTIRE SCOPE OF WORK.
5. OWNER SHALL MAINTAIN HEAT AT 40 DEGREES IN ALL AREAS OF BUILDING WHERE WET SPRINKLER PIPING IS INSTALLED.
6. ALL SPRINKLER SPACING SHALL, AT MINIMUM COMPLY WITH NFPA 13. ALL HEADS ARE SPACED TO ALL OBSTRUCTIONS IN ACCORDANCE WITH THE OBSTRUCTION RULES LAID OUT BY NFPA 13
7. FIRST FLOOR PIPE SIZES DETERMINED BY SECOND FLOOR CALCULATIONS.
8. ALL CONCEALED SPACES ARE TO BE FILLED WITH NON-COMBUSTIBLE INSULATION PER NFPA 13, 8.15.1.2.7

Hydraulic Information	
Remote Area 2	
OCCUPANCY CLASSIFICATION	LIGHT HAZARD
DENSITY (GPM/FT ²)	0.10 FOR 1500FT ² (ACTUAL 1032FT ²)
QUICK RESPONSE REDUCTION	9'-0" CEILING (40.0%) 900FT ²
TOTAL HOSE STREAMS	100.00
TOTAL HEADS FLOWING	6
K-FACTOR	5.6
TOTAL WATER REQUIRED	220.78
TOTAL PRESSURE REQUIRED	6.789
SAFETY MARGIN (PSI)	+32.851 (82.9%)



CAROLINA CHARTER ACADEMY SECOND FLOOR FIRE PROTECTION

SCALE: 1/8" = 1'-0"

Sprinkler Legend											
SYMBOL	MANUFACTURER	SIN	MODEL	QUANTITY	K-FACTOR	TYPE	SIZE	RESPONSE	FINISH	TEMPERATURE	NOTE
●	TYCO	TY3231	TY-FRB	48	5.6	PENDENT	1/2"	QUICK	WHITE RAL 9003	155°F	
				TOTAL = 48							

ALL PIPE LENGTHS ON THIS DRAWING ARE CENTER TO CENTER.

NATIONAL INSTITUTE FOR CERTIFICATION
IN ENGINEERING TECHNOLOGIES
THE RECORD OF THIS ORGANIZATION SHOWS THAT
ERIC W. WILLIAMS
IS CERTIFIED IN THE TECHNICAL AREA:
HYDRAULIC SPRINKLER SYSTEMS DESIGN AND INSTALLATION REVISIONS VALID THRU
00301 / LEVEL III 102352 02 / 01 / 2022

FOR PERMIT



GENERAL NOTES	MATERIAL SPECIFICATION	HANGER SPACING	SCOPE OF WORK	WATER SUPPLY INFO	SPRINKLER DESIGN DATA	REVISIONS
DESIGN IS SUBJECT TO MINOR DEVIATIONS ARISING FROM FIELD CONDITIONS AND/OR TRADE COORDINATION. SUCH DEVIATIONS SHALL NOT AFFECT CODE COMPLIANCE OR SCOPE OF WORK. THIS DRAWING IS THE PROPERTY OF ODYSSEY FIRE PROTECTION, LLC AND IS NOT TO BE DUPLICATED WITHOUT WRITTEN AUTHORIZATION FROM ODYSSEY FIRE PROTECTION.	PIPE: SCH. 10 4 40 BLACK PIPE FITTINGS: C.I. THREADED, GROOVED, & FLANGED HANGERS: VARIES (SEE DETAILS)	MAX HANGER SPACING 1" - 1 1/4" 1 1/2" - 8" END OF LINE HANGER 1" 1 1/4" 1 1/2" + LARGER HANGERS: STEEL 1" 1" > 2" HORIZONTAL 1 1/4" 1 1/2" + LARGER	MAX HANGER SPACING 3M 1" 1 1/4" 1 1/2" 2" END OF LINE HANGER 1" 1" 1 1/4" 1 1/2" + LARGER	BY O.P.P. BY OTHERS CITY CONNECTION FLAMP OR EQUIPMENT PADS VALVE PIT CONSTRUCTION ELECTRIC POWER WIRING ELECTRIC ALARM WIRING CUT/PATCH CONC. OR PAVING	TESTED BY: TIMMONS GROUP STATIC: 42 PSI RESIDUAL: 27 PSI FLOW: 600 GPM SOURCE: CITY DESIGNED PER: NFPA 13 (2013) SYSTEM TYPE: WET OCCUPANCY: V-2 HAZARD CLASSIFICATION: LIGHT HAZARD SEISMIC DESIGN CATEGORY: B TOTAL SYSTEMS: 2 TOTAL SQ. FT.: 55,360 BUILDING HEIGHT: 30' CEILING HEIGHT: VARIES (SEE PLAN) # OF FLOORS IN CONTRACT: 2	# DATE BY DESCRIPTION 1 1/0/22 MB GYM LAYOUT CHANGE # CEILING CHANGE LEVEL 1 2 2 2 3 3 4 4 5 5 6 6 7 7 8 8 9 9

PROJECT:	Carolina Charter Academy 8529 NC HWY 55 Angier, NC
CONTRACT WITH:	SWINERTON
DRAWN BY:	MATT BAYNE
CHECKED BY:	ENW
DATE:	01/06/22
CONTRACT #:	3896-21
AREA:	FF2.2
NC LICENSE NO.:	75-28597
ODYSSEY FIRE PROTECTION, LLC	
P.O. BOX 2 HAMPSTEAD, NC 28443 (919) 330-6400 FAX (919) 330-6400 NC LIC #7528597	