



Application for Plan Review

Application # FMAJ2009-0003

Date Received: 9-17-2020 Received By: K. Gibbons

Name of Project: I Love NY Pizza

Physical Address of Project: 21165 NC-24

Cameron, NC 28326

Plans Submitted By: J. Parrish

Project Phone: (____) - ____ - _____

Contact Person/Address: _____

Contact Email: _____

Contact Phone: (____) - ____ - _____ (____) - ____ - _____

Contractor's Name/Info: Parrish Fire and Safety Inc

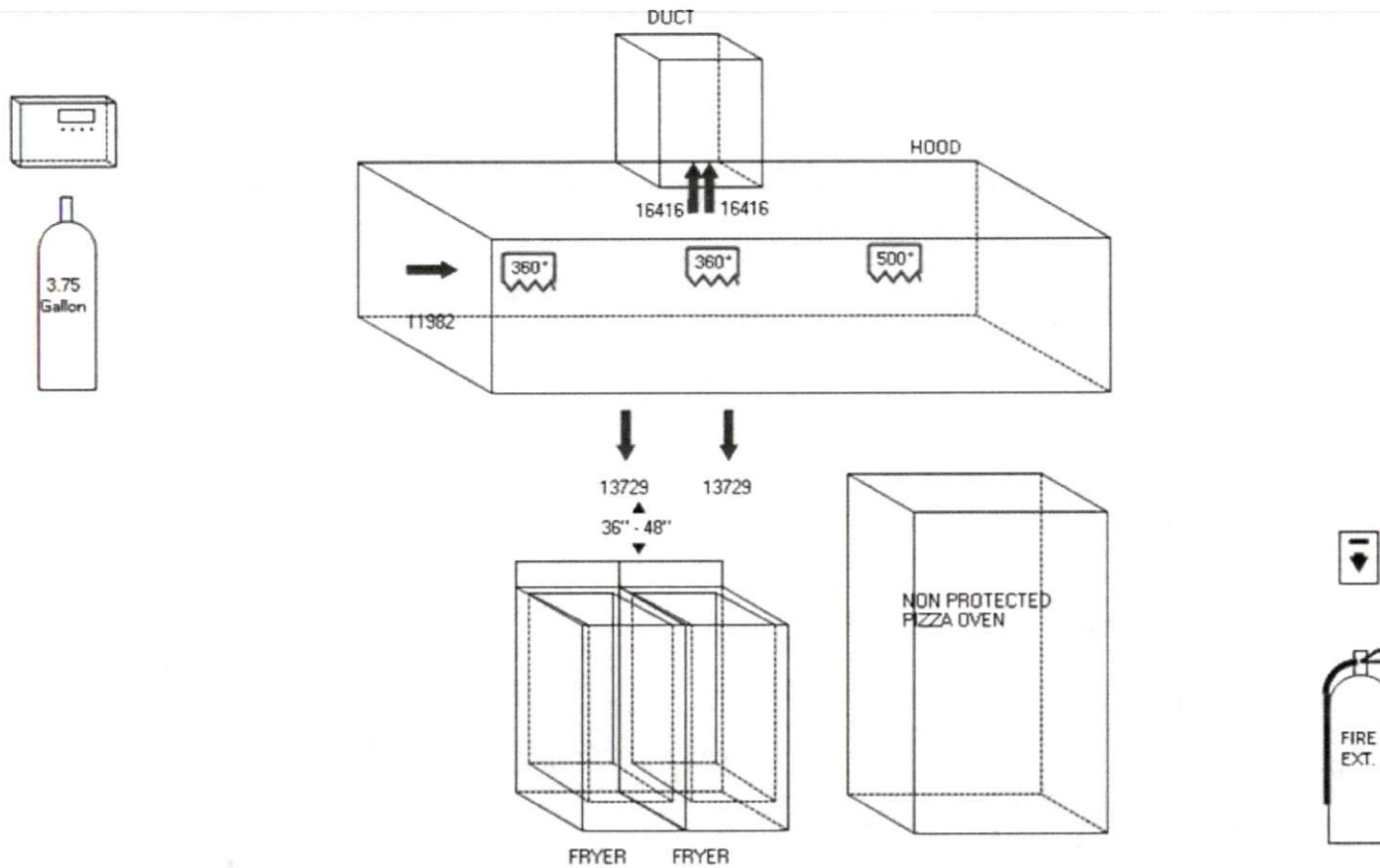
104 S. Railroad St

Benson, NC 27504

Contractor's Phone: (919) - 894 - 8495

- Plans that are submitted will be reviewed as quickly as possible with an average time of review between 7-10 working days.
- Status checks may be conducted on plan reviews by visiting the website <http://hteweb.harnett.org/Click2GovBP/Index.jsp> or by calling the Harnett County Central Permitting Office (910-893-7525, Option #2), or the Harnett County Fire Marshal's Office (910-893-7580).
- Approved plans must be picked up from the Central Permitting Office and all fees paid before any required inspections can be conducted.

Amerex Pre-Engineered Fire Suppression System



SCALE



Total System Flow Points = 11 : Flow Points Used = 7



Designed & Installed by:
 Parrish Fire and Safety Inc
 104 S. Railroad St
 Benson, NC 27504
 919-894-8495

For:
 I Love NY Pizza
 21165 NC-24
 Cameron, NC 28326

Designer: JP

Job: I Love NY Pizza

Date: 9/15/2020

Stamp

Fire Suppression System Design Specifications

Notes

- Upon activation an audible or visual indicator shall be provided.
- Fire Suppression System: Amerex Kitchen Protection UL300 as per attached specifications and drawings.
- All Electric work to be to be performed by the customer's Licensed Electrician.
- Exhaust shall remain on during system discharge.
- All nozzles shall have grease caps.
- A Class K fire extinguisher shall be located within 30' of the cooking area
- Piping is 3/8" black iron.
- Remote pull station shall be 48" above finished floor and in the path of egress.
- System shall have manual and automatic methods of actuation.
- A function test shall be witnessed by the fire department inspector prior to cooking.
- Upon activation of system all electrical & fuel must shut down.



Designed & Installed by:
Parrish Fire and Safety Inc
104 S. Railroad St
Benson, NC 27504
919-894-8495

For:
I Love NY Pizza
21165 NC-24
Cameron, NC 28326