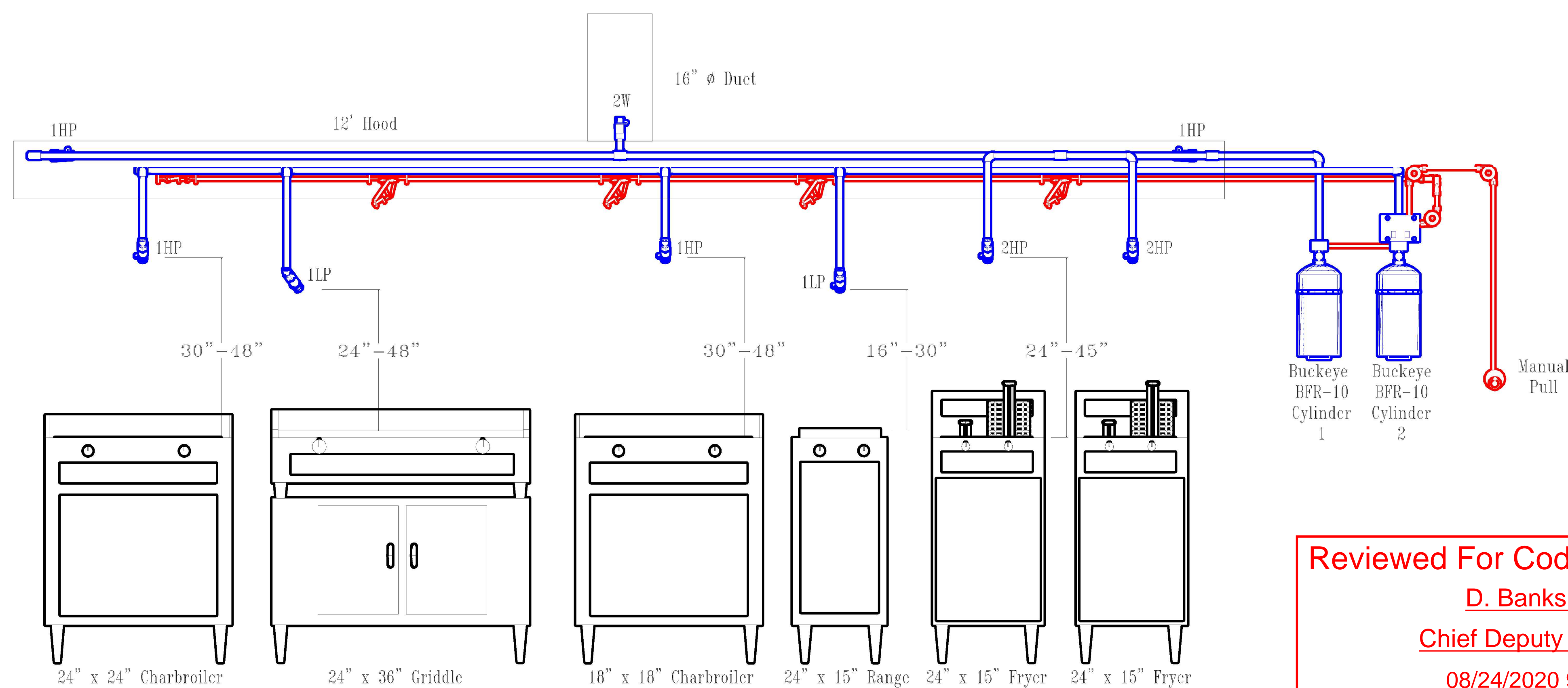


Notes

1. Electrical/Gas lines work by others.
2. Manual Pull located in path of egress.
3. All piping is 3/8" sch. 40 black.
4. Cylinder 1 has approximately 24' of 3/8" pipe = 900ml. Max allowed = 2500ml. (8 points used, 10 allowed)
5. Cylinder 2 has approximately 26' of 3/8" pipe = 975ml. Max allowed = 2500ml. (5 points used, 10 allowed)
6. Systems to be re-piped/modified to accommodate appliances.



Reviewed For Code Compliance By:
D. Banks Wallace
 Chief Deputy Fire Marshal
 08/24/2020 9:31:09 AM

REVISIONS			
No.	Date	By	Description

**T&S
FIRE AND SECURITY Inc.**
 3025 Randleman Rd.
 Greensboro, NC 27406
 (336)273-0859
 Protecting People and Property since 1975
 NC License SP.FA/LV.11040

JOB NAME Bourbon Street Bar & Grill 410 Pine Street Lillington, NC	
DESCRIPTION Wet-Chem Fire Suppression	
CONTRACT WITH Bourbon Street Bar & Grill	
JOB # 19385472	FILE NAME 19385472
DRAWN BY LEE CAUDILL ,CET Fire Alarm Systems, LEVEL III NICET #113371	DATE 8-4-2020 SCALE NTS
DWG # 1 of 1	